

30" (76.2 CM) AND 36" (91.4 CM) GAS DOWNDRAFT COOKTOP INSTALLATION INSTRUCTIONS

INSTRUCTIONS D'INSTALLATION DE LA TABLE DE CUISSON À GAZ À ASPIRATION PAR LE BAS DE 30" (76,2 CM) ET DE 36" (91,4 CM)

Table of Contents/Table des matières

COOKTOP SAFETY	1	SÉCURITÉ DE LA TABLE DE CUISSON	15
INSTALLATION REQUIREMENTS	3	EXIGENCES D'INSTALLATION	16
Tools and Parts.....	3	Outillage et pièces.....	16
Location Requirements.....	3	Exigences d'emplacement.....	16
Venting Requirements.....	6	Exigences concernant l'évacuation.....	18
Venting Methods	7	Méthodes d'évacuation	19
Electrical Requirements	8	Spécifications électriques.....	21
Gas Supply Requirements	9	Spécifications de l'alimentation en gaz	21
INSTALLATION INSTRUCTIONS	10	INSTRUCTIONS D'INSTALLATION	23
Prepare Cooktop.....	10	Préparation de la table de cuisson	23
Install Cooktop	11	Installation de la table de cuisson.....	24
Make Gas Connection	12	Raccordement au gaz.....	25
Attach Cooktop to Countertop	13	Fixation de la table de cuisson au plan de travail.....	26
Electronic Ignition System	13	Système d'allumage électronique.....	27
Complete Installation	14	Achever l'installation	27

COOKTOP SAFETY

Your safety and the safety of others are very important.

We have provided many important safety messages in this manual and on your appliance. Always read and obey all safety messages.



This is the safety alert symbol.

This symbol alerts you to potential hazards that can kill or hurt you and others.

All safety messages will follow the safety alert symbol and either the word "DANGER" or "WARNING."

These words mean:

⚠ DANGER

You can be killed or seriously injured if you don't immediately follow instructions.

⚠ WARNING

You can be killed or seriously injured if you don't follow instructions.

All safety messages will tell you what the potential hazard is, tell you how to reduce the chance of injury, and tell you what can happen if the instructions are not followed.

IMPORTANT:

Installer: Leave installation instructions with the homeowner.

Homeowner: Keep installation instructions for future reference.

IMPORTANT :

Installateur : Remettre les instructions d'installation au propriétaire.

Propriétaire : Conserver les instructions d'installation pour référence ultérieure.

WARNING: If the information in these instructions is not followed exactly, a fire or explosion may result causing property damage, personal injury or death.

- Do not store or use gasoline or other flammable vapors and liquids in the vicinity of this or any other appliance.
- **WHAT TO DO IF YOU SMELL GAS:**
 - Do not try to light any appliance.
 - Do not touch any electrical switch.
 - Do not use any phone in your building.
 - Immediately call your gas supplier from a neighbor's phone. Follow the gas supplier's instructions.
 - If you cannot reach your gas supplier, call the fire department.
- Installation and service must be performed by a qualified installer, service agency or the gas supplier.

WARNING: Gas leaks cannot always be detected by smell.
Gas suppliers recommend that you use a gas detector approved by UL or CSA.
For more information, contact your gas supplier.
If a gas leak is detected, follow the "What to do if you smell gas" instructions.

IMPORTANT: Do not install a ventilation system that blows air downward toward this gas cooking appliance. This type of ventilation system may cause ignition and combustion problems with this gas cooking appliance resulting in personal injury or unintended operation.

In the State of Massachusetts, the following installation instructions apply:

- Installations and repairs must be performed by a qualified or licensed contractor, plumber, or gasfitter qualified or licensed by the State of Massachusetts.
- If using a ball valve, it shall be a T-handle type.
- A flexible gas connector, when used, must not exceed 3 feet.

INSTALLATION REQUIREMENTS

Tools and Parts

Gather the required tools and parts before starting installation. Read and follow the instructions provided with any tools listed here.

Tools needed

- Tape measure
- Flat-blade screwdriver
- Phillips head screwdriver
- Drill
- Level
- 6" (15.2 cm) socket extension
- Marker or pencil
- Pliers
- ¼" drill bit
- Jigsaw
- Ratchet with ⅜" socket
- Pipe-joint compound resistant to LP gas
- Noncorrosive leak-detection solution
- ¼" nut driver

Parts supplied

- Vent grill
- Pre-filter
- LP conversion kit
- Burner caps
- Burner grates
- Plenum
- Plenum screw pack
- Downdraft motor assembly
- Clamping brackets (2)
- Bracket attachment screws (2)
- #10-16 x 3.0" clamping screws

Parts needed

- Metal ducting
 - Vent clamps
 - Wall cap
 - 6" (15.2 cm) Round Surface Wall Cap Damper Order Part Number A406
 - 3¼" x 10" (8.3 cm x 25.4 cm) Surface Wall Cap Damper Order Part Number A403
- To order, see the "Assistance or Service" section of the Use and Care Guide.

Check local codes and consult gas supplier. Check existing gas supply and electrical supply. See the "Electrical Requirements" and "Gas Supply Requirements" sections.

It is recommended that all electrical connections be made by a licensed, qualified electrical installer.

Location Requirements

IMPORTANT: Observe all governing codes and ordinances. When installing cooktop, use minimum dimensions given.

- It is the installer's responsibility to comply with installation clearances specified on the model/serial/rating plate. The model/serial/rating plate is located on the bottom of the cooktop.
- The cooktop should be installed in a location away from strong draft areas, such as windows, doors, and strong heating vents or fans.
- All openings in the wall or floor where cooktop is to be installed must be sealed.
- Cabinet opening dimensions that are shown must be used. Given dimensions are minimum clearances.
- Grounded electrical supply is required. See the "Electrical Requirements" section. Proper gas supply connection must be available. See the "Gas Supply Requirements" section.
- The cooktop is designed to hang from the countertop by its side or rear flanges.
- The gas and electric supply should be located as shown in the "Cabinet Dimensions" section so that they are accessible without requiring removal of the cooktop.
- Provide cutout in right rear corner of cabinet enclosure as shown to provide clearance for gas inlet and power supply cord.
- If cabinet has drawers, drawers will need to be removed and drawer fronts installed on front of cabinet.

IMPORTANT: An undercounter built-in oven cannot be installed under this product.

IMPORTANT: To avoid damage to your cabinets, check with your builder or cabinet supplier to make sure that the materials used will not discolor, delaminate, or sustain other damage. This cooktop has been designed in accordance with the requirements of UL and CSA International and complies with the maximum allowable wood cabinet temperatures of 194°F (90°C).

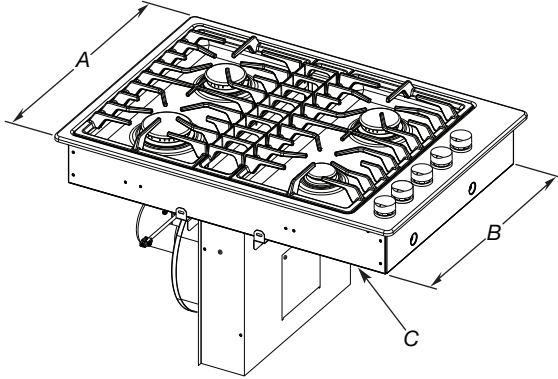
Mobile Home - Additional Installation Requirements

The installation of this cooktop must conform to the Manufactured Home Construction and Safety Standard, Title 24 CFR, Part 3280 (formerly the Federal Standard for Mobile Home Construction and Safety, Title 24, HUD Part 280). When such standard is not applicable, use the Standard for Manufactured Home Installations, ANSI A225.1/NFPA 501A or local codes.

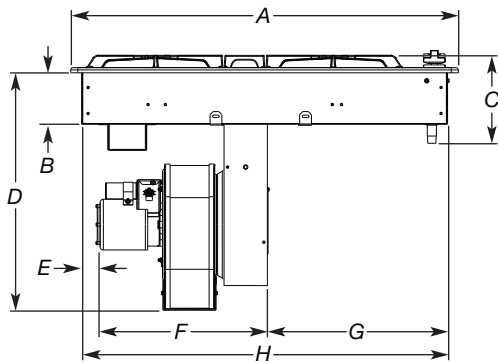
In Canada, the installation of this cooktop must conform with the current standards CAN/CSA-A240-latest edition, or with local codes.

Product Dimensions

30" (76.2 cm) Cooktop

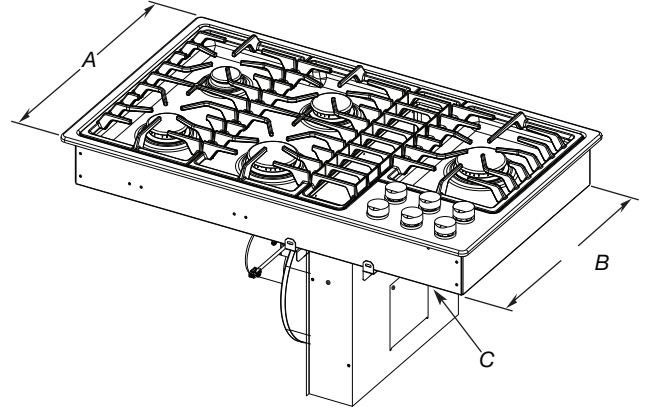


- A. 21¹/₂" (54.6 cm)
- B. 19¹/₁₆" (50.0 cm)
- C. Model/serial/rating plate location

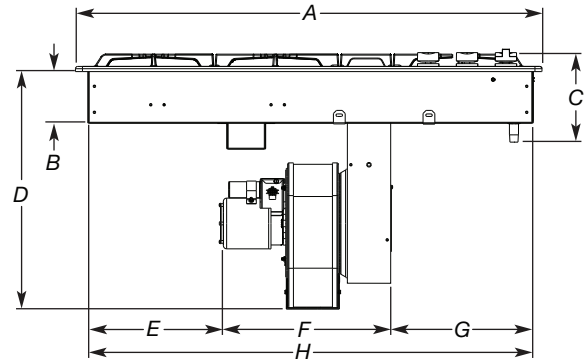


- A. 30" (76.2 cm)
- B. 4" (10.2 cm)
- C. 6¹⁹/₃₂" (16.8 cm)
- D. 18⁷/₁₆" (46.8 cm)
- E. 1¹¹/₁₆" (4.3 cm)
recommended
minimum cabinet
to motor clearance
- F. 12¹/₂" (31.8 cm)
- G. 14" (35.6 cm)
- H. 28¹/₄" (71.4 cm)

36" (91.4 cm) Cooktop

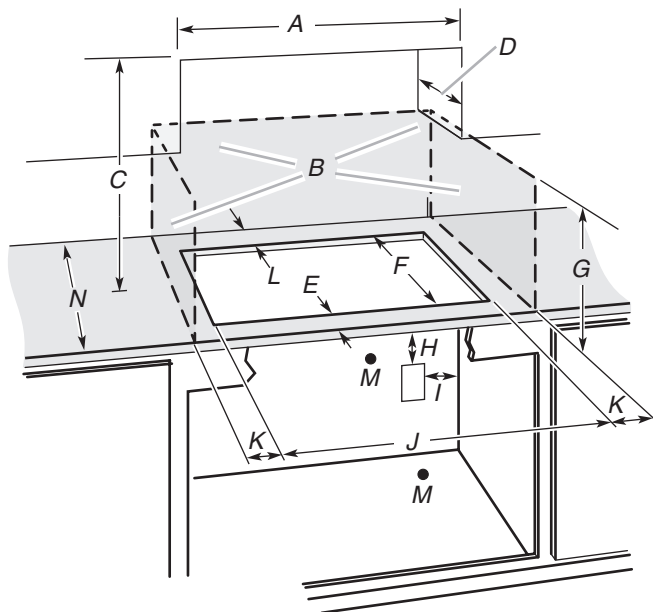


- A. 21¹/₂" (54.6 cm)
- B. 19¹/₁₆" (50.0 cm)
- C. Model/serial/rating plate location



- A. 36" (91.4 cm)
- B. 4" (10.2 cm)
- C. 6¹⁹/₃₂" (16.8 cm)
- D. 18⁷/₁₆" (46.8 cm)
- E. 10³/₈" (26.4 cm)
recommended
minimum cabinet
to motor clearance
- F. 12¹/₂" (31.8 cm)
- G. 13" (33.0 cm)
- H. 34³/₈" (87.3 cm)

Cabinet Dimensions

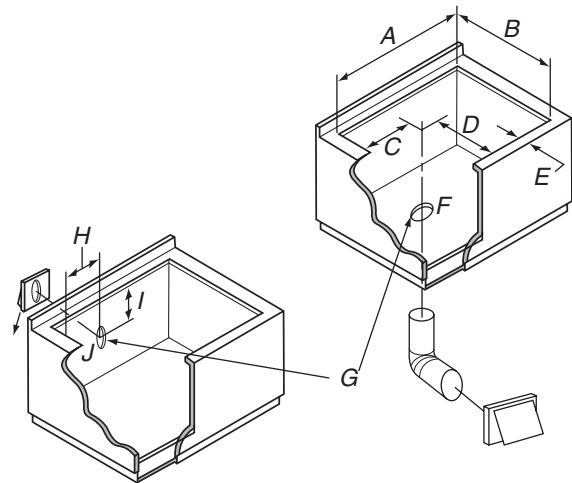


- A. 30" (76.2 cm) on 30" (76.2 cm) models
36" (91.4 cm) on 36" (91.4 cm) models
- B. Combustible area above countertop (shown by dashed box above)
- C. 30" (76.2 cm) minimum clearance between top of cooktop platform and bottom of uncovered wood or metal cabinet (24" [61.0 cm] minimum clearance if bottom of wood or metal cabinet is covered by not less than 1/4" [0.6 cm] flame-retardant millboard covered with not less than No. 28 MSG sheet steel, 0.015" [0.04 cm] stainless steel, 0.024" [0.06 cm] aluminum, or 0.020" [0.05 cm] copper)
- D. 13" (33.0 cm) recommended upper cabinet depth
- E. 2 1/8" (5.4 cm)
- F. 19 15/16" (50.6 cm)
- G. 18" (45.7 cm) minimum clearance from upper cabinet to countertop within minimum horizontal clearances to cooktop
- H. Junction box or outlet: 12" (30.5 cm) minimum from bottom of countertop
- I. Junction box or outlet: 10" (25.4 cm) from right-hand side of cabinet
- J. 28 5/8" (72.7 cm) on 30" (76.2 cm) models
34 3/4" (88.3 cm) on 36" (91.4 cm) models
- K. 6" (15.2 cm) minimum distance to nearest left and right side combustibles above cooktop
- L. 2" (5.1 cm) minimum clearance between back wall and countertop cutout
- M. Gas line opening - Wall: anywhere 6" (15.2 cm) below underside of countertop. Cabinet floor: anywhere within 6" (15.2 cm) of rear wall is recommended.
- N. 25" (63.5 cm) depth of countertop

NOTE: After making the countertop cutout, some installations may require notching down the base cabinet side walls to clear the cooktop base. To avoid this modification, use a base cabinet with sidewalls wider than the cutout.

- A minimum side clearance of 6" (15.2 cm) is recommended between side of cooktop and side wall for maximum ventilation performance.

Cutout Dimensions



- A. 28 5/8" (72.7 cm) maximum on 30" (76.2 cm) models
34 3/4" (88.3 cm) maximum on 36" (91.4 cm) models
- B. 19 15/16" (50.6 cm) maximum on both 30" (76.2 cm) and 36" (91.4 cm) models
- C. 8 1/2" (21.6 cm) on 30" (76.2 cm) models
17 1/2" (44.4 cm) on 36" (91.4 cm) models
- D. 5 3/4" (14.6 cm) on both 30" (76.2 cm) and 36" (91.4 cm) models
- E. 2 1/8" (5.4 cm) minimum space to front edge of cooktop
- F. Floor exhaust option
- G. 6 1/8" (15.6 cm) for 6" vent system
- H. 8 1/2" (21.6 cm) on 30" (76.2 cm) models
17 1/2" (44.4 cm) on 36" (91.4 cm) models
- I. 16" (40.6 cm) on both 30" (76.2 cm) and 36" (91.4 cm) models
- J. Wall exhaust option

Venting Requirements

IMPORTANT: This cooktop must be exhausted outdoors unless using the Duct-Free Filter Accessory Kit. See the “Venting Methods” section.

- Do not terminate the vent system in an attic or other enclosed area.
- Use a vent cap.
- Vent system must terminate to the outside.
- Use only a 6" (15.2 cm) round metal vent. Rigid metal vent is recommended. For best performance, do not use plastic or metal foil vent.
- Before making cutouts, make sure there is proper clearance within the wall or floor for the exhaust vent.
- Do not cut a joist or stud unless absolutely necessary. If a joist or stud must be cut, then a supporting frame must be constructed.
- The size of the vent should be uniform.
- The vent system must have a damper.
- Use vent clamps to seal all joints in the vent system.
- Use caulking to seal exterior wall or roof opening around the cap.
- Determine which venting method is best for your application.

For Best Performance:

- Use 26-gauge minimum galvanized or 25-gauge minimum aluminum metal vent. Poor quality pipe fittings can reduce airflow. Flexible metal vent is not recommended.
NOTE: Local codes may require a heavier gauge material.
- Metal duct may be reduced to 30-gauge galvanized steel or 26-gauge aluminized steel if allowed by local codes. This reduction is based on information in the International Residential Codes Section M1601.1 (2006 edition).
- Do not install 2 elbows together.
- Use no more than three 90° elbows.
- If an elbow is used, install it as far away as possible from the vent motor exhaust opening.
- Make sure there is a minimum of 18" (45.7 cm) of straight vent between the elbows if more than 1 elbow is used.
- Elbows too close together can cause excess turbulence that reduces airflow.
- Do not use a 5" (12.7 cm) elbow in a 6" (15.2 cm).
- Do not reduce to a 5" (12.7 cm) system after using 6" (15.2 cm).
- Avoid forming handmade crimps. Handmade crimps may restrict airflow.
- Use a vent cap for proper performance. If an alternate wall or roof cap is used, be certain the cap size is not reduced and that it has a backdraft damper.
- Use vent clamps to seal all joints in the vent system.
- Use caulking to seal exterior wall or roof opening around the cap.

The length of vent system and number of elbows should be kept to a minimum to provide efficient performance.

The maximum equivalent length of the vent system is 60 ft (18.3 m). For altitudes above 4,500 ft (1272 m), reduce recommended vent run by 20% for best performance.

Cold Weather Installations

An additional backdraft damper should be installed to minimize backward cold airflow.

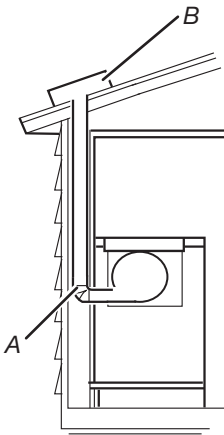
Makeup Air

Local building codes may require the use of makeup air systems when using ventilation systems greater than specified CFM of air movement. The specified CFM varies from locale to locale. Consult your HVAC professional for specific requirements in your area.

Venting Methods

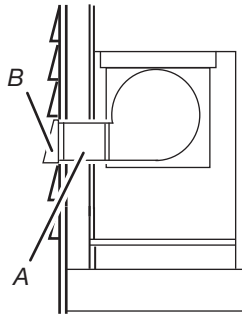
Common venting methods are shown for a counter-mounted downdraft cooktop. The cooktop may be vented through the wall or floor.

Option 1 - Roof Venting



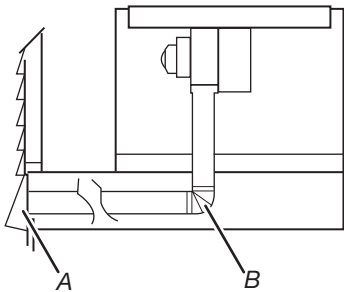
- A. 6" (15.2 cm) round roof venting
- B. Roof cap

Option 2 - Wall Venting



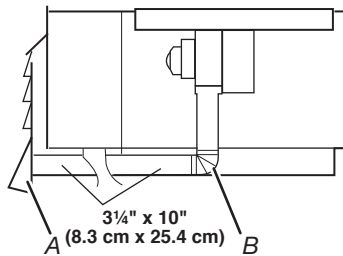
- A. 6" (15.2 cm) round wall venting
- B. Wall cap

Option 3 - Venting Between Floor Joist



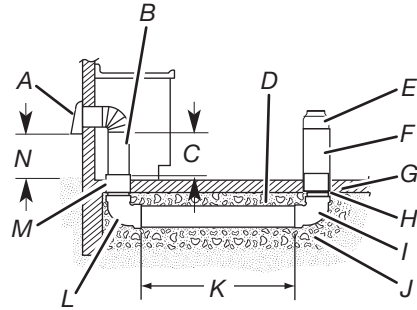
- A. Wall cap
- B. 6" (15.2 cm) round wall venting

Option 4 - Venting Behind Cabinet Kick Plate



- A. Wall cap
- B. 6" (15.2 cm) round wall venting

Concrete Slab Installations - Exhaust Through Wall







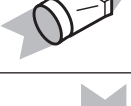
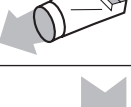
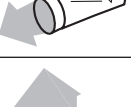
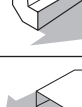
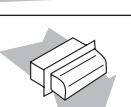

- A. Wall cap
- B. 6" (15.2 cm) round metal vent
- C. 16" (40.6 cm) maximum
- D. 6" (15.2 cm) round PVC sewer pipe
- E. 6" (15.2 cm) round metal duct
- F. 6" (15.2 cm) round PVC coupling
- G. Concrete slab
- H. 6" (15.2 cm) round PVC sewer pipe
- I. 6" (15.2 cm) round 90° PVC sewer pipe elbow
- J. Tightly pack gravel or sand completely around pipe.
- K. 30 ft (9.1 m) max.
- L. 6" (15.2 cm) round 90° PVC sewer pipe elbow
- M. 6" (15.2 cm) round PVC coupling
- N. 12" (30.5 cm) minimum

Duct-Free Filter Accessory Kit

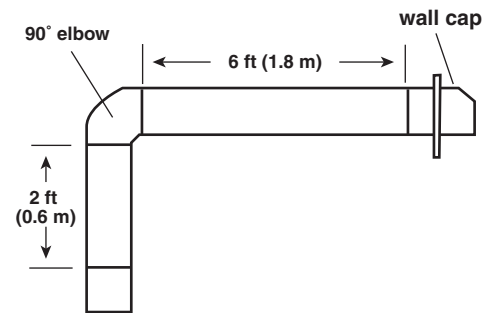
The Duct-Free Filter Accessory Kit Part Number JDA7000WX is now available. Duct-Free Filter Accessory Kit is ideal for both new construction and kitchen renovation projects because it provides an easy alternative to the installation of metal ducting and venting in the downdraft system outside the home. The kit includes all required hardware, 1 filter, and complete installation instructions. Replacement Filter Part Number W10177003 is available.

Calculating Vent System Length

To calculate the length of the system you need, add the equivalent feet (meters) for each vent piece used in the system.

Vent Piece	6" (15.2 cm) Round	
45° elbow	2.5 ft (0.8 m)	
90° elbow	5.0 ft (1.5 m)	
6" (15.2 cm) wall cap	0.0 ft (0.0 m)	
3 1/4" x 10" (8.3 cm x 25.4 cm) to 6" (15.2 cm) transition	4.5 ft (1.4 m)	
6" (15.2 cm) to 3 1/4" x 10" (8.3 cm x 25.4 cm) transition	1 ft (0.3 m)	
3 1/4" x 10" (8.3 cm x 25.4 cm) to 6" (15.2 cm) 90° elbow transition	5.0 ft (1.5 m)	
6" (15.2 cm) to 3 1/4" x 10" (8.3 cm x 25.4 cm) 90° elbow transition	5.0 ft (1.5 m)	
3 1/4" x 10" (8.3 cm x 25.4 cm) 90° elbow	5.0 ft (1.5 m)	
3 1/4" x 10" (8.3 cm x 25.4 cm) flat elbow	12.0 ft (3.7 m)	
3 1/4" x 10" (8.3 cm x 25.4 cm) wall cap	0.0 ft (0.0 m)	

Example vent system



1 - 90° elbow	= 5 ft (1.5 m)
8 ft (2.4 m) straight	= 8 ft (2.4 m)
1 - wall cap	= 0 ft (0 m)
System length	= 13 ft (3.9 m)

NOTE: Flexible vent is not recommended. Flexible vent creates back pressure and air turbulence that greatly reduce performance.

Electrical Requirements

IMPORTANT: The cooktop must be electrically grounded in accordance with local codes and ordinances, or in the absence of local codes, with the National Electrical Code, ANSI/NFPA 70 or Canadian Electrical Code, CSA C22.1.

This cooktop is equipped with an electronic ignition system that will not operate if plugged into an outlet that is not properly polarized.

If codes permit and a separate ground wire is used, it is recommended that a qualified electrical installer determine that the ground path is adequate.

A copy of the above code standards can be obtained from:

National Fire Protection Association
1 Batterymarch Park
Quincy, MA 02169-7471

CSA International
8501 East Pleasant Valley Road
Cleveland, Ohio 44131-5575

- A 120-volt, 60 Hz, AC-only, 15-amp, fused electrical circuit is required. A time-delay fuse or circuit breaker is also recommended. It is recommended that a separate circuit serving only this cooktop be provided.
- Electronic ignition systems operate within wide voltage limits, but proper grounding and polarity are necessary. Check that the outlet provides 120-volt power and is correctly grounded.
- The wiring diagrams are provided with this cooktop. See "Wiring Diagrams" on a separate sheet. The wiring diagrams are located on the underside of the cooktop base.
- This gas cooktop is not required to be plugged into a GFCI- (Ground-Fault Circuit Interrupter) outlet or AFCI- (Arc Fault Circuit Interrupter) type circuit breaker. It is recommended that you not plug an electric spark ignition gas cooktop or any other major appliance into a GFCI wall outlet or an AFCI-type circuit breaker as it may cause these types of circuit breakers to trip during normal cycling.
- Performance of this cooktop will not be affected if operated on a GFCI/AFCI-protected circuit. However, occasional nuisance tripping of the GFCI breaker is possible due to the normal operating nature of electronic gas cooktops.

Gas Supply Requirements

⚠ WARNING



Explosion Hazard

Use a new CSA International approved gas supply line.

Install a shut-off valve.

Securely tighten all gas connections.

If connected to LP, have a qualified person make sure gas pressure does not exceed 14" (36 cm) water column.

Examples of a qualified person include:

licensed heating personnel,
authorized gas company personnel, and
authorized service personnel.

Failure to do so can result in death, explosion, or fire.

Observe all governing codes and ordinances.

IMPORTANT: This installation must conform with all local codes and ordinances. In the absence of local codes, installation must conform with American National Standard, National Fuel Gas Code ANSI Z223.1 - latest edition or CAN/CGA B149 - latest edition.

IMPORTANT: Leak testing of the cooktop must be conducted according to the manufacturer's instructions.

Type of Gas

Natural Gas:

This cooktop is factory set for use with Natural gas. If converting to LP gas, see the "LP Gas Conversion" instructions provided in the package containing literature. The model/serial/rating plate located on bottom of the cooktop has information on the types of gas that can be used. If the types of gas listed do not include the type of gas available, check with the local gas supplier.

LP Gas Conversion:

Conversion must be done by a qualified service technician.

No attempt shall be made to convert the cooktop from the gas specified on the model/serial/rating plate for use with a different gas without consulting the serving gas supplier. See the "Gas Conversion" instructions provided in the package containing literature.

Gas Supply Line

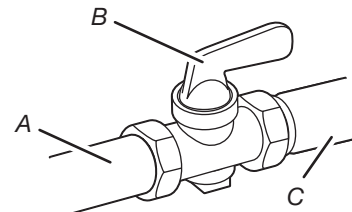
- Provide a gas supply line of 3/4" (1.9 cm) rigid pipe to the cooktop location. A smaller size pipe on longer runs may result in insufficient gas supply. Pipe-joint compounds that resist the action of LP gas must be used. Do not use TEFLON[†] tape. With LP gas, piping or tubing size should be 1/2" minimum. Usually, LP gas suppliers determine the size and materials used in the system.

Flexible metal appliance connector:

- If local codes permit, use a 1/2" or 3/4" I.D. flexible stainless steel tubing gas connector, designed by CSA to connect the cooktop to the rigid gas supply line.



- A 1/2" male pipe thread is needed for connection to the female pipe threads of the inlet to the cooktop pressure regulator.
- Do not kink or damage the flexible metal tubing when moving the cooktop.
- Must include a shut-off valve:
The supply line must be equipped with a manual shut-off valve. This valve should be located in the same room. It must be accessible without removing the cooktop, and it should be in a location that allows ease of opening and closing. Do not block access to shut-off valve. The valve is for turning on or shutting off gas to the cooktop.



A. Gas supply line
B. Shut-off valve open position
C. To cooktop

Gas Pressure Regulator

The gas pressure regulator supplied with this cooktop must be used. The inlet pressure to the regulator should be as follows for proper operation:

Natural Gas:

Minimum pressure: 5" (12.7 cm) WCP

Maximum pressure: 7" to 14" (17.8 cm to 35.5 cm) WCP

LP Gas:

Minimum pressure: 10" (25.4 cm) WCP

Maximum pressure: 14" (35.5 cm) WCP

Contact local gas supplier if you are not sure about the inlet pressure.

Burner Input Requirements

Input ratings shown on the model/serial/rating plate are for elevations up to 2,000 ft (609.6 m).

For elevations above 2,000 ft (609.6 m), ratings should be reduced at a rate of 4% for each 1,000 ft (304.8 m) above sea level (not applicable for Canada).

Gas Supply Pressure Testing

Gas supply pressure for testing regulator must be at least 1" water column pressure above the manifold pressure shown on the model/serial/rating plate.

Line pressure testing above 1/2 psi gauge (14" WCP)

The cooktop and its individual shut-off valve must be disconnected from the gas supply piping system during any pressure testing of that system at test pressures in excess of 1/2 psi (3.5 kPa).

Line pressure testing at 1/2 psi gauge (14" WCP) or lower

The cooktop must be isolated from the gas supply piping system by closing its individual manual shut-off valve during any pressure testing of the gas supply piping system at test pressures equal to or less than 1/2 psi (3.5 kPa).

[†]TEFLON is a registered trademark of Chemours.

INSTALLATION INSTRUCTIONS

Prepare Cooktop

Decide on the final location for the cooktop.

WARNING

Excessive Weight Hazard

Use two or more people to move and install cooktop.

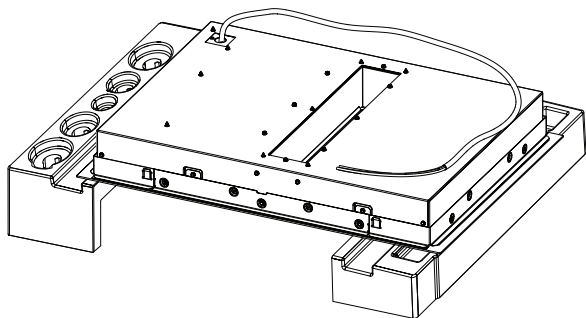
Failure to do so can result in back or other injury.

IMPORTANT: Do not cut top of product packaging. This may damage the product.

1. Open product as instructed on product packaging.
2. Remove all items from both sides of the foam and set aside. Take out packaging foam and set aside to lay cooktop on.

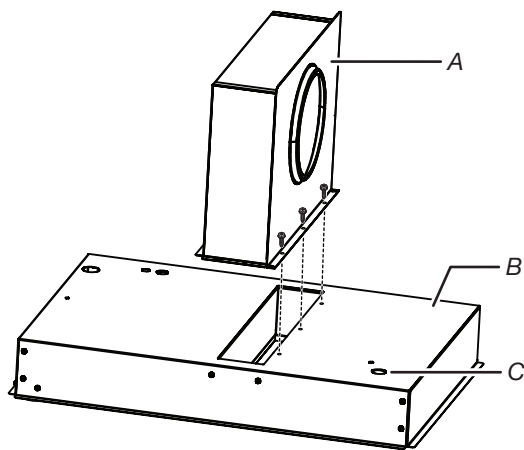
IMPORTANT: Do not place packaging foam on knobs.

3. Using 2 or more people, remove cooktop and place the cooktop upside down on the packaging foam, making sure the knobs are not laid on the foam.



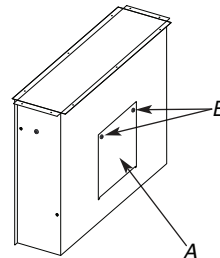
4. Remove plenum and plenum screw pack (in the literature bag).
5. Remove downdraft motor assembly.
6. Place plenum on bottom of cooktop with round opening to the motor wire harness.

NOTE: All holes are pre-drilled. If all 6 holes do not line up, reverse plenum.



A. Plenum
B. Cooktop
C. Motor wire harness

7. Using a 1/4" nut driver, screw in the 6 screws from the literature pack to attach plenum.
8. Remove access panel from plenum using a 1/4" nut driver and set aside.

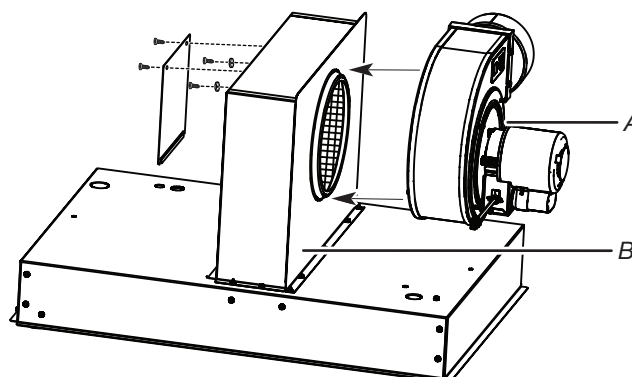


A. Access panel
B. 2 screws

9. Remove 4 locking nuts and 4 washers from literature bag.

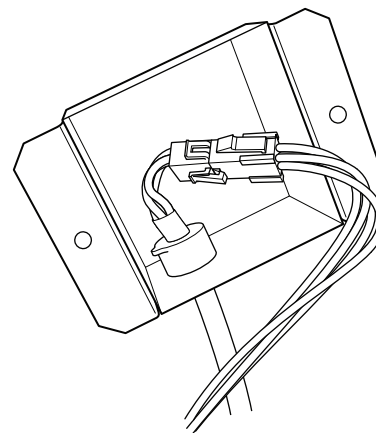
NOTE: Remove the 4 protective caps from the motor mounting posts.

10. Place blower motor on plenum.

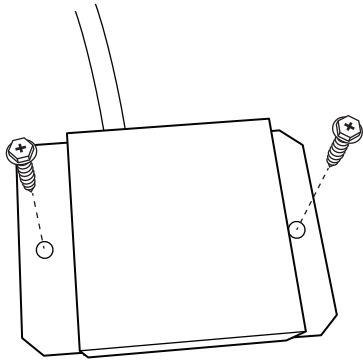


A. Blower motor
B. Plenum

11. Install and finger-tighten the 4 washers and locking nuts that were removed through the opening of the motor access panel. Do not over-tighten to allow for motor to rotate.
12. Connect blower electrical connector to cooktop.



- Using a 1/4" nut driver, screw the electrical junction cover to the burner box with 2 screws.



- Remove the 2 screws located in each side of the cooktop burner box.

Install Cooktop

Install the pressure regulator to cooktop before installing the cooktop into the cabinet. See the "Make Gas Connection" section.

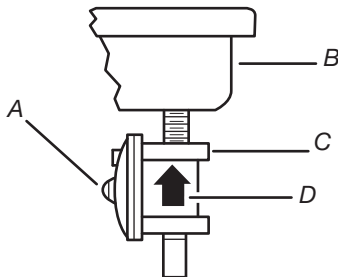
WARNING

Excessive Weight Hazard

Use two or more people to move and install cooktop.

Failure to do so can result in back or other injury.

- Install the pressure regulator with the arrow pointing up toward the bottom of the cooktop base and in a position where you can reach the regulator access cap.



- A. Access cap
- B. Rear of cooktop
- C. Gas pressure regulator
- D. Up arrow. Regulator must be installed with arrow pointing up to cooktop bottom.

IMPORTANT: All connections must be wrench-tightened. Do not make connections to the gas regulator too tight. Making the connections too tight may crack the regulator and cause a gas leak. Do not allow the regulator to turn on the pipe when tightening fittings.

Use only pipe-joint compound made for use with Natural and LP gas.

Do not use TEFLON® tape. You will need to determine the fittings required depending on your installation.

- Attach the 2 hold-down brackets to the burner box.

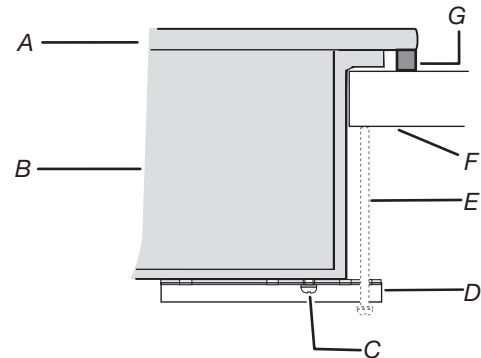
- Using 2 or more people, lift the cooktop from packaging foam and install the cooktop into the countertop cutout by tilting 1 end of the cooktop into the cutout, then lowering the other end into the cutout.

NOTE: Make sure that the front edge of the cooktop is parallel to the front edge of the countertop. If repositioning is needed, lift entire cooktop up from cutout to avoid scratching the countertop.

- Rotate motor to align with duct work and attach ducting.
- Fully tighten motor and, using a 1/4" nut driver, reattach motor access cover with 2 screws.

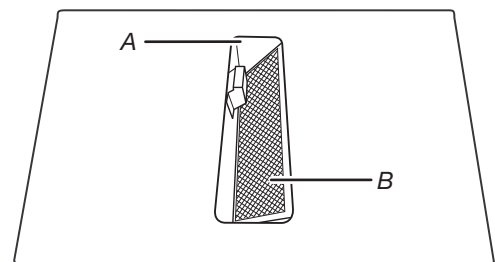
IMPORTANT: Verify that the motor access cover is fully tightened and back on the plenum.

- Select bracket mounting holes that will allow the bracket to extend far enough out from the cooktop for the installation of #10-16 x 3.0" clamping screws.



- A. Cooktop
- B. Cooktop base
- C. Attachment screw
- D. Clamping bracket (extends far enough beyond cooktop base to allow installation of clamping screws)
- E. #10-16 x 3.0" clamping screw (to be installed in "Attach Cooktop to Countertop")
- F. Countertop
- G. Foam seal

- Attach brackets to cooktop base bottom with bracket attachment screws using the bracket mounting holes selected in Step 6. Securely tighten screws.
- Install grease filter.



- A. Plenum
- B. Grease filter

NOTES:

- The filter should always be placed at an angle. As you face the front of the cooktop, the top of the filter should rest against the right side of the vent opening.
- The bottom of the filter should rest against the left side of the vent chamber at the bottom.
- If the filter is flat against the fan wall, ventilation effectiveness will be reduced.

- Install vent grille.

Make Gas Connection

⚠ WARNING



Explosion Hazard

Use a new CSA International approved gas supply line.

Install a shut-off valve.

Securely tighten all gas connections.

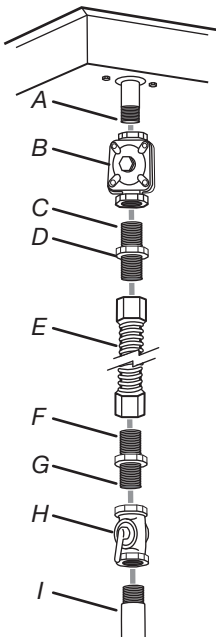
If connected to LP, have a qualified person make sure gas pressure does not exceed 14" (36 cm) water column.

Examples of a qualified person include:
licensed heating personnel,
authorized gas company personnel, and
authorized service personnel.

Failure to do so can result in death, explosion, or fire.

1. Apply pipe-joint compound made for use with Natural and LP gas to the smaller thread ends of the flexible connector adapters (see C and G in the following illustration).
2. Attach 1 adapter to the gas pressure regulator and the other adapter to the gas shut-off valve. Tighten both adapters, being certain not to move or turn the gas pressure regulator.
3. Use a $15/16$ " combination wrench and channel lock pliers to attach the flexible connector to the adapters. Check that connector is not kinked.

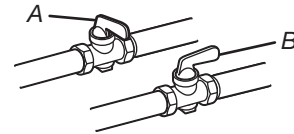
Typical flexible connection



- A. Manifold entrance
- B. Gas pressure regulator
- C. Use pipe-joint compound.
- D. Adapter (must have $1/2$ " male pipe thread)
- E. Flexible connector
- F. Adapter
- G. Use pipe-joint compound.
- H. Manual gas shut-off valve
- I. $1/2$ " or $3/4$ " gas pipe

Complete Connection

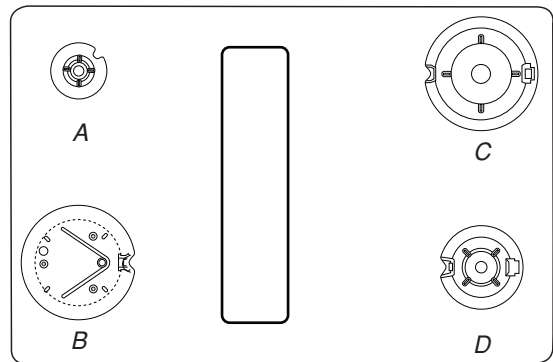
1. Open the manual shut-off valve in the gas supply line. The valve is open when the handle is parallel to the gas pipe.



- A. Closed valve
- B. Open valve

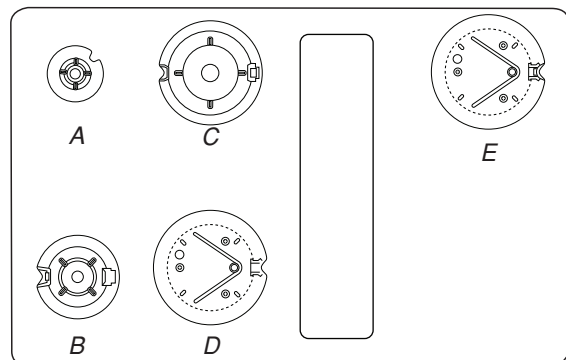
2. Test all connections by brushing on an approved noncorrosive leak-detection solution. If bubbles appear, a leak is indicated. Correct any leak found.
3. Remove surface burner caps and grates from packaging. Place burner caps on burner bases. Burner caps should be level when properly positioned. If burner caps are not properly positioned, surface burners will not light. Place burner grates over burners and caps.

30" (76.2 cm) models



- A. Small (AUX)
- B. Extra large (UR)
- C. Extra large (UR)
- D. Medium (SR)

36" (91.4 cm) models



- A. Small (AUX)
- B. Medium (SR)
- C. Large (R)
- D. Extra large (UR)
- E. Extra large (UR)

⚠ WARNING



Electrical Shock Hazard

Plug into a grounded 3 prong outlet.

Do not remove ground prong.

Do not use an adapter.

Do not use an extension cord.

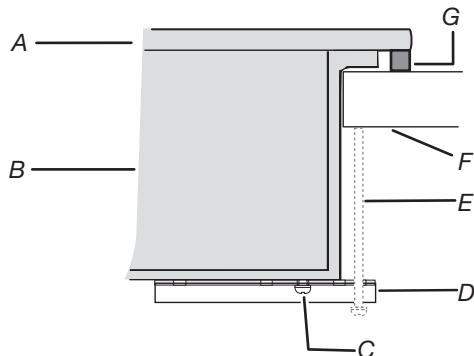
Failure to follow these instructions can result in death, fire, or electrical shock.

4. Plug into a grounded 3 prong outlet.

NOTE: If the cooktop does not work after turning on the power, check that a circuit breaker has not tripped or a household fuse has not blown. See the "Troubleshooting" section in the Use and Care Guide for further information.

Attach Cooktop to Countertop

NOTE: This section applies only if you are using clamping brackets.



- A. Cooktop
- B. Cooktop base
- C. Attachment screw
- D. Clamping bracket (extends far enough beyond cooktop base to allow installation of clamping screws)
- E. #10-16 x 3.0" clamping screw
- F. Countertop
- G. Foam seal

1. Place the #10-16 x 3.0" clamping screws into the outermost hole in the clamping bracket.
2. Check that the cooktop is still level.
3. Use a screwdriver to tighten the screws against the countertop. Do not overtighten.

Electronic Ignition System

Initial lighting and gas flame adjustments

This cooktop is equipped for electronic auto-reignition by means of a spark igniter located at the rear of each burner. The burners are designed to light at any valve rotation that admits sufficient gas flow to support a flame and to automatically relight following a loss of flame due to a draft or other adverse condition. This feature is provided only as a convenience.

Check Operation of Surface Burners

Push in and turn the surface burners control knobs to light.

The surface burner flame should light within 4 seconds. The first time a surface burner is lit, it may take longer than 4 seconds to light because of air in the gas line.

Check the flame on High for a blue color. It should be clean and soft in character. No yellow tip, blowing or lifting of flame should occur. Occasional orange flashes are normal and reflect different elements in the air or gas.

After verifying the proper burner operation, turn the control knobs to OFF.

If burners do not light properly:

- Turn surface burner control knob to OFF.
- Check that the power supply cord is plugged in and the circuit breaker has not tripped or the fuse blown.
- Check that the gas shut-off valves are set to the open position.
- Check that burner caps are properly positioned on burner bases.

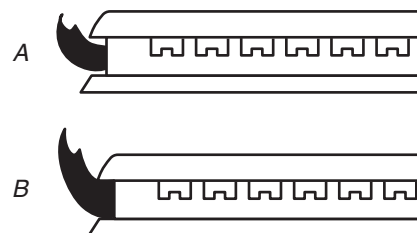
Recheck operation of surface burners. If a burner does not light at this point, contact your dealer or authorized service company for assistance.

Adjust Flame Height

Smart Port Burner System

This cooktop is equipped with a Smart Port Burner System. The Smart Port Burner System produces a small flame directly under each grate finger and a larger flame between each grate finger. The visual difference between the ports will be noticeable when the burner is used or when adjustments are made to the flame length.

Adjust the height of top burner flames. The cooktop Low burner flame should be a steady blue flame approximately 1/4" (0.64 cm) high.



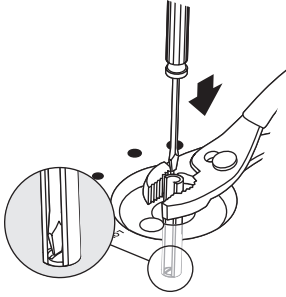
- A. Low flame
- B. High flame

To adjust standard burners:

The flame can be adjusted using the adjustment screw in the center of the valve stem. The valve stem is located directly underneath the control knob.

If the low flame needs to be adjusted:

1. Light 1 burner and turn to lowest setting.
2. Remove the control knob.
3. Hold the knob stem in the low position using a pair of pliers. Use an $\frac{1}{8}$ " (3.0 mm) flat-blade screwdriver to turn the screw located in the center of the control knob stem until the flame is the proper size.



4. Replace the control knob.
5. Test the flame by turning the control from Low to High, checking the flame at each setting.
6. Repeat above steps for each burner.

Complete Installation

1. Check that all parts are now installed. If there is an extra part, go back through the steps to see which step was skipped.
2. Check that you have all your tools.
3. Dispose of/recycle all packaging materials.
4. Use a mild solution of liquid household cleaner and warm water to clean cooktop before use. Dry thoroughly with a soft cloth. For more information, see the "Cooktop Care" section of the Use and Care Guide.
5. Read the "Cooktop Use" section in the cooktop Use and Care Guide.
6. Reconnect power.

If you need Assistance or Service:

Please reference the "Warranty" section of the Use and Care Guide.

SÉCURITÉ DE LA TABLE DE CUISSON

Votre sécurité et celle des autres est très importante.

Nous donnons de nombreux messages de sécurité importants dans ce manuel et sur votre appareil ménager. Assurez-vous de toujours lire tous les messages de sécurité et de vous y conformer.



Voici le symbole d'alerte de sécurité.

Ce symbole d'alerte de sécurité vous signale les dangers potentiels de décès et de blessures graves à vous et à d'autres.

Tous les messages de sécurité suivront le symbole d'alerte de sécurité et le mot "DANGER" ou "AVERTISSEMENT". Ces mots signifient :

⚠ DANGER

Risque possible de décès ou de blessure grave si vous ne suivez pas immédiatement les instructions.

⚠ AVERTISSEMENT

Risque possible de décès ou de blessure grave si vous ne suivez pas les instructions.

Tous les messages de sécurité vous diront quel est le danger potentiel et vous disent comment réduire le risque de blessure et ce qui peut se produire en cas de non-respect des instructions.

AVERTISSEMENT : Si les renseignements dans ces instructions ne sont pas exactement observés, un incendie ou une explosion peut survenir, causant des dommages au produit, des blessures ou un décès.

- **Ne pas entreposer ni utiliser de l'essence ou d'autres vapeurs ou liquides inflammables à proximité de cet appareil ou de tout autre appareil électroménager.**
- **QUE FAIRE DANS LE CAS D'UNE ODEUR DE GAZ :**
 - **Ne pas tenter d'allumer un appareil.**
 - **Ne pas toucher à un commutateur électrique.**
 - **Ne pas utiliser le téléphone se trouvant sur les lieux.**
 - **Appeler immédiatement le fournisseur de gaz à partir du téléphone d'un voisin. Suivre ses instructions.**
 - **À défaut de joindre votre fournisseur de gaz, appeler les pompiers.**
- **L'installation et l'entretien doivent être effectués par un installateur qualifié, une agence de service ou le fournisseur de gaz.**

AVERTISSEMENT : L'odorat ne permet pas toujours la détection d'une fuite de gaz.

Les distributeurs de gaz recommandent l'emploi d'un détecteur de gaz (homologation UL ou CSA).

Pour d'autre information, contacter le fournisseur de gaz local.

En cas de détection d'une fuite de gaz, exécuter les instructions "Que faire dans le cas d'une odeur de gaz".

IMPORTANT : Ne pas installer un système de ventilation avec évacuation de l'air vers le bas, qui évacuerait l'air vers cet appareil de cuisson à gaz. Ce type de système de ventilation peut causer des problèmes d'allumage et de combustion avec cet appareil de cuisson à gaz et entraîner des blessures corporelles ou le fonctionnement non désiré de cet appareil.

Dans l'État du Massachusetts, les instructions d'installation suivantes sont applicables :

- Les travaux d'installation et réparation doivent être exécutés par un plombier ou tuyauteur qualifié ou licencié, ou par le personnel qualifié d'une entreprise licenciée par l'État du Massachusetts.
- Si une vanne à boisseau sphérique est utilisée, elle doit comporter une manette "T".
- Si un conduit de raccordement flexible est utilisé, sa longueur ne doit pas dépasser 3 pi.

EXIGENCES D'INSTALLATION

Outillage et pièces

Rassembler les outils et composants nécessaires avant d'entreprendre l'installation. Lire et observer les instructions fournies avec chacun des outils de la liste ci-dessous.

Outils nécessaires

- Mètre-ruban
- Tournevis à lame plate
- Tournevis Phillips
- Perceuse
- Niveau
- Rallonge pour clé à douille de 6" (15,2 cm)
- Marqueur ou crayon
- Pince
- Foret de 1/4"
- Scie sauteuse
- Clé à cliquet avec douille de 3/8"
- Composé d'étanchéité des raccords filetés – résistant au gaz propane
- Solution non corrosive de détection des fuites

Pièces fournies

- Grille de ventilation
- Pré-filtre
- Trousse de conversion pour l'alimentation au propane
- Chapeaux de brûleur
- Grilles de brûleur
- Chambre de distribution
- Paquet de vis pour chambre de distribution
- Moteur d'aspiration
- Brides de fixation (2)
- Vis de fixation des brides (2)
- Vis de fixation de n° 10-16 x 3,0"

Pièces nécessaires

- Conduits métalliques
- Brides de serrage pour conduit d'évacuation
- Bouche de décharge murale
Clapet de bouche de décharge murale à surface arrondie de 6" (15,2 cm)
Commander la pièce numéro A406
Clapet de bouche de décharge murale à surface de 3 1/4" x 10" (8,3 x 25,4 cm)
Commander la pièce numéro A403
Pour commander, voir la section "Assistance ou service" du Guide d'utilisation et d'entretien.

Vérifier les codes locaux et consulter le fournisseur de gaz. Vérifier l'alimentation en gaz et l'alimentation électrique existantes. Voir les sections "Spécifications électriques" et "Spécifications de l'alimentation en gaz".

Il est recommandé de faire réaliser tous les raccordements électriques par un électricien qualifié agréé.

Exigences d'emplacement

IMPORTANT : Observer les dispositions de tous les codes et règlements en vigueur. Lors de l'installation de la table de cuisson, utiliser les dimensions minimums indiquées.

- C'est à l'installateur qu'incombe la responsabilité de respecter les distances de séparation exigées, spécifiées sur la plaque signalétique de l'appareil. La plaque signalétique est située sur le fond de la table de cuisson.
- La table de cuisson doit être installée dans un emplacement à l'écart des zones de forts courants d'air, telles que fenêtres, portes et événements ou ventilateurs de chauffage.
- Toutes les ouvertures dans le mur ou le plancher de l'emplacement d'installation de la table de cuisson doivent être scellées.
- Respecter les dimensions indiquées pour les ouvertures à découper dans les placards. Ces dimensions constituent les valeurs minimales des dégagements de séparation.
- Une source d'électricité avec liaison à la terre est nécessaire. Voir la section "Spécifications électriques". Une source de gaz adéquate doit être disponible. Voir la section "Spécifications de l'alimentation en gaz".
- De par sa conception, la table de cuisson est suspendue sur le plan de travail, par les rebords des côtés ou de l'arrière.
- Veiller à placer les sources de gaz et d'électricité selon les indications de la section "Dimensions du placard" pour qu'elles soient accessibles sans avoir à retirer la table de cuisson.
- Prévoir une ouverture dans le panneau arrière du placard à droite – voir l'illustration – pour le passage de la canalisation de gaz et du câble d'alimentation électrique.
- Si le placard comporte des tiroirs, ces tiroirs doivent être retirés et l'avant des tiroirs installé sur l'avant du placard.

IMPORTANT : Il n'est pas possible d'installer un four encastré sous plan de travail sous ce produit.

IMPORTANT : Afin d'éviter d'endommager les placards, consulter le constructeur de la maison ou le fabricant des placards pour déterminer si les matériaux utilisés peuvent subir un changement de couleur, une déstratification ou d'autres dommages. Cette table de cuisson a été conçue conformément aux exigences des normes UL et CSA International et respecte les températures maximales permises de 194°F (90°C) pour les placards en bois.

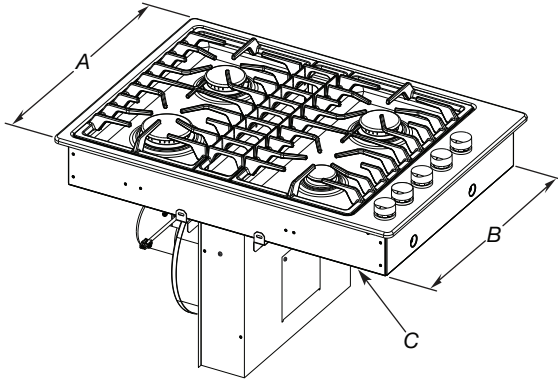
Résidence mobile – Spécifications additionnelles à respecter lors de l'installation

L'installation de cette table de cuisson doit être conforme aux dispositions de la norme Manufactured Home Construction and Safety Standard, Title 24 CFR, Part 3280 (anciennement Federal Standard for Mobile Home Construction and Safety, Title 24, HUD Part 280). Lorsque cette norme n'est pas applicable, utiliser la norme Standard for Manufactured Home Installations, ANSI A225.1/NFPA 501A ou respecter les dispositions des codes locaux.

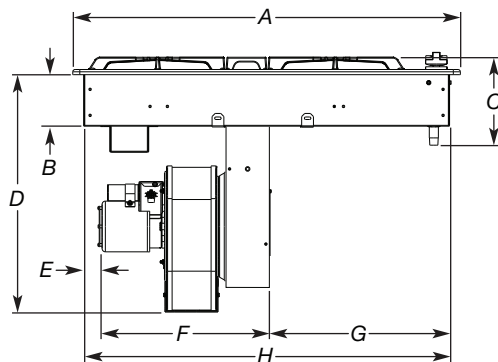
Au Canada, l'installation de cette table de cuisson doit satisfaire aux stipulations de la version la plus récente de la norme CAN/CSA-A240 ou des codes locaux en vigueur.

Dimensions du produit

Table de cuisson de 30" (76,2 cm)

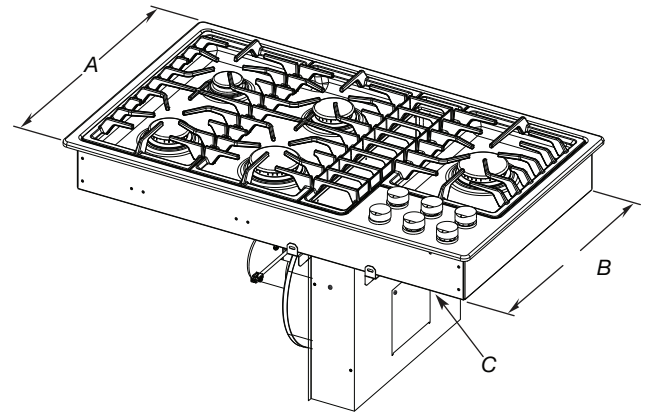


- A. 21¹/₂" (54,6 cm)
- B. 19¹¹/₁₆" (50,0 cm)
- C. Emplacement de la plaque signalétique

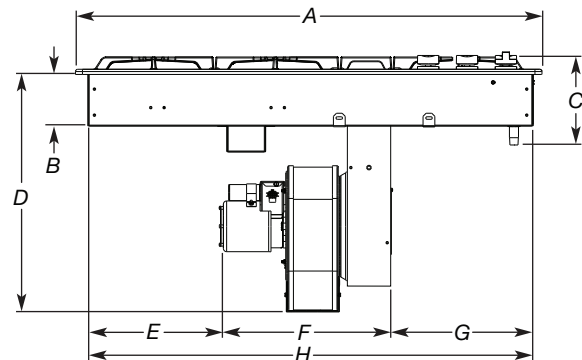


- A. 30" (76,2 cm)
- B. 4" (10,2 cm)
- C. 6¹⁹/₃₂" (16,8 cm)
- D. 18⁷/₁₆" (46,8 cm)
- E. Dégagement minimal de 1¹/₁₆" (4,3 cm) recommandé entre la caisse et le moteur
- F. 12¹/₂" (31,8 cm)
- G. 14" (35,6 cm)
- H. 28¹/₄" (71,4 cm)

Table de cuisson de 36" (91,4 cm)

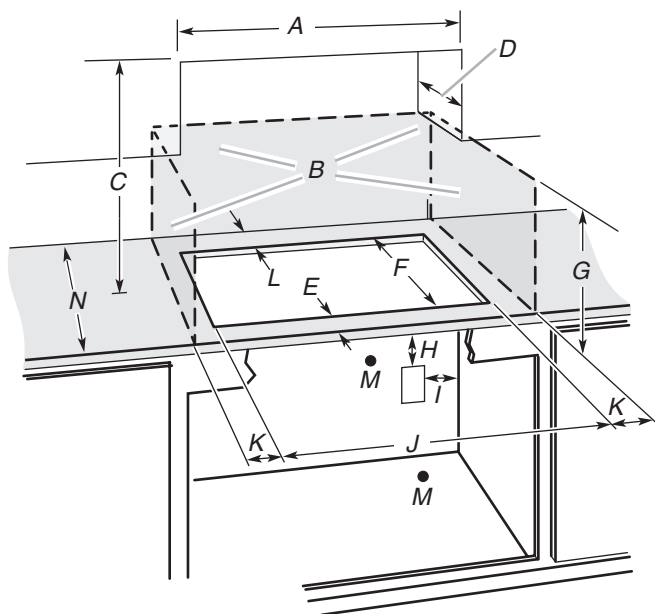


- A. 21¹/₂" (54,6 cm)
- B. 19¹¹/₁₆" (50,0 cm)
- C. Emplacement de la plaque signalétique



- A. 36" (91,4 cm)
- B. 4" (10,2 cm)
- C. 6¹⁹/₃₂" (16,8 cm)
- D. 18⁷/₁₆" (46,8 cm)
- E. Dégagement minimal de 10³/₈" (26,4 cm) recommandé entre la caisse et le moteur
- F. 12¹/₂" (31,8 cm)
- G. 13" (33,0 cm)
- H. 34³/₈" (87,3 cm)

Dimensions du placard

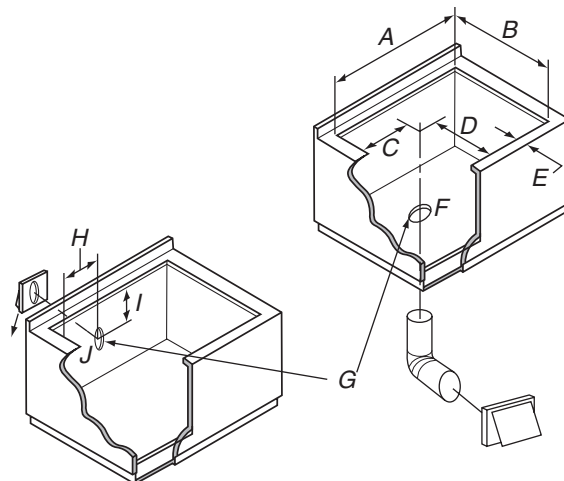


- A. 30" (76,2 cm) sur les modèles de 30" (76,2 cm) et 36" (91,4 cm) sur les modèles de 36" (91,4 cm)
- B. Zone de matière combustible au-dessus du plan de travail (espace délimité par des lignes pointillées ci-dessus)
- C. Distance minimale de séparation de 30" (76,2 cm) entre le dessus de la table de cuisson et le fond d'un placard métallique ou de bois non couvert (distance de séparation de 24" [61 cm] ou plus si le fond du placard de métal ou de bois est recouvert d'une plaque d'au moins 1/4" (0,6 cm) de matériau résistant aux flammes, lui-même recouvert d'une feuille métallique d'une épaisseur correspondant à un calibre de 28 au moins pour l'acier, 0,015" [0,04 cm] pour l'acier inoxydable, 0,024" [0,06 cm] pour l'aluminium ou 0,020" [0,05 cm] pour le cuivre)
- D. Profondeur recommandée pour les placards supérieurs : 13" (33,0 cm)
- E. 2 1/8" (5,4 cm)
- F. 19 15/16" (50,6 cm)
- G. Distance de séparation minimale de 18" (45,7 cm) entre le placard supérieur et le plan de travail avec distance minimale de séparation horizontale pour la table de cuisson
- H. Boîtier de connexion ou prise électrique; 12" (30,5 cm) ou plus depuis le bas du plan de travail
- I. Boîtier de connexion ou prise électrique; 10" (25,4 cm) depuis le côté droit du placard
- J. 28 5/8" (72,7 cm) sur les modèles de 30" (76,2 cm) et 34 3/4" (88,3 cm) sur les modèles de 36" (91,4 cm)
- K. Distance de séparation minimale de 6" (15,2 cm) par rapport à la surface de matériau combustible la plus proche, à gauche ou à droite au-dessus de la table de cuisson
- L. Distance de séparation minimale de 2" (5,1 cm) ou plus entre la paroi arrière et l'ouverture dans le plan de travail
- M. Ouverture pour canalisation de gaz – mur : n'importe où, à 6" (15,2 cm) au-dessous de la face inférieure du plan de travail. Plancher du placard : n'importe où, à 6" (15,2 cm) maximum du mur arrière (recommandation)
- N. Profondeur de la table de cuisson 25" (63,5 cm)

REMARQUE : Après le découpage de l'ouverture dans le plan de travail, il est possible que pour certaines configurations d'installation, il soit nécessaire d'entailler les parois latérales du placard inférieur pour permettre le passage de la base de la table de cuisson. Pour éviter cette modification, utiliser un placard inférieur dont la largeur des parois latérales est supérieure à celle de l'ouverture découpée.

- Un dégagement minimum de 6" (15,2 cm) entre le côté de la table de cuisson et la paroi latérale est recommandé pour une performance maximale de ventilation.

Dimensions de l'ouverture à découper



- A. 28 5/8" (72,7 cm) maximum sur les modèles de 30" (76,2 cm) et 34 3/4" (88,3 cm) maximum sur les modèles de 36" (91,4 cm)
- B. 19 15/16" (50,6 cm) maximum sur les modèles de 30" (76,2 cm) et de 36" (91,4 cm)
- C. 8 1/2" (21,6 cm) sur les modèles de 30" (76,2 cm) et 17 1/2" (44,4 cm) sur les modèles de 36" (91,4 cm)
- D. 5 3/4" (14,6 cm) sur les modèles de 30" (76,2 cm) et de 36" (91,4 cm)
- E. Dégagement minimal de 2 1/8" (5,4 cm) jusqu'au rebord avant de la table de cuisson
- F. Option d'évacuation par le plancher
- G. 6 1/8" (15,6 cm) pour un système d'évacuation de 6"
- H. 8 1/2" (21,6 cm) sur les modèles de 30" (76,2 cm) et 17 1/2" (44,4 cm) sur les modèles de 36" (91,4 cm)
- I. 16" (40,6 cm) sur les modèles de 30" (76,2 cm) et de 36" (91,4 cm)
- J. Option d'évacuation par le mur

Exigences concernant l'évacuation

IMPORTANT : L'évacuation de cette table de cuisson doit se faire à l'extérieur à moins d'utiliser la trousse accessoire de filtration sans conduit de. Voir la section "Méthodes d'évacuation".

- Ne pas terminer le circuit d'évacuation dans un grenier ou dans un autre espace fermé.
- Utiliser un clapet de conduit.
- Le système doit décharger l'air à l'extérieur.
- Utiliser uniquement un conduit métallique rond de 6" (15,2 cm). Un conduit en métal rigide est recommandé. Pour un rendement optimal, ne pas utiliser de conduit en plastique ou en aluminium.
- Avant d'effectuer des coupes, s'assurer qu'il y a un dégagement convenable entre le mur ou le plancher pour le conduit d'évacuation.
- On ne doit couper un poteau de colombage ou une solive que si c'est absolument nécessaire. Dans ce cas, on devra construire une structure de support appropriée.
- La taille du conduit doit être uniforme.
- Le circuit d'évacuation doit comporter un clapet.
- Au niveau de chaque jointure du circuit d'évacuation, assurer l'étanchéité avec les brides de serrage.
- À l'aide d'un produit de calfeutrage, assurer l'étanchéité autour de la bouche de décharge à l'extérieur (à travers le mur ou le toit).
- Déterminer quelle méthode d'évacuation est la plus appropriée.

Pour obtenir la meilleure performance :

- Utiliser un conduit de ventilation en acier galvanisé d'épaisseur minimum n° 26 ou en aluminium d'épaisseur minimum n° 25. Des raccords de mauvaise qualité peuvent réduire le flux d'air. On déconseille l'emploi d'un conduit en métal flexible.

REMARQUE : Les codes locaux pourraient exiger un matériau plus épais.

- Le conduit métallique peut être réduit à une épaisseur n° 30 pour l'acier galvanisé ou n° 26 pour l'acier aluminisé si c'est permis par les codes locaux. Cette information est basée sur le contenu de la Section des Codes Résidentiels Internationaux M1601.1 (édition 2006).
- Ne pas installer 2 coudes ensemble.
- Ne pas utiliser plus de trois coudes à 90°.
- Si l'on utilise un coude, on doit le placer le plus loin possible de l'ouverture d'évacuation du moteur de ventilation.
- Veiller à incorporer une section de conduit rectiligne d'au moins 18" (45,7 cm) entre deux raccords coudés adjacents.
- Des coudes trop rapprochés peuvent occasionner une turbulence excessive qui réduirait la circulation de l'air.
- Ne pas utiliser un coude de 5" (12,7 cm) dans un système de 6" (15,2 cm).
- Ne pas réduire le système à une longueur de 5" (12,7 cm) après avoir utilisé des raccords de 6" (15,2 cm).
- Éviter le sertissage manuel. Cela pourrait restreindre le flux d'air.
- Utiliser un clapet de conduit pour que le rendement soit correct. Si une bouche de décharge murale ou de toit est utilisée, s'assurer que la taille de la bouche de décharge n'est pas réduite et qu'elle comporte un clapet anti-reflux.
- Au niveau de chaque jointure du circuit d'évacuation, assurer l'étanchéité avec les brides de serrage.
- À l'aide d'un produit de calfeutrage, assurer l'étanchéité autour de la bouche de décharge à l'extérieur (à travers le mur ou le toit).

La longueur du système d'évacuation et le nombre de coudes doit être réduit au minimum pour une performance efficace.

La longueur maximale équivalente du circuit d'évacuation est de 60 pi (18,3 m). Pour les altitudes excédant 4 500 pi (1 272 m), réduire la longueur du système d'évacuation de 20 % pour une performance optimale.

Installations pour régions à climat froid

On devrait installer un clapet anti-retour additionnel pour minimiser le reflux d'air froid.

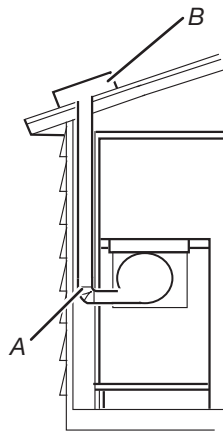
Air d'appoint

Le code du bâtiment local peut exiger l'emploi d'un système de renouvellement de l'air/introduction d'air d'appoint, lors de l'utilisation d'un système d'aspiration de débit supérieur à une valeur (pieds cubes par minute) spécifiée. Le débit spécifié en pieds cubes par minute varie d'une juridiction à l'autre. Consulter un professionnel des installations de chauffage/ventilation/climatisation au sujet des exigences spécifiques applicables dans la juridiction locale.

Méthodes d'évacuation

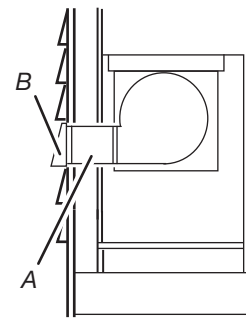
Les méthodes d'évacuation standard illustrées correspondent à une table de cuisson avec aspiration par le bas montée sur comptoir. L'évacuation de la table de cuisson peut se faire par le mur ou le plancher.

Option 1 - Décharge à travers le toit



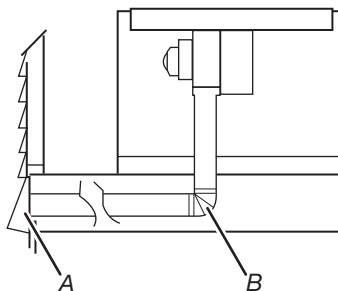
- A. Conduit de dia. 6" (15,2 cm) pour sortie à travers le toit
- B. Bouche de décharge sur toit

Option 2 - Décharge à travers le mur



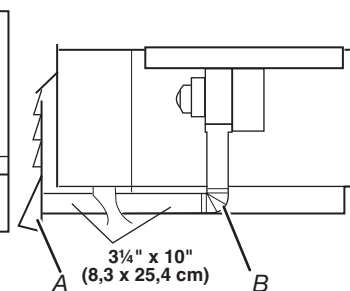
- A. Conduit de dia. 6" (15,2 cm) pour sortie à travers le mur
- B. Bouche de décharge murale

Option 3 - Évacuation entre les solives au plancher



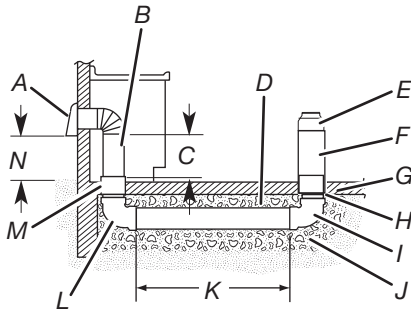
- A. Bouche de décharge murale
- B. Conduit de dia. 6" (15,2 cm) pour sortie à travers le mur

Option 4 - Évacuation derrière le garde-pieds de la caisse



- A. Bouche de décharge murale
- B. Conduit de dia. 6" (15,2 cm) pour sortie à travers le mur

Installations dans dalle de béton - Évacuation à travers le mur



- A. Bouche de décharge murale
- B. Conduit métallique de dia. 6" (15,2 cm)
- C. 16" (40,6 cm) maximum
- D. Conduit PVC pour égout de dia. 6" (15,2 cm)
- E. Conduit métallique de dia. 6" (15,2 cm)
- F. Raccord PVC de dia. 6" (15,2 cm)
- G. Dalle de béton
- H. Conduit PVC pour égout de dia. 6" (15,2 cm)
- I. Coude à 90° en PVC pour égout de dia. 6" (15,2 cm)
- J. Gravier ou sable compacté tout autour du tuyau.
- K. 30 pi (9,1 m) max.
- L. Coude à 90° en PVC pour égout de dia. 6" (15,2 cm)
- M. Raccord PVC de dia. 6" (15,2 cm)
- N. 12" (30,5 cm) minimum

Trousse accessoire de filtration sans conduit

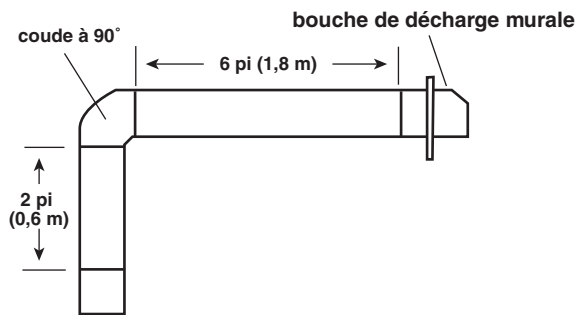
La trousse accessoire de filtration sans conduit, pièce n° JDA7000WX est désormais disponible. La trousse accessoire de filtration sans conduit est idéale tant pour les nouvelles constructions que les projets de rénovation de cuisine parce qu'elle offre une alternative facile à l'installation de conduits métalliques et à la décharge de système à aspiration par le bas vers l'extérieur du domicile. Cet ensemble comprend tout le matériel nécessaire, un filtre et des instructions d'installation complètes. Le filtre à charbon de recharge (pièce numéro W10177003) est disponible.

Calcul de la longueur effective du circuit d'évacuation

Pour calculer la longueur effective du circuit d'évacuation nécessaire, additionner les longueurs équivalentes (pieds/mètres) de tous les composants utilisés dans le système.

Composant	Conduit de diamètre de 6" (15,2 cm)	
Coude à 45°	2,5 pi (0,8 m)	
Coude à 90°	5 pi (1,5 m)	
Bouche de décharge murale de 6" (15,2 cm)	0 pi (0 m)	
Raccord de transition de 3 1/4" x 10" (8,3 cm x 25,4 cm) sur 6" (15,2 cm)	4,5 pi (1,4 m)	
Raccord de transition de 6" (15,2 cm) à 3 1/4" x 10" (8,3 cm x 25,4 cm)	1 pi (0,3 m)	
Coude de transition à 90° de 3 1/4" x 10" (8,3 cm x 25,4 cm) à 6" (15,2 cm)	5 pi (1,5 m)	
Coude de transition à 90° de 6" (15,2 cm) à 3 1/4" x 10" (8,3 cm x 25,4 cm)	5 pi (1,5 m)	
Coude à 90° de 3 1/4" x 10" (8,3 cm x 25,4 cm)	5 pi (1,5 m)	
Coude plat de 3 1/4" x 10" (8,3 cm x 25,4 cm)	12 pi (3,7 m)	
Bouche de décharge murale 3 1/4" x 10" (8,3 cm x 25,4 cm)	0 pi (0,0 m)	

Exemple de circuit d'évacuation



1 - coude à 90°	= 5 pi (1,5 m)
Section droite de 8 pi (2,4 m)	= 8 pi (2,4 m)
1 - bouche de décharge murale	= 0 pi (0,0 m)
Longueur totale	= 13 pi (3,9 m)

REMARQUE : On déconseille l'emploi d'un conduit flexible. Un conduit flexible peut causer une rétro-pression et des turbulences de l'air, ce qui réduit considérablement la performance.

Spécifications électriques

IMPORTANT : La table de cuisson doit être correctement reliée à la terre en conformité avec les codes et règlements locaux en vigueur, ou en l'absence de tels codes, avec le National Electrical Code, ANSI/NFPA 70 ou le Code canadien des installations électriques, CSA C22.1.

Cette table de cuisson est dotée d'un système d'allumage électronique qui ne fonctionnera pas en cas de branchement dans une prise qui n'est pas correctement polarisée.

Si les codes le permettent et si on utilise un conducteur distinct de liaison à la terre, il est recommandé qu'un électricien qualifié vérifie la qualité de la liaison à la terre.

Pour obtenir un exemplaire de la norme des codes ci-dessus, contacter :

National Fire Protection Association
1 Batterymarch Park
Quincy, MA 02169-7471
CSA International
8501 East Pleasant Valley Road
Cleveland, Ohio 44131-5575

- L'appareil doit être alimenté par un circuit de 120 V, CA seulement, 60 Hz, 15 ampères, protégé par fusible. On recommande également d'utiliser un fusible ou un disjoncteur temporisé. Il est recommandé de raccorder la table de cuisson sur un circuit distinct exclusif à cet appareil.
- Les systèmes d'allumage électronique fonctionnent avec des limites de tension étendues, mais une liaison à la terre correcte et une polarité appropriée sont nécessaires. Vérifier que la prise fournit une alimentation de 120 V et qu'elle est correctement reliée à la terre.
- Les schémas de câblage sont fournis avec cette table de cuisson. Voir la section "Schémas de câblage" sur une feuille séparée. Les schémas de câblage se trouvent sur la partie inférieure de la base de la table de cuisson.

- La table de cuisson au gaz n'a pas besoin d'être branchée à une prise murale protégée par disjoncteur différentiel (GFCI) ou par disjoncteur d'arc électrique (AFCI). Il est recommandé de ne pas brancher une table de cuisson à gaz ou tout autre gros appareil électroménager à allumage électrique par étincelle dans une prise murale à disjoncteur différentiel (GFCI) ou à disjoncteur d'arc électrique (AFCI), car ils peuvent se déclencher lors de l'utilisation normale de l'allumeur.
- Le comportement de cette table de cuisson ne change pas si elle est branchée à un circuit protégé par disjoncteur différentiel (GFCI) ou par disjoncteur d'arc électrique (AFCI). Toutefois, le déclenchement intempestif du disjoncteur différentiel en utilisation normale peut se produire du fait de la nature des tables de cuisson à gaz à allumage électronique.

Spécifications de l'alimentation en gaz

⚠ AVERTISSEMENT



Risque d'explosion

Utiliser une canalisation neuve d'arrivée de gaz approuvée par la CSA International.

Installer un robinet d'arrêt.

Bien serrer chaque organe de connexion de la canalisation de gaz.

En cas de connexion au gaz propane, demander à une personne qualifiée de s'assurer que la pression de gaz ne dépasse pas 36 cm (14 po) de la colonne d'eau.

Par personne qualifiée, on comprend :

**le personnel autorisé de chauffage,
le personnel autorisé d'une compagnie de gaz, et
le personnel d'entretien autorisé.**

Le non-respect de ces instructions peut causer un décès, une explosion ou un incendie.

Observer les dispositions de tous les codes et règlements en vigueur.

IMPORTANT : L'installation doit satisfaire aux critères de tous les codes et règlements locaux. En l'absence de code local, l'installation doit satisfaire aux prescriptions de la plus récente édition du code national américain en vigueur : National Fuel Gas Code ANSI Z223.1 ou à la norme CAN/CGA B149.

IMPORTANT : Les tests de fuite de la table de cuisson doivent être effectués selon les instructions du fabricant.

Type de gaz

Gaz naturel :

Cette table de cuisson a été configurée à l'usine pour l'alimentation au gaz naturel. Pour la conversion pour l'alimentation au propane, voir les instructions "Conversion pour l'alimentation au propane" dans le sachet de documentation. La plaque signalétique située sur le fond de la table de cuisson indique les types de gaz utilisables. Si le type de gaz disponible n'est pas mentionné sur la plaque signalétique, consulter le fournisseur de gaz local.

Conversion pour l'alimentation au propane :

L'opération de conversion doit être exécutée par un technicien de réparation qualifié.

Ne pas entreprendre de convertir la table de cuisson pour l'utilisation d'un gaz différent de celui indiqué sur la plaque signalétique sans d'abord consulter le fournisseur de gaz. Voir les instructions de conversion de gaz fournies dans le sachet de documentation.

Canalisation de gaz

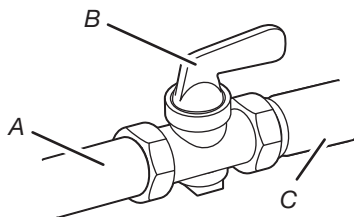
- Installer une canalisation de gaz rigide de $\frac{3}{4}$ " (1,9 cm) jusqu'à l'emplacement d'installation de la table de cuisson. L'emploi d'une canalisation de plus petit diamètre sur un circuit plus long peut causer une déficience du débit d'alimentation. On doit utiliser un composé d'étanchéité des tuyauteries résistant à l'action du gaz propane. Ne pas utiliser de ruban TEFLON[†]. Pour l'alimentation au propane, le diamètre du tuyau ou conduit doit être de $\frac{1}{2}$ " ou plus. Usuellement, le fournisseur de gaz propane détermine les matériaux à utiliser et le diamètre approprié.

Raccord métallique flexible :

- Si les codes locaux le permettent, utiliser un connecteur à gaz flexible en acier inoxydable de $\frac{1}{2}$ " ou $\frac{3}{4}$ " de diamètre interne, conçu par CSA pour raccorder la table de cuisson à la canalisation rigide d'alimentation en gaz.



- Un raccord avec filetage mâle de $\frac{1}{2}$ " est nécessaire pour la connexion sur le raccord à filetage femelle à l'entrée du détendeur de la table de cuisson.
- Ne pas déformer, écraser ou endommager le tube métallique flexible lors d'un déplacement de la table de cuisson.
- Robinet d'arrêt nécessaire : La canalisation d'alimentation doit comporter un robinet d'arrêt manuel. Le robinet d'arrêt manuel doit se trouver dans la même pièce. Il doit se trouver en un endroit facilement accessible et qui ne nécessite pas le démontage de la table de cuisson pour les manoeuvres d'ouverture/fermeture. Ne pas entraver l'accès au robinet d'arrêt manuel. Le robinet d'arrêt manuel est prévu pour ouvrir ou fermer l'alimentation en gaz de la table de cuisson.



A. Canalisation de gaz
B. Robinet d'arrêt - position d'ouverture
C. Vers la table de cuisson

Détendeur de gaz

Le détendeur fourni avec cette table de cuisson doit être utilisé. La pression d'alimentation du détendeur doit être comme suit pour un fonctionnement correct :

Gaz naturel :

Pression minimum : 5" (12,7 cm) (colonne d'eau)

Pression maximum : 7" à 14" (17,8 cm à 35,5 cm) (colonne d'eau)

Gaz propane :

Pression minimum : 10" (25,4 cm) (colonne d'eau)

Pression maximum : 14" (35,5 cm) (colonne d'eau)

En cas d'incertitude quant à la pression d'alimentation à établir, contacter le fournisseur de gaz local.

Caractéristiques d'alimentation du brûleur

Les débits thermiques indiqués sur la plaque signalétique correspondent à une altitude d'utilisation inférieure ou égale à 2 000 pi (609,6 m).

Lorsque l'appareil est utilisé à une altitude supérieure à 2 000 pi (609,6 m), on doit réduire le débit thermique indiqué de 4 % pour chaque tranche de 1 000 pi (304,8 m) au-dessus du niveau de la mer (non applicable au Canada).

Test de pressurisation de la canalisation de gaz

On doit tester le détendeur sous une pression supérieure d'au moins 1" (colonne d'eau) à la pression de la tubulure de distribution indiquée sur la plaque signalétique.

Pressurisation à une pression supérieure à $\frac{1}{2}$ lb/po² (14" - colonne d'eau)

Lors de tout test de pressurisation de ce système à une pression supérieure à $\frac{1}{2}$ lb/po² (3,5 kPa), on doit déconnecter la table de cuisson et son robinet d'arrêt individuel de la canalisation de gaz.

Pressurisation à une pression inférieure ou égale à $\frac{1}{2}$ lb/po² (14" - colonne d'eau)

Lors de tout test de pressurisation de la canalisation de gaz à une pression égale ou inférieure à $\frac{1}{2}$ lb/po² (3,5 kPa), on doit isoler la table de cuisson de la canalisation de gaz en fermant son robinet d'arrêt manuel individuel.

[†]TEFLON est une marque déposée de Chemours.

INSTRUCTIONS D'INSTALLATION

Préparation de la table de cuisson

Déterminer l'emplacement final de la table de cuisson.

AVERTISSEMENT

Risque du poids excessif

Utiliser deux ou plus de personnes pour déplacer et installer la table de cuisson.

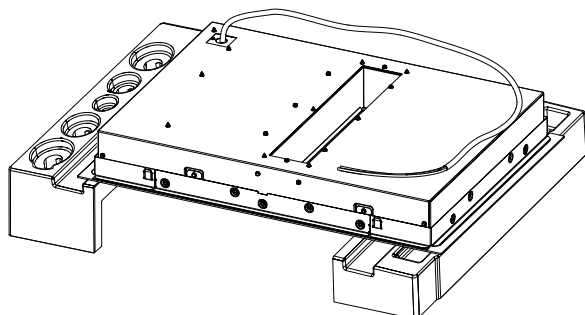
Le non-respect de cette instruction peut causer une blessure au dos ou d'autre blessure.

IMPORTANT : Ne pas couper le dessus de l'emballage du produit, car cela pourrait endommager le produit.

1. Ouvrir la boîte tel que stipulé sur l'emballage du produit.
2. Retirer tous les articles des deux côtés du bloc en mousse et les réserver. Sortir le bloc en mousse et le mettre de côté afin de déposer la table de cuisson sur le dessus.

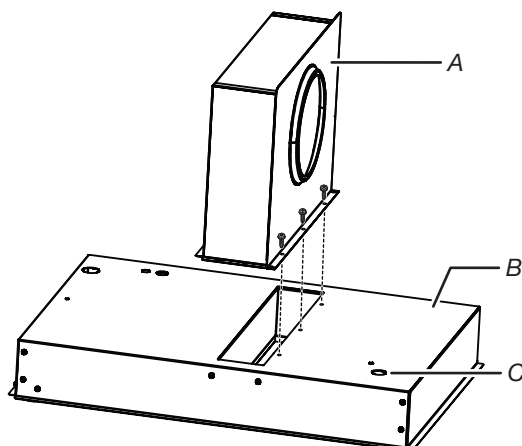
IMPORTANT : Ne pas placer de mousse d'emballage sur les boutons.

3. Avec l'aide de deux personnes ou plus, retirer la table de cuisson et placer la table de cuisson à l'envers sur le bloc en mousse, s'assurant que les boutons ne sont pas déposés sur le bloc en mousse.



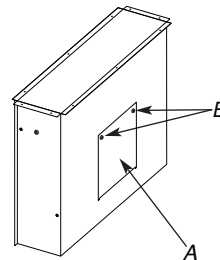
4. Retirer la chambre de distribution et le paquet de vis (dans le sachet de documentation).
5. Retirer le moteur d'aspiration.
6. Placer la chambre de distribution de la table de cuisson avec l'ouverture ronde orientée vers le faisceau de câblage du moteur.

REMARQUE : Tous les trous sont prépercés. Si tous les 6 trous ne sont pas alignés, inverser la chambre de distribution.



A. Chambre de distribution
B. Table de cuisson
C. Faisceau de câblage du moteur

7. À l'aide d'un tourne-écrou de 1/4", visser les 6 vis du sachet de documentation pour fixer la chambre de distribution.
8. Retirer le panneau d'accès de la chambre de distribution à l'aide d'un tourne-écrou de 1/4" et le mettre de côté.

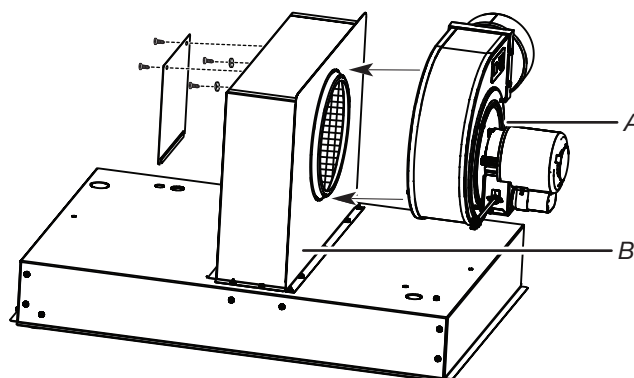


A. Panneau d'accès
B. 2 vis

9. Retirer 4 écrous de blocage et 4 rondelles du sachet de documentation.

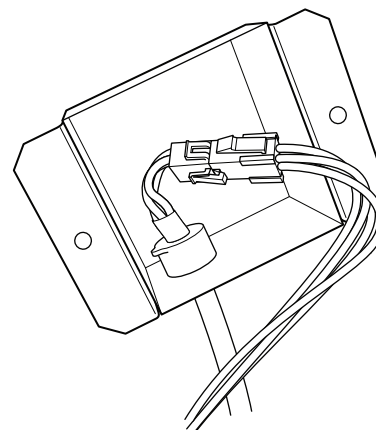
REMARQUE : Retirer les 4 capuchons protecteurs des tiges de montage du moteur.

10. Placer le moteur du ventilateur sur la chambre de distribution.

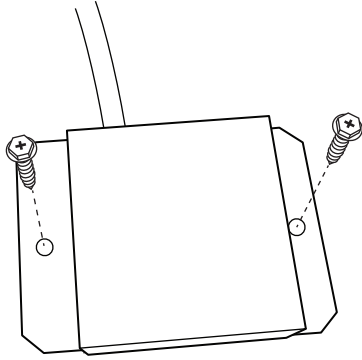


A. Moteur du ventilateur
B. Chambre de distribution

11. Installer et serrer avec les doigts à la main les 4 rondelles et écrous de blocage qui ont été retirés à travers l'ouverture du couvercle d'accès au moteur. Ne pas trop serrer afin de permettre le moteur de tourner.
12. Brancher le connecteur électrique du ventilateur à la table de cuisson.



13. À l'aide d'un tourne-écrou de 1/4", visser le couvercle de raccordement électrique à la boîte des brûleurs au moyen de 2 vis.



14. Retirer les 2 vis situées de chaque côté de la boîte des brûleurs de la table de cuisson.

Installation de la table de cuisson

Installer le régulateur sur la table de cuisson avant de monter cette dernière dans le placard. Voir la section "Raccordement au gaz".

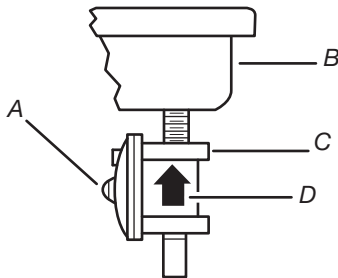
AVERTISSEMENT

Risque du poids excessif

Utiliser deux ou plus de personnes pour déplacer et installer la table de cuisson.

Le non-respect de cette instruction peut causer une blessure au dos ou d'autre blessure.

1. Installer le régulateur avec la flèche orientée vers le haut, vers le fond de la base de la table de cuisson, et de manière à ce que le chapeau d'accès du détendeur soit accessible.



- A. Chapeau de l'ouverture d'accès
 B. Arrière de la table de cuisson
 C. Détendeur
 D. Flèche vers le haut. Le détendeur doit être installé avec la flèche pointant vers le haut (vers le fond de la table de cuisson).

IMPORTANT : Tous les raccords doivent être bien serrés à l'aide d'une clé. Ne pas serrer excessivement la connexion sur le détendeur. Un serrage excessif pourrait provoquer une fissuration du détendeur et une fuite de gaz. Lors du serrage d'un raccord, empêcher le détendeur de tourner sur le tuyau.

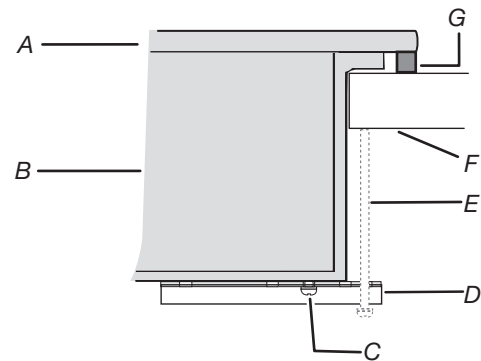
Utiliser uniquement un composé d'étanchéité des tuyauteries conçu pour l'utilisation avec le gaz naturel ou le propane.

Ne pas utiliser de ruban TEFLON®. Il sera nécessaire de choisir les raccords à utiliser en fonction de la configuration d'installation.

2. Fixer les 2 brides de retenue à la boîte des brûleurs.
 3. Avec l'aide de 2 personnes ou plus, soulever la table de cuisson du bloc de mousse et installer la table de cuisson dans l'ouverture du comptoir en inclinant une extrémité de la table de cuisson dans l'ouverture, puis en abaissant l'autre extrémité dans l'ouverture.

REMARQUE : S'assurer que le bord avant de la table de cuisson est parallèle au bord avant du comptoir. S'il est nécessaire de repositionner la table de cuisson, la soulever entièrement de l'ouverture pour éviter de rayer le comptoir.

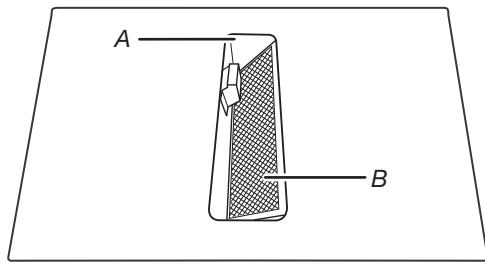
4. Tourner le moteur pour l'aligner avec le conduit et le fixer au conduit.
 5. Serrer complètement le moteur et à l'aide d'un tourne-écrou de 1/4", fixer le couvercle d'accès au moteur au moyen de 2 vis.
IMPORTANT : Vérifier que le couvercle d'accès au moteur est complètement serré et se trouve sur la chambre de distribution.
 6. Sélectionner les trous de montage des brides qui permettront aux brides de dépasser suffisamment de la table de cuisson pour l'installation des vis de fixation de n° 10-16 x 3,0".



- A. Table de cuisson
 B. Base de la table de cuisson
 C. Vis d'attache
 D. Bride de fixation (dépassant suffisamment de la base de la table de cuisson pour permettre l'installation des vis de fixation)
 E. Vis de fixation de n° 10-16 x 3,0" (à installer dans "Fixation de la table de cuisson au plan de travail")
 F. Plan de travail
 G. Bande de mousse

7. Fixer les brides à la partie inférieure de la base de la table de cuisson à l'aide des vis d'attache en utilisant les trous de montage des brides sélectionnés à l'étape 6. Bien serrer les vis.

8. Installer le filtre à graisse.



A. Chambre de distribution
B. Filtre à graisse

REMARQUES :

- Le filtre doit toujours être placé en angle. Lorsque l'on se place face à la table de cuisson, le sommet du filtre doit reposer contre le côté droit de l'ouverture d'aération.
 - Le fond du filtre doit reposer contre le côté gauche de la chambre d'évacuation, au fond de celle-ci.
 - Si le filtre est à plat contre la paroi du ventilateur, l'efficacité du système de ventilation sera réduite.
9. Installer la grille de ventilation.

Raccordement au gaz

⚠ AVERTISSEMENT



Risque d'explosion

Utiliser une canalisation neuve d'arrivée de gaz approuvée par la CSA International.

Installer un robinet d'arrêt.

Bien serrer chaque organe de connexion de la canalisation de gaz.

En cas de connexion au gaz propane, demander à une personne qualifiée de s'assurer que la pression de gaz ne dépasse pas 36 cm (14 po) de la colonne d'eau.

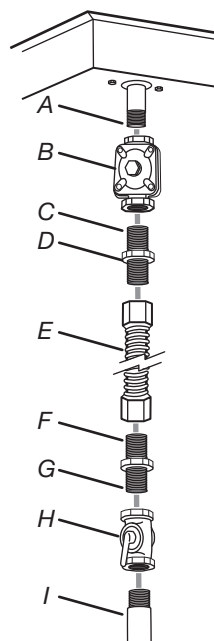
Par personne qualifiée, on comprend :

le personnel autorisé de chauffage,
le personnel autorisé d'une compagnie de gaz, et
le personnel d'entretien autorisé.

Le non-respect de ces instructions peut causer un décès, une explosion ou un incendie.

1. Appliquer un composé d'étanchéité pour tuyauteries conçu pour une utilisation avec du gaz naturel ou du gaz propane sur l'extrémité fileté la plus petite des adaptateurs de raccord flexible (voir C et G dans l'illustration suivante).
2. Fixer un raccord d'adaptation sur le détendeur et l'autre raccord d'adaptation sur le robinet d'arrêt de la canalisation de gaz. Serrer les deux raccords d'adaptation en prenant soin de ne pas déplacer ni faire tourner le détendeur.
3. Utiliser une clé mixte de $15/16$ " et une pince multiprise pour fixer le raccord flexible sur les raccords d'adaptation. Vérifier que le raccord n'est pas déformé.

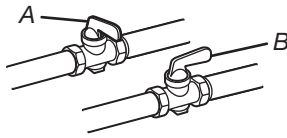
Raccordement typique par raccord flexible



- A. Entrée de la tubulure de distribution
- B. Détendeur
- C. Utiliser un composé d'étanchéité pour tuyauteries.
- D. Adaptateur (doit comporter un filetage mâle de $1/2$ ")
- E. Raccord flexible
- F. Adaptateur
- G. Utiliser un composé d'étanchéité pour tuyauteries.
- H. Robinet d'arrêt manuel
- I. Tuyauterie de gaz de $1/2$ " ou $3/4$ "

Achever le raccordement

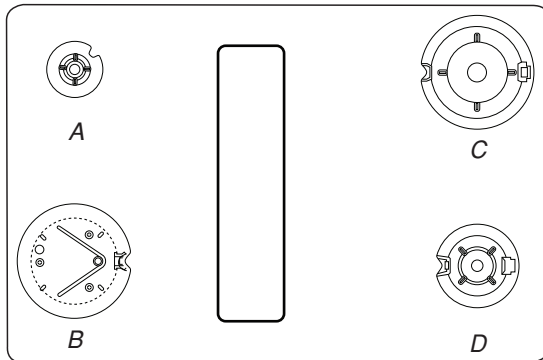
- Ouvrir le robinet d'arrêt manuel sur la canalisation de gaz. Le robinet est ouvert lorsque la poignée est parallèle au conduit d'alimentation en gaz.



A. Robinet fermé
B. Robinet ouvert

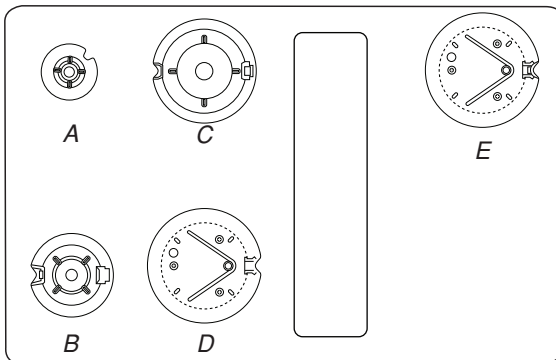
- Vérifier tous les raccordements en les badigeonnant d'une solution de détection des fuites non corrosive approuvée. L'apparition de bulles indique la présence d'une fuite. Réparer toute fuite éventuelle.
- Ôter les chapeaux de brûleur de surface et les grilles de l'emballage. Placer les chapeaux de brûleur sur les bases de brûleur. Un chapeau de brûleur correctement placé doit être horizontal. Si le chapeau de brûleur n'est pas correctement placé, le brûleur de surface ne peut s'allumer. Placer les grilles de brûleur sur les brûleurs et chapeaux.

Modèles de 30" (76,2 cm)



A. Petit (AUX) C. Très grand (UR)
B. Très grand (UR) D. Moyen (SR)

Modèles de 36" (91,4 cm)



A. Petit (AUX) C. Grand (R) E. Très grand (UR)
B. Moyen (SR) D. Très grand (UR)

⚠ AVERTISSEMENT



Risque de choc électrique

Brancher sur une prise à 3 alvéoles reliée à la terre.

Ne pas enlever la broche de liaison à la terre.

Ne pas utiliser un adaptateur.

Ne pas utiliser un câble de rallonge.

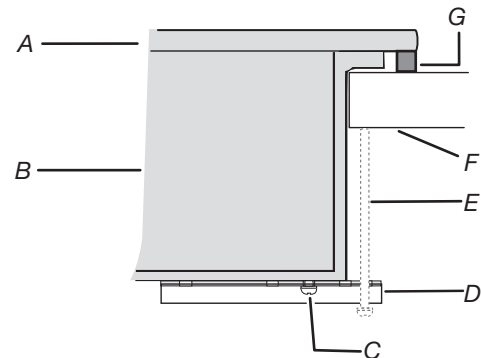
Le non-respect de ces instructions peut causer un décès, un incendie ou un choc électrique.

- Brancher sur une prise de courant à 3 alvéoles reliée à la terre.

REMARQUE : Si la table de cuisson ne fonctionne pas après la mise sous tension, vérifier que le disjoncteur ne s'est pas déclenché ou que les fusibles ne sont pas grillés. Voir la section "Dépannage" dans le Guide d'utilisation et d'entretien pour plus de renseignements.

Fixation de la table de cuisson au plan de travail

REMARQUE : Cette section s'applique uniquement en cas d'utilisation de brides de fixation.



A. Table de cuisson
B. Base de la table de cuisson
C. Vis d'attache
D. Bride de fixation (dépassant suffisamment de la base de la table de cuisson pour permettre l'installation des vis de fixation)
E. Vis de fixation de n° 10-16 x 3,0"
F. Plan de travail
G. Bande de mousse

- Placer les vis de fixation de n° 10-16 x 3,0" dans le trou le plus à l'extérieur de la bride.
- Vérifier que la table de cuisson est toujours d'aplomb.
- À l'aide d'un tournevis à lame plate, serrer les vis sur le plan de travail. Ne pas serrer excessivement.

Système d'allumage électronique

Allumage initial et réglages des flammes de gaz

Cette table de cuisson est équipée pour le rallumage électronique automatique déclenché par un allumeur situé à l'arrière de chaque brûleur. Les brûleurs sont conçus pour s'allumer à n'importe quelle rotation de robinet qui permet un débit de gaz suffisant pour alimenter une flamme et se rallumer automatiquement suite à une perte de flamme en raison d'un courant d'air ou autre situation indésirable. Cette caractéristique est uniquement destinée à faciliter l'utilisation de la table de cuisson.

Contrôle du fonctionnement des brûleurs de surface

Enfoncer et tourner les boutons de commande des brûleurs de surface à la position basse.

Le gaz doit s'enflammer sur le brûleur de surface en moins de 4 secondes. Lors de l'allumage initial du brûleur de surface, le délai d'allumage peut être supérieur à 4 secondes du fait de la présence d'air dans la canalisation de gaz.

Vérifier que la flamme est bleue à la position "HIGH" (élevée). Elle doit être propre et douce. On ne doit pas observer de pointe jaune, ni d'effet de soufflage ou de séparation entre les flammes et le brûleur. Il est normal d'observer parfois des éclairs oranges; ceci est dû à différents éléments dans l'air ou le gaz.

Après avoir vérifié le bon fonctionnement du brûleur, tourner les boutons de commande à OFF (arrêt).

Si les brûleurs ne s'allument pas correctement :

- Ramener le bouton de commande du brûleur de surface à OFF (arrêt).
- Vérifier que le cordon d'alimentation est branché, qu'aucun fusible n'est grillé et que le disjoncteur ne s'est pas déclenché.
- Vérifier que chaque robinet d'arrêt de gaz est à la position ouverture.
- Vérifier que les chapeaux de brûleurs sont correctement placés sur la base des brûleurs.

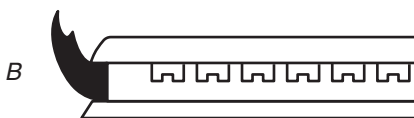
S'assurer à nouveau du bon fonctionnement des brûleurs. Si à ce stade un brûleur ne s'allume pas, contacter le revendeur ou un dépanneur agréé.

Réglage de la taille des flammes

Système de brûleur à orifice intelligent

Cette table de cuisson est équipée d'un système de brûleur à orifice intelligent. Ce système produit une petite flamme sous les doigts de la grille et une flamme plus longue entre ces doigts. La différence entre ces orifices est visuellement repérable lorsque le brûleur est allumé ou lors du réglage de la longueur des flammes.

Régler la taille des flammes sur le brûleur supérieur de la table de cuisson. Pour le réglage au débit thermique minimum, on doit observer des flammes stables bleues d'environ 1/4" (0,64 cm).



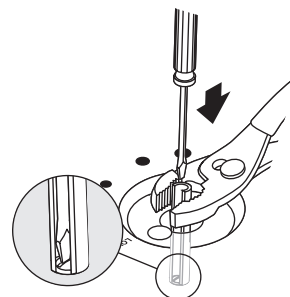
A. Débit thermique minimum
B. Débit thermique maximum

Réglage des brûleurs standard :

La vis de réglage au centre de la tige de commande du robinet permet de régler la taille des flammes. La tige de commande est située directement au-dessous du bouton de commande.

S'il est nécessaire de régler la taille des flammes pour le débit thermique minimum :

1. Allumer 1 brûleur et le tourner au réglage le plus bas.
2. Ôter le bouton de commande.
3. Immobiliser la tige de commande à la position faible avec une pince. Utiliser un tournevis à lame plate de 1/8" (3,0 mm) pour faire tourner la vis située au centre de la tige de commande jusqu'à ce que la flamme atteigne la taille désirée.



4. Réinstaller le bouton de commande.
5. Tester le fonctionnement du brûleur : faire passer le bouton de commande de la position Low (basse) à la position High (élevée) et observer les flammes pour chaque réglage.
6. Répéter les étapes ci-dessus pour chaque brûleur.

Achever l'installation

1. Vérifier que toutes les pièces sont maintenant installées. S'il reste une pièce, passer en revue les différentes étapes pour découvrir laquelle aurait été oubliée.
2. Vérifier la présence de tous les outils.
3. Éliminer/recycler tous les matériaux d'emballage.
4. Avant d'utiliser la table de cuisson, utiliser une solution douce de nettoyage domestique et d'eau tiède pour la nettoyer. Sécher parfaitement avec un linge doux. Pour plus de renseignements, voir la section "Entretien de la table de cuisson" du Guide d'utilisation et d'entretien.
5. Lire "Utilisation de la table de cuisson" dans le Guide d'utilisation et d'entretien de la table de cuisson.
6. Reconnecter la source de courant électrique.

Si vous avez besoin d'assistance ou de service :

Consulter la section "Garantie" du Guide d'utilisation et d'entretien.

