

# ELECTRIC COOKTOP INSTALLATION INSTRUCTIONS

## INSTRUCTIONS D'INSTALLATION DE LA TABLE DE CUISSON

### Table of Contents

|  |   |
|--|---|
| COOKTOP SAFETY .....                   | 1 |
| INSTALLATION INSTRUCTIONS .....        | 2 |
| Tools and Parts .....                  | 2 |
| Location Requirements .....            | 2 |
| Electrical Requirements.....           | 3 |
| Prepare Cooktop for Installation ..... | 4 |
| Install Cooktop .....                  | 5 |
| Make Electrical Connection .....       | 6 |
| Attach Cooktop to Countertop.....      | 8 |
| Complete Installation.....             | 8 |

### Table des Matières

|  |    |
|--|----|
| SÉCURITÉ DE LA TABLE DE CUISSON                              | 9  |
| INSTRUCTIONS D'INSTALLATION .....                            | 9  |
| Outillage et pièces.....                                     | 9  |
| Exigences d'emplacement.....                                 | 9  |
| Spécifications électriques .....                             | 11 |
| Préparation de la table de cuisson pour l'installation ..... | 12 |
| Installation de la table de cuisson.....                     | 13 |
| Raccordement électrique.....                                 | 14 |
| Fixation de la table de cuisson au plan de travail .....     | 16 |
| Achever l'installation .....                                 | 16 |

## COOKTOP SAFETY

### Your safety and the safety of others are very important.

We have provided many important safety messages in this manual and on your appliance. Always read and obey all safety messages.



This is the safety alert symbol.

This symbol alerts you to potential hazards that can kill or hurt you and others.

All safety messages will follow the safety alert symbol and either the word "DANGER" or "WARNING."

These words mean:

**⚠ DANGER**

**You can be killed or seriously injured if you don't immediately follow instructions.**

**⚠ WARNING**

**You can be killed or seriously injured if you don't follow instructions.**

All safety messages will tell you what the potential hazard is, tell you how to reduce the chance of injury, and tell you what can happen if the instructions are not followed.

#### IMPORTANT:

**Installer:** Leave installation instructions with the homeowner.

**Homeowner:** Keep installation instructions for future reference.

Save installation instructions for local electrical inspector's use.

#### IMPORTANT :

**Installateur :** Remettre les instructions d'installation au propriétaire.

**Propriétaire :** Conserver les instructions d'installation pour référence ultérieure.

Conserver les instructions d'installation pour consultation par l'inspecteur local des installations électriques.

# INSTALLATION INSTRUCTIONS

## Tools and Parts

Gather the required tools and parts before starting installation.

### Tools needed

- Tape measure
- Marker or pencil
- Flat-blade screwdriver
- Pliers

### Parts supplied

- Clamp brackets (2)
- 2½" (6.4 cm) clamping screws (2)

### Parts needed

- A UL listed or CSA approved conduit connector
- UL listed wire nuts

Check local codes. Check existing electrical supply. See "Electrical Requirements."

All electrical connections should be made by a licensed, qualified electrical installer.

## Location Requirements

Proper installation is your responsibility. Make sure you have everything needed for correct installation. It is the responsibility of the installer to comply with the installation clearances specified in these instructions.

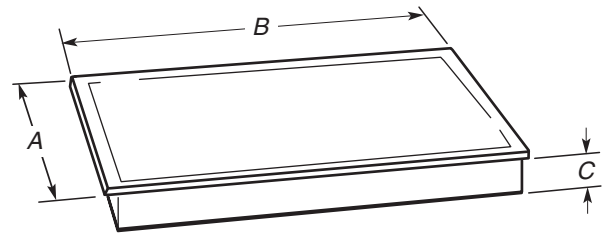
**IMPORTANT:** Observe all governing codes and ordinances. When installing cooktop, use minimum dimensions given.

- To eliminate the risk of burns or fire by reaching over the heated surface units, cabinet storage space located above the surface units should be avoided. If cabinet storage is to be provided, the risk can be reduced by installing a range hood that projects horizontally a minimum of 5" (12.7 cm) beyond the bottom of the cabinets.
- The cooktop must be a specified cooktop that is approved to be installed either alone or over an undercounter built-in oven. Check the cooktop burner box for an approved installation label. If you do not find this label, contact your dealer to confirm that your cooktop is approved.
- Ovens approved for this type of installation will have an approval label located on the top of the oven. If you do not find this label, contact your dealer to confirm that your oven is approved. Refer to oven manufacturer's Installation Instructions for approval for built-in undercounter use and proper cutout dimensions.

- When installing cooktop over an undercounter built-in oven, do not fasten cooktop to countertop with clamps. This will make the cooktop easier to remove if future servicing becomes necessary.
- The cooktop should be installed away from strong draft areas, such as windows, doors, fans or strong heating vents. The cooktop should be located for convenient use in the kitchen.
- Use the countertop opening dimensions that are given with these Installation Instructions. Given dimensions are minimum clearances and provide 0" (0 cm) clearance.
- Grounded electrical supply is required. See "Electrical Requirements" section.

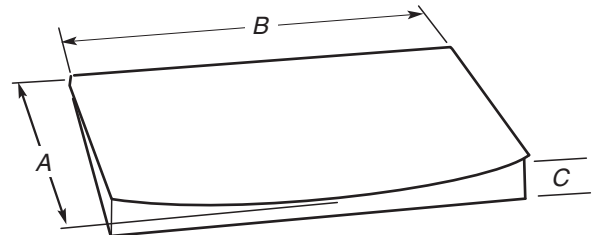
## Product Dimensions

### Straight-edge cooktop



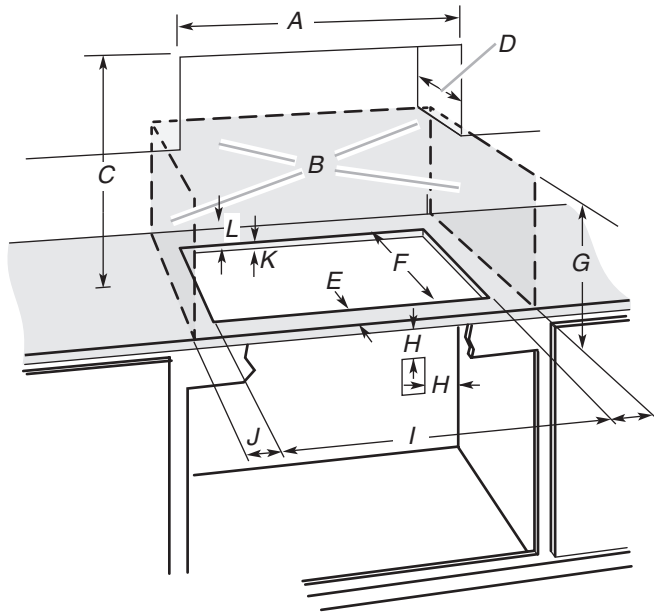
- A. 21<sup>5</sup>/<sub>16</sub>" (54.1 cm)
- B. 16<sup>9</sup>/<sub>16</sub>" (42.1 cm)
- 30<sup>5</sup>/<sub>16</sub>" (77.1 cm)
- 36<sup>5</sup>/<sub>16</sub>" (92.3 cm)
- C. 2<sup>7</sup>/<sub>8</sub>" (7.3 cm)

### Curved-edge cooktop



- A. 22<sup>1</sup>/<sub>8</sub>" (56.1 cm)
- B. 16<sup>9</sup>/<sub>16</sub>" (42.1 cm)
- 30<sup>5</sup>/<sub>16</sub>" (77.1 cm)
- 36<sup>5</sup>/<sub>16</sub>" (92.3 cm)
- C. 2<sup>7</sup>/<sub>8</sub>" (7.3 cm)

## Installation Clearances



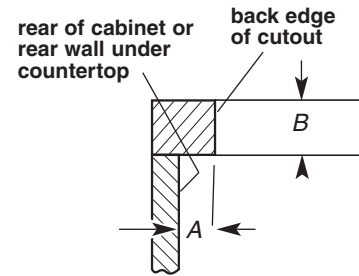
- A. 15" (38.1 cm) on 15" (38.1 cm) models; 30" (76.2 cm) on 30" (76.2 cm) models; 36" (91.4 cm) on 36" (91.4 cm) models
- B. Combustible area above countertop (shown by dashed box above)
- C. 30" (76.2 cm) minimum clearance between top of cooktop platform and bottom of unprotected wood or metal cabinet (24" [61 cm] minimum clearance if bottom of wood or metal cabinet is protected by not less than ¼" [0.6 cm] flame retardant millboard covered with not less than No. 28 MSG sheet steel, 0.015" [0.04 cm] stainless steel, or 0.024" [0.06 cm] aluminum or 0.020" [0.05 cm] copper)
- D. 13" (33 cm) recommended upper cabinet depth
- E. 2" (5.1 cm)
- F. 20½" (52 cm)
- G. 18" (45.7 cm) minimum clearance from upper cabinet to countertop within minimum horizontal clearances to cooktop
- H. Junction box or outlet; 12" (30.5 cm) minimum from bottom of countertop; 10" (25.4 cm) from right side of cabinet
- I. 14½" (36.8 cm) on 15" (38.1 cm) models; 29½" (74.9 cm) on 30" (76.2 cm) models; 35½" (90.2 cm) on 36" (91.4 cm) models
- J. 1" (2.5 cm) minimum distance to nearest left and right side combustible surface above cooktop
- K. 1½" (3.8 cm) max. counter thickness on 15" (38.1 cm) models. See following illustration.
- L. 1" (2.5 cm) minimum clearance between back wall and countertop

**NOTES:** After making the countertop cutout, some installations may require notching down the base cabinet side walls to clear the burner box. To avoid this modification, use a base cabinet with sidewalls wider than the cutout.

If cabinet has a drawer, a 3" (7.6 cm) depth clearance from the countertop to the top of the drawer (or other obstruction) in base cabinet is required.

When installing a hood above this cooktop, follow the installation instructions included with the hood itself.

For model 15" (38.1 cm) model only:



- A. 1¼" (1.7 cm) min.
- B. 1½" (3.8 cm) max.

## Electrical Requirements

For 15" (38.1 cm) model only:

### ⚠ WARNING



#### Electrical Shock Hazard

**Disconnect power before servicing.**

**Use 12 gauge copper wire.**

**Electrically ground cooktop.**

**Failure to follow these instructions can result in death, fire, or electrical shock.**

For all models except 15" (38.1 cm) model:

### ⚠ WARNING



#### Electrical Shock Hazard

**Disconnect power before servicing.**

**Use 8 gauge copper wire.**

**Electrically ground cooktop.**

**Failure to follow these instructions can result in death, fire, or electrical shock.**

If codes permit and a separate ground wire is used, it is recommended that a qualified electrical installer determine that the ground path and wire gauge are in accordance with local codes.

Do not ground to a gas pipe.

Check with a qualified electrical installer if you are not sure the cooktop is properly grounded.

Do not have a fuse in the neutral or ground circuit.

Make sure that the electrical connection and wire size are adequate and in conformance with the National Electrical Code, ANSI/NFPA 70-latest edition or CSA Standards C22.1-94, Canadian Electrical Code, Part 1 and C22.2 No. O-M91-latest edition, and all local codes and ordinances.

A copy of the above code standards can be obtained from:

National Fire Protection Association  
One Batterymarch Park  
Quincy, MA 02269  
CSA International  
8501 East Pleasant Valley Road  
Cleveland, OH 44131-5575

### Before You Make the Electrical Connection:

To properly install your cooktop, you must determine the type of electrical connection you will be using and follow the instructions provided for it here.

- A 4-wire or 3-wire, single phase, 240 volt, 60 Hz., AC only electrical supply is required on a separate, 40-amp circuit, fused on both sides of the line.  
**NOTE:** The 15" (38.1 cm) model series requires a 20-amp circuit.
- The cooktop should be connected directly to the junction box through flexible, armored or nonmetallic sheathed, copper cable. The flexible, armored cable extending from the fuse box or circuit breaker box should be connected directly to the junction box.
- Locate the junction box to allow as much slack as possible between the junction box and the cooktop so that the cooktop can be moved if servicing becomes necessary in the future.
- Do not cut the conduit. Use the length of conduit provided.
- A UL listed or CSA approved conduit connector must be provided at each end of the power supply cable (at the cooktop and at the junction box). A listed conduit connector is already provided at the cooktop.
- If the house has aluminum wiring, connect the aluminum wiring to the copper wire by using special connectors designed and UL listed for joining copper to aluminum. Follow the electrical connector manufacturer's recommended procedure. Aluminum/copper connection must conform with local codes and industry accepted wiring practices.

## Prepare Cooktop for Installation

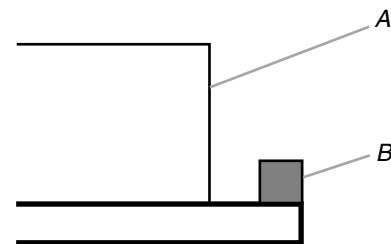
### **⚠ WARNING**

#### **Excessive Weight Hazard**

**Use two or more people to move and install cooktop.  
Failure to do so can result in back or other injury.**

1. Decide on the final location for the cooktop. Locate existing wiring to prevent drilling into or severing wiring during installation.
2. Place the cooktop upside down on a protective surface.
3. Remove foam strip from literature packing. Remove backing from foam strip. Apply foam strip adhesive-side down around bottom of cooktop, flush with edge.

**NOTE:** The foam strip protects the underside of the cooktop glass from debris and helps the cooktop sit flat on uneven counters.



A. Burner box  
B. Foam strip

## Install Cooktop

### Style 1: Cooktop over undercounter built-in oven

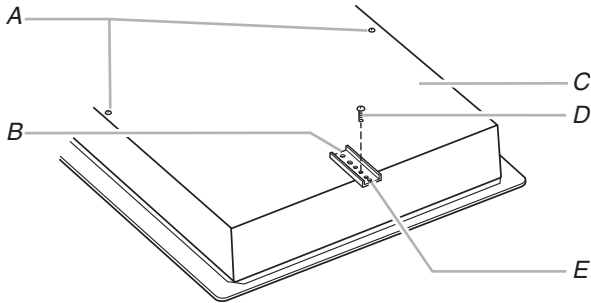
**IMPORTANT:** Clamp brackets should not be used.

1. Turn cooktop right side up.
2. Place cooktop in cutout.

**NOTE:** Make sure that the front edge of the cooktop is parallel to the front edge of the countertop. If repositioning is needed, lift entire cooktop up from cutout to prevent scratching the countertop.

### Style 2: Cooktop over cabinets

1. Determine whether your cabinet construction provides clearance for installing clamp brackets at burner box ends. This is the recommended location. Clamp brackets can be installed on the front and back of burner box bottom, if necessary.

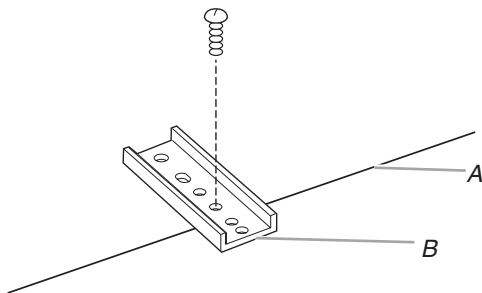


- A. Attachment screw holes for optional front and back location
- B. Clamp bracket (end locations recommended)
- C. Burner box bottom
- D. Attachment screw
- E. Attachment screw location (recommended)

2. The clamp brackets can be installed before or after the cooktop is placed into the cutout. Complete the following steps for the option you choose.

### Installing Brackets Before Placing Cooktop in Cutout

1. Remove the attachment screws for the selected bracket locations from the bottom of the burner box.
2. Select bracket mounting holes that will allow the bracket to extend far enough out from the cooktop for the installation of 2½" (6.4 cm) clamping screws. See "Attach Cooktop to Countertop" for illustration of clamping screw installation.



- A. Edge of burner box bottom
- B. Clamp bracket

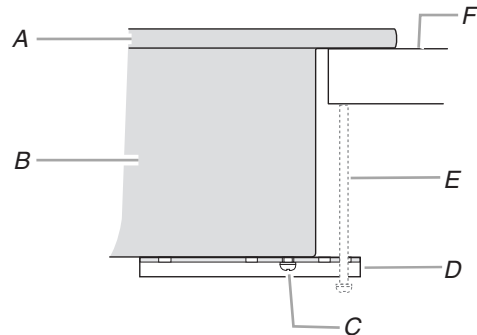
3. Attach brackets to burner box bottom with bracket attachment screws using the bracket mounting holes selected in Step 2.
4. Rotate brackets so they do not extend beyond edge of burner box.
5. Tighten screws just enough to hold brackets in place when cooktop is put in cutout.
6. Turn the cooktop right side up and place in cutout.
 

**NOTE:** Make sure that the front edge of the cooktop is parallel to the front edge of the countertop. If repositioning is needed, lift entire cooktop up from cutout to prevent scratching the countertop.
7. Loosen the screws and rotate the brackets so that they are perpendicular to the edge of the burner box and extend beyond its edge. Securely tighten screws.

### Installing Brackets After Placing Cooktop in Cutout

1. Place cooktop in cutout.
 

**NOTE:** Make sure that the front edge of the cooktop is parallel to the front edge of the countertop. If repositioning is needed, lift entire cooktop up from cutout to prevent scratching the countertop.
2. Remove the attachment screws for the selected bracket locations from the bottom of the burner box.
3. Select bracket mounting holes that will allow the bracket to extend far enough out from the cooktop for the installation of 2½" (6.4 cm) clamping screws.



- A. Glass cooktop
- B. Burner box
- C. Attachment screw
- D. Clamp bracket (extends far enough beyond burner box to allow installation of clamping screws)
- E. 2½" (6.4 cm) clamping screw (to be installed in "Attach Cooktop to Countertop")
- F. Countertop

4. Attach brackets to burner box bottom with bracket attachment screws using the bracket mounting holes selected in Step 3. Securely tighten screws.

## Make Electrical Connection

For 15" (38.1 cm) model only:

### ⚠ WARNING



#### Electrical Shock Hazard

**Disconnect power before servicing.**

**Use 12 gauge copper wire.**

**Electrically ground cooktop.**

**Failure to follow these instructions can result in death, fire, or electrical shock.**

For all models except 15" (38.1 cm) model:

### ⚠ WARNING



#### Electrical Shock Hazard

**Disconnect power before servicing.**

**Use 8 gauge copper wire.**

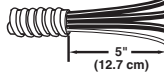
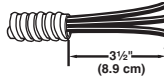
**Electrically ground cooktop.**

**Failure to follow these instructions can result in death, fire, or electrical shock.**

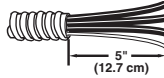
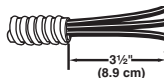
This cooktop is manufactured with a frame connected, green or bare ground wire. Connect the cooktop cable to the junction box through the UL listed or CSA approved conduit connector.

### Electrical Connection Options

For cooktops with a 4-wire cable:

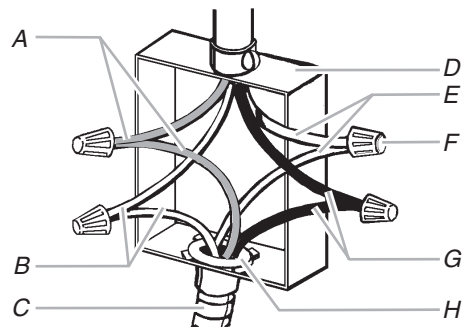
| If your home has:   | And you will be connecting to:            | Go to Section:  |
|---|---|---|
| 4-wire direct<br> | A fused disconnect or circuit breaker box | 4-Wire Cable from Power Supply to 4-Wire Cable from Cooktop |
| 3-wire direct<br> | A fused disconnect or circuit breaker box | 3-Wire Cable from Power Supply to 4-Wire Cable from Cooktop |

For cooktops with a 3-wire cable:

| If your home has:   | And you will be connecting to:            | Go to Section:  |
|---|---|---|
| 4-wire direct<br>   | A fused disconnect or circuit breaker box | 4-Wire Cable from Power Supply to 3-Wire Cable from Cooktop |
| 3-wire direct<br> | A fused disconnect or circuit breaker box | 3-Wire Cable from Power Supply to 3-Wire Cable from Cooktop |

#### 4-Wire Cable from Power Supply to 4-Wire Cable from Cooktop

**IMPORTANT:** Use the 4-wire cable from power supply where local codes do not permit connecting the frame-ground conductor to the neutral (white) junction box wire.



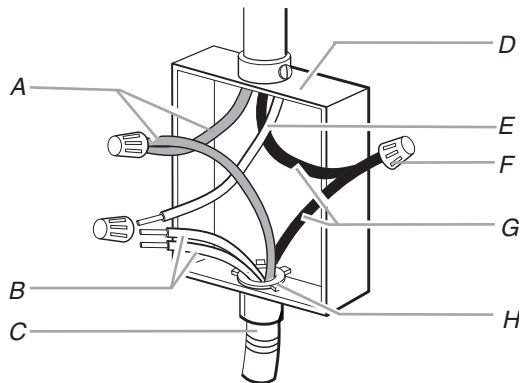
- |                              |  |
|------------------------------|--|
| A. Red wires                 | E. White wires                                 |
| B. Bare or green wires       | F. UL listed wire nut                          |
| C. 4-Wire cable from cooktop | G. Black wires                                 |
| D. Junction box              | H. UL listed or CSA approved conduit connector |

1. Disconnect power.
2. Remove junction box cover, if present.

3. Connect the flexible cable conduit from the cooktop to the junction box using a UL listed or CSA approved conduit connector.
4. Tighten screws on conduit connector if present.
5. Connect the two black wires together using the UL listed wire nuts.
6. Connect the two red wires together using the UL listed wire nuts.
7. Connect the two white wires together using the UL listed wire nuts.
8. Connect the green or bare ground wire from the cooktop cable to the green or bare ground wire (in the junction box) using the UL listed wire nuts.
9. Install junction box cover.
10. Reconnect power.

### 3-Wire Cable from Power Supply to 4-Wire Cable from Cooktop

**IMPORTANT:** Use the 3-wire cable from power supply where local codes permit connecting the frame-ground conductor to the neutral (white) junction box wire:

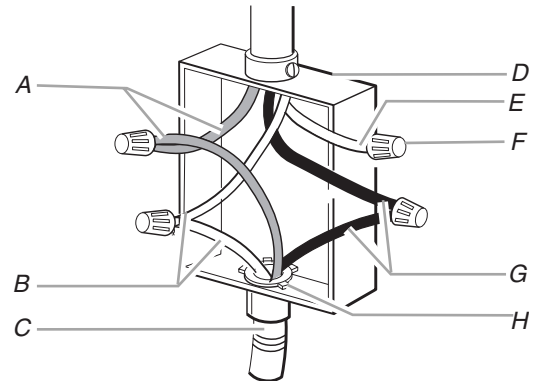


- |  |  |
|--|--|
| A. Red wires   | E. White wire (from power supply)              |
| B. White and green or bare ground wires (from cooktop) | F. UL listed wire nut                          |
| C. 3-Wire cable from cooktop                           | G. Black wires                                 |
| D. Junction box  | H. UL listed or CSA approved conduit connector |

1. Disconnect power.
2. Remove junction box cover if present.
3. Connect the flexible, cable conduit from the cooktop to the junction box using UL listed or CSA approved conduit connector.
4. Tighten screws on conduit connector, if present.
5. Connect the two black wires together using the UL listed wire nuts.
6. Connect the two red wires together using the UL listed wire nuts.
7. Connect the green or bare and white cooktop cable wires to the white (neutral) wire in the junction box using the UL listed wire nuts.
8. Install junction box cover.
9. Reconnect power.

### 4-Wire Cable from Power Supply to 3-Wire Cable from Cooktop

**IMPORTANT:** Use the 4-wire cable from power supply where local codes do not permit connecting the frame-ground conductor to the neutral (white) junction box wire:

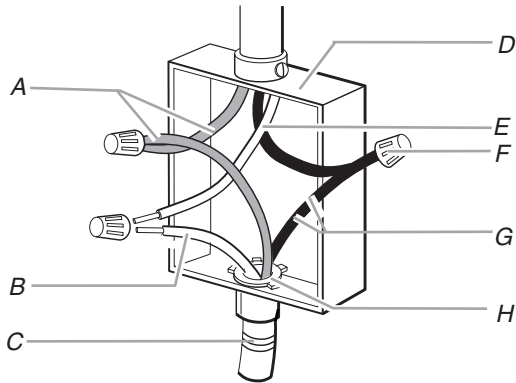


- |   |  |
|---|--|
| A. Red wires                                | E. White wire (from power supply)              |
| B. Green or bare ground wire (from cooktop) | F. UL listed wire nut                          |
| C. 3-Wire cable from cooktop                | G. Black wires                                 |
| D. Junction box                             | H. UL listed or CSA approved conduit connector |

1. Disconnect power
2. Remove junction box cover if present.
3. Connect the flexible cable conduit from the cooktop to the junction box using a UL listed or CSA approved conduit connector.
4. Tighten screws on conduit connector, if present.
5. Connect the two black wires together using the UL listed wire nuts.
6. Connect the two red wires together using the UL listed wire nuts.
7. Connect the green or bare ground wire from the cooktop cable to the green or bare ground wire (in the junction box) using the UL listed wire nuts.
8. Put a UL listed wire nut on the end of the white wire.  
**NOTE:** Do not connect the bare ground wire to the neutral (white) wire in the junction box.
9. Install junction box cover.
10. Reconnect power.

### 3-Wire Cable from Power Supply to 3-Wire Cable from Cooktop

**IMPORTANT:** Use the 3-wire cable from power supply where local codes permit connecting the frame-ground conductor to the neutral (white) junction box wire:

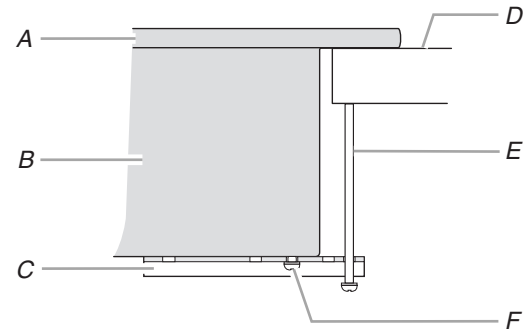


- |                                    |  |
|------------------------------------|--|
| A. Red wires                       | E. White wire (from power supply)              |
| B. Bare or green wire from cooktop | F. UL listed wire nut                          |
| C. 3-wire cable (from cooktop)     | G. Black wire                                  |
| D. Junction box                    | H. UL listed or CSA approved conduit connector |

1. Disconnect power
2. Remove junction box cover, if present.
3. Connect the flexible cable conduit from the cooktop to the junction box using a UL listed or CSA approved conduit connector.
4. Tighten screws on conduit connector if present.
5. Connect the two black wires together using the UL listed wire nuts.
6. Connect the two red wires together using the UL listed wire nuts.
7. Connect the green or bare cooktop cable wires to the white (neutral) wire in the junction box using the UL listed wire nuts.
8. Install junction box cover.
9. Reconnect power.

### Attach Cooktop to Countertop

**NOTE:** This section applies only if you are using clamp brackets.



- |                  |                                |
|------------------|--------------------------------|
| A. Glass cooktop | D. Countertop                  |
| B. Burner box    | E. 2½" (6.4 cm) clamping screw |
| C. Clamp bracket | F. Attachment screw            |

1. Place the 2½" (6.4 cm) clamping screws into the brackets.
2. Check to be sure the cooktop is still level.
3. Use a flat-blade screwdriver to tighten the screws against the countertop. Do not overtighten.

### Complete Installation

1. Check that all parts are now installed. If there is an extra part, go back through the steps to see which step was skipped.
2. Dispose of/recycle all packaging materials.
3. Use a mild solution of liquid household cleaner and warm water to remove waxy residue caused by protective shipping material. Dry thoroughly with a soft cloth. For more information, see the "Cooktop Care" section of the Use and Care Guide.
4. Read "Cooktop Use" in the cooktop Use and Care Guide.

**NOTE:** If the cooktop does not work after turning on the power, check that a circuit breaker has not tripped or a house fuse has not blown. See "Troubleshooting" section in the Use and Care Guide for further information.

#### If you need Assistance or Service:

Please reference the "Assistance or Service" section of the Use and Care Guide or contact the dealer from whom you purchased your cooktop.



# SÉCURITÉ DE LA TABLE DE CUISSON

## Votre sécurité et celle des autres est très importante.

Nous donnons de nombreux messages de sécurité importants dans ce manuel et sur votre appareil ménager. Assurez-vous de toujours lire tous les messages de sécurité et de vous y conformer.



Voici le symbole d'alerte de sécurité.

Ce symbole d'alerte de sécurité vous signale les dangers potentiels de décès et de blessures graves à vous et à d'autres.

Tous les messages de sécurité suivront le symbole d'alerte de sécurité et le mot "DANGER" ou "AVERTISSEMENT". Ces mots signifient :

**⚠ DANGER**

**Risque possible de décès ou de blessure grave si vous ne suivez pas immédiatement les instructions.**

**⚠ AVERTISSEMENT**

**Risque possible de décès ou de blessure grave si vous ne suivez pas les instructions.**

Tous les messages de sécurité vous diront quel est le danger potentiel et vous disent comment réduire le risque de blessure et ce qui peut se produire en cas de non-respect des instructions.

## INSTRUCTIONS D'INSTALLATION

### Outillage et pièces

Rassembler les outils et pièces nécessaires avant de commencer l'installation.

#### Outils nécessaires

- Mètre-ruban
- Marqueur ou crayon
- Tournevis à lame plate
- Pince

#### Pièces fournies

- Brides de fixation (2)
- Vis de fixation de 2½" (6,4 cm) (2)

#### Pièces nécessaires

- Un connecteur de conduit - homologation UL ou CSA
- Connecteurs de fils - homologation UL

Consulter les codes locaux. Inspecter la source d'électricité disponible. Voir "Spécifications électriques".

Toute opération sur les circuits électriques doit être exécutée par un installateur/électricien qualifié et certifié.

### Exigences d'emplacement

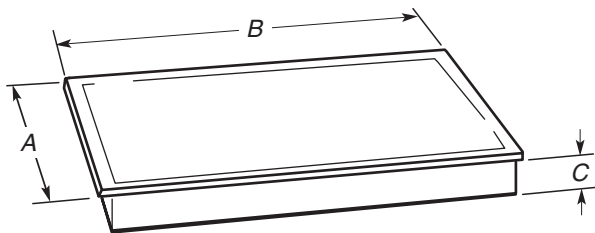
C'est à l'utilisateur qu'incombe la responsabilité d'assurer une installation convenable. S'assurer d'avoir tout le nécessaire pour une installation convenable. C'est à l'installateur qu'incombe la responsabilité de se conformer aux espacements d'installation spécifiés dans ces instructions.

**IMPORTANT** : Respecter toutes les prescriptions des codes et règlements en vigueur. Lors de l'installation de la table de cuisson, utiliser les dimensions minimum indiquées.

- Afin de supprimer le risque de brûlures ou d'incendie en se penchant au-dessus des unités de surface chauffées, le rangement en armoire au-dessus des unités de surface doit être évité. Si le rangement en armoire est envisagé, le risque peut être réduit par l'installation d'une hotte de cuisine opérant horizontalement sur un minimum de 5" (12,7 cm) au-delà du bas des armoires.
- La table de cuisson doit être spécifique, et son installation approuvée seule ou sur un four encastré sous comptoir. Vérifier que la boîte de brûleur comporte une étiquette d'installation approuvée. Si vous ne trouvez pas cette étiquette, contactez votre vendeur pour confirmer que votre table de cuisson est bien approuvée.
- Les fours approuvés pour ce type d'installation comportent une étiquette d'approbation située sur le dessus du four. Si vous ne trouvez pas cette étiquette, contactez votre vendeur pour confirmer que votre four est bien approuvé. Consulter les Instructions d'installation du fabricant du four pour obtenir l'approbation de l'utilisation en encastrement et les dimensions correctes.
- Pour l'installation de la table de cuisson sur un four encastré sous comptoir, ne pas fixer la table de cuisson au dessus du comptoir avec des brides. Ceci facilitera la dépose de la table de cuisson plus tard en cas de besoin de réparation.
- La table de cuisson doit être installée à l'écart des zones de forts courants d'air, telles que fenêtres, portes et événements ou ventilateurs de chauffage puissants. La table de cuisson doit être installée à un endroit pratique dans la cuisine.
- Utiliser les dimensions d'ouverture du dessus du comptoir qui sont indiquées dans ces Instructions d'installation. Les dimensions données sont les espacements minimum et fournissent un dégagement de 0" (0 cm).
- L'alimentation électrique reliée à la terre est nécessaire. Voir la section "Spécifications électriques".

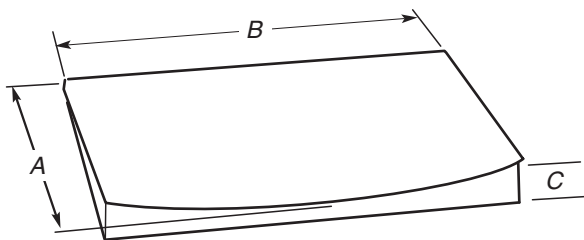
## Dimensions du produit

### Table de cuisson à bord droit



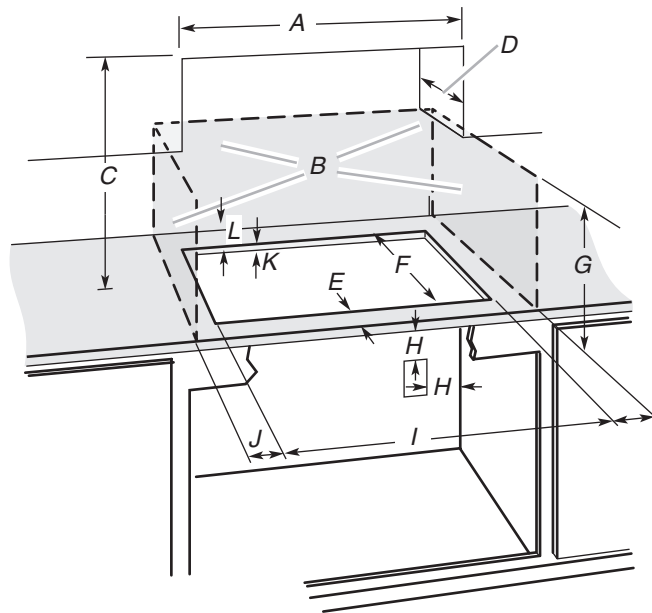
- A. 21<sup>5</sup>/<sub>16</sub>" (54,1 cm)
- B. 16<sup>9</sup>/<sub>16</sub>" (42,1 cm)  
30<sup>5</sup>/<sub>16</sub>" (77,1 cm)  
36<sup>5</sup>/<sub>16</sub>" (92,3 cm)
- C. 2<sup>7</sup>/<sub>8</sub>" (7,3 cm)

### Table de cuisson à bord arrondi



- A. 22<sup>1</sup>/<sub>8</sub>" (56,1 cm)
- B. 16<sup>9</sup>/<sub>16</sub>" (42,1 cm)  
30<sup>5</sup>/<sub>16</sub>" (77,1 cm)  
36<sup>5</sup>/<sub>16</sub>" (92,3 cm)
- C. 2<sup>7</sup>/<sub>8</sub>" (7,3 cm)

## Dégagements de séparation nécessaires pour l'installation



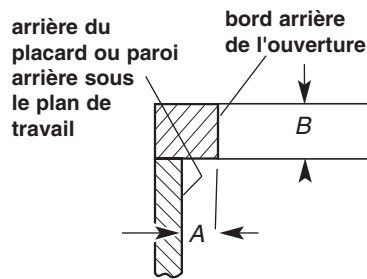
- A. 15" (38,1 cm) pour modèles de 15" (38,1 cm); 30" (76,2 cm) pour modèles de 30" (76,2 cm); 36" (91,4 cm) pour modèles de 36" (91,4 cm)
- B. Zone avec matériau combustible au-dessus du plan de travail (illustrée par la zone en pointillés ci-dessus)
- C. Distance d'au moins 30" (76,2 cm) entre le dessus de la plateforme de la table de cuisson et la face inférieure de bois ou de métal non protégée des placards (distance d'au moins 24" [61 cm] si le fond des placards de métal ou de bois est protégé par un matériau résistant aux flammes d'au moins 1/4" [0,6 cm] recouvert d'une tôle épaisse d'au moins calibre MSG n° 28 pour l'acier, 0,015" [0,04 cm] pour l'acier inoxydable, ou 0,024" [0,06 cm] pour l'aluminium ou 0,020" [0,05 cm] pour le cuivre)
- D. Profondeur recommandée des placards muraux 13" (33 cm)
- E. 2" (5,1 cm)
- F. 20<sup>1</sup>/<sub>2</sub>" (52 cm)
- G. Dégagement minimal de 18" (45,7 cm) entre le placard mural et le plan de travail compatible avec la distance minimale horizontale imposée pour la table de cuisson
- H. Boîtier de connexion ou prise électrique; 12" (30,5 cm) ou plus depuis la face inférieure du plan de travail; 10" (25,4 cm) depuis le côté droit du placard
- I. 14<sup>1</sup>/<sub>2</sub>" (36,8 cm) pour modèles de 15" (38,1 cm); 29<sup>1</sup>/<sub>2</sub>" (74,9 cm) pour modèles de 30" (76,2 cm); 35<sup>1</sup>/<sub>2</sub>" (90,2 cm) pour modèles de 36" (91,4 cm)
- J. Distance minimale de 1" (2,5 cm) jusqu'au plus proche matériau combustible à gauche ou à droite au-dessus de la table de cuisson
- K. Épaisseur du plan de travail 1<sup>1</sup>/<sub>2</sub>" (3,8 cm) max. pour modèles de 15" (38,1 cm). Voir l'illustration suivante.
- L. Dégagement minimal de 1" (2,5 cm) entre le mur arrière et le plan de travail.

**REMARQUES :** Après avoir découpé l'ouverture qui recevra la table de cuisson, il peut être nécessaire d'entailler la paroi latérale du placard inférieur pour permettre le passage de la boîte de brûleur. Pour éviter cette modification, utiliser un placard inférieur dont la taille des parois latérales est supérieure à la taille de l'ouverture découpée.

Si le placard comporte un tiroir, on doit ménager un dégagement de 3" (7,6 cm) entre le plan de travail et le dessus du tiroir (ou autre obstruction) dans le placard inférieur.

Lors de l'installation d'une hotte de cuisine au dessus de cette table de cuisson, suivre les instructions d'installation qui accompagnent la hotte.

**Pour le modèle de 15" (38,1 cm) uniquement :**



A.  $1\frac{1}{16}$ " (1,7 cm) min.  
B.  $1\frac{1}{2}$ " (3,8 cm) max.

## Spécifications électriques

**Pour les modèles 15" (38,1 cm) uniquement :**

### ⚠ AVERTISSEMENT



#### Risque de choc électrique

**Déconnecter la source de courant électrique avant d'entreprendre le travail.**

**Utiliser du fil de cuivre de calibre 12.**

**Relier la table de cuisson à la terre.**

**Le non-respect de ces instructions peut causer un décès, un incendie ou un choc électrique.**

**Pour tous les modèles sauf le modèle de 15" (38,1 cm) :**

### ⚠ AVERTISSEMENT



#### Risque de choc électrique

**Déconnecter la source de courant électrique avant d'entreprendre le travail.**

**Utiliser du fil de cuivre de calibre 8.**

**Relier la table de cuisson à la terre.**

**Le non-respect de ces instructions peut causer un décès, un incendie ou un choc électrique.**

Si on utilise un conducteur distinct de liaison à la terre lorsque les codes le permettent, il est recommandé qu'un électricien qualifié vérifie que la liaison à la terre et le calibre pour fils sont conformes aux codes locaux.

Ne pas relier à la terre une canalisation de gaz.

Vérifier avec un électricien qualifié si vous avez des doutes quant à la qualité de la liaison à la terre de la table de cuisson.

Ne pas avoir de fusible dans le circuit neutre ou de liaison à la terre.

S'assurer que la connexion électrique et le calibre des fils sont appropriés et conformes à la norme National Electrical Code, aux normes ANSI/NFPA 70 - dernière édition, ou aux normes CSA C22.1-94, au Code canadien de l'électricité, Partie 1 et C22.2 N° O-M91 - dernière édition, et à tous les codes et règlements locaux.

Pour obtenir un exemplaire de la norme des codes ci-dessus, contacter :

National Fire Protection Association  
One Batterymarch Park  
Quincy, MA 02269  
CSA International  
8501 East Pleasant Valley Road  
Cleveland, OH 44131-5575

### Avant d'établir la connexion électrique :

Pour installer la table de cuisson correctement, il faut établir le type de raccords électriques que l'on utilisera et suivre les instructions indiquées ici.

- L'appareil doit être alimenté uniquement par un circuit monophasé de 240 V, CA seulement, 60 Hz à 3 ou 4 fils sur un circuit séparé de 40 ampères, fusionné aux deux extrémités de la ligne.  
**REMARQUE :** La série de modèles de 15" (38,1 cm) nécessite un circuit de 20 ampères.
- La table de cuisson doit être reliée directement au boîtier de connexion par un câble de cuivre flexible, gainé, blindé ou non métallique. Le câble flexible blindé provenant du coffret à fusibles ou du boîtier de disjoncteurs doit être relié directement au boîtier de connexion.
- Repérer le boîtier de connexion pour laisser le plus d'espace possible entre celui-ci et la table de cuisson pour pouvoir déplacer la table de cuisson en cas de besoin de réparation à l'avenir.
- Ne pas couper le conduit. Utiliser la longueur de conduit fournie.
- Un connecteur de conduit homologué UL ou CSA doit être fourni à chaque extrémité du câble d'alimentation électrique (à la table de cuisson et au boîtier de connexion). Un connecteur de conduit homologué est déjà fourni à la table de cuisson.
- Si le domicile est équipé d'un câblage en aluminium, le connecter au fil de cuivre en utilisant les connecteurs spécialement conçus et homologués UL pour raccorder le cuivre à l'aluminium. Suivre la procédure recommandée par le fabricant pour les connecteurs électriques. La connexion aluminium/cuivre doit être conforme aux codes locaux et aux pratiques acceptées par l'industrie.

## Préparation de la table de cuisson pour l'installation

### **⚠ AVERTISSEMENT**

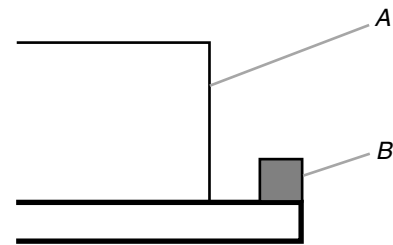
#### Risque du poids excessif

**Utiliser deux ou plus de personnes pour déplacer et installer la table de cuisson.**

**Le non-respect de cette instruction peut causer une blessure au dos ou d'autre blessure.**

1. Déterminer l'emplacement final de la table de cuisson. Repérer le câblage existant pour éviter de le percer ou de l'endommager lors de l'installation.
2. Placer la table de cuisson à l'envers sur une surface protectrice.
3. Enlever la bande de mousse de l'emballage. Retirer l'endos de la bande de mousse. Appliquer le côté adhésif de la bande de mousse autour du fond de la table de cuisson, en affleurement avec le rebord.

**REMARQUE :** La bande de mousse protège la face inférieure du verre de la table de cuisson des débris et aide la table de cuisson à reposer à plat sur des plans de travail irréguliers.



A. Boîte de brûleur  
B. Bande de mousse

## Installation de la table de cuisson

### Style 1 : Table de cuisson sur four encastré sous comptoir

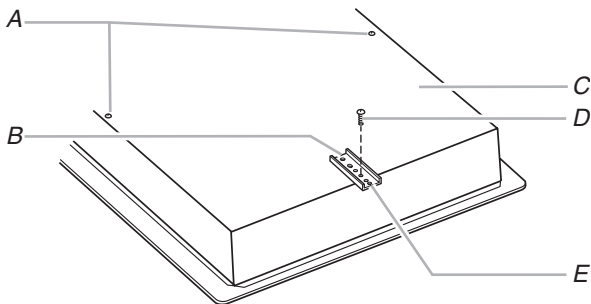
**IMPORTANT :** Ne pas utiliser de brides de fixation.

1. Tourner le côté droit de la table de cuisson vers le haut.
2. Placer la table de cuisson dans l'ouverture.

**REMARQUE :** S'assurer que le bord avant de la table de cuisson est parallèle au bord avant du plan de travail. S'il est nécessaire de repositionner la table de cuisson, la soulever entièrement de l'ouverture pour éviter d'endommager le plan de travail.

### Style 2 : Table de cuisson sur placards

1. Déterminer si l'installation des placards permet le dégagement nécessaire pour l'installation de brides de fixation aux extrémités de la boîte de brûleur. Il s'agit de l'emplacement recommandé. Des brides de fixation peuvent être installées à l'avant et à l'arrière de la partie inférieure de la boîte de brûleur, si nécessaire.

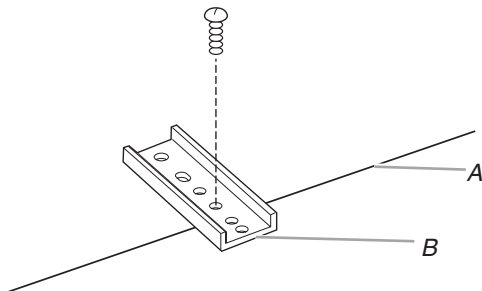


- A. Trous de vis d'attache pour emplacement facultatif à l'avant et à l'arrière.  
 B. Bride de fixation (emplacements aux extrémités recommandés)  
 C. Partie inférieure de la boîte de brûleur  
 D. Vis d'attache  
 E. Emplacement (recommandé) de la vis d'attache

2. Les brides de fixation peuvent être installées avant ou après le positionnement de la table de cuisson dans l'ouverture. Procéder aux étapes suivantes pour l'option choisie.

### Installation des brides avant de positionner la table de cuisson dans l'ouverture

1. Enlever les vis de fixation pour les emplacements de brides sélectionnés dans la partie inférieure de la boîte de brûleur.
2. Sélectionner les trous de montage des brides qui permettront aux brides de dépasser suffisamment de la table de cuisson pour l'installation des vis de fixation de 2 1/2" (6,4 cm). Voir "Fixation de la table de cuisson au plan de travail" pour une illustration de l'installation des vis de fixation.



- A. Bord de la partie inférieure de la boîte de brûleur  
 B. Bride de fixation

3. Fixer les brides à la partie inférieure de la boîte de brûleur à l'aide des vis d'attache en utilisant les trous de montage des brides sélectionnés à l'étape 2.
4. Faire tourner les brides de façon à ce qu'elles ne dépassent pas du bord de la boîte de brûleur.
5. Serrer les vis juste assez pour maintenir les brides en place lorsque la table de cuisson est positionnée dans l'ouverture.
6. Tourner la table de cuisson le côté droit vers le haut et la positionner dans l'ouverture.

**REMARQUE :** S'assurer que le bord avant de la table de cuisson est parallèle au bord avant du plan de travail. S'il est nécessaire de repositionner la table de cuisson, la soulever entièrement de l'ouverture pour éviter d'endommager le plan de travail.

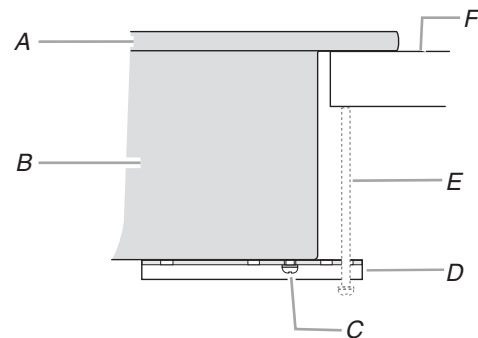
7. Desserrer les vis et faire tourner les brides pour qu'elles soient perpendiculaires au bord de la boîte de brûleur et qu'elles dépassent de son bord. Bien serrer les vis.

### Installation des brides après avoir positionné la table de cuisson dans l'ouverture

1. Placer la table de cuisson dans l'ouverture.

**REMARQUE :** S'assurer que le bord avant de la table de cuisson est parallèle au bord avant du plan de travail. S'il est nécessaire de repositionner la table de cuisson, la soulever entièrement de l'ouverture pour éviter d'endommager le plan de travail.

2. Enlever les vis d'attache pour les emplacements de brides sélectionnés dans la partie inférieure de la boîte de brûleur.
3. Sélectionner les trous de montage des brides qui permettront aux brides de dépasser suffisamment de la table de cuisson pour l'installation des vis de fixation de 2 1/2" (6,4 cm).



- A. Table de cuisson en verre  
 B. Boîte de brûleur  
 C. Vis d'attache  
 D. Bride de fixation (dépassant suffisamment de la boîte des brûleurs pour permettre l'installation des vis de fixation)  
 E. Vis de fixation de 2 1/2" (6,4 cm) (à installer dans "Fixation de la table de cuisson au plan de travail")  
 F. Plan de travail

4. Fixer les brides à la partie inférieure de la boîte de brûleur à l'aide des vis d'attache en utilisant les trous de montage des brides sélectionnés à l'étape 3. Bien serrer les vis.

## Raccordement électrique

Pour le modèle de 15" (38,1 cm) uniquement :

### ⚠ AVERTISSEMENT



#### Risque de choc électrique

Déconnecter la source de courant électrique avant d'entreprendre le travail.

Utiliser du fil de cuivre de calibre 12.

Relier la table de cuisson à la terre.

Le non-respect de ces instructions peut causer un décès, un incendie ou un choc électrique.

Pour tous les modèles sauf le modèle de 15" (38,1 cm) :

### ⚠ AVERTISSEMENT



#### Risque de choc électrique

Déconnecter la source de courant électrique avant d'entreprendre le travail.

Utiliser du fil de cuivre de calibre 8.

Relier la table de cuisson à la terre.

Le non-respect de ces instructions peut causer un décès, un incendie ou un choc électrique.

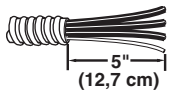
Un conducteur vert ou nu de liaison à la terre est connecté au châssis de la table de cuisson lors de la fabrication. Raccorder le câble de la table de cuisson au boîtier de connexion à l'aide du connecteur de conduit homologué UL ou CSA.

### Options de raccordement électrique

Pour tables de cuisson avec câble à 4 conducteurs

Câblage de la maison :

Direct - 4 conducteurs



Point de distribution :

Boîte de disjoncteur ou coupe-circuit avec fusible

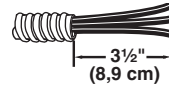
Voir la section suivante :

Câble à 4 conducteurs depuis le point de distribution avec câble à 4 conducteurs depuis la table de cuisson

Pour tables de cuisson avec câble à 4 conducteurs

Câblage de la maison :

Direct - 3 conducteurs



Point de distribution :

Boîte de disjoncteur ou coupe-circuit avec fusible

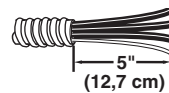
Voir la section suivante :

Câble à 3 conducteurs depuis le point de distribution avec câble à 4 conducteurs depuis la table de cuisson

Pour tables de cuisson avec câble à 3 conducteurs

Câblage de la maison :

Direct - 4 conducteurs



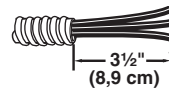
Point de distribution :

Boîte de disjoncteur ou coupe-circuit avec fusible

Voir la section suivante :

Câble à 4 conducteurs depuis le point de distribution avec câble à 3 conducteurs depuis la table de cuisson

Direct - 3 conducteurs



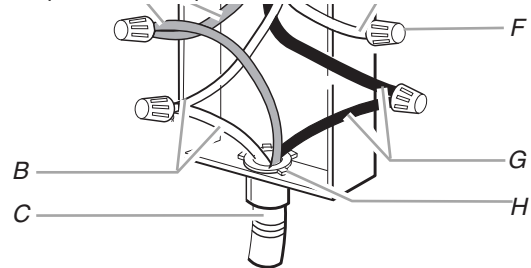
Point de distribution :

Boîte de disjoncteur ou coupe-circuit avec fusible

Câble à 3 conducteurs depuis le point de distribution avec câble à 3 conducteurs depuis la table de cuisson

### Câble à 4 conducteurs depuis le point de distribution avec câble à 4 conducteurs depuis la table de cuisson

**IMPORTANT :** Si les codes locaux ne permettent pas le raccordement du conducteur de liaison à la terre au conducteur blanc (neutre) dans le boîtier de connexion, utiliser le câble à 4 conducteurs provenant du point de distribution.



A. Conducteurs rouges

B. Conducteurs verts ou nus

C. Câble à 4 conducteurs depuis la table de cuisson

D. Boîtier de connexion

E. Conducteurs blancs

F. Connecteur de fils (homologation UL)

G. Conducteurs noirs

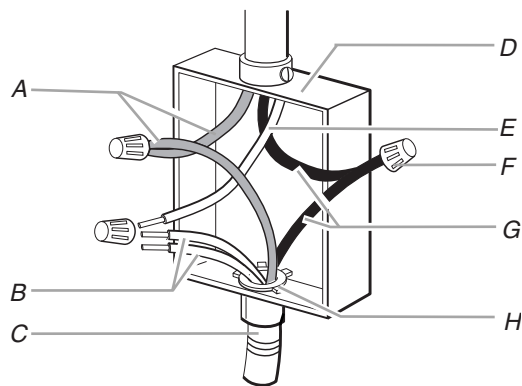
H. Connecteur de conduit (homologation UL ou CSA)

1. Déconnecter la source de courant électrique.
2. Le cas échéant, enlever le couvercle du boîtier de connexion.
3. Avec le connecteur de conduit (homologation UL ou CSA), connecter le conduit de câble flexible de la table de cuisson au boîtier de connexion.

4. Serrer les vis du connecteur de conduit, le cas échéant.
5. Connecter ensemble les deux connecteurs noirs avec le connecteur de fils (homologation UL).
6. Connecter ensemble les deux connecteurs rouges avec le connecteur de fils (homologation UL).
7. Connecter ensemble les deux connecteurs blancs avec le connecteur de fils (homologation UL).
8. Connecter le conducteur vert ou nu de liaison à la terre du câble de la table de cuisson avec le conducteur vert ou nu de liaison à la terre (dans le boîtier de connexion) avec un connecteur de fils (homologation UL).
9. Installer le couvercle du boîtier de connexion.
10. Reconnecter la source de courant électrique.

### Câble à 3 conducteurs depuis le point de distribution avec câble à 4 conducteurs depuis la table de cuisson

**IMPORTANT :** Utiliser le câble à 3 conducteurs provenant du point de distribution lorsque le code local en vigueur permet le raccordement entre le conducteur de liaison à la terre du châssis et le conducteur neutre (blanc) dans le boîtier de connexion :

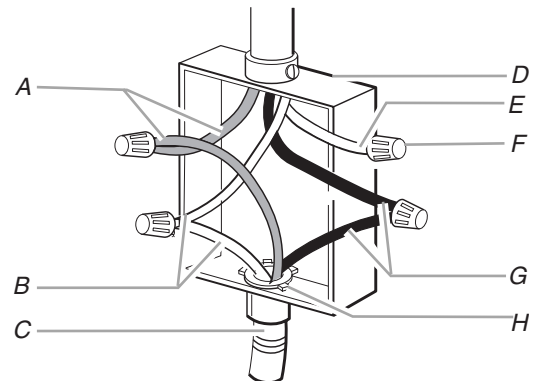


- |   |   |
|---|---|
| A. Conducteurs rouges   | E. Conducteur blanc (depuis le point de distribution) |
| B. Conducteurs blanc et vert ou nu de liaison à la terre (depuis la table de cuisson) | F. Connecteur de fils (homologation UL)               |
| C. Câble à 4 conducteurs depuis la table de cuisson                                   | G. Conducteurs noirs                                  |
| D. Boîtier de connexion   | H. Connecteur de conduit (homologation UL ou CSA)     |

1. Déconnecter la source de courant électrique.
2. Le cas échéant, enlever le couvercle du boîtier de connexion.
3. Connecter le conduit de câble flexible de la table de cuisson au boîtier de connexion avec un connecteur de conduit (homologation UL ou CSA).
4. Serrer les vis du connecteur de conduit, le cas échéant.
5. Connecter ensemble les deux connecteurs noirs avec un connecteur de fils (homologation UL).
6. Connecter ensemble les deux connecteurs rouges avec le connecteur de fils (homologation UL).
7. Connecter le conducteur vert ou nu et le conducteur blanc de la table de cuisson au conducteur blanc (neutre) dans le boîtier de connexion avec un connecteur de fils (homologation UL).
8. Installer le couvercle du boîtier de connexion.
9. Reconnecter la source de courant électrique.

### Câble à 4 conducteurs depuis le point de distribution avec câble à 3 conducteurs depuis la table de cuisson

**IMPORTANT :** Si les codes locaux ne permettent pas le raccordement du conducteur de liaison à la terre au conducteur blanc (neutre) dans le boîtier de connexion, utiliser le câble à 4 conducteurs provenant du point de distribution :

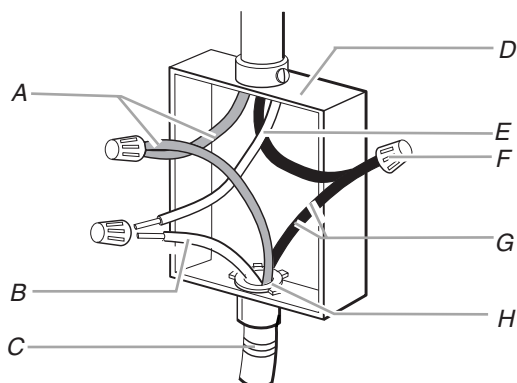


- |  |   |
|--|---|
| A. Conducteurs rouges                                    | E. Conducteur blanc (depuis le point de distribution) |
| B. Conducteurs verts ou nus (depuis la table de cuisson) | F. Connecteur de fils (homologation UL)               |
| C. Câble à 3 conducteurs depuis la table de cuisson      | G. Conducteurs noirs                                  |
| D. Boîtier de connexion                                  | H. Connecteur de conduit (homologation UL ou CSA)     |

1. Déconnecter la source de courant électrique.
  2. Le cas échéant, enlever le couvercle du boîtier de connexion.
  3. Avec le connecteur de conduit (homologation UL ou CSA), connecter le conduit de câble flexible de la table de cuisson au boîtier de connexion.
  4. Serrer les vis du connecteur de conduit, le cas échéant.
  5. Connecter ensemble les deux connecteurs noirs avec le connecteur de fils (homologation UL).
  6. Connecter ensemble les deux connecteurs rouges avec le connecteur de fils (homologation UL).
  7. Connecter le conducteur vert ou nu de liaison à la terre du câble de la table de cuisson avec le conducteur vert ou nu de liaison à la terre (dans le boîtier de connexion) avec un connecteur de fil (homologation UL).
  8. Placer un connecteur de fils (homologation UL) à l'extrémité du conducteur blanc.
- REMARQUE :** Ne pas connecter le conducteur nu de liaison à la terre au conducteur neutre (blanc) dans le boîtier de connexion.
9. Installer le couvercle du boîtier de connexion.
  10. Reconnecter la source de courant électrique.

## Câble à 3 conducteurs depuis le point de distribution avec câble à 3 conducteurs depuis la table de cuisson

**IMPORTANT :** Utiliser le câble à 3 conducteurs provenant du point de distribution lorsque le code local en vigueur permet le raccordement entre le conducteur de liaison à la terre du châssis et le conducteur neutre (blanc) dans le boîtier de connexion :

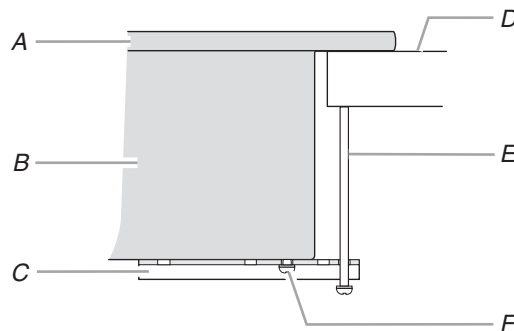


- |   |   |
|---|---|
| A. Conducteurs rouges                                 | E. Conducteur blanc (depuis le point de distribution) |
| B. Conducteur vert ou nu de liaison à la terre        | F. Connecteur de fils (homologation UL)               |
| C. Câble à 3 conducteurs (depuis la table de cuisson) | G. Conducteurs noirs                                  |
| D. Boîtier de connexion                               | H. Connecteur de conduit (homologation UL ou CSA)     |

1. Déconnecter la source de courant électrique.
2. Le cas échéant, enlever le couvercle du boîtier de connexion.
3. Connecter le conduit de câble flexible de la table de cuisson au boîtier de connexion avec un connecteur de conduit (homologation UL ou CSA).
4. Serrer les vis du connecteur de conduit, le cas échéant.
5. Connecter ensemble les deux connecteurs noirs avec un connecteur de fils (homologation UL).
6. Connecter ensemble les deux connecteurs rouges avec le connecteur de fils (homologation UL).
7. Connecter le conducteur vert ou nu et le conducteur blanc de la table de cuisson au conducteur blanc (neutre) dans le boîtier de connexion avec un connecteur de fils (homologation UL).
8. Installer le couvercle du boîtier de connexion.
9. Reconnecter la source de courant électrique.

## Fixation de la table de cuisson au plan de travail

**REMARQUE :** Cette section s'applique uniquement en cas d'utilisation de brides de fixation.



- |                              |                                       |
|------------------------------|---------------------------------------|
| A. Table de cuisson en verre | D. Plan de travail                    |
| B. Boîte de brûleur          | E. Vis de fixation de 2 1/2" (6,4 cm) |
| C. Bride de fixation         | F. Vis d'attache                      |

1. Placer les vis de fixation de 2 1/2" (6,4 cm) dans les brides.
2. Vérifier que la table de cuisson est toujours d'aplomb.
3. À l'aide d'un tournevis à lame plate, serrer les vis sur le plan de travail. Ne pas serrer excessivement.

## Achever l'installation

1. Vérifier que toutes les pièces sont maintenant installées. S'il reste une pièce, passer en revue les différentes étapes pour découvrir laquelle aurait été oubliée.
2. Jeter/recycler tous les matériaux d'emballage et les pièces inutilisées.
3. Utiliser une solution douce de nettoyant ménager liquide et de l'eau tiède pour enlever tout résidu de cire causé par le matériel d'expédition de protection. Sécher à fond avec un linge doux. Pour plus de renseignements, voir la section "Entretien de la table de cuisson" du Guide d'utilisation et d'entretien.
4. Lire "Utilisation de la table de cuisson" dans le Guide d'utilisation et d'entretien de la table de cuisson.

**REMARQUE :** Si la table de cuisson ne fonctionne pas une fois l'alimentation branchée, vérifier que le disjoncteur n'est pas déclenché ou que les fusibles ne sont pas grillés. Voir la section "Dépannage" dans le Guide d'utilisation et d'entretien pour plus de renseignements.

### Si vous avez besoin d'assistance ou de service :

Se référer à la section "Assistance ou service" du Guide d'utilisation et d'entretien ou contacter le marchand chez qui la table de cuisson a été achetée.