

INSTALLATION INSTRUCTIONS 30" (76.2 CM) AND 36" (91.4 CM) GAS BUILT-IN COOKTOP

INSTRUCTIONS D'INSTALLATION DE LA TABLE DE CUISSON À GAZ ENCASTRÉE DE 30" (76,2 CM) ET 36" (91,4 CM)

Table of Contents/Table des matières

COOKTOP SAFETY2	SÉCURITÉ DE LA TABLE DE CUISSON13
INSTALLATION REQUIREMENTS4	EXIGENCES D'INSTALLATION15
Tools and Parts4	Outillage et pièces.....15
Location Requirements4	Exigences d'emplacement.....15
Electrical Requirements5	Spécifications électriques16
Gas Supply Requirements6	Spécifications de l'alimentation en gaz17
INSTALLATION INSTRUCTIONS7	INSTRUCTIONS D'INSTALLATION18
Install Cooktop7	Installation de la table de cuisson.....18
Make Gas Connection8	Raccordement au gaz20
Attach Cooktop to Countertop10	Fixation de la table de cuisson au plan de travail.....21
Complete Installation10	Achever l'installation21

IMPORTANT:

Installer: Leave installation instructions with the homeowner.
Homeowner: Keep installation instructions for future reference.

IMPORTANT :

Installateur : Remettre les instructions d'installation au propriétaire.
Propriétaire : Conserver les instructions d'installation pour référence ultérieure.

COOKTOP SAFETY

Your safety and the safety of others are very important.

We have provided many important safety messages in this manual and on your appliance. Always read and obey all safety messages.



This is the safety alert symbol.

This symbol alerts you to potential hazards that can kill or hurt you and others.

All safety messages will follow the safety alert symbol and either the word "DANGER" or "WARNING."

These words mean:

⚠ DANGER

You can be killed or seriously injured if you don't immediately follow instructions.

⚠ WARNING

You can be killed or seriously injured if you don't follow instructions.

All safety messages will tell you what the potential hazard is, tell you how to reduce the chance of injury, and tell you what can happen if the instructions are not followed.

WARNING: If the information in this manual is not followed exactly, a fire or explosion may result causing property damage, personal injury or death.

- Do not store or use gasoline or other flammable vapors and liquids in the vicinity of this or any other appliance.
- **WHAT TO DO IF YOU SMELL GAS:**
 - Do not try to light any appliance.
 - Do not touch any electrical switch.
 - Do not use any phone in your building.
 - Immediately call your gas supplier from a neighbor's phone. Follow the gas supplier's instructions.
 - If you cannot reach your gas supplier, call the fire department.
- Installation and service must be performed by a qualified installer, service agency or the gas supplier.

WARNING: Gas leaks cannot always be detected by smell.

Gas suppliers recommend that you use a gas detector approved by UL or CSA.

For more information, contact your gas supplier.

If a gas leak is detected, follow the “What to do if you smell gas” instructions.

IMPORTANT: Do not install a ventilation system that blows air downward toward this gas cooking appliance. This type of ventilation system may cause ignition and combustion problems with this gas cooking appliance resulting in personal injury or unintended operation.

In the State of Massachusetts, the following installation instructions apply:

- Installations and repairs must be performed by a qualified or licensed contractor, plumber, or gasfitter qualified or licensed by the State of Massachusetts.
- If using a ball valve, it shall be a T-handle type.
- A flexible gas connector, when used, must not exceed 3 feet.

INSTALLATION REQUIREMENTS

Tools and Parts

Gather the required tools and parts before starting installation.

Tools needed

- Tape measure
- Flat-blade screwdriver
- $\frac{3}{32}$ " (#0 [2 mm]) flat-blade screwdriver (screwdriver shaft must be a minimum of 2" [5.1 cm] long)
- $\frac{15}{16}$ " combination wrench
- Pipe wrench
- Wrench or pliers
- Needle-nose pliers
- Marker or pencil
- Pipe-joint compound resistant to LP gas
- Noncorrosive leak-detection solution

Parts supplied

- Gas pressure regulator
- Burner grates
- Burner caps
- Clamping brackets (2)
- $2\frac{1}{2}$ " (6.4 cm) clamping screws (2)

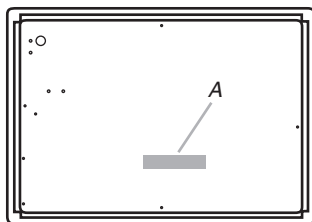
Parts needed

Check local codes and consult gas supplier. Check existing gas supply and electrical supply. See "Electrical Requirements" and "Gas Supply Requirements" sections.

Location Requirements

IMPORTANT: Observe all governing codes and ordinances. Do not obstruct flow of combustion and ventilation air.

- It is the installer's responsibility to comply with installation clearances specified on the model/serial rating plate. The model/serial rating plate is located on the underside of the cooktop base.



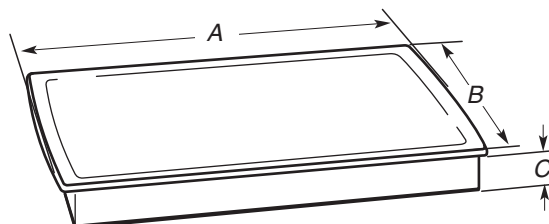
A. Model/serial rating plate

- To eliminate the risk of burns or fire by reaching over heated surface units, cabinet storage space located above the surface units should be avoided. If cabinet storage is to be provided, the risk can be reduced by installing a range hood that projects horizontally a minimum of 5" (12.7 cm) beyond the bottom of the cabinets.

- The cooktop should be installed in a location away from strong draft areas, such as windows, doors and strong heating vents or fans.
- All openings in the wall or floor where cooktop is to be installed must be sealed.
- Cabinet opening dimensions that are shown must be used. Given dimensions are minimum clearances.
- Grounded electrical supply is required. See "Electrical Requirements" section.
- Proper gas supply connection must be available. See "Gas Supply Requirements" section.
- The cooktop is designed to hang from the countertop by its side flanges.
- The gas and electric supply should be located as shown in "Installation Clearances" section so that they are accessible without requiring removal of the cooktop.
- Provide cutout in right rear corner of cutout enclosure as shown to provide clearance for gas inlet, power supply cord, and to allow the rating label to be visible.

IMPORTANT: To avoid damage to your cabinets, check with your builder or cabinet supplier to make sure that the materials used will not discolor, delaminate or sustain other damage.

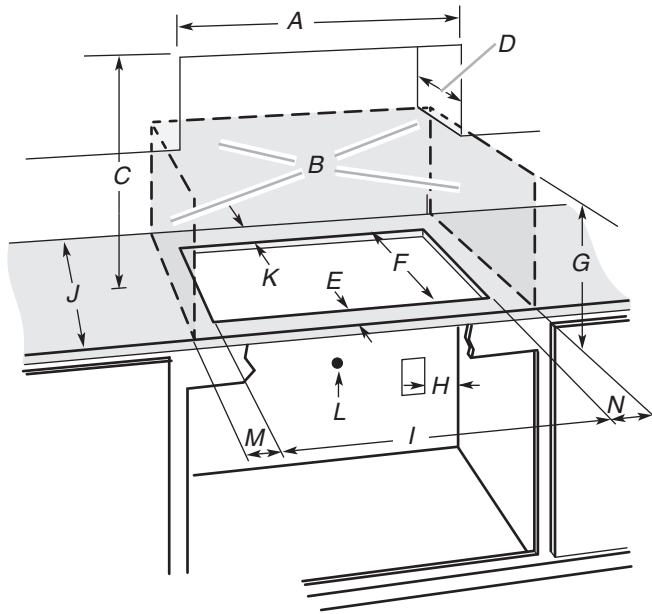
Product Dimensions



- A. $30\frac{3}{16}$ " (76.7 cm) on 30" (76.2 cm) models, $36\frac{1}{4}$ " (92.0 cm) on 36" (91.4 cm) models
- B. 21" (53.3 cm)
- C. 3" (7.6 cm)

Installation Clearances

IMPORTANT: If installing a range hood or microwave hood combination above the range, follow the range hood or microwave hood combination installation instructions for dimensional clearances above the cooktop surface.



- A. 30" (76.2 cm) on 30" (76.2 cm) models; 36" (91.4 cm) on 36" (91.4 cm) models
- B. Combustible area above countertop (shown by dashed box above)
- C. 30" (76.2 cm) minimum clearance between top of cooktop platform and bottom of uncovered wood or metal cabinet (24" [61.0 cm] minimum clearance if bottom of wood or metal cabinet is covered by not less than 1/4" [0.6 cm] flame retardant millboard covered with not less than No. 28 MSG sheet steel, 0.015" [0.04 cm] stainless steel, or 0.024" [0.06 cm] aluminum or 0.020" [0.05 cm] copper). If installing a range hood see NOTES.*
- D. 13" (33.0 cm) recommended upper cabinet depth
- E. 1 1/8" (2.8 cm)
- F. 20" (50.8 cm)
- G. 18" (45.7 cm) minimum clearance from upper cabinet to countertop within minimum horizontal clearances to cooktop
- H. Grounded outlet - Locate within 24" (61.0 cm) of right rear corner of cutout
- I. 29" (73.7 cm) on 30" (76.2 cm) models; 35 1/4" (89.5 cm) on 36" (91.4 cm) models
- J. 24" (61.0 cm) minimum countertop depth is required
- K. 2 7/8" (7.3 cm) minimum distance to rear combustible surface
- L. Gas line opening - Wall: anywhere 5" (12.7 cm) below underside of countertop. Cabinet floor: anywhere within 6" (15.2 cm) of rear wall is recommended
- M. 8" (20.3 cm) minimum distance to nearest left side combustible surface.**
- N. 8" (20.3 cm) minimum distance to nearest right side combustible surface.**
- 30" (76.2 cm) Cooktop Overall:** M + N must equal 48" (122.0 cm) minimum + 29" (73.7 cm) cutout for cooktop or 77" (195.6 cm)
- 36" (91.4 cm) Cooktop Overall:** M + N must equal 48" (122.0 cm) minimum + 35 1/4" (89.5 cm) cutout for cooktop or 83 1/4" (211.5 cm)
- **M + N combined must be at least 48" (122.0 cm) minimum overall
 Example 1: M = 8" (20.3 cm) left side + N = 40" (101.6 cm) right side = 48" (122.0 cm)
 Example 2: M = 24" (61.0 cm) left side + N = 24" (61.0 cm) right side = 48" (122.0 cm)

NOTES:

After making the countertop cutout, some installations may require notching down the base cabinet side walls to clear the cooktop base. To avoid this modification, use a base cabinet with sidewalls wider than the cutout.

If cabinet has a drawer, a 4" (10.2 cm) depth clearance from the countertop to the top of the drawer (or other obstruction) in base cabinet is required. The drawer depth may need to be shortened to avoid interfering with the regulator.

Electrical Requirements

⚠ WARNING



Electrical Shock Hazard

Plug into a grounded 3 prong outlet.

Do not remove ground prong.

Do not use an adapter.

Do not use an extension cord.

Failure to follow these instructions can result in death, fire, or electrical shock.

IMPORTANT: The cooktop must be electrically grounded in accordance with local codes and ordinances, or in the absence of local codes, with the National Electrical Code, ANSI/NFPA 70 or Canadian Electrical Code, CSA C22.1.

If codes permit and a separate ground wire is used, it is recommended that a qualified electrical installer determine that the ground path is adequate.

A copy of the above code standards can be obtained from:

National Fire Protection Association
 1 Batterymarch Park
 Quincy, MA 02169-7471

CSA International
 8501 East Pleasant Valley Road
 Cleveland, Ohio 44131-5575

- A 120 volt, 60 Hz, AC only, 15-amp, fused electrical circuit is required. A time-delay fuse or circuit breaker is also recommended. It is recommended that a separate circuit serving only this cooktop be provided.
- Electronic ignition systems operate within wide voltage limits, but proper grounding and polarity are necessary. Check that the outlet provides 120-volt power and is correctly grounded.
- The Tech Sheet provided is located inside the cooktop on the left wall of the cooktop base.

Gas Supply Requirements

! WARNING



Explosion Hazard

Use a new CSA International approved gas supply line.

Install a shut-off valve.

Securely tighten all gas connections.

If connected to LP, have a qualified person make sure gas pressure does not exceed 14" (36 cm) water column.

Examples of a qualified person include:

**licensed heating personnel,
authorized gas company personnel, and
authorized service personnel.**

Failure to do so can result in death, explosion, or fire.

Observe all governing codes and ordinances.

IMPORTANT: This installation must conform with all local codes and ordinances. In the absence of local codes, installation must conform with American National Standard, National Fuel Gas Code ANSI Z223.1 - latest edition or CAN/CGA B149 - latest edition.

IMPORTANT: Leak testing of the cooktop must be conducted according to the manufacturer's instructions.

Type of Gas

Natural Gas:

This cooktop is design-certified by CSA International for use with Natural gas or, after proper conversion, for use with LP gas.

- This cooktop is factory set for use with Natural gas. If converting to LP gas, see the following "LP Gas Conversion" section. The model/serial rating plate located on the underside of the cooktop base has information on the types of gas that can be used. If the types of gas listed do not include the type of gas available, check with the local gas supplier.

LP Gas Conversion:

Conversion must be done by a qualified service technician.

No attempt shall be made to convert the cooktop from the gas specified on the model/serial rating plate for use with a different gas without consulting the serving gas supplier. See the Gas Conversion instructions provided in the package containing literature.

Gas Supply Line

- Provide a gas supply line of 3/4" (1.9 cm) rigid pipe to the cooktop location. A smaller size pipe on longer runs may result in insufficient gas supply. Pipe-joint compounds that resist the action of LP gas must be used. Do not use TEFLON[®] tape. With LP gas, piping or tubing size should be 1/2" minimum. Usually, LP gas suppliers determine the size and materials used in the system.

Flexible metal appliance connector:

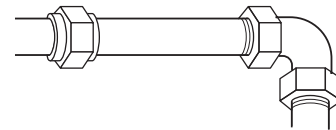
- If local codes permit, use a 1/2" or 3/4" I.D. flexible stainless steel tubing gas connector, designed by CSA to connect the cooktop to the rigid gas supply line.



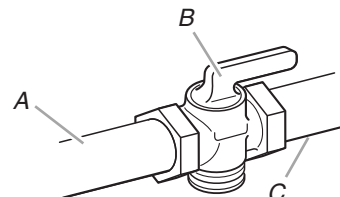
- A 1/2" male pipe thread is needed for connection to the female pipe threads of the inlet to the cooktop pressure regulator.
- Do not kink or damage the flexible metal tubing when moving the cooktop.

Rigid pipe connection:

The rigid pipe connection requires a combination of pipe fittings to obtain an in-line connection to the cooktop. The rigid pipe must be level with the cooktop connection. All strains must be removed from the supply and fuel lines so cooktop will be level and in line.



- Must include a shutoff valve:
The supply line must be equipped with a manual shutoff valve. This valve should be located in the same room but external to the cooktop opening, such as an adjacent cabinet. It should be in a location that allows ease of opening and closing. Do not block access to shutoff valve. The valve is for turning on or shutting off gas to the cooktop.



A. Gas supply line
B. Shutoff valve "open" position
C. To cooktop

Gas Pressure Regulator

The gas pressure regulator supplied with this cooktop must be used. The inlet pressure to the regulator should be as follows for proper operation:

Natural Gas:

Minimum pressure: 5" (12.7 cm) WCP

Maximum pressure: 7" to 14" (17.8 cm to 35.5 cm) WCP

LP Gas:

Minimum pressure: 11" (27.9 cm) WCP

Maximum pressure: 14" (35.5 cm) WCP

Contact local gas supplier if you are not sure about the inlet pressure.

Burner Input Requirements

Input ratings shown on the model/serial rating plate are for elevations up to 2,000 ft (609.6 m).

For elevations above 2,000 ft (609.6 m), ratings are reduced at a rate of 4% for each 1,000 ft (304.8 m) above sea level (not applicable for Canada).

For elevations above 6,560 ft (1999.5 m) a high altitude kit is needed to avoid any reduced power output. See separate LP gas conversion instructions sheet.

Gas Supply Pressure Testing

Gas supply pressure for testing regulator must be at least 1" water column pressure above the manifold pressure shown on the model/serial rating plate.

Line pressure testing above ½ psi gauge (14" WCP)

The cooktop and its individual shutoff valve must be disconnected from the gas supply piping system during any pressure testing of that system at test pressures in excess of ½ psi (3.5 kPa).

Line pressure testing at ½ psi gauge (14" WCP) or lower

The cooktop must be isolated from the gas supply piping system by closing its individual manual shutoff valve during any pressure testing of the gas supply piping system at test pressures equal to or less than ½ psi (3.5 kPa).

INSTALLATION INSTRUCTIONS

Install Cooktop

! WARNING

Excessive Weight Hazard

Use two or more people to move and install cooktop.

Failure to do so can result in back or other injury.

Style 1: Cooktop over undercounter built-in oven

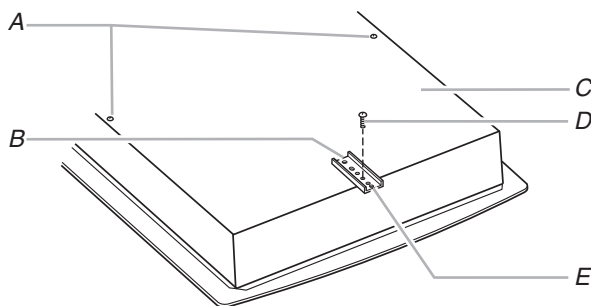
IMPORTANT: Clamping brackets should not be used.

1. Using 2 or more people, place cooktop right side up into the cutout.

NOTE: Make sure that the front edge of the cooktop is parallel to the front edge of the countertop. If repositioning is needed, lift entire cooktop up from cutout to avoid scratching the countertop.

Style 2: Cooktop over cabinets

1. Determine whether your cabinet construction provides clearance for installing clamping brackets at cooktop base ends. This is the recommended location. Clamping brackets can be installed on the front and back of cooktop base bottom, if necessary.



A. Attachment screw holes for optional front and back location.

B. Clamping bracket (end locations recommended)

C. Cooktop base bottom

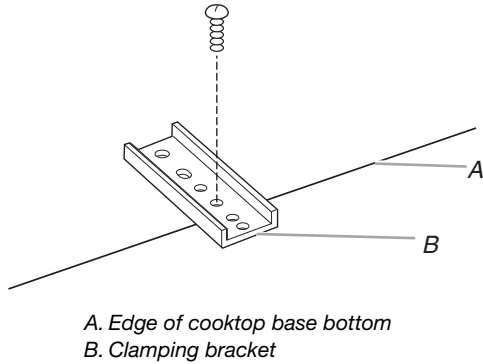
D. Attachment screw

E. Attachment screw location (recommended)

2. The clamping brackets can be installed before or after the cooktop is placed into the cutout. Complete the following steps for the option you choose.

Installing Brackets Before Placing Cooktop in Cutout

- Using 2 or more people, place the cooktop upside down on a covered surface.
- Remove the attachment screws for the selected bracket locations from the bottom of the cooktop base.
- Select bracket mounting holes that will allow the bracket to extend far enough out from the cooktop for the installation of 2½" (6.4 cm) clamping screws. See "Attach Cooktop to Countertop" for illustration of clamping screw installation.

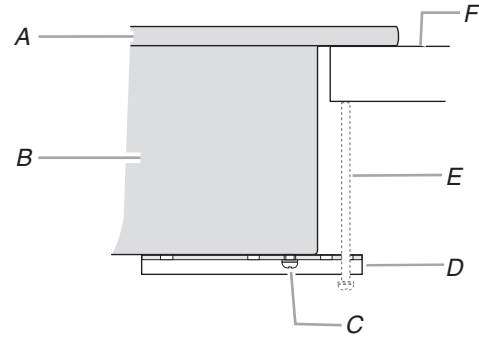


- Attach brackets to cooktop base bottom with bracket attachment screws using the bracket mounting holes selected in Step 2.
- Rotate brackets so they do not extend beyond edge of cooktop base.
- Tighten screws just enough to hold brackets in place when cooktop is put in cutout.
- Using 2 or more people, turn the cooktop right side up and place in cutout.
NOTE: Make sure that the front edge of the cooktop is parallel to the front edge of the countertop. If repositioning is needed, lift entire cooktop up from cutout to avoid scratching the countertop.
- Loosen the screws and rotate the brackets so that they are perpendicular to the edge of the cooktop base and extend beyond its edge. Securely tighten screws.

Installing Brackets After Placing Cooktop in Cutout

- Using 2 or more people, place cooktop right side up into the cutout.
NOTE: Make sure that the front edge of the cooktop is parallel to the front edge of the countertop. If repositioning is needed, lift entire cooktop up from cutout to avoid scratching the countertop.
- Remove the attachment screws for the selected bracket locations from the bottom of the cooktop base.

- Select bracket mounting holes that will allow the bracket to extend far enough out from the cooktop for the installation of 2½" (6.4 cm) clamping screws.



- A. Cooktop
B. Cooktop base
C. Attachment screw
D. Clamping bracket (extends far enough beyond cooktop base to allow installation of clamping screws)
E. 2½" (6.4 cm) clamping screw (to be installed in "Attach Cooktop to Countertop")
F. Countertop

- Attach brackets to cooktop base bottom with bracket attachment screws using the bracket mounting holes selected in Step 3. Securely tighten screws.

Make Gas Connection

⚠ WARNING



Explosion Hazard

Use a new CSA International approved gas supply line.
Install a shut-off valve.

Securely tighten all gas connections.

If connected to LP, have a qualified person make sure gas pressure does not exceed 14" (36 cm) water column.

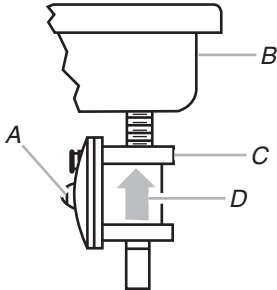
Examples of a qualified person include:
licensed heating personnel,
authorized gas company personnel, and
authorized service personnel.

Failure to do so can result in death, explosion, or fire.

To Assemble Pressure Regulator:

- Using 2 or more people, stand the cooktop on its side or back.

2. Connect the flexible stainless steel connector to the pressure regulator using a 1/2" male pipe thread adapter and nipple. A combination of pipe fittings must be used to connect the cooktop to the existing gas line. Shown following is a typical connection. Your connection may be different, according to the supply line type, size and location.
3. Install the pressure regulator with the arrow pointing up toward the bottom of the cooktop base and in a position where you can reach the regulator cap.



- A. Access cap
- B. Rear of cooktop
- C. Gas pressure regulator
- D. Up arrow. Regulator must be installed with arrow pointing up to cooktop bottom.

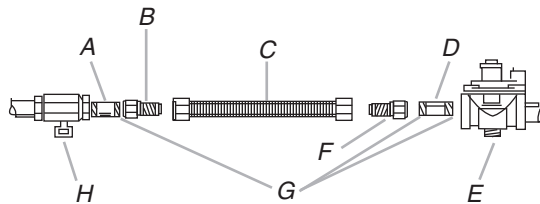
IMPORTANT: All connections must be wrench-tightened. Do not make connections to the gas regulator too tight. Making the connections too tight may crack the regulator and cause a gas leak. Do not allow the regulator to turn on the pipe when tightening fittings.

Use only pipe-joint compound made for use with Natural and LP gas.

Do not use TEFLON® tape. You will need to determine the fittings required depending on your installation.

Typical flexible connection

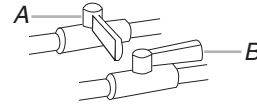
1. Apply pipe-joint compound made for use with LP gas to the smaller thread ends of the flexible connector adapters (see G in the following illustration).
2. Attach 1 adapter and nipple to the gas pressure regulator and the other adapter and nipple to the gas shutoff valve. Tighten both adapters and nipples.
3. Use a 15/16" combination wrench and pliers to attach the flexible connector to the adapters. Check that connector is not kinked.



- A. 3/8" nipple
- B. 3/8" adapter
- C. Flexible connector
- D. 1/2" nipple
- E. Gas pressure regulator
- F. 1/2" adapter
- G. Use pipe-joint compound.
- H. Manual gas shutoff valve

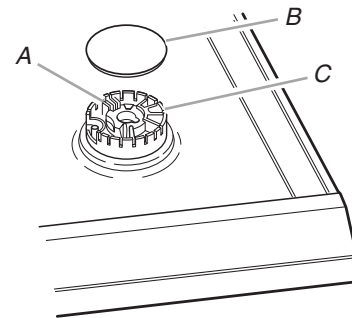
Complete Connection

1. Open the manual shutoff valve in the gas supply line. The valve is open when the handle is parallel to the gas pipe.



- A. Closed valve
- B. Open valve

2. Test all connections by brushing on an approved noncorrosive leak-detection solution. Bubbles will show a leak. Correct any leak found.
3. Remove surface burner caps and grates from parts package. Align notches in burner caps with pins in burner base. Burner caps should be level when properly positioned. If burner caps are not properly positioned, surface burners will not light. Place burner grates over burners and caps.



- A. Igniter electrode
- B. Burner cap
- C. Burner base

⚠ WARNING



Electrical Shock Hazard

Plug into a grounded 3 prong outlet.

Do not remove ground prong.

Do not use an adapter.

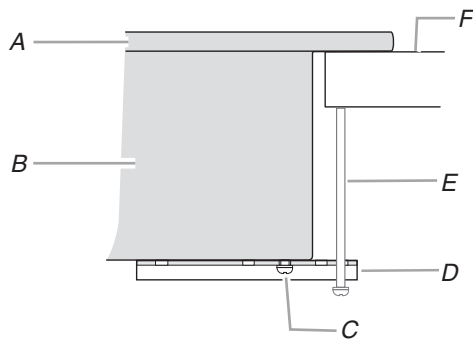
Do not use an extension cord.

Failure to follow these instructions can result in death, fire, or electrical shock.

4. Plug into a grounded 3 prong outlet.

Attach Cooktop to Countertop

NOTE: This section applies only if you are using clamping brackets.



A. Glass cooktop
B. Cooktop base
C. Attachment screw

D. Clamping bracket (extends far enough beyond cooktop base to allow installation of clamping screws)

E. 2½" (6.4 cm) clamping screw
F. Countertop

1. Place the 2½" (6.4 cm) clamping screws into the brackets.
2. Check that the cooktop is still level.
3. Use a flat-blade screwdriver to tighten the screws against the countertop. Do not overtighten.

Complete Installation

Electronic Ignition System

Initial lighting and gas flame adjustments

Surface burners use electronic igniters in place of standing pilots. When the cooktop control knob is pushed in and turned to the "LITE" position, the system creates a spark to light the burner. This sparking continues, as long as the control knob is pushed in and turned to "LITE."

Check Operation of Surface Burners

1. Push in and turn the surface burners control knobs to the "LITE" position.
The surface burner flame should light within 4 seconds. The first time a surface burner is lit it may take longer than 10 seconds to light because of air in the gas line.
2. Check the flame on HI for a blue color. It should be clean and soft in character. No yellow tip, blowing or lifting of flame should occur. Occasional orange flashes are normal and reflect different elements in the air or gas.
3. Repeat at LO position.
4. After verifying the proper burner operation, turn the control knobs to OFF.

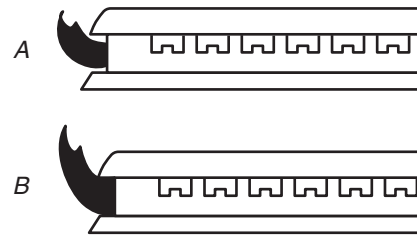
If burners do not light properly:

- Turn surface burner control knob to the OFF position.
- Check that the power supply cord is plugged in and the circuit breaker has not tripped or the fuse blown.
- Check that the gas shutoff valves are set to the "open" position.
- Check that burner caps are properly positioned on burner bases.

Recheck operation of surface burners. If a burner does not light at this point, turn control knobs to Off and contact your dealer or authorized service company for assistance.

Adjust Flame Height

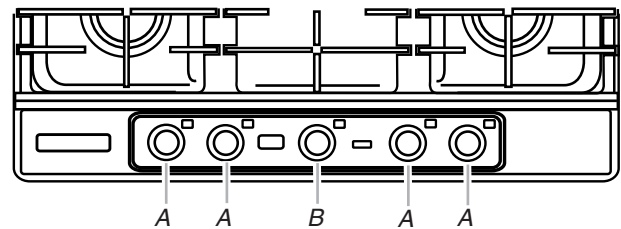
The surface burner "low" flame should be a steady blue flame approximately ¼" (0.64 cm) high.



A. Low flame
B. High flame

If the "low" flame needs to be adjusted:

The flame can be adjusted using the adjustment screws underneath the control knob.

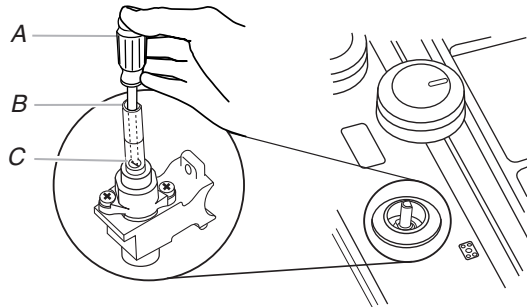


A. Single valve
B. Dual valve

Adjustment for Single Valve:

1. Set the burner flame to LO.
2. Remove the control knob.
3. Hold knob stem with a pair of pliers. Use a $\frac{3}{32}$ " (#0 [2 mm]) flat-blade screwdriver to turn the screw located within the shaft of the control knob stem until the flame is the proper size.

Turn adjustment screw "C" to the right to reduce flame height, turn adjustment screw to the left to increase flame height.

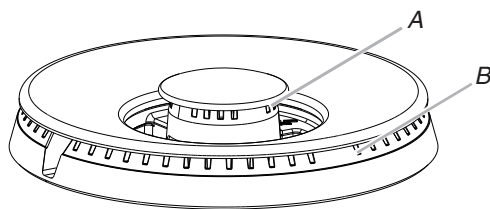


- A. $\frac{3}{32}$ " (#0 [2.0 mm]) flat-blade screwdriver (screwdriver shaft must be a minimum of 2" [5.1 cm] long)
- B. Control knob stem opening
- C. Adjustment screw location

4. Replace the control knob.
5. Test the flame by turning the control from LO to HI, checking the flame at each setting

Adjustment for Dual Valve:

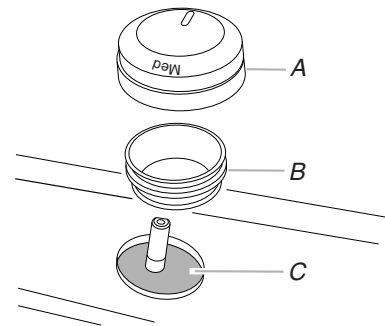
1. Set the inner crown flame to LO.



- A. Inner crown
- B. Outer crown

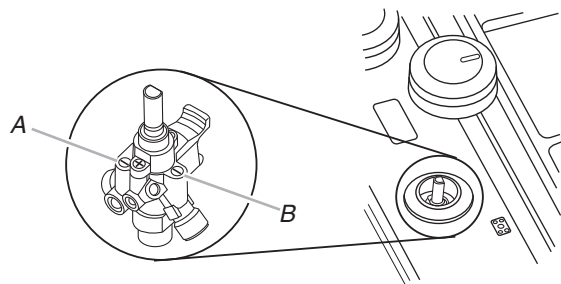
2. Remove the control knob.
3. Remove the black rubber grommet.

4. Using needle-nose pliers, remove the gray shield inside the burner valve opening.



- A. Control knob
- B. Black rubber grommet
- C. Gray shield

5. Tighten screw "A" to reduce flame height. Loosen screw to increase flame height.



- A. Adjustment screw - inner crown
- B. Adjustment screw - outer crown

6. Replace the control knob.
7. Set the outer crown flame to LO.
8. Remove the control knob.
9. Tighten screw "B" to reduce flame height. Loosen screw to increase flame height.
10. Replace the gray shield. Use a screwdriver to help push the shield into place.
11. Replace the black rubber grommet.
12. Replace the control knob.
13. Test the flame by turning the control from LO to HI, checking the flame at each setting.

If you need Assistance or Service:

Please reference the "Assistance or Service" section of the Use and Care Guide or contact the dealer from whom you purchased your cooktop.

Notes

SÉCURITÉ DE LA TABLE DE CUISSON

Votre sécurité et celle des autres est très importante.

Nous donnons de nombreux messages de sécurité importants dans ce manuel et sur votre appareil ménager. Assurez-vous de toujours lire tous les messages de sécurité et de vous y conformer.



Voici le symbole d'alerte de sécurité.

Ce symbole d'alerte de sécurité vous signale les dangers potentiels de décès et de blessures graves à vous et à d'autres.

Tous les messages de sécurité suivront le symbole d'alerte de sécurité et le mot "DANGER" ou "AVERTISSEMENT". Ces mots signifient :

⚠ DANGER

Risque possible de décès ou de blessure grave si vous ne suivez pas immédiatement les instructions.

⚠ AVERTISSEMENT

Risque possible de décès ou de blessure grave si vous ne suivez pas les instructions.

Tous les messages de sécurité vous diront quel est le danger potentiel et vous disent comment réduire le risque de blessure et ce qui peut se produire en cas de non-respect des instructions.

AVERTISSEMENT : Si les renseignements dans ce manuel ne sont pas exactement observés, un incendie ou une explosion peut survenir, causant des dommages au produit, des blessures ou un décès.

- Ne pas entreposer ni utiliser de l'essence ou d'autres vapeurs ou liquides inflammables à proximité de cet appareil ou de tout autre appareil électroménager.
- QUE FAIRE DANS LE CAS D'UNE ODEUR DE GAZ :
 - Ne pas tenter d'allumer un appareil.
 - Ne pas toucher à un commutateur électrique.
 - Ne pas utiliser le téléphone se trouvant sur les lieux.
 - Appeler immédiatement le fournisseur de gaz à partir du téléphone d'un voisin. Suivre ses instructions.
 - À défaut de joindre votre fournisseur de gaz, appeler les pompiers.
- L'installation et l'entretien doivent être effectués par un installateur qualifié, une agence de service ou le fournisseur de gaz.

AVERTISSEMENT : L'odorat ne permet pas toujours la détection d'une fuite de gaz.

Les distributeurs de gaz recommandent l'emploi d'un détecteur de gaz (homologation UL ou CSA).

Pour d'autre information, contacter le fournisseur de gaz local.

En cas de détection d'une fuite de gaz, exécuter les instructions "Que faire dans le cas d'une odeur de gaz".

IMPORTANT : Ne pas installer un système de ventilation avec évacuation de l'air vers le bas, qui évacuerait l'air vers cet appareil de cuisson à gaz. Ce type de système de ventilation peut causer des problèmes d'allumage et de combustion avec cet appareil de cuisson à gaz et entraîner des blessures corporelles ou le fonctionnement non désiré de cet appareil.

Dans l'État du Massachusetts, les instructions d'installation suivantes sont applicables :

- Les travaux d'installation et réparation doivent être exécutés par un plombier ou tuyauteur qualifié ou licencié, ou par le personnel qualifié d'une entreprise licenciée par l'État du Massachusetts.
- Si une vanne à boisseau sphérique est utilisée, elle doit comporter une manette "T".
- Si un conduit de raccordement flexible est utilisé, sa longueur ne doit pas dépasser 3 pi.

EXIGENCES D'INSTALLATION

Outillage et pièces

Rassembler les outils et pièces nécessaires avant de commencer l'installation.

Outillage nécessaire

- Mètre-ruban
- Tournevis à lame plate
- Tournevis à lame plate de $\frac{3}{32}$ " (n° 0 [2 mm]) (la tige du tournevis doit avoir une longueur d'au moins 2" [5,1 cm])
- Clé mixte de $1\frac{5}{16}$ "
- Clé à tube
- Clé ou pince
- Pince à bec effilé
- Marqueur ou crayon
- Composé d'étanchéité des raccords filetés - résistant au propane
- Solution non corrosive de détection des fuites

Pièces fournies

- Détendeur
- Grilles de brûleur
- Chapeaux de brûleur
- Brides de fixation (2)
- Vis de fixation de $2\frac{1}{2}$ " (6,4 cm) (2)

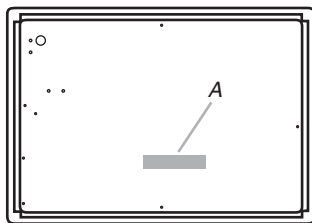
Pièces nécessaires

Vérifier les codes locaux et consulter le fournisseur de gaz. Vérifier l'alimentation en gaz et l'alimentation électrique existantes. Voir les sections "Spécifications électriques" et "Spécifications de l'alimentation en gaz".

Exigences d'emplacement

IMPORTANT : Observer les dispositions de tous les codes et règlements en vigueur. Ne pas obstruer le flux de combustion et la ventilation.

- C'est à l'installateur qu'incombe la responsabilité de respecter les distances de séparation exigées, spécifiées sur la plaque signalétique de l'appareil. La plaque signalétique est située sur la face inférieure de la boîte des brûleurs.

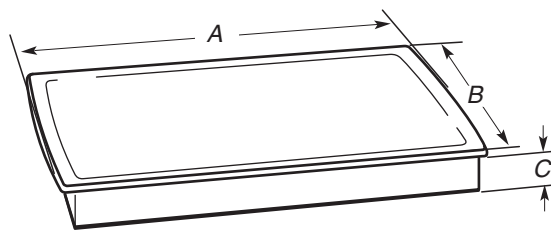


A. Plaque signalétique

- Afin de supprimer le risque de brûlures ou d'incendie en se penchant au-dessus des unités de surface chauffées, le rangement en armoire au-dessus des unités doit être évité. Si le rangement en armoire est envisagé, le risque peut être réduit par l'installation d'une hotte de cuisine opérant horizontalement sur un minimum de 5" (12,7 cm) au-delà du bas des armoires.
- La table de cuisson doit être installée dans un emplacement à l'écart des zones de forts courants d'air, telles que fenêtres, portes et événements ou ventilateurs de chauffage de forte puissance.
- Toutes les ouvertures dans le mur ou le plancher de l'emplacement d'installation de la table de cuisson doivent être scellées.
- Respecter les dimensions indiquées pour la cavité d'installation entre les placards. Ces dimensions tiennent compte des valeurs minimales des dégagements de séparation.
- Une source d'électricité avec liaison à la terre est nécessaire. Voir la section "Spécifications électriques".
- Une source de gaz adéquate doit être disponible. Voir la section "Spécifications de l'alimentation en gaz".
- De par sa conception, la table de cuisson est suspendue au plan de travail par ses rebords latéraux.
- Veiller à placer les sources de gaz et d'électricité selon les indications de la section "Dégagements de séparation à respecter", pour qu'elles soient accessibles sans dépose de la table de cuisson.
- Prévoir une ouverture dans l'angle arrière droit de l'enceinte - voir l'illustration - pour le passage de la canalisation de gaz et du câble d'alimentation électrique et pour que la plaque signalétique soit visible.

IMPORTANT : Pour éviter tout dommage, consulter le constructeur de la maison ou le fabricant des placards pour être certain que les matériaux utilisés ne subiront aucun changement de couleur, aucune déstratification ou autres dommages.

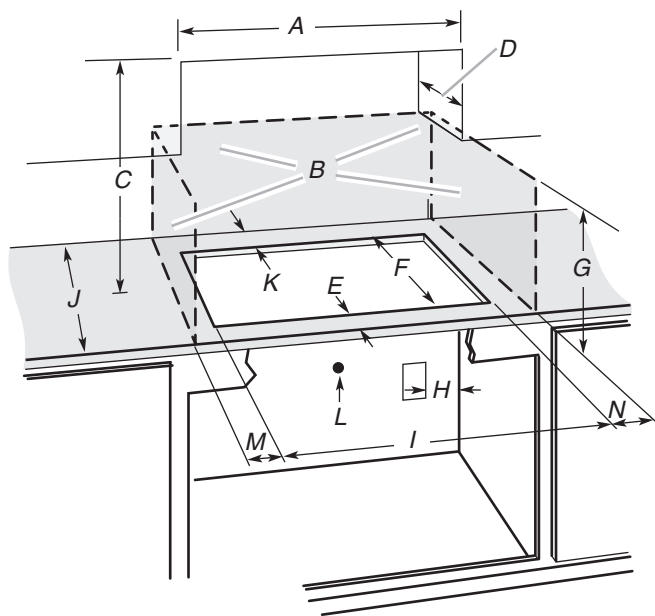
Dimensions du produit



- A. $30\frac{3}{16}$ " (76,7 cm) pour les modèles de 30" (76,2 cm), $36\frac{1}{4}$ " (92,0 cm) pour les modèles de 36" (91,4 cm)
- B. 21" (53,3 cm)
- C. 3" (7,6 cm)

Dégagements de séparation à respecter

IMPORTANT : En cas d'installation d'une hotte ou d'un ensemble hotte/micro-ondes au-dessus de la cuisinière, suivre les instructions fournies avec la hotte concernant les dimensions de dégagement à respecter au-dessus de la surface de la table de cuisson.



A. 30" (76,2 cm) sur les modèles de 30" (76,2 cm); 36" (91,4 cm) sur les modèles de 36" (91,4 cm)

B. Zone de matière combustible au-dessus du plan de travail (espace délimité par des lignes pointillées ci-dessus)

C. Distance de séparation de 30" (76,2 cm) ou plus entre le plan de travail et le fond d'un placard métallique ou de bois non protégé (distance de séparation de 24" [61,0 cm] ou plus si le fond du placard de métal ou de bois est protégé par une plaque de 1/4" [0,6 cm] ou plus de matériau résistant aux flammes recouvert d'une feuille métallique d'épaisseur égale ou supérieure à calibre 28 pour l'acier, 0,015" [0,04 cm] pour l'acier inoxydable, ou 0,024" [0,06 cm] pour l'aluminium ou 0,020" [0,05 cm] pour le cuivre). En cas d'installation d'une hotte de cuisinière, consulter les REMARQUES*.

D. Profondeur recommandée des placards muraux 13" (33,0 cm)

E. 1 1/8" (2,8 cm)

F. 20" (50,8 cm)

G. Distance de séparation de 18" (45,7 cm) ou plus entre placards muraux et plan de travail avec distance minimale de séparation horizontale pour la table de cuisson

H. Prise de courant reliée à la terre - Situer à moins de 24" (61,0 cm) de l'angle arrière droit de l'ouverture découpée

I. 29" (73,7 cm) sur les modèles de 30" (76,2 cm); 35 1/4" (89,5 cm) sur les modèles de 36" (91,4 cm)

J. Le plan de travail doit avoir une profondeur d'au moins 24" (61 cm).

K. Distance minimale par rapport à la surface combustible située à l'arrière : 2 7/8" (7,3 cm).

L. Ouverture pour la canalisation de gaz – Mur : n'importe où à 5" (12,7 cm) en-dessous du plan de travail. Plancher du placard : n'importe où, si possible dans un rayon de 6" (15,2 cm) de la paroi arrière.

M. 8" (20,3 cm) = distance minimale de séparation de la plus proche surface de matériaux combustibles à gauche.**

N. 8" (20,3 cm) = distance minimale de séparation de la plus proche surface de matériaux combustibles à droite.**

Largeur totale pour une table de cuisson de 30" (76,2 cm) :

M + N doit être égal à 48" (122 cm) ou plus, auquel s'ajoute la largeur de l'ouverture pour la table de cuisson : 29" (73,7 cm), pour un total de 77" (195,6 cm).

Largeur totale pour une table de cuisson de 36" (91,4 cm) :

M + N doit être égal à 48" (122 cm) ou plus, auquel s'ajoute la largeur de l'ouverture pour la table de cuisson : 35 1/2" (89,5 cm), pour un total de 83 1/4" (211,5 cm).

**Le total M + N doit être de 48" (122,0 cm) ou plus

Exemple 1 : M = 8" (20,3 cm) côté gauche + N = 40" (101,6 cm) côté droit = Total de 48" (122,0 cm)

Exemple 2 : M = 24" (61,0 cm) côté gauche + N = 24" (61,0 cm) côté droit = Total de 48" (122,0 cm)

REMARQUES :

Après le découpage de l'ouverture dans le plan de travail, dans certaines configurations d'installation il sera nécessaire d'entailler les parois latérales du placard inférieur pour le passage de la boîte des brûleurs. Pour éviter cette modification, utiliser un placard inférieur dont la largeur des parois latérales est supérieure à celle de l'ouverture découpée.

Si le placard comporte un tiroir, on devra ménager une distance de séparation de 4" (10,2 cm) ou plus entre le plan de travail et le sommet du tiroir (ou autre obstruction) dans le placard inférieur. Il pourra être nécessaire de réduire la profondeur du tiroir pour éviter une interférence avec le détendeur.

Spécifications électriques

⚠ AVERTISSEMENT



Risque de choc électrique

Brancher sur une prise à 3 alvéoles reliée à la terre.

Ne pas enlever la broche de liaison à la terre.

Ne pas utiliser un adaptateur.

Ne pas utiliser un câble de rallonge.

Le non-respect de ces instructions peut causer un décès, un incendie ou un choc électrique.

IMPORTANT : La table de cuisson doit être correctement reliée à la terre en conformité avec les codes et règlements locaux en vigueur, ou en l'absence de tels codes, avec le National Electrical Code, ANSI/NFPA 70 ou le Code canadien des installations électriques, CSA C22.1.

Si les codes le permettent et si on utilise un conducteur distinct de liaison à la terre, il est recommandé qu'un électricien qualifié vérifie la qualité de la liaison à la terre.

Pour obtenir un exemplaire de la norme des codes ci-dessus, contacter :

National Fire Protection Association
1 Batterymarch Park
Quincy, MA 02169-7471

CSA International
8501 East Pleasant Valley Road
Cleveland, OH 44131-5575

- L'appareil doit être alimenté par un circuit de 120 V, CA seulement, 60 Hz, 15 A, protégé par fusible. On recommande également d'utiliser un fusible ou un disjoncteur temporisé. Il est recommandé de raccorder la table de cuisson sur un circuit distinct exclusif à cet appareil.
- Les systèmes d'allumage électronique fonctionnent avec des limites de tension étendues, mais une liaison à la terre correcte et une polarité appropriée sont nécessaires. Vérifier que la prise fournit une alimentation de 120 V et qu'elle est correctement reliée à la terre.
- La fiche technique est placée à l'intérieur de la table de cuisson, sur la paroi de gauche de la boîte des brûleurs.

⚠ **AVERTISSEMENT**



Risque d'explosion

Utiliser une canalisation neuve d'arrivée de gaz approuvée par la CSA International.

Installer un robinet d'arrêt.

Bien serrer chaque organe de connexion de la canalisation de gaz.

En cas de connexion au gaz propane, demander à une personne qualifiée de s'assurer que la pression de gaz ne dépasse pas 36 cm (14 po) de la colonne d'eau.

Par personne qualifiée, on comprend :

**le personnel autorisé de chauffage,
le personnel autorisé d'une compagnie de gaz, et
le personnel d'entretien autorisé.**

Le non-respect de ces instructions peut causer un décès, une explosion ou un incendie.

Observer les dispositions de tous les codes et règlements en vigueur.

IMPORTANT : L'installation doit satisfaire aux critères de tous les codes et règlements locaux. En l'absence de code local, l'installation doit satisfaire aux prescriptions de la plus récente édition du code national américain en vigueur : National Fuel Gas Code ANSI Z223.1 ou à la norme CAN/CGA B149.

IMPORTANT : Les tests de fuite de la table de cuisson doivent être effectués selon les instructions du fabricant.

Type de gaz

Gaz naturel :

La conception de cette table de cuisson a été homologuée par CSA International pour l'alimentation au gaz naturel, ou pour l'alimentation au propane après conversion adéquate.

- Cette table de cuisson a été configurée à l'usine pour l'alimentation au gaz naturel. Pour la conversion pour l'alimentation au propane, voir la section suivante "Conversion pour l'alimentation au propane". La plaque signalétique située sur la face inférieure de la boîte des brûleurs indique les types de gaz utilisables. Si le type de gaz disponible n'est pas mentionné sur la plaque signalétique, consulter le fournisseur local.

Conversion pour l'alimentation au propane :

L'opération de conversion doit être exécutée par un technicien de réparation qualifié.

Ne pas entreprendre de convertir la table de cuisson pour l'utilisation d'un gaz différent de celui indiqué sur la plaque signalétique sans d'abord consulter le fournisseur de gaz. Voir les instructions de conversion de gaz fournies dans le sachet de documentation.

Canalisation de gaz

- Installer une canalisation de gaz rigide de 3/4" (1,9 cm) jusqu'à l'emplacement d'installation de la table de cuisson. L'emploi d'une canalisation de plus petit diamètre ou plus longue peut causer une déficience du débit d'alimentation. On doit utiliser un composé d'étanchéité des tuyauteries résistant à l'action du gaz de pétrole liquéfié. Ne pas utiliser de ruban TEFLON®. Pour l'alimentation au propane, le diamètre du tuyau ou conduit doit être de 1/2" ou plus. Usuellement, le fournisseur de gaz propane détermine les matériaux à utiliser et le diamètre approprié.

Raccord métallique flexible :

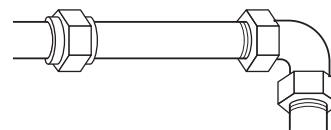
- Si les codes locaux le permettent, utiliser un connecteur à gaz flexible en acier inoxydable de 1/2" ou 3/4" de diamètre interne, conçu par CSA pour raccorder la table de cuisson à la canalisation rigide d'alimentation en gaz.



- Un raccord avec filetage mâle de 1/2" est nécessaire pour la connexion sur le raccord à filetage femelle à l'entrée du régulateur de pression de la table de cuisson.
- Ne pas déformer/écraser/endomager le tube métallique flexible lors d'un déplacement de la table de cuisson.

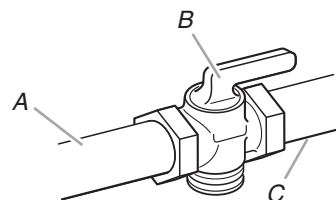
Raccordement par un ensemble rigide :

On doit utiliser une combinaison de raccords pour réaliser un raccordement rigide entre la table de cuisson et la canalisation de gaz. Le tuyau rigide doit se trouver au même niveau que le raccord de connexion de la table de cuisson. On doit veiller à ne soumettre les sections de canalisation d'alimentation à aucun effort de traction ou flexion pour que la table de cuisson soit d'aplomb et correctement alignée.



- Robinet d'arrêt nécessaire :

La canalisation d'alimentation doit comporter un robinet d'arrêt manuel. Le robinet d'arrêt manuel doit être séparé de la table de cuisson, mais doit se trouver dans la même pièce. La canalisation doit se trouver en un endroit facilement accessible pour les manœuvres d'ouverture/fermeture. Ne pas entraver l'accès au robinet d'arrêt manuel. Le robinet d'arrêt manuel est prévu pour ouvrir ou fermer l'alimentation en gaz de la table de cuisson.



A. Canalisation de gaz

B. Robinet d'arrêt manuel - position d'ouverture

C. Vers la table de cuisson

Régulateur de pression de gaz

Le régulateur de pression de gaz fourni avec cette table de cuisson doit être utilisé. La pression d'alimentation du régulateur de pression doit être comme suit pour un fonctionnement correct :

Gaz naturel :

Pression minimum : 5" (12,7 cm) (colonne d'eau)

Pression maximum : 7" à 14" (17,8 cm à 35,5 cm) (colonne d'eau)

Gaz propane :

Pression minimum : 11" (27,9 cm) (colonne d'eau)

Pression maximum : 14" (35,5 cm) (colonne d'eau)

En cas d'incertitude quant à la pression d'alimentation à établir, contacter le fournisseur de gaz local.

Caractéristiques d'alimentation du brûleur

Les débits thermiques indiqués sur la plaque signalétique correspondent à une altitude d'utilisation inférieure à 2000 pi (609,6 m).

Lorsque l'appareil est utilisé à une altitude supérieure à 2000 pi (609,6 m), on doit réduire le débit thermique indiqué de 4 % pour chaque tranche de 1000 pi (304,8 m) au-dessus du niveau de la mer (non applicable au Canada).

Pour l'utilisation de l'appareil à une altitude supérieure à 6560 pi (1999,5 m), on doit employer un ensemble pour altitude élevée afin d'éviter une réduction du débit thermique. Voir la fiche d'instructions séparée concernant la conversion pour l'alimentation au propane.

Test de pressurisation de la canalisation de gaz

On doit tester le détendeur sous une pression supérieure d'au moins 1" à la pression de la tubulure de distribution indiquée sur la plaque signalétique.

Pressurisation à une pression supérieure à ½ lb/po² (14" - colonne d'eau)

Lors de tout test de pressurisation de ce système à une pression supérieure à ½ lb/po² (3,5 kPa), on doit déconnecter la table de cuisson et son robinet d'arrêt individuel de la canalisation de gaz.

Pressurisation à une pression inférieure ou égale à ½ lb/po² (14" - colonne d'eau)

Lors de tout test de pressurisation de la canalisation de gaz à une pression égale ou inférieure à ½ lb/po² (3,5 kPa), on doit isoler la table de cuisson de la canalisation de gaz en fermant son robinet d'arrêt manuel individuel.

INSTRUCTIONS D'INSTALLATION

Installation de la table de cuisson

⚠ AVERTISSEMENT

Risque du poids excessif

Utiliser deux ou plus de personnes pour déplacer et installer la table de cuisson.

Le non-respect de cette instruction peut causer une blessure au dos ou d'autre blessure.

Style 1 : Table de cuisson sur four encastré sous comptoir

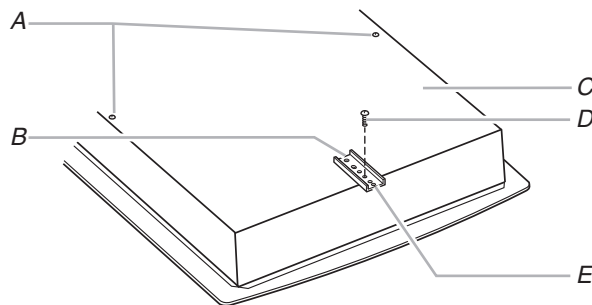
IMPORTANT : Ne pas utiliser de brides de fixation.

1. Placer la table de cuisson dans l'ouverture, côté droit vers le haut; avec l'aide de deux personnes ou plus.

REMARQUE : S'assurer que le bord avant de la table de cuisson est parallèle au bord avant du plan de travail. S'il est nécessaire de repositionner la table de cuisson, la soulever entièrement de l'ouverture pour éviter d'endommager le plan de travail.

Style 2 : Table de cuisson sur placards

1. Déterminer si l'installation des placards permet le dégagement nécessaire pour l'installation de brides de fixation aux extrémités de la boîte des brûleurs. Il s'agit de l'emplacement recommandé. Des brides de fixation peuvent être installées à l'avant et à l'arrière de la partie inférieure de la boîte de brûleurs, si nécessaire.

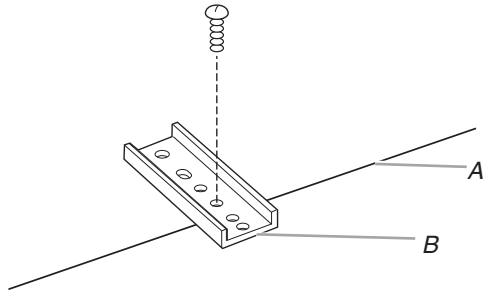


- A. Trous de vis d'attache pour emplacement facultatif à l'avant et à l'arrière.
- B. Brides de fixation (emplacements aux extrémités recommandés)
- C. Partie inférieure de la boîte de brûleurs
- D. Vis d'attache
- E. Emplacement (recommandé) de la vis d'attache

2. Les brides de fixation peuvent être installées avant ou après le positionnement de la table de cuisson dans l'ouverture. Procéder aux étapes suivantes pour l'option choisie.

Installation des brides avant de positionner la table de cuisson dans l'ouverture

1. Placer la table de cuisson à l'envers sur une surface couverte; avec l'aide de deux personnes ou plus.
2. Enlever les vis d'attache pour les emplacements de brides sélectionnés dans la partie inférieure de la boîte de brûleurs.
3. Sélectionner les trous de montage des brides qui permettront aux brides de dépasser suffisamment de la table de cuisson pour l'installation des vis de fixation de 2½" (6,4 cm). Voir "Fixation de la table de cuisson au plan de travail" pour avoir une illustration de l'installation des vis de fixation.



A. Bord de la partie inférieure de la boîte de brûleurs
B. Bride de fixation

4. Fixer les brides à la partie inférieure de la boîte de brûleurs à l'aide des vis d'attache en utilisant les trous de montage des brides sélectionnés à l'étape 2.
5. Faire tourner les brides de façon à ce qu'elles ne dépassent pas du bord de la boîte de brûleurs.
6. Serrer les vis juste assez pour maintenir les brides en place lorsque la table de cuisson est positionnée dans l'ouverture.
7. Tourner la table de cuisson, côté droit vers le haut, et la positionner dans l'ouverture; avec l'aide de deux personnes ou plus.

REMARQUE : S'assurer que le bord avant de la table de cuisson est parallèle au bord avant du plan de travail. S'il est nécessaire de repositionner la table de cuisson, la soulever entièrement de l'ouverture pour éviter d'endommager le plan de travail.

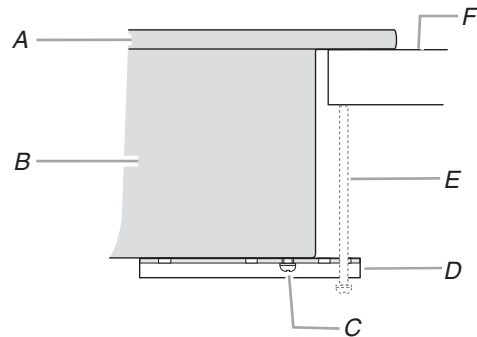
8. Desserrer les vis et faire tourner les brides pour qu'elles soient perpendiculaires au bord de la boîte de brûleurs et qu'elles dépassent de son bord. Bien serrer les vis.

Installation des brides après avoir positionné la table de cuisson dans l'ouverture

1. Placer la table de cuisson dans l'ouverture, côté droit vers le haut; avec l'aide de deux personnes ou plus.

REMARQUE : S'assurer que le bord avant de la table de cuisson est parallèle au bord avant du plan de travail. S'il est nécessaire de repositionner la table de cuisson, la soulever entièrement de l'ouverture pour éviter d'endommager le plan de travail.

2. Enlever les vis d'attache pour les emplacements de brides sélectionnés dans la partie inférieure de la boîte de brûleurs.
3. Sélectionner les trous de montage des brides qui permettront aux brides de dépasser suffisamment de la table de cuisson pour l'installation des vis de fixation de 2½" (6,4 cm).



A. Table de cuisson
B. Boîte de brûleurs
C. Vis d'attache
D. Bride de fixation (dépassant suffisamment de la boîte des brûleurs pour permettre l'installation des vis de fixation)
E. Vis de fixation de 2½" (6,4 cm) (à installer dans "Fixation de la table de cuisson au plan de travail")
F. Plan de travail

4. Fixer les brides à la partie inférieure de la boîte de brûleurs à l'aide des vis d'attache en utilisant les trous de montage des brides sélectionnés à l'étape 3. Bien serrer les vis.

Raccordement au gaz

AVERTISSEMENT



Risque d'explosion

Utiliser une canalisation neuve d'arrivée de gaz approuvée par la CSA International.

Installer un robinet d'arrêt.

Bien serrer chaque organe de connexion de la canalisation de gaz.

En cas de connexion au gaz propane, demander à une personne qualifiée de s'assurer que la pression de gaz ne dépasse pas 36 cm (14 po) de la colonne d'eau.

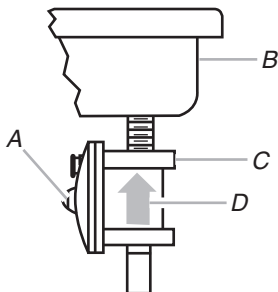
Par personne qualifiée, on comprend :

le personnel autorisé de chauffage,
le personnel autorisé d'une compagnie de gaz, et
le personnel d'entretien autorisé.

Le non-respect de ces instructions peut causer un décès, une explosion ou un incendie.

Assemblage du détendeur :

- Placer la table de cuisson en appui sur le côté ou la face arrière; avec l'aide de deux personnes ou plus.
- Connecter le raccord flexible d'acier inoxydable au détendeur - utiliser un raccord droit et un raccord d'adaptation comportant un filetage mâle de 1/2".
On doit utiliser une combinaison de raccords de tuyauterie pour raccorder la table de cuisson à l'alimentation en gaz existante. On voit ci-dessous une illustration de raccordement typique. Le raccordement peut varier, selon le type, la dimension et l'emplacement du conduit d'alimentation.
- Orienter la flèche du détendeur vers le haut, vers le fond de la boîte des brûleurs et orienter le détendeur de telle manière que le chapeau du détendeur soit accessible.



- A. Chapeau de l'ouverture d'accès
B. Arrière de la table de cuisson
C. Détendeur
D. Flèche vers le haut. Le détendeur doit être installé avec la flèche pointant vers le haut (vers le fond de la table de cuisson).

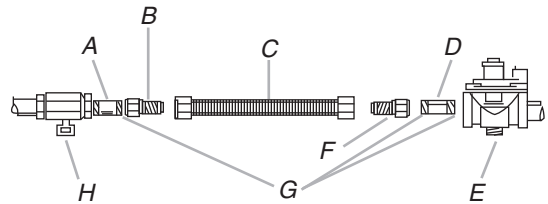
IMPORTANT : Tous les raccords doivent être bien serrés à l'aide d'une clé. Ne pas serrer excessivement les connexions au détendeur. Un serrage excessif pourrait provoquer une fissuration du détendeur et une fuite de gaz. Lors du serrage d'un raccord, empêcher le détendeur de tourner sur le tuyau.

Utiliser uniquement un composé d'étanchéité des tuyauteries conçu pour l'utilisation avec le gaz naturel ou le propane.

Ne pas utiliser de ruban TEFLON®. Il sera nécessaire de choisir les raccords à utiliser en fonction de la configuration d'installation.

Raccordement typique par raccord flexible

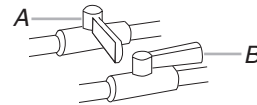
- Appliquer sur les extrémités filetées les plus petites des adaptateurs de raccords flexibles de connexion (voir G sur l'illustration qui suit) un composé d'étanchéité des tuyauteries compatible avec le propane.
- Connecter un raccord d'adaptation et un raccord droit sur le détendeur, et un raccord d'adaptation et un raccord droit sur le robinet d'arrêt. Serrer les deux raccords droits et les deux raccords d'adaptation.
- Utiliser une clé mixte de 15/16" et une pince pour fixer le raccord flexible sur les raccords d'adaptation. Vérifier que le raccord n'est pas déformé.



- A. Raccord droit de 3/8"
B. Raccord d'adaptation de 3/8"
C. Raccord flexible
D. Raccord droit de 1/2"
E. Détendeur
F. Raccord d'adaptation de 1/2"
G. Appliquer un composé d'étanchéité.
H. Robinet d'arrêt manuel

Compléter le raccordement

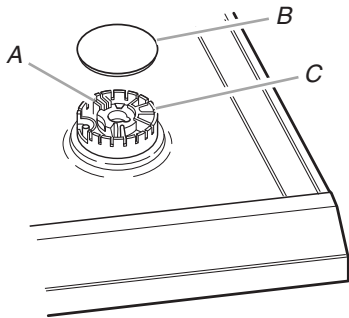
- Ouvrir le robinet d'arrêt manuel sur la canalisation de gaz. Le robinet est ouvert lorsque la manette est parallèle à la canalisation.



- A. Robinet fermé
B. Robinet ouvert

- Vérifier tous les raccordements en les badigeonnant d'une solution de détection des fuites non corrosive approuvée. L'apparition de bulles indique une fuite. Réparer toute fuite éventuelle.

3. Ôter les chapeaux de brûleur de surface et les grilles du sachet de pièces. Aligner les encoches des chapeaux de brûleur avec les broches dans la base de chaque brûleur. Un chapeau de brûleur correctement placé doit être horizontal. Si le chapeau de brûleur n'est pas correctement placé, le brûleur ne peut s'allumer. Placer les grilles de brûleur sur les brûleurs et les chapeaux.



A. Électrode d'allumage
B. Chapeau de brûleur
C. Base du brûleur

⚠ AVERTISSEMENT



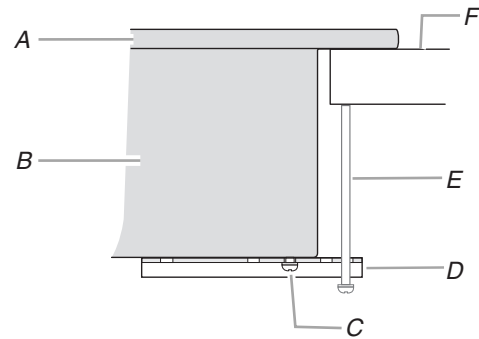
Risque de choc électrique

Brancher sur une prise à 3 alvéoles reliée à la terre.
Ne pas enlever la broche de liaison à la terre.
Ne pas utiliser un adaptateur.
Ne pas utiliser un câble de rallonge.
Le non-respect de ces instructions peut causer un décès, un incendie ou un choc électrique.

4. Brancher sur une prise à 3 alvéoles reliée à la terre.

Fixation de la table de cuisson au plan de travail

REMARQUE : Cette section s'applique uniquement en cas d'utilisation de brides de fixation.



A. Table de cuisson en verre
B. Boîte des brûleurs
C. Vis d'attache

D. Bride de fixation (dépassant suffisamment de la boîte des brûleurs pour permettre l'installation des vis de fixation)

E. Vis de fixation de 2 1/2" (6,4 cm)
F. Plan de travail

1. Placer les vis de fixation de 2 1/2" (6,4 cm) dans les brides.
2. Vérifier que la table de cuisson est toujours d'aplomb.
3. À l'aide d'un tournevis à lame plate, serrer les vis sur le plan de travail. Ne pas serrer excessivement.

Achever l'installation

Système d'allumage électronique

Allumage initial et réglages des flammes

À la place de flammes de veille, les brûleurs de surface sont dotés d'un allumeur électronique. Lorsqu'on place le bouton de commande d'un brûleur de la table de cuisson à la position "LITE" (allumage), le système génère des étincelles pour l'allumage du brûleur. La génération d'étincelles se poursuit aussi longtemps que le bouton de commande est laissé à la position "LITE".

Contrôle du fonctionnement des brûleurs de surface

1. Enfoncer et tourner les boutons de commande des brûleurs de surface à la position "LITE".
Le gaz doit s'enflammer sur le brûleur de surface en moins de 4 secondes. Lors de l'allumage initial du brûleur de surface, le délai d'allumage peut être supérieur à 10 secondes du fait de la présence d'air dans la canalisation de gaz.
2. Vérifier que la flamme est bleue à la position "HI" (élevée). Elle doit être propre et douce. On ne doit pas observer de pointe jaune, ni d'effet de soufflage ou de séparation entre les flammes et le brûleur. Il est normal d'observer parfois des éclairs oranges; ceci est dû à différents éléments dans l'air ou le gaz.
3. Répéter l'opération à la position "LO" (basse)
4. Après avoir vérifié le bon fonctionnement du brûleur, tourner le bouton de commande à "OFF" (arrêt).

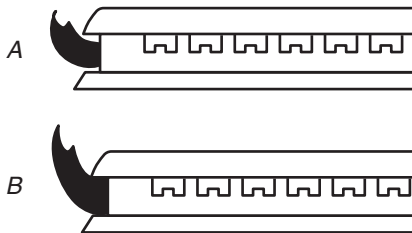
Si le brûleur ne s'allume pas correctement :

- Ramener le bouton de commande du brûleur de surface à la position "OFF".
- Vérifier que le cordon d'alimentation est branché et correctement alimenté (fusible grillé? disjoncteur déclenché?)
- Vérifier que chaque robinet d'arrêt est ouvert.
- Vérifier que les chapeaux de brûleur sont correctement placés sur les bases des brûleurs.

S'assurer à nouveau du bon fonctionnement des brûleurs. Si à ce stade un brûleur ne s'allume pas, tourner les boutons de commande à la position "OFF" et contacter le revendeur ou un réparateur agréé.

Réglage de la taille des flammes

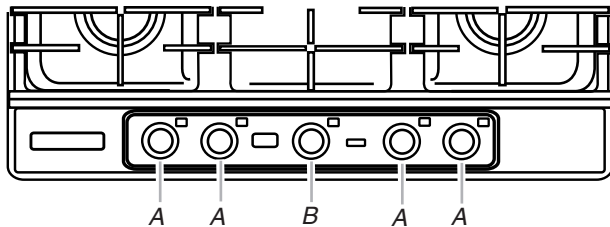
Pour le réglage au débit thermique minimum, on doit observer des flammes stables bleues d'environ 1/4" (0,64 cm) de hauteur.



A. Débit thermique minimum
B. Débit thermique maximum

S'il est nécessaire de régler la taille des flammes pour le débit thermique minimum :

La taille des flammes peut être réglée à l'aide des vis de réglage situées sous le bouton de commande.

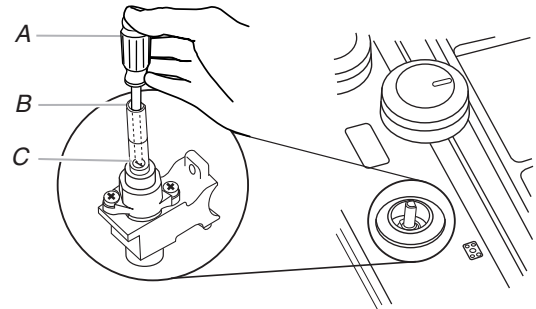


A. Robinet unique
B. Robinet double

Ajustement pour un robinet unique :

1. Régler la flamme du brûleur à la position "LO" (basse).
2. Ôter le bouton de commande.
3. Immobiliser la tige de commande avec une pince. Utiliser un tournevis à lame plate de 3/32" (n° 0 [2,0 mm]) pour faire tourner la vis située sur la tige du bouton de commande, pour établir la taille correcte des flammes.

Faire tourner la vis de réglage "C" vers la droite pour réduire la hauteur des flammes; faire tourner la vis de réglage vers la gauche pour augmenter la hauteur des flammes.



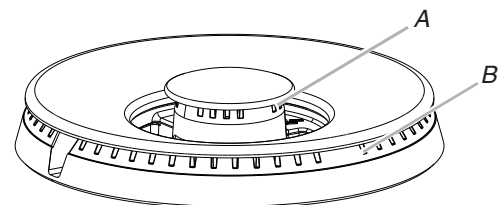
A. Tournevis à lame plate de 3/32" (n° 0 [2,0 mm])
(la longueur de la tige du tournevis doit être d'au moins 2" [5,1 cm])

B. Ouverture dans la tige du bouton de commande
C. Emplacement de la vis de réglage

4. Réinstaller le bouton de commande.
5. Tester le fonctionnement du brûleur : faire passer le bouton de commande de la position "LO" (basse) à la position "HI" (élevée) et observer les flammes pour chaque réglage.

Ajustement pour un robinet double :

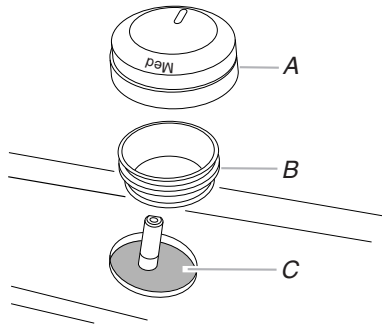
1. Régler la flamme de la couronne intérieure à la position "LO" (basse).



A. Couronne intérieure
B. Couronne extérieure

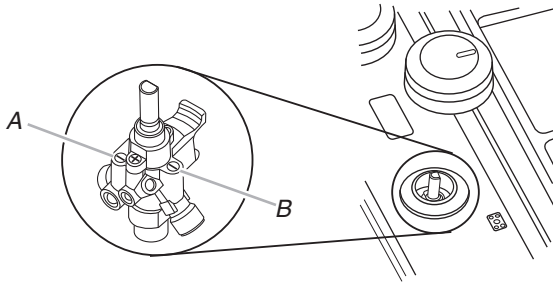
2. Ôter le bouton de commande.
3. Enlever le capuchon de protection en caoutchouc noir.

4. Enlever la pièce de protection grise à l'intérieur de l'ouverture du robinet du brûleur - utiliser la pince à bec effilé.



A. Bouton de commande.
B. Capuchon de protection en caoutchouc noir
C. Pièce de protection grise

5. Serrer la vis "A" pour réduire la hauteur de la flamme. Desserrer la vis pour augmenter la hauteur de la flamme.



A. Vis de réglage - couronne intérieure
B. Vis de réglage - couronne extérieure

6. Réinstaller le bouton de commande.
7. Régler la flamme de la couronne extérieure à la position "LO" (basse).
8. Ôter le bouton de commande.
9. Serrer la vis "B" pour réduire la hauteur de la flamme. Desserrer la vis pour augmenter la hauteur de la flamme.
10. Réinstaller la pièce de protection grise. Pousser avec un tournevis pour faciliter la mise en place.
11. Réinstaller le capuchon de protection en caoutchouc noir.
12. Réinstaller le bouton de commande.
13. Tester le fonctionnement du brûleur : faire passer le bouton de commande de la position "LO" (basse) à la position "HI" (élevée) et observer les flammes pour chaque réglage.

Si vous avez besoin d'assistance ou de service :

Consulter la section "Assistance ou service" du Guide d'utilisation et d'entretien ou contacter le marchand chez qui vous avez acheté votre table de cuisson.

W10526085A

© 2012 Whirlpool Corporation.
All rights reserved.
Tous droits réservés.

8/12
Printed in U.S.A.
Imprimé aux É.-U.