

KitchenAid® Gas Built-in Cooktop

PRODUCT MODEL NUMBERS

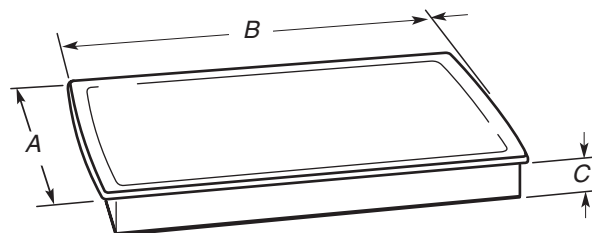
KGCC506R KGCC766R
 KGCC566R KGCV566R
 KGCC706R

Gas Supply: This cooktop is factory set for use with Natural gas. Cooktop can be converted to LP gas. Provide a gas supply line of $\frac{3}{4}$ " (1.9 cm) rigid pipe to the cooktop location. A smaller size pipe on longer runs may result in insufficient gas supply. Pipe-joint compounds that resist the action of LP gas must be used. Do not use TEFLON® tape. With LP gas, piping or tubing size can be $\frac{1}{2}$ " minimum. Usually, LP gas suppliers determine the size and materials used in the system.

Electrical: A 120 volt, 60 Hz., AC only, 15-amp fused, electrical circuit is required. A time-delay fuse or circuit breaker is also recommended. It is recommended that a separate circuit serving only this cooktop be provided.

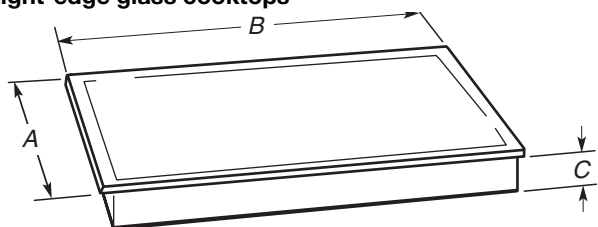
OVERALL DIMENSIONS

Metal Cooktops



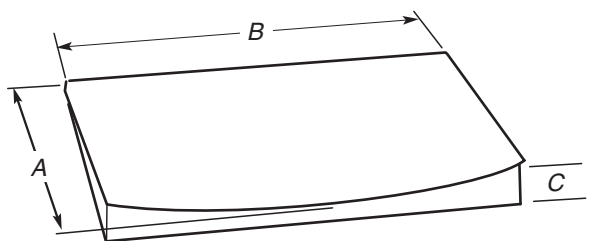
- A. $21\frac{1}{4}$ " (53.4 cm)
- B. $31\frac{7}{16}$ " (79.8 cm) on 30" (76.2 cm) models, $37\frac{9}{16}$ " (95.4 cm) on 36" (91.4 cm) models
- C. $2\frac{7}{8}$ " (7.3 cm)

Straight-edge glass cooktops



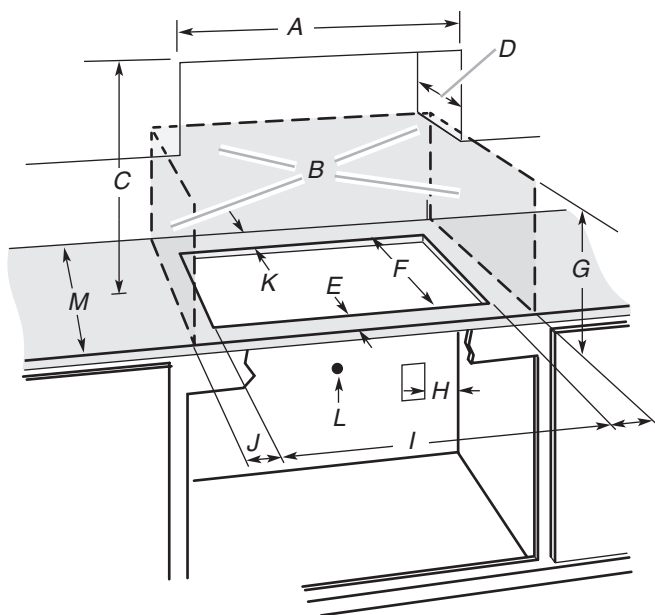
- A. $20\frac{9}{16}$ " (51.5 cm)
- B. $30\frac{3}{16}$ " (76.8 cm) on 30" (76.2 cm) models, $36\frac{7}{16}$ " (92.5 cm) on 36" (91.4 cm) models
- C. $2\frac{7}{8}$ " (7.3 cm)

Curved-edge glass cooktops



- A. $21\frac{1}{8}$ " (53.7 cm)
- B. $30\frac{5}{16}$ " (77.0 cm) on 30" (76.2 cm) models, $36\frac{5}{16}$ " (92.3 cm) on 36" (91.4 cm) models
- C. $2\frac{7}{8}$ " (7.3 cm)

CABINET OPENING DIMENSIONS



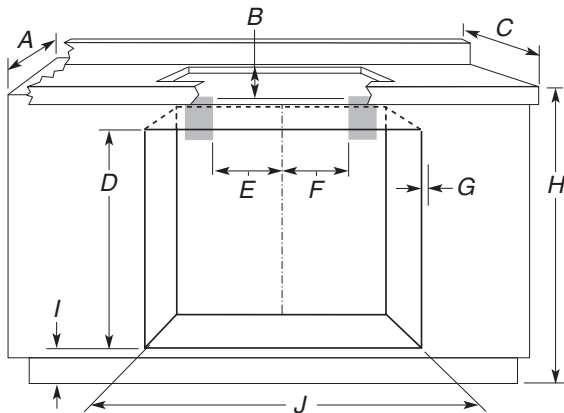
- A. 30" (76.2 cm) on 30" models; 36" (91.4 cm) on 36" models
- B. Combustible area above countertop (shown by dashed box above)
- C. 30" (76.2 cm) minimum clearance between top of cooktop platform and bottom of unprotected wood or metal cabinet (24" [61 cm] minimum clearance if bottom of wood or metal cabinet is protected by not less than $\frac{1}{4}$ " [0.6 cm] flame retardant millboard covered with not less than No. 28 MSG sheet steel, 0.015" [0.04 cm] stainless steel, or 0.024" [0.06 cm] aluminum or 0.020" [0.05 cm] copper)
- D. 13" (33 cm) maximum upper cabinet depth
- E. $2\frac{1}{8}$ " (5.4 cm)

- F. 19" (48.3 cm)
- G. 18" (45.7 cm) minimum clearance from upper cabinet to countertop within minimum horizontal clearances to cooktop
- H. Grounded outlet - Locate within 24" (61 cm) of right rear corner of cutout
- I. 29" (73.7 cm) on 30" models; 35 $\frac{1}{4}$ " (89.5 cm) on 36" models
- J. $8\frac{3}{8}$ " (21.3 cm) minimum distance to nearest left and right side combustible surface
- K. $2\frac{7}{8}$ " (7.3 cm) minimum distance to rear combustible surface
- L. Gas line opening - Wall: anywhere 5" (12.7 cm) below underside of countertop. Cabinet floor: anywhere within 6" (15.2 cm) of rear wall is recommended
- M. 24" (61 cm) minimum countertop depth is required

CUTOUT DIMENSIONS FOR OVENS INSTALLED UNDER COOKTOP U.S.A. ONLY

IMPORTANT: Observe all governing codes and ordinances. Cooktop must be approved for use over an oven. See Cooktop Installation Instructions for cutout dimensions. Center the cooktop cutout over oven cutout. The junction box for the oven can be installed on either side of the cutout area. The shaded area not used for the oven junction box is recommended for a junction box for the cooktop.

Approved Built-In Oven and Electric Cooktop Combinations



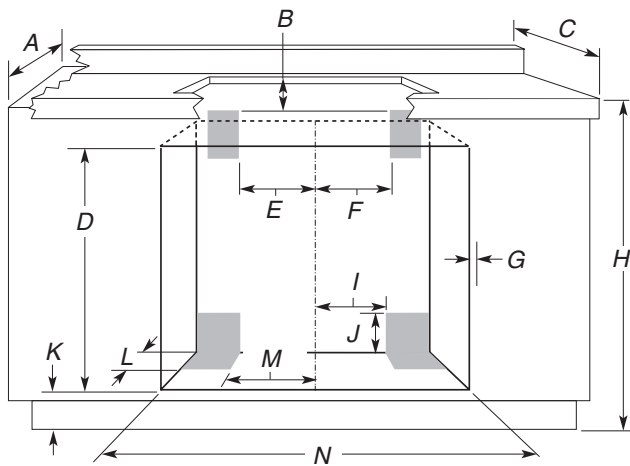
For the approved model number combinations refer to the undercounter label located on top of the oven chassis and on the bottom of the cooktop burner box.

- A. 24" (61 cm) cabinet depth
- B. 4" (10.2 cm) to top of countertop
- C. 25" (63.5 cm) countertop depth
- D. 27³/₄" (70.5 cm) minimum cutout height
- E. Junction box 9" (22.9 cm) to center of cutout
- F. Junction box 9" (22.9 cm) to center of cutout
- G. Allow 5/8" (1.6 cm) for oven trim to overlap on each side.
- H. 36" (91.4 cm) from cabinet base to countertop
- I. 4⁵/₈" (11.7 cm) from floor
- J. See Cutout Dimensions chart.

CUTOUT DIMENSIONS

Oven Size	Oven Cutout Dimension
24" (61 cm)	22 ¹ / ₂ " (57.2 cm)
27" (68.6 cm)	25 ¹ / ₂ " (64.8 cm)
30" (76.2 cm)	28 ¹ / ₂ " (72.4 cm)
36" (91.4 cm)	34 ¹ / ₂ " (87.6 cm)

Approved Built-In Oven and Gas Cooktop Combinations



For the approved model number combination refer to the undercounter label located on top of the oven chassis.

- A. 24" (61 cm) cabinet depth
- B. 4" (10.2 cm) to top of countertop
- C. 25" (63.5 cm) countertop depth
- D. 27³/₄" (70.5 cm) minimum cutout height
- E. Junction box 9" (22.9 cm) to center of cutout
- F. Junction box 9" (22.9 cm) to center of cutout
- G. Allow 5/8" (1.6 cm) for oven trim to overlap on each side.
- H. 36" (91.4 cm) from cabinet base to countertop
- I. Gas line through wall 9" (22.9 cm) to center of cutout
- J. 3³/₄" (8.26 cm)*
- K. 4⁵/₈" (11.7 cm) from floor
- L. 3³/₄" (8.26 cm)*
- M. Gas line through floor 9" (22.9 cm) to center of cutout
- N. See Cutout Dimensions chart.

CUTOUT DIMENSIONS

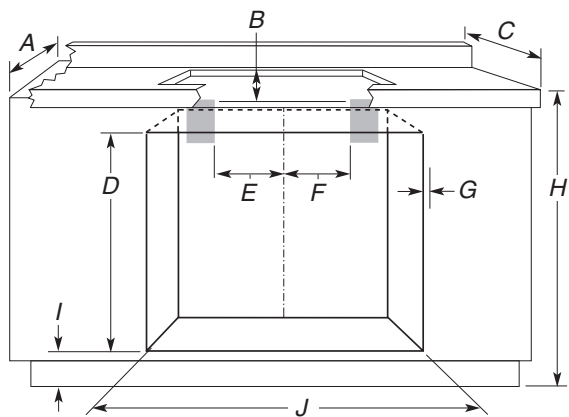
Oven Size	Oven Cutout Dimension
24" (61 cm)	22 ¹ / ₂ " (57.2 cm)
27" (68.6 cm)	25 ¹ / ₂ " (64.8 cm)
30" (76.2 cm)	28 ¹ / ₂ " (72.4 cm)
36" (91.4 cm)	34 ¹ / ₂ " (87.6 cm)

*NOTE: Lower shaded areas are recommended locations for flexible or rigid gas pipe installation. The gas pipe can be installed on either side of the cutout, and either through the floor or through the wall. The shaded area not used for oven junction box is recommended for 120-volt grounded outlet for cooktop.

CUTOUT DIMENSIONS FOR OVENS INSTALLED UNDER COOKTOP CANADA ONLY

IMPORTANT: Observe all governing codes and ordinances. Cooktop must be approved for use over an oven. See Cooktop Installation Instructions for cutout dimensions. Center the cooktop cutout over oven cutout. The junction box for the oven can be installed on either side of the cutout area. The shaded area not used for the oven junction box is recommended for a junction box for the cooktop.

Approved Built-In Ovens and Electric Cooktops



For the approved model number combination refer to the undercounter label located on top of the oven chassis and on the bottom of the cooktop burner box.

NOTE: The installation of gas cooktops and oven combinations is not approved for use in Canada.

- A. 24" (61 cm) cabinet depth
- B. 4" (10.2 cm) to top of countertop
- C. 25" (63.5 cm) countertop depth
- D. 27³/₄" (70.5 cm) minimum cutout height
- E. Junction box 9" (22.9 cm) to center of cutout
- F. Junction box 9" (22.9 cm) to center of cutout
- G. Allow 5/8" (1.6 cm) for oven trim to overlap on each side.
- H. 36" (91.4 cm) from cabinet base to countertop
- I. 4⁵/₈" (11.7 cm) from floor
- J. See Cutout Dimensions chart.

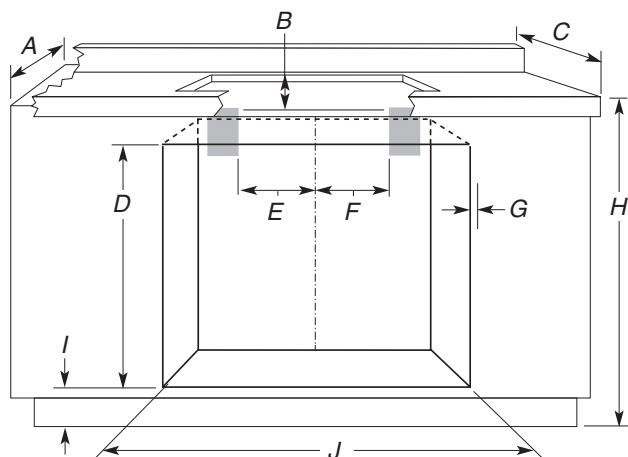
CUTOUT DIMENSIONS

Oven Size	Oven Cutout Dimension
27" (68.6 cm)	25 ¹ / ₂ " (64.8 cm)
30" (76.2 cm)	28 ¹ / ₂ " (72.4 cm)

FOUR INSTALLÉ SOUS LA TABLE DE CUISSON - DIMENSIONS POUR L'OUVERTURE À DÉCOUPER - CANADA SEULEMENT

IMPORTANT : Observer toutes les dispositions des codes et règlements en vigueur. La table de cuisson doit être homologuée pour l'utilisation au-dessus d'un four. Pour les dimensions de l'ouverture à découper, voir les "Instructions d'installation de la table de cuisson". Centrer l'ouverture à découper pour la table de cuisson par rapport à l'ouverture découpée pour le four. On peut installer le boîtier de connexion pour le four d'un côté ou de l'autre de l'ouverture découpée. On recommande d'utiliser pour le boîtier de connexion de la table de cuisson la zone grisée qui n'est pas été utilisée pour le boîtier de connexion du four.

Combinaisons table de cuisson/four encastré (produits homologués)



Pour connaître les combinaisons approuvées par numéro de modèle, consulter l'étiquette située sur la partie supérieure du châssis du four et au fond de la boîte de brûleur de la table de cuisson.

REMARQUE : L'installation de combinaisons table de cuisson à gaz/four n'est pas approuvée pour utilisation au Canada.

- A. Profondeur de placard 24" (61 cm)
- B. 4" (10,2 cm) jusqu'au sommet du plan de travail
- C. Profondeur du plan de travail 25" (63,5 cm)
- D. Hauteur minimale de l'ouverture à découper 27³/₄" (70,5 cm)
- E. Boîtier de connexion 9" (22,9 cm) jusqu'au centre de l'ouverture découpée
- F. Boîtier de connexion 9" (22,9 cm) jusqu'au centre de l'ouverture découpée
- G. Prévoir 5/8" (1,6 cm) pour le chevauchement de la garniture du four, de chaque côté.
- H. 36" (91,4 cm) entre la base du placard et le plan de travail
- I. 4⁵/₈" (11,7 cm) depuis le plancher
- J. Voir le tableau Dimensions de l'ouverture à découper.

OUVERTURE À DÉCOUPER - DIMENSIONS

Taille du four	Ouverture à découper pour le four
27" (68,6 cm)	25 ¹ / ₂ " (64,8 cm)
30" (76,2 cm)	28 ¹ / ₂ " (72,4 cm)

8303946

© 2005.
All rights reserved.
Tous droits réservés.

7/05
Printed in U.S.A.
Imprimé aux É.-U.