

KitchenAid® 30" (76.2 CM) GAS DOWNDRAFT COOKTOP

FOR THE WAY IT'S MADE.®

PRODUCT MODEL NUMBERS

KGCD807X

GAS SUPPLY REQUIREMENTS

Type of Gas

Natural Gas:

- This cooktop is factory set for use with Natural gas. If converting to LP gas, see the "LP Gas Conversion" instructions provided in the package containing literature. The model/serial rating plate located on the underside of the cooktop base has information on the types of gas that can be used. If the types of gas listed do not include the type of gas available, check with the local gas supplier.

LP Gas Conversion:

Conversion must be done by a qualified service technician.

No attempt shall be made to convert the cooktop from the gas specified on the model/serial rating plate for use with a different gas without consulting the serving gas supplier. See the Gas Conversion instructions provided in the package containing literature.

Gas Supply Line

- Provide a gas supply line of $\frac{3}{4}$ " (1.9 cm) rigid pipe to the cooktop location. A smaller size pipe on longer runs may result in insufficient gas supply. Pipe-joint compounds that resist the action of LP gas must be used. Do not use TEFLON®† tape. With LP gas, piping or tubing size should be $\frac{1}{2}$ " minimum. Usually, LP gas suppliers determine the size and materials used in the system.

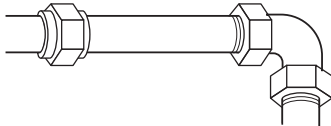
Flexible metal appliance connector:

- If local codes permit, use a $\frac{1}{2}$ " or $\frac{3}{4}$ " I.D. flexible stainless steel tubing gas connector, designed by CSA to connect the cooktop to the rigid gas supply line.



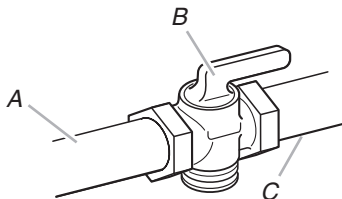
Rigid pipe connection:

The rigid pipe connection requires a combination of pipe fittings to obtain an in-line connection to the cooktop. The rigid pipe must be level with the cooktop connection. All strains must be removed from the supply and fuel lines so cooktop will be level and in line.



- Must include a shutoff valve:

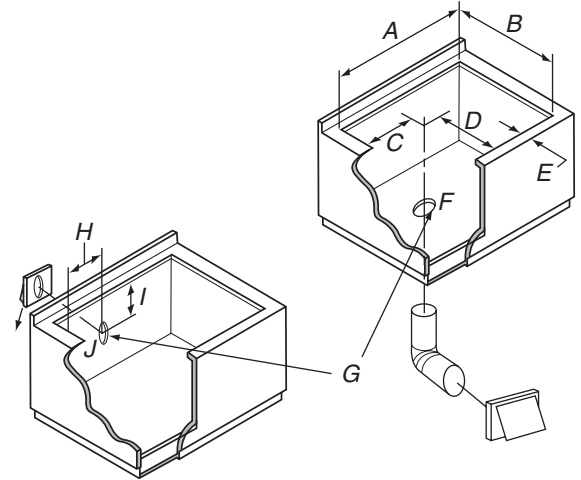
The supply line must be equipped with a manual shutoff valve. This valve should be located in the same room but external to the cooktop opening, such as an adjacent cabinet. It must be accessible without removing the cooktop, and it should be in a location that allows ease of opening and closing. Do not block access to shutoff valve. The valve is for turning on or shutting off gas to the cooktop.



A. Gas supply line
B. Shutoff valve "open" position
C. To cooktop

†®TEFLON is a registered trademark of E.I. Du Pont De Nemours and Company.

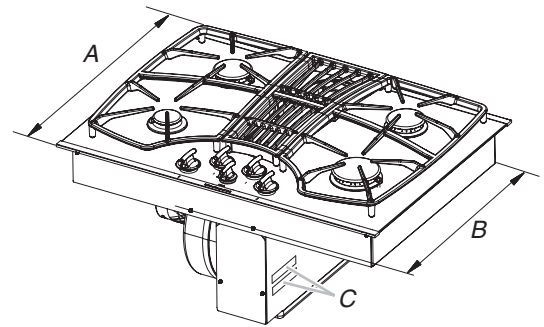
CUTOUT DIMENSIONS



- A. 28 $\frac{5}{8}$ " (72.7 cm) maximum
- B. 19 $\frac{15}{16}$ " (50.6 cm) maximum
- C. 9 $\frac{5}{16}$ " (21.6 cm)
- D. 6 $\frac{49}{64}$ " (17.2 cm)
- E. 2 $\frac{1}{8}$ " (5.4 cm) minimum space to front edge of cooktop
- F. Floor exhaust option
- G. 6 $\frac{1}{8}$ " (15.6 cm) for 6" (15.2 cm) vent system and 5 $\frac{1}{8}$ " (13.1 cm) for 5" (12.7 cm) vent system
- H. 9 $\frac{7}{16}$ " (21.6 cm)
- I. 13 $\frac{3}{8}$ " (33.9 cm) from the top of the countertop surface
- J. Wall exhaust option

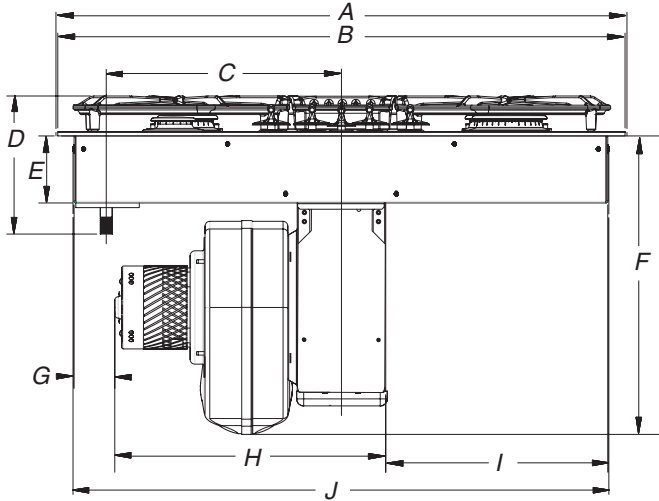
PRODUCT DIMENSIONS

30" (76.2 cm) Cooktop



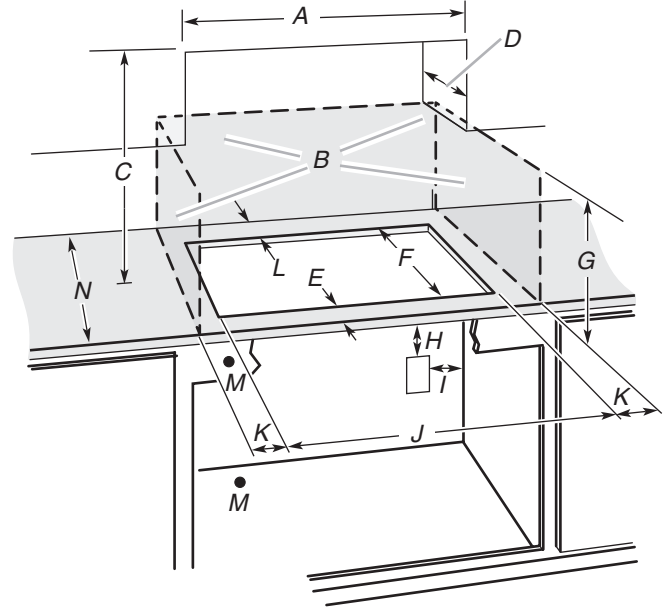
- A. 21 $\frac{37}{64}$ " (54.8 cm) with stainless steel trim or 21 $\frac{1}{2}$ " (54.6 cm) without stainless steel trim
- B. 19 $\frac{47}{64}$ " (50.1 cm) screw head to screw head
- C. Model/serial rating/clearance plate location

PRODUCT DIMENSIONS (cont.)



- A. 29 ¹⁵/₁₆" (76.1 cm) without stainless steel trim
 B. 30 ¹/₃₂" (76.3 cm) with stainless steel trim
 C. 12 ²⁹/₆₄" (31.6 cm) centerline of cooktop to centerline of gas manifold pipe
 D. 7 ⁵/₁₆" (18.6 cm)
 E. 3 ³⁹/₆₄" (9.2 cm)
 F. 15" (38.1 cm)
 G. 2 ⁵/₃₂" (5.5 cm) recommended minimum cabinet to motor clearance
 H. 14 ¹/₃₂" (36.4 cm)
 I. 11 ⁴⁹/₆₄" (29.9 cm)
 J. 28 ³/₈" (72.1 cm) screw head to screw head

CABINET DIMENSIONS



- A. 30" (76.2 cm)
 B. Combustible area above countertop (shown by dashed box above)
 C. 30" (76.2 cm) minimum clearance between top of cooktop platform and bottom of uncovered wood or metal cabinet (24" [61.0 cm] minimum clearance if bottom of wood or metal cabinet is covered by not less than ¹/₄" [0.6 cm] flame retardant millboard covered with not less than No. 28 MSG sheet steel, 0.015" [0.04 cm] stainless steel, or 0.024" [0.06 cm] aluminum or 0.020" [0.05 cm] copper)
 D. 13" (33.0 cm) recommended upper cabinet depth
 E. 2 ¹/₈" (5.4 cm)
 F. 19 ⁵/₁₆" (50.6 cm)
 G. 18" (45.7 cm) minimum clearance from upper cabinet to countertop within minimum horizontal clearances to cooktop
 H. Junction box or outlet; 12" (30.5 cm) minimum from bottom of countertop
 I. Junction box or outlet; 10" (25.4 cm) from right-hand side of cabinet
 J. 28 ⁵/₈" (72.7 cm) on 30" (76.2 cm) models
 K. 8" (20.3 cm) minimum distance to nearest left and right side combustible surface above cooktop
 L. 2" (5.1 cm) minimum clearance between back wall and countertop
 M. Gas line opening - Wall: anywhere 6" (15.2 cm) below underside of countertop on the left side. Cabinet floor: anywhere within 6" (15.2 cm) of rear wall on the left side is recommended.
 N. 25" (63.5 cm) depth of countertop

NOTES: After making the countertop cutout, some installations may require notching down the base cabinet side walls to clear the cooktop base. To avoid this modification, use a base cabinet with sidewalls wider than the cutout.

- A minimum side clearance of 6" (15.2 cm) is recommended between side of cooktop and side wall for maximum ventilation performance.
- A minimum clearance of 2" (5.1 cm) is recommended between the motor/blower and cabinet for proper cooling. A 6" (15.2 cm) clearance is recommended for servicing access.