



---

# COMMERCIAL STYLE GAS COOKTOP

## Use & Care Guide

For questions about features, operation/performance, parts, accessories or service, call: **1-800-422-1230** or visit our website at [www.kitchenaid.com](http://www.kitchenaid.com)

In Canada, call: **1-800-807-6777** or visit our website at [www.KitchenAid.ca](http://www.KitchenAid.ca)

---

# TABLE DE CUISSON À GAZ DE STYLE COMMERCIAL

## Guide d'utilisation et d'entretien

Au Canada, pour assistance, installation ou service, composer le **1-800-807-6777** ou visiter notre site Web à [www.KitchenAid.ca](http://www.KitchenAid.ca)

---

Table of Contents/Table des matières..... 2



Models/Modèles **KGCP462 KGCP463 KGCP467 KGCP482 KGCP483 KGCP484 KGCP487**

W10162189A

---

## TABLE OF CONTENTS

<b>COOKTOP SAFETY</b> .....	<b>3</b>
<b>PARTS AND FEATURES</b> .....	<b>5</b>
<b>COOKTOP USE</b> .....	<b>8</b>
Cooktop Controls.....	8
Sealed Surface Burners.....	9
Simmer Plate.....	9
Grill (on some models).....	10
Griddle.....	11
Home Canning.....	12
Cookware.....	12
<b>COOKTOP CARE</b> .....	<b>13</b>
General Cleaning.....	13
<b>TROUBLESHOOTING</b> .....	<b>15</b>
<b>ASSISTANCE OR SERVICE</b> .....	<b>16</b>
<b>WARRANTY</b> .....	<b>17</b>

---

## TABLE DES MATIÈRES

<b>SÉCURITÉ DE LA TABLE DE CUISSON</b> .....	<b>18</b>
<b>PIÈCES ET CARACTÉRISTIQUES</b> .....	<b>20</b>
<b>UTILISATION DE LA TABLE DE CUISSON</b> .....	<b>23</b>
Commandes de la table de cuisson.....	23
Brûleurs de surface scellés.....	24
Plaque de mijotage.....	24
Gril (sur certains modèles).....	25
Plaque à frire (sur certains modèles).....	27
Préparation de conserves à la maison.....	28
Ustensiles de cuisson.....	28
<b>ENTRETIEN DE LA TABLE DE CUISSON</b> .....	<b>29</b>
Nettoyage général.....	29
<b>DÉPANNAGE</b> .....	<b>30</b>
<b>ASSISTANCE OU SERVICE</b> .....	<b>31</b>
<b>GARANTIE</b> .....	<b>31</b>

# COOKTOP SAFETY

## Your safety and the safety of others are very important.

We have provided many important safety messages in this manual and on your appliance. Always read and obey all safety messages.



This is the safety alert symbol.

This symbol alerts you to potential hazards that can kill or hurt you and others.

All safety messages will follow the safety alert symbol and either the word “DANGER” or “WARNING.”

These words mean:

**⚠ DANGER**

You can be killed or seriously injured if you don't immediately follow instructions.

**⚠ WARNING**

You can be killed or seriously injured if you don't follow instructions.

All safety messages will tell you what the potential hazard is, tell you how to reduce the chance of injury, and tell you what can happen if the instructions are not followed.

**WARNING: If the information in this manual is not followed exactly, a fire or explosion may result causing property damage, personal injury or death.**

- Do not store or use gasoline or other flammable vapors and liquids in the vicinity of this or any other appliance.
- **WHAT TO DO IF YOU SMELL GAS:**
  - Do not try to light any appliance.
  - Do not touch any electrical switch.
  - Do not use any phone in your building.
  - Immediately call your gas supplier from a neighbor's phone. Follow the gas supplier's instructions.
  - If you cannot reach your gas supplier, call the fire department.
- Installation and service must be performed by a qualified installer, service agency or the gas supplier.

## IMPORTANT SAFETY INSTRUCTIONS

**WARNING:** To reduce the risk of fire, electrical shock, injury to persons, or damage when using the cooktop, follow basic precautions, including the following:

- **WARNING:** NEVER use this appliance as a space heater to heat or warm the room. Doing so may result in carbon monoxide poisoning and overheating of the cooktop.
- **CAUTION:** Do not store items of interest to children in cabinets above the cooktop – children climbing on the cooktop to reach items could be seriously injured.
- Proper Installation – The cooktop, when installed, must be electrically grounded in accordance with local codes or, in the absence of local codes, with the *National Electrical Code, ANSI/NFPA70 or the Canadian Electrical Code, Part 1*. Be sure the cooktop is properly installed and grounded by a qualified technician.
- This cooktop is equipped with a three-prong grounding plug for your protection against shock hazard and should be plugged directly into a properly grounded receptacle. Do not cut or remove the grounding prong from this plug.
- Disconnect the electrical supply before servicing the cooktop.
- Injuries may result from the misuse of the cooktop such as stepping, leaning, or sitting on the top surface.
- Maintenance – Keep cooktop area clear and free from combustible materials, gasoline, and other flammable vapors and liquids.
- Storage on the cooktop – Flammable materials should not be stored on or near surface units.
- Top burner flame size should be adjusted so it does not extend beyond the edge of the cooking utensil.

## SAVE THESE INSTRUCTIONS

The California Safe Drinking Water and Toxic Enforcement Act requires the Governor of California to publish a list of substances known to the State of California to cause cancer, birth defects, or other reproductive harm, and requires businesses to warn of potential exposure to such substances.

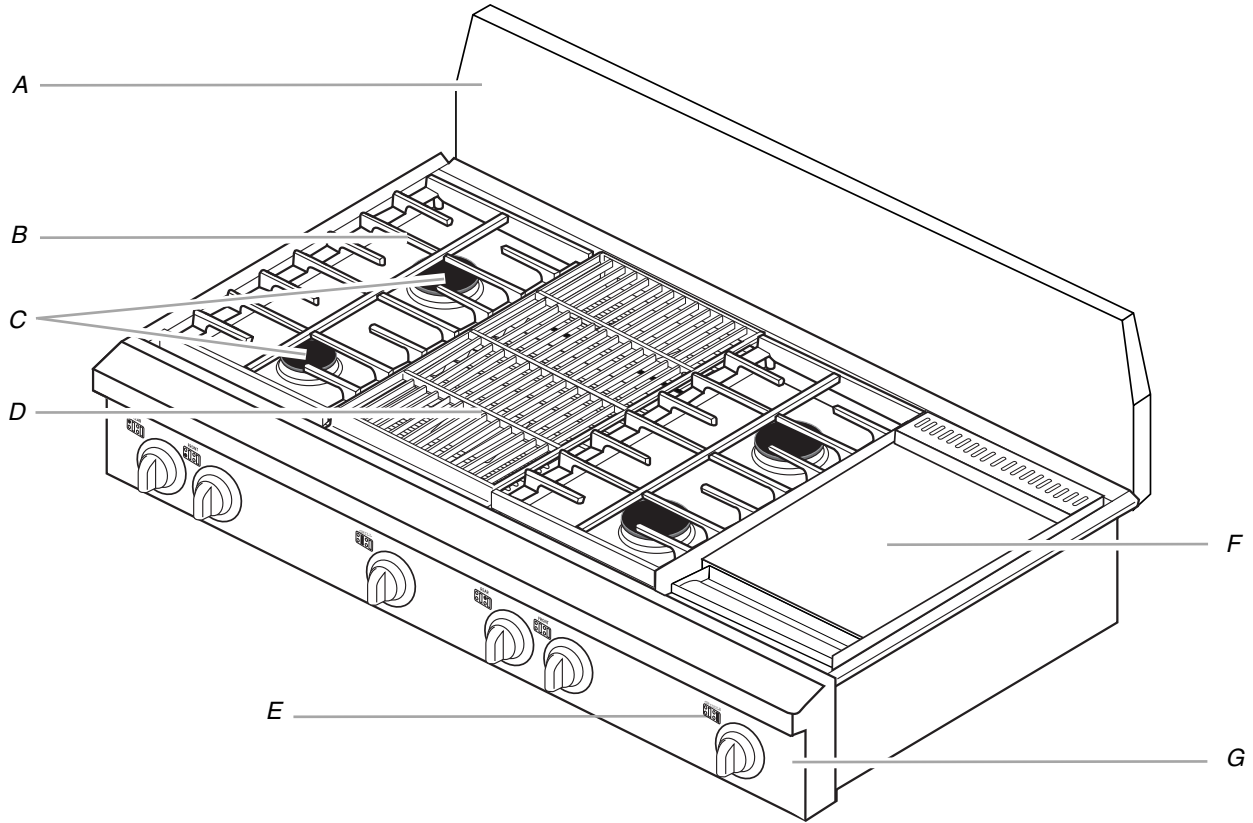
**WARNING:** This product contains a chemical known to the State of California to cause cancer, birth defects, or other reproductive harm.

This appliance can cause low-level exposure to some of the substances listed, including benzene, formaldehyde, carbon monoxide, toluene, and soot.

# PARTS AND FEATURES

This manual covers several different models. The cooktop you have purchased may have some or all of the items listed. The locations and appearances of the features shown here may not match those of your model.

## 48" (121.9 cm) Cooktop



A. Stainless steel backguard  
(island trim not shown)

B. Surface burner grate

C. Surface burner

D. Grill (on some models)

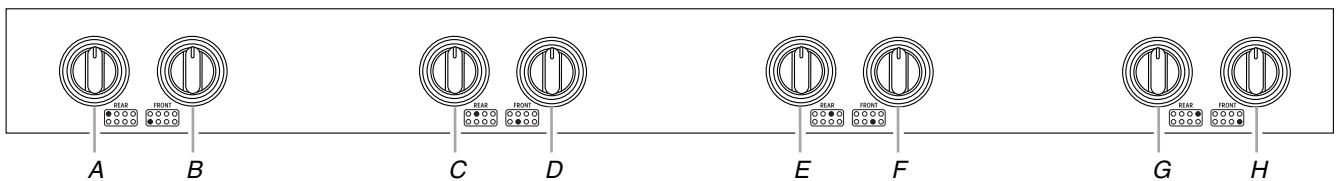
E. Surface burner marker

F. Griddle

(on some models)

G. Control panel

## 48" (121.9 cm) Control Panels



A. Left rear control knob (15,000 Btu/h)

B. Left front control knob (6,000 Btu/h)

C. Center left rear control knob (15,000 Btu/h)

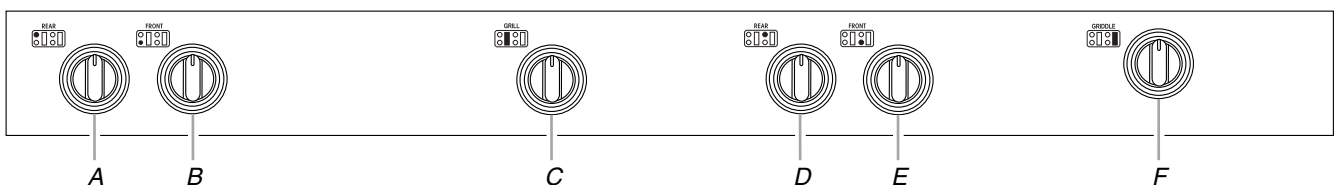
D. Center left front control knob (15,000 Btu/h)

E. Center right rear control knob (15,000 Btu/h)

F. Center right front control knob  
(15,000 Btu/h)

G. Right rear control knob (15,000 Btu/h)

H. Right front control knob (6,000 Btu/h)



A. Left rear control knob (15,000 Btu/h)

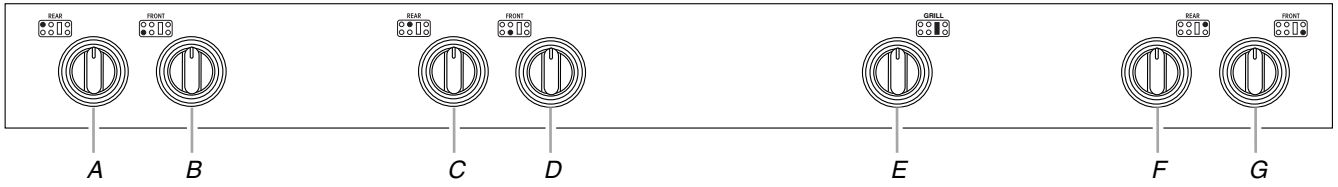
B. Left front control knob (6,000 Btu/h)

C. Grill control knob (18,000 Btu/h)

D. Center right rear control knob (15,000 Btu/h)

E. Center right front control knob  
(15,000 Btu/h)

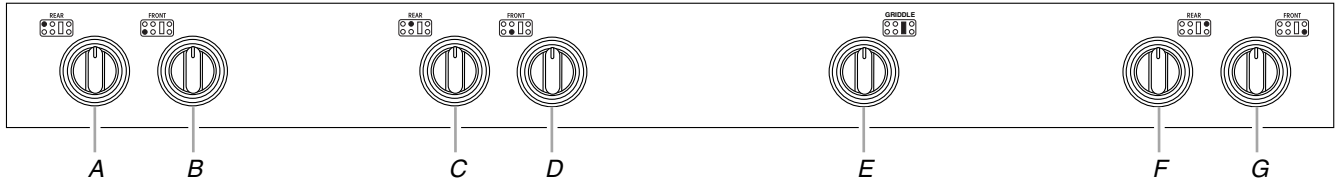
F. Griddle control knob (15,000 Btu/h)



A. Left rear control knob (15,000 Btu/h)  
 B. Left front control knob (6,000 Btu/h)

C. Center left rear control knob (15,000 Btu/h)  
 D. Center left front control knob (15,000 Btu/h)  
 E. Grill control knob (18,000 Btu/h)

F. Right rear control knob (15,000 Btu/h)  
 G. Right front control knob (6,000 Btu/h)

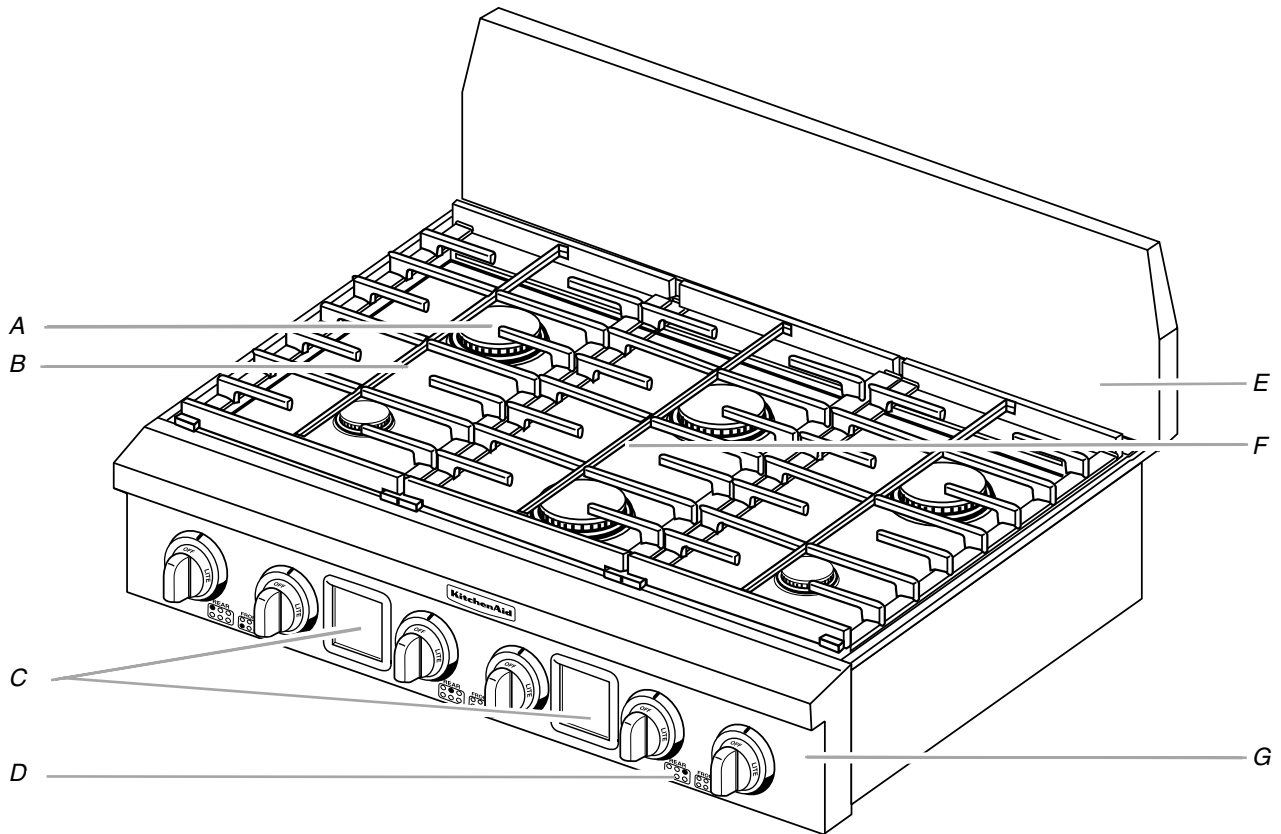


A. Left rear control knob (15,000 Btu/h)  
 B. Left front control knob (6,000 Btu/h)

C. Center left rear control knob (15,000 Btu/h)  
 D. Center left front control knob (15,000 Btu/h)  
 E. Griddle control knob (15,000 Btu/h)

F. Right rear control knob (15,000 Btu/h)  
 G. Right front control knob (6,000 Btu/h)

### 36" (91.4 cm) Cooktop

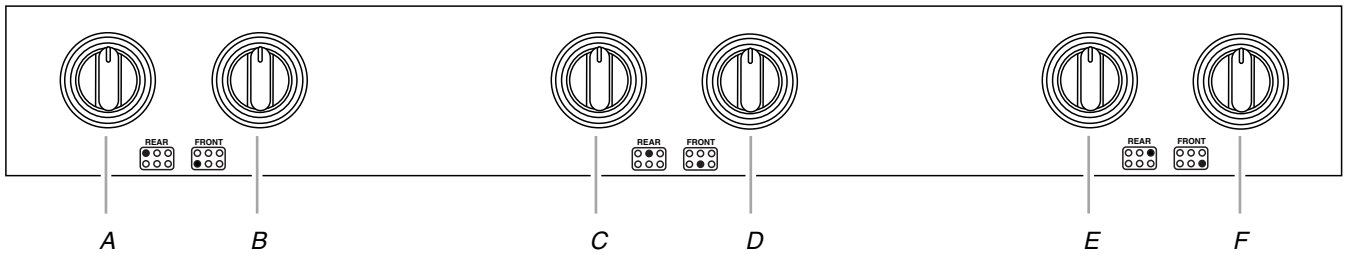


A. Surface burner  
 B. Surface burner grate

C. Tile bezel assembly (on some models)  
 D. Surface burner marker  
 E. Stainless steel backguard (island trim not shown)

F. Grill or griddle (on some models)  
 G. Control panel

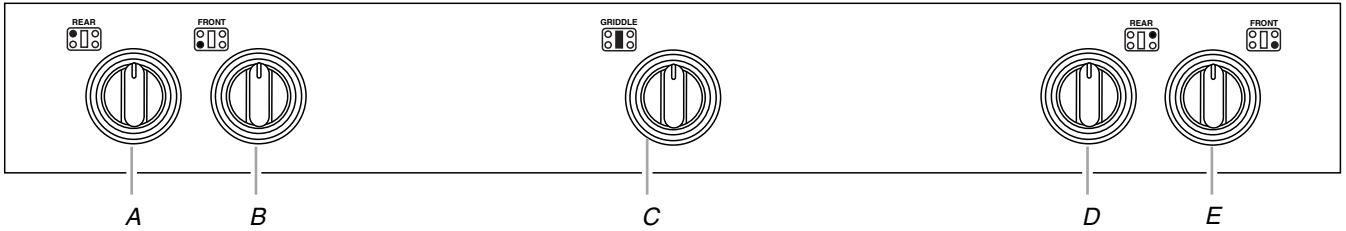
### 36" (91.4 cm) Control Panels



A. Left rear control knob (15,000 Btu/h)  
B. Left front control knob (6,000 Btu/h)

C. Center rear control knob (15,000 Btu/h)  
D. Center front control knob (15,000 Btu/h)

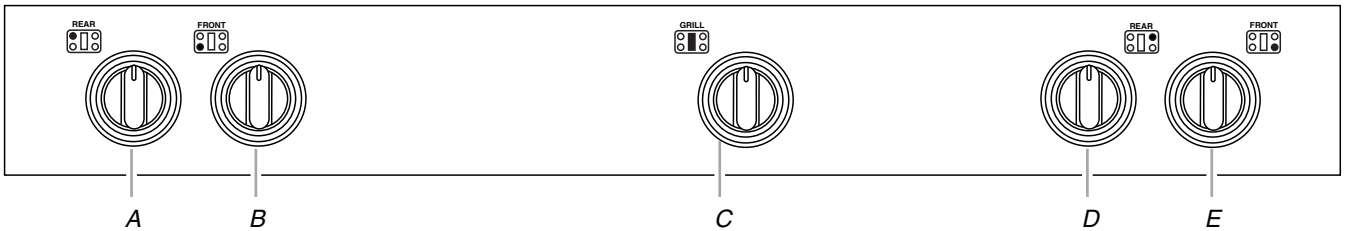
E. Right rear control knob (15,000 Btu/h)  
F. Right front control knob (6,000 Btu/h)



A. Left rear control knob (15,000 Btu/h)  
B. Left front control knob (6,000 Btu/h)

C. Griddle control knob (15,000 Btu/h)

D. Right rear control knob (15,000 Btu/h)  
E. Right front control knob (6,000 Btu/h)



A. Left rear control knob (15,000 Btu/h)  
B. Left front control knob (6,000 Btu/h)

C. Grill control knob (18,000 Btu/h)

D. Right rear control knob (15,000 Btu/h)  
E. Right front control knob (6,000 Btu/h)

# COOKTOP USE

## Cooktop Controls

### **! WARNING**



#### Fire Hazard

**Do not let the burner flame extend beyond the edge of the pan.**

**Turn off all controls when not cooking.**

**Failure to follow these instructions can result in death or fire.**

**IMPORTANT:** Your cooktop is factory-set for use with Natural gas. If you wish to use LP gas, an LP Gas Conversion Kit is included with your new cooktop. See the instructions included with the LP Gas Conversion Kit for details on making this conversion.

Electric igniters automatically light the surface burners when control knobs are turned to LITE.

The large burners (18,000 and 15,000 Btu/h [British Thermal Units]) provide the highest heat setting, and are ideal for cooking large quantities of food or liquid, using large pots and pans. The small burners (6,000 Btu/h) allow more accurate simmer control at the lowest setting, and are ideal for cooking smaller quantities of food, using smaller pots and pans.

Before setting a control knob, place filled cookware on the grate. Do not operate a burner while using empty cookware or without any cookware on the grate.

**NOTE:** Visually check that the burner has lit. If the burner does not ignite, listen for the clicking sound. If you do not hear the igniter click, turn the burner off. Check for a tripped circuit breaker or blown fuse.

Check that the control knob is pressed completely down on the valve shaft. If the spark igniter still does not operate, call a trained repair specialist.

Proper grounding and polarity are necessary for correct operation of the electric ignition system. If the wall receptacle does not provide correct polarity, the igniter will become grounded and occasionally click, even after the burner has ignited. Contact a trained repair specialist to check the wall receptacle to see if it is wired with the correct polarity.

#### To Set:

1. Push in and turn knob counterclockwise to LITE.  
All surface burners will click. Only the burner with the control knob turned to LITE will produce a flame.
2. Turn knob to anywhere between HI and LO. Use the following chart as a guide when setting heat levels.

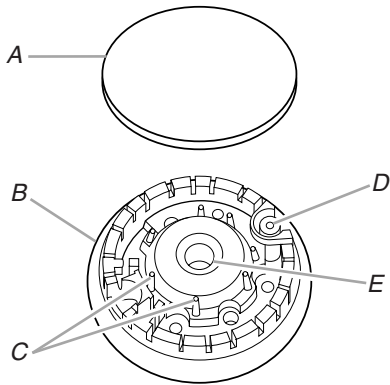
SETTING	RECOMMENDED USE
LITE	■ Light the burner.
HI	■ Start food cooking. ■ Bring liquid to a boil.
MED to HI	■ Hold a rapid boil. ■ Quickly brown or sear food.
MED	■ Fry or sauté foods. ■ Hold a slow boil.
MED to LO	■ Cook soups, sauces and gravies. ■ Stew or steam foods.
LO	■ Keep food warm. ■ Simmer

**REMEMBER:** When cooktop is in use, the entire cooktop area may become hot.



## Sealed Surface Burners

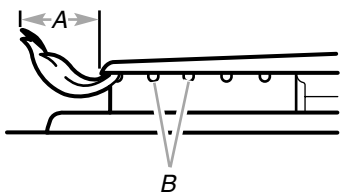
**IMPORTANT:** Do not obstruct the flow of combustion and ventilation air around the burner grate edges.



A. Burner cap  
B. Burner base  
C. Alignment pins  
D. Igniter  
E. Gas tube opening

**Burner cap:** Always keep the burner cap in place when using a surface burner. A clean burner cap will help avoid poor ignition and uneven flames. Always clean the burner cap after a spillover and routinely remove and clean the caps according to the "General Cleaning" section.

**Gas tube opening:** Gas must flow freely throughout the gas tube opening for the burner to light properly. Keep this area free of soil and do not allow spills, food, cleaning agents or any other material to enter the gas tube opening. Protect it from spillovers by always using a burner cap.



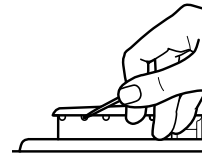
A. 1-1½" (25-38 mm)  
B. Burner ports

**Burner ports:** Check burner flames occasionally for proper size and shape as shown above. A good flame is blue in color, not yellow. Keep this area free of soil and do not allow spills, food, cleaning agents or any other material to enter the burner ports.

## To Clean:

**IMPORTANT:** Before cleaning, make sure all controls are off and the oven and cooktop are cool. Do not use oven cleaners, bleach or rust removers.

1. Remove the burner cap from the burner base and clean according to "General Cleaning" section.
2. Clean the gas tube opening with a damp cloth.
3. Clean clogged burner ports with a straight pin as shown. Do not enlarge or distort the port. Do not use a wooden toothpick. If the burner needs to be adjusted, contact a trained repair specialist.



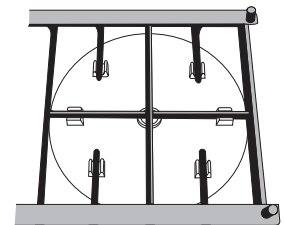
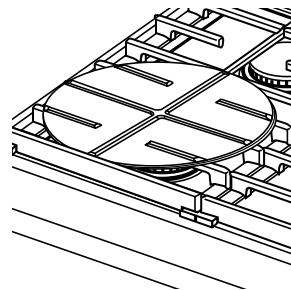
4. Replace the burner cap, making sure the alignment pins are properly aligned with the burner cap.



A. Incorrect  
B. Correct

5. Turn on the burner. If the burner does not light, check cap alignment. If the burner still does not light, do not service the sealed burner yourself. Contact a trained repair specialist.

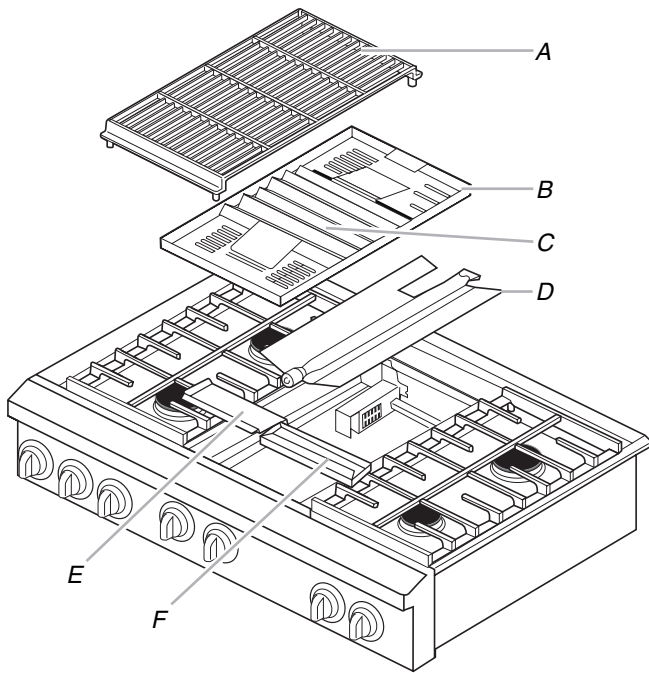
## Simmer Plate



- The Simmer Plate is made of aluminum with a nonstick coating to evenly spread the heat over the bottom of cookware.
- Channels on the bottom of the Simmer Plate have been designed so it fits properly and securely over the grate. See above illustration.
- The Simmer Plate may be used on large and small surface burners.
- Use the Simmer Plate with burner settings in the medium to low range on the cooktop when lower temperatures are needed for simmering, or for maintaining food at a low temperature over an extended period of time.

See "Assistance or Service" section to order extra Simmer Plates.

## Grill (on some models)



A. Grill grate  
B. Wave tray  
C. Wave plate  
D. Burner assembly  
E. Front spill guard  
F. Drip tray

The grill module consists of a cast-iron grate, a wave tray, a wave plate, a burner assembly, a front spill guard and a drip tray. It is used to grill foods. Refer to the “Grill Chart” for cook times and settings.

When using the grill, follow the guidelines below.

- Do not leave the grill unattended while cooking.
- Do not use aluminum foil, charcoal or wood chips.
- Trim excess fat to reduce spattering. Slit the remaining fat on the edges to avoid curling.
- Allow space between food on the grill. Crowding food will result in uneven cooking.
- Use a metal spatula or tongs to turn food.
- Steaks, chops and hamburgers should be turned only once to avoid loss of juices.
- For even cooking, foods such as chicken quarters should be turned several times.
- To check for doneness of meats and poultry, use an instant read thermometer or make a small cut in the center of the food. This will avoid loss of juices.

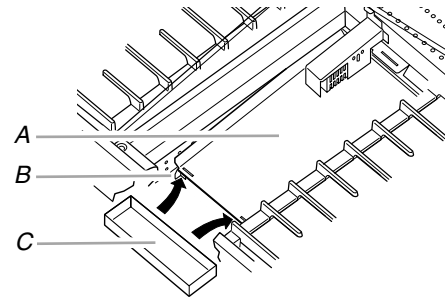
Before removing or replacing grill, make sure the control knobs are turned to OFF. Allow the grill to cool completely before handling.

### To Remove:

1. Remove grill grate.
2. Remove wave tray and wave plate.
3. Remove burner assembly.
4. Remove front spill guard.
5. Remove drip tray.
6. Clean basin. See “General Cleaning” section.

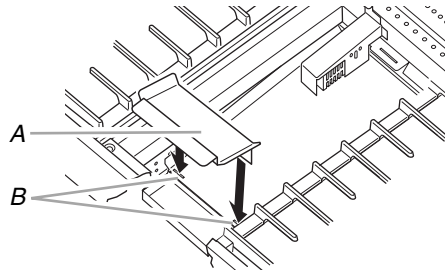
### To Replace:

1. Lift burner assembly out of basin and set aside.
2. Place drip tray on bottom of grill basin and slide the tray forward so that it is located side to side and against the locating feet of the rear spill guard.



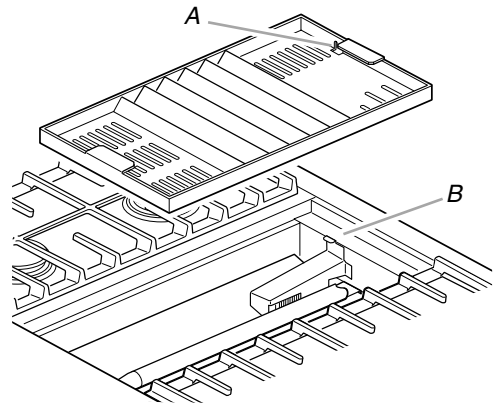
A. Rear spill guard  
B. Locating feet  
C. Drip tray

3. Insert the front spill guard feet into the slots in the rear spill guard. The rear flange will rest on the burner box.



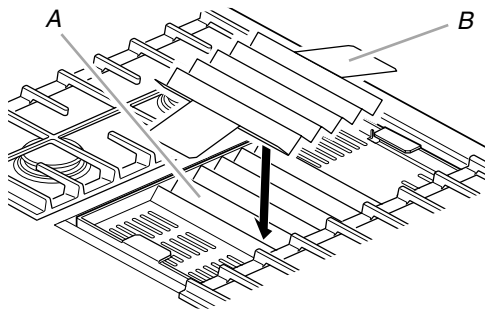
A. Front spill guard  
B. Feet and slots

4. Place burner assembly over spill guard, making sure burner's rear flange is seated in slot.
5. Install the wave tray into the grill. The tab in the left rear corner of the bay must fit through the slot in the left rear corner of the wave tray.



A. Slot for locating tab  
B. Locating tab

6. Place the wave plate on the wave tray. The wave plate must be centered on the wave tray.



A. Wave tray  
B. Wave plate

7. Replace grill grate.

**To Use:**

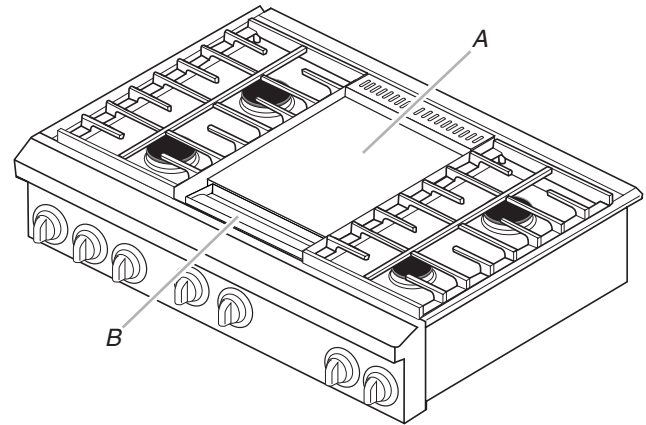
1. Turn on overhead range hood.
2. If desired, apply a light coating of vegetable oil or nonstick cooking spray to grill grate.
3. Push in and turn knob to LITE/HI. The flame will ignite in 30-40 seconds. Allow grill to preheat for 10 minutes.
4. Turn knob to desired cook setting. Place food on grill.

**GRILL CHART**

The settings and times are guidelines only and may need to be adjusted for individual tastes.

FOOD	SETTING	COOK TIME TOTAL MINUTES
<b>Steak</b>		
1" (2.5 cm)		
medium	MED-HI	16-20
well-done	MED-HI	20-30
<b>Ground Meat Patties</b>		
½ - ¾" (1.3-1.9 cm)	MED	20-25
<b>Pork Chops</b>		
1" (2.5 cm)	MED	35-55
<b>Ham Slices</b>		
½" (1.3 cm)	MED-HI	8-12
<b>Frankfurters and Precooked Sausages</b>		
	MED	8-15
<b>Chicken</b>		
Quarters	MED-LO	50-80
Breasts, boneless	MED	20-40
<b>Fish Steaks</b>		
¾ - 1" (1.9-2.5 cm)	MED	10-15

**Griddle**  
(on some models)



A. Griddle  
B. Drip tray

The griddle, made of brushed, cold-rolled steel, is similar to those used in commercial kitchens. The griddle is packaged with a protective grease coating covered with paper that must be removed completely with hot, soapy water. Rinse, dry, and season the griddle immediately after removing the protective coating or the griddle will rust. See the "General Cleaning" section for more information.

- It is normal for the griddle to darken with use.
- Do not place any pots or pans on the seasoned griddle to keep food warm.
- The griddle must be level to operate properly.
- Do not pour cold water on a hot griddle. This may warp the griddle, producing an uneven cooking surface.

**To Season or Reseason the Griddle:**

Seasoning the griddle is important because it keeps food from sticking during cooking and averts rusting.

1. Pour 1 tsp (5 mL) of vegetable oil onto the center of the griddle and spread evenly over the entire surface with a paper towel. Do not use corn or olive oil.
2. Push in and turn knob to 350°F (177°C) setting. When the oil begins to smoke, turn the control knob to the OFF position and allow the griddle to cool. Wipe off excess oil with a paper towel.
3. Apply a thin layer of vegetable oil to the entire surface of the griddle. The griddle is now ready to use.
4. After each use, reseason the griddle using steps 1 through 3.
5. The griddle can be used without additional vegetable oil after it has been properly seasoned.

**Using the Griddle:**

1. Position the drip tray under the front edge of the griddle to catch grease and food residue.
2. Push in and turn the control knob to desired temperature.
3. Allow 10 to 15 minutes for the griddle to preheat to the temperature selected.
4. Place food on the griddle and cook to desired doneness.

### After Each Use:

1. Turn the griddle off and let cool. Rinse griddle with 1/2 cup (125 mL) hot, soapy water.
2. Scrape griddle residue into drip tray.
3. Remove and clean the drip tray and the area below. Use care when tipping the drip tray so that the contents are not spilled when removing.
4. Rinse griddle with 1/2 cup (125 mL) hot water. Dry griddle and drip tray with paper towel to remove excess grease and oil.

### GRIDDLE CHART

The settings and times are guidelines only and may need to be adjusted for individual tastes.

FOOD	SETTING	COOK TIME TOTAL MINUTES
Sausage Patties and Links	325°F (163°C)	12-18
Bacon Slices	350°F (177°C)	7-11
Ham Steak (fully cooked)	325°F (163°C)	5-7
Ground Meat Patties	350°F (177°C)	10-15
Frankfurters and Precooked Sausages	325°F (163°C)	8-15
Fish Steaks, Fillets	325°F (163°C)	8-15
Eggs	300°F (149°C)	3-5
Hash Brown Potatoes	400°F to 425°F (204°C to 218°C)	8-12
French Toast	350°F (177°C)	5-7
Pancakes	350°F (177°C)	2-4
Grilled Sandwiches	325°F (163°C)	3-5

## Home Canning

When canning for long periods, alternate the use of surface burners between batches. This allows time for the most recently used areas to cool.

- Center the canner on the grate.
- Do not place canner on 2 surface burners at the same time.
- For more information, contact your local agricultural department. Companies that manufacture home canning products can also offer assistance.

## Cookware

**IMPORTANT:** Do not leave empty cookware on a hot surface cooking area, element or surface burner.

Ideal cookware should have a flat bottom, straight sides and a well-fitting lid, and the material should be of medium-to-heavy thickness.

Rough finishes may scratch the cooktop or grates. Aluminum and copper may be used as a core or base in cookware. However, when used as a base they can leave permanent marks on the cooktop or grates.

Cookware material is a factor in how quickly and evenly heat is transferred, which affects cooking results. A nonstick finish has the same characteristics as its base material. For example, aluminum cookware with a nonstick finish will take on the properties of aluminum.

Cookware with nonstick surfaces should not be used under the broiler.

Use the following chart as a guide for cookware material characteristics.

COOKWARE	CHARACTERISTICS
<b>Aluminum</b>	<ul style="list-style-type: none"><li>■ Heats quickly and evenly.</li><li>■ Suitable for all types of cooking.</li><li>■ Medium or heavy thickness is best for most cooking tasks.</li></ul>
<b>Cast iron</b>	<ul style="list-style-type: none"><li>■ Heats slowly and evenly.</li><li>■ Good for browning and frying.</li><li>■ Maintains heat for slow cooking.</li></ul>
<b>Ceramic or Ceramic glass</b>	<ul style="list-style-type: none"><li>■ Follow manufacturer's instructions.</li><li>■ Heats slowly, but unevenly.</li><li>■ Ideal results on low to medium heat settings.</li></ul>
<b>Copper</b>	<ul style="list-style-type: none"><li>■ Heats very quickly and evenly.</li></ul>
<b>Earthenware</b>	<ul style="list-style-type: none"><li>■ Follow manufacturer's instructions.</li><li>■ Use on low heat settings.</li></ul>
<b>Porcelain enamel-on-steel or cast iron</b>	<ul style="list-style-type: none"><li>■ See stainless steel or cast iron.</li></ul>
<b>Stainless steel</b>	<ul style="list-style-type: none"><li>■ Heats quickly, but unevenly.</li><li>■ A core or base of aluminum or copper on stainless steel provides even heating.</li></ul>

---

# COOKTOP CARE

---

## General Cleaning

**IMPORTANT:** Before cleaning, make sure all controls are off and the cooktop is cool. Always follow label instructions on cleaning products.

Soap, water and a soft cloth or sponge are suggested first unless otherwise noted.

---

### EXTERIOR PORCELAIN ENAMEL SURFACES

---

Food spills containing acids, such as vinegar and tomato, should be cleaned as soon as the entire appliance is cool. These spills may affect the finish.

**Cleaning Method:**

- Glass cleaner, mild liquid cleaner or nonabrasive scrubbing pad:  
Gently clean around the model and serial number plate because scrubbing may remove numbers.

---

### STAINLESS STEEL

---

Do not use soap-filled scouring pads, abrasive cleaners, Cooktop Polishing Creme, steel-wool pads, gritty washcloths or some paper towels. Damage may occur.

Rub in direction of grain to avoid damaging.

**Cleaning Method:**

- KitchenAid® Stainless Steel Cleaner & Polish:  
See “Assistance or Service” section to order.
- Liquid detergent or all-purpose cleaner:  
Rinse with clean water and dry with soft, lint-free cloth.
- Vinegar for hard water spots

---

### PORCELAIN-COATED GRATES AND CAPS

---

Food spills containing acids, such as vinegar and tomato, should be cleaned as soon as the cooktop, grates and caps are cool. These spills may affect the finish.

To avoid chipping, do not bang grates and caps against each other or hard surfaces such as cast iron cookware.

Do not reassemble caps on burners while wet.

Do not clean in the Self-Cleaning cycle.

Do not clean in dishwasher.

**Cleaning Method:**

- Nonabrasive pad and mildly abrasive cleanser:  
Clean as soon as cooktop, grates and caps are cool.

---

### SURFACE BURNERS

---

**Sealed Burner models**

See “Sealed Surface Burners” section.

---

### CONTROL KNOBS

---

Do not use steel wool, abrasive cleansers or oven cleaner.

Do not soak knobs.

When replacing knobs, make sure knobs are in the Off position.

On some models, do not remove seals under knobs.

**NOTE:** When replacing knobs after cleaning either the surface burner controls or the grill module control, make sure the knobs are replaced to the correct location. For example, the knobs for the surface burner controls will read “LITE,” while the knob for the grill will read “LITE/Hi.”

**Cleaning Method:**

- Soap and water or dishwasher:  
Pull knobs straight away from control panel to remove.

---

### CONTROL PANEL

---

Do not use abrasive cleaners, steel-wool pads, gritty washcloths or some paper towels. Damage may occur.

**Cleaning Method:**

- Soap and water.  
Wash, rinse and dry with a soft cloth.
- Glass cleaner and soft cloth or sponge:  
Apply glass cleaner to soft cloth or sponge, not directly on panel.

---

### SIMMER PLATE

---

Do not clean in dishwasher.

**Cleaning Method:**

- Liquid detergent and water.  
Wipe with damp cloth or sponge then rinse with clean water and wipe dry.
- Mild-abrasive cleanser  
Rub in the direction of the grain lines with a damp cloth or sponge. Rinse thoroughly. Repeat if necessary.

---

## GRILL MODULE

---

For more information, see “Grill” section.

Do not use oven cleaners, metal brushes, abrasive scouring pads or other scrubbers made to clean outdoor grills.

### Grill Grate

Do not clean grill grate in dishwasher.

Do not clean in a self-cleaning oven.

- Clean the grill grate shortly after cooking is completed and the burner has been turned off.
- While still warm, use a soft bristle barbecue brush to scrub the grill grate. Oven mitts may be worn while cleaning.
- For thorough cleaning of the grill grate, soak in warm, soapy water for 30 minutes. After soaking, scrub with nonabrasive pad.

### Wave Tray and Wave Plate

- Soak in warm, soapy water to loosen soil. After soaking, scrub with a nonabrasive pad.
- Oven cleaner.

### Burner Assembly

Do not soak in water.

- Soap and water or nonabrasive cleanser.
- Damp cloth or nonabrasive pad.

### Front Spill Guard and Drip Tray

Allow cooktop to cool completely before cleaning.

- Soap and water or nonabrasive cleanser.
- Damp cloth or nonabrasive pad.

### Module Basin

- Warm, soapy water.
- Nonabrasive pad or sponge.
- For heavy soil, soak paper towels in household cleanser and lay them on the soil for at least 30 minutes. After soaking, scrub with a nonabrasive pad.

---

## GRIDDLE MODULE

---

Clean the griddle shortly after removing food and the griddle has cooled down.

### Cleaning Method:

- To clean the surface, use a pumice stone or cleaning screen. To avoid damaging the surface, always rub in the direction of the polish lines. A pumice stone or cleaning screen can be purchased at a food service restaurant supply or specialty cooking store.
- Hot, soapy water and/or plastic scrub pad.
- After cleaning, dry surface with a paper towel. To protect the finish and avoid rust, wipe the entire surface with a light film of vegetable oil.

### Drip Tray and Area Under Tray

Allow cooktop to cool completely before cleaning.

### Cleaning Method:

- Soap and water or nonabrasive cleanser.
- Damp cloth or nonabrasive pad.
- Dry completely before placing drip tray in position.

---

# TROUBLESHOOTING

Try the solutions suggested here first in order to avoid the cost of an unnecessary service call.

---

## Nothing will operate

---

- **Has a household fuse blown, or has a circuit breaker tripped?**  
Replace the fuse or reset the circuit breaker. If the problem continues, call an electrician.
- 

## Surface burners will not operate

---

- **Is this the first time the surface burners have been used?**  
Turn on any one of the surface burner knobs to release air from the gas lines.
  - **Is the control knob set correctly?**  
Push in knob before turning to a setting.
  - **Are the burner ports clogged?**  
On sealed burner models, see “Sealed Surface Burners” section.
- 

## Surface burner flames are uneven, yellow and/or noisy

---

- **Are the burner ports clogged?**  
On sealed burner models, see “Sealed Surface Burners” section.
  - **On models with caps, are the burner caps positioned properly?**  
See “Sealed Surface Burners” section.
  - **Is the burner damaged?**  
On models with caps, look for a warped cap. If cap will not spin freely on a flat surface, painted side down, the cap is warped. Switch cap with a different surface burner to check for further warping. Contact a trained repair specialist.
  - **Is propane gas being used?**  
The appliance may have been converted improperly. Contact a trained repair specialist.
- 

## Surface burner makes popping noises

---

- **Is the burner wet?**  
Let it dry.
- 

## Burner sparks but does not light

---

- **Is there continuous sparking, but the burner does not light?**  
Discontinue use of the surface burner and contact a service technician.
- 

## Excessive heat around cookware on cooktop

---

- **Is the cookware the proper size?**  
Use cookware about the same size as the surface cooking area, element or surface burner. Cookware should not extend more than ½" (1.3 cm) outside the cooking area.
- 

## Cooktop cooking results not what expected

---

- **Is the proper cookware being used?**  
See “Cookware” section.
  - **Is the control knob set to the proper heat level?**  
See “Cooktop Controls” section.
  - **Is the appliance level?**  
Level the appliance. See the Installation Instructions.
- 

## Grill and Griddle results not what expected

---

- **Was the grill or griddle preheated?**  
Preheat grill or griddle. See “Grill” or “Griddle” sections for more information.
  - **Is there proper air circulation between foods?**  
Space food evenly across the grill grates.
  - **Are foods taking too long to cook?**  
Partially frozen or very cold foods will increase cooking time. Thoroughly defrost foods.
-

---

# ASSISTANCE OR SERVICE

Before calling for assistance or service, please check “Troubleshooting.” It may save you the cost of a service call. If you still need help, follow the instructions below.

When calling, please know the purchase date and the complete model and serial number of your appliance. This information will help us to better respond to your request.

## If you need replacement parts

If you need to order replacement parts, we recommend that you use only factory specified parts. These factory specified parts will fit right and work right because they are made with the same precision used to build every new KITCHENAID® appliance.

To locate factory specified parts in your area, call us or your nearest KitchenAid designated service center.

---

## In the U.S.A.

Call the KitchenAid Customer eXperience Center toll free: **1-800-422-1230**.

### Our consultants provide assistance with:

- Features and specifications on our full line of appliances.
- Installation information.
- Use and maintenance procedures.
- Accessory and repair parts sales.
- Specialized customer assistance (Spanish speaking, hearing impaired, limited vision, etc.).
- Referrals to local dealers, repair parts distributors and service companies. KitchenAid designated service technicians are trained to fulfill the product warranty and provide after-warranty service, anywhere in the United States.

To locate the KitchenAid designated service company in your area, you can also look in your telephone directory Yellow Pages.

### For further assistance

If you need further assistance, you can write to KitchenAid with any questions or concerns at:

KitchenAid Brand Home Appliances  
Customer eXperience Center  
553 Benson Road  
Benton Harbor, MI 49022-2692

Please include a daytime phone number in your correspondence.

## Accessories U.S.A.

To order accessories, call the KitchenAid Customer Interaction Center toll free at **1-800-442-9991** and follow the menu prompts. Or visit our website at [www.kitchenaid.com](http://www.kitchenaid.com) and click on “Shop-Online,” then “Accessories.”

## Stainless Steel Cleaner & Polish

(stainless steel models)

Order Part Number 4396095

## Simmer Plate

(on some models)

Order Part Number 4455109

---

## In Canada

Call the KitchenAid Canada Customer Interaction Centre toll free: **1-800-807-6777**.

### Our consultants provide assistance with:

- Features and specifications on our full line of appliances.
- Use and maintenance procedures.
- Accessory and repair parts sales.
- Referrals to local dealers, repair parts distributors and service companies. KitchenAid Canada designated service technicians are trained to fulfill the product warranty and provide after-warranty service, anywhere in Canada.

### For further assistance

If you need further assistance, you can write to KitchenAid Canada with any questions or concerns at:

Customer Interaction Centre  
KitchenAid Canada  
1901 Minnesota Court  
Mississauga, Ontario L5N 3A7

Please include a daytime phone number in your correspondence.



---

# KITCHENAID® COOKTOP WARRANTY

---

## LIMITED WARRANTY

For one year from the date of purchase, when this major appliance is operated and maintained according to instructions attached to or furnished with the product, KitchenAid brand of Whirlpool Corporation or Whirlpool Canada LP (hereafter "KitchenAid") will pay for Factory Specified Parts and repair labor to correct defects in materials or workmanship. Service must be provided by a KitchenAid designated service company. This limited warranty is valid only in the United States or Canada and applies only when the major appliance is used in the country in which it was purchased. Outside the 50 United States and Canada, this limited warranty does not apply. Proof of original purchase date is required to obtain service under this limited warranty.

---

## SECOND THROUGH FIFTH YEAR LIMITED WARRANTY ON CERTAIN COMPONENT PARTS

In the second through fifth years from the date of purchase, when this appliance is operated and maintained according to instructions attached to or furnished with the product, KitchenAid or KitchenAid Canada will pay for Factory Specified Parts for the following components if defective in materials or workmanship:

- Electric element
- Gas burners
- Solid state touch control system parts
- Any cracking of the rubber seal between the ceramic glass cooktop and porcelain edge
- Any cracking due to thermal shock of the ceramic glass cooktop
- Surface unit elements

---

## ITEMS EXCLUDED FROM WARRANTY

### This limited warranty does not cover:

1. Service calls to correct the installation of your major appliance, to instruct you on how to use your major appliance, to replace or repair house fuses, or to correct house wiring or plumbing.
2. Service calls to repair or replace appliance light bulbs, air filters or water filters. Consumable parts are excluded from warranty coverage.
3. Repairs when your major appliance is used for other than normal, single-family household use or when it is used in a manner that is contrary to published user or operator instructions and/or installation instructions.
4. Damage resulting from accident, alteration, misuse, abuse, fire, flood, acts of God, improper installation, installation not in accordance with electrical or plumbing codes, or use of consumables or cleaning products not approved by KitchenAid.
5. Cosmetic damage, including scratches, dents, chips or other damage to the finish of your major appliance, unless such damage results from defects in materials or workmanship and is reported to KitchenAid within 30 days from the date of purchase.
6. Costs associated with the removal from your home of your major appliance for repairs. This major appliance is designed to be repaired in the home and only in-home service is covered by this warranty.
7. Repairs to parts or systems resulting from unauthorized modifications made to the appliance.
8. Expenses for travel and transportation for product service if your major appliance is located in a remote area where service by an authorized KitchenAid servicer is not available.
9. The removal and reinstallation of your major appliance if it is installed in an inaccessible location or is not installed in accordance with published installation instructions.
10. Major appliances with original model/serial numbers that have been removed, altered or cannot be easily determined. This warranty is void if the factory applied serial number has been altered or removed from your major appliance.

The cost of repair or replacement under these excluded circumstances shall be borne by the customer.

---

## DISCLAIMER OF IMPLIED WARRANTIES; LIMITATION OF REMEDIES

CUSTOMER'S SOLE AND EXCLUSIVE REMEDY UNDER THIS LIMITED WARRANTY SHALL BE PRODUCT REPAIR AS PROVIDED HEREIN. IMPLIED WARRANTIES, INCLUDING WARRANTIES OF MERCHANTABILITY OR FITNESS FOR A PARTICULAR PURPOSE, ARE LIMITED TO ONE YEAR OR THE SHORTEST PERIOD ALLOWED BY LAW. KITCHENAID SHALL NOT BE LIABLE FOR INCIDENTAL OR CONSEQUENTIAL DAMAGES. SOME STATES AND PROVINCES DO NOT ALLOW THE EXCLUSION OR LIMITATION OF INCIDENTAL OR CONSEQUENTIAL DAMAGES, OR LIMITATIONS ON THE DURATION OF IMPLIED WARRANTIES OF MERCHANTABILITY OR FITNESS, SO THESE EXCLUSIONS OR LIMITATIONS MAY NOT APPLY TO YOU. THIS WARRANTY GIVES YOU SPECIFIC LEGAL RIGHTS, AND YOU MAY ALSO HAVE OTHER RIGHTS WHICH VARY FROM STATE TO STATE OR PROVINCE TO PROVINCE.

---

If outside the 50 United States and Canada, contact your authorized KitchenAid dealer to determine if another warranty applies.

If you need service, first see the "Troubleshooting" section of the Use & Care Guide. After checking "Troubleshooting," you may find additional help by checking the "Assistance or Service" section or by calling KitchenAid. In the U.S.A., call **1-800-422-1230**. In Canada, call **1-800-807-6777**.

9/07

---

**Keep this book and your sales slip together for future reference. You must provide proof of purchase or installation date for in-warranty service.**

Write down the following information about your major appliance to better help you obtain assistance or service if you ever need it. You will need to know your complete model number and serial number. You can find this information on the model and serial number label located on the product.

Dealer name \_\_\_\_\_

Address \_\_\_\_\_

Phone number \_\_\_\_\_

Model number \_\_\_\_\_

Serial number \_\_\_\_\_

Purchase date \_\_\_\_\_

# SÉCURITÉ DE LA TABLE DE CUISSON

## Votre sécurité et celle des autres est très importante.

Nous donnons de nombreux messages de sécurité importants dans ce manuel et sur votre appareil ménager. Assurez-vous de toujours lire tous les messages de sécurité et de vous y conformer.



Voici le symbole d'alerte de sécurité.

Ce symbole d'alerte de sécurité vous signale les dangers potentiels de décès et de blessures graves à vous et à d'autres.

Tous les messages de sécurité suivront le symbole d'alerte de sécurité et le mot "DANGER" ou "AVERTISSEMENT". Ces mots signifient :

**! DANGER**

Risque possible de décès ou de blessure grave si vous ne suivez pas immédiatement les instructions.

**! AVERTISSEMENT**

Risque possible de décès ou de blessure grave si vous ne suivez pas les instructions.

Tous les messages de sécurité vous diront quel est le danger potentiel et vous disent comment réduire le risque de blessure et ce qui peut se produire en cas de non-respect des instructions.

**AVERTISSEMENT : Pour votre sécurité, les renseignements dans ce manuel doivent être observés pour réduire au minimum les risques d'incendie ou d'explosion ou pour éviter des dommages au produit, des blessures ou un décès.**

- Ne pas entreposer ni utiliser de l'essence ou d'autres vapeurs ou liquides inflammables à proximité de cet appareil ou de tout autre appareil électroménager.
- QUE FAIRE DANS LE CAS D'UNE ODEUR DE GAZ :
  - Ne pas tenter d'allumer un appareil.
  - Ne pas toucher à un commutateur électrique.
  - Ne pas utiliser le téléphone se trouvant sur les lieux.
  - Appeler immédiatement le fournisseur de gaz d'un téléphone voisin. Suivre ses instructions.
  - À défaut de joindre votre fournisseur de gaz, appeler les pompiers.
- L'installation et l'entretien doivent être effectués par un installateur qualifié, une agence de service ou le fournisseur de gaz.

# IMPORTANTES INSTRUCTIONS DE SÉCURITÉ

**AVERTISSEMENT** : Pour réduire le risque d'incendie, de choc électrique, de blessures ou de dommages lors de l'utilisation de la table de cuisson, il convient d'observer certaines précautions élémentaires dont les suivantes :

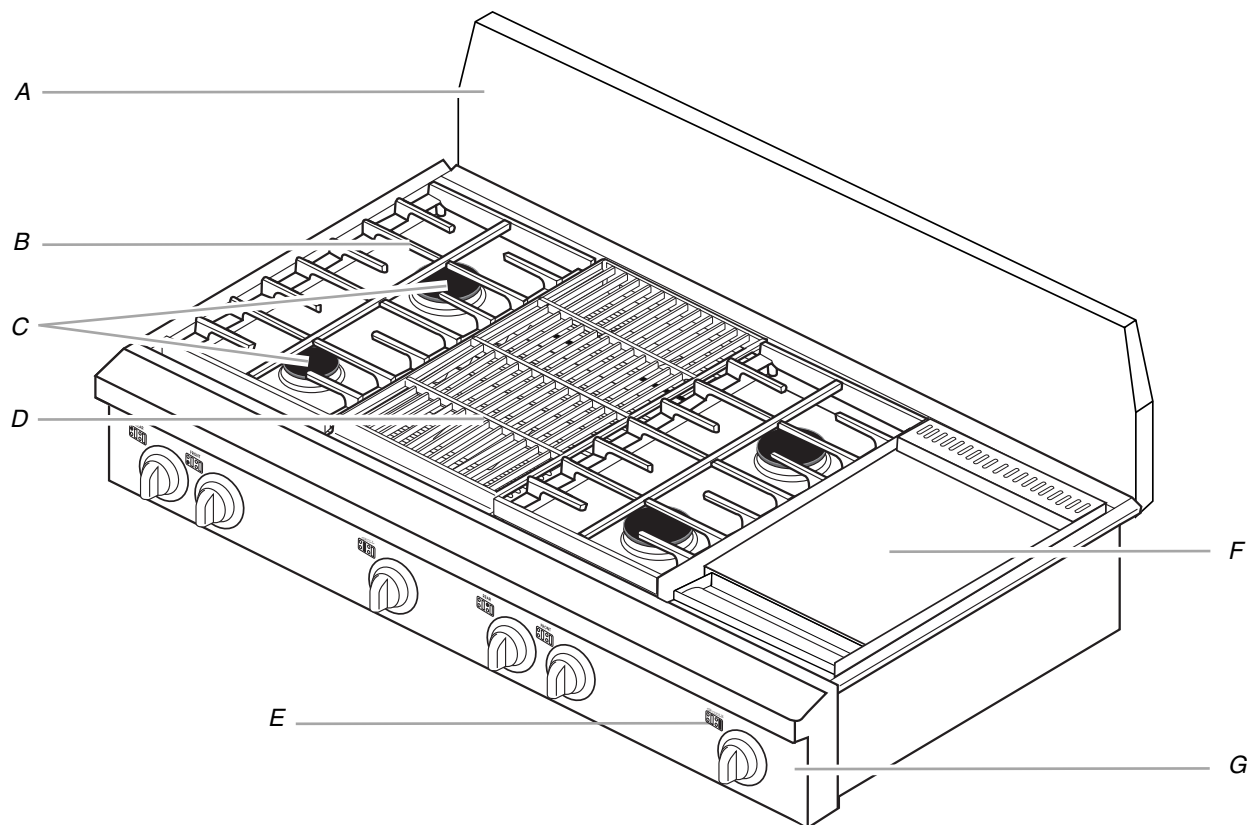
- **AVERTISSEMENT** : NE JAMAIS utiliser cet appareil comme dispositif de chauffage de la pièce. Le non-respect de cette instruction peut entraîner une intoxication au monoxyde de carbone et une surchauffe de la table de cuisson.
- **MISE EN GARDE** – Ne pas remiser dans des armoires au-dessus de la table de cuisson, des objets que des enfants pourraient vouloir atteindre. Les enfants pourraient se blesser gravement en grimpant sur la table de cuisson.
- Installation appropriée – La table de cuisson lorsqu'elle est correctement installée doit être reliée à la terre conformément aux codes locaux ou, en l'absence de codes locaux, selon le *Code national électrique, ANSI/NFPA70* ou le *Code canadien des installations électriques, Partie 1*. S'assurer que la table de cuisson est correctement installée et reliée à la terre par un technicien qualifié.
- La table de cuisson est munie d'une fiche de liaison à la terre à trois broches pour votre protection contre les risques de choc électrique et doit être branchée directement dans une prise de courant bien reliée à la terre. Ne pas couper ni enlever la broche de liaison à la terre de cette fiche.
- Débrancher l'alimentation électrique avant d'exécuter des réparations à la table de cuisson.
- Des blessures peuvent survenir du mauvais usage de la table de cuisson tel que se tenir debout sur la surface, se pencher ou s'asseoir sur le dessus de la surface.
- Entretien – Garder l'espace autour de la table de cuisson dégagé et exempt de matériaux combustibles, d'essence et d'autres vapeurs et liquides inflammables.
- Remisage sur la table de cuisson – Des produits inflammables ne doivent pas être remisés sur ou près des éléments de surface.
- La taille de la flamme des brûleurs de surface devrait être ajustée de sorte qu'elle ne dépasse pas le bord d'un ustensile de cuisson.

## CONSERVEZ CES INSTRUCTIONS

# PIÈCES ET CARACTÉRISTIQUES

Ce manuel couvre plusieurs modèles différents. La table de cuisson que vous avez achetée peut comporter tous les articles énumérés ou seulement certains d'entre eux. L'emplacement et l'apparence des caractéristiques illustrées ci-dessous peuvent ne pas correspondre à ceux de votre modèle.

## Table de cuisson de 48" (121,9 cm)



A. Dossieret en acier inoxydable  
(garniture en îlot non illustrée)

B. Grille du brûleur de surface

C. Brûleur de surface

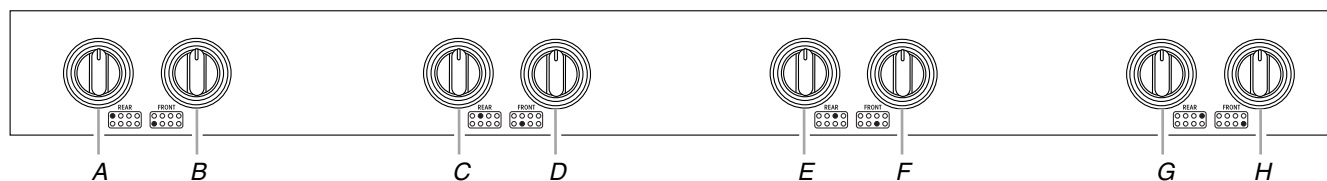
D. Gril (sur certains modèles)

E. Indicateur de brûleur de surface

F. Plaque à frire (sur certains modèles)

G. Tableau de commande

## Tableaux de commande de 48" (121,9 cm)



A. Bouton de commande arrière gauche  
(15 000 BTU/h)

B. Bouton de commande avant gauche  
(6 000 BTU/h)

C. Bouton de commande arrière gauche  
central (15 000 BTU/h)

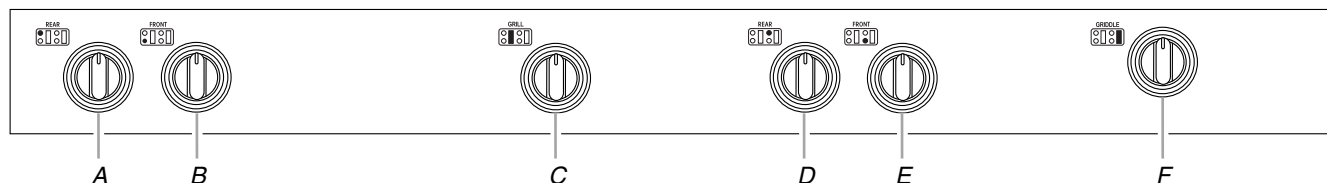
D. Bouton de commande avant gauche central  
(15 000 BTU/h)

E. Bouton de commande arrière droit central  
(15 000 BTU/h)

F. Bouton de commande avant droit central  
(15 000 BTU/h)

G. Bouton de commande arrière droit  
(15 000 BTU/h)

H. Bouton de commande avant droit  
(6 000 BTU/h)



A. Bouton de commande arrière gauche  
(15 000 BTU/h)

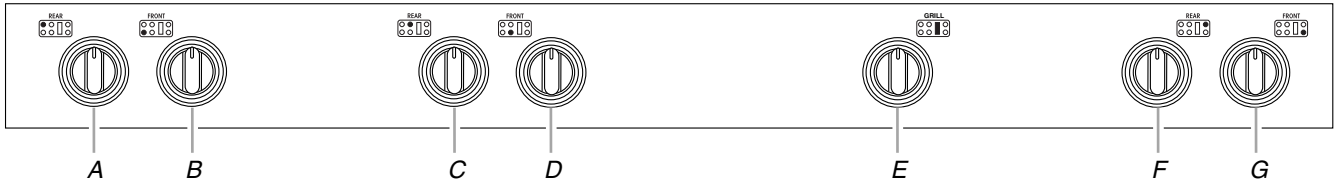
B. Bouton de commande avant gauche  
(6 000 BTU/h)

C. Bouton de commande du gril  
(18 000 BTU/h)

D. Bouton de commande arrière droit central  
(15 000 BTU/h)

E. Bouton de commande avant droit central  
(15 000 BTU/h)

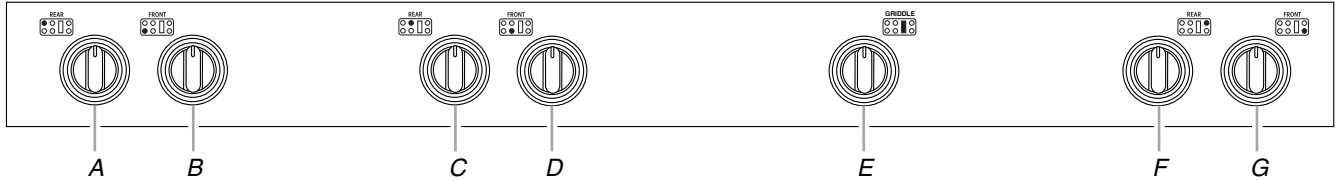
F. Bouton de commande de la plaque à frire  
(15 000 BTU/h)



- A. Bouton de commande arrière gauche (15 000 BTU/h)
- B. Bouton de commande avant gauche (6 000 BTU/h)

- C. Bouton de commande arrière gauche central (15 000 BTU/h)
- D. Bouton de commande avant gauche central (15 000 BTU/h)
- E. Bouton de commande du gril (18 000 BTU/h)

- F. Bouton de commande arrière droit (15 000 BTU/h)
- G. Bouton de commande avant droit (6 000 BTU/h)

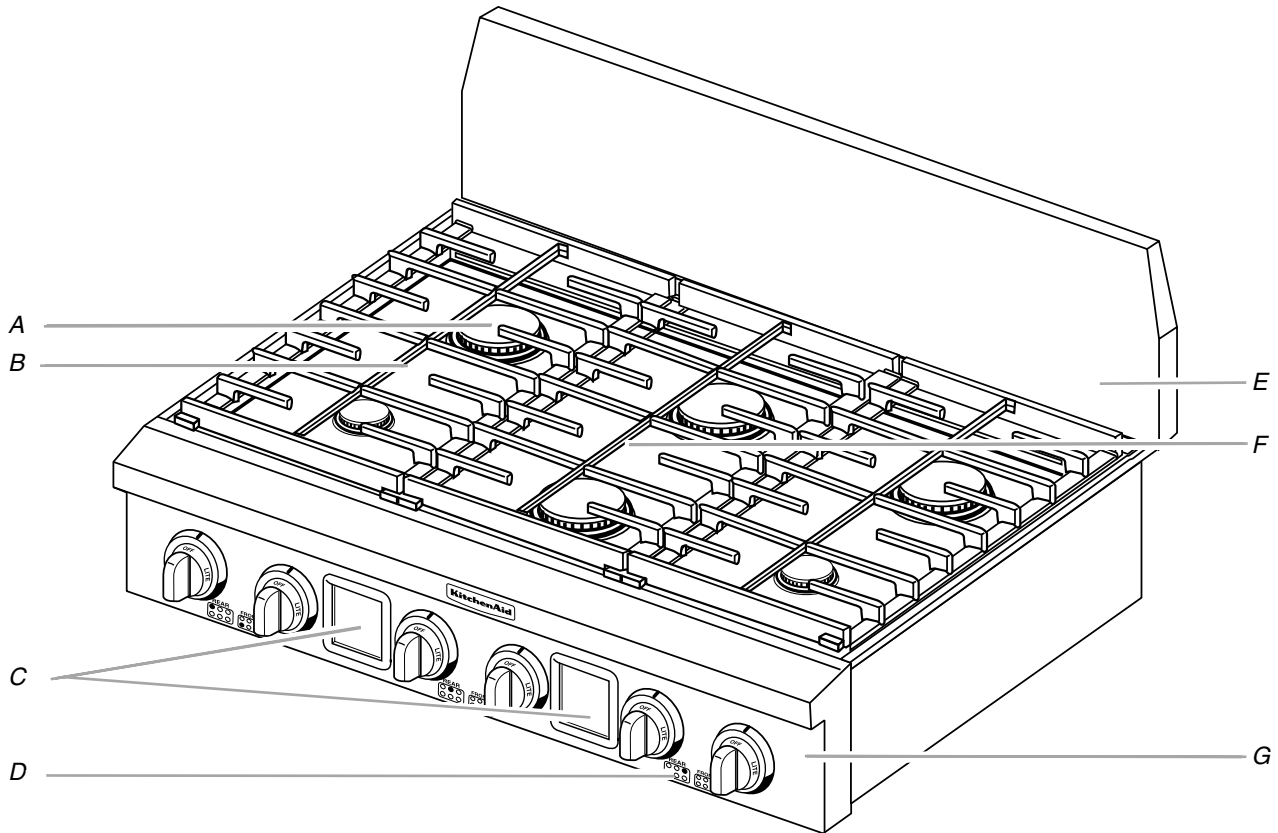


- A. Bouton de commande arrière gauche (15 000 BTU/h)
- B. Bouton de commande avant gauche (6 000 BTU/h)

- C. Bouton de commande arrière gauche central (15 000 BTU/h)
- D. Bouton de commande avant gauche central (15 000 BTU/h)
- E. Bouton de commande de la plaque à frire (15 000 BTU/h)

- F. Bouton de commande arrière droit (15 000 BTU/h)
- G. Bouton de commande avant droit (6 000 BTU/h)

**Table de cuisson de 36" (91,4 cm)**

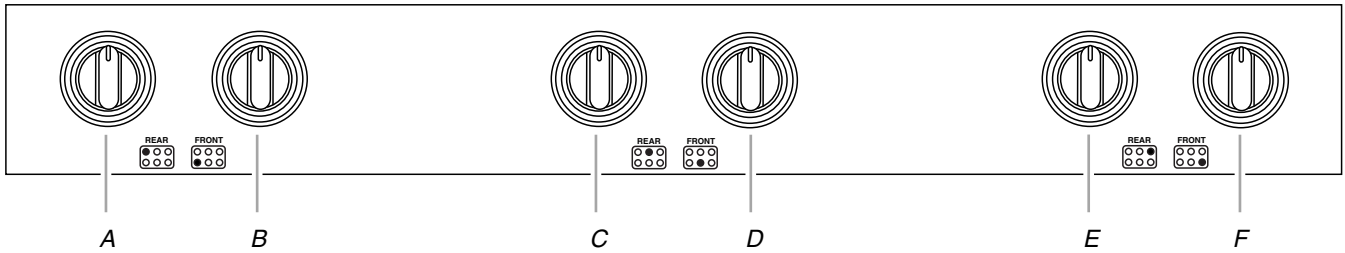


- A. Brûleur de surface
- B. Grille du brûleur de surface
- C. Encadrement à carreaux (sur certains modèles)

- D. Indicateur de brûleur de surface
- E. Dosseret en acier inoxydable (garniture en îlot non illustrée)

- F. Gril ou plaque à frire (sur certains modèles)
- G. Tableau de commande

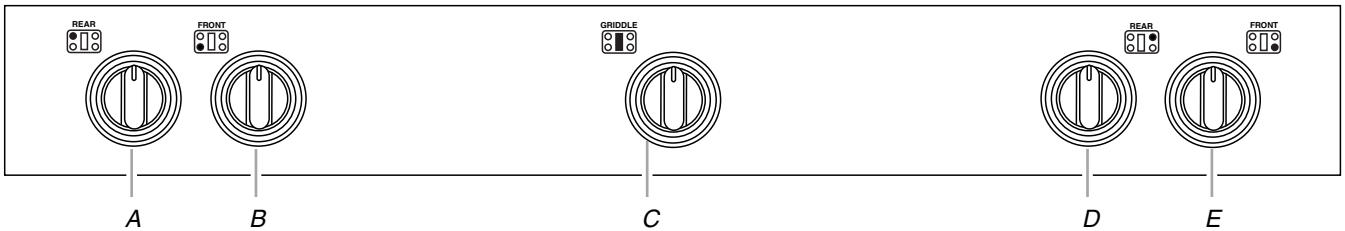
**Tableaux de commande de 36" (91,4 cm)**



- A. Bouton de commande arrière gauche (15 000 BTU/h)
- B. Bouton de commande avant gauche (6 000 BTU/h)

- C. Bouton de commande arrière central (15 000 BTU/h)
- D. Bouton de commande avant central (15 000 BTU/h)

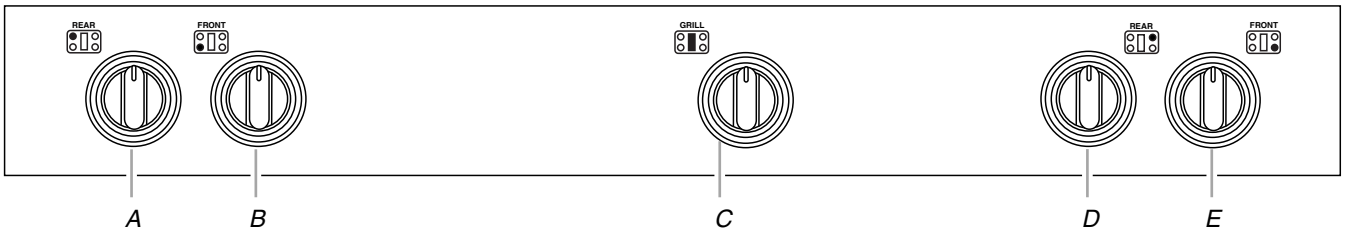
- E. Bouton de commande arrière droit (15 000 BTU/h)
- F. Bouton de commande avant droit (6 000 BTU/h)



- A. Bouton de commande arrière gauche (15 000 BTU/h)
- B. Bouton de commande avant gauche (6 000 BTU/h)

- C. Bouton de commande de la plaque à frire (15 000 BTU/h)

- D. Bouton de commande arrière droit (15 000 BTU/h)
- E. Bouton de commande avant droit (6 000 BTU/h)



- A. Bouton de commande arrière gauche (15 000 BTU/h)
- B. Bouton de commande avant gauche (6 000 BTU/h)

- C. Bouton de commande du gril (18 000 BTU/h)

- D. Bouton de commande arrière droit (15 000 BTU/h)
- E. Bouton de commande avant droit (6 000 BTU/h)

# UTILISATION DE LA TABLE DE CUISSON

## Commandes de la table de cuisson

### **AVERTISSEMENT**



#### Risque d'incendie

**La flamme d'un brûleur ne devrait pas dépasser le bord du récipient de cuisson.**

**Fermer tous les réglages lorsque la cuisson est terminée.**

**Le non-respect de ces instructions peut causer un décès ou un incendie.**

**IMPORTANT :** La table de cuisson est réglée à l'usine pour l'utilisation de gaz naturel. Pour utiliser du gaz propane, un équipement de conversion au gaz propane est compris avec la cuisinière. Voir les instructions comprises avec la trousse de conversion au gaz propane pour les détails concernant l'exécution de cette conversion.

Des allumeurs électriques allument automatiquement les brûleurs de surface lorsque les boutons de commande sont réglés à LITE (allumage).

Les grands brûleurs (18 000 et 15 000 BTU/h) [unités thermales britanniques] sont les plus chauds et permettent de cuire de grandes quantités d'aliments ou de liquides dans de grands chaudrons. Les petits brûleurs (6 000 BTU/h) permettent un mijotage plus précis à des températures plus basses pour de plus petites quantités d'aliments et de plus petits chaudrons.

Avant de régler un bouton de commande, placer l'ustensile de cuisson rempli sur la grille. Ne pas allumer un brûleur sous un ustensile vide ou sans ustensile sur la grille.

**REMARQUE :** Vérifier à la vue si le brûleur est allumé. Si le brûleur ne s'allume pas, écouter le son d'un déclic. Si vous n'entendez pas un déclic, éteindre le brûleur. Vérifier si le coupe-circuit est déclenché ou si un fusible est grillé.

Vérifier que le bouton de commande est complètement enfoncé sur la tige de la soupape. Si l'allumeur par étincelle ne fonctionne toujours pas, faire venir un technicien qualifié pour l'entretien.

Une liaison à la terre et une polarité appropriées sont nécessaires pour le bon fonctionnement du système d'allumage électrique. Si la prise de courant murale ne fournit pas la polarité correcte, l'allumeur deviendra relié à la terre et fera retentir un déclic de temps à autre, même après que le brûleur est allumé. Contacter un technicien qualifié pour l'entretien pour qu'il vérifie la prise de courant murale pour voir si elle est reliée par fil à la polarité correcte.

#### Réglage :

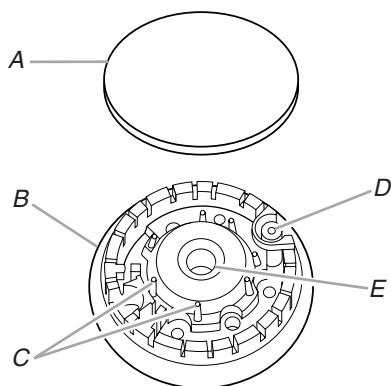
1. Pousser et tourner le bouton dans le sens antihoraire à LITE. Tous les brûleurs de surface émettront un déclic. Seul le brûleur dont le bouton est tourné à LITE produira une flamme.
2. Tourner le bouton n'importe où entre HI et LO. Utiliser le tableau suivant comme guide lors du réglage des niveaux de chaleur.

RÉGLAGE	UTILISATION RECOMMANDÉE
LITE	■ Pour allumer le brûleur.
HI	■ Pour commencer la cuisson des aliments. ■ Pour porter un liquide à ébullition.
MED à HI	■ Pour maintenir une ébullition rapide. ■ Pour brunir ou saisir rapidement les aliments.
MED	■ Pour frire ou sauter les aliments. ■ Pour maintenir une ébullition lente.
MED à LO	■ Pour cuire les soupes et les sauces. ■ Pour mijoter ou étuver les aliments.
LO	■ Pour garder les aliments chauds. ■ Pour mijoter lentement.

**N'oubliez pas :** Quand l'appareil est utilisé, toute la surface de la table de cuisson peut devenir chaude.

## Brûleurs de surface scellés

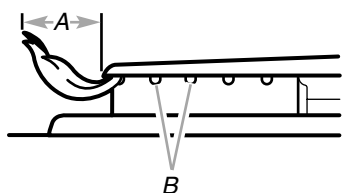
**IMPORTANT :** Ne pas entraver le débit de gaz de combustion et de l'air de ventilation autour des bords des grilles de brûleur.



A. Chapeau de brûleur  
B. Base du brûleur  
C. Tiges d'alignement  
D. Dispositif d'allumage  
E. Ouverture du tube d'arrivée de gaz

**Chapeau de brûleur :** Toujours garder le chapeau du brûleur en place lorsqu'un brûleur de surface est utilisé. Un chapeau de brûleur propre empêche un mauvais allumage et une flamme inégale. Toujours nettoyer le chapeau de brûleur après un renversement et enlever et nettoyer régulièrement les chapeaux conformément à la section "Nettoyage général".

**Ouverture du tube d'arrivée de gaz :** Pour que le brûleur s'allume convenablement, il faut que le gaz puisse passer librement à travers l'ouverture du tube d'arrivée de gaz. Il est essentiel de garder cette zone exempte de saletés et de veiller à ce que les renversements, aliments, agents de nettoyage ou autre matériau ne puissent pénétrer dans l'ouverture du tube d'arrivée de gaz. Le protéger contre les renversements en utilisant toujours un chapeau de brûleur.



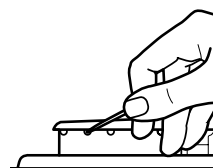
A. 1-1½" (25-38 mm)  
B. Orifices de brûleur

**Orifices de brûleur :** Examiner occasionnellement les flammes des brûleurs pour en vérifier la taille et la forme tel qu'indiqué ci-dessus. Une bonne flamme est bleue, non jaune. Il est essentiel de garder cette zone exempte de saletés et de veiller à ce que les renversements, aliments, agents de nettoyage ou autre matériau ne puissent pénétrer dans les orifices de brûleur.

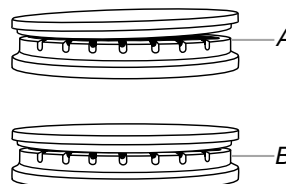
## Nettoyage :

**IMPORTANT :** Avant de faire le nettoyage, s'assurer que toutes les commandes sont éteintes et que le four et la table de cuisson sont refroidis. Ne pas utiliser de nettoyants à four, eau de Javel ou décapants de rouille.

1. Enlever le chapeau de brûleur de la base du brûleur et nettoyer conformément à la section "Nettoyage général".
2. Nettoyer l'ouverture du tube d'arrivée de gaz avec un linge humide.
3. Nettoyer les orifices de brûleur obstrués avec une épingle droite tel qu'indiqué. Ne pas agrandir ni déformer les orifices. Ne pas utiliser un cure-dent en bois. Si le brûleur a besoin d'être ajusté, faire venir un technicien d'entretien qualifié.



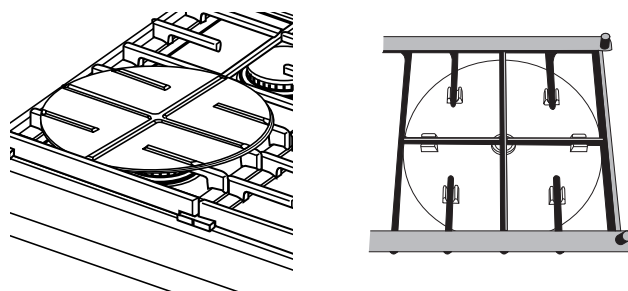
4. Réinstaller le chapeau de brûleur et s'assurer que les tiges d'alignement sont bien alignées avec le chapeau de brûleur.



A. Incorrect  
B. Correct

5. Allumer le brûleur. Si le brûleur ne s'allume pas, vérifier l'alignement du chapeau. Si le brûleur ne s'allume toujours pas, ne pas faire vous-même la réparation du brûleur scellé. Contacter un technicien d'entretien qualifié.

## Plaque de mijotage

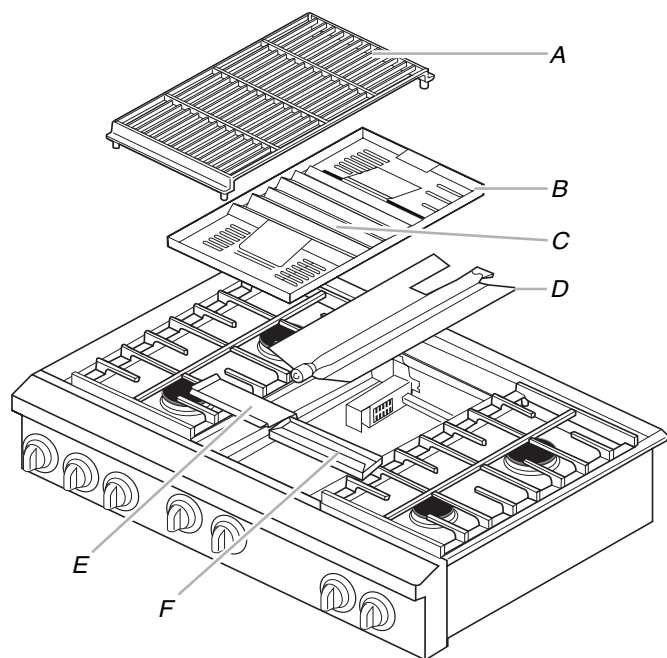


- La plaque de mijotage est fabriquée en aluminium avec un revêtement antiadhésif pour diffuser uniformément la chaleur sur le fond de l'ustensile de cuisson.
- Les rainures au fond de la plaque de mijotage ont été conçues de manière à convenir correctement et de façon sécuritaire sur la grille. Voir l'illustration ci-dessus.
- La plaque de mijotage peut être utilisée sur les brûleurs de surface grands et petits.
- Utiliser la plaque de mijotage avec les réglages de brûleur dans la gamme de moyen à bas sur la table de cuisson lorsque des températures moindres sont requises pour le mijotage ou pour maintenir les aliments à une température basse au cours d'une période prolongée.

Voir la section "Assistance ou service" pour commander d'autres plaques de mijotage.



## Gril (sur certains modèles)



A. Grille du gril  
B. Plateau nervuré  
C. Plaque nervurée

D. Ensemble de brûleur  
E. Protecteur anti-déversement  
F. Plateau ramasse-gouttes

Le module du gril consiste en une grille en fonte, un plateau nervuré, une plaque nervurée, un protecteur anti-déversement et un plateau ramasse-gouttes. Il est utilisé pour griller les aliments. Se référer au “Tableau de cuisson au gril” pour les durées et réglages de cuisson.

Lors de l'utilisation du gril, suivre les instructions ci-dessous :

- Ne pas laisser le gril sans surveillance pendant la cuisson.
- Ne pas utiliser de papier d'aluminium, de charbon de bois ou copeaux de bois.
- Couper l'excès de gras pour réduire les éclaboussures. Entailler le gras résiduel pour empêcher la viande de se cintrer.
- Laisser de l'espace entre les aliments sur le gril pour éviter une cuisson inégale.
- Utiliser une spatule en métal ou des pinces pour retourner la viande.
- Retourner la viande une fois. Les jus se perdent lorsque les biftecks, côtelettes ou hamburgers sont retournés plusieurs fois.
- Pour une cuisson régulière, les aliments tels que les quartiers de poulet devraient être retournés plusieurs fois.
- Pour vérifier le degré de cuisson de la viande et de la volaille, utiliser un thermomètre à lecture instantanée ou pratiquer une petite entaille au centre de la viande. Ceci empêchera la perte de jus.

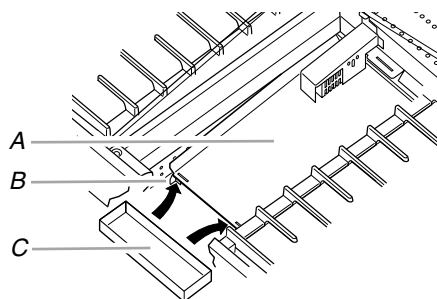
Avant d'enlever ou de réinstaller le gril, tourner les boutons de commande à OFF (arrêt) et laisser le gril refroidir complètement avant de le manipuler.

### Enlèvement :

1. Enlever la grille du gril.
2. Enlever le plateau nervuré et la plaque nervurée.
3. Enlever l'ensemble du brûleur.
4. Enlever le protecteur anti-déversement.
5. Enlever le plateau ramasse-gouttes.
6. Nettoyer le bassin. Voir la section “Nettoyage général”.

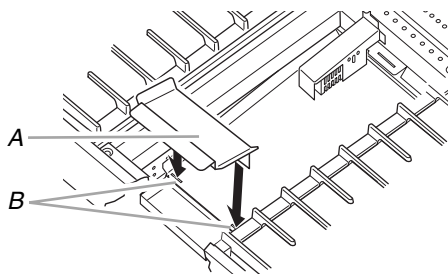
### Réinstallation :

1. Soulever l'ensemble du brûleur hors du bassin et le mettre de côté.
2. Placer le plateau ramasse-gouttes au fond du bassin du gril et glisser le plateau vers l'avant de telle sorte qu'il se trouve en position transversale contre les pieds repère du protecteur anti-déversement arrière.



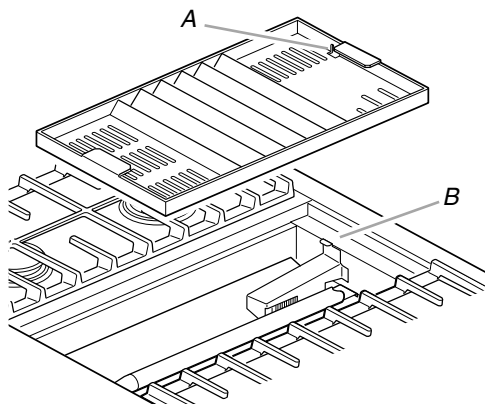
A. Protecteur anti-déversement arrière  
B. Pieds repère  
C. Plateau ramasse-gouttes

- Insérer les pieds du protecteur anti-déversement avant dans les fentes du protecteur anti-déversement arrière. Le rebord arrière reposera sur le coffret des brûleurs.



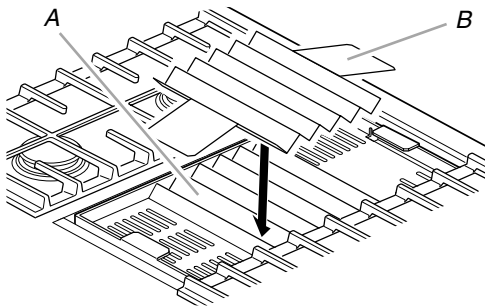
A. Protecteur anti-déversement avant  
B. Pieds et fentes

- Placer l'ensemble du brûleur sur le protecteur anti-déversement et s'assurer que le rebord arrière des brûleurs repose dans la fente.
- Installer le plateau nervuré dans le grill. L'onglet dans le coin arrière gauche de la cavité doit passer à travers la fente dans le coin arrière gauche du plateau nervuré.



A. Fente pour l'onglet repère  
B. Onglet repère

- Placer la plaque nervurée sur le plateau nervuré. La plaque nervurée doit se trouver au centre du plateau nervuré.



A. Plateau nervuré  
B. Plaque nervurée

- Réinstaller la grille du grill.

### Utilisation :

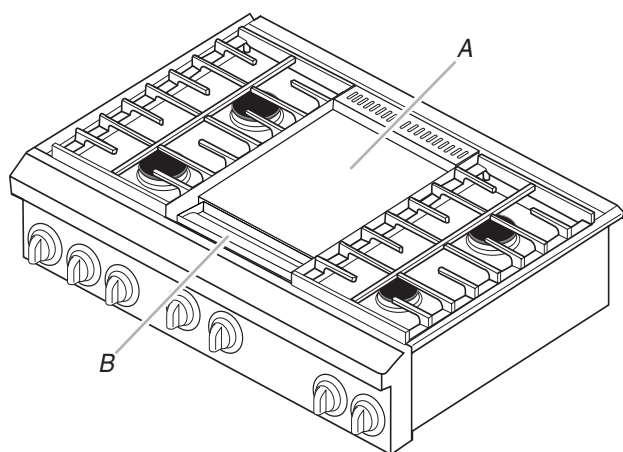
- Mettre la hotte d'évacuation au-dessus de la cuisinière en marche.
- Si désiré, appliquer une mince couche d'huile végétale ou d'aérosol de cuisine antiadhésif sur la grille du grill.
- Pousser et tourner le bouton à LITE/HI. La flamme apparaîtra en 30 à 40 secondes. Préchauffer pendant 10 minutes.
- Tourner le bouton au réglage de cuisson désiré. Mettre l'aliment sur le grill.

### TABLEAU DE CUISSON AU GRIL

Les réglages et durées sont seulement des recommandations et peuvent être ajustés selon les goûts individuels.

ALIMENTS	RÉGLAGE	DURÉE DE CUISSON EN MINUTES
<b>Bifteck</b>		
1" (2,5 cm)	MED-HI	16-20
à point	MED-HI	20-30
bien cuit		
<b>Galettes de viande hachée</b>		
½-¾" (1,3 à 1,9 cm)	MED	20-25
<b>Côtelettes de porc</b>		
1" (2,5 cm)	MED	35-55
<b>Tranches de jambon</b>		
½" (1,3 cm)	MED-HI	8-12
<b>Saucisses de Francfort et saucisses fumées précuites</b>		
	MED	8-15
<b>Poulet</b>		
Quartiers	MED-LO	50-80
Poitrines désossées	MED	20-40
<b>Darnes de poisson</b>		
¾-1" (1,9 à 2,5 cm) d'épaisseur	MED	10-15

## Plaque à frire (sur certains modèles)



A. Plaque à frire  
B. Plateau ramasse-gouttes

La plaque à frire, fabriquée à partir d'acier brossé et laminé à froid, est semblable à celles utilisées dans les cuisines commerciales. Cette plaque à frire est emballée et protégée par un revêtement gras recouvert de papier; il est nécessaire de retirer complètement cette protection à l'eau chaude savonneuse. Rincer, sécher et conditionner la plaque à frire immédiatement après avoir retiré le revêtement de protection sinon la plaque risque de rouiller. Voir la section "Nettoyage général" pour plus de renseignements.

- Il est normal que la plaque à frire ternisse à l'usage.
- Ne pas placer de casseroles ou récipients sur la plaque à frire conditionnée pour garder les aliments au chaud.
- La plaque à frire doit être à plat pour fonctionner correctement.
- Ne pas verser d'eau froide sur une plaque à frire chaude. Ceci risque de déformer la plaque à frire et de produire une surface de cuisson irrégulière.

### Pour conditionner ou reconditionner la plaque à frire :

Il est important de conditionner la plaque à frire car cela empêche les aliments d'attacher au cours de la cuisson et prévient la rouille.

1. Verser 1 cuiller à thé (5 mL) d'huile végétale au centre de la plaque à frire et répartir uniformément sur toute la surface avec un essuie-tout. Ne pas utiliser d'huile de maïs ou d'olive.
2. Pousser et tourner le bouton à 350°F (177°C). Lorsque de la fumée se dégage, tourner le bouton de commande à la position OFF (arrêt) et laisser la plaque refroidir. Essuyer tout excès d'huile avec un essuie-tout.
3. Appliquer une fine couche d'huile végétale sur toute la surface de la plaque à frire. La plaque à frire est maintenant prête à l'utilisation.
4. Après chaque utilisation, conditionner à nouveau la plaque en suivant les étapes 1 à 3.
5. Après un conditionnement adéquat, la plaque à frire peut être utilisée sans ajout d'huile végétale.

### Utilisation de la plaque à frire :

1. Positionner le plateau ramasse-gouttes sous le bord avant de la plaque pour récupérer la graisse et les résidus alimentaires.
2. Pousser et tourner le bouton de commande à la température désirée.
3. Laisser la plaque préchauffer pendant 10 à 15 minutes pour atteindre la température sélectionnée.
4. Placer l'aliment sur la plaque et cuire au degré de cuisson désiré.

### Après chaque utilisation :

1. Éteindre la plaque et la laisser refroidir. Rincer la plaque avec ½ tasse (125 mL) d'eau chaude savonneuse.
2. Gratter les résidus sur la plaque dans le plateau ramasse-gouttes.
3. Ôter et nettoyer le plateau d'égouttement et la zone située en dessous. En inclinant le plateau d'égouttement, veiller à ce que le contenu ne se renverse pas.
4. Rincer la plaque avec ½ tasse (125 mL) d'eau chaude. Sécher la plaque et le plateau d'égouttement avec un essuie-tout pour enlever l'excès de graisse et d'huile.

### TABLEAU DE CUISSON POUR LA PLAQUE À FRIRE

Les réglages et durées de cuisson sont cités à titre indicatif seulement et peuvent être modifiés en fonction des goûts personnels.

ALIMENT	RÉGLAGE	DURÉE DE CUISSON TOTAL MINUTES
Galettes et chapelets de saucisses	325°F (163°C)	12-18
Tranches de bacon	350°F (177°C)	7-11
Tranches de jambon (entièrement cuit)	325°F (163°C)	5-7
Galettes de viande hachée	350°F (177°C)	10-15
Saucisses de Francfort et saucisses précuites	325°F (163°C)	8-15
Darnes et filets de poisson	325°F (163°C)	8-15
Oeufs	300°F (149°C)	3-5
Pommes de terre rissolées	400°F à 425°F (204°C à 218°C)	8-12
Pain doré	350°F (177°C)	5-7
Crêpes	350°F (177°C)	2-4
Sandwiches grillés	325°F (163°C)	3-5

---

## Préparation de conserves à la maison

Lors de la préparation de conserves pendant de longues périodes, alterner l'utilisation des brûleurs de surface entre les quantités préparées. Cette alternance permet aux dernières surfaces utilisées de refroidir.

- Centrer l'autoclave sur la grille.
  - Ne pas placer l'autoclave sur deux brûleurs de surface à la fois.
  - Pour plus de renseignements, communiquez avec votre service local d'agriculture. Les compagnies qui fabriquent des produits pour la préparation de conserves peuvent aussi offrir de l'aide.
- 

## Ustensiles de cuisson

**IMPORTANT :** Ne pas laisser un ustensile de cuisson vide sur la surface d'une table de cuisson, d'un élément ou d'un brûleur de surface chauds.

Les ustensiles de cuisson idéals doivent avoir un fond plat, des parois droites, un couvercle qui ferme bien et le matériau doit être d'épaisseur moyenne à forte.

Les surfaces rudes peuvent égratigner la table de cuisson ou les grilles. L'aluminium et le cuivre peuvent être employés comme fond ou base dans un ustensile de cuisson. Cependant, utilisés comme base, ils peuvent laisser des marques permanentes sur la table de cuisson ou les grilles.

Le matériau d'un ustensile de cuisson affecte la rapidité et l'uniformité de la transmission de la chaleur, et contribue aux résultats de cuisson. Un fini antiadhésif a les mêmes caractéristiques que son matériau de base. Par exemple, un ustensile de cuisson en aluminium avec un fini antiadhésif aura les propriétés de l'aluminium.

Les ustensiles de cuisson avec surface antiadhésive ne doivent pas être utilisés sous le gril.

Utiliser le tableau suivant comme guide pour les caractéristiques du matériau de l'ustensile de cuisson.

---

USTENSILE	CARACTÉRISTIQUES
<b>Aluminium</b>	<ul style="list-style-type: none"><li>■ Chauffe rapidement et uniformément.</li><li>■ Convient à tous les genres de cuisson.</li><li>■ L'épaisseur moyenne ou forte convient le mieux pour la plupart des tâches de cuisson.</li></ul>
<b>Fonte</b>	<ul style="list-style-type: none"><li>■ Chauffe lentement et uniformément.</li><li>■ Convient pour le brunissage et la friture.</li><li>■ Maintient la chaleur pour une cuisson lente.</li></ul>
<b>Céramique ou vitrocéramique</b>	<ul style="list-style-type: none"><li>■ Suivre les instructions du fabricant.</li><li>■ Chauffe lentement mais inégalement.</li><li>■ Les meilleurs résultats sont obtenus sur les réglages de chaleur basse à moyenne.</li></ul>
<b>Cuivre</b>	<ul style="list-style-type: none"><li>■ Chauffe très rapidement et de façon uniforme.</li></ul>
<b>Terre cuite</b>	<ul style="list-style-type: none"><li>■ Suivre les instructions du fabricant.</li><li>■ Utiliser des réglages de température basse.</li></ul>
<b>Acier émaillé en porcelaine ou fonte émaillée</b>	<ul style="list-style-type: none"><li>■ Voir acier inoxydable ou fonte.</li></ul>
<b>Acier inoxydable</b>	<ul style="list-style-type: none"><li>■ Chauffe rapidement, mais inégalement.</li><li>■ Un fond ou une base d'aluminium ou de cuivre sur l'acier inoxydable procure un chauffage uniforme.</li></ul>

---

---

# ENTRETIEN DE LA TABLE DE CUISSON

---

## Nettoyage général

**IMPORTANT :** Avant le nettoyage, s'assurer que toutes les commandes sont désactivées et que la table de cuisson est refroidie. Toujours suivre les instructions sur les étiquettes des produits nettoyants.

Du savon, de l'eau et un chiffon doux ou une éponge sont recommandés à moins d'indication contraire.

---

### SURFACES EXTERNES EN ÉMAIL VITRIFIÉ

---

Les renversements d'aliments contenant des acides, tels que vinaigre et tomates, devraient être nettoyés dès que toute la surface est refroidie. Ces renversements peuvent affecter le fini.

#### Méthode de nettoyage :

- Nettoyant à vitre, nettoyant doux liquide ou tampon à récurer non abrasif :

Nettoyer doucement autour de la plaque signalétique des numéros de modèle et de série car le frottage pourrait en effacer les chiffres.

---

### ACIER INOXYDABLE

---

Ne pas utiliser de tampons de récurage savonneux, nettoyants abrasifs, crème à polir pour table de cuisson, tampons en laine d'acier, chiffons de lavage rudes ou certains essuie-tout. Des dommages peuvent survenir.

Frotter dans la direction du grain pour éviter les dommages.

#### Méthode de nettoyage :

- Nettoyant et poli pour acier inoxydable KitchenAid® :  
Voir la section "Assistance ou Service" pour passer une commande.
- Détergent liquide ou nettoyant tout-usage :  
Rincer à l'eau propre et sécher avec un chiffon doux sans charpie.
- Vinaigre pour les taches d'eau dure

---

### GRILLES ET CHAPEAUX ÉMAILLÉS

---

Les renversements d'aliments contenant des acides, tels que vinaigre et tomates, devraient être nettoyés dès que la table de cuisson, les grilles et les chapeaux sont refroidis. Ces renversements peuvent affecter le fini.

Pour éviter l'écaillage, ne pas entrechoquer les grilles et les chapeaux ni les frapper contre des surfaces dures telles que les ustensiles en fonte.

Ne pas réinstaller les chapeaux sur les brûleurs quand ils sont mouillés.

Ne pas les nettoyer au moyen du programme d'autonettoyage.

Ne pas les nettoyer dans le lave-vaisselle.

#### Méthode de nettoyage :

- Tampon non abrasif et nettoyant liquide doux légèrement abrasif :  
Nettoyer dès que la table de cuisson, les grilles et les chapeaux sont refroidis.

---

### BRÛLEURS DE SURFACE

---

#### Modèles à brûleurs scellés

Voir la section "Brûleurs de surface scellés".

---

### BOUTONS DE COMMANDE

---

Ne pas utiliser de la laine d'acier, des produits de nettoyage abrasifs ou un nettoyant à four.

Ne pas les immerger.

Lors de la réinstallation des boutons, s'assurer que chaque bouton est à la position OFF (arrêt).

Sur certains modèles, ne pas enlever les joints sous les boutons.

**REMARQUE :** Lors de la réinstallation des boutons de commande des brûleurs de surface ou du gril, s'assurer que les boutons sont réinstallés au bon endroit. Par exemple, les boutons pour les brûleurs de surface portent la mention "LITE" et le bouton du gril la mention "LITE/HI".

#### Méthode de nettoyage :

- Savon et eau ou lave-vaisselle :  
Tirer les boutons directement hors du tableau de commande pour les enlever.

---

### TABLEAU DE COMMANDE

---

Ne pas utiliser des nettoyants abrasifs, tampons en laine d'acier, chiffons de lavage rudes ou certains essuie-tout. Des dommages peuvent survenir.

#### Méthode de nettoyage :

- Savon et eau.  
Laver, rincer et sécher avec un chiffon doux.
- Nettoyant à vitre et chiffon doux ou éponge :  
Appliquer le nettoyant à vitre sur un chiffon doux ou une éponge, et non pas directement sur le tableau.

---

### PLAQUE DE MIJOTAGE

---

Ne pas la nettoyer dans le lave-vaisselle.

#### Méthode de nettoyage :

- Détergent liquide et eau.  
Essuyer avec un chiffon ou une éponge humide, puis rincer à l'eau propre et sécher avec un chiffon.
- Produit nettoyant légèrement abrasif :  
Frotter dans le sens du grain avec un chiffon ou une éponge humide. Rincer à fond. Répéter au besoin.

---

### MODULE DE GRIL

---

Pour plus de renseignements, voir la section "Gril."

Ne pas utiliser de nettoyants à four, brosses métalliques, tampons à récurer abrasifs ou autres accessoires de récurage destinés au nettoyage de grils de barbecue.

## Grille du grill

Ne pas nettoyer la grille du grill dans le lave-vaisselle.

Ne pas la nettoyer dans un four autonettoyant.

- Nettoyer la grille du grill peu de temps après la cuisson et après avoir éteint le brûleur.
- Nettoyer la grille du grill lorsqu'elle est encore tiède avec une brosse à soies douces pour barbecue. Vous pouvez porter des mitaines de four pour ce nettoyage.
- Pour un nettoyage à fond de la grille du grill, la tremper dans de l'eau tiède savonneuse pendant 30 minutes. Après le trempage, frotter avec un tampon non abrasif.

## Plateau nervuré et plaque nervurée

- Tremper dans de l'eau tiède savonneuse pour dégager la saleté. Après le trempage, frotter avec un tampon non abrasif.
- Nettoyer à four

## Ensemble de brûleur

Ne pas tremper dans l'eau.

- Savon et eau ou nettoyeur non abrasif.
- Chiffon humide ou tampon non abrasif.

## Protecteur anti-déversement avant et plateau ramasse-gouttes

Laisser la table de cuisson refroidir complètement avant le nettoyage.

- Savon et eau ou nettoyeur non abrasif.
- Chiffon humide ou tampon non abrasif.

## Bassin du module

- Eau tiède savonneuse.

- Tampon non abrasif ou éponge.
- Pour des saletés intenses, tremper des essuie-tout dans un nettoyant ménager et les étendre sur les saletés pendant au moins une demi-heure ou plus. Après le trempage, frotter avec un tampon non abrasif.

---

## MODULE DE LA PLAQUE À FRIRE

---

Nettoyer la plaque à frire peu de temps après avoir ôté les aliments et éteint le brûleur.

### Méthode de nettoyage :

- Pour nettoyer la surface, utiliser une pierre ponce ou un tamis de nettoyage. Pour éviter d'endommager la surface, toujours frotter dans la direction des lignes de polissage. La pierre ponce ou le tamis de nettoyage peuvent être achetés dans un magasin de fournitures pour restaurants ou un magasin d'articles de cuisine.
- Eau chaude savonneuse et/ou tampon à récurer doux en plastique.
- Après le nettoyage, sécher la surface avec un essuie-tout. Pour protéger le fini et prévenir la rouille, enduire toute la surface d'une légère couche d'huile végétale.

### Plateau ramasse-gouttes et zone sous-jacente

Laisser la table de cuisson refroidir complètement avant le nettoyage.

### Méthode de nettoyage :

- Savon et eau ou nettoyeur non abrasif.
- Chiffon humide ou tampon non abrasif.
- Sécher complètement avant de placer le plateau ramasse-gouttes en position.

---

# DÉPANNAGE

Essayer les solutions suggérées ici d'abord afin d'éviter le coût d'une visite de service non nécessaire.

---

## Rien ne fonctionne

---

- **Un fusible est-il grillé ou le disjoncteur s'est-il déclenché?**  
Remplacer le fusible ou réenclencher le disjoncteur. Si le problème persiste, appeler un électricien.

---

## Les brûleurs de surface ne fonctionnent pas

---

- **Est-ce la première fois que les brûleurs de surface sont utilisés?**  
Allumer n'importe quel brûleur de surface pour libérer l'air des canalisations de gaz.
- **Le bouton de commande est-il réglé correctement?**  
Pousser sur le bouton avant de le tourner à un réglage.
- **Les orifices des brûleurs sont-ils obstrués?**  
Sur les modèles à brûleurs scellés, voir la section "Brûleurs de surface scellés".

---

## Les flammes des brûleurs de surface ne sont pas uniformes, sont de teinte jaune et/ou bruyantes

---

- **Les orifices des brûleurs sont-ils obstrués?**  
Sur les modèles à brûleurs scellés, voir la section "Brûleurs de surface scellés".

- **Sur les modèles à chapeau, les chapeaux des brûleurs sont-ils bien installés?**  
Voir la section "Brûleurs de surface scellés".
- **Le brûleur est-il endommagé?**  
Sur les modèles à chapeaux, vérifier si le chapeau est déformé. Si le chapeau ne tourne pas librement sur une surface plate, côté peint vers le bas, le chapeau est gauchi. Permuter le chapeau avec un brûleur de surface différent pour vérifier s'il y a un autre gauchissement. Contacter un technicien de réparation qualifié.
- **Utilise-t-on du gaz propane?**  
L'appareil a peut-être été converti incorrectement. Contacter un technicien de réparation qualifié.

---

## Le brûleur de surface fait de petits bruits

---

- **Le brûleur est-il mouillé?**  
Le laisser sécher.

---

## Le brûleur émet des étincelles, mais ne s'allume pas.

---

- **Y a-t-il une production continue d'étincelles sans que le brûleur ne s'allume?**  
Discontinuer l'utilisation du brûleur de surface et contacter un technicien de service.

---

### Chaleur excessive autour des ustensiles de cuisson sur la table de cuisson

---

- **L'ustensile de cuisson est-il de dimension appropriée?**  
Utiliser un ustensile de cuisson à peu près de la même dimension que le brûleur, l'élément, ou la surface de cuisson. L'ustensile de cuisson ne doit pas dépasser plus de ½" (21,3 cm) hors de la surface de cuisson.

---

### Les résultats de cuisson sur la table de cuisson ne sont pas les résultats prévus

---

- **Utilise-t-on un ustensile de cuisson approprié?**  
Voir la section "Ustensiles de cuisson".

- **Le bouton de commande est-il réglé au niveau approprié de chaleur?**  
Voir la section "Commandes de la table de cuisson".
- **L'appareil est-il d'aplomb?**  
Niveler l'appareil. Voir les instructions d'installation.

---

### Les résultats de cuisson avec le gril ou la plaque à frire ne sont pas ce qui était prévu.

---

- **Le gril ou la plaque à frire a-t-il(elle) été préchauffé(e)?**  
Préchauffer le gril ou la plaque à frire. Voir les sections "Gril" ou "Plaque à frire" pour plus de renseignements.
- **Existe-t-il une circulation d'air appropriée autour des aliments?**

---

## ASSISTANCE OU SERVICE

Avant de faire un appel pour assistance ou service, consulter la section "Dépannage". Ce guide peut vous faire économiser le coût d'une visite de service. Si vous avez encore besoin d'aide, suivre les instructions ci-dessous.

Lors d'un appel, veuillez connaître la date d'achat, le numéro de modèle et le numéro de série au complet de l'appareil. Ces renseignements nous aideront à mieux répondre à votre demande.

### Si vous avez besoin de pièces de rechange

Si vous avez besoin de commander des pièces de rechange, nous vous recommandons d'employer uniquement des pièces spécifiées par l'usine. Les pièces spécifiées par l'usine fonctionneront bien parce qu'elles sont fabriquées avec la même précision que celles utilisées dans la fabrication de chaque nouvel appareil KITCHENAID®.

Pour localiser des pièces spécifiées par l'usine dans votre région, appeler le Centre pour l'eXpérience de la clientèle ou le centre de service désigné le plus proche.

Veuillez appeler sans frais le Centre d'interaction avec la clientèle de KitchenAid Canada au : **1-800-807-6777**.

### Nos consultants vous renseigneront sur les sujets suivants :

- Caractéristiques et spécifications sur toute notre gamme d'appareils électroménagers.
- Consignes d'utilisation et d'entretien.
- Ventes d'accessoires et pièces de rechange.
- Références aux marchands locaux, aux distributeurs de pièces de rechange et aux compagnies de service. Les techniciens de service désignés par KitchenAid Canada sont formés pour remplir la garantie des produits et fournir un service après la garantie, partout au Canada.

### Pour plus d'assistance

Si vous avez besoin de plus d'assistance, vous pouvez soumettre par écrit toute question ou préoccupation à KitchenAid Canada à l'adresse suivante :

Centre d'interaction avec la clientèle  
KitchenAid Canada  
1901 Minnesota Court  
Mississauga, Ontario L5N 3A7

Veuillez inclure dans votre correspondance un numéro de téléphone où l'on peut vous joindre dans la journée.

---

## GARANTIE DE LA TABLE DE CUISSON KITCHENAID®

---

### GARANTIE LIMITÉE

Pendant un an à compter de la date d'achat, lorsque ce gros appareil ménager est utilisé et entretenu conformément aux instructions jointes à ou fournies avec le produit, la marque KitchenAid de Whirlpool Corporation ou Whirlpool Canada LP (ci-après désignées "KitchenAid") paiera pour les pièces spécifiées par l'usine et la main-d'œuvre pour corriger les vices de matériaux ou de fabrication. Le service doit être fourni par une compagnie de service désignée par KitchenAid. Cette garantie limitée est valide uniquement aux États-Unis ou au Canada et s'applique exclusivement lorsque l'appareil est utilisé dans le pays où il a été acheté. À l'extérieur du Canada et des 50 États des États-Unis, cette garantie limitée ne s'applique pas. Une preuve de la date d'achat original est exigée pour obtenir un service dans le cadre de la présente garantie limitée.

---

### GARANTIE LIMITÉE DE LA DEUXIÈME À LA CINQUIÈME ANNÉE INCLUSIVEMENT SUR CERTAINS COMPOSANTS

De la deuxième à la cinquième année inclusivement à compter de la date d'achat, lorsque cet appareil ménager est utilisé et entretenu conformément aux instructions jointes à ou fournies avec le produit, KitchenAid ou KitchenAid Canada paiera pour les pièces spécifiées par l'usine pour les composants suivants, en cas de vices de matériaux ou de fabrication :

- Éléments électriques
- Brûleurs à gaz
- Pièces du système de commande à semi-conducteurs
- Toute fissuration du joint d'étanchéité en caoutchouc entre la table de cuisson en vitrocéramique et le bord en porcelaine
- Toute fissuration de la table de cuisson en vitrocéramique due à un choc thermique
- Éléments de l'unité de surface

---

## ARTICLES EXCLUS DE LA GARANTIE

### La présente garantie limitée ne couvre pas :

1. Les visites de service pour rectifier l'installation du gros appareil ménager, montrer à l'utilisateur comment utiliser l'appareil, remplacer ou réparer des fusibles ou rectifier le câblage ou la plomberie du domicile.
  2. Les visites de service pour réparer ou remplacer les ampoules électriques de l'appareil, les filtres à air ou les filtres à eau. Les pièces consommables ne sont pas couvertes par la garantie.
  3. Les réparations lorsque le gros appareil ménager est utilisé à des fins autres que l'usage unifamilial normal ou lorsque les instructions d'installation et/ou les instructions de l'opérateur ou de l'utilisateur fournies ne sont pas respectées.
  4. Les dommages imputables à : accident, modification, usage impropre ou abusif, incendie, inondation, actes de Dieu, installation fautive ou installation non conforme aux codes d'électricité ou de plomberie, ou l'utilisation de pièces consommables ou de produits nettoyants non approuvés par KitchenAid.
  5. Les défauts apparents, notamment les éraflures, les bosses, fissures ou tout autre dommage au fini du gros appareil ménager, à moins que ces dommages soient dus à des vices de matériaux ou de fabrication et soient signalés à KitchenAid dans les 30 jours suivant la date d'achat.
  6. Les coûts associés au transport du gros appareil ménager du domicile pour réparation. Ce gros appareil ménager est conçu pour être réparé à domicile et seul le service à domicile est couvert par la présente garantie.
  7. Les réparations aux pièces ou systèmes résultant d'une modification non autorisée faite à l'appareil.
  8. Les frais de transport pour le service d'un produit si votre gros appareil est situé dans une région éloignée où un service d'entretien KitchenAid autorisé n'est pas disponible.
  9. La dépose et la réinstallation de votre gros appareil si celui-ci est installé dans un endroit inaccessible ou n'est pas installé conformément aux instructions d'installation fournies.
  10. Les gros appareils ménagers dont les numéros de série et de modèle originaux ont été enlevés, modifiés ou qui ne peuvent pas être facilement identifiés. La présente garantie est nulle si le numéro de série d'usine a été modifié ou enlevé du gros appareil ménager.
- Le coût d'une réparation ou des pièces de rechange dans le cadre de ces circonstances exclues est à la charge du client.

---

### CLAUSE D'EXONÉRATION DE RESPONSABILITÉ AU TITRE DES GARANTIES IMPLICITES; LIMITATION DES RECOURS

LE SEUL ET EXCLUSIF RECOURS DU CLIENT DANS LE CADRE DE LA PRÉSENTE GARANTIE LIMITÉE CONSISTE EN LA RÉPARATION PRÉVUE CI-DESSUS. LES GARANTIES IMPLICITES, Y COMPRIS LES GARANTIES APPLICABLES DE QUALITÉ MARCHANDE ET D'APTITUDE À UN USAGE PARTICULIER, SONT LIMITÉES À UN AN OU À LA PLUS COURTE PÉRIODE AUTORISÉE PAR LA LOI. KitchenAid N'ASSUME AUCUNE RESPONSABILITÉ POUR LES DOMMAGES FORTUITS OU INDIRECTS. CERTAINES JURIDICTIONS NE PERMETTENT PAS L'EXCLUSION OU LA LIMITATION DES DOMMAGES FORTUITS OU INDIRECTS, OU LES LIMITATIONS DE LA DURÉE DES GARANTIES IMPLICITES DE QUALITÉ MARCHANDE OU D'APTITUDE À UN USAGE PARTICULIER, DE SORTE QUE CES EXCLUSIONS OU LIMITATIONS PEUVENT NE PAS S'APPLIQUER DANS VOTRE CAS. CETTE GARANTIE VOUS CONFÈRE DES DROITS JURIDIQUES SPÉCIFIQUES ET VOUS POUVEZ ÉGALEMENT JOUIR D'AUTRES DROITS QUI PEUVENT VARIER D'UNE JURIDICTION À UNE AUTRE.

---

À l'extérieur du Canada et des 50 États des États-Unis, cette garantie ne s'applique pas. Contactez votre marchand KitchenAid autorisé pour déterminer si une autre garantie s'applique.

Si vous avez besoin de service, voir d'abord la section "Dépannage" du Guide d'utilisation et d'entretien. Après avoir vérifié la section "Dépannage", de l'aide supplémentaire peut être trouvée en vérifiant la section "Assistance ou service" ou en appelant KitchenAid. Aux É.-U., composer le **1-800-422-1230**. Au Canada, composer le **1-800-807-6777**. 9/07

---

**Conservez ce manuel et votre reçu de vente ensemble pour référence ultérieure. Pour le service sous garantie, vous devez présenter un document prouvant la date d'achat ou d'installation.**

Inscrivez les renseignements suivants au sujet de votre gros appareil ménager pour mieux vous aider à obtenir assistance ou service en cas de besoin. Vous devrez connaître le numéro de modèle et le numéro de série au complet. Vous trouverez ces renseignements sur la plaque signalétique située sur le produit.

Nom du marchand \_\_\_\_\_  
Adresse \_\_\_\_\_  
Numéro de téléphone \_\_\_\_\_  
Numéro de modèle \_\_\_\_\_  
Numéro de série \_\_\_\_\_  
Date d'achat \_\_\_\_\_