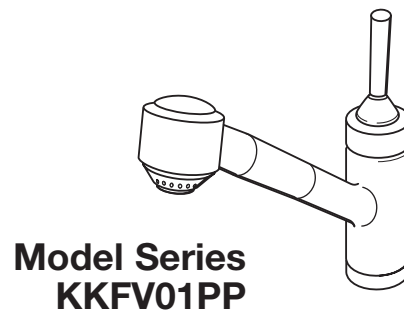
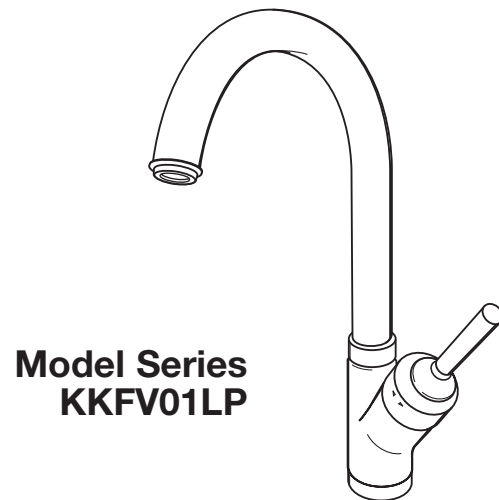
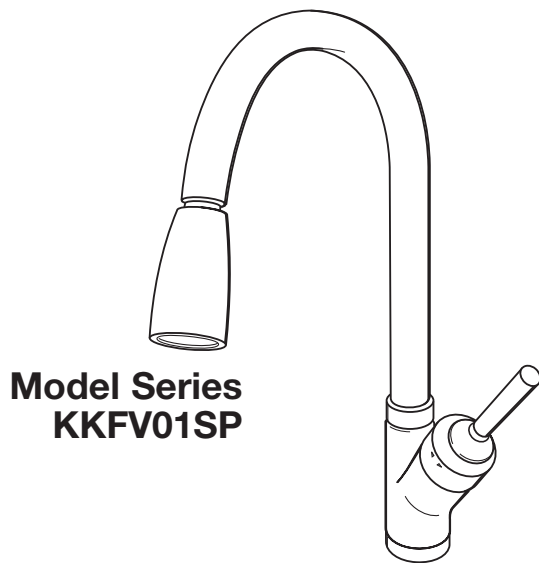

Installation Instructions and Use and Care Guide Kitchen Faucets



**IMPORTANT: READ AND SAVE THESE INSTRUCTIONS.
FOR RESIDENTIAL USE ONLY.**

IMPORTANT:

Installer: Leave installation instructions with the homeowner.

Homeowner: Keep installation instructions for future reference.

INSTALLATION REQUIREMENTS

Tools and Parts

Gather the required tools and parts before starting installation. Read and follow the instructions provided with any tools listed here.

Tools needed

- Adjustable wrench
- Slip joint pliers
- #2 Phillips screwdriver
- Basin wrench (optional)

Tools needed

Remove parts from carton. Check that all parts are included.

All models:

- Faucet assembly
- Plastic base
- $\frac{5}{64}$ " (2 mm) Allen wrench

Model series KKFV01SP & KKFV01PP:

- Weights
- Check valve assembly
 - 2 fiber seals

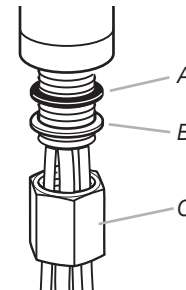
Location Requirements

IMPORTANT: Observe all governing codes and ordinances.

- Check location where faucet will be installed. Proper installation is your responsibility. Make sure you have everything necessary for correct installation. It is the responsibility of the installer to comply with installation specifications and with state and local plumbing codes. Protect faucet and water lines leading to faucet against freezing. Damage from freezing is not covered by the warranty.
- Faucet requires a $1\frac{3}{8}$ " (3.5 cm) diameter opening in sink or countertop. If hole is not available for mounting it is recommended that a qualified installer be contacted to drill the hole for your installation in a sink deck or countertop. Thickness of sink or countertop hole must not exceed $1\frac{3}{4}$ " (4.4 cm).
- Hot and cold water supply lines must be available and if they are not it is recommended that a qualified plumber install the necessary piping.
- Faucet hoses are equipped with compression type seals and do not require sealing compounds to prevent leaking.
- As with all metal objects, follow proper handling techniques.
- It is recommended that a qualified plumber/installer install the faucet. The faucet installation must comply with national and local plumbing codes and ordinances.
- The faucet should be examined for damage prior to installation. Do not install a damaged faucet. Instead, return the faucet to the dealer from whom you purchased it. Failure to do so will void the warranty.

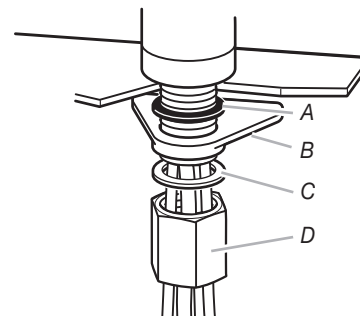
INSTALLATION INSTRUCTIONS

1. Before installing the faucet, flush water supply pipes thoroughly. Shut off water supply valves.
2. Remove nut, metal washer and rubber washer from faucet. Do not remove rubber o-ring in bottom of faucet base.



A. Rubber washer
B. Metal washer
C. Nut

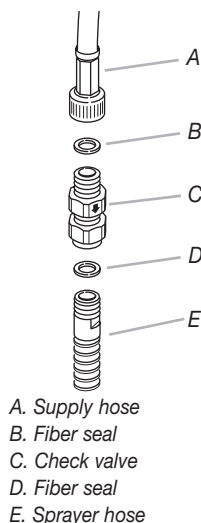
3. Feed tubing through hole in sink or countertop and then insert faucet assembly into hole.
4. Reinstall the parts onto the threaded shank of the faucet in the following order: rubber washer, plastic base, metal washer and nut. Hand-tighten nut.



A. Rubber washer
B. Plastic base
C. Metal washer
D. Nut

5. Align faucet and securely hand-tighten the nut to prevent faucet base from turning when moving operating lever. For Model series KKFV01SP and KKFV01PP, be sure the control lever is pointed toward the right side of the sink.

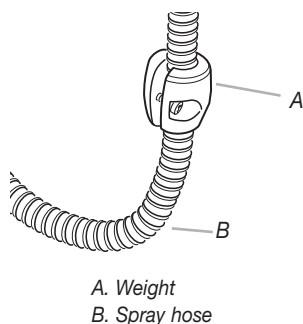
6. Model series KKFV01SP and KKFV01PP only: Connect the sprayer hose to the supply hose using the check valve assembly and fiber seals. Be sure the check valve assembly is positioned correctly; the arrow should be pointing down away from the faucet. Insert a fiber seal between sprayer hose and check valve assembly and attach them. Insert a fiber seal between the check valve assembly and supply hose and attach them.



7. Connect the red-striped braided hose to the hot water supply valve. Connect the blue-striped braided hose to the cold water supply valve. Be sure to hold the supply hoses in place when tightening the nut to prevent the hoses from twisting.
8. Model series KKFV01SP and KKFV01PP only: Be sure the sprayer hose is fully inserted into the faucet body. Under the sink, use the screws provided to attach the weight(s) onto the sprayer hose on the spout side of the hose loop, just above the bend in the hose.

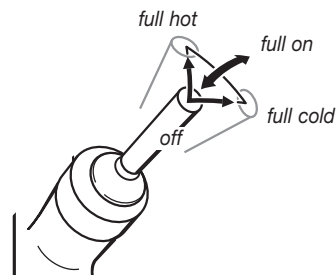
For model series KKFV01PP attach one weight.

For model series KKFV01SP attach both weights.



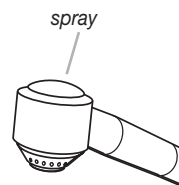
9. Move the faucet lever to the closed (forward) position and open supply valves. Check connections for leaks.
10. Remove aerator from faucet and flush the hot and cold lines until water is clear.
- The aerator is in the end of the faucet. Loosen with a wrench to remove.
11. Reinstall the aerator into faucet after flushing the water lines and tighten with a wrench.

OPERATION



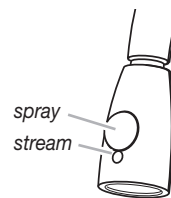
Model series KKFV01PP:

- The flow of water can be a stream or spray. A stream is the default water setting.
- Change to spray by pushing the diverter button on top of the spray assembly.
- Change to stream by shutting the faucet off. The spray assembly automatically resets.
- The spray assembly can be drawn approximately 20 inches out of the faucet spout.



Model series KKFV01SP:

- The flow of water can be a stream or spray. A stream is the default water setting.
- Change to spray by pushing the large diverter button on top of the spray assembly.
- Change to stream by pushing the small diverter button just below the large button or by shutting the faucet off.
- The spray assembly can be drawn approximately 20 inches out of the faucet spout.

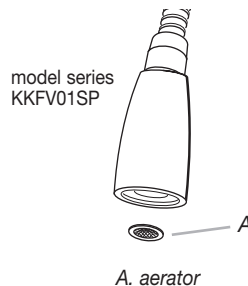


Cleaning

Aerator:

The aerator should be removed periodically and cleaned out under running water. If it is very dirty it should be put in common household vinegar and allowed to soak overnight. Reinstall and tighten with a wrench.

Chrome faucet:



Use liquid cleansers or soapy water. Polish with a soft cloth.

NOTE: Anti-lime or acidic cleansers such as scouring agents or abrasive sponges are to be avoided.

Stainless Steel faucet:

Use a cloth and clean water or a very diluted washing liquid. Polish with a soft cloth.

NOTE: Anti-lime or acidic cleansers such as scouring agents or abrasive sponges are to be avoided.

Troubleshooting guide

PROBLEM

CHECK THE FOLLOWING

Slow or No water flow.

- Assure that water supply valves are fully open.
 - Assure braided faucet hoses are not twisted and are free from kinks.
 - Assure household main water supply is not shut off.
 - Assure faucet aerator is free of debris that could cause a plugged condition. See "Cleaning" section.
-

Faucet leaks at spout.

- Check that faucet lever is in the off position.
 - Faucet may drip for up to a minute after shutting off. This is the natural construction of the faucet.
 - Check that lock nut under faucet lever is tight.
 - To check this:
 - Remove faucet lever, lever base assembly and cap to expose lock nut. Tighten lock nut. If leak persists, the cartridge under the lock nut should be replaced.
-

Faucet lever loose.

- Tighten set screw in lever with supplied Allen wrench.
-

Pullout spray head does not pull out to a satisfactory distance.

- Check that area under sink cabinet is free from any articles that may impede the travel of the hose.
- Check the position of the weight(s) on the hose that will allow desired travel. Move weight(s) position to allow more travel when spray head is pulled out.

KitchenAid™ Faucets Warranty

One Year Limited Warranty	For one year from date of purchase, when this faucet is installed, operated and maintained according to instructions attached to or furnished with the product, KitchenAid will replace this faucet with an equivalent faucet supplied by KitchenAid if this faucet is found to be defective in materials or workmanship under conditions of normal use. This warranty extends to the original purchaser only.
Second through Third Year Limited Warranty on Stainless Steel Finish (residential installations only)	In the second through third year from date of purchase, when this faucet is installed and maintained according to instructions attached to or furnished with the product, KitchenAid will replace the faucet with an equivalent faucet supplied by KitchenAid if the stainless steel finish on this faucet is found to be defective in materials or workmanship under conditions of normal household use. This warranty extends to the original purchaser only.
Second through Fifth Year Limited Warranty on Chrome Finish (residential installations only)	In the second through fifth year from date of purchase, when this faucet is installed and maintained according to instructions attached to or furnished with the product, KitchenAid will replace the faucet with an equivalent faucet supplied by KitchenAid if the chrome finish on this faucet is found to be defective in materials or workmanship under conditions of normal household use. This warranty extends to the original purchaser only.
Second through Tenth Year Limited Warranty on Faucet Cartridge (residential installations only)	In the second through tenth year from date of purchase, when this faucet is installed and maintained according to instructions attached to or furnished with the product, KitchenAid will replace the faucet cartridge with a faucet cartridge supplied by KitchenAid if the faucet cartridge is found to be defective in materials or workmanship under conditions of normal household use. This warranty extends to the original purchaser only.

KitchenAid WILL NOT Pay for:

1. Service calls to correct the installation of your faucet, instruct you how to use your faucet, or to repair or replace household plumbing.
2. Limited warranty repairs after the first year when your faucet is used in other than normal, single-family household use.
3. Damage resulting from accident, alteration, unauthorized modification, misuse, abuse (such as heavy impact), fire, floods, acts of God, improper installation or installation not in accordance with local plumbing codes, or use of products not approved by KitchenAid.
4. Damages resulting from improper care or maintenance.
5. Damages resulting from improper applications, such as exposure to corrosive chemicals, photographic solutions, etc.
6. Any unauthorized modifications made to the product after it leaves KitchenAid (or its suppliers) premises whether performed by a contractor, service company, or you.
7. Any labor costs during the limited warranty periods.
8. Repair or replacement parts for units operated outside the United States.
9. Transportation and labor costs associated with removal or reinstallation of covered parts.

KITCHENAID SHALL NOT BE LIABLE FOR INCIDENTAL OR CONSEQUENTIAL DAMAGES

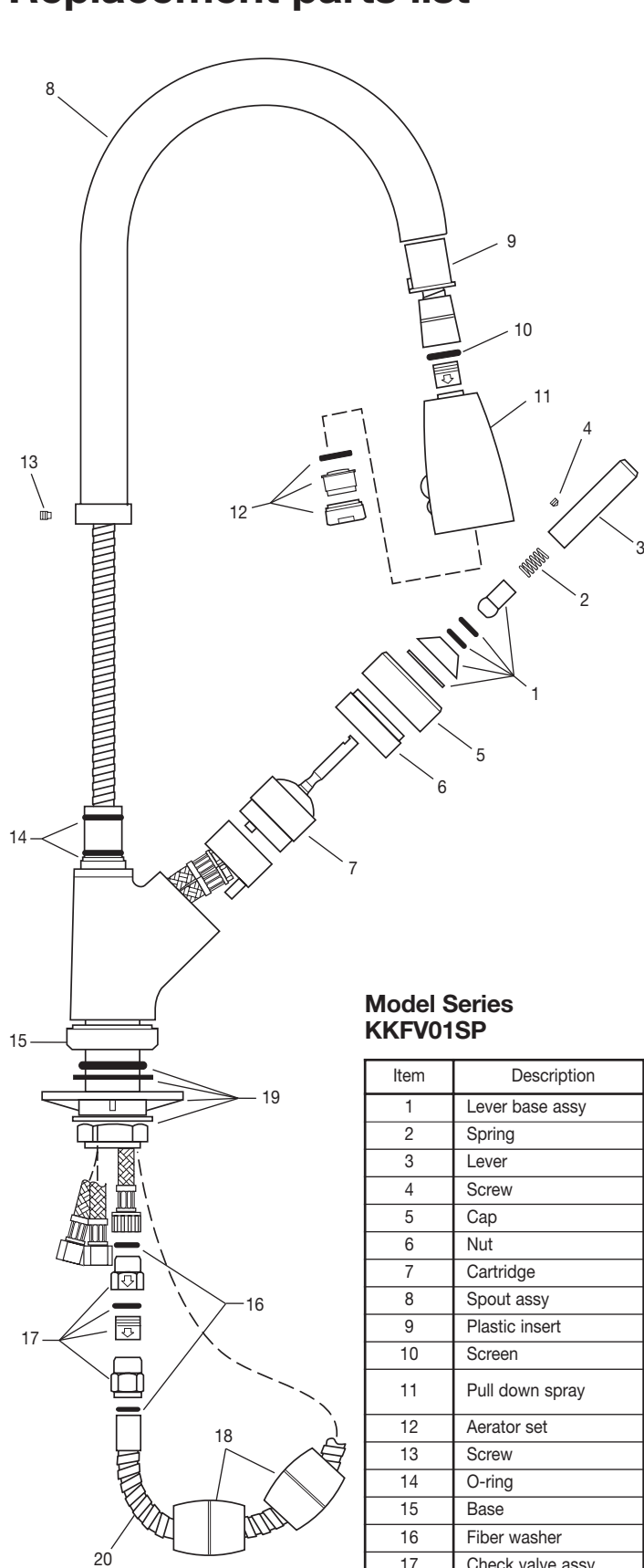
Some states do not allow the exclusion or limitation of incidental or consequential damages, so this exclusion or limitation may not apply to you. This warranty gives you specific legal rights and you may also have other rights, which may vary from state to state.

Outside the 50 United States, this warranty does not apply. Contact your authorized KitchenAid dealer to determine if another warranty applies.

If you believe you have a warranty claim, contact KitchenAid through your Dealer, Plumbing Contractor, Home Center or E-tailer. Or call our Customer Interaction Center at 1-800-422-1230 from anywhere in the USA, or write: KitchenAid Brand Home Appliances, Customer Interaction Center, 553 Benson Road, Benton Harbor, MI 49022-2692. In the event of a warranty claim, the owner will be required to provide proof of purchase, model and serial number, finish, a copy of the original invoice showing the seller and date the product was purchased, and a complete description of the problem. KitchenAid reserves the right to inspect any faucet reported to be defective prior to replacement of the faucet. All decisions are final.

This warranty supersedes all other warranties, expressed or implied.

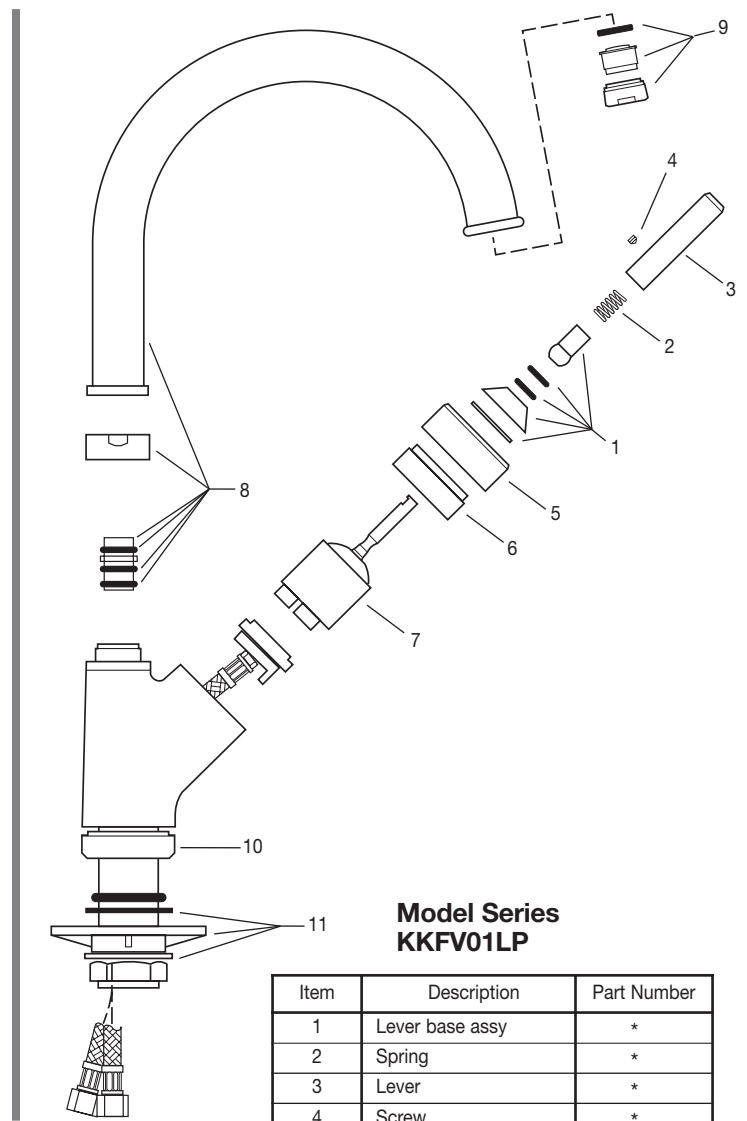
Replacement parts list



**Model Series
KKFV01SP**

Item	Description	Part Number
1	Lever base assy	*
2	Spring	*
3	Lever	*
4	Screw	*
5	Cap	*
6	Nut	*
7	Cartridge	8211401
8	Spout assy	*
9	Plastic insert	8211417
10	Screen	8211406
11	Pull down spray	Stainless - 8211402 Chrome - 8211416
12	Aerator set	8211403
13	Screw	*
14	O-ring	*
15	Base	*
16	Fiber washer	8211404
17	Check valve assy	8211410
18	Weight	8211407
19	Mounting assy	8211411
20	Hose	8211405

*This part not serviceable.

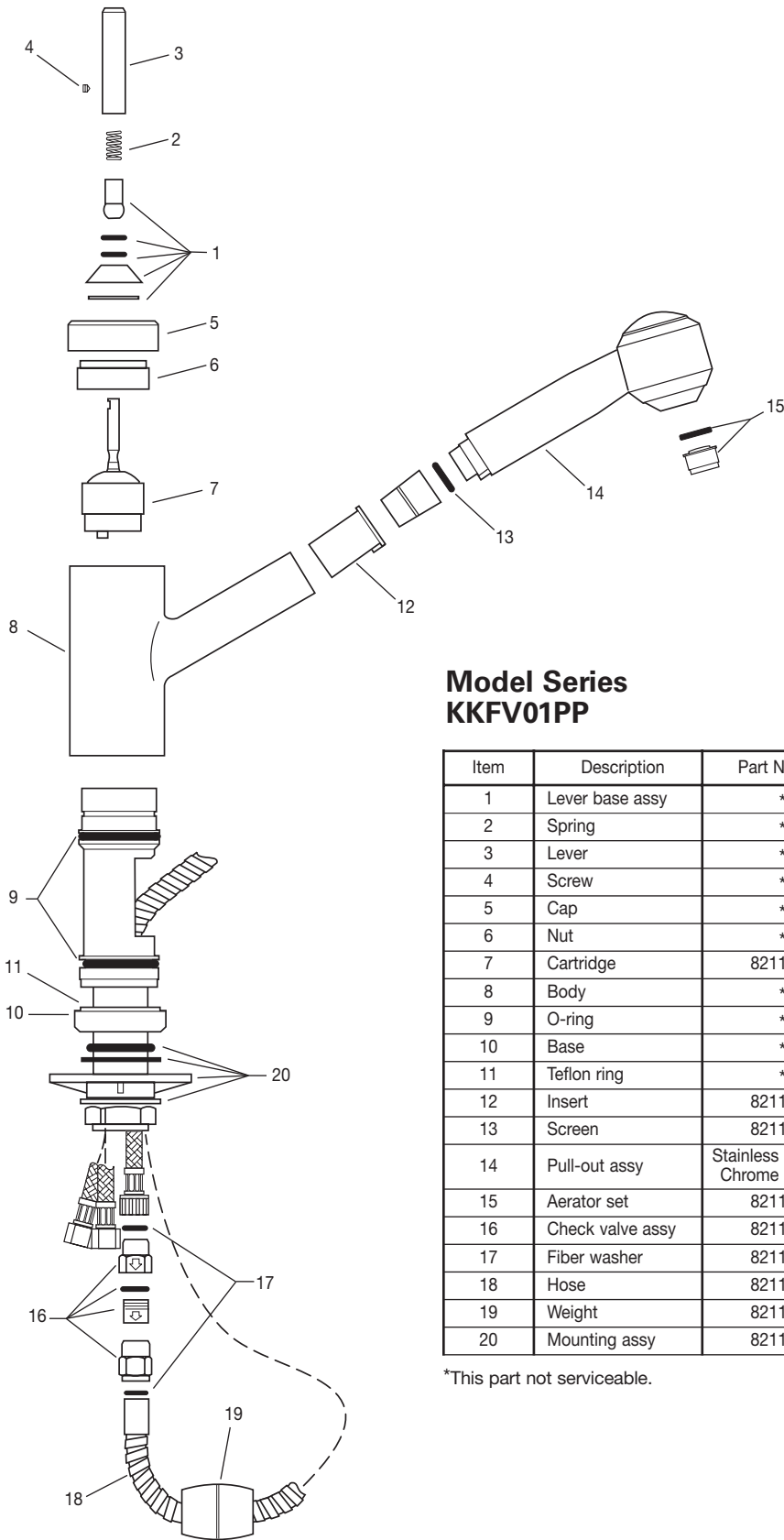


**Model Series
KKFV01LP**

Item	Description	Part Number
1	Lever base assy	*
2	Spring	*
3	Lever	*
4	Screw	*
5	Cap	*
6	Nut	*
7	Cartridge	8211409
8	Spout assy	*
9	Aerator set	8211403
10	Base	*
11	Mounting assy	8211411

*This part not serviceable.

Replacement parts list



Model Series KK FV01PP

Item	Description	Part Number
1	Lever base assy	*
2	Spring	*
3	Lever	*
4	Screw	*
5	Cap	*
6	Nut	*
7	Cartridge	8211401
8	Body	*
9	O-ring	*
10	Base	*
11	Teflon ring	*
12	Insert	8211418
13	Screen	8211406
14	Pull-out assy	Stainless - 8211408 Chrome - 8211415
15	Aerator set	8211403
16	Check valve assy	8211410
17	Fiber washer	8211404
18	Hose	8211405
19	Weight	8211407
20	Mounting assy	8211411

*This part not serviceable.

KitchenAid[®]
HOME APPLIANCES

8559765A

© 2005 KitchenAid

® Trademark of KitchenAid, U.S.A., KitchenAid Canada licensee in Canada.

Printed in U.S.A.

09/2005