

So Quiet...

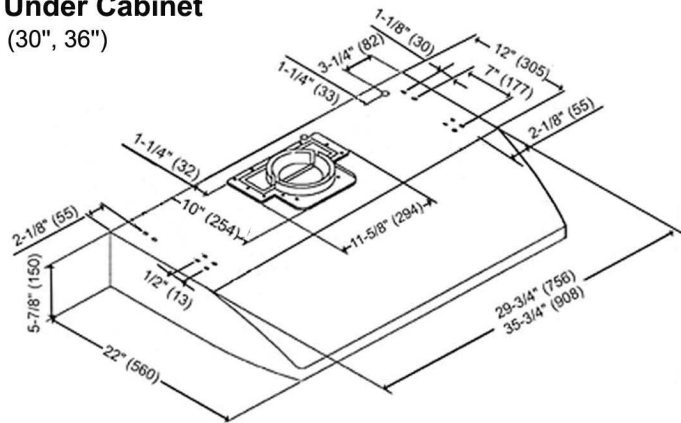
You Won't Believe It's On!

CH-122 Series

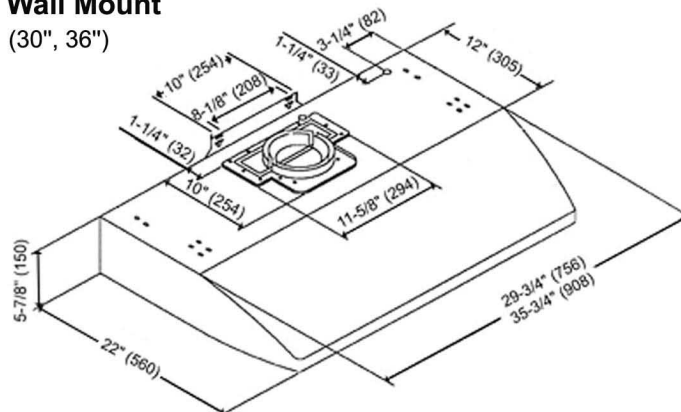


Appearance	
Stainless Steel	•
Seamless	•
Performance	
CFM	380 to 800
Sone / Decibel	1.0 to 4.8 / 40dB to 63dB
QuietMode™	1.0 Sone / 40dB
Features	
Halogen Light	12V 20W x 2
Power Supply / Consumption	120V 60Hz / 181W 1.57A
No. of Speed	4 (Electronic Buttons)
Fan Type	Twin Vertical Turbine Impeller
Ducting Options	Top- 6" Round, 7" Round and 3-1/4" x 10" Rectangular Rear- 3-1/4" x 10" Rectangular
Filter	Safety Screen
Optional Accessories	
Duct Cover	CH1120DC
Stainless Steel Back Splash	SSP30 (30" x 32"), SSP36 (36" x 32")

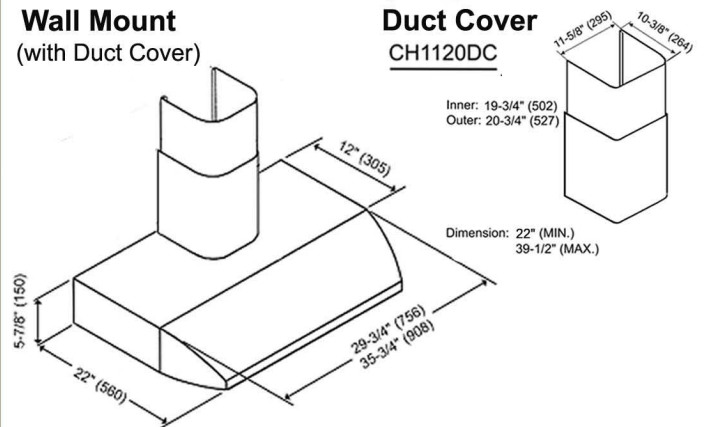
Under Cabinet (30", 36")



Wall Mount (30", 36")



Wall Mount (with Duct Cover)



Optional Accessories

Duct Cover CH1120DC

Inner: 19-3/4" (502)
Outer: 20-3/4" (527)

Dimension: 22" (MIN.)
39-1/2" (MAX.)

Information subject to change without notice.

* Building code may vary.