

KOBE®

So Quiet...

You Won't Believe It's On!

Under Cabinet or Wall Mount
CH-179 SQB Series



Available January 2010



Model No: CH7930SQB (30")
 CH7936SQB (36")
 CH7942SQB (42")
 CH7948SQB (48")



CH-179 SQB Series shown with optional duct cover.

30" & 36" - Control Panel in the Center
 42" & 48" - Control Panel on the Right

Appearance

Stainless Steel	●
Seamless	●

Performance

CFM	280 to 720
Sone / Decibel	1.0 to 4.5 / 40dB to 62dB
QuietMode™	1.0 Sone / 40dB

Features

Halogen Light	12V 20W x 2 (30" & 36")
	12V 20W x 3 (42" & 48")
Power Supply / Consumption	120V 60Hz / 232W 2.21A (30" & 36")
	120V 60Hz / 253W 2.38A (42")
	120V 60Hz / 258W 2.41A (48")
No. of Speed	4 / Electronic Button Control (Recessed Panel) 30" & 36" - Control Panel in the Center 42" & 48" - Control Panel on the Right

Fan Type

Twin Vertical Turbine Impeller

Ducting Options

Top- 6" Round, 7" Round and
 3-1/4" x 10" Rectangular
 Rear- 3-1/4" x 10" Rectangular

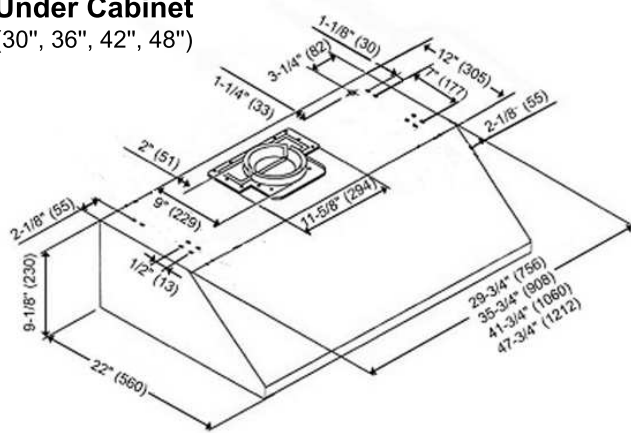
Filter

Baffle

Optional Accessories

Duct Cover	CH1120DC
Stainless Steel Back Splash	SSP30 (30" x 32"), SSP36 (36" x 32")

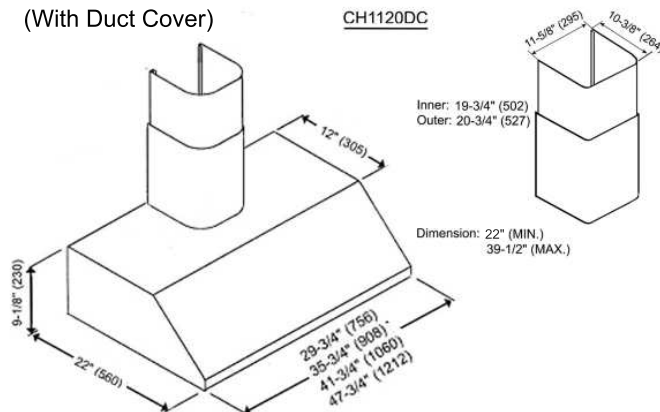
Under Cabinet
 (30", 36", 42", 48")



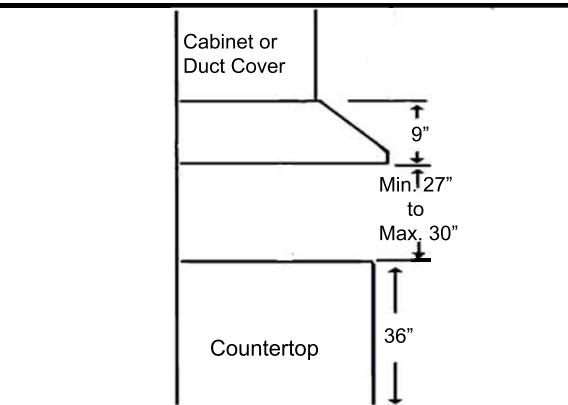
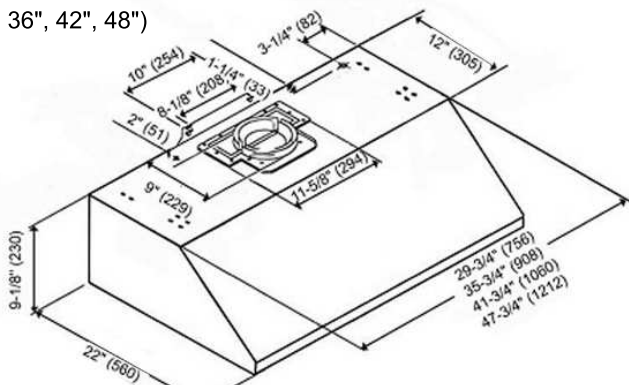
Optional Accessories

Wall Mount
 (With Duct Cover)

Duct Cover
 CH1120DC



Wall Mount
 (30", 36", 42", 48")



Information subject to change without notice.

* Building code may vary.

Measurement in inches (mm). Inches are converted from millimeter and are estimated.

www.KOBERangeHoods.com

VER. 091204