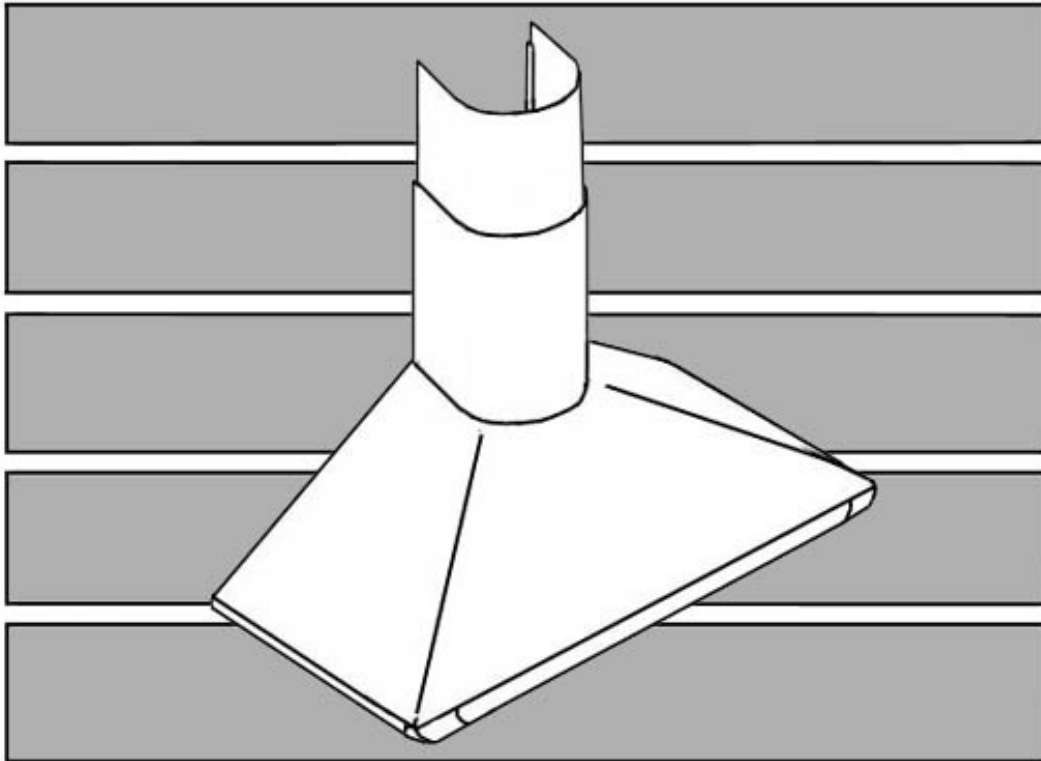


# KOBE® KOBE Brand Range Hood

Model No.

CHX8136SF



INSTALLATION INSTRUCTIONS  
AND OPERATION MANUAL

# [ENGLISH]

- READ AND SAVE THESE INSTRUCTIONS -

## CONTENTS

IMPORTANT SAFETY INSTRUCTIONS.....	1
COMPONENTS OF PACKAGE.....	3
INSTALLATION.....	4
OPERATING INSTRUCTIONS.....	8
MAINTENANCE.....	9
SPECIFICATIONS.....	10
MEASUREMENTS & DIAGRAMS.....	11
PARTS LIST.....	12
CIRCUIT DIAGRAM.....	14
TROUBLE SHOOTING.....	15
DISCLAIMER.....	16
WARRANTY.....	17
PRODUCT REGISTRATION.....	19

- READ ALL INSTRUCTIONS CAREFULLY BEFORE STARTING -

ALL WIRING MUST BE DONE BY A PROFESSIONAL AND IN ACCORDANCE WITH NATIONAL AND LOCAL ELECTRICAL CODES.



## IMPORTANT SAFETY INSTRUCTIONS

- PLEASE READ THIS SECTION CAREFULLY BEFORE INSTALLATION -

**⚠WARNING:** TO REDUCE THE RISK OF FIRE, ELECTRIC SHOCK OR PERSONAL INJURY, OBSERVE THE FOLLOWING:

- 1) Installation and electrical wiring must be done by qualified professionals and in accordance with all applicable codes and standards, including fire-rated construction.
- 2) When cutting or drilling into wall or ceiling, be careful not to damage electrical wiring or other hidden utilities.
- 3) Ducted fans must be vented to the outside.
  - a) Before servicing or cleaning unit, open the light panel and SWITCH POWER OFF AT SERVICE PANEL.
  - b) Clean all grease laden surfaces frequently. To reduce the risk of fire and to disperse air properly, make sure to vent air outside. DO NOT vent exhaust air into wall spaces, attics, crawl spaces or garages.

NOTE - This warranty is invalid without an authorized agent's receipt or if unit is damaged due to misuse, poor installation, improper use, mistreatment, negligence or any other circumstances beyond the control of EPC Trading Inc.

- EPC Trading Inc. will not be held responsible for any damages to personal property or real estate or any bodily injuries whether caused directly or indirectly by the range hood.

**⚠WARNING:** TO REDUCE THE RISK OF PERSONAL INJURY IN THE EVENT OF A RANGE TOP GREASE FIRE:

- Keep all fan, baffle/spacer/filter/oil tunnel/oil container and grease-laden surfaces clean. Grease should not be allowed to accumulate on fan, baffle/spacer/filter/oil tunnel/oil container.
- Always turn hood ON when cooking.
- Use high settings on cooking range ONLY when necessary.
- Do not leave cooking range unattended when cooking.
- Always use cookware and utensils appropriate for the type and amount of food prepared.
- Use this unit only in the manner intended by the manufacturer.
- Before servicing, switch power off at service panel and lock service panel (if possible) to prevent power from switching on accidentally.
- Clean ventilating fan frequently.

### **What to Do In The Event Of a Range Top Grease Fire**

- SMOTHER FLAMES with a tight fitting lid, cookie sheet, or metal tray, and then turn off the burner. KEEP FLAMMABLE OR COMBUSTIBLE MATERIAL AWAY FROM FLAMES. If the flames do not go out immediately, EVACUATE THE AREA AND CALL THE FIRE DEPARTMENT or 911.
- NEVER PICK UP A BURNING PAN – You May Get Burned.
- DO NOT USE WATER, including wet dishcloths or towels – a violent steam blast will result.
- Use an extinguisher ONLY if:
  - a) You have a Class A, B, C extinguisher and know how to operate it.
  - b) The fire is small and contained in the area where it started.
  - c) The fire department has been called.
  - d) You can fight the fire with your back to an exit.

### **What to Do If You Smell Gas**

- Extinguish any open flame.
- Do not try to turn on the lights or any type of appliance.
- Open all doors and windows to disperse the gas. If you still smell gas, call the Gas Company and Fire Department right away.

### **CAUTION**

- 1) For general ventilation use only. Do not use to exhaust hazardous or explosive materials and vapors.
- 2) To reduce the risk of fire, use only metal ductwork. Sufficient air is needed for proper combustion and exhausting of gases through the flue (chimney) to prevent back drafting.
- 3) Follow the heating equipment manufacturer's guideline and safety standards such as those published by the National Fire Protection Association (NFPA), and the American Society for Heating, Refrigeration and Air Conditioning Engineers (ASHRAE), and code authorities.
- 4) Activating any switch on may cause ignition or an explosion.
- 5) Due to the size and weight of this hood, two people installation is recommended.

#### **WARNING**



**ELECTRICAL SHOCK HAZARD – Can result in serious injury or death. Disconnect appliance from electric power before servicing. If equipped, the fluorescent light bulb contains small amounts of mercury, which must be recycled or disposed of according to Local, State, and Federal Codes.**

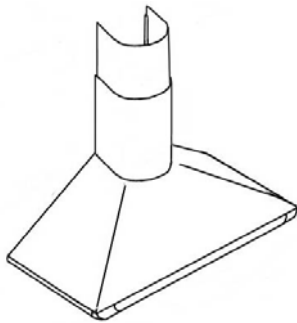
# COMPONENTS OF PACKAGE

(Must keep all material for returns or refunds)

## Range Hood Box

- {A} Brillia Range Hood – 1
- {B} Warranty Registration Card – 1
- {C} Instructions Manual – 1
- {D} Duct Cover Mounting Bracket – 1
- {E} Hood Mounting Bracket – 2
- {F} Aluminum Filters – 2
- {G} Mounting Template – 1
- {H} 7” Round Duct Adapter – 1
- {I} Screw package – 1

{A}



{B}



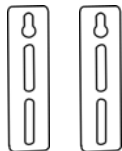
{C}



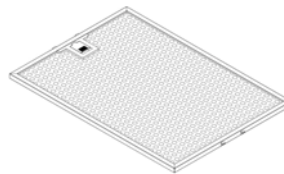
{D}



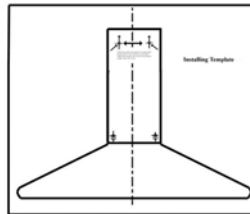
{E}



{F}



{G}



{H}



{I}



4 x 8 mm (2 pcs)



4 x 14 mm (2 pcs)

- FOR MORE INFORMATION, PLEASE CONTACT BRILLIA BY KOBE AT (626) 775-6388.

## INSTALLATION

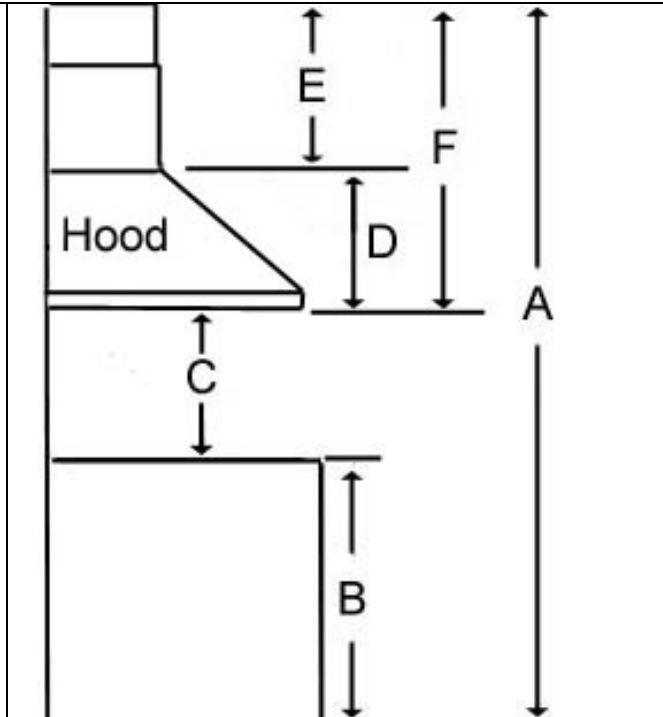
PLEASE READ ENTIRE INSTRUCTIONS BEFORE PROCEEDING

### Calculation before installation

To calculate the length of the installation, please refer to Table 1. (All calculation is measure in inches.)

**TABLE 1**

A = Height of Floor to Ceiling  
B = Height of Floor to Counter Top  
(Standard: 36")  
C = Preferred Height of Counter Top  
to Hood Bottom (Recommended  
27" to 30")  
D = Height of Hood  
E = Height of Duct Cover [F - D]  
F = Height of the Hood Installation  
[A - (B+C)]



### **SAFETY WARNING**

HOOD MAY HAVE VERY SHARP EDGES; PLEASE WEAR PROTECTIVE GLOVES IF REMOVING ANY PARTS FOR INSTALLING, CLEANING OR SERVICING.

NOTE: BE CAREFUL WHEN USING ELECTRICAL SCREWDRIVER, DAMAGE TO THE HOOD MAY OCCUR.

## Preparation before Installation

NOTE: TO AVOID DAMAGE TO YOUR HOOD, PREVENT DEBRIS FROM ENTERING THE VENT OPENING.

- Decide the location of venting pipe from the hood to the outside. Refer to Figure 1.
- A straight, short venting run will allow the hood to perform more efficiently.
- Try to avoid as many transitions, elbows, and long run as possible. This may reduce the performance of the hood.
- Use duct tape to seal the joints between pipe sections.
- Temporarily wire the hood to test for proper operation before installing.
- If necessary, prepare back wall frame with cross framing lumber for secure installation. Using references on Table 1 and the measurements on page 13, decide the level of the lumber. Refer to Figure 2.
- Peel protective film off the duct cover and the hood (if any).
- Loosen hood-mounting brackets at the back of the hood, adjust brackets and tighten screws as shown in Figure 3.
- If necessary to remove the rubber stand on the back of the hood, unscrew and discard. Refer to Figure 4.

## Hood Installation

**⚠ CAUTION:** If required to move the cooking range to install the hood, turn off the power on an electric range at the main electrical box. **SHUT OFF THE GAS BEFORE MOVING A GAS RANGE.**

1. Using references on Table 1 and measurements on page 13, mark the leveling point for hood-mounting bracket on the wall. If necessary, use installation template (provided).
2. Secure two mounting screws (not provided) on the wall leaving 1/8" away from the wall. Refer to Figure 5.
3. Align hood-mounting bracket to the mounting screws on the wall and hook hood into place.
4. Secure and tighten the mounting screws. **CAUTION: MAKE SURE THE HOOD IS SECURE BEFORE RELEASING.**

Figure 1

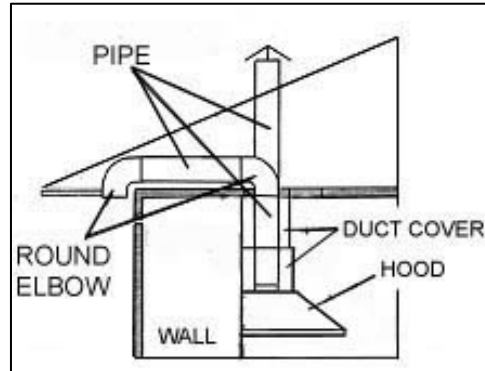


Figure 2

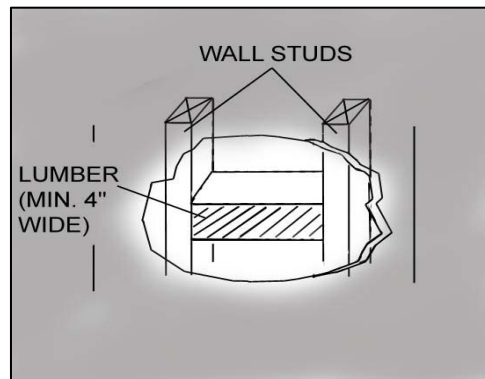
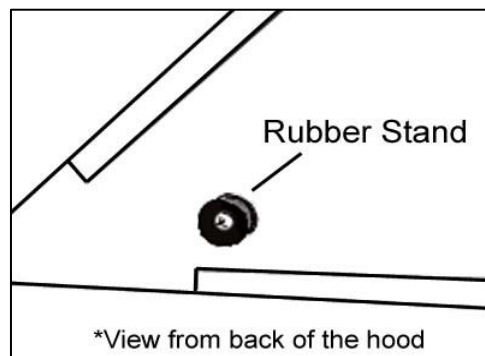


Figure 3



Figure 4



## Ductwork\_Installation

5. Use 6" round steel pipe (not provided) to connect the plastic exhaust on the hood to the ductwork above. Use duct tape to make all joints secure and air tight. Refer to Figure 6.
6. For 7" round ductwork, attach the 7" round duct adapter (provided) to the 6" round plastic exhaust on the hood. Refer to Figure 7.

## Wiring to Power Supply

### **⚠ SAFETY WARNING**

**RISK OF ELECTRICAL SHOCK. THIS RANGE HOOD MUST BE PROPERLY GROUNDED. MAKE SURE THIS IS DONE BY A SPECIALIZED ELECTRICIAN IN ACCORDANCE WITH ALL APPLICABLE NATIONAL AND LOCAL ELECTRICAL CODES. BEFORE CONNECTING WIRES, SWITCH POWER OFF AT SERVICE PANEL AND LOCK SERVICE PANEL TO PREVENT POWER FROM BEING SWITCHED ON ACCIDENTALLY.**

7. Connect three wires (black, white and green) to house wires and cap with wire connectors. Connect according to color: black to black, white to white, and green to green.
8. Test the operation of the hood before moving on to the next step. Make sure power is supplied to the hood.

Figure 5

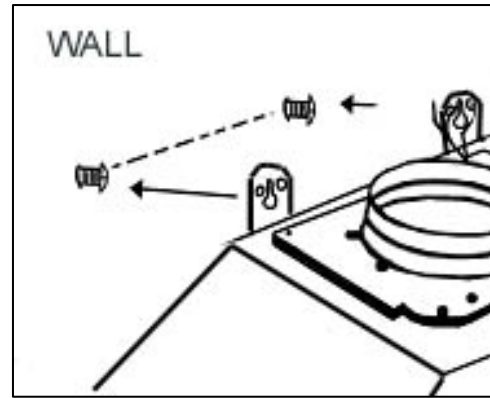


Figure 6

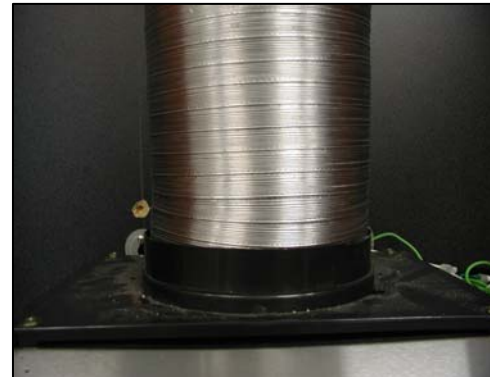
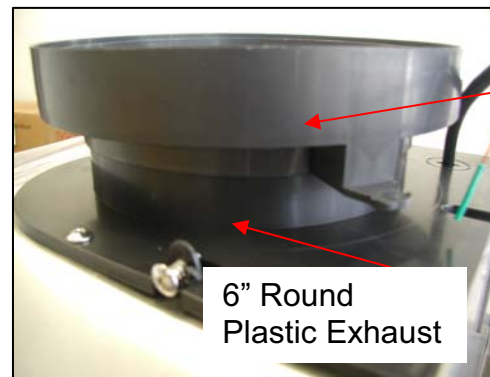


Figure 7





## Duct Cover Installation

**NOTE: BE CAREFUL WHEN USING ELECTRICAL SCREWDRIVER, DAMAGE TO THE HOOD MAY OCCUR.**

9. Using reference **E** from Table 1 and measurements on page 13, mark the leveling point for duct cover bracket.
10. Secure the duct cover bracket to the wall with two screws (not provided). Make sure all screws are tightened. **NOTE:** Inner duct cover will cover the duct cover bracket.
11. Adjust the duct cover length and secure with two (4x8 mm) screws (provided) as shown in Figure 8.
12. Remove the two (4x14 mm) screws (provided) on the duct cover position plate.
13. Slide the entire duct cover onto the hood. Refer to Figure 9.
14. Place the edge of the inner duct cover behind the duct cover bracket on the wall.
15. Secure the outer duct cover to the duct cover position plate with two (4x14 mm) screws (provided).

## Install Accessories

16. Place aluminum filters underneath the hood.

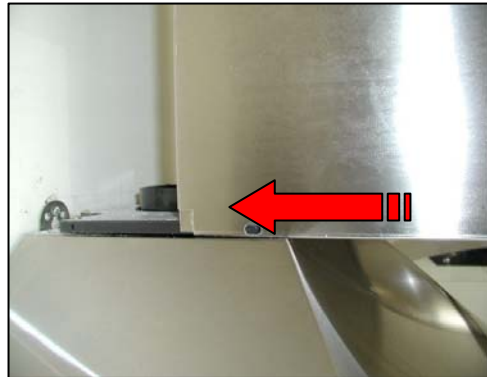
## Final Assembly

17. Turn power ON in control panel. Check all lights and fan operation.
18. Make sure to leave this manual for the homeowner.

Figure 8

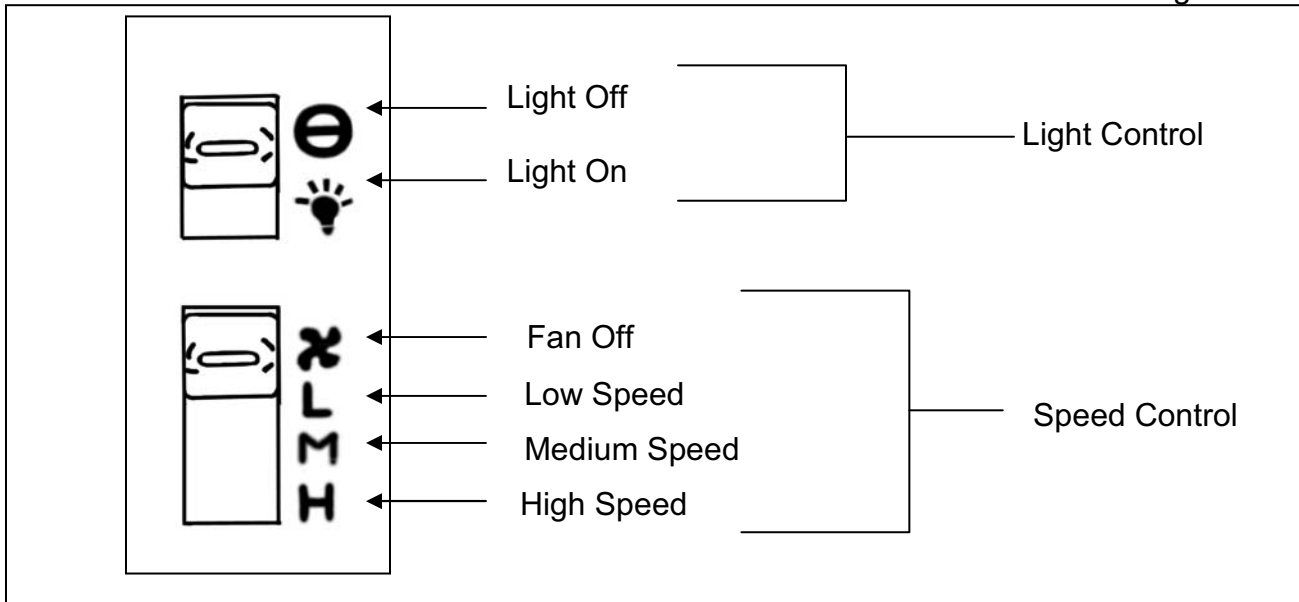


Figure 9



## OPERATING INSTRUCTIONS

Figure 11



### To operate the fan function

Slide switch to **L** in the Speed Control panel for low speed.


Slide switch to **M** in the Speed Control panel for medium speed.

Slide switch to **H** in the Speed Control panel for high speed.

Slide switch to **X** in the Speed Control panel to turn off the fan.

### To operate the light function

Slide switch to  in the Light Control Panel to turn light on.

Slide switch to  in the Light Control Panel to turn light off.

## MAINTENANCE

### SAFETY WARNING

NEVER PUT YOUR HAND INTO AREA HOUSING THE FAN WHILE THE FAN IS OPERATING.

#### Cleaning Hood Surface

 **CAUTION:** NEVER USE ABRASIVE CLEANERS, PADS, OR CLOTHS. DO NOT USE PAPER TOWEL ON STAINLESS STEEL.

For optimal operation, clean range hood and all baffle/spacer/filter/oil tunnel/oil container regularly.

\*\*\* Regular care will help preserve the appearance of the hood.

1. Use only mild soap or detergent solutions. Dry surfaces using soft cloth.
2. If hood looks splotchy (stainless steel hood), use a stainless steel cleaner to clean the surface of the hood. Avoid getting cleaning solution onto or into the control panel. Follow directions of the stainless steel cleaner. **Caution: Do not leave on too long as this may cause damage to hood finish.** Use soft towel to wipe off the cleaning solution, gently rub off any stubborn spots. Use dry soft towel to dry the hood.
3. DO NOT allow deposits to accumulate or remain on the hood.
4. DO NOT use ordinary steel wool or steel brushes. Small bits of steel may adhere to the surface and cause rusting.
5. DO NOT allow salt solutions, disinfectants, bleaches, or cleaning compounds to remain in contact with stainless steel for extended periods. Many of these compounds contain chemicals, which may be harmful. Rinse with water after exposure and wipe dry with a clean lint free cloth.

#### To Clean Aluminum Filters

1. Remove all the aluminum filters.
2. Using a sponge, wash with warm soapy water. Dry completely before returning into place.  
(*Note: Aluminum Filters are top rack dishwasher safe.*)

## SPECIFICATIONS

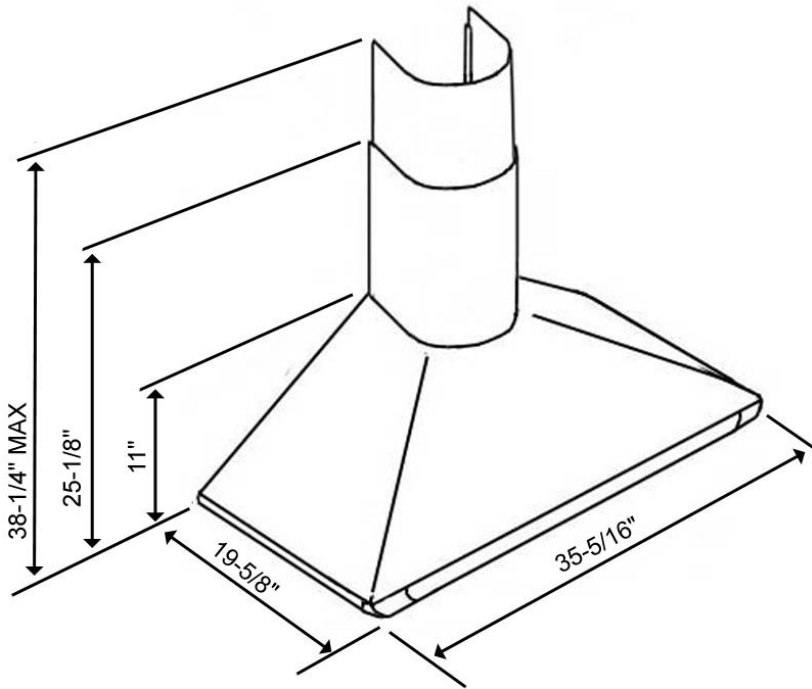
<b>MODEL / SIZE</b>	CHX8136SF / 36"		
<b>COLOR</b>	Commercial Grade Stainless Steel		
<b>CONSUMPTION / AMPERE</b>	180W / 1.5A		
<b>VOLTAGE</b>	120V 60Hz		
<b>NUMBER OF MOTORS</b>	1		
<b>DESIGN</b>	20-Gauge / Satin Finish		
<b>FAN TYPE</b>	Double Horizontal Squirrel Cage		
<b>EXHAUST</b>	6" Round 7" Round Adapter		
<b>CONTROLS</b>	Three Speed (Low, Medium, High)		
<b>LIGHTS</b>	LED x 2 (1-watt)		
<b>HOOD DIMENSION (W x D x H)</b>	35-1/4" x 19-1/2" x 11"		
<b>OPTIONAL ACCESSORIES (W x D x H)</b>	<ol style="list-style-type: none"> <li>1. <b>Model No.: CHX81SDC</b> Two-Piece Extension Duct Cover 8-1/4" x 8-7/8" x (14-1/8"~27-1/4")</li> <li>2. <b>Model No.: CH81SR</b> Euro Style Steel Rack (35-1/2" x 11-3/4" x 1/4")</li> <li>3. <b>Model No.: SSP36</b> 36" Stainless Steel Back Panel (36" x 1/10" x 32")</li> </ol>		
<b>WEIGHT (lbs)</b>		<u>Net</u>	<u>Gross</u>
	(CHX8136SF)	38.0	42.0
<b>SPEED</b>	Low	Medium	High
<b>Air Capacity (cfm)</b>	250	450	600
<b>Sone*</b>	1.0*	2.8	4.8

\*One Sone is equivalent to the sound of a refrigerator at 40 decibels.

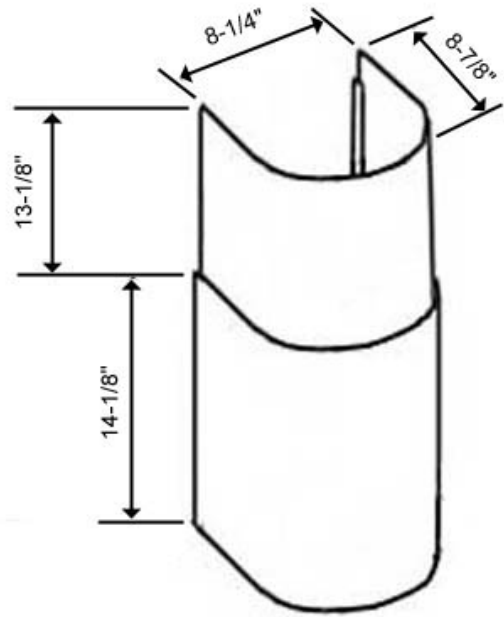
\*\*Specifications subject to change without notice.

## MEASUREMENTS & DIAGRAMS

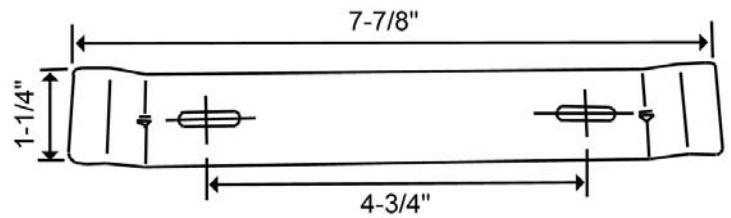
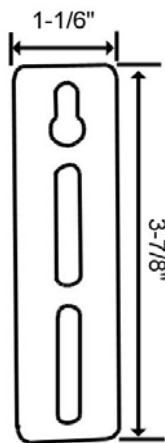
- All measurements in ( ) are millimeters.
- All inch measurements are converted from millimeters. Inch measurements are estimated.



\*\*\*Hood-Mounting Bracket



\*\*\*Duct Cover Bracket

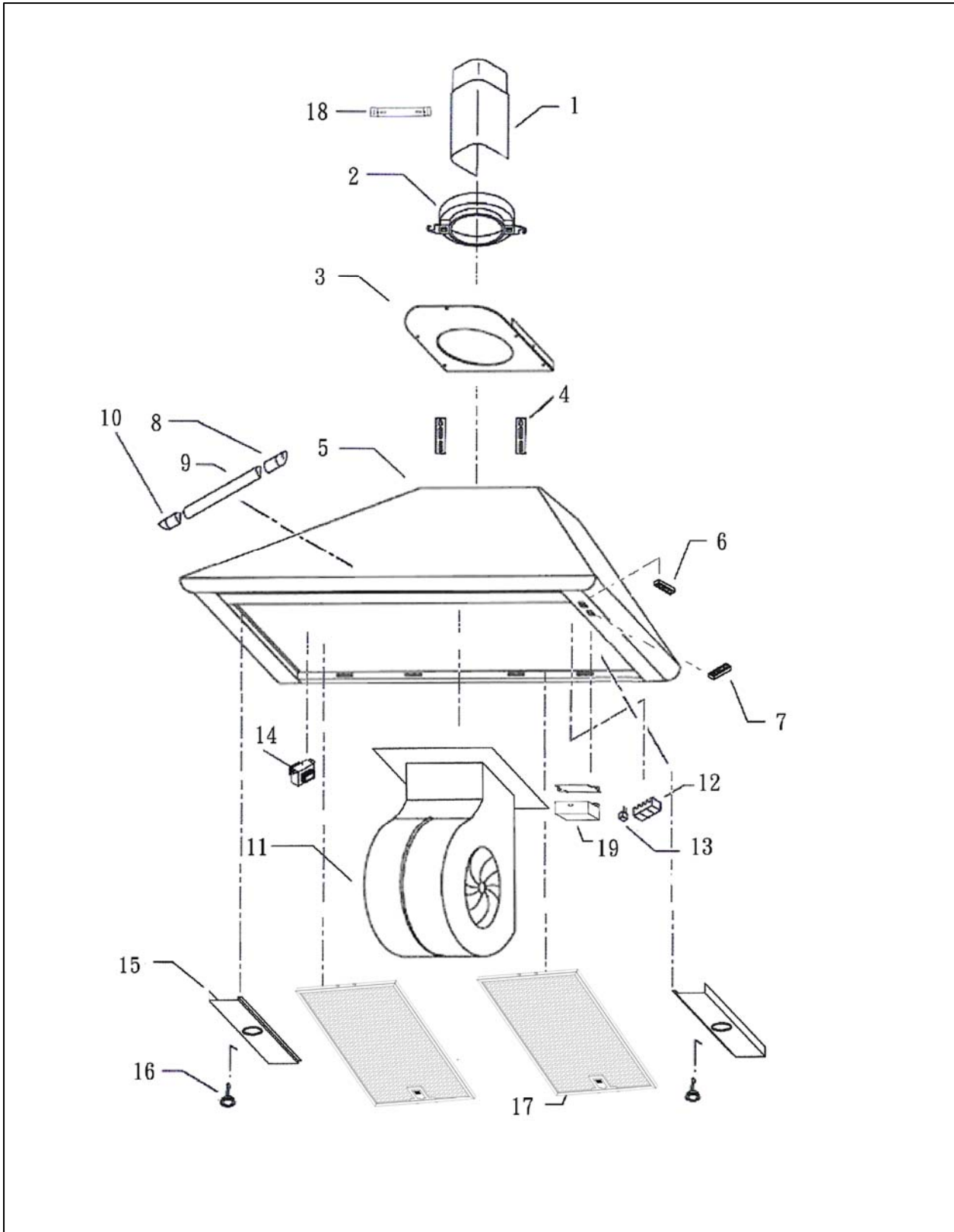


**PARTS LIST**

MODEL NO.: CHX8136SF

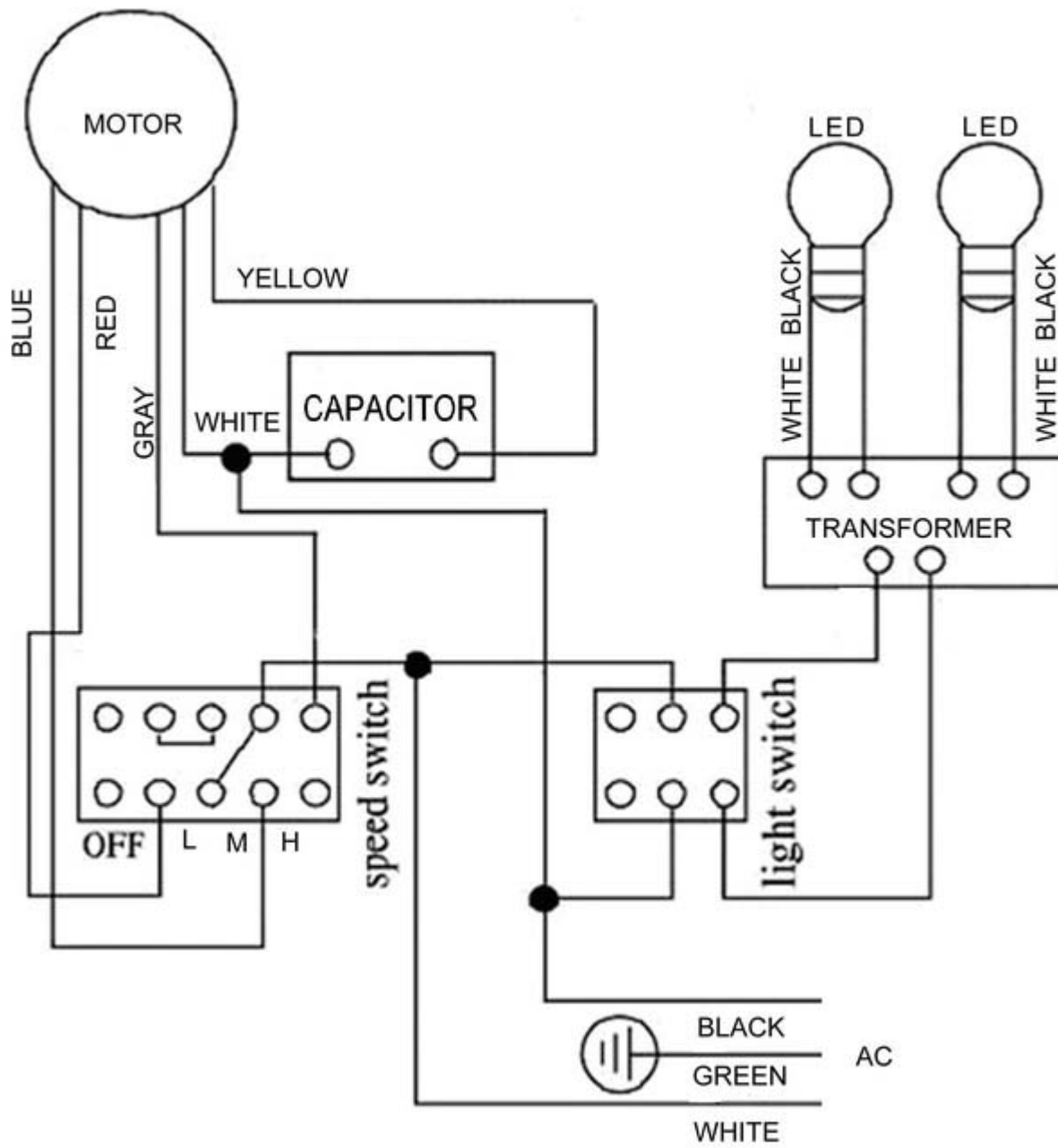
NO.	DESCRIPTION	MODEL /SIZE	PART NO.
1	Duct Cover	CHX81SDC	90D-1-0001
2	7" Round Adapter		90D-2-0002
3	Duct Cover Position Plate		90D-3-0003
4	Hood-Mounting Bracket		90D-4-0004
5	Hood Casing		90D-5-0005
6	Switch (light)		90D-5-0006
7	Switch (switch)		90D-6-0008
8	Side Trim (Right)		90D-7-1008
9	Front Trim		90D-8-0009
10	Side Trim (Left)		90D-9-2008
11	Blower System		BR90D-10-0010
12	Wire Box		90D-11-0011
13	Capacitor		90D-12-0012
14	Transformer (Light)		90D-13-0016
15	Spacer		90D-14-0014
16	LED Light		90D-14-0016
17	Aluminum Filters		90D-14-0019
18	Duct Cover Bracket		90D-14-0017
19	Electrical Box		90D-14-0018

MODEL NO.: CHX8136SF



# CIRCUIT DIAGRAM

MODEL NO.: CHX8136SF





## TROUBLE SHOOTING

Issue	Possible Cause	Solution
After Installation, both motors and lights are not working.	The power is not on.	Make sure the circuit breaker and the unit's power is ON. Use a voltage meter to check the power supply.
	The wire connection is not secure.	Check and tighten wire connection.
	The motor transformer is defective.	Check the power input and power output on the motor transformer. If it's needed, replace the motor transformer.
	The control panel is defective.	Replace the control panel.
Lights are working, but motor(s) is not.	The motor(s) is defective.	Replace the motor.
	The capacitor(s) is defective.	Replace capacitor(s).
	The control panel is defective.	Replace the control panel.
The range hood is vibrating.	The blower system is not secure.	Tighten the turbine impeller/squirrel cage and air chamber.
	The squirrel cage is not balanced.	Replace the squirrel cage.
	Hood is not secured in place.	Check the installation of hood, tighten the mounting bracket.
The motor is working, but the lights are not working.	LED(s) is defective.	Replace the LED(s).
	The light wiring(s) is loose.	Check wire continuity from light transformer to light housing(s).
	Light transformer is defective.	Check power input and power output on the light transformer. If it's needed, replace the light transformer.
	The control panel is defective.	Replace the control panel.
The range hood is not venting out correctly.	The range hood is installed outside of the manufacture recommended clearance.	Adjust the clearance between the range hoods and cook top to 27" to 30". For Island range hood, the clearance between the range hoods and cook top is 30" to 36".
	There is no make-up air inside the house.	Open the window to enhance the performance of the range hood by creating a sufficient make-up air.
	Obstacle blocking the pipe work.	Remove all obstacles from the duct work.
	The pipe size is smaller than the suggested pipe size.	Change the ducting according to the manufacture suggestion.
Cold air is coming into the home.	The pipe connection is not properly sealed.	Check the pipe installation.
	The damper is not properly installed or is missing from the installation.	Check the damper installation.
	The damper is not installed.	By installing the damper, it will help to eliminate air backflow.

## DISCLAIMER

1. **CAREFULLY INSPECT ALL ITEMS FOR DAMAGES BEFORE ACCEPTING DELIVERY. NOTE ANY DAMAGES ON THE FREIGHT BILL OR EXPRESS RECEIPT. REQUEST NAME AND SIGNATURE OF THE CARRIER'S AGENT AND KEEP COPY TO SUPPORT YOUR CLAIM.**  
Upon acceptance of items, owner assumes responsibility for its safe arrival. Report damages to the carrier and file a claim immediately. Failure to do so may result in the denial of your claim. The carrier will furnish you with necessary forms for filing a claim.  
**DAMAGES CAUSED DURING TRANSIT ARE NOT COVERED UNDER OUR WARRANTY.**
2. **PLEASE INSPECT CONTENTS OF PACKAGE(S) CAREFULLY UPON RECEIVING!**  
We must be notified in writing of any damages and/or missing parts within the allocated days upon your receipt of package(s).  
**CLAIMS WILL NOT BE ACCEPTED AFTER THE ALLOCATED DAYS.**  
NOTE: ITEMS WERE THOROUGHLY TESTED AND CAREFULLY PACKED IN OUR FACTORY BEFORE SHIPPING.
3. Products must be returned in good working condition with ALL original parts and documentation packed in ALL original cartons, fillers and shipping cartons.  
**EXCHANGES OR RETURNS MAY NOT BE ACCEPTED IF ANY PACKAGING IS MISSING.**
4. **MAKE SURE TO INSPECT THE HOOD FOR DAMAGES AND DEFECTS BEFORE INSTALLATION.** Appearance flaws of the hood found after installation and not affecting hood performance is not covered under our warranty for returns or exchanges.
  - A) Before Installation: Return for exchange or refund (please see above for acceptable returns).
  - B) After Installation: **NO** exchange or refund.

## **WARRANTY**

### **WARRANTY CERTIFICATE**

EPC Trading Inc. warrants all products manufactured or supplied by it to be free from defects in workmanship and materials. Its obligations pursuant to this warranty are limited to a period of one year from the date of purchase and to the replacement at its option and subject to the terms and conditions stated below, of any component part, which its examination shall disclose to be so defective.

### **ONE-YEAR PART WARRANTY**

Any covered failure occurring within one years of original purchase arising from defective workmanship or material in manufacture will be, at our discretion, replaced free of charge by EPC Trading Inc. as applicable. Keep proof of purchase (or original invoice) handy for inspection.

If the range hood is sold by the original purchaser during the warranty period the new owner is protected until expiration of the original purchaser's warranty.

### **CONDITIONS**

The following conditions apply only in relation to the warranty expressly given in this certificate.

- 1) This warranty applies only:
  - a) within U.S.A. and Canada.
  - b) to range hoods used for PRIVATE SINGLE FAMILY USE (if used for COMMERCIAL or MULTIPLE FAMILY USE or other purposes, warranty will be voided).
- 2) Repair of any fault to be provided under this warranty shall not be provided:
  - a) if the identification number attached to the range hood has been altered, rendered illegible or removed;
  - b) if notice of the defect has not been given within the period applicable;
  - c) for failure of light bulbs or heat lamps;
  - d) for physical damage;
  - e) for surfaces damaged by use of improper chemical cleaning agents;
  - f) if the appliance has been:
    - i) subject to misuse, abuse, negligence, accident, incorrect installation or failure to follow the operating instructions;
    - ii) connected to improper, inadequate or faulty electricity service or exhaust ducts, flues or duct cover, or operated using incorrect or contaminated lubricants;
  - g) for damage to range hood during transit, delivery, installation or removal;
  - h) noise or vibration caused by improper installation of range hood and/or damper.
- 3) The purchaser must produce proof of purchase together with this warranty certificate when making the claim.
- 4) Damages caused during shipment are not covered under our warranty.

## **CONSEQUENTIAL DAMAGE**

The warrantor is not responsible for any consequential damage. SOME STATES DO NOT ALLOW THE EXCLUSION OF CONSEQUENTIAL DAMAGE SO THE ABOVE EXCLUSION MAY NOT APPLY TO YOU.

## **IMPLIED WARRANTIES/STATE LAW**

Any implied warranties, including the implied warranty of merchantability and fitness for purpose, imposed on the sale by the laws of the state of sale are limited to one year from the date of original purchase. Some states do not allow limitations on the duration of implied warranties. This warranty gives you specific legal rights, and may also have rights, which vary from state to state.

## **CUSTOMER SERVICE**

For service contact:

For service contact:

KOBE Range Hoods  
11775 Clark Street  
Arcadia, CA 91006  
U.S.A.

Tel: (626) 775-8880

Email: [Customer.Service@KOBERangeHoods.com](mailto:Customer.Service@KOBERangeHoods.com)

Website: [www.KOBERangeHoods.com](http://www.KOBERangeHoods.com)

## PRODUCT REGISTRATION

### Register Your Product!

Any covered failure occurring within one year of original purchase arising from defective workmanship or material in manufacture will be, at our discretion, replaced free of charge by EPC Trading Inc. as applicable. Keep proof of purchase (original invoice) handy for inspection.

If the range hood is sold by the original purchaser during the warranty period the new owner is protected until expiration of the original purchaser's warranty. See warranty section for complete warranty coverage information.

This appliance has been manufactured, tested, and inspected to the standards required by EPC Trading Inc.

### PLEASE MAIL IN YOUR WARRANTY REGISTRATION CARD AND PROOF OF PURCHASE TO:

KOBE Range Hoods  
Warranty Registration  
11775 Clark Street  
Arcadia, CA 91006  
U.S.A.

### RECORD THE FOLLOWING INFORMATION FOR YOUR RECORD:

Model No. \_\_\_\_\_

Serial No. \_\_\_\_\_

Purchased Date                    \_\_\_\_ / \_\_\_\_ / \_\_\_\_

Purchased From:

\_\_\_\_\_  
\_\_\_\_\_  
\_\_\_\_\_

**IMPORTANT: PLEASE KEEP A COPY OF YOUR SALE RECEIPT OR INVOICE HANDY WHEN REQUESTING SERVICE.**

**KOBE**<sup>®</sup>

KOBE Range Hoods  
11775 Clark Street  
Arcadia, CA 91006 USA

<http://www.KOBERangeHoods.com>

This KOBE hood is made for use in the USA and CANADA only. We do not recommend using this hood overseas as the power supply may not be compatible and may violate the electrical code of that country. **Using a KOBE hood overseas is at your own risk and will void your warranty.**

Information subject to change without notice.

VER.120423