

# KOBE® KOBE Brand Range Hood

Model No.

IS2236SQB-DC16-1 (36")

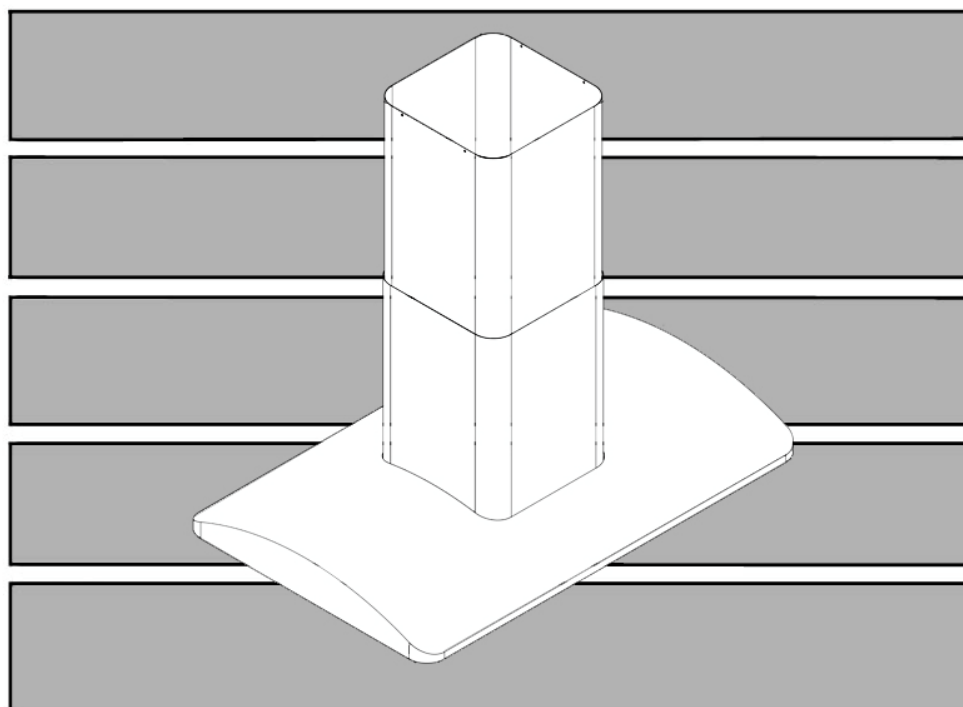
IS2242SQB-DC16-1 (42")

IS2236SQB-DC22-1 (36")

IS2242SQB-DC22-1 (42")

IS2236SQB-DC59-1 (36")

IS2242SQB-DC59-1 (42")



INSTALLATION INSTRUCTIONS  
AND OPERATION MANUAL

# IMPORTANT READ THIS FIRST

## READ BEFORE INSTALLATION

1. Carefully check all contents of packages.
2. Thoroughly inspect the unit for any shipping damages, cosmetic damages or defects.
3. Have a certified contractor/electrician test the unit before installation.

## IF THERE IS ANY PROBLEM:

1. **DO NOT INSTALL THE UNIT AND KEEP ALL ORIGINAL PACKAGING MATERIAL.**
2. Have your original invoice as proof of purchase and product serial number ready.
3. Contact your merchant for product replacement due to shipping damages, cosmetic damages or defects.
4. For all other issues, call 1-877-BUY-KOBE (289-5623), or e-mail to [info@koberangehoods.com](mailto:info@koberangehoods.com) .

## NO RETURN, NO REFUND, NO EXCHANGE IF:

1. PRODUCT HAS BEEN INSTALLED
2. KNOCK-OUT HOLES HAVE BEEN PUNCTURED
3. MISSING ORIGINAL PACKAGING MATERIAL  
AND/OR PARTS

# [ENGLISH]

- READ AND SAVE THESE INSTRUCTIONS -

## CONTENTS

|                                    |    |
|------------------------------------|----|
| IMPORTANT SAFETY INSTRUCTIONS..... | 1  |
| COMPONENTS OF PACKAGE.....         | 3  |
| INSTALLATION.....                  | 4  |
| OPERATING INSTRUCTIONS.....        | 8  |
| MAINTENANCE.....                   | 10 |
| SPECIFICATIONS .....               | 11 |
| MEASUREMENTS & DIAGRAMS.....       | 12 |
| PARTS LIST.....                    | 13 |
| CIRCUIT DIAGRAM.....               | 15 |
| TROUBLE SHOOTING .....             | 16 |
| WARRANTY .....                     | 17 |
| WARRANTY INFORMATION FORM.....     | 19 |

- READ ALL INSTRUCTIONS CAREFULLY BEFORE STARTING -

ALL WIRING MUST BE DONE BY A PROFESSIONAL AND IN ACCORDANCE WITH NATIONAL AND LOCAL ELECTRICAL CODES



## IMPORTANT SAFETY INSTRUCTIONS

- PLEASE READ THIS SECTION CAREFULLY BEFORE INSTALLATION -

**⚠WARNING:** TO REDUCE THE RISK OF FIRE, ELECTRIC SHOCK OR PERSONAL INJURY, OBSERVE THE FOLLOWING:

- 1) Installation and electrical wiring must be done by qualified professionals and in accordance with all applicable codes and standards, including fire-rated construction.
- 2) When cutting or drilling into wall or ceiling, be careful not to damage electrical wiring or other hidden utilities.
- 3) Ducted fans must be vented to the outside.
  - a) Before servicing or cleaning unit, open the light panel and SWITCH POWER OFF AT SERVICE PANEL.
  - b) Clean all grease laden surfaces frequently. To reduce the risk of fire and to disperse air properly, make sure to vent air outside. DO NOT vent exhaust air into wall spaces, attics, crawl spaces or garages.

NOTE - This warranty is invalid without an authorized agent's receipt or if unit is damaged due to misuse, poor installation, improper use, mistreatment, negligence or any other circumstances beyond the control of KOBE RANGE HOODS authorized agents. Any repair carried out without the supervision of KOBE RANGE HOODS authorized agents will automatically void the warranty.

- KOBE RANGE HOODS will not be held responsible for any damages to personal property or real estate or any bodily injuries whether caused directly or indirectly by the range hood.

**⚠WARNING:** TO REDUCE THE RISK OF PERSONAL INJURY IN THE EVENT OF A RANGE TOP GREASE FIRE:

- Keep all fan, baffle/spacer/filter/oil tunnel/oil container and grease-laden surfaces clean. Grease should not be allowed to accumulate on fan, baffle/spacer/filter/oil tunnel/oil container.
- Always turn hood ON when cooking.
- Use high settings on cooking range ONLY when necessary.
- Do not leave cooking range unattended when cooking.
- Always use cookware and utensils appropriate for the type and amount of food prepared.
- Use this unit only in the manner intended by the manufacturer.
- Before servicing, switch power off at service panel and lock service panel (if possible) to prevent power from switching on accidentally.
- Clean ventilating fan frequently.

### **What to Do In The Event Of a Range Top Grease Fire**

- SMOTHER FLAMES with a tight fitting lid, cookie sheet, or metal tray, and then turn off the burner. KEEP FLAMMABLE OR COMBUSTIBLE MATERIAL AWAY FROM FLAMES. If the flames do not go out immediately, EVACUATE THE AREA AND CALL THE FIRE DEPARTMENT or 911.
- NEVER PICK UP A BURNING PAN – You May Get Burned.
- DO NOT USE WATER, including wet dishcloths or towels – a violent steam blast will result.
- Use an extinguisher ONLY if:
  - a) You have a Class A, B, C extinguisher and know how to operate it.
  - b) The fire is small and contained in the area where it started.
  - c) The fire department has been called.
  - d) You can fight the fire with your back to an exit.

### **What to Do If You Smell Gas**

- Extinguish any open flame.
- Do not try to turn on the lights or any type of appliance.
- Open all doors and windows to disperse the gas. If you still smell gas, call the Gas Company and Fire Department right away.

### **CAUTION**

- 1) For general ventilation use only. Do not use to exhaust hazardous or explosive materials and vapors.
- 2) To reduce the risk of fire, use only metal ductwork. Sufficient air is needed for proper combustion and exhausting of gases through the flue (chimney) to prevent back drafting.
- 3) Follow the heating equipment manufacturer's guideline and safety standards such as those published by the National Fire Protection Association (NFPA), and the American Society for Heating, Refrigeration and Air Conditioning Engineers (ASHRAE), and code authorities.
- 4) Activating any switch on may cause ignition or an explosion.
- 5) Due to the size and weight of this hood, two people installation is recommended.

#### **WARNING**



**ELECTRICAL SHOCK HAZARD – Can result in serious injury or death. Disconnect appliance from electric power before servicing. If equipped, the fluorescent light bulb contains small amounts of mercury, which must be recycled or disposed of according to Local, State, and Federal Codes.**

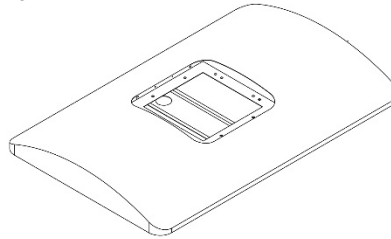
# COMPONENTS OF PACKAGE

(Must keep all material for returns or refunds)

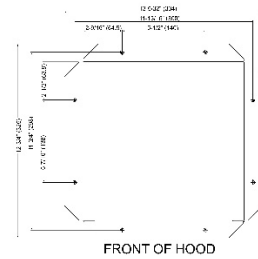
## Range Hood Box (Box 1 of 2)

- {A} KOBE Range Hood
- {B} Mounting Template
- {C} Warranty Registration Card
- {D} Quick Reference Guide
- {E} Baffle Filters x 3
- {F} Screws Package
- {G} Wire Cap x 3

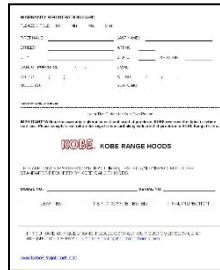
{A}



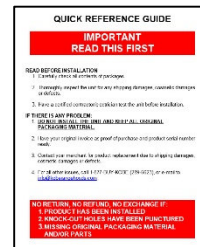
{B}



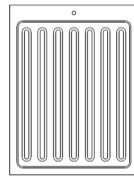
{C}



{D}

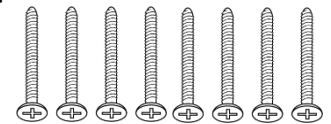


{E}



Knob attached to baffle filter

{F}



M4 x 1-1/2" (8)

{G}

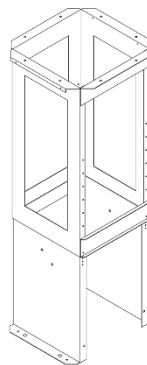


Wire caps (3)

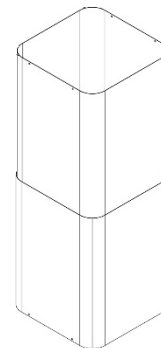
## Duct Cover Box (Box 2 of 2)

- {H} Telescopic Stack
- {I} Two-Piece Duct Cover
- {J} Screw Package

{H}



{I}



{J}



3/16 x 3/8 MM (8)



4 x 8 MM (16)

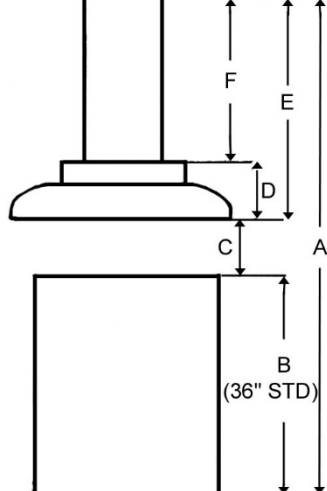
- FOR MORE INFORMATION, PLEASE VISIT OUR WEBSITE [www.koberangehoods.com](http://www.koberangehoods.com) OR CONTACT KOBE RANGE HOODS AT (626) 775-8880.

# INSTALLATION

PLEASE READ ENTIRE INSTRUCTIONS BEFORE PROCEEDING

## Calculation before Installation

To calculate installation, please refer to TABLE 1. (All calculation in inches.)

| <b>TABLE 1</b>  |  |
|---|--|
| <p>A = Height of Floor to Ceiling<br/>B = Height of Floor to Counter Top<br/>(Standard: 36")<br/><b>C = Preferred Height of Counter Top to Hood Bottom (Recommended 30" to 36")</b><br/>D = Height of Hood<br/>E = Height of the Hood Installation<br/>[A - (B+C)]<br/>F = Height of Duct Cover<br/>[E - D]</p> |  <p>The diagram illustrates the installation of a range hood. It shows a side view of the hood mounted above a counter. Dimension lines are used to define the following measurements: A is the total height from the floor to the ceiling; B is the height from the floor to the counter top, with a note '(36" STD)'; C is the height from the counter top to the bottom of the hood; D is the height of the hood itself; E is the total height from the floor to the top of the duct cover; and F is the height of the duct cover above the hood.</p> |



## **SAFETY WARNING**

**HOOD MAY HAVE VERY SHARP EDGES; PLEASE WEAR PROTECTIVE GLOVES IF REMOVING ANY PARTS FOR INSTALLING, CLEANING OR SERVICING.**

**NOTE: BE CAREFUL WHEN USING ELECTRICAL SCREWDRIVER, DAMAGE TO THE HOOD MAY OCCUR.**

## Preparations of Ductwork and Location

NOTE: TO AVOID DAMAGE TO YOUR HOOD, PREVENT DEBRIS FROM ENTERING THE VENT OPENING.

- Decide the location of the venting pipe from the hood to the outside. Refer to Figure 1.
- A straight, short venting run will allow the hood to perform more efficiently.
- Try to avoid as many transitions, elbows, and long run as possible. This may reduce the performance of the hood.
- Temporarily wire the hood to test for proper operation before installing.
- Important: Peel any protective film off the hood
- Use duct tape to seal the joints between pipe sections.

## Telescopic Stack Installation

1. Mark centerlines of cook top or range on ceiling above. Use centerlines marked on ceiling to position the mounting template as shown in Figure 2.
2. Remove and save template. Cut and remove ceiling drywall. Install 2" x 4" cross framing lumber (not provided) between ceiling joists. Refer to Figure 3. Consult a professional if you have difficulty or your installation is unique.
3. Finish the ceiling surface. Be sure to mark the location of the ceiling joists and cross framing, or replace the mounting template in the position of the ceiling joists & cross framing.
4. Attach the telescopic stack to the ceiling and securely fasten to the joists and cross framing with eight screws (provided) as shown in Figure 3. Make sure screws are driven into center of joists and cross framing for maximum support.
5. Adjust the telescopic stack using reference **F** calculated in Table 1 and measurements on page 12. Tighten from the side with four (4x8 mm) screws (provided) as shown in Figure 3.

Figure 1

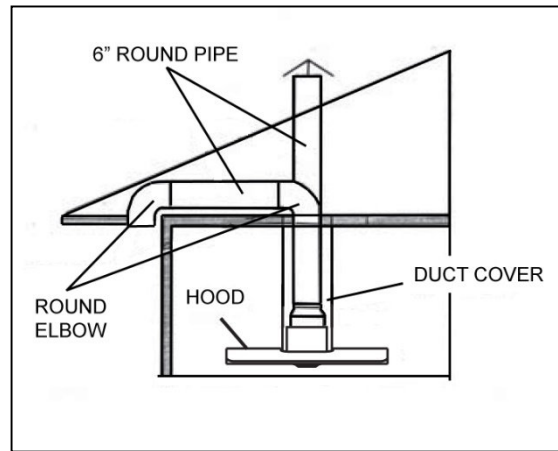
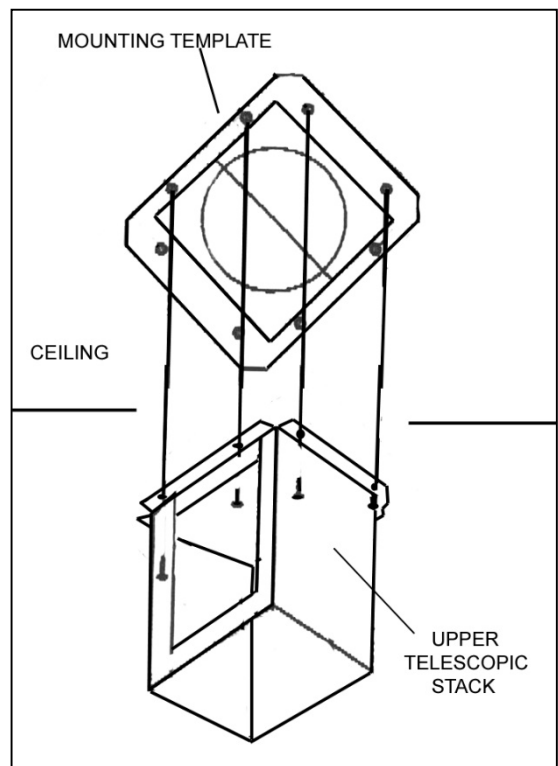


Figure 2





## Wiring to Power Supply

### **⚠ SAFETY WARNING**

**RISK OF ELECTRICAL SHOCK. THIS RANGE HOOD MUST BE PROPERLY GROUNDED. MAKE SURE THIS IS DONE BY A SPECIALIZED ELECTRICIAN IN ACCORDANCE WITH ALL APPLICABLE NATIONAL AND LOCAL ELECTRICAL CODES. BEFORE CONNECTING WIRES, SWITCH POWER OFF AT SERVICE PANEL AND LOCK SERVICE PANEL TO PREVENT POWER FROM BEING SWITCHED ON ACCIDENTALLY.**

6. Connect three wires (black, white and green) to house wires and cap with wire connectors. Connect according to color: black to black, white to white, and green to green.
7. Test the operation of the hood before moving on to next step. Make sure power is supplied to the hood.

## Ductwork Installation

8. Use 6" steel pipe (not provided) to connect the plastic exhaust on the hood to the ductwork above.
9. Use duct tape to make all joints secure and air tight.

## Duct Cover Installation

10. Slide the duct cover up and secure the inner duct cover to the telescopic stack with four (4x8 mm) screws (provided). Refer to Figure 4.

Figure 3

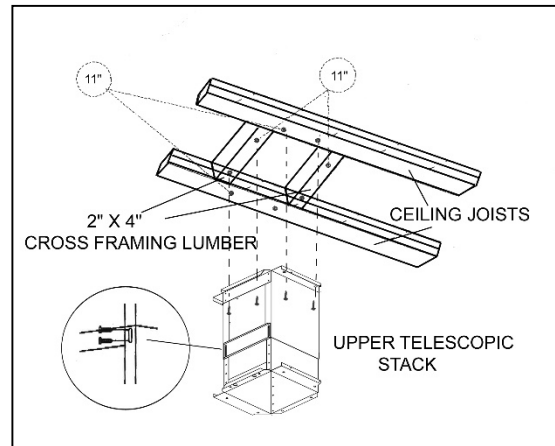
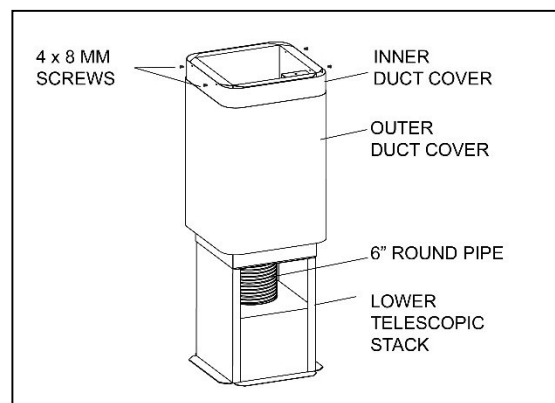


Figure 4



## Hood Installation

11. Place four (4 x 8 mm) temporary screws (provided) to hold the duct cover up. Install the hood as shown in Figure 5.
12. Use eight (3/16x3/8 mm) screws (provided) to secure hood to telescopic stack. Make sure to tighten screws securely. Refer to Figure 5.
13. Connect all the wire connections inside the hood.

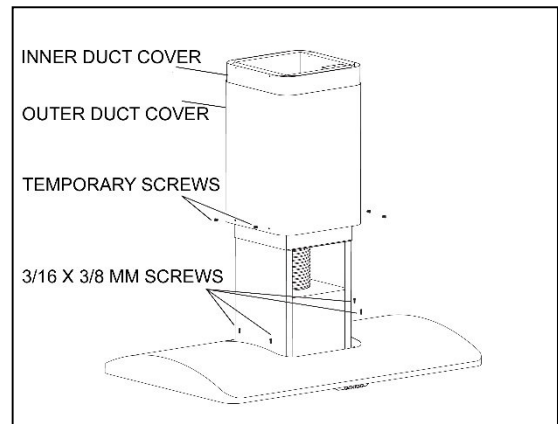
## Install Accessories

14. Place baffle filters underneath the hood

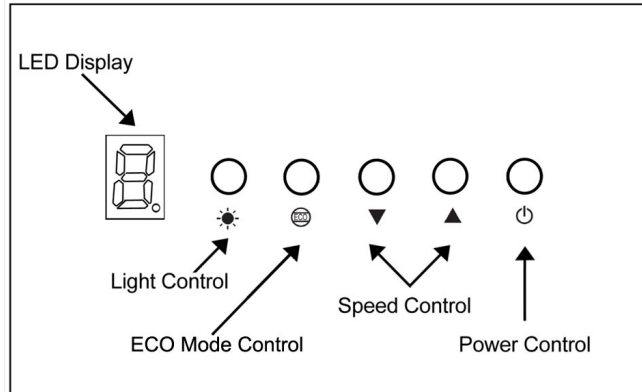
## Final Assembly

15. Remove the temporary screws and slide the outer duct cover downward so that it sits properly on the hood.
16. Turn power ON in control panel. Check all lights and fan operation.
17. Make sure to leave this manual for the homeowner.

Figure 5



# OPERATING INSTRUCTIONS








Note: For best results, turn fan on prior to any preparation or cooking and keep fans running while cooking. Adjust speed as needed.

## **Power Control**

Press Power Control to turn On/Off the range hood.

## **Speed Control**

The fan will start on Speed #3. Press  button to decrease the speed level. Press  button to increase the speed level.

To activate 3-minute delay shutoff, press and hold  button. Once the delay shutoff has been activated the LED Display will flash and fan speed will change to Speed #3. Speed level can be adjusted by pressing  or  button during the 3-minute countdown.

To turn fan off immediately, press  button a second time.

## **Light Control**






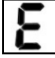
Press  button to turn LED lights ON. Each press of  button will cycle the light intensity through Bright, Medium Bright, Dim, and OFF.


Lights are controlled independently from Power Control and delay shutoff. Turning the power off will not turn lights off.

## **ECO Mode Control**

ECO Mode is set to turn fan on QuietMode™ setting for 10 minutes every hour to remove excess moisture, microscopic particles and odors for better kitchen air quality.

ECO Mode is independent from the Power Control and delay shutoff.

ECO Mode can be activated while fan is running or off. Press and hold  button until  icon briefly appears in the LED Display. While fan is running you can change the speed, use delay shutoff or turn off fan without disabling ECO Mode. When fan is off and ECO Mode has been activated, the  icon will appear in the LED Display. The  icon will flash while ECO Mode is operating on QuietMode™. To deactivate, press and hold  button until  icon no longer appears in the LED Display.

NOTE: Pressing  button while ECO Mode is active will activate the regular fan function and the speed will be displayed in LED Display.

Note: Must open door or windows to create sufficient make-up air when ECO Mode has been activated.

## MAINTENANCE

### **⚠ SAFETY WARNING**

**NEVER PUT YOUR HAND INTO AREA HOUSING THE FAN WHILE THE FAN IS OPERATING.**

#### Cleaning Hood Surface

**⚠ CAUTION:** NEVER USE ABRASIVE CLEANERS, PADS, OR CLOTHS. DO NOT USE PAPER TOWEL ON STAINLESS STEEL.

For optimal operation, clean range hood and all baffle/spacer/filter/oil tunnel/oil container regularly.

\*\*\* Regular care will help preserve the appearance of the hood.

1. Use only mild soap or detergent solutions. Dry surfaces using soft cloth.
2. If hood looks splotchy (stainless steel hood), use a stainless steel cleaner to clean the surface of the hood. Avoid getting cleaning solution onto or into the control panel. Follow directions of the stainless steel cleaner. **Caution: Do not leave on too long as this may cause damage to hood finish.** Use soft towel to wipe off the cleaning solution, gently rub off any stubborn spots. Use dry soft towel to dry the hood.
3. DO NOT allow deposits to accumulate or remain on the hood.
4. DO NOT use ordinary steel wool or steel brushes. Small bits of steel may adhere to the surface and cause rusting.
5. DO NOT allow salt solutions, disinfectants, bleaches, or cleaning compounds to remain in contact with stainless steel for extended periods. Many of these compounds contain chemicals, which may be harmful. Rinse with water after exposure and wipe dry with a clean lint free cloth.

#### For Baffle Filter models only: to Clean Baffle Filter/Oil Tunnel

**CAUTION: DRAIN OIL FROM BAFFLE FILTERS, SPACERS & OIL TUNNEL REGULARLY TO PREVENT OVERFLOW.**

1. Remove all the baffle filters, spacers and oil tunnel.
2. Using a sponge, wash with warm soapy water. Dry completely before returning into place.

**CAUTION: SHARP EDGES**

*(Note: Baffle Filters are top rack dishwasher safe.)*

## SPECIFICATIONS

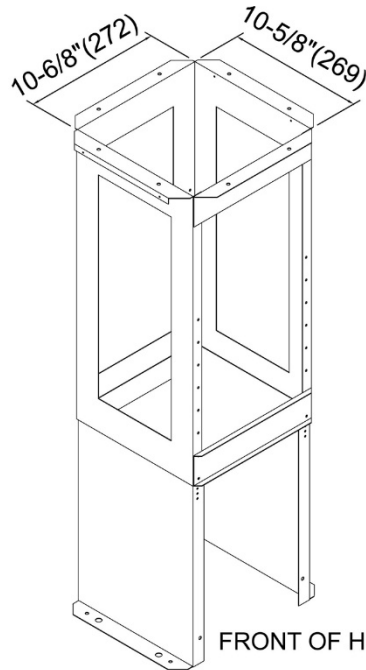
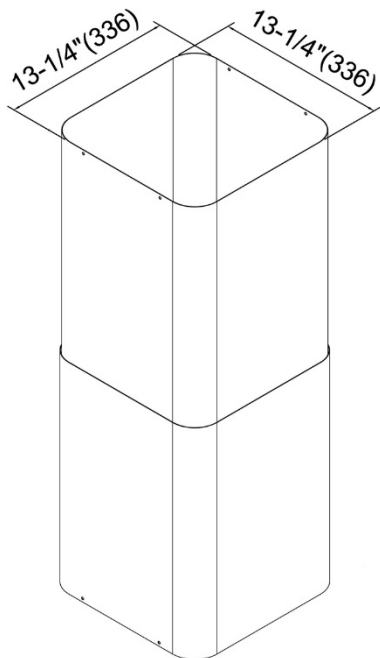
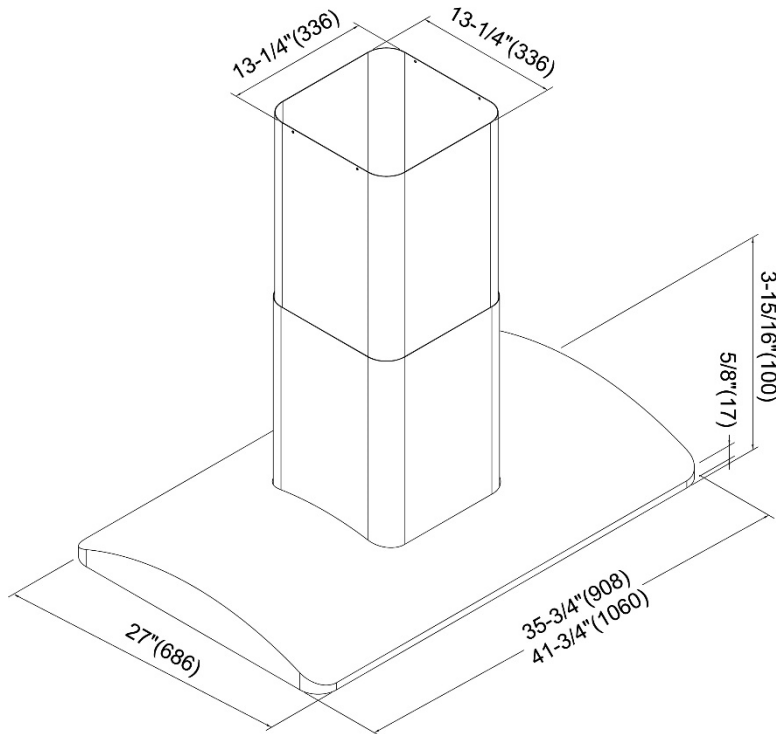
|   |  |  |
|---|--|--|
| <b>MODEL / SIZE</b>                     | <u>For 36" model</u><br>IS2236SQB-DC16-1<br>IS2236SQB-DC22-1<br>IS2236SQB-DC59-1   | <u>For 42" model</u><br>IS2242SQB-DC16-1<br>IS2242SQB-DC22-1<br>IS2242SQB-DC59-1 |
| <b>COLOR</b>                            | Commercial Grade Stainless Steel   |  |
| <b>CONSUMPTION / AMPERE</b>             | 211W / 1.82A   |  |
| <b>VOLTAGE</b>                          | 120V 60Hz  |  |
| <b>NUMBER OF BLOWER</b>                 | 1  |  |
| <b>DESIGN</b>                           | Seamless / Satin Finish  |  |
| <b>FAN TYPE</b>                         | Single Horizontal Squirrel Cage  |  |
| <b>EXHAUST</b>                          | Top 6" Round   |  |
| <b>CONTROLS</b>                         | Electronic Control (5 Buttons) with LED Display –<br>3-Minute Delay Shutoff<br>ECO Mode  |  |
| <b>ECO MODE</b>                         | ECO Mode runs the range hood on the QuietMode™ setting for 10 minutes every hour to remove excess moisture, microscopic particles and odors to promote a cleaner kitchen environment.        |  |
| <b>LIGHTS</b>                           | 3-Level Lighting<br>3-watt LED light x 4   |  |
| <b>HOOD DIMENSION (W x D x H)</b>       | <b>IS2236SQB-DC16-1 / IS2236SQB-DC22-1 / IS2236SQB-DC59-1</b><br>35-3/4" x 27" x 3-15/16"  |  |
|   | <b>IS2242SQB-DC16-1 / IS2242SQB-DC22-1 / IS2242SQB-DC59-1</b><br>41-3/4" x 27" x 3-15/16"  |  |
| <b>DUCT COVER DIMENSION (W x D x H)</b> | <b>IS22DC-16-1</b> 13-1/4" x 13-1/4" x (16-1/8")<br><b>IS22DC-22-1</b> 13-1/4" x 13-1/4" x (min. 22" ~ max. 37-3/8")<br><b>IS22DC-59-1</b> 13-1/4" x 13-1/4" x (min. 33-3/8" ~ max. 58-6/8") |  |
| <b>WEIGHT (lbs)</b>                     |  | Net                      Gross   |
|   | IS2236SQB-1 (BODY)   | 20                      29   |
|   | IS2242SQB-1 (BODY)   | 21                      31   |
|   | IS22DC-16-1 (Duct Cover)   | 31                      36   |
|   | IS22DC-22-1 (Duct Cover)   | 43                      55   |
|   | IS22DC-59-1 (Duct Cover)   | 48                      78   |
| <b>SPEED</b>                            | QuietMode™   | Speed 1    Speed 2    Speed 3    Speed 4    Speed 5                              |
| <b>Air Capacity (cfm)</b>               | 300  | 420      510      590      640      750  |
| <b>Sone*</b>                            | 1.0  | 2.0      3.5      5.0      5.4      6.0  |

\*One sone is equivalent to the sound of a refrigerator at 40 decibels.

\*\*Specifications subject to change without notice.

## MEASUREMENTS & DIAGRAMS

- ◆ All measurements in ( ) are millimeters.
- ◆ All inch measurements are converted from millimeters. Inch measurements are estimated.



IS22DC-16-1

Dimension: 16-1/8" (410) MIN

IS22DC-22-1

Dimension: 37-3/8" (950) MAX.  
22" (559) MIN.

IS22DC-59-1

Dimension: 58-6/8" (1493) MAX.  
33-3/8" (848) MIN

|                  |
|------------------|
| <b>PART LIST</b> |
|------------------|

|                   |                      |                      |
|-------------------|----------------------|----------------------|
| <b>MODEL NO.:</b> | <u>For 36" model</u> | <u>For 42" model</u> |
|                   | IS2236SQB-DC16-1     | IS2242SQB-DC16-1     |
|                   | IS2236SQB-DC22-1     | IS2242SQB-DC22-1     |
|                   | IS2236SQB-DC59-1     | IS2242SQB-DC59-1     |

| <b>BOX 1 of 2</b> |                    |                    |                 |
|-------------------|--------------------|--------------------|-----------------|
| <b>NO.</b>        | <b>DESCRIPTION</b> | <b>MODEL /SIZE</b> | <b>PART NO.</b> |
| 1                 | LED Light (3W)     |                    | L1-0403-0301    |
| 2                 | Control Panel      |                    | L1-0404-6001-A  |
| 3                 | Baffle Filter      |                    | L1-0214-0122    |

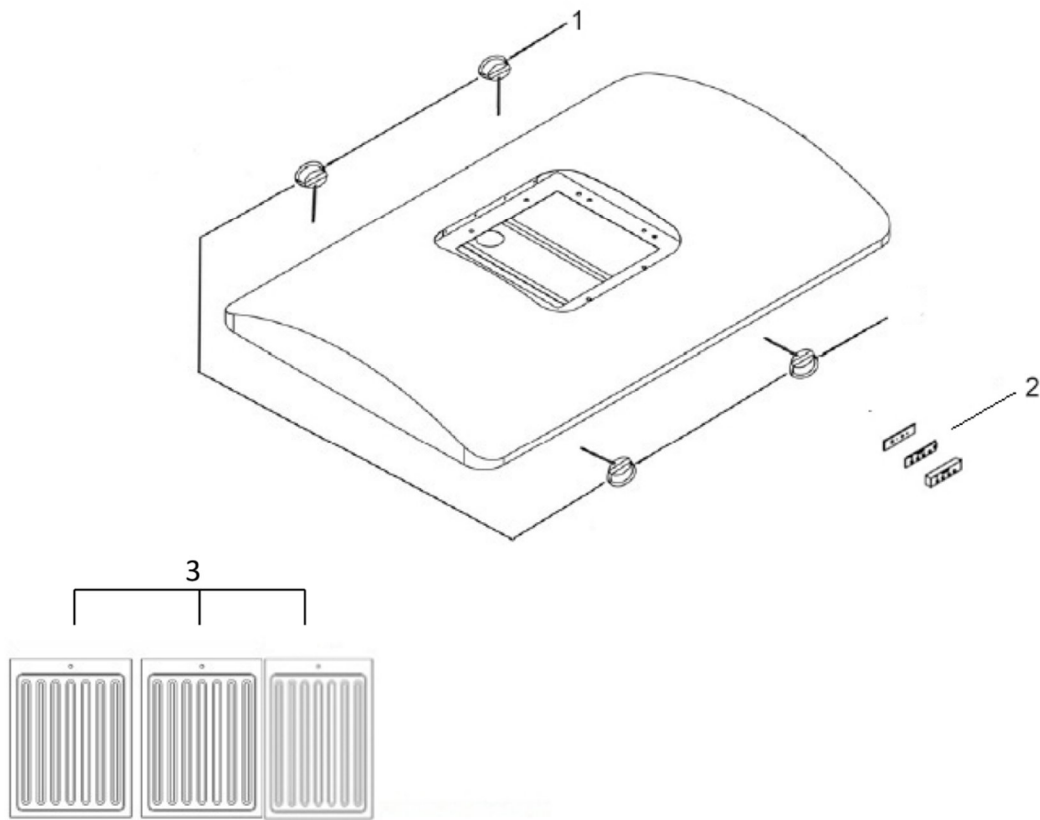
| <b>BOX 2 of 2</b> |  |                    |                    |
|-------------------|--|--------------------|--------------------|
| <b>NO.</b>        | <b>DESCRIPTION</b>                       | <b>MODEL /SIZE</b> | <b>PART NO.</b>    |
| 4                 | 6" Round Plastic Exhaust (pre-installed) |                    | L1-0505-0003       |
| 5                 | Duct Cover                               | IS22DC-22-1        | 12-22360-61        |
| 6                 | Telescopic Stack                         |                    | L1-0203-22360A/B   |
| 7                 | Processor Board                          |                    | L1-0404-6001-B     |
| 8                 | Capacitor x 1PCS                         |                    | L1-0401-0120-12    |
| 9                 | Blower System                            |                    | L1-0302-0120-802RO |
| 10                | Motor Casing                             |                    | L1-0106-22360      |



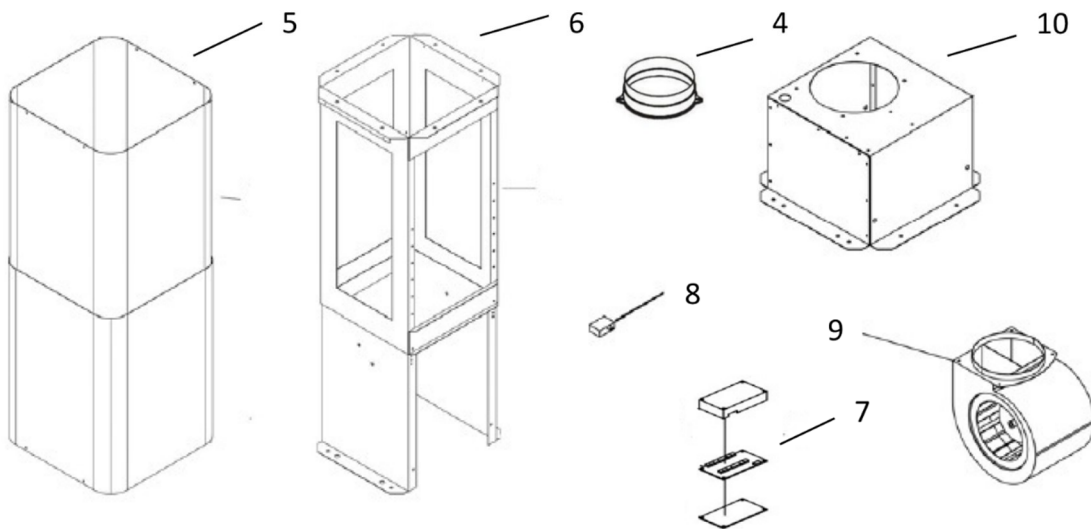
MODEL NO.: For 36" model  
IS2236SQB-DC16-1  
IS2236SQB-DC22-1  
IS2236SQB-DC59-1

For 42" model  
IS2242SQB-DC16-1  
IS2242SQB-DC22-1  
IS2242SQB-DC59-1

Box 1 of 2

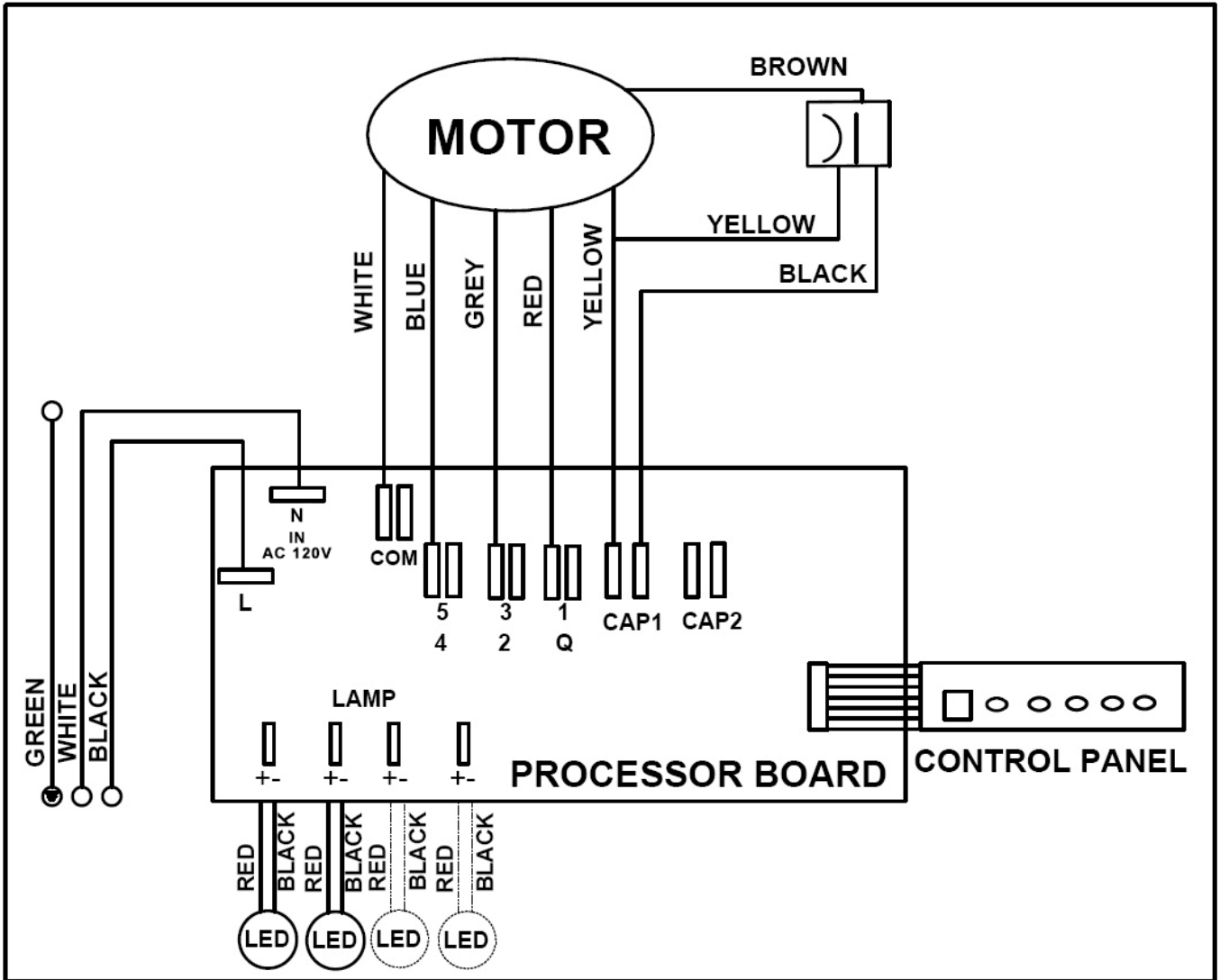


Box 2 of 2



# CIRCUIT DIAGRAM

|            |                      |                      |
|------------|----------------------|----------------------|
| MODEL NO.: | <u>For 36" model</u> | <u>For 42" model</u> |
|            | IS2236SQB-DC16-1     | IS2242SQB-DC16-1     |
|            | IS2236SQB-DC22-1     | IS2242SQB-DC22-1     |
|            | IS2236SQB-DC59-1     | IS2242SQB-DC59-1     |



## TROUBLE SHOOTING

| Issue   | Possible Cause  | Solution  |
|---|---|---|
| After Installation, both motors and lights are not working. | The power is not on.  | Make sure the circuit breaker and the unit's power is ON. Use a voltage meter to check the power supply.  |
|   | The wire connection is not secure.  | Check and tighten wire connection.  |
| Lights are working, but motor(s) is not.                    | The motor(s) is defective.  | Replace the motor.  |
|   | The capacitor(s) is defective.  | Replace capacitor(s).   |
| The range hood is vibrating.                                | The blower system is not secure.  | Tighten the turbine impeller/squirrel cage and air chamber.   |
|   | The turbine impeller/squirrel cage is not balanced.                           | Replace the turbine impeller/squirrel cage.   |
|   | Hood is not secured in place.   | Check the installation of hood, tighten the mounting bracket.   |
| The motor is working, but the lights are not working.       | Light Fixture(s) is defective.  | Replace the Light Fixture(s).   |
|   | The light wiring(s) is loose.   | Check wire continuity from processor board to light transformer to halogen light housing(s).  |
|   | Light transformer is defective.   | Check power input and power output on the light transformer. If it's needed, replace the light transformer.   |
| The range hood is not venting out correctly.                | The range hood is installed outside of the manufacture recommended clearance. | Adjust the clearance between the range hoods and cook top to 27" to 30". For Island range hood, the clearance between the range hoods and cook top is 30" to 36". |
|   | There is no make-up air inside the house.                                     | Open the window to enhance the performance of the range hood by creating a sufficient make-up air.  |
|   | Obstacle blocking the pipe work.  | Remove all obstacles from the duct work.  |
|   | The pipe size is smaller than the suggested pipe size.                        | Change the ducting according to the manufacture suggestion.   |
| Cold air is coming into the home.                           | The pipe connection is not properly sealed.                                   | Check the pipe installation.  |
|   | The damper is not installed.  | By installing the damper, it will help to eliminate air backflow.   |

## WARRANTY

### WARRANTY CERTIFICATE

KOBE Range Hoods (referred to herein as “we” or “us”) warrants to the original purchaser (referred to herein as “you” or “your”) all products manufactured or supplied by us to be free from defect in workmanship and materials as follows:

**TWO-YEAR LIMITED WARRANTY FOR PARTS AND LABOR ON KOBE PREMIUM SERIES:**  
For two years from the date of your original invoice from a KOBE authorized dealer, we will, at our sole discretion, choose to repair or replace the product free of charge that failed due to manufacturing defects.

It is your sole responsibility to ensure the product is readily accessible for the service technician to perform repairs. **The service technician will not, under any circumstance, remove, alter or modify any fixture built around and/or connected to the product to gain access to perform repairs.**

During the two-year Limited Warranty period, additional charges may apply which include but are not limited to:

- Service technician travel charges if the requested service location is 30-miles out of KOBE’s authorized service area
- Parts shipping expenses
- Un-installation of defective product and Installation of replacement product

#### **Warranty Exclusions:**

This warranty does not cover, including but not limited to the following:

- a. Improper installation.
- b. Any repair, alteration, modification not authorized by KOBE.
- c. Duct alteration, modification and connection.
- d. Incorrect electric current, voltage or wiring.
- e. Normal maintenance and service required for the product.
- f. Consumable parts such as light bulbs and carbon filters.
- g. Improper usage of the product that it is not intended for, such as commercial use, outdoor use and multi-family use.
- h. Normal wear and tear.
- i. Chips, scratches or dents by abuse or misuse of the product.
- j. Damages caused by accident, fire, flood and other Acts of God.
- k. Expenses incurred for service located outside of the designated service area.
- l. Purchases from unauthorized dealers.
- m. Removal fees of defective product and Installation fees associated with replacement product.

If we determine that the warranty exclusions listed above apply or if you fail to provide all necessary documentation for warranty service, you will be responsible for all expenses associated with the requested service, including parts, labor, shipping, travelling and any other expense related to the service request.

To qualify for warranty service, you must:

1. Have the **ORIGINAL** proof of purchase
2. Be the **ORIGINAL** purchaser of the product
3. Have the model number
4. Have the serial number
5. Have a description of the nature of any defect in the product or part

**TO REQUEST WARRANTY SERVICE, PLEASE CONTACT THE KOBE RANGE HOODS SERVICE CENTER:**

KOBE SERVICE CENTER (USA ONLY)

Toll Free: 1-855-800-KOBE (5623)

E-mail: [kobe@adcoservice.com](mailto:kobe@adcoservice.com)

For service in Canada and to report a problem, please contact:

Tel: 1-626-775-8880

Email: [customer.service@koberangehoods.com](mailto:customer.service@koberangehoods.com)

## WARRANTY INFORMATION FORM

Fill in the blanks and keep this paper with the **original invoice** in a safe place for future service purpose.

1. Date of purchase : \_\_\_\_\_

2. Model No. : \_\_\_\_\_

3. Serial No. : \_\_\_\_\_

**For warranty service or spare parts purchase contact:**

KOBE Service Center (USA ONLY)

Toll Free: 1-855-800-KOBE (5623)

Email: [kobe@adcoservice.com](mailto:kobe@adcoservice.com)

**For service in Canada and to report a problem, please contact:**

Tel: 1-626-775-8880

Email: [customer.service@koberangehoods.com](mailto:customer.service@koberangehoods.com)

Your notes:

**KOBE**<sup>®</sup>

KOBE Range Hoods  
11775 Clark Street  
Arcadia, CA 91006 USA

[www.koberangehoods.com](http://www.koberangehoods.com)

This KOBE hood is made for use in the USA and CANADA only. We do not recommend using this hood overseas as the power supply may not be compatible and may violate the electrical code of that country. **Using a KOBE hood overseas is at your own risk and will void your warranty.**

Cette hotte KOBE est fabriquée pour usage aux États-Unis et au Canada seulement. Il n'est pas recommandé d'utiliser cette hotte à l'étranger puisque l'alimentation électrique pourrait ne pas être compatible et enfreindre le code de l'électricité de ce pays. **L'usage de la hotte KOBE à l'étranger est à votre propre risque et la garantie sera annulée.**

Esta campana de extracción KOBE ha sido fabricada para ser utilizada únicamente en EE.UU. y CANADÁ. No recomendamos la utilización de esta campana en el extranjero debido a que la fuente de energía podría no ser compatible y podría violar el código eléctrico de dicho país. **Utilizar una campana KOBE en el extranjero será a su propio riesgo y anulará la garantía.**

VER.160501

Information subject to change without notice.