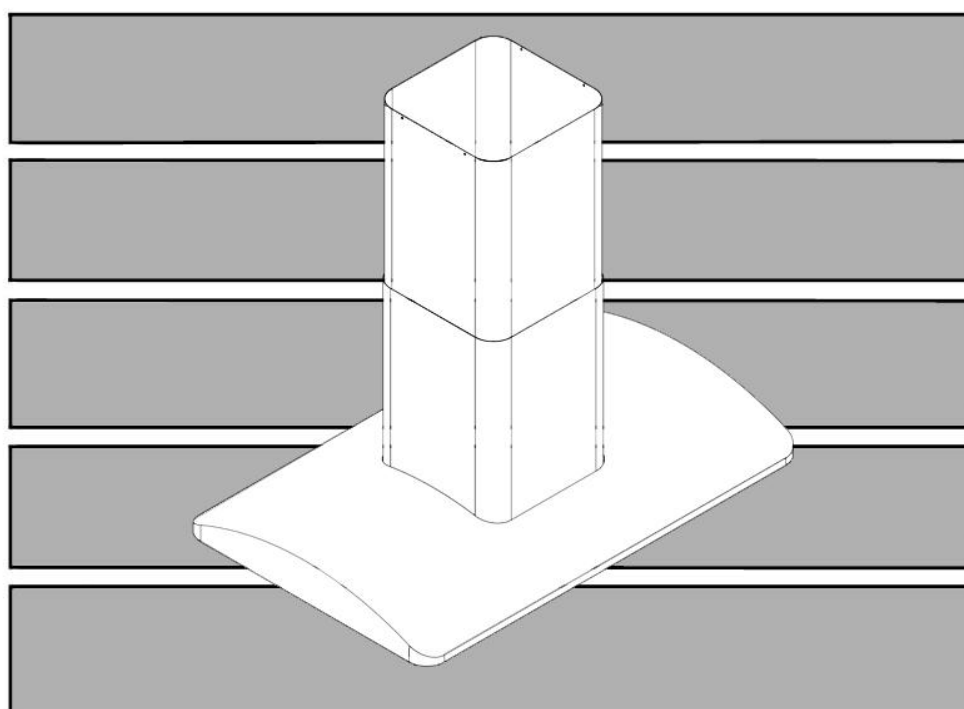


KOBE® **KOBE Brand Range Hood**

Model No. / N^{os} de modèles / Modelo No.

IS2236SQF

IS2242SQF



**INSTALLATION INSTRUCTIONS
AND OPERATION MANUAL**

**MANUEL D'INSTALLATION
ET MODE D'EMPLOI**

**INSTRUCCIONES DE INSTALACIÓN
Y MANUAL DE OPERACIÓN**

[ENGLISH]	1
[FRENCH]	21
[SPANISH]	42

IMPORTANT READ THIS FIRST

READ BEFORE INSTALLATION

1. Carefully check all contents of packages;
2. Thoroughly inspect the unit for any cosmetic damages or defects;
3. Test the unit before installation;
4. Have a certified contractor/electrician do the installation.

IF THERE IS ANY PROBLEM:

1. **DO NOT INSTALL THE UNIT AND KEEP ALL ORIGINAL PACKAGING MATERIAL.**
2. Have your original proof of purchase and product serial number ready.
3. Call 1-877-BUY-KOBE (289-5623); or e-mail to info@koberangehoods.com to report the problem.

NO RETURN, NO REFUND, NO EXCHANGE IF:

1. PRODUCT HAS BEEN INSTALLED
2. KNOCK-OUT HOLES HAVE BEEN PUNCTURED
3. MISSING ORIGINAL PACKAGING MATERIAL AND/OR PARTS

[ENGLISH]

- READ AND SAVE THESE INSTRUCTIONS -

CONTENTS

IMPORTANT SAFETY INSTRUCTIONS	3
COMPONENTS OF PACKAGE.....	5
INSTALLATION.....	6
OPERATING INSTRUCTION.....	10
MAINTENANCE.....	11
SPECIFICATIONS	12
MEASUREMENTS & DIAGRAMS.....	13
PARTS LIST.....	14
CIRCUIT DIAGRAM.....	16
TROUBLE SHOOTING	17
WARRANTY	18
PRODUCT REGISTRATION.....	20

- READ ALL INSTRUCTIONS CAREFULLY BEFORE STARTING -

ALL WIRING MUST BE DONE BY A PROFESSIONAL AND IN ACCORDANCE WITH NATIONAL AND LOCAL ELECTRICAL CODES



IMPORTANT SAFETY INSTRUCTIONS

- PLEASE READ THIS SECTION CAREFULLY BEFORE INSTALLATION -

⚠WARNING: TO REDUCE THE RISK OF FIRE, ELECTRIC SHOCK OR PERSONAL INJURY, OBSERVE THE FOLLOWING:

- 1) Installation and electrical wiring must be done by qualified professionals and in accordance with all applicable codes and standards, including fire-rated construction.
- 2) When cutting or drilling into wall or ceiling, be careful not to damage electrical wiring or other hidden utilities.
- 3) Ducted fans must be vented to the outside.
 - a) Before servicing or cleaning unit, open the light panel and SWITCH POWER OFF AT SERVICE PANEL.
 - b) Clean all grease laden surfaces frequently. To reduce the risk of fire and to disperse air properly, make sure to vent air outside. DO NOT vent exhaust air into wall spaces, attics, crawl spaces or garages.

NOTE - This warranty is invalid without an authorized agent's receipt or if unit is damaged due to misuse, poor installation, improper use, mistreatment, negligence or any other circumstances beyond the control of KOBE RANGE HOODS authorized agents. Any repair carried out without the supervision of KOBE RANGE HOODS authorized agents will automatically void the warranty.

- KOBE RANGE HOODS will not be held responsible for any damages to personal property or real estate or any bodily injuries whether caused directly or indirectly by the range hood.

⚠WARNING: TO REDUCE THE RISK OF PERSONAL INJURY IN THE EVENT OF A RANGE TOP GREASE FIRE:

- Keep all fan, baffle/spacer/filter/oil tunnel/oil container and grease-laden surfaces clean. Grease should not be allowed to accumulate on fan, baffle/spacer/filter/oil tunnel/oil container.
- Always turn hood ON when cooking.
- Use high settings on cooking range ONLY when necessary.
- Do not leave cooking range unattended when cooking.
- Always use cookware and utensils appropriate for the type and amount of food prepared.
- Use this unit only in the manner intended by the manufacturer.
- Before servicing, switch power off at service panel and lock service panel (if possible) to prevent power from switching on accidentally.
- Clean ventilating fan frequently.

What to Do In The Event Of a Range Top Grease Fire

- SMOTHER FLAMES with a tight fitting lid, cookie sheet, or metal tray, and then turn off the burner. KEEP FLAMMABLE OR COMBUSTIBLE MATERIAL AWAY FROM FLAMES. If the flames do not go out immediately, EVACUATE THE AREA AND CALL THE FIRE DEPARTMENT or 911.
- NEVER PICK UP A BURNING PAN – You May Get Burned.
- DO NOT USE WATER, including wet dishcloths or towels – a violent steam blast will result.
- Use an extinguisher ONLY if:
 - a) You have a Class A, B, C extinguisher and know how to operate it.
 - b) The fire is small and contained in the area where it started.
 - c) The fire department has been called.
 - d) You can fight the fire with your back to an exit.

What to Do If You Smell Gas

- Extinguish any open flame.
- Do not try to turn on the lights or any type of appliance.
- Open all doors and windows to disperse the gas. If you still smell gas, call the Gas Company and Fire Department right away.

⚠ CAUTION

- 1) For general ventilation use only. Do not use to exhaust hazardous or explosive materials and vapors.
- 2) To reduce the risk of fire, use only metal ductwork. Sufficient air is needed for proper combustion and exhausting of gases through the flue (chimney) to prevent back drafting.
- 3) Follow the heating equipment manufacturer's guideline and safety standards such as those published by the National Fire Protection Association (NFPA), and the American Society for Heating, Refrigeration and Air Conditioning Engineers (ASHRAE), and code authorities.
- 4) Activating any switch on may cause ignition or an explosion.
- 5) Due to the size and weight of this hood, two people installation is recommended.

⚠ WARNING



ELECTRICAL SHOCK HAZARD – Can result in serious injury or death. Disconnect appliance from electric power before servicing. If equipped, the fluorescent light bulb contains small amounts of mercury, which must be recycled or disposed of according to Local, State, and Federal Codes.

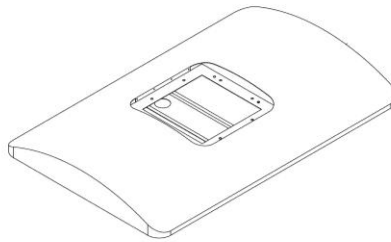
COMPONENTS OF PACKAGE

(Must keep all material for returns or refunds)

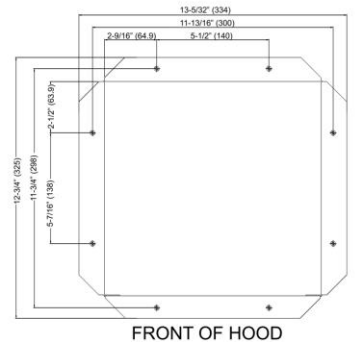
Range Hood Box (Box 1 of 2)

- {A} KOBE Range Hood – 1
- {B} Mounting Template – 1
- {C} Warranty Registration Card - 1
- {D} Instructions Manual – 1
- {E} Aluminum Filters – 4
- {F} Screws Package – 1

{A}



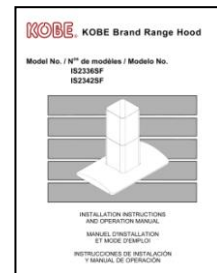
{B}



{C}



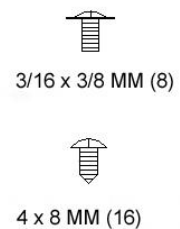
{D}



{E}



{F}

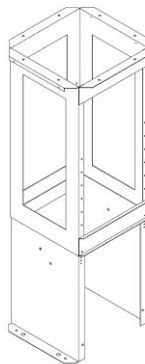


Duct Cover Box (Box 2 of 2)

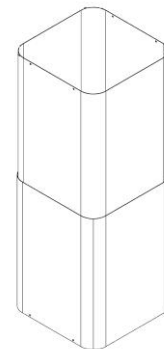
BOX 2

- {G} Telescopic Stack – 1
- {H} Two-Piece Duct Cover – 1

{G}



{H}



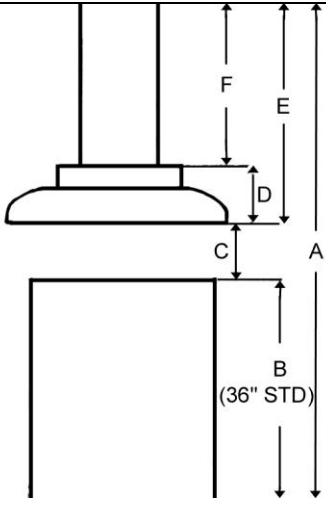
- FOR MORE INFORMATION, PLEASE VISIT OUR WEBSITE www.KOBERangeHoods.com OR CONTACT KOBE RANGE HOODS AT (626) 775-8880.

INSTALLATION

PLEASE READ ENTIRE INSTRUCTIONS BEFORE PROCEEDING

Calculation before Installation

To calculate installation, please refer to TABLE 1. (All calculation in inches.)

TABLE 1 A = Height of Floor to Ceiling B = Height of Floor to Counter Top (Standard: 36") C = Preferred Height of Counter Top to Hood Bottom (Recommended 30" to 36") D = Height of Hood E = Height of the Hood Installation [A - (B+C)] F = Height of Duct Cover [E - D]	
----------------------------------------------------------------------------------------------------------------------------------------------------------------------------------------------------------------------------------------------------------------------------------------------------------------------------	------------------------------------------------------------------------------------



SAFETY WARNING

HOOD MAY HAVE VERY SHARP EDGES; PLEASE WEAR PROTECTIVE GLOVES IF REMOVING ANY PARTS FOR INSTALLING, CLEANING OR SERVICING.

NOTE: BE CAREFUL WHEN USING ELECTRICAL SCREWDRIVER, DAMAGE TO THE HOOD MAY OCCUR.

Preparations of Ductwork and Location

NOTE: TO AVOID DAMAGE TO YOUR HOOD, PREVENT DEBRIS FROM ENTERING THE VENT OPENING.

- Decide the location of the venting pipe from the hood to the outside. Refer to Figure 1.
- A straight, short venting run will allow the hood to perform more efficiently.
- Try to avoid as many transitions, elbows, and long run as possible. This may reduce the performance of the hood.
- Temporarily wire the hood to test for proper operation before installing.
- Important: Peel any protective film off the hood
- Use duct tape to seal the joints between pipe sections.

Telescopic Stack Installation

1. Mark centerlines of cook top or range on ceiling above. Use centerlines marked on ceiling to position the mounting template as shown in Figure 2.
2. Remove and save template. Cut and remove ceiling drywall. Install 2" x 4" cross framing lumber (not provided) between ceiling joists. Refer to Figure 3. Consult a professional if you have difficulty or your installation is unique.
3. Finish the ceiling surface. Be sure to mark the location of the ceiling joists and cross framing, or replace the mounting template in the position of the ceiling joists & cross framing.
4. Attach the telescopic stack to the ceiling and securely fasten to the joists and cross framing with eight screws (not provided) as shown in Figure 3. Make sure screws are driven into center of joists and cross framing for maximum support.
5. Adjust the telescopic stack using reference **F** calculated in Table 1 and measurements on page 12. Tighten from the side with four (4x8 mm) screws (provided) as shown in Figure 3.

Figure 1

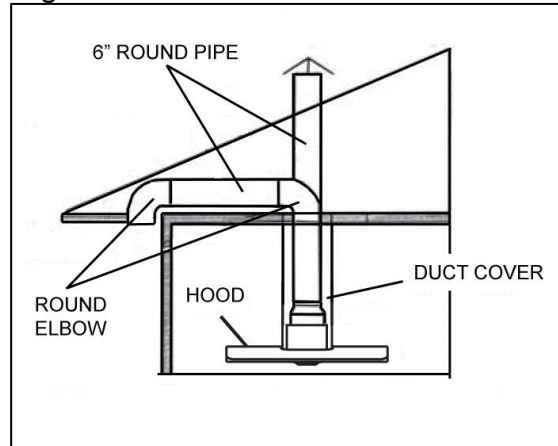


Figure 2

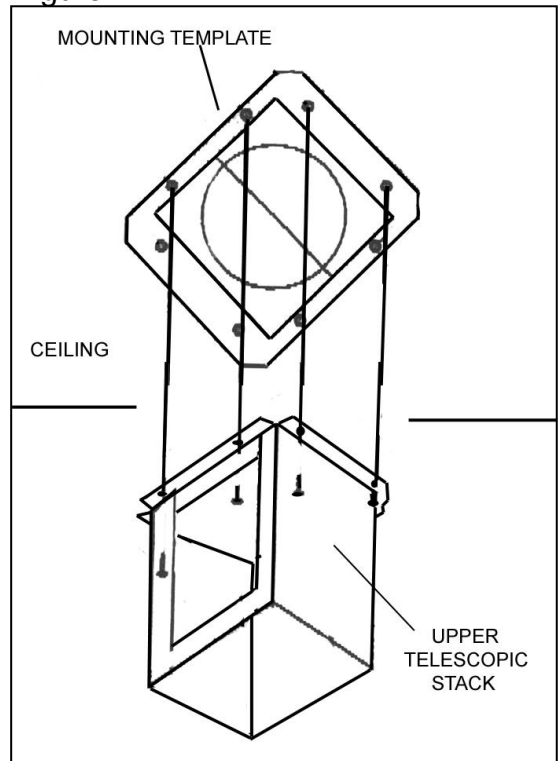
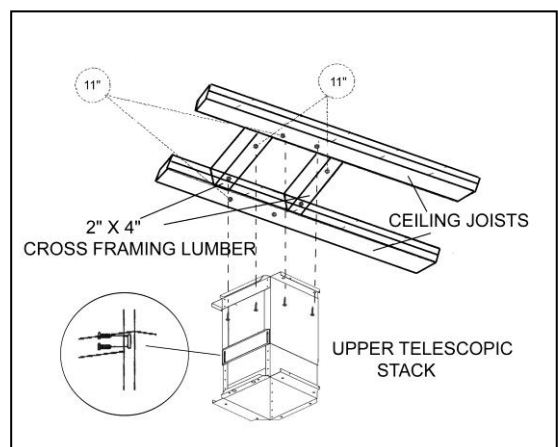


Figure 3



Wiring to Power Supply

SAFETY WARNING

RISK OF ELECTRICAL SHOCK. THIS RANGE HOOD MUST BE PROPERLY GROUNDED. MAKE SURE THIS IS DONE BY A SPECIALIZED ELECTRICIAN IN ACCORDANCE WITH ALL APPLICABLE NATIONAL AND LOCAL ELECTRICAL CODES. BEFORE CONNECTING WIRES, SWITCH POWER OFF AT SERVICE PANEL AND LOCK SERVICE PANEL TO PREVENT POWER FROM BEING SWITCHED ON ACCIDENTALLY.

6. Connect three wires (black, white and green) to house wires and cap with wire connectors. Connect according to color: black to black, white to white, and green to green.
7. Test the operation of the hood before moving on to next step. Make sure power is supplied to the hood.

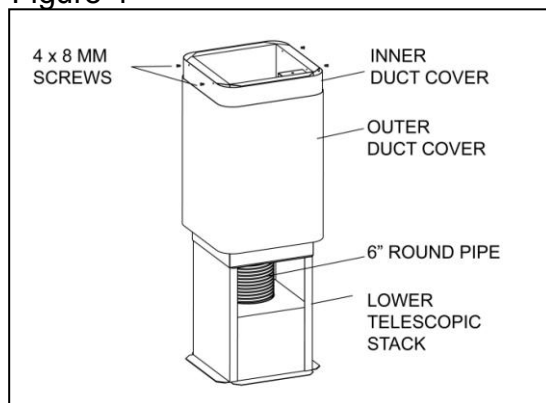
Ductwork Installation

8. Use 6" steel pipe (not provided) to connect the plastic exhaust on the hood to the ductwork above.
9. Use duct tape to make all joints secure and air tight.

Duct Cover Installation

10. Slide the duct cover up and secure the inner duct cover to the telescopic stack with four (4x8 mm) screws (provided). Refer to Figure 4.

Figure 4



Hood Installation

11. Place four (4 x 8 mm) temporary screws (provided) to hold the duct cover up. Install the hood as shown in Figure 5.
12. Use eight (3/16x3/8 mm) screws (provided) to secure hood to telescopic stack. Make sure to tighten screws securely. Refer to Figure 5.
13. Connect all the wire connections inside the hood.

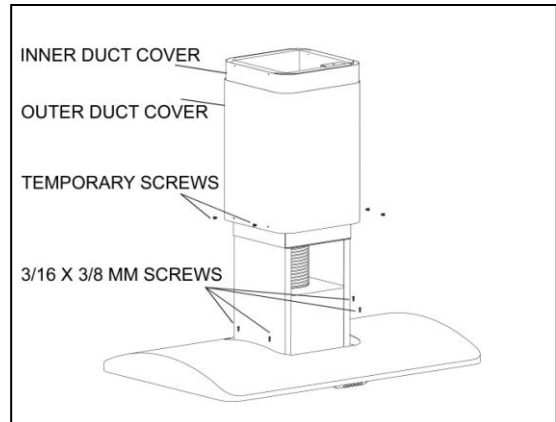
Install Accessories

14. Place aluminum filters underneath the hood

Final Assembly

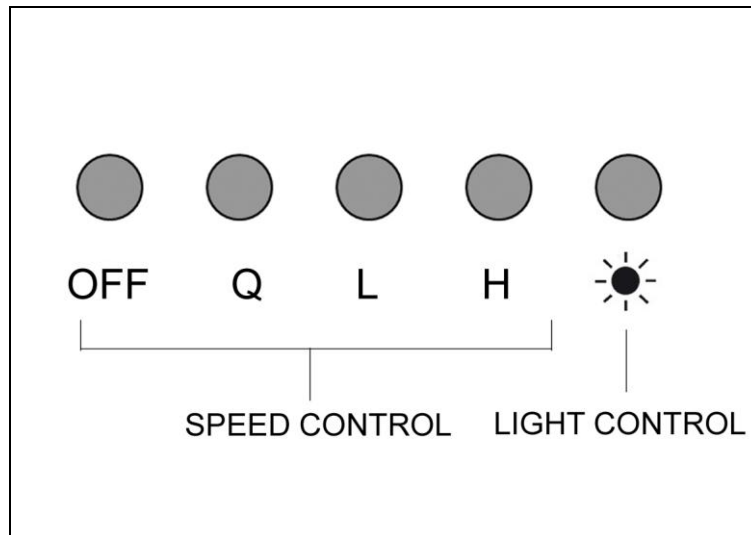
15. Remove the temporary screws and slide the outer duct cover downward so that it sits properly on the hood.
16. Turn power ON in control panel. Check all lights and fan operation.
17. Make sure to leave this manual for the homeowner.

Figure 5



OPERATING INSTRUCTION

Figure 6



To operate the fan function

- Press button to choose from speed.
 - Q= QuietMode™ speed
 - L = Low speed
 - H = High speed
- Press “OFF” to turn fan off.

To operate the light function

- Press the Light Control to turn lights on and off.

MAINTENANCE

SAFETY WARNING

NEVER PUT YOUR HAND INTO AREA HOUSING THE FAN WHILE THE FAN IS OPERATING.

Cleaning Hood Surface

 **CAUTION:** NEVER USE ABRASIVE CLEANERS, PADS, OR CLOTHS. DO NOT USE PAPER TOWEL ON STAINLESS STEEL.

For optimal operation, clean range hood and all baffle/spacer/filter/oil tunnel/oil container regularly.

*** Regular care will help preserve the appearance of the hood.

1. Use only mild soap or detergent solutions. Dry surfaces using soft cloth.
2. If hood looks splotchy (stainless steel hood), use a stainless steel cleaner to clean the surface of the hood. Avoid getting cleaning solution onto or into the control panel. Follow directions of the stainless steel cleaner. **Caution: Do not leave on too long as this may cause damage to hood finish.** Use soft towel to wipe off the cleaning solution, gently rub off any stubborn spots. Use dry soft towel to dry the hood.
3. DO NOT allow deposits to accumulate or remain on the hood.
4. DO NOT use ordinary steel wool or steel brushes. Small bits of steel may adhere to the surface and cause rusting.
5. DO NOT allow salt solutions, disinfectants, bleaches, or cleaning compounds to remain in contact with stainless steel for extended periods. Many of these compounds contain chemicals, which may be harmful. Rinse with water after exposure and wipe dry with a clean lint free cloth.

To Clean Aluminum Filters

1. Remove all the aluminum filters.
2. Wash with warm soapy water. Dry completely before returning into place.

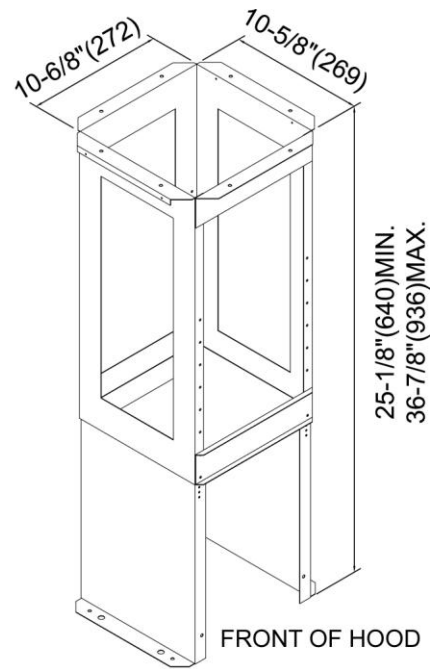
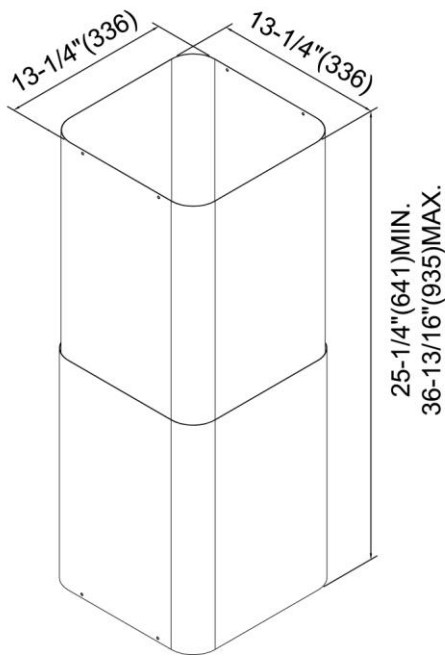
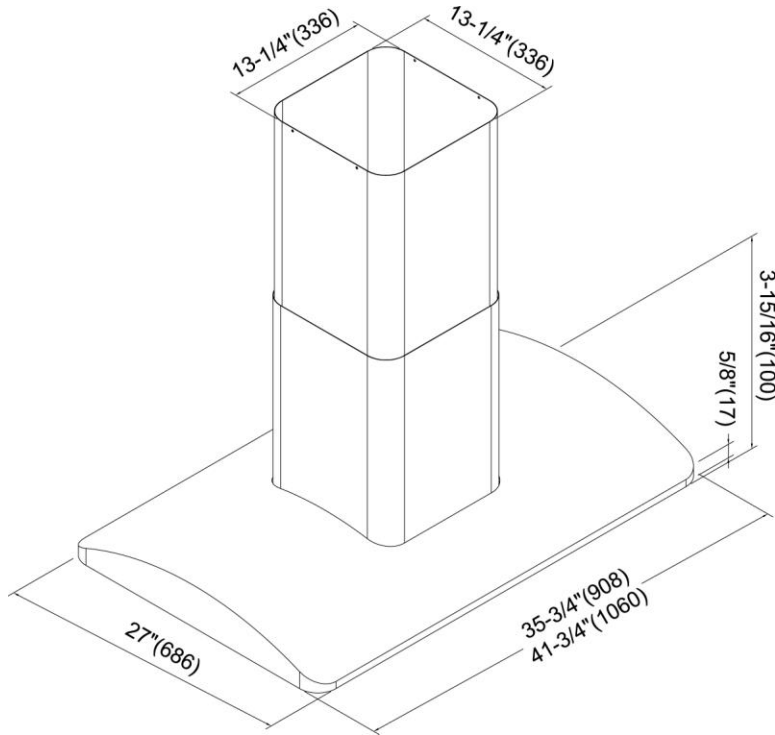
SPECIFICATIONS

MODEL / SIZE	IS2236SQF / 36" IS2242SQF / 42"		
COLOR	Commercial Grade Stainless Steel		
CONSUMPTION / AMPERE	211 W / 1.82 A		
VOLTAGE	120V 60Hz		
NUMBER OF MOTORS	1		
DESIGN	Seamless / Satin Finish		
FAN TYPE	Double Horizontal Squirrel Cage		
EXHAUST	Top 6" Round		
CONTROLS	Mechanical Push Button		
LIGHTS	LED 3 W x 4		
HOOD DIMENSION (W x D x H)	(IS2236SQF) - 35-3/4" x 27" x 3-15/16" (IS2242SQF) - 41-3/4" x 27" x 3-15/16"		
DUCT COVER DIMENSION (W x D x H)	Two-Piece Adjustable Duct Cover (IS22DC) - 13-1/4" x 13-1/4" x (23-3/8" ~ 37-3/4")		
WEIGHT (lbs)		Net	Gross
	(IS2236SQF)	20	29
	(IS2242SQF)	21	31
	(IS22DC)	43	55
SPEED	Quietmode™	Low	High
Air Capacity (cfm)	280	480	700
Sone*	1.3	2.8	4.8

*Specifications subject to change without notice.

MEASUREMENTS & DIAGRAMS

- ◆ All measurements in () are millimeters.
- ◆ All inch measurements are converted from millimeters. Inch measurements are estimated.



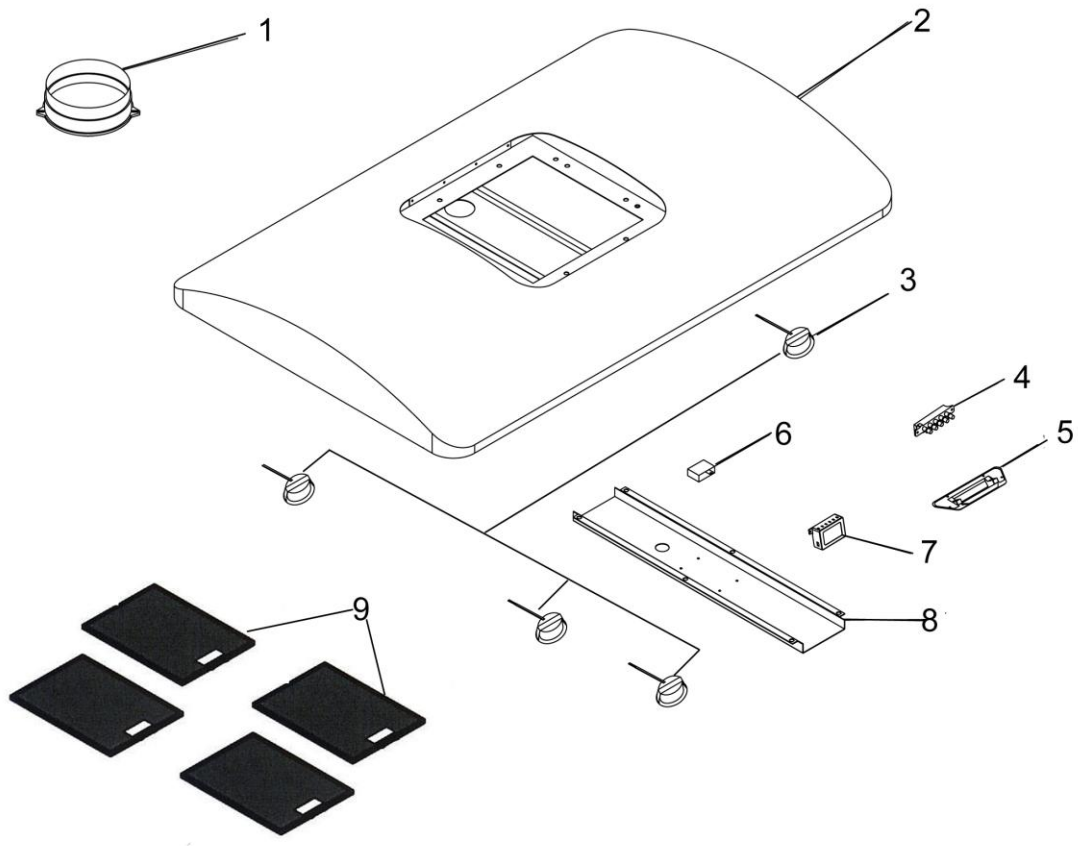
PARTS LIST

MODEL NO.: IS2236SQF
IS2242SQF

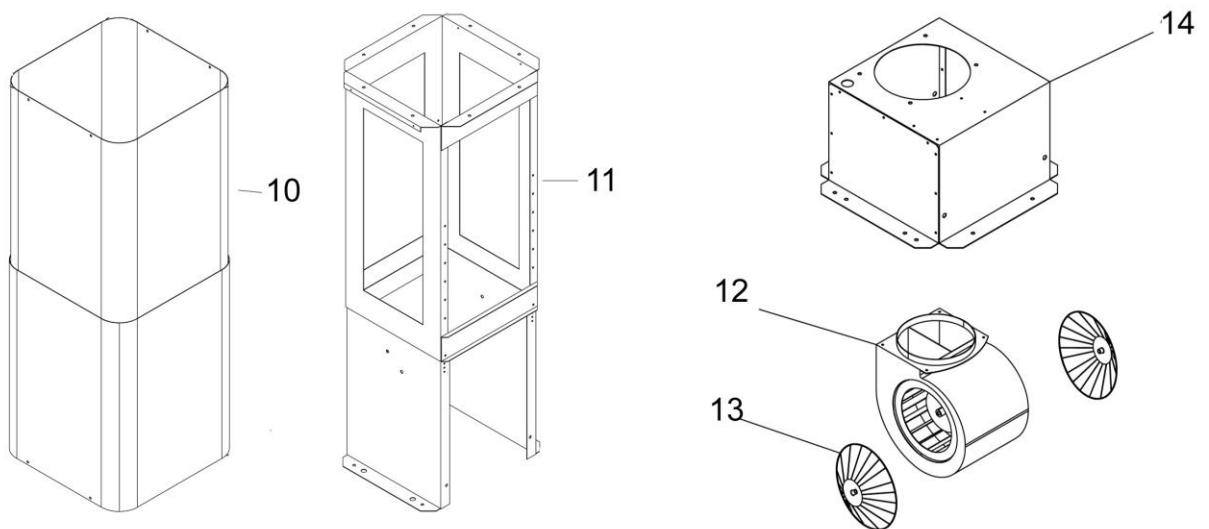
BOX 1 of 2			
NO.	DESCRIPTION	MODEL /SIZE	PART NO.
1	6" round Plastic Exhaust		C1-0505-0001
2	Hood Casing	IS2236SQF	B101-6036-02
		IS2242SQF	B101-6042-02
3	LED Light		C1-0403-0306
4	Control Unit		C1-0405-0303
5	Control Unit Support		C1-0207-6200
6	Capacitor		C1-0401-A350-035
7	Light Transformer		C1-0402-D001
8	Light Panel		B101-0636-04B
9	Aluminum Filters	IS2236SQF	C1-0604-0105
		IS2242SQF	C1-0604-0107

BOX 2 of 2			
NO.	DESCRIPTION	MODEL /SIZE	PART NO.
10	Duct Cover		B102-6000-36A/B
11	Telescopic Stack		C1-0203-600-36A/B
12	Air Chamber & Motor		C1-0302-A120-09
13	Safety Screen		C1-0602-0103
14	Motor Casing		C1-0106-6000-A/B

Box 1 of 2

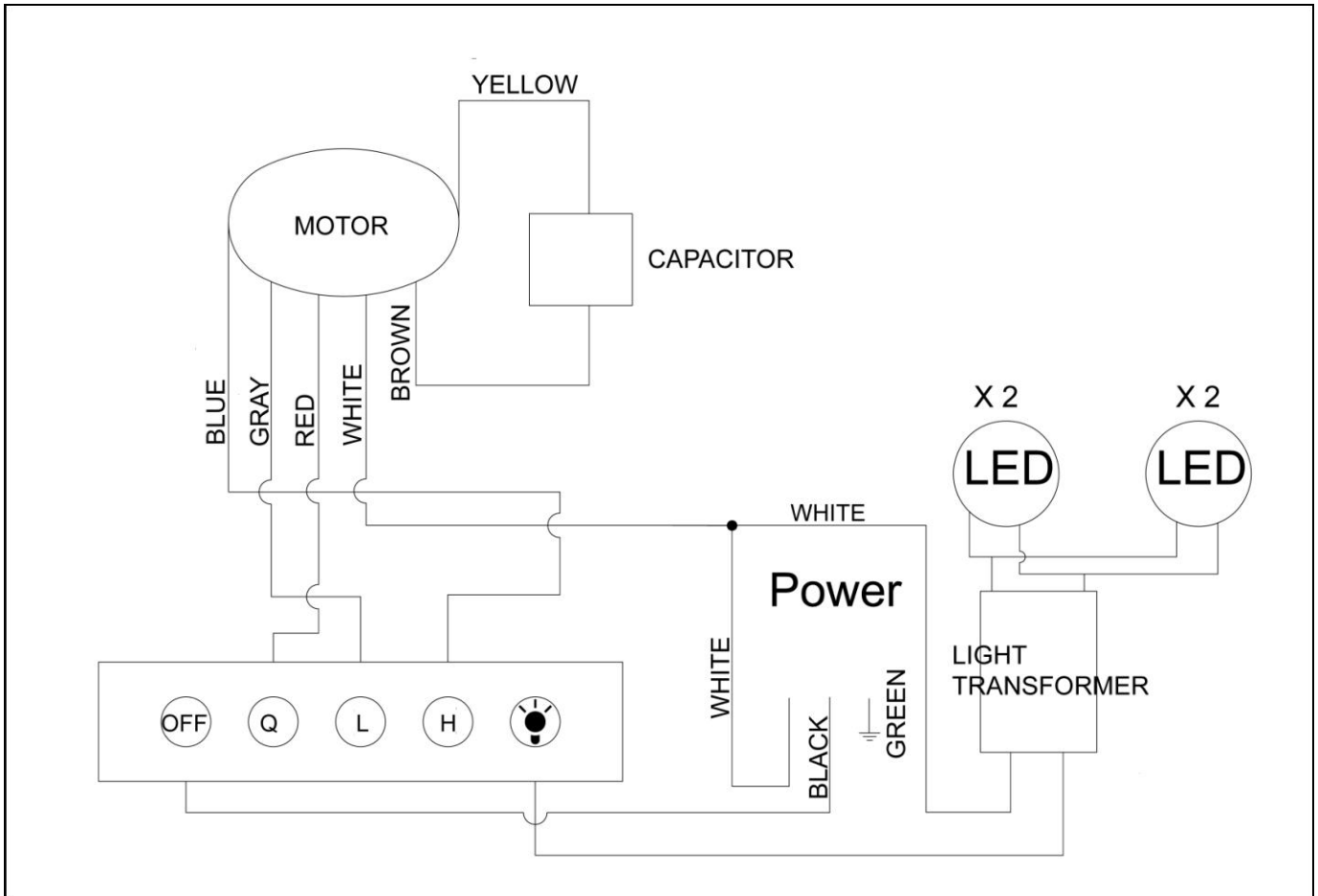


Box 2 of 2



CIRCUIT DIAGRAM

MODEL NO.: IS2236SQF
IS2242SQF



TROUBLE SHOOTING

Issue	Possible Cause	Solution
After Installation, both motors and lights are not working.	The power is not on.	Make sure the circuit breaker and the unit's power is ON. Use a voltage meter to check the power supply.
	The wire connection is not secure.	Check and tighten wire connection.
Lights are working, but motor(s) is not.	The motor(s) is defective.	Replace the motor.
	The capacitor(s) is defective.	Replace capacitor(s).
The range hood is vibrating.	The blower system is not secure.	Tighten the turbine impeller/squirrel cage and air chamber.
	The turbine impeller/squirrel cage is not balanced.	Replace the turbine impeller/squirrel cage.
	Hood is not secured in place.	Check the installation of hood, tighten the mounting bracket.
The motor is working, but the lights are not working.	Light Fixture(s) is defective.	Replace the Light Fixture(s).
	The light wiring(s) is loose.	Check wire continuity from processor board to light transformer to halogen light housing(s).
	Light transformer is defective.	Check power input and power output on the light transformer. If it's needed, replace the light transformer.
The range hood is not venting out correctly.	The range hood is installed outside of the manufacture recommended clearance.	Adjust the clearance between the range hoods and cook top to 27" to 30". For Island range hood, the clearance between the range hoods and cook top is 30" to 36".
	There is no make-up air inside the house.	Open the window to enhance the performance of the range hood by creating a sufficient make-up air.
	Obstacle blocking the pipe work.	Remove all obstacles from the duct work.
	The pipe size is smaller than the suggested pipe size.	Change the ducting according to the manufacture suggestion.
Cold air is coming into the home.	The pipe connection is not properly sealed.	Check the pipe installation.
	The damper is not installed.	By installing the damper, it will help to eliminate air backflow.

WARRANTY

WARRANTY CERTIFICATE

KOBE Range Hoods (referred to herein as “we” or “us”) warrants to the original purchaser (referred to herein as “you” or “your”) all products manufactured or supplied by us to be free from defect in workmanship and materials as follows:

TWO-YEAR LIMITED WARRANTY FOR PARTS AND LABOR ON KOBE PREMIUM SERIES:

For two years from the date of your original invoice from a KOBE authorized dealer, we will, at our sole discretion, choose to repair or replace the product free of charge that failed due to manufacturing defects.

It is your sole responsibility to ensure the product is readily accessible for the service technician to perform repairs. **The service technician will not, under any circumstance, remove, alter or modify any fixture built around and/or connected to the product to gain access to perform repairs.**

During the two-year Limited Warranty period, additional charges may apply which include but are not limited to:

- Service technician travel charges if the requested service location is 30-miles out of KOBE’s authorized service area
- Parts shipping expenses
- Un-installation of defective product and Installation of replacement product

ONE-YEAR LIMITED WARRANTY FOR PARTS ON KOBE BRILLIA SERIES:

For one year from the date of your original invoice from a KOBE authorized dealer, we will provide, free of charge, parts to replace those that failed due to manufacturing defects. It is our sole discretion to choose to repair or replace defective parts. It is your sole responsibility for all labor costs associated with this warranty.

Warranty Exclusions:

This warranty does not cover, including but not limited to the following:

- a. Improper installation.
- b. Any repair, alteration, modification not authorized by KOBE.
- c. Duct alteration, modification and connection.
- d. Incorrect electric current, voltage or wiring.
- e. Normal maintenance and service required for the product.
- f. Consumable parts such as light bulbs and carbon filters.
- g. Improper usage of the product that it is not intended for, such as commercial use, outdoor use and multi-family use.
- h. Normal wear and tear.
- i. Chips, scratches or dents by abuse or misuse of the product.
- j. Damages caused by accident, fire, flood and other Acts of God.
- k. Expenses incurred for service located outside of the designated service area.
- l. Purchases from unauthorized dealers.
- m. Removal fees of defective product and Installation fees associated with replacement product.

If we determine that the warranty exclusions listed above apply or if you fail to provide all necessary documentation for warranty service, you will be responsible for all expenses associated with the requested service, including parts, labor, shipping, travelling and any other expense related to the service request.

To qualify for warranty service, you must:

1. Have the **ORIGINAL** proof of purchase
2. Be the **ORIGINAL** purchaser of the product
3. Have the model number
4. Have the serial number
5. Have a description of the nature of any defect in the product or part

TO REQUEST WARRANTY SERVICE, PLEASE CONTACT THE KOBE RANGE HOODS SERVICE CENTER:

KOBE SERVICE CENTER

Tel: 1-855-800-KOBE (5623)

E-mail: kobe@adcoservice.com

WARRANTY INFORMATION FORM

Fill in the blanks and keep this paper with the **original invoice** in a safe place for future service purpose.

1. Date of purchase : _____

2. Model No. : _____

3. Serial No. : _____

For warranty service or spare parts purchase contact:

KOBE Service Center

Toll Free: 1-855-800-KOBE (5623)

Email: kobe@adcoservice.com

To report a problem, please contact:

Toll Free: 1-877-BUY-KOBE (289-5623)

Email: customer.service@koberangehoods.com

For product information contact:

Toll free: 1-877-BUY-KOBE (289-5623)

Email: info@koberangehoods.com

Your notes:

[Français]

IMPORTANT ! LISEZ CECI EN PREMIER LIEU.

LISEZ CECI AVANT L'INSTALLATION

1. Vérifiez soigneusement tous les contenus des emballages;
2. Inspectez soigneusement l'appareil pour tous dommages ou défauts cosmétiques;
3. Tester l'appareil avant l'installation;
4. Engagez un entrepreneur/électricien certifié pour procéder à l'installation.

EN CAS DE PROBLEME:

1. **N'INSTALLEZ PAS L'APPAREIL ET CONSERVER LE CONTENU DE L'EMBALLAGE D'ORIGINE.**
2. Ayez votre preuve d'achat originale et le numéro de série du produit.
3. Appelez au 1-877-BUY-KOBE (289-5623) ou contactez-nous par courriel à info@koberangehoods.com pour signaler le problème.

PAS DE RETOUR, DE REMBOURSEMENT, NI D'EXCHANGE SI:

1. Le produit a été installé
2. Les trous prédécoupés ont été perforés
3. Contenus et/ou pièces de l'emballage d'origine manquent

[FRENCH]

LIRE ET CONSERVER CES INSTRUCTIONS

TABLE DES MATIÈRES

CONSIGNES DE SÉCURITÉ IMPORTANTES	24
CONTENU DE L'EMBALLAGE	26
INSTALLATION.....	27
MODE D'EMPLOI.....	31
ENTRETIEN PRÉVENTIF	32
SPÉCIFICATIONS	33
MESURES ET SCHÉMAS	34
LISTE DES PIÈCES.....	35
SCHÉMA DE CÂBLAGE	37
TROUBLE SHOOTING	38
GARANTIE.....	39
ENREGISTREMENT DU PRODUIT	41

- LIRE ATTENTIVEMENT TOUTES LES CONSIGNES AVANT DE
COMMENCER -

TOUT LE CÂBLAGE ÉLECTRIQUE DOIT ÊTRE EFFECTUÉ PAR UN PROFESSIONNEL
EN CONFORMITÉ AVEC LES CODES D'ÉLECTRICITÉ LOCAUX ET NATIONAUX



CONSIGNES DE SÉCURITÉ IMPORTANTES

- SVP LIRE CETTE SECTION ATTENTIVEMENT AVANT L'INSTALLATION -

⚠ AVERTISSEMENT: AFIN DE RÉDUIRE LES RISQUES D'INCENDIE, DE CHOC ÉLECTRIQUE ET DE BLESSURES, RESPECTER LES CONSIGNES SUIVANTES:

- 1) L'installation et le câblage électrique doivent être effectués par des techniciens qualifiés et en conformité avec tous les codes et toutes les normes qui s'appliquent même pour les constructions ignifugées.
- 2) Lorsque vous découpez ou percez un mur ou un plafond, prendre soin de ne pas endommager le filage électrique ou autres conduits cachés.
- 3) Les hottes à évacuation doivent être évacuées à l'extérieur.
 - a) Avant une réparation, un entretien préventif ou un nettoyage, ouvrir le panneau de la lumière et **COUPER LE COURANT ÉLECTRIQUE SUR LE TABLEAU DE DISTRIBUTION.**
 - b) Nettoyer le ventilateur, le filtre optionnel et les surfaces chargées de graisse fréquemment. Afin de réduire les risques d'incendie et afin de disperser l'air adéquatement, évacuer l'air à l'extérieur. **NE PAS** ventiler l'air d'évacuation dans les murs, les greniers, les vides sanitaires ou les garages.

NOTE - La garantie de cet appareil sera nulle sans le reçu d'un distributeur autorisé de KOBE ou si l'appareil est endommagé par une utilisation inadéquate, une installation déficiente, un usage inapproprié, un mauvais traitement, de la négligence ou par toute autre circonstance échappant au contrôle des distributeurs autorisés de KOBE. Toute réparation effectuée sans la supervision d'un agent autorisé de KOBE annulera automatiquement la garantie.

- KOBE se dégage de toute responsabilité face à des dommages à la propriété personnelle ou aux biens immeubles ou encore à des blessures corporelles causées directement ou indirectement par la hotte de cuisinière.

⚠ AVERTISSEMENT: AFIN DE RÉDUIRE LES RISQUES DE BLESSURES CORPORELLES DANS L'ÉVENTUALITÉ D'UN INCENDIE DE GRAISSE SE DÉCLARANT SOUS LA HOTTE DE CUISINIÈRE :

- Tenir toujours propres le ventilateur, les filtres déflecteurs, s'il y en a, et les surfaces chargées de graisse.
- Toujours faire fonctionner la hotte lors d'une cuisson à température élevée.
- Utiliser les vitesses élevées de la hotte **UNIQUEMENT** lorsque nécessaire. Chauffer l'huile lentement aux réglages de basses ou de moyennes vitesses.
- Ne pas laisser la cuisinière sans surveillance lors de la cuisson.
- Toujours utiliser les articles de cuisson et les ustensiles appropriés au type et à la quantité d'aliments préparés.
- Utiliser l'appareil seulement pour l'usage auquel le fabricant l'a destiné.
- Avant l'entretien courant, couper l'alimentation électrique au tableau de distribution principal et verrouiller ce dernier (si possible) pour éviter une mise en marche accidentelle.
- Nettoyer les ventilateurs fréquemment.

Que faire en cas d'un incendie de graisse sur la cuisinière

- **ÉTOUFFER LES FLAMMES** à l'aide d'un couvercle hermétique, une plaque à biscuits ou un plateau métallique, puis fermer le rond ou le brûleur. **GARDER LES MATÉRIAUX INFLAMMABLES OU COMBUSTIBLES LOIN DES FLAMMES.** Si les flammes ne s'éteignent pas immédiatement, **ÉVACUER LA ZONE ET APPELER LE SERVICE D'INCENDIE ou le 911.**
- **NE JAMAIS SOULEVER UNE CASSEROLE EN FEU** - Il y a risque de brûlure.
- **NE PAS UTILISER D'EAU** incluant serviettes ou linges à vaisselle mouillés - cela provoquerait un violent jet de vapeur.
- Utiliser un extincteur **SEULEMENT** si:
 - a) vous possédez un extincteur de classe A, B ou C et si vous savez vous en servir ;
 - b) le feu est petit et est contenu dans la zone de départ ;
 - c) vous avez appelé le service d'incendie ;
 - d) vous pouvez combattre le feu le dos près d'une sortie.

Que faire si une odeur de gaz se dégage

- Éteindre toute flamme nue.
- Ne pas essayer d'allumer des lumières ou tout type d'appareil électroménager.
- Ouvrir toutes les portes et fenêtres afin de chasser le gaz. Si une odeur de gaz est toujours perceptible, appeler votre fournisseur de gaz ainsi que le service d'incendie immédiatement.

⚠ ATTENTION

1. Cette hotte doit être utilisée uniquement pour une ventilation normale. Ne pas s'en servir pour évacuer des substances et vapeurs dangereuses ou explosives.
2. Afin de réduire les risques d'incendie, employer seulement des conduits de métal. Il doit y avoir suffisamment d'air pour une combustion et une évacuation des gaz appropriées par le conduit de fumée (cheminée) afin d'éviter le refoulement d'air.
3. Suivre les directives et les consignes de sécurité des fabricants d'équipement de chauffage comme celles publiées par le *National Fire Protection Association (NFPA)* et l'*American Society for Heating, Refrigeration and Air Conditioning Engineers (ASHRAE)* de même que les codes en vigueur.
4. L'activation de tout interrupteur peut provoquer l'allumage ou une explosion.
5. En raison de la taille et du poids de la hotte, il est recommandé que deux personnes participent à l'installation.

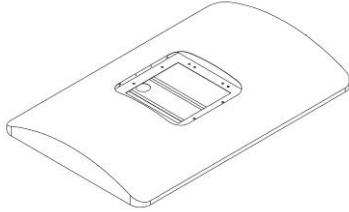
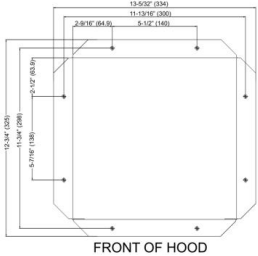



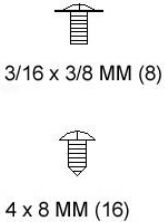
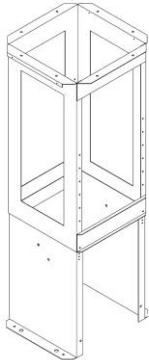
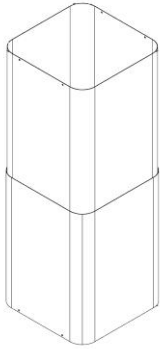
⚠ AVERTISSEMENT



RISQUE DE CHOC ÉLECTRIQUE - Pouvant entraîner la mort ou des blessures graves. Couper l'alimentation électrique à l'appareil avant tout entretien ou toute réparation. Si la hotte est munie d'une ampoule fluorescente, cette dernière contient une petite quantité de mercure et, en conséquence, elle doit être recyclée ou éliminée conformément aux codes locaux, provinciaux et fédéraux qui s'appliquent

CONTENU DE L'EMBALLAGE

(Pour tout retour ou remboursement conserver le matériel ainsi que l'emballage d'origine)

Boîte de la hotte (BOÎTE 1 DE 2)	
<p>{A} Hotte KOBE – 1 {B} Patron de montage – 1 {C} Fiche d'enregistrement à la garantie – 1 {D} Notice d'installation et mode d'emploi – 1 {E} Filtre en aluminium – 4 {F} Ensemble de vis – 1</p>	<div style="display: flex; flex-wrap: wrap;"> <div style="width: 50%; text-align: center;"> <p>{A}</p>  </div> <div style="width: 50%; text-align: center;"> <p>{B}</p>  </div> <div style="width: 50%; text-align: center;"> <p>{C}</p>  </div> <div style="width: 50%; text-align: center;"> <p>{D}</p>  </div> <div style="width: 50%; text-align: center;"> <p>{E}</p>  </div> <div style="width: 50%; text-align: center;"> <p>{F}</p>  </div> </div>
Boîte de la Conduit-Conduit (BOÎTE 2 DE 2)	
<p>{G} Conduit télescopique – 1 {H} Couvre-conduit en deux pièces – 1</p>	<div style="display: flex; justify-content: space-around;"> <div style="text-align: center;"> <p>{G}</p>  </div> <div style="text-align: center;"> <p>{H}</p>  </div> </div>

- POUR DE PLUS AMPLES RENSEIGNEMENTS, VEUILLEZ VISITER NOTRE SITE WEB www.KOBERangeHoods.com OU COMMUNIQUER AVEC KOBE RANGE HOODS AU (626) 775-8880.

INSTALLATION

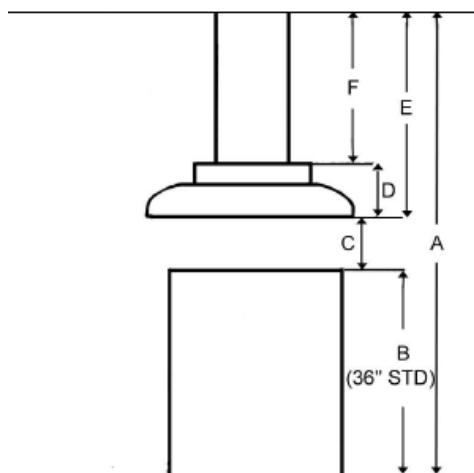
SVP LIRE AU COMPLET AVANT L'INSTALLATION

Mesures à prendre avant l'installation

Pour calculer la longueur de l'installation, vous référer au Tableau 1 qui suit. (Toutes les mesures sont données en pouces).

TABLEAU 1

- A = Hauteur entre le plancher et le plafond
B = Hauteur entre le plancher et le plan de travail
(hauteur standard: 36 po)
C = Hauteur désirée entre le plan de travail et le dessous de la hotte,
(dégagement recommandé : de 30 à 36 po)
D = Hauteur de la hotte
E = Hauteur de l'installation de la hotte
[A - (B+C)]
F = Hauteur du couvre-conduit
[E - D]
(hauteur standard: 36 po)



⚠️ CONSIGNES DE SÉCURITÉ

LES HOTTES PEUVENT AVOIR DES BORDS TRÈS TRANCHANTS ; PORTER DES GANTS DE PROTECTION SI NÉCESSAIRE POUR RETIRER DES PIÈCES LORS DE L'INSTALLATION, DU NETTOYAGE, DE L'ENTRETIEN ET DES RÉPARATIONS.

NOTE : FAIRE PREUVE DE PRÉCAUTION EN UTILISANT UN TOURNEVIS ÉLECTRIQUE PUISQUE CE DERNIER RISQUE D'ENDOMMAGER LA HOTTE.

Préparation avant l'installation

NOTE: AFIN DE PRÉVENIR TOUT DOMMAGE À LA HOTTE, IL FAUT EMPÊCHER LES DÉBRIS DE PÉNÉTRER DANS L'OUVERTURE DE VENTILATION.

- Choisir l'emplacement du conduit de ventilation de la hotte à l'extérieur. Voir Photo 1.
- Un conduit court et droit permet de maximiser le rendement de la hotte.
- Essayer d'éviter autant que possible les raccords, les coudes et les longues sections de conduit puisque ceux-ci peuvent réduire le rendement de la hotte.
- Avant de l'installer, brancher la hotte temporairement pour vérifier si son fonctionnement est adéquat.
- Important: enlever la pellicule protectrice de la hotte (s'il y a lieu).
- Utiliser du ruban adhésif entoilé d'aluminium pour sceller les raccords entre les sections de tuyau.

Installation du conduit télescopique

1. Marquer les repères de centre de la plaque de cuisson ou de la cuisinière sur le plafond au-dessus. Se servir des repères de centre indiqués au plafond pour positionner le patron de montage comme illustré à la Photo 2.
2. Retirer et conserver le patron. Couper et retirer le placoplâtre du plafond. Installer deux morceaux de bois 2 po x 4 po (non fournis) entre les solives de plafond. Vous référer à la Photo 3. Consulter un professionnel si vous avez des difficultés ou encore si votre installation est particulière.
3. Finir la surface de plafond. S'assurer de marquer l'emplacement des solives de plafond et des morceaux de bois ou remettre en place le patron de montage dans la position des solives de plafond et des morceaux de bois.
4. Fixer le conduit télescopique au plafond et le rattacher solidement aux solives et au cadre de bois à l'aide de 8 vis (non fournies) comme illustré à la Photo 3. S'assurer que les vis pénètrent bien au centre des solives et des morceaux de bois pour offrir un soutien maximal.

Photo 1

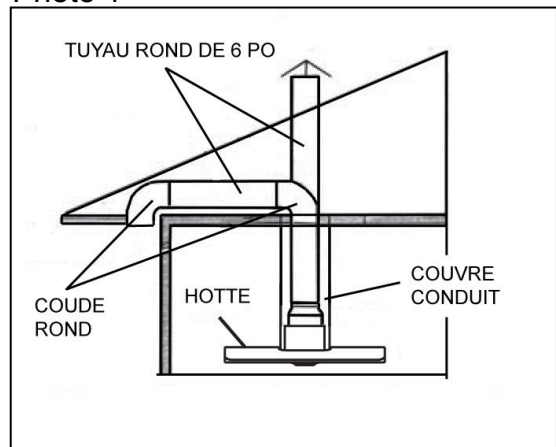


Photo 2

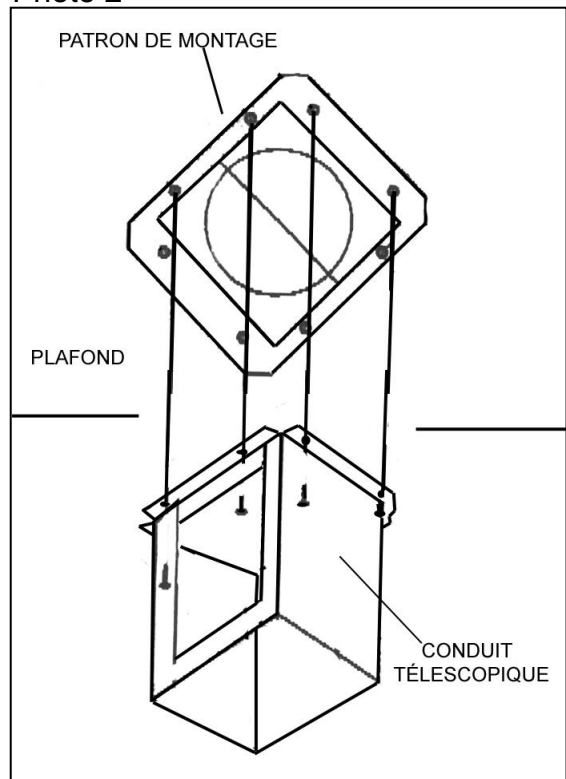
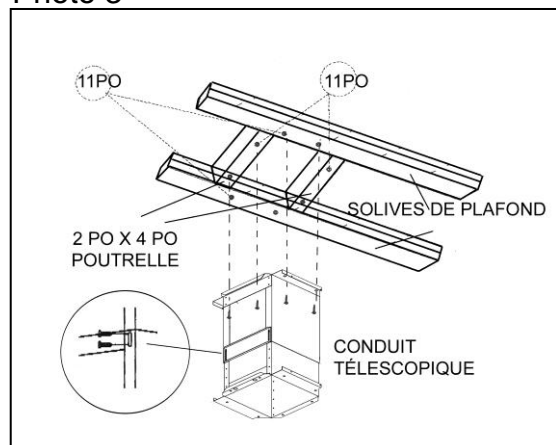


Photo 3



5. Régler le conduit télescopique à l'aide de la référence **F** du Tableau 1 et des mesures à la page 32. Fixer à partir des côtés avec les 4 vis 4 mm x 8 mm (fournies) comme illustré à la Photo 3.

Branchement à la source d'alimentation électrique

⚠ CONSIGNE DE SÉCURITÉ
RISQUE DE CHOC ÉLECTRIQUE. CETTE HOTTE DE CUISINIÈRE DOIT ÊTRE MISE À LA TERRE ADÉQUATEMENT. CE TRAVAIL DOIT ÊTRE EXÉCUTÉ PAR UN ÉLECTRICIEN PROFESSIONNEL EN CONFORMITÉ AVEC TOUS LES CODES D'ÉLECTRICITÉ LOCAUX ET NATIONAUX QUI S'APPLIQUENT. AVANT DE BRANCHER DES FILS, COUPER LE COURANT ÉLECTRIQUE AU TABLEAU DE DISTRIBUTION PRINCIPAL ET VERROUILLER CE DERNIER POUR ÉVITER QUE LE COURANT SOIT REMIS ACCIDENTELLEMENT.

6. Raccorder les trois fils (noir, blanc et vert) aux fils de la maison et couvrez-les avec des capuchons de connexion. Raccorder les fils selon la couleur : noir avec noir, blanc avec blanc et vert avec vert.
7. Vérifier le fonctionnement de la hotte avant de passer à l'étape suivante. S'assurer que la hotte est bien alimentée en courant.

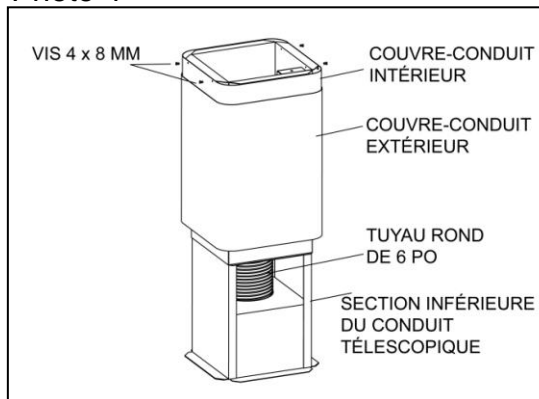
Raccordement au réseau de conduits

8. Utiliser un tuyau rond d'acier de 6 po (non fourni) pour raccorder l'évent de sortie en plastique de la hotte au conduit au-dessus.
9. Utiliser du ruban adhésif entoilé d'aluminium pour rendre les raccords sécuritaires et hermétiques.

Installation du couvre-conduit

10. Faire glisser le couvre-conduit vers le haut et fixer le couvre-conduit intérieur au conduit télescopique à l'aide de 4 vis 4 mm x 8 mm (fournies). Voir Photo 4.

Photo 4



Installation de la hotte

11. Visser 4 vis 4 mm x 8 mm (fournies) temporairement des vis pour retenir en haut le couvre-conduit. Installer la hotte comme illustré à la Photo 5.
12. Utiliser 8 vis 3/16 mm x 3/8 mm (fournies) pour fixer la hotte au conduit télescopique. S'assurer de bien serrer les vis en place. Voir Photo 5.
13. Connectez toutes les connexions des câbles à l'intérieur de la hotte.

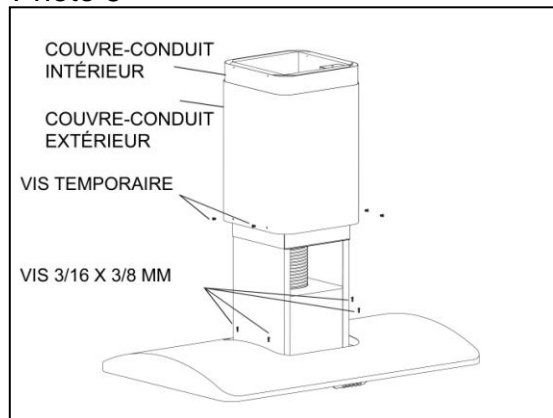
Installation des accessoires

14. Placer les filtres en aluminium sous la hotte.

Assemblage final

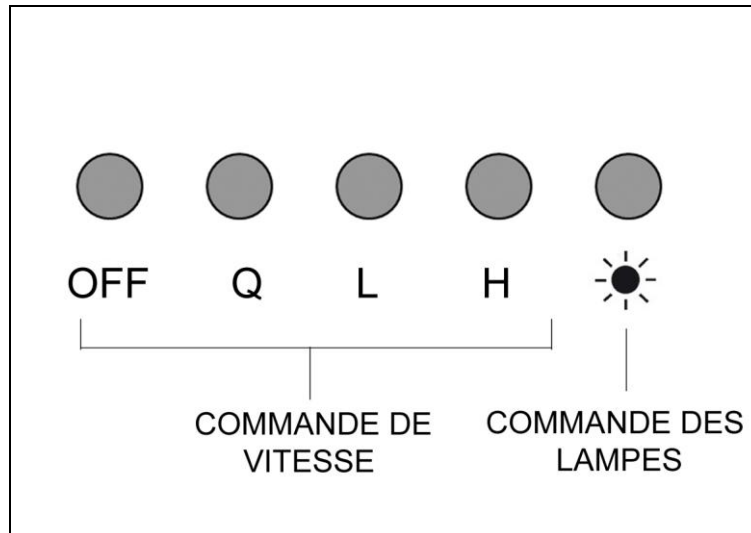
15. Enlever les vis temporaires et faire glisser le couvre-conduit extérieur vers le bas pour qu'il s'appuie solidement sur la hotte.
16. Démarrer la hotte par la commande marche/arrêt (ON/OFF). Vérifier le fonctionnement de toutes les lampes et du ventilateur.
17. Remettre ce manuel au propriétaire pour consultation future.

Photo 5



MODE D'EMPLOI

Photo 6



Le fonctionnement du ventilateur

- Appuyer sur le bouton pour choisir la vitesse
 - Q = QuietMode™
 - L = Basse
 - H = Élevée
- Appuyez sur "OFF" pour arrêter le ventilateur.

Le fonctionnement de la lumière

- Appuyer sur bouton d'éclairage pour allumer les lampes.

ENTRETIEN PRÉVENTIF

AVERTISSEMENT DE SÉCURITÉ

Pour favoriser un rendement optimal, nettoyer régulièrement les surfaces de la hotte et les filtres déflecteurs.

NETTOYAGE DES SURFACES DE LA HOTTE

AVERTISSEMENT : NE JAMAIS EMPLOYER DE NETTOYANTS OU LINGES ABRASIFS, OU ENCORE DE LAINES À RÉCURER.

Pour une opération optimale, nettoyez régulièrement la hotte de cuisine et tous les déflecteurs/espacements/filtres/tunnels d'huile/contenants d'huile.

*** Un entretien fréquent aidera à conserver une belle apparence à la hotte.

1. Utiliser seulement du savon doux ou du détergent. Sécher les surfaces avec un chiffon doux.
2. Si la hotte est tachée (hotte en acier inoxydable), utiliser un nettoyant à base d'agrumes pour nettoyer les surfaces. Éviter de mettre du nettoyant sur les boutons de commande. Étendre une petite quantité sur les surfaces et laisser reposer quelques minutes (ne pas laisser trop longtemps car cela pourrait endommager le fini de la hotte). À l'aide d'un chiffon doux, enlever la solution nettoyante et frotter doucement les taches rebelles. Utiliser un chiffon légèrement humide pour enlever tout résidu de solution nettoyante. Sécher la hotte avec un chiffon doux. Pour redonner du brillant au fini en acier inoxydable, utiliser un nettoyant pour acier inoxydable.
3. NE PAS laisser les dépôts s'accumuler durant de longues périodes de temps.
4. NE PAS utiliser de laines ou de brosses à récurer ordinaires. Des particules d'acier peuvent adhérer à la surface et la faire rouiller.
5. NE PAS permettre à des solutions salines, des désinfectants, des javellisants ou des agents nettoyants de rester en contact avec l'acier inoxydable durant de longues périodes. Plusieurs de ces nettoyants contiennent des produits chimiques pouvant endommager l'acier inoxydable. Après tout contact de ce type, rincer à l'eau et essuyer avec un chiffon doux.

NETTOYAGE DES FILTRES EN ALUMINIUM

1. Retirer tous les filtres en aluminium.
2. Laver dans une eau chaude savonneuse. Sécher entièrement avant de remettre en place.

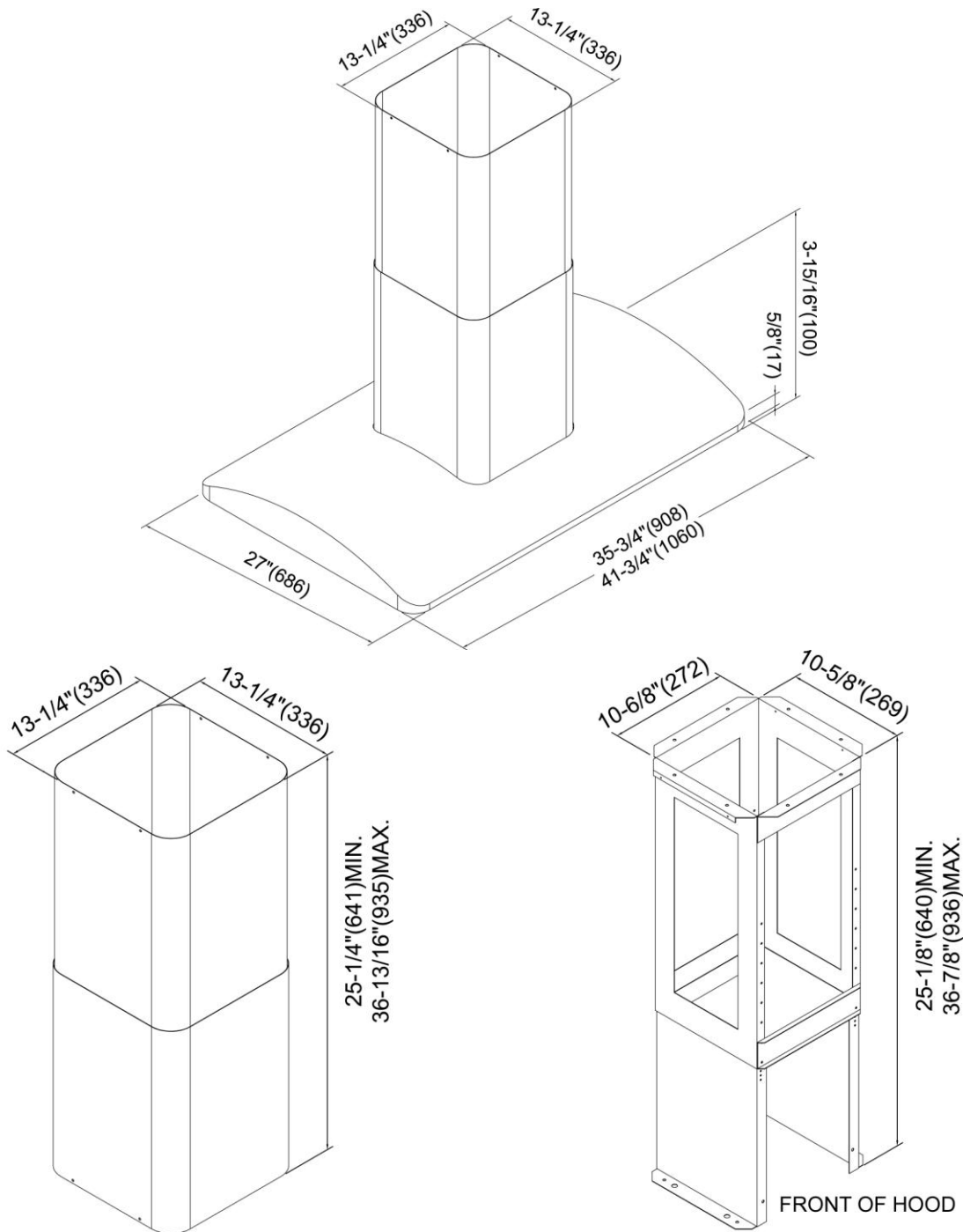
SPÉCIFICATIONS

MODÈLE / FORMAT	IS2236SQF - 36 po IS2242SQF - 42 po		
COULEUR	Acier inoxydable de qualité commerciale		
CONSOMMATION	211 W / 1.82 A		
VOLTAGE	120 V 60 Hz		
NOMBRE DE MOTEURS	1		
DESIGN	Fini satiné sans joints		
TYPE DE VENTILATEUR	Centrifuge à pales (cage à écureuil)		
ÉVACUATION	Évent rond de 6 po		
COMMANDES	Poussez le bouton de contrôle du système		
LAMPES	LED 3 W x 4		
DIMENSIONS DE LA HOTTE (LARGEUR X PROFONDEUR X HAUTEUR)	(IS2236SQF) - 35-3/4 po x 27 po x 3-15/16 po (IS2242SQF) - 41-3/4 po x 27 po x 3-15/16 po		
COUVRE-CONDUIT (LARGEUR X PROFONDEUR X HAUTEUR)	Couvre-conduit réglable en deux pièces (IS22DC) - 13-1/4 po x 13-1/4 po x (23-3/8 po ~ 37-3/4 po)		
POIDS DE LA HOTTE (lb)		<u>NET</u>	<u>BRUT</u>
	IS2236SQF	20	29
	IS2242SQF	21	31
	IS22DC	43	55
VITESSE	QuietMode™	Basse	Élevée
Capacité d'air (cfm)	280	480	700
Sone	1.3	2.8	4.8

*Les spécifications sont sujettes à changement sans préavis.

MESURES ET SCHÉMAS

- ◆ Toutes les mesures entre parenthèses sont en millimètres.
- ◆ Toutes les mesures en pouces sont converties à partir de millimètres. Les mesures en pouces sont estimées.



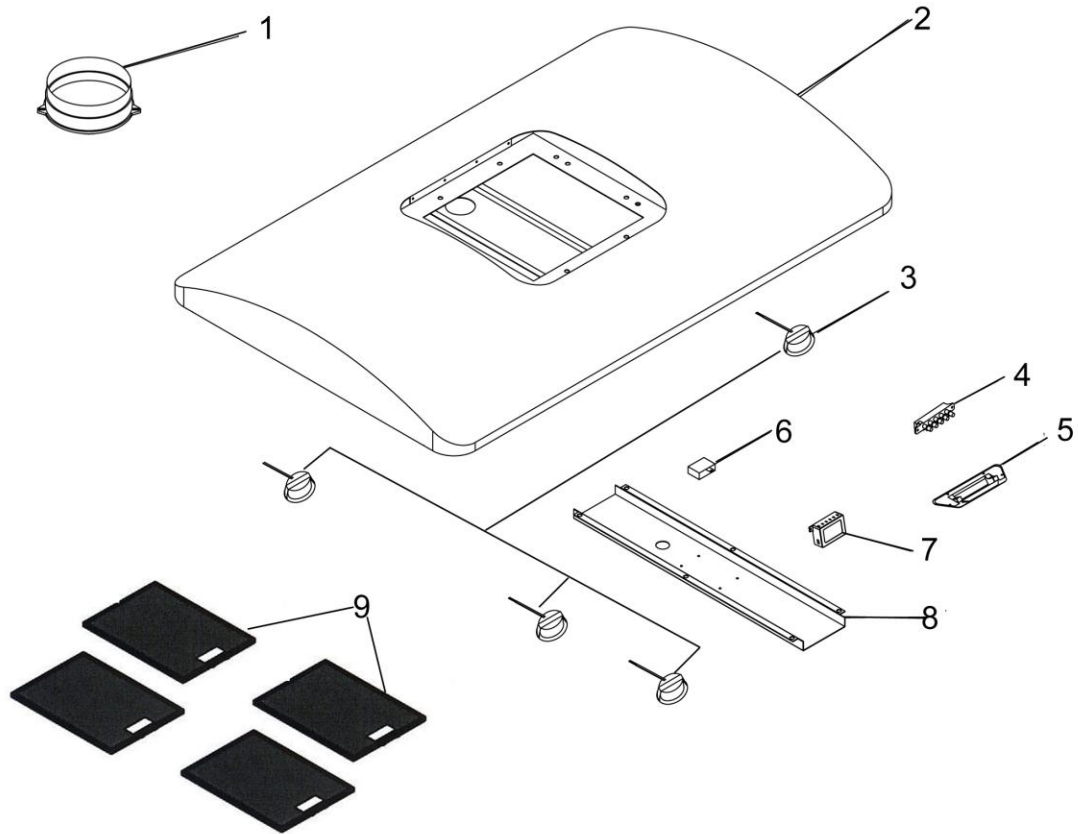
LISTE DES PIÈCES

N^{os} de modèles **IS2236SQF**
 IS2242SQF

Box 1 of 2			
N^o	DESCRIPTION	MODÈLE/FORMAT	N^o DE PIÈCE
1	Évent rond en plastique - 6 po		C1-0505-0001
2	Caisson supérieur de la hotte	IS2236SQF	B101-6036-02
		IS2242SQF	B101-6042-02
3	LED		C1-0403-0306
4	Tableau des commandes		C1-0405-0303
5	Support - tableau des commandes		C1-0207-6200
6	Condensateur		C1-0401-A350-035
7	Transformateur (lampe)		C1-0402-D001
8	Panneau de soutien - lampe		B101-0636-04B
9	Filtre en aluminium	IS2236SQF	C1-0604-0105
		IS2242SQF	C1-0604-0107

Box 1 of 2			
N^o	DESCRIPTION	MODÈLE/FORMAT	N^o DE PIÈCE
10	Couvre-conduit		B102-6000-36A/B
11	Conduit télescopique		C1-0203-600-36A/B
12	Boîtier de moteur et moteur		C1-0302-A120-09
13	Grille de protection		C1-0602-0103
14	Caisson supérieur de moteur		C1-0106-6000-A/B

Box 1 of 2



Box 2 of 2

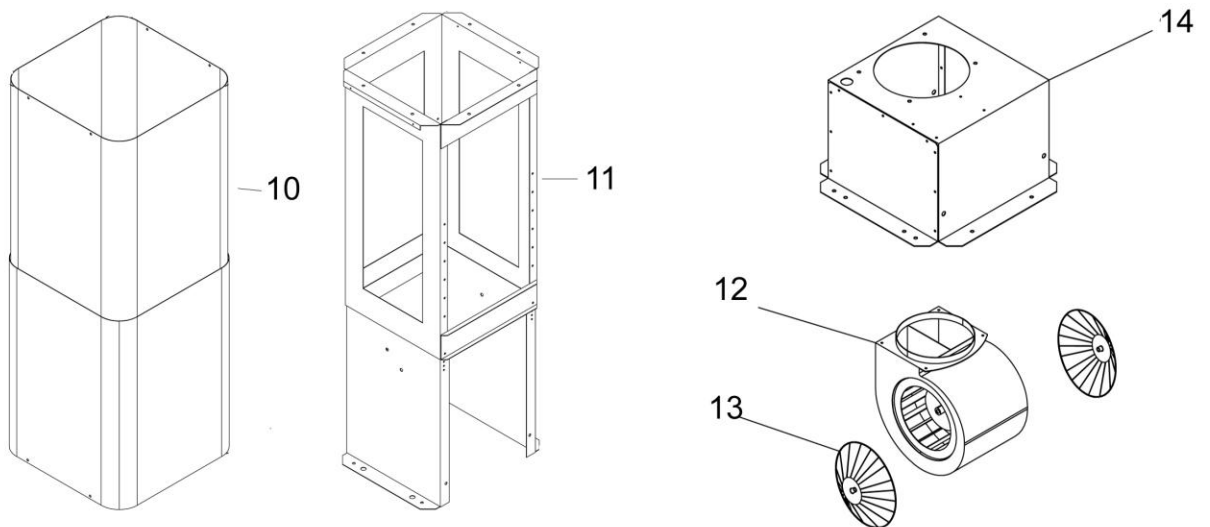
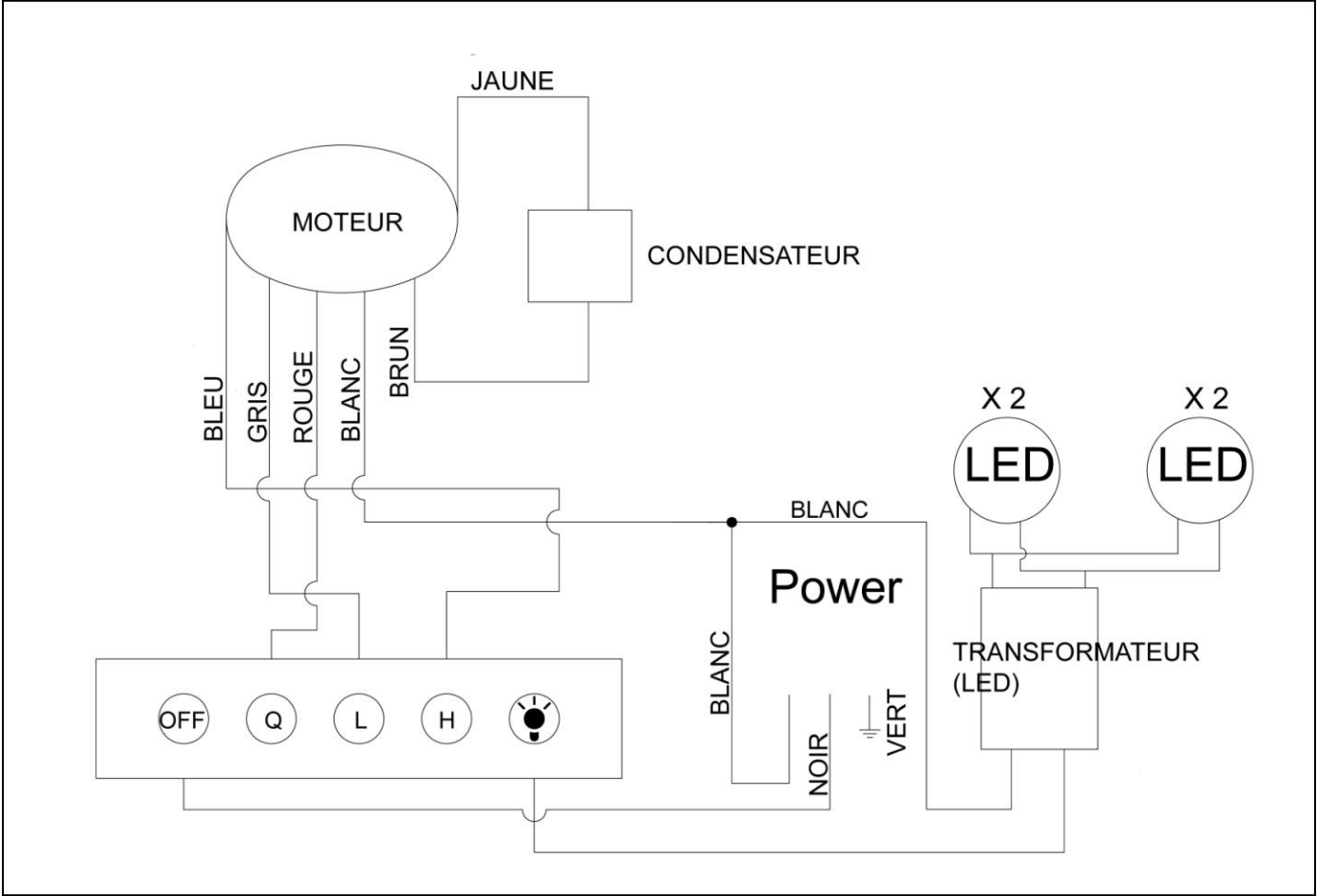


SCHÉMA DE CÂBLAGE

N° DE MODÈLE IS2236SQF
IS2242SQF



TROUBLE SHOOTING

Problème	Cause probable	Solution
Après l'installation, les deux moteurs et les lumières ne fonctionnent pas.	Pas d'alimentation électrique. Assurez-vous que le disjoncteur et que l'alimentation électrique soient en marche.	Utilisez un voltmètre pour vérifier l'alimentation en électricité.
	Le câblage n'est pas bien installé.	Vérifiez et serrez les connexions de fils.
Les lumières fonctionnent, mais pas le(s) moteur(s).	Le(s) moteur(s) est (sont) défectueux.	Remplacez le(s) moteur(s).
	Le(s) condensateur(s) est (sont) défectueux.	Remplacez le(s) condensateur(s).
La hotte de cuisine vibre.	Le système de ventilation n'est pas bien installé.	Serrez la pale turbine/cage d'écureuil et le réservoir d'air.
	La pale turbine/cage écureuil n'est pas bien balancée.	Remplacez la pale turbine/cage d'écureuil.
	La hotte n'est pas assez bien serrée.	Vérifiez l'installation de la hotte, serrez le support de fixation.
Le moteur fonctionne, mais pas les lumières.	L'ampoule de la lampe(s) est défectueuse.	Essayez l'ampoule de lampe défectueuse sur une douille qui fonctionne. Si l'ampoule ne fonctionne toujours pas, remplacez-la.
	Le câblage de la lampe n'est pas assez serré.	Vérifiez le câblage au complet à partir de la carte processeur jusqu'au transformateur puis jusqu'au boîtier.
	Le transformateur de la lumière est défectueux.	Vérifiez l'entrée de courant et la sortie de courant du transformateur de lampe. Si nécessaire, remplacez le transformateur de lampe.
La hotte de cuisine ne ventile pas correctement.	La hotte de cuisine est installée hors des limites recommandées par le fabricant.	Ajustez le dégagement entre la hotte de cuisine et la table de cuisson pour qu'il soit de 27" à 30". Pour une hotte de cuisinière sur îlot, le dégagement entre la hotte de cuisine et la table de cuisson est de 30" à 36".
	Il n'y a pas d'air d'appoint à l'intérieur de la maison.	Ouvrez la fenêtre pour améliorer la performance de la hotte en créant suffisamment d'air d'appoint.
	Un obstacle bloque la canalisation.	Enlevez tous les obstacles de la canalisation.
	La canalisation est plus petite que la canalisation suggérée.	Changez la canalisation en accord avec les suggestions du fabricant.
De l'air froid entre dans la maison.	La connexion du conduit n'est pas scellée correctement.	Vérifiez l'installation du conduit.
	Le clapet n'est pas installé.	En installant le clapet, vous aiderez à éliminer le retour d'air.

GARANTIE

CERTIFICAT DE GARANTIE

KOBE (désigné ici par "nous" ou "notre") garantit à l'acheteur original (désigné ici par «vous» ou «votre») tous les produits sont fabriqués ou fournis par nous sont exempts de défaut de fabrication et de main-d'œuvre comme suit:

DEUX ANS DE GARANTIE LIMITÉE POUR LES PIÈCES ET MAIN D'OEUVRE LES SERIES KOBE PREMIUM:

Pendant deux ans à compter de la date de votre facture originale chez un concessionnaire agréé KOBE, nous allons, à notre seule discrétion, choisir de réparer ou de remplacer le produit gratuitement qui a échoué en raison de défauts de fabrication.

Il est de votre responsabilité exclusive de vous assurer que le produit est facilement accessible pour le technicien d'effectuer les réparations. **Le technicien de service ne va, en aucune circonstance, retirer, altérer ou modifier tout dispositif construit autour et/ou connecté à l'appareil, pour y accéder en vue d'effectuer des réparations.**

Au cours de la période de deux ans de garantie, des frais supplémentaires peuvent s'appliquer et comprennent, mais ne sont pas limités à:

- Les frais de service de voyage technicien si le centre de service demandé est de 30 miles de la zone de service autorisé par KOBE
- Dépenses d'expédition des pièces
- Non-installation d'un produit défectueux et installation d'appareil de remplacement

UN AN DE GARANTIE LIMITÉE POUR PIÈCES SUR LES SERIES KOBE Brillia:

Pendant un an à compter de la date de votre facture originale chez un concessionnaire agréé KOBE, nous vous fournirons gratuitement, les pièces pour remplacer celles qui ont échoué en raison de défauts de fabrication. C'est notre seule discrétion, choisir de réparer ou de remplacer les pièces défectueuses. Il est de votre seule responsabilité pour tous les coûts de main-d'œuvre associées à cette garantie.

Exclusions de la garantie:

Cette garantie ne couvre pas, y compris, mais sans s'y limiter, ce qui suit:

- a. Une mauvaise installation.
- b. Toute réparation, altération, modification non autorisée par KOBE.
- c. Altération de conduit, ou de modification et connexion.
- d. Mauvaise alimentation électrique, tension ou câblage.
- e. L'entretien normal et les services requis pour le produit.
- f. Les pièces consommables comme les ampoules et les filtres de carbone.
- g. Utilisation non conforme du produit qui n'était pas prévue, comme l'utilisation commerciale, utilisation à l'extérieur et multi-usage familial.

- h. L'usure normale.
- i. Chips, rayures ou les bosses, ou de le mauvais usage du produit.
- j. Les dommages causés par un accident, un incendie, une inondation et d'autres forces majeures.
- k. Les frais engagés pour des services situés à l'extérieur de la zone de service.
- l. Les achats auprès des revendeurs non agréés.
- m. Frais d'enlèvement de produits défectueux et frais installation associés à un produit de remplacement.

Si nous déterminons que les exclusions de garantie indiquées ci-dessus s'appliquent ou si vous ne fournissez pas tous les documents nécessaires pour le service de garantie, vous serez responsable de tous les frais associés à la prestation demandée, y compris les pièces, la main d'oeuvre, l'expédition, le déplacement et tous autres frais liés à la requête du service.

Pour le service sous garantie, vous devez:

1. Avoir la preuve d'achat originale
2. Être l'acheteur original du produit
3. Le numéro de modèle
4. Le numéro de série
5. Avoir une description de la nature de tout défaut dans le produit ou la pièce

POUR UN SERVICE DE GARANTIE, CONTACTEZ LE CENTRE DE SERVICE KOBE HOTTES:

CENTRE DE SERVICE KOBE
Tel: 1-855-800-KOBE (5623)
E-mail: kobe@adcoservice.com

FORMULAIRE D 'INFORMATION SUR LA GARANT

Remplissez les espaces vides et garder ce papier avec la facture originale dans un endroit sûr pour un service futur.

1. Date d'achat : _____

2. Numéro de modèle : _____

3. Numéro de série : _____

Pour le service de garantie ou achat de pièces, contactez:

CENTRE DE SERVICE KOBE

Numéro vert: 1-855-800-KOBE (5623)

Email: kobe@adcoservice.com

Pour signaler un problème, contactez:

Numéro vert: 1-877-BUY-KOBE (289-5623)

Email: customer.service@koberangehoods.com

Pour des informations sur les produits, contactez:

Numéro vert: 1-877-BUY-KOBE (289-5623)

Email: info@koberangehoods.com

Vos remarques:

[ESPAÑOL]

ES IMPORTANTE QUE LEA ESTO PRIMERO

LEA ANTES DE LA INSTALACION

1. Revise cuidadosamente todos los contenidos del paquete;
2. Inspeccione cuidadosamente la unidad para los daños o defectos estéticos;
3. Pruebe la unidad antes de la instalación;
4. Deje que un contratista certificado / electricista realice la instalación.

SI HAY ALGUN PROBLEMA:

1. **NO INSTALE LA UNIDAD Y GUARDE EL EMPAQUE ORIGINAL.**
2. Tenga su recibo original de compra y número de serie del producto listo.
3. Llame al 1-877-BUY-KOBE (289-5623), o envíe correo electrónico a info@koberangehoods.com para informar del problema.

NO SE DEVUELVE, NO SE REEMBOLSA, NO SE ADMITEN CAMBIOS SI:

1. EL PRODUCTO HA SIDO INSTALADO
2. LOS PASOS CIEGOS HANSIDO PERFORADOS
3. SE HA EXTRAVIADO MATERIAL Y / O PIEZAS ORIGINAL DEL PAQUETE

[SPANISH]

- LEA Y CONSERVE ESTAS INSTRUCCIONES -

ÍNDICE

INSTRUCCIONES IMPORTANTES DE SEGURIDAD.....	45
COMPONENTES DEL PAQUETE	47
INSTALACIÓN.....	48
INSTRUCCIONES DE OPERACIÓN.....	52
MANTENIMIENTO.....	53
ESPECIFICACIONES.....	54
MEDIDAS Y DIAGRAMAS.....	55
LISTADO DE PIEZAS.....	56
DIAGRAMA DE CIRCUITO.....	58
INSTRUCCIONES IMPORTANTES DE SEGURIDAD.....	59
GARANTÍA.....	60
REGISTRO DEL PRODUCTO.....	62

- LEA CUIDADOSAMENTE TODAS LAS INSTRUCCIONES ANTES DE COMENZAR -

TODO EL CABLEADO DEBERÁ REALIZARSE POR UN PROFESIONAL
Y DE ACUERDO CON TODOS LOS CÓDIGOS ELÉCTRICOS NACIONALES
Y LOCALES



INSTRUCCIONES IMPORTANTES DE SEGURIDAD

- POR FAVOR, LEA CUIDADOSAMENTE ESTA SECCIÓN ANTES DE INSTALAR -

⚠ ADVERTENCIA: PARA REDUCIR EL RIESGO DE INCENDIO, ELECTROCUCIÓN O LESIÓN PERSONAL, TOMA EN CUENTA LO SIGUIENTE:

- 1) La instalación y el cableado eléctrico deberán realizarse por profesionales calificados y de acuerdo con todos los códigos y estándares correspondientes, incluyendo los códigos y normas sobre la construcción para prevenir incendios.
- 2) Al cortar o perforar una pared o techo, tenga cuidado de no dañar el cableado eléctrico u otras instalaciones de servicios ocultas.
- 3) Los ventiladores con conductos deberán tener una ventilación hacia el exterior.
 - a) Antes de darle servicio o limpiar la unidad, abra el panel de la luz y DESCONECTE EL SUMINISTRO ELÉCTRICO EN EL PANEL DE SERVICIO.
 - b) Limpie frecuentemente las superficies saturadas con grasa. Para reducir el riesgo de incendio y para dispersar el aire adecuadamente, asegúrese de ventilar el aire al exterior. NO ventile el aire del escape en espacios cerrados entre paredes, áticos, espacios de acceso debajo de pisos o garajes.

NOTA - Esta garantía no es válida sin un recibo de un agente autorizado o si la unidad se ha dañado debido al maltrato, mala instalación, uso inadecuado, abuso, negligencia o cualquier otra circunstancia que se encuentre fuera del control de los agentes autorizados de KOBE RANGE HOODS. Cualquier reparación que se realice sin la supervisión de los agentes autorizados de KOBE RANGE HOODS anulará la garantía automáticamente.

- KOBE RANGE HOODS no se hará responsable por cualquier daño a la propiedad personal o inmobiliario ni por las lesiones físicas que se hayan causado ya sea directa o indirectamente por la campana de extracción.

⚠ ADVERTENCIA: PARA REDUCIR EL RIESGO QUE OCURRAN LESIONES PERSONALES EN CASO DE UN INCENDIO CAUSADO POR LA GRASA ACUMULADA EN LAS HORNILLAS DE LA ESTUFA:

- Mantenga limpios todos los ventiladores, deflectores/separadores/filtros/conductos de aceite/recipientes para aceite y las superficies saturadas con grasa. No deberá permitirse que la grasa se acumule en el ventilador, deflector/separador/filtro/conducto de aceite/ recipiente para aceite.
- Siempre ENCIENDA el extractor cuando cocine.
- Utilice las configuraciones altas en la estufa SOLAMENTE cuando sea necesario.
- No deje la estufa sin supervisión mientras esté cocinando.
- Siempre utilice utensilios de cocina adecuados para el tipo y cantidad de alimentos que prepara.
- Utilice esta unidad únicamente de la manera en que fue diseñada por el fabricante.
- Antes de darle servicio, desconecte el suministro eléctrico en el panel de servicio y cierre bajo llave el panel de servicio (de ser posible) para prevenir que la unidad se encienda accidentalmente.
- Limpie el ventilador con frecuencia.

Qué Hacer en Caso de un Incendio Causado por la Grasa Acumulada en las Hornillas de la Estufa

- SOFOQUE LAS LLAMAS con una tapadera, una bandeja para hornear galletas o una bandeja de metal que quede bien ajustada y luego apague la hornilla. MANTENGA TODO EL MATERIAL INFLAMABLE O COMBUSTIBLE LEJOS DE LAS LLAMAS. Si las llamas no se apagan inmediatamente, EVACUE EL ÁREA Y LLAME AL DEPARTAMENTO DE BOMBEROS o al 911.
- NUNCA LEVANTE UN SARTÉN QUE SE ESTÉ QUEMANDO – Usted Podría Quemarse.
- NO UTILICE AGUA, incluyendo paños o toallas mojadas - esto resultará en una explosión violenta de vapor.
- Utilice un extinguidor SOLO si:
 - a) Cuenta con un extinguidor Clase A, B, C y sabe cómo utilizarlo.
 - b) El incendio es pequeño y se ha contenido en el área en donde comenzó.
 - c) Ha llamado al departamento de bomberos.
 - d) Puede combatir el incendio con su espalda dirigida hacia una salida.

Qué Hacer si Siente Olor a Gas

- Apague cualquier llama abierta.
- No intente encender las luces o cualquier otro tipo de aparato.
- Abra todas las puertas y ventanas para dispersar el gas. Si aún así siente olor a gas, llame a la Compañía de Gas y al Departamento de Bomberos inmediatamente.

PRECAUCIÓN

- 1) Solamente para ventilación general. No utilizar para eliminar materiales y vapores peligrosos o explosivos.
- 2) Para reducir el peligro de incendio, utilice solamente una red de conductos metálicos. Necesita aire suficiente para la combustión y eliminación de gases por medio del conducto de ventilación (chimenea) para prevenir la explosión de flujo de aire en retroceso.
- 3) Siga las directrices y estándares de seguridad del fabricante del equipo de calefacción, tales como aquellos publicados por la Asociación de Protección contra Incendios (National Fire Protection Association – NFPA) y la Sociedad Americana de Ingenieros en Calefacción, Refrigeración y Aire Acondicionado (American Society for Heating, Refrigeration and Air Conditioning Engineers – ASHRAE) y las autoridades normativas.
- 4) Activar cualquier interruptor podría causar una explosión o ignición.
- 5) Debido al tamaño y peso de esta campana de extracción, se recomienda que la instalación sea realizada por dos personas.

ADVERTENCIA



RIESGO DE ELECTROCUCIÓN – Puede resultar en lesiones serias o la muerte. Desconecte el aparato del suministro eléctrico antes de darle servicio. Si estuviera equipado con éste, el foco fluorescente debido a que contiene pequeñas cantidades de mercurio, deberá reciclarse o desecharse según los Códigos Locales, Estatales y Federales.

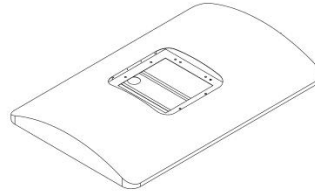
COMPONENTES DEL PAQUETE

(Debe conservar todo el material en caso de devolverlo o solicitar un reembolso)

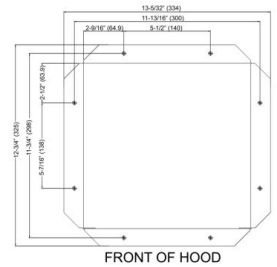
Caja de la Campana de Extracción (Caja 1 de 2)

- {A} Campana de Extracción KOBE – 1
- {B} Plantilla de Montaje – 1
- {C} Tarjeta de Registro para Garantía – 1
- {D} Manual de Instrucciones – 1
- {E} Filtros Deflectores – 4
- {F} Paquete de Tornillos – 1

{A}

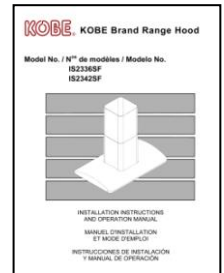


{B}



{C}

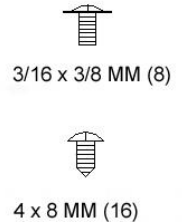
{D}



{E}



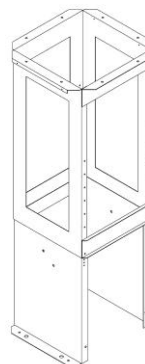
{F}



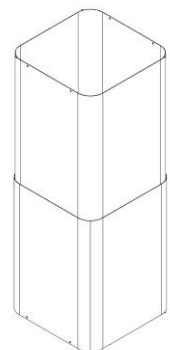
Caja de la Cubierta de Conductos Caja 2 de 2

- {G} Chimenea Telescópica – 1
- {H} Cubierta de Conductos de Dos Piezas – 1

{G}



{H}



- PARA OBTENER MÁS INFORMACIÓN, POR FAVOR VISITE NUESTRO SITIO DE INTERNET www.KOBERangeHoods.com O CONTACTE A KOBE RANGE HOODS AL (626) 775-8880.

INSTALACIÓN

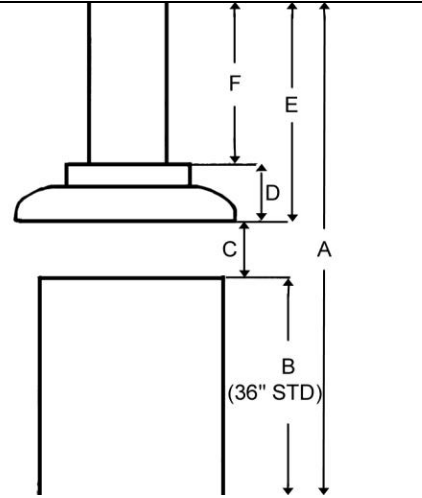
POR FAVOR, LEA LAS INSTRUCCIONES COMPLETAMENTE ANTES DE CONTINUAR

Cálculo antes de la Instalación

Para realizar el cálculo para la instalación, por favor consulte la TABLA 1. (Todos los cálculos están hechos en pulgadas).

TABLA 1

- A = Altura del Piso al Techo
- B = Altura del Piso a la Superficie del Mostrador (Estándar: 36")
- C = **Altura Preferida de la Superficie del Mostrador a Parte Inferior de la Campana (Se recomienda de 30" a 36")**
- D = Altura de la Campana
- E = Altura de Instalación de la Campana [A – (B+C)]
- F = Altura de la Cubierta de Conductos [E – D]



⚠ ADVERTENCIA DE SEGURIDAD

LA CAMPANA PODRÍA TENER EXTREMOS SUMAMENTE FILOSOS; FAVOR DE UTILIZAR GANTES PROTECTORES SI VA A RETIRAR CUALQUIER PIEZA PARA INSTALAR, LIMPIAR O DARLE SERVICIO.

NOTA: TENGA MUCHO CUIDADO AL UTILIZAR UN DESTORNILLADOR ELÉCTRICO; PODRÍA CAUSAR DAÑOS A LA CAMPANA.

Preparación antes de la Instalación

NOTA: PARA EVITAR CAUSAR DAÑOS A SU CAMPANA, EVITE QUE DESECHOS PENETREN EN LA RENDIJA DE VENTILACIÓN

- Decida la ubicación para colocar el conducto de ventilación de la campana hacia el exterior. (Figura 1)
- Un ducto de escape recto y corto permitirá que la campana trabaje con más eficiencia.
- Intente evitar tantas conexiones, codos y ductos largos como sea posible. Esto podría reducir el rendimiento de la campana.
- Antes de instalar, conecte temporalmente la campana para verificar que funcione adecuadamente.
- **Importante: Retire la película protectora de la campana.**
- Utilice cinta aislante (duct tape) para sellar las uniones entre las secciones de los conductos.

Instalación de la Chimenea Telescópica

1. Marque las líneas centrales de la estufa en el techo. Utilice las líneas centrales marcadas en el techo para colocar la plantilla de montaje según se muestra en la Figura 2.
2. Remueva y guarde la plantilla. Corte y remueva la tablaroca (drywall) del techo. Instale madera de entramado de 2" x 4" (no proporcionada) entre las vigas del techo. Consulte la Figura 3. Consulte a un profesional si tiene dificultades o si su instalación es especial.
3. Arregle la superficie del techo. Asegúrese de marcar la ubicación de las vigas del techo y la madera de entramado, o coloque la plantilla de montaje en el lugar de las vigas del techo o entramado.
4. Fije la chimenea telescópica en el techo y sujétela firmemente en las vigas y el entramado usando ocho tornillos (no proporcionados) como se muestra en la Figura 3. Asegúrese que los tornillos penetren en el centro de las vigas y el entramado para brindar un soporte máximo.
5. Ajuste la chimenea telescópica usando la referencia **F** calculada en la Tabla 1 y las medidas de la página 52. Ajuste por un lado utilizando cuatro tornillos (4x8mm) (proporcionados) como se muestra en la Figura 3.

Figura 1

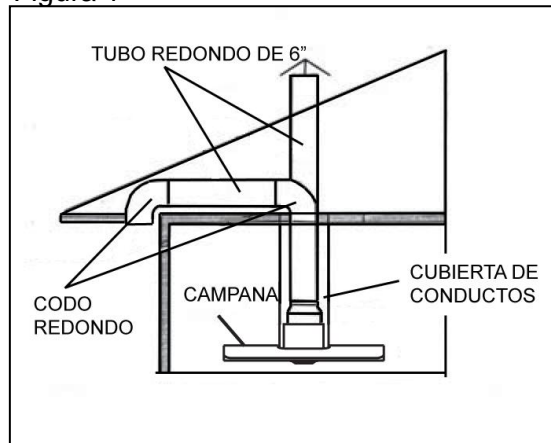


Figura 2

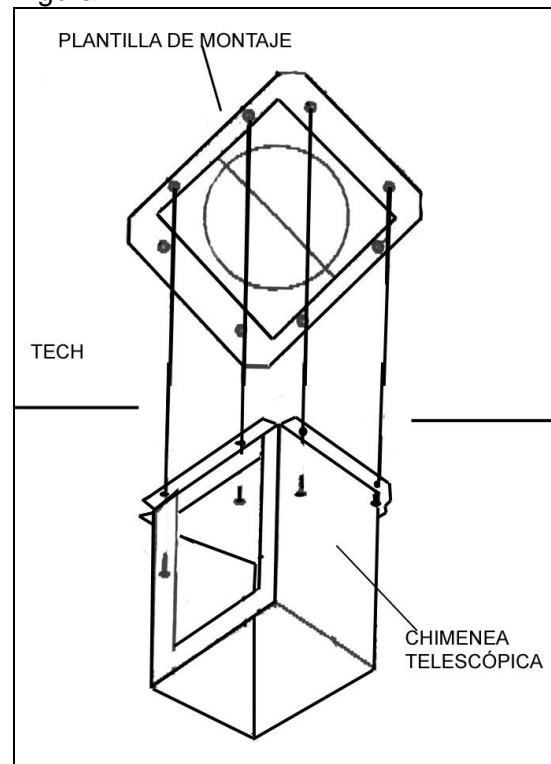
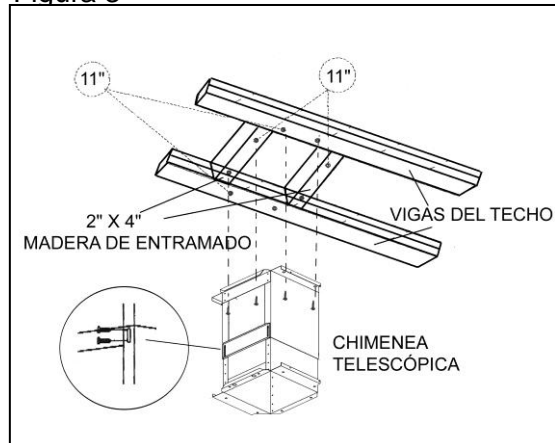


Figura 3



Cableado Hacia la Fuente de Alimentación

⚠ ADVERTENCIA DE SEGURIDAD
RIESGO DE ELECTROCUCIÓN. ESTA CAMPANA DE EXTRACCIÓN DEBERÁ TENER UNA CONEXIÓN A TIERRA ADECUADA. ASEGÚRESE QUE ESTO SE REALICE POR UN ELECTRICISTA CALIFICADO Y DE ACUERDO CON TODOS LOS CÓDIGOS ELÉCTRICOS NACIONALES Y LOCALES CORRESPONDIENTES. ANTES DE CONECTAR LOS CABLES, DESCONECTE EL SUMINISTRO ELÉCTRICO EN EL PANEL DE SERVICIO Y CIERRE BAJO LLAVE EL PANEL PARA PREVENIR QUE LA UNIDAD SE ENCIENDA ACCIDENTALMENTE.

6. Conecte los tres cables (negro, blanco y verde) y tape con conectores de cables. Conecte de acuerdo a su color: negro con negro, blanco con blanco, y verde con verde.
7. Pruebe el funcionamiento de la campana antes de realizar el siguiente paso. Asegúrese que la electricidad llegue a la campana.

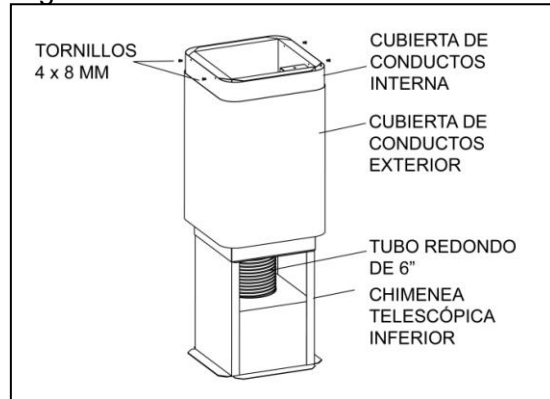
Instalación de la Red de Conductos

8. Utilice un tubo redondo de acero de 6" (no incluido) para conectar escape plástico de la campana con la red de conductos de arriba.
9. Utilice cinta de aislar (duct tape) para que todas las uniones queden fijas y herméticas.

Instalación de la Chimenea Telescópica

10. Deslice la cubierta de conductos hacia arriba y fije la cubierta de conductos interna en la chimenea telescópica usando cuatro tornillos (4x8 mm) (proporcionados). Consulte la Figura 4.

Figura 4



Instalación de la Campana

11. Coloque cuatro tornillos temporales (4x8 mm) (proporcionados) para sujetar la cubierta de conductos. Instale la campana según se muestra en la Figura 5.
12. Utilice ocho tornillos (3/16x3/8mm) (proporcionados) para fijar la campana con la chimenea telescópica. Asegúrese de apretar los tornillos firmemente. Consulte la Figura 5.
13. Conectar todas las conexiones de cable dentro de la campana.

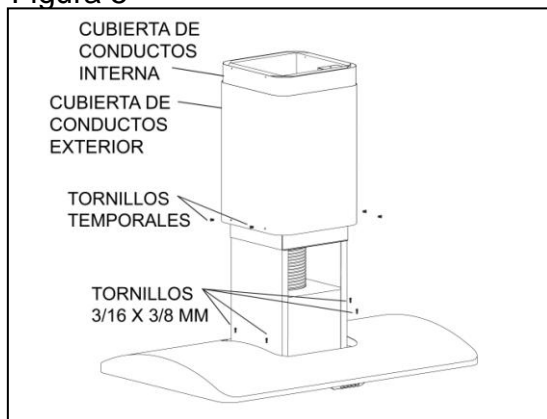
Instalación de Accesorios

14. Coloque los filtros deflectores debajo de la campana.

Ensamblaje Final

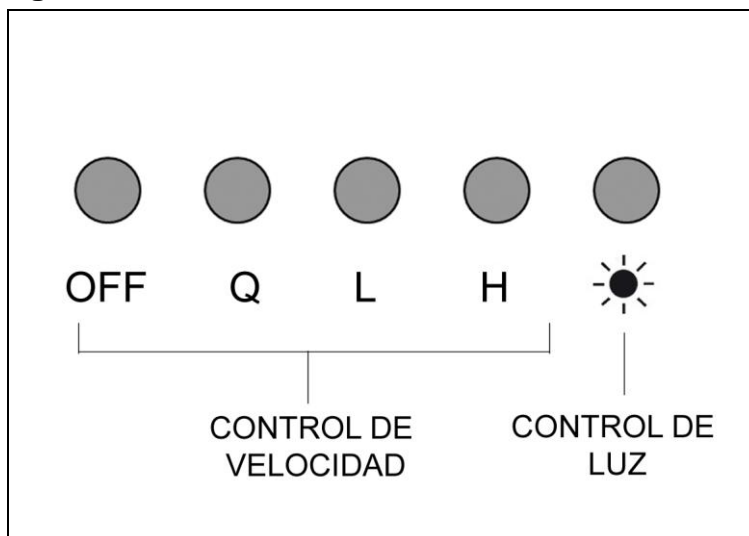
15. Remueva los tornillos temporales y deslice la cubierta de conductos exterior hacia abajo de manera que se acomode adecuadamente en la campana.
16. Encienda la unidad en el panel de control. Verifique el funcionamiento de la lámpara y el ventilador.
17. Asegúrese de dejar este manual con el propietario de la vivienda.

Figura 5



INSTRUCCIONES DE OPERACIÓN

Figura 6



Para hacer funcionar el ventilador

- Pulse el botón para elegir entre la velocidad.
 - Q= QuietMode™ velocidad
 - L = Baja velocidad
 - H = Alto velocidad
- Pulse "OFF" para apagar el ventilador.

Para hacer funcionar las luces

- Pulse el control de luz para encender las luces dentro y fuera.

MANTENIMIENTO

⚠️ ADVERTENCIA DE SEGURIDAD

NUNCA COLOQUE SUS MANOS DENTRO DE LA CAJA DEL VENTILADOR MIENTRAS ESTE SE ENCUENTRE FUNCIONANDO.

Limpieza de la Superficie de la Campana de Extracción

⚠️ PRECAUCIÓN: NUNCA UTILICE LIMPIADORES, ALMOHADILLAS O PAÑOS ABRASIVOS. NO UTILICE TOALLAS DE PAPEL SOBRE EL ACERO INOXIDABLE.

Para un funcionamiento óptimo, limpie la campana de extracción y todos los deflectores/separadores/filtros/conductos de aceite/recipientes para aceite con regularidad.

*** El cuidado regular ayudará a preservar la apariencia de la campana.

1. Utilice solamente jabón o soluciones detergentes suaves. Seque las superficies utilizando un paño suave.
2. Si la campana se ve manchada (campana de acero inoxidable), utilice un limpiador para acero inoxidable para limpiar la superficie de la campana. Evite que la solución de limpieza caiga sobre o en el panel de control. Siga las instrucciones del limpiador de acero inoxidable.
Precaución: No lo deje por mucho tiempo pues podría dañar el acabado de la campana. Utilice una toalla suave para limpiar la solución de limpieza y frote cuidadosamente cualquier área difícil de limpiar. Utilice una toalla suave y seca para secar la campana.
3. NO permita que depósitos se acumulen o permanezcan sobre la campana.
4. NO utilice lana de acero o cepillos de acero ordinarios. Pequeños pedazos de acero podrían adherirse a la superficie y causar óxido.
5. NO permita que soluciones de sal, desinfectantes, blanqueadores o compuestos de limpieza permanezcan en contacto con el acero inoxidable por periodos de tiempo prolongados. Muchos de estos compuestos contienen químicos, que podrían ser perjudiciales. Enjuague con agua después del contacto y seque con un paño limpio libre de pelusas.

Para Limpiar el Filtro Deflector

1. Remueva todos los filtros deflectores.
2. Lave con agua tibia jabonosa. Seque completamente antes de colocarlo de nuevo en su lugar.

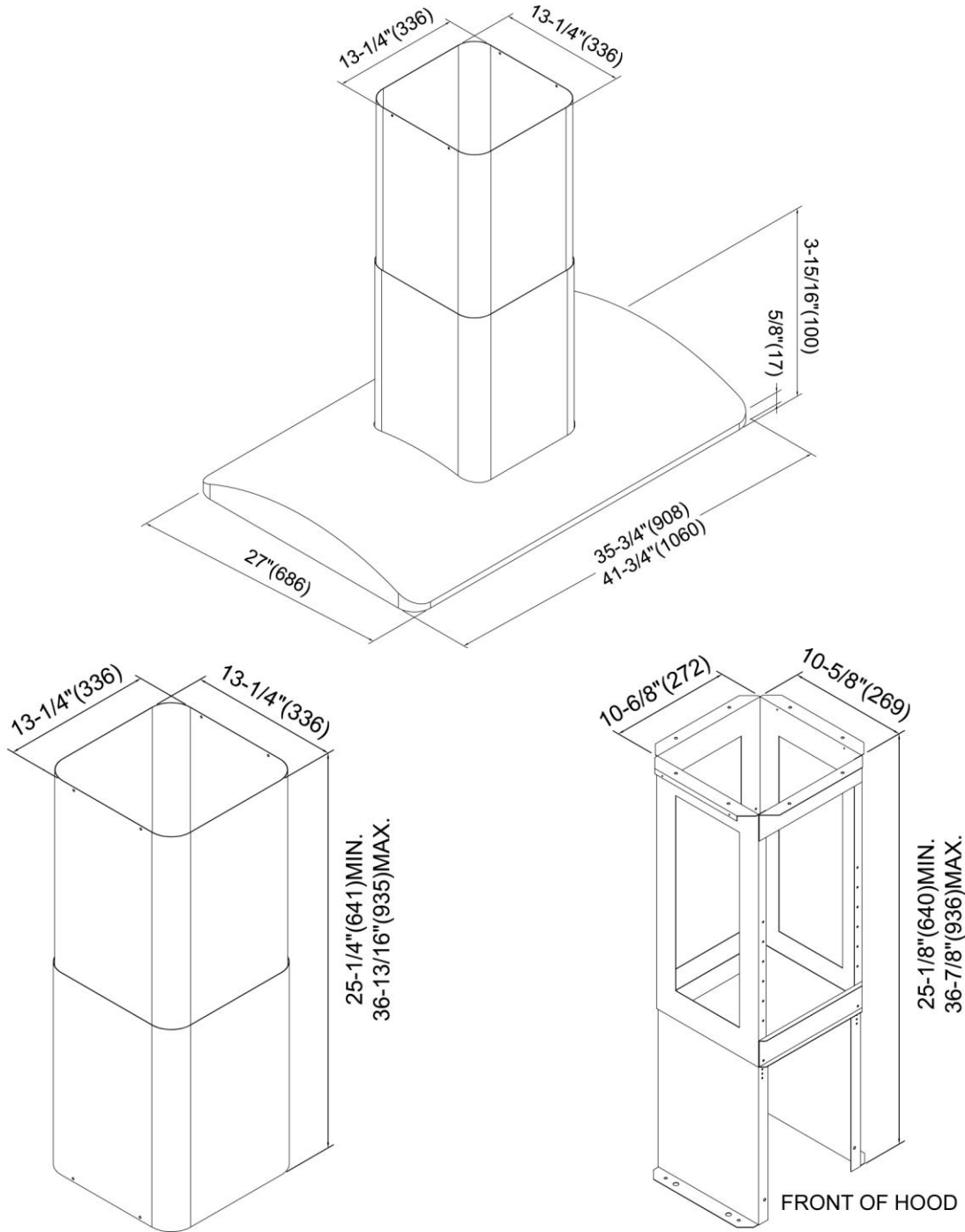
ESPECIFICACIONES

MODELO /TAMAÑO	IS2236SQF / 36" IS2242SQF / 42"		
COLOR	Acero Inoxidable de Clasificación Comercial		
CONSUMO/ AMPERAJE	211 W / 1.82 A		
VOLTAJE	120V 60Hz		
NUMERO DE MOTORES	1		
DISEÑO	Acabado Satinado		
TIPO DE VENTILADOR	Jaula de Ardilla Horizontal Doble		
EXTRACTOR	Superior Circular de 6"		
CONTROLES	Impulsar el sistema de control de botón		
FOCOS	LED 3 W x 4		
DIMENSIÓN DE LA CAMPANA (ANCHO X PROFUNDIDAD X ALTO)	(IS2236SQF) - 35-3/4" x 27" x 3-15/16" (IS2242SQF) - 41-3/4" x 27" x 3-15/16"		
DIMENSIONES DE LA CUBIERTA DE CONDUCTOS (ANCHO X PROFUNDIDAD X ALTO)	Cubierta de Conductos Ajustable de Dos Piezas (IS22DC) - 13-1/4" x 13-1/4" x (23-3/8" ~ 37-3/4")		
PESO (lbs)	(IS2236SQF) (IS2242SQF) (IS22DC)	<u>Neto</u> 20 21 43	<u>Bruto</u> 29 31 55
VELOCIDAD	QuietMode™	Baja	Alta
Capacidad de Aire (cfm)	280	480	700
Sonio*	1.3	2.8	4.8

*Las especificaciones están sujetas a cambio sin previo aviso.

MEDIDAS Y DIAGRAMAS

- ◆ Todas las medidas en () están en milímetros.
- ◆ Todas las medidas en pulgadas han sido convertidas de milímetros. Las medidas en pulgadas son medidas aproximadas.



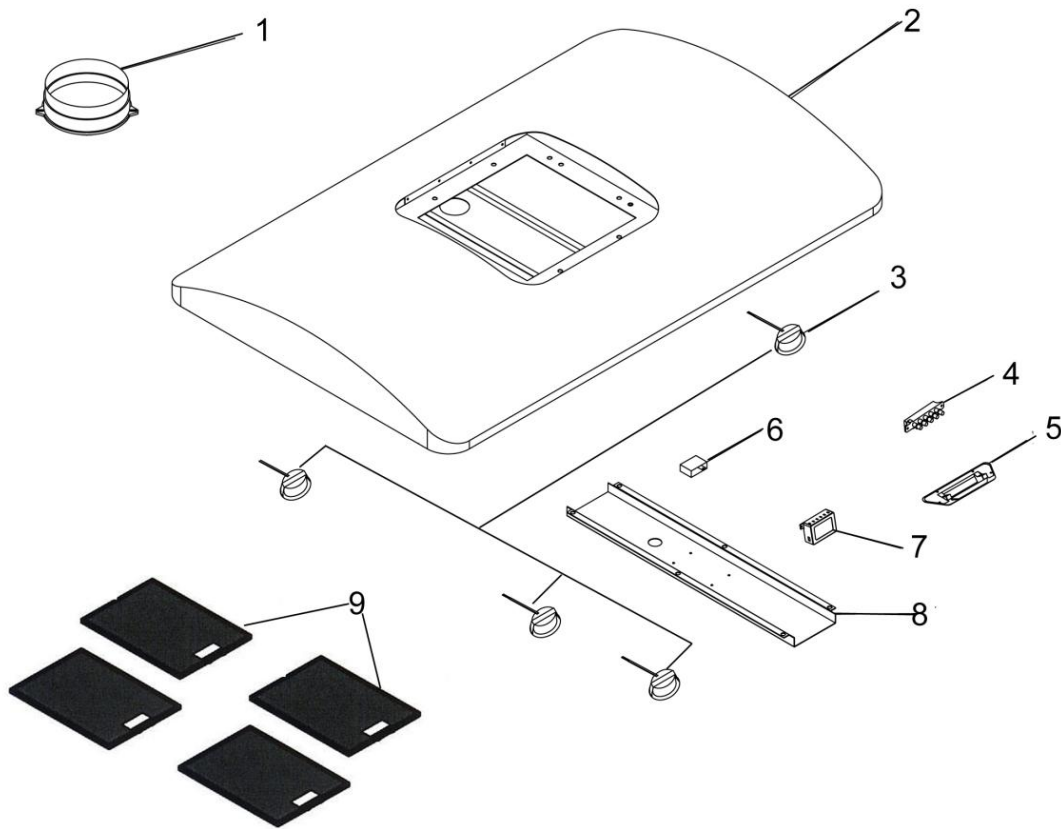
LISTADO DE PIEZAS

MODELO NO.: IS2236SQF
IS2242SQF

(Caja 1 de 2)			
NO.	DESCRIPCIÓN	MODELO / TAMAÑO	PIEZA NO.
1	Escape Redondo Plástico de 6"		C1-0505-0001
2	Carcasa de la Campana	IS2236SQF	B101-6036-02
		IS2242SQF	B101-6042-02
3	LED		C1-0403-0306
4	Panel de Control		C1-0405-0303
5	Soporte del Panel de Control		C1-0207-6200
6	Condensador		C1-0401-A350-035
7	Transformador (Luz)		C1-0402-D001
8	Panel de Luz		B101-0636-04B
9	Filtro Deflector	IS2236SQF	C1-0604-0105
		IS2242SQF	C1-0604-0107

(Caja 1 de 2)			
NO.	DESCRIPCIÓN	MODELO / TAMAÑO	PIEZA NO.
10	Cubierta de Conductos		B102-6000-36A/B
11	Chimenea Telescópica		C1-0203-600-36A/B
12	Cámara de Aire y Motor		C1-0302-A120-09
13	Pantalla de Seguridad		C1-0602-0103
14	Carcasa de la Motor		C1-0106-6000-A/B

Box 1 of 2



Box 2 of 2

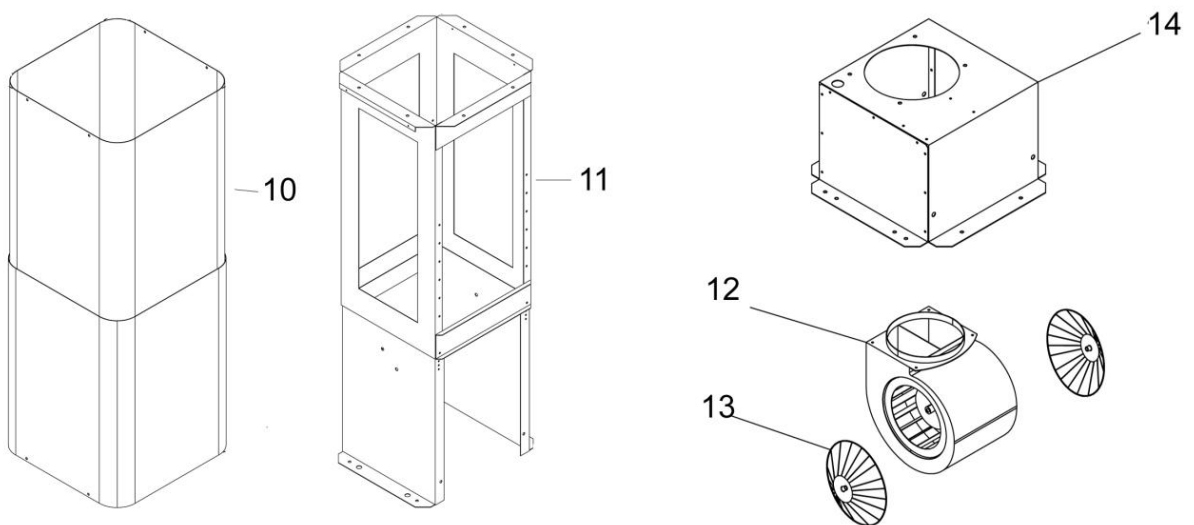
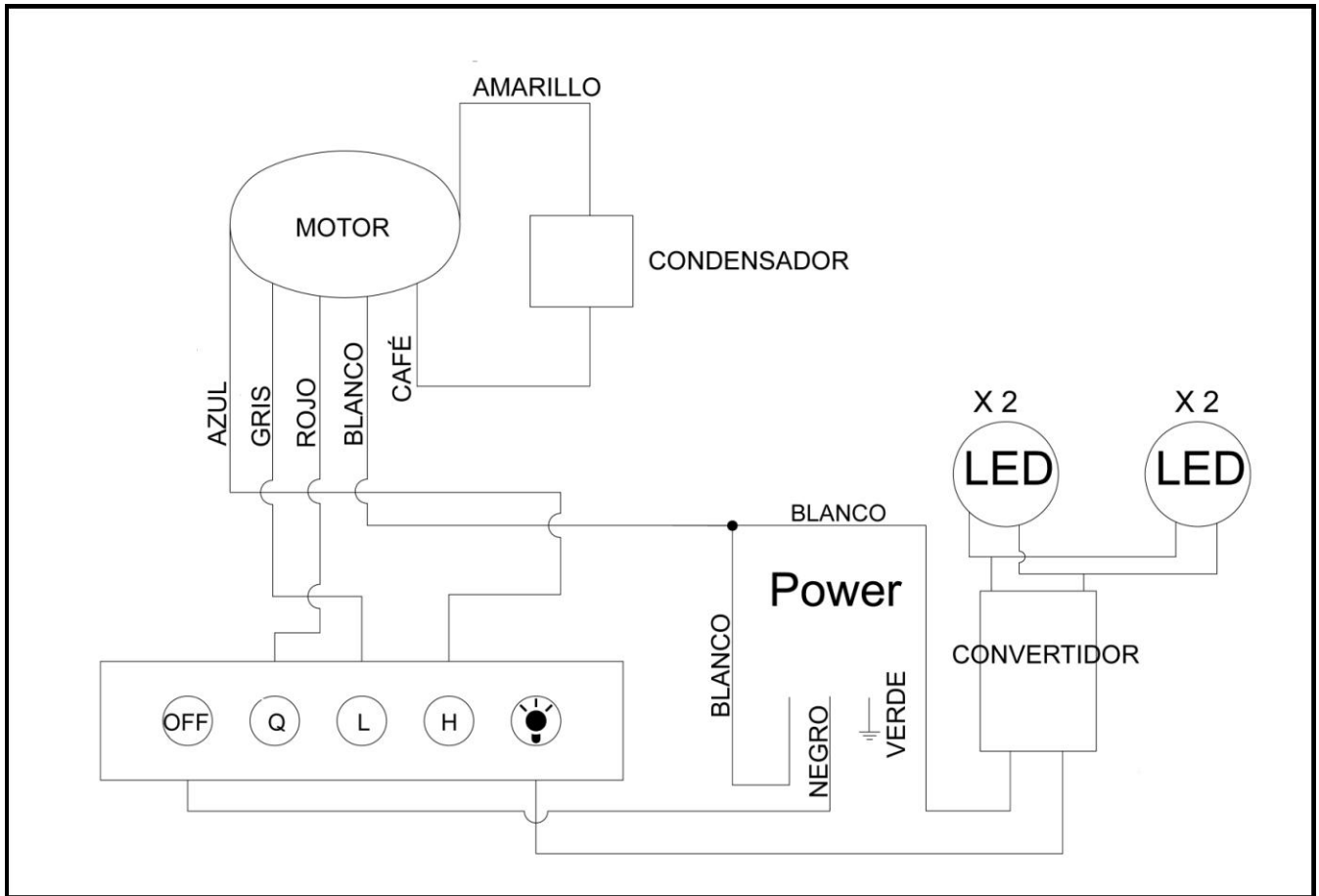


DIAGRAMA DE CIRCUITO

MODELO NO.: IS2236SQF
IS2242SQF



INSTRUCCIONES IMPORTANTES DE SEGURIDAD

Problema	Posible Causa	Solución
Después de la Instalación, ninguno de los motores ni las luces están funcionando.	No está encendido.	Asegúrese que el interruptor de circuitos y la unidad se encuentren encendidos. Utilice un medidor de voltaje para verificar la energía de entrada.
	La conexión de cables no está bien sujeta.	Verifique y ajuste la conexión de cables.
Las luces están funcionando pero el(los) motor(es) no.	El/los motor(es) está(n) defectuoso(s).	Reemplace el motor.
	El/los condensador(es) está(n) defectuoso(s).	Reemplace el(los) condensador(es).
La campana de extracción está vibrando.	El sistema de ventilador no está bien sujeto.	Tighten the turbine impeller/squirrel cage and air chamber.
	El impulsor de turbina/jaula de ardilla no está balanceado.	Ajuste el impulsor de turbina/jaula de ardilla y la cámara de aire.
	La campana no está bien sujeta en su lugar	Verifique la instalación de la campana, ajuste el soporte de montaje.
El motor está funcionando pero las luces no.	El(los) foco(s) de la Lámpara de Halógeno está(n) defectuoso(s).	Intente colocar el foco que le está dando problemas en otro receptáculo que funcione, si aún así éste no funciona, reemplace el foco de halógeno.
	El cableado de la luz está flojo.	Verifique la continuidad del cable desde la placa de procesador al transformador de la luz hasta la caja de la lámpara de halógeno.
	El transformador de la luz está defectuoso.	Verifique la entrada y salida de la corriente en el transformador de la luz. De ser necesario, reemplace el transformador de la luz.
La campana de extracción no está ventilando correctamente.	La campana de extracción no se encuentra instalada en el espacio recomendando por el fabricante.	Ajuste el espacio entre la campana y la parte superior de la estufa a 27" a 30". Para la campana de cocina de isla, el espacio entre la campana y la parte superior de la estufa deberá ser de 30" a 36"
	No hay aire de reposición en la casa.	Abra la ventana para optimizar el rendimiento de la campana de extracción creando suficiente aire de reposición.
	Una obstrucción bloquea la red de conductos.	Remueva todas las obstrucciones de la red de conductos.
	El tamaño del tubo es más pequeño que el tubo recomendado.	Cambie los tubos de acuerdo con la recomendación del fabricante.
Aire frío entra en la casa	La conexión de los conductos no está sellada correctamente.	Verifique la instalación de los tubos
	El regulador no está instalado.	Instalar el regulador le ayudará a eliminar el reflujo de aire.

GARANTIA

CERTIFICADO DE GARANTIA

KOBE Range Hoods (denominados aquí como "nosotros" o "nosotros") le garantiza al comprador original (referido aquí como "usted" o "su") todos los productos fabricados o suministrados por nosotros para estar libres de defectos de fabricación y materiales, como sigue:

DOS AÑOS DE GARANTÍA LIMITADA DE LAS PIEZAS Y MANO DE OBRA DE SERIE KOBE PREMIUM:

Durante dos años a partir de la fecha de la factura original de un distribuidor autorizado de KOBE, nosotros, a nuestra sola discreción, optamos por reparar o reemplazar el producto sin cargo que ha fallado debido a defectos de fabricación.

Solo es su responsabilidad asegurar que el producto es de fácil acceso para el técnico de servicio que realice las reparaciones. **El técnico de servicio no será, en ningún caso, eliminar, alterar o modificar cualquier artefacto construido alrededor y / o conectado al producto para obtener acceso para realizar reparaciones.**

Durante el período de garantía limitada de dos años, pueden aplicar cargos adicionales que incluyen pero no se limitan a:

- Cargos de viaje si el técnico de servicio si la ubicación del servicio requerido es de 30 kilómetros fuera de la zona de servicio autorizada KOBE
- Piezas gastos de envío
- Desinstalación del producto defectuoso e instalación de productos de sustitución

UN AÑO DE GARANTÍA LIMITADA PARA PIEZAS DE KOBE SERIES BRILLIA:

Durante un año a partir de la fecha de la factura original de un distribuidor autorizado de KOBE, nos proporcionará, sin costo alguno, las piezas para reemplazar los que ha fallado debido a defectos de fabricación. Es nuestra entera discreción, de optar por reparar o sustituir las piezas defectuosas. Es solo su responsabilidad por todos los gastos laborales asociados con esta garantía.

Exclusiones de la garantía:

Esta garantía no cubre, incluyendo pero no limitado a lo siguiente:

- a. Una instalación incorrecta.
- b. Cualquier reparación, alteración, modificación no autorizada por KOBE.
- c. Alteración del conducto, modificación y conexión.
- d. Incorrecta corriente eléctrica, voltaje o cableado.
- e. El mantenimiento normal y servicios que son requeridos por el producto.
- f. Piezas de consumo como bombillas y filtros de carbono.
- g. Uso inadecuado del producto que no está destinado a, como el uso comercial, uso al aire libre y el uso multifamiliar.
- h. El desgaste normal.
- i. Chips, arañazos o abolladuras por abuso o mal uso del producto.
- j. Los daños causados por accidentes, incendios, inundaciones y otros fenómenos naturales.
- k. Los gastos incurridos por servicios situado fuera del área de servicio designado.

l. Las compras a distribuidores no autorizados.

m. Costos de eliminación de productos defectuosos e instalación asociados con el producto de reemplazo.

Si determinamos que las exclusiones de garantía que aparecen arriba son aplicables o si usted no puede proporcionar toda la documentación necesaria para el servicio de garantía, usted será responsable por todos los gastos asociados con el servicio solicitado, incluyendo piezas, mano de obra, transporte, viaje y cualquier otro gasto relacionado con la solicitud de servicio.

Para tener derecho al servicio de garantía, usted debe:

1. Tener el comprobante de compra original
2. Ser el comprador original del producto
3. Tenga el número de modelo
4. Tenga el número de serie
5. Tener una descripción de la naturaleza de cualquier defecto en el producto o pieza

PARA SOLICITAR EL SERVICIO DE GARANTÍA, POR FAVOR CONTACTE EL CENTRO DE SERVICIO DE KOBE RANGE HOOD :

CENTRO DE SERVICIO DE KOBE

Tel: 1-855-800-KOBE (5623)

E-mail: kobe@adcoservice.com

FORMULARIO DE INFORMACION DE GARANTIA

Llene los espacios en blanco y guarde este papel con la factura original en un lugar seguro para el propósito de servicio en el futuro.

1. Fecha de compra : _____

2. No. de Modelo : _____

3. No. de Serie : _____

Para obtener el servicio de garantía o compra de repuesto de piezas póngase en contacto con:

KOBE Service Center

Toll Free: 1-855-800-KOBE (5623)

Email: kobe@adcoservice.com

Para reportarse del problema, póngase en contacto con:

Toll Free: 1-877-BUY-KOBE (289-5623)

Email: customer.service@koberangehoods.com

Para informaciones del producto:

Toll free: 1-877-BUY-KOBE (289-5623)

Email: info@koberangehoods.com

Sus notas:



KOBE Range Hoods
11775 Clark Street
Arcadia, CA 91006 USA

<http://www.KOBERangeHoods.com>

This KOBE hood is made for use in the USA and CANADA only. We do not recommend using this hood overseas as the power supply may not be compatible and may violate the electrical code of that country. **Using a KOBE hood overseas is at your own risk and will void your warranty.**

Cette hotte KOBE est fabriquée pour usage aux États-Unis et au Canada seulement. Il n'est pas recommandé d'utiliser cette hotte à l'étranger puisque l'alimentation électrique pourrait ne pas être compatible et enfreindre le code de l'électricité de ce pays. **L'usage de la hotte KOBE à l'étranger est à votre propre risque et la garantie sera annulée.**

Esta campana de extracción KOBE ha sido fabricada para ser utilizada únicamente en EE.UU. y CANADÁ. No recomendamos la utilización de esta campana en el extranjero debido a que la fuente de energía podría no ser compatible y podría violar el código eléctrico de dicho país. **Utilizar una campana KOBE en el extranjero será a su propio riesgo y anulará la garantía.**

Information subject to change without notice.

VER.110701