



**So Quiet...
You Won't Believe It's On!**

Recirculating Under Cabinet or Wall Mount RA-038 Series (RA-038-SQD)

Model No. RA3830SQD (30")
RA3836SQD (36")

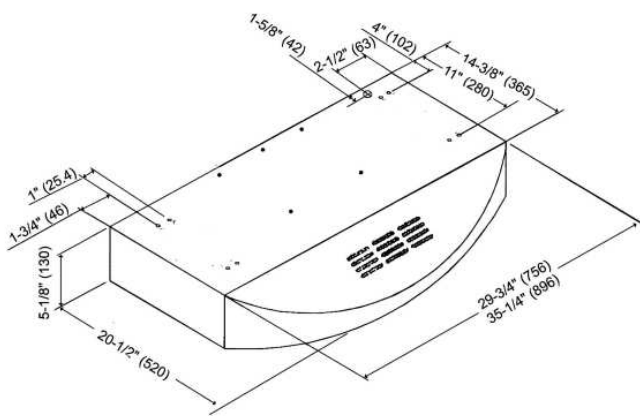


RA-038 Series shown
with optional duct cover.

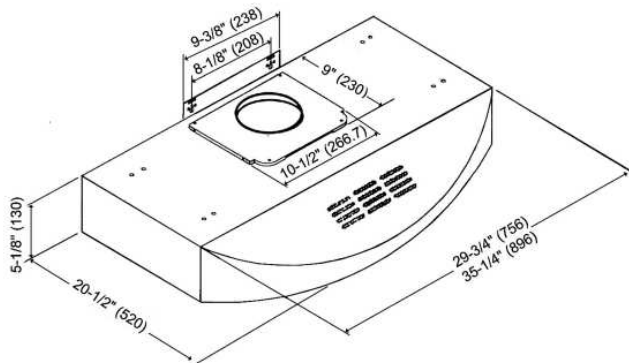


Appearance	
Stainless Steel	●
Seamless	●
Performance	
CFM	150 to 400
Sone / Decibel	2.0 to 4.6 / 50dB to 62.5dB
QuietMode™	2.0 Sones / 50dB
Features	
Halogen Light	12V 20W x 2
Power Supply / Consumption	120V 60Hz / 147W 1.27A
No. of Speed	4 (Electronic Control)
Fan Type	Twin Vertical Turbine Impeller
Ducting	Ductless
Filter	Safety Screen with Charcoal Filter Set
Optional Accessories	
Duct Cover	RA1020DC
Stainless Steel Back Splash	SSP30 (30" x 32"), SSP36 (36" x 32")

Under Cabinet (30", 36")



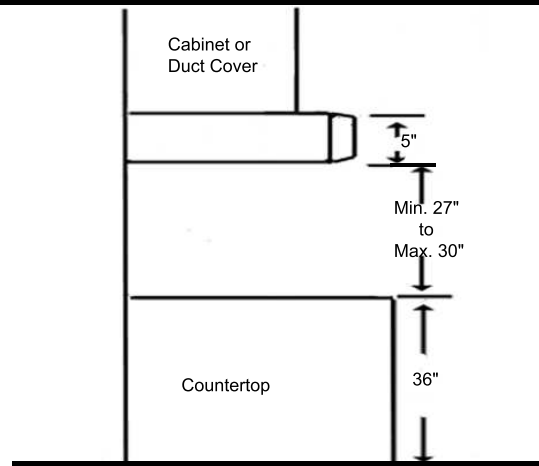
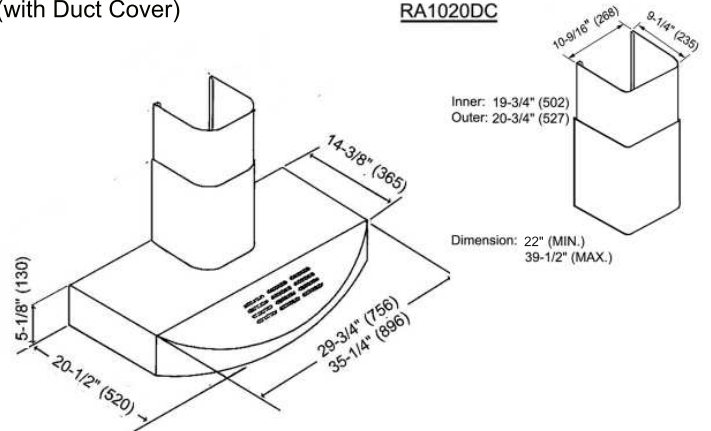
Wall Mount (30", 36")



Optional Accessories

Wall Mount (with Duct Cover)

Duct Cover RA1020DC



Information subject to change without notice.

* Building code may vary.