



**So Quiet...  
You Won't Believe It's On!**

**Wall Mount**

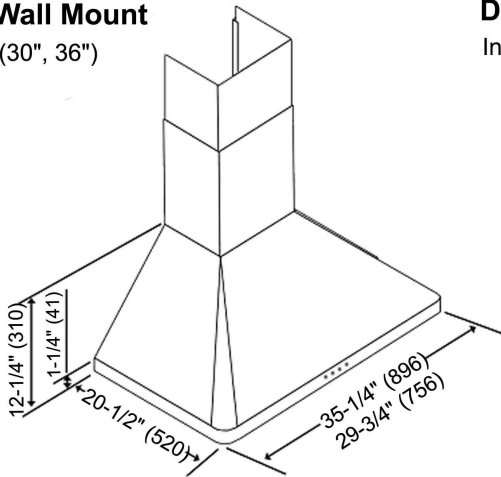
**RA-094 Series**



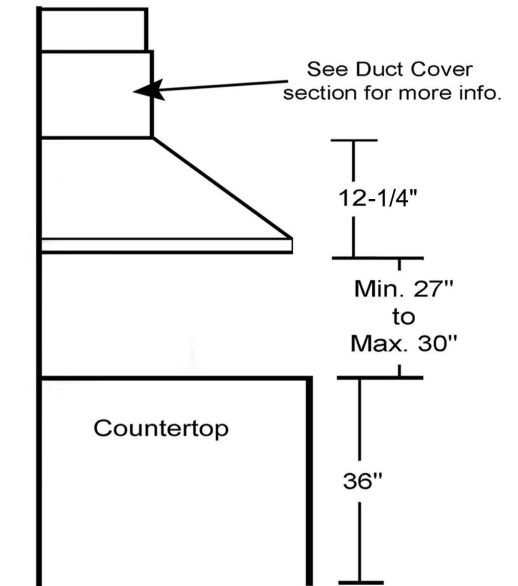
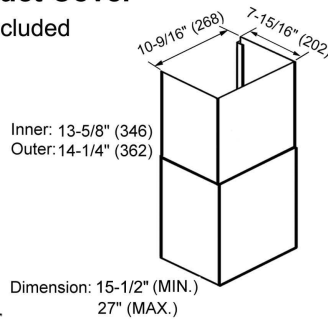
**Model No. RA9430SQB (30")**  
**Model No. RA9436SQB (36")**

<b>Appearance</b>	
<b>Stainless Steel</b>	•
<b>Seamless</b>	•
<b>Performance</b>	
<b>CFM</b>	280 to 760
<b>Sone / Decibel</b>	1.2 to 4.5 / 42dB to 62dB
<b>QuietMode™</b>	1.2 Sones / 42dB
<b>Features</b>	
<b>Halogen Light</b>	12V 20W x 2
<b>Power Supply / Consumption</b>	120V 60Hz / 215W 1.79A
<b>No. of Speed</b>	4 (Electronic Buttons)
<b>Fan Type</b>	Double Horizontal Squirrel Cage
<b>Ducting</b>	Top 6" Round
<b>Filter</b>	Baffle (30" - x 2), (36" - x 3)
<b>Optional Accessories</b>	
<b>Extension Duct Cover</b>	RA0930DC & RA0946DC
<b>Stainless Steel Back Splash</b>	SSP30 (30" x 32"), SSP36 (36" x 32")

**Wall Mount**  
(30", 36")



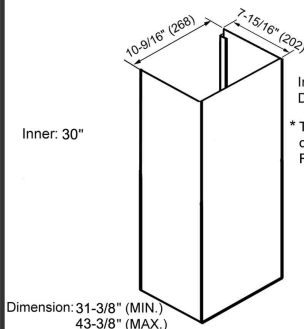
**Duct Cover**  
Included



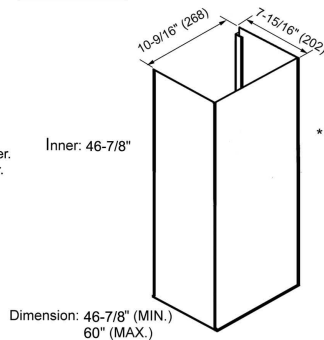
**Optional Accessories**

Extension Duct Cover  
RA0930DC

RA0946DC



Inner Duct Cover only  
\* This portion replaces original inner duct cover. Requires original outer.



Inner Duct Cover only  
\* This portion replaces original inner duct cover. Requires original outer.

Information subject to change without notice.

\* Building code may vary.