

Job Name : \_\_\_\_\_  
 Purchaser : \_\_\_\_\_  
 Engineer : \_\_\_\_\_  
 Submitted To : \_\_\_\_\_  
 Submitted By : \_\_\_\_\_

Location : \_\_\_\_\_  
 P.O. No. : \_\_\_\_\_  
 Architect : \_\_\_\_\_  
 Date : \_\_\_\_\_  
 For :  Reference  Approval  Construction

Item	Plan Designation	Quantity	Cooling Btu/h	Voltage	LG TTW Model No.

## Submittal Data : Through-The-Wall Air Conditioner

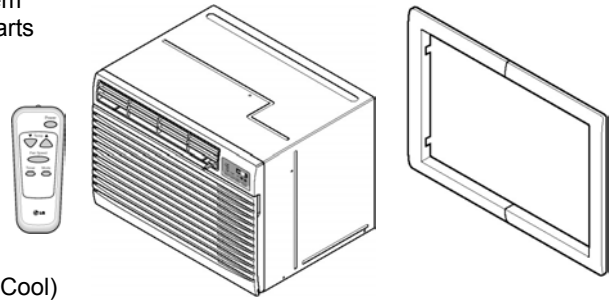


### Standard Features :

- Five Year Parts and Labor Warranty on Sealed Refrigerant System
- One Year Full System Warranty on Parts and Labor, 2~5 Year Parts
- R-22 Refrigerant
- High Energy Efficiency
- Digital Control Display
- Gold Fin™ Anti-corrosion Treatment for Condenser
- Wireless Remote Controller
- Auto Restart
- Energy Saver Mode
- Temperature Display on unit
- Unit Dimension (w\*h\*d) : 24 21/32" \* 14 13/32" \* 19 21/32" (Heat Cool)  
 24" \* 14 13/32" \* 20 3/32" (Cooling Only)

**Unit (Heat Cool)**

**Trim (with the Unit)**



### Unit Specification (Heat Cool)

Model No.	Cooling (Btu/h)	EER	Electric Heating (Btu/h)	Power Supply (V,Ph,Hz)	Air Circulation (CFM, H/L)	Dehumidification (pts/hr)	Current (Amps)		Input (Watts)		Maximum Overcurrent Protection	Weight Net/Gross (lbs)
							Cooling	Electric Heating	Cooling	Electric Heating		
LT1030HR	10,000/9,800	9.4/9.4	11,200/9,200	230/208,1,60	285/225	3.2	4.7/5.2	15.3/14.0	1,060/1,040	3,500/2,900	20	80/87
LT1230HR	11,700/11,400	9.4/9.4	11,200/9,200	230/208,1,60	290/230	3.8	5.8/6.2	15.3/14.0	1,250/1,210	3,500/2,900	20	81/88

### (Cooling Only)

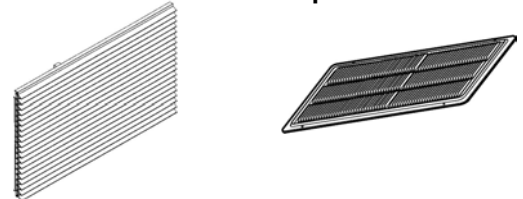
Model No.	Cooling (Btu/h)	EER	Electric Heating (Btu/h)	Power Supply (V,Ph,Hz)	Air Circulation (CFM, H/L)	Dehumidification (pts/hr)	Current (Amps)		Input (Watts)		Maximum Overcurrent Protection	Weight Net/Gross (lbs)
							Cooling	Electric Heating	Cooling	Electric Heating		
LT0810CR	8,000	9.6	-	115,1,60	260/220	2.2	7.5	-	830	-	15	73/80
LT1010CR	9,800	8.8	-	115,1,60	285/225	3.2	10.2	-	1,110	-	15	78/85
LT1030CR	10,000/9,800	9.4/9.4	-	230/208,1,60	285/225	3.2	4.7/5.2	-	1,060/1,040	-	15	78/85
LT1210CR	11,500	8.8	-	115,1,60	290/230	3.8	12.1	-	1,300	-	15	80/87
LT1230CR	11,700/11,400	9.4/9.4	-	230/208,1,60	290/230	3.8	9.4/9.4	-	1,250/1,210	-	15	80/87
LT1430CR	13,200/12,800	8.5/8.5	-	230/208,1,60	310/250	4.3	7.1/7.6	-	1,550/1,500	-	15	87/94

### Accessories

Wall Sleeve (26"w*15 17/32"h*16 23/32"d)	AXSVA1A-1
Architecture Grille - Amuminum	AXAGALA01A
Stamped Aluminum Grille	AXRDALA01

**Architecture Grille**

**Stamped Aluminum Grille**



### Note :