



COUNTER MICROWAVE OVEN

# LMC1541

## PERFORMANCE

- 1.5 cu.ft. Oven Capacity
- 1000 Watts of Microwave Output Power
- 1500 Watts Convection Output Power
- Three Way Microwave/Convection Combination Cooking
- Microwave Sensor Touch Functions
- One-Touch Convection Cooking Functions
- Intellrowave™ Even Heat System
- Stainless Steel Interior
- Recessed Turntable System
- Built-In Trim Kit Available

# COUNTER MICROWAVE OVEN



## Three-way Microwave Convection Combination Cooking

LG combines unique Intellrowave™ microwave technology with convection technology creating a fast, convenient and versatile cooking appliance. With these combined technologies, bake, brown, roast, defrost and microwave food quickly – all within the same appliance! 3 cooking modes allow microwaves, convection, or a combination of both. Convection roasting employs a fan and heating element to circulate hot air (up to 450°F) around the meat for quickly browning the exterior, sealing in juices and flavour. Using both microwave and convection heat provides faster, more evenly cooked food that tastes juicy and flavourful.

## Acts as a convenient second oven

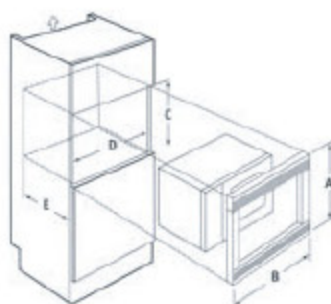
You'll find yourself using it more often than your traditional oven!

Enjoy oven baked convenience foods like frozen pizza, french fries, pastries or chicken nuggets faster than full size traditional ovens using the rapid pre-heat and convection baking mode.

With a super-fast pre-heating function (under 4 minutes) and capability of reaching temperatures up to 450°F, this model acts as a convenient second oven for preparing multiple dishes, great for busy baking and roasting times during holidays or when entertaining friends and family!

## Built-In Microwave Oven Trim Kits

Ideal for kitchens with limited counter space, LG provides optional trim kits which allow installation of this countertop microwave oven into any wall cavity, giving it a clean, custom, built-in look.



## Intellrowave™ Even Heat System

Food is more evenly heated with less hot and cold spots! This exclusive technology utilizes two specially designed ports within the microwave cavity to emit microwave energy in a continuous circular fashion. Grooves on the back of the cavity help scatter the microwaves along the turntable, creating a three dimensional pattern which helps cook food more evenly.



LG Electronics Canada Inc.  
550 Matheson Blvd. E. Mississauga, Ontario L4Z 4G3, Canada  
Tel: 905-568-6800 Fax 905-507-9649 www.lg.ca  
Call Toll-free for Customer Parts & Service  
1-888-LG-Canada www.lgeservice.com/techsup.html

All trademarks are property of their respective owners.  
Design and specifications are subject to change without notice.  
Printed January 2008

## LMC1541

### CAPACITY

Oven Cavity (cu.ft) : 1.5

### FEATURES

Output Power : Microwave 1000W, Convection Heater: 1500W  
Cavity Design Stainless Steel  
Control Type Touch  
Display 2 Line Scroll VFD Display  
Available Colours White (LMC1541SW), Black (LMC1541SB)

### COOKING FEATURES

Sensor Touch Functions 3 (Sensor Cook, Sensor Reheat, Sensor Popcorn)  
Convection Cooking Functions 3 (Cook, Auto Cook, Auto Bake)  
Microwave/Convection  
Combination Cooking Functions 2 (Roast, Bake)  
Intellrowave™ Even Heat System  
Power Levels 10  
Ez-Defrost (for 1 lb ground meat only)  
Ez-On  
More/Less  
Custom Set  
Hold/Warm

### CONVENIENCE FEATURES

Recessed Turntable  
Turntable Diameter 12.8"  
Clock/ Kitchen Timer  
Help

### SAFETY

Child lock

### ACCESSORIES

Metal Rack  
Built-In Trim Kits : White 27" (CMK1527W), White 30" (CMK1530W), Black 30" (CMK1530B)

### DIMENSIONS

Cavity (WxHxD) 15 1/4" x 10 7/8" x 15 1/4"  
Exterior (WxHxD) 22 5/8" x 14 7/8" x 20"  
Product Weight (lbs.) 53  
Shipping Weight (lbs.) 60

### UPS CODES

LMC 1541SB 772454013829  
LMC 1541SW 772454014000

**WARRANTY INFORMATION** 1 year full warranty on parts and labour. 5 years on magnetron.

MODEL	CMK-1930W/B/S	CMK-1927W/B/S	CMK-1530W/B/S	CMK-1527W/S	CMK-1730W/B/S
EXTERIOR B:W	29-25/32"	26-27/32"	29-3/4"	26-3/4"	29-7/8"
A:H	19-1/64"	19-1/64"	20-5/16"	20-5/16"	19-1/8"
INTERIOR W	24"	24"	22-5/8"	22-5/8"	22-3/4"
H	12-7/8"	12-7/8"	14-7/8"	14-7/8"	12-15/16"
CUTOUT D:W	28-1/2"(max) 25-1/2"(min)	25-1/2"	28-1/2"(max) 25-1/2"(min)	25-1/2"	28-1/2"(max) 25-1/2"(min)
C:H	16-3/4"	16-3/4"	17-3/4"	17-3/4"	16-3/4"
E:D	21" plug is flush mounted	21-1/2" plug is flush mounted	21-1/2" plug is flush mounted	21-1/2" plug is flush mounted	21" plug is flush mounted
	22-3/4" plug is NOT flush mounted	22-3/4" plug is NOT flush mounted	22-3/4" plug is NOT flush mounted	22-3/4" plug is NOT flush mounted	22-3/4" plug is NOT flush mounted