



ENGLISH

ESPAÑOL

OWNER'S MANUAL GAS DOUBLE OVEN RANGE

Please read this guide thoroughly before operating and keep it handy for reference at all times.

LDG3037ST
LDG3036ST
LDG3035ST

LDG3035SB
LDG3035SW
LDG3031ST

LDG3036BD



MFL33029617

(REV.03 150211)

www.lg.com

TABLE OF CONTENTS

3 PRODUCT FEATURES

4 IMPORTANT SAFETY INSTRUCTIONS

10 BEFORE USE

- 10 Accessories
- 11 Components

12 HOW TO USE

- 12 Gas Surface Burners
 - 12 - Before Use
 - 13 - Gas Burners
 - 13 - Using the Gas Surface Burners
 - 14 - Top-of-Range Cookware
 - 15 - Using the Griddle (LDG3036ST / LDG3036BD / LDG3037ST)
- 16 How to Use the Oven
 - 16 - Before Use
 - 18 - Using the Control Panel
- 20 Operating Instructions
 - 20 - Convection auto conversion (LDG3036ST / LDG3036BD / LDG3037ST)
 - 20 - Temperature
 - 20 - Language
 - 20 - Preheating Alarm light
 - 21 - Oven light
 - 21 - Beeper volume
 - 21 - Fahrenheit or Celsius
 - 21 - Clock
 - 22 - Timer
 - 22 - Lockout
 - 22 Removing and Replacing the Oven Racks
- 23 BAKE (Upper & Lower Oven)
- 24 BROIL (Upper Oven)
- 24 SPEED BROIL (LDG3037ST Upper Oven Only)
- 29 TIMED COOK (Upper & Lower Oven)
- 29 DELAYED TIMED COOK (Upper & Lower Oven)
- 30 How to use convection for the lower oven (LDG3036ST / LDG3036BD / LDG3037ST)

- 30 - CONVECTION BAKE FOR THE LOWER OVEN (LDG3036ST / LDG3036BD / LDG3037ST)
- 32 Preheating and Pan Placement
- 32 - CONVECTION ROAST FOR THE LOWER OVEN (LDG3036ST / LDG3036BD / LDG3037ST)
- 33 Special Features
 - 33 - PIZZA (Upper Oven) (Except LDG3037ST)
 - 33 - KIDS MEAL (LDG3037ST Upper Oven Only)
 - 34 - WARM (Upper & Lower Oven)
 - 34 - PROOF (Lower Oven)
 - 35 - FAVORITE (LDG3036ST / LDG3036BD / LDG3037ST Lower Oven)
 - 35 - SABBATH (Upper & Lower Oven)

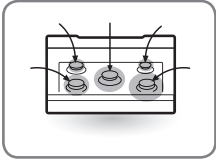
36 CARE AND CLEANING

- 36 Gas Surface Burner
 - 36 - Removing and Replacing the Gas Surface Burner
 - 37 - Burner Heads/Caps
 - 37 - Burner Grates
 - 38 - Cooktop Surface
 - 38 - Stainless Steel Surfaces
 - 38 - Oven Air Vents
- 38 Control Panel
 - 38 - Front Manifold Panel and Knobs
- 39 Oven Door
 - 39 - Removing and Replacing the Doors
- 41 Inside of the Oven
 - 41 - SELF CLEAN (Upper & Lower Oven)
 - 43 - EasyClean™
 - 45 - Changing the Oven Light
 - 45 - Broiler Pan and Grid (Sold separately)
 - 45 - Oven Racks

46 BEFORE REQUESTING SERVICE

49 WARRANTY

PRODUCT FEATURES



MULTIPLE GAS BURNER SIZES

Choose a burner to fit the size of your cookware.

Cooking multiple items at once is possible by using different burners at the same time.



SAFE AND CONVENIENT GAS RANGE

Provides safety and convenience for cooking.

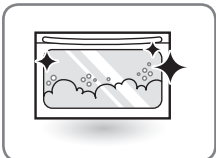
Superboil (17000 BTU) can quickly bring a pot of water to a boil.



UPPER OVEN / LOWER OVEN

Separate upper and lower ovens.

Choose to use either oven, or both, depending on the size of your food.



SELF CLEAN & EasyClean™

Good for easy cleaning.

IMPORTANT SAFETY INSTRUCTIONS

Always comply with the following precautions to avoid dangerous situations and to ensure the peak performance of your product.

WARNING

Indicates a hazardous situation which, if not avoided, could result in death or serious injury.

CAUTION

Indicates a hazardous situation which, if not avoided, could result in minor or moderate injury.

WHAT TO DO IF YOU SMELL GAS

1. Open windows.
2. **DO NOT** try to light any appliance.
3. **DO NOT** touch any electrical switch.
4. **DO NOT** use any phone in your building.
5. Immediately call your gas supplier from a neighbor's phone. Follow the gas supplier's instructions.
6. If you cannot reach your gas supplier, call the fire department.

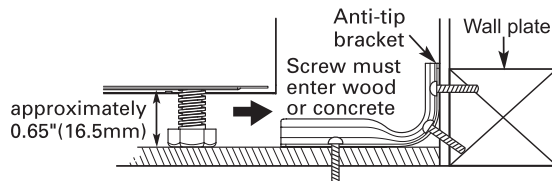
ANTI-TIP DEVICE

WARNING

- ALL RANGES CAN TIP
- INJURY TO PERSONS COULD RESULT
- INSTALL ANTI-TIP DEVICES PACKED WITH RANGE
- SEE INSTALLATION INSTRUCTIONS



- **DO NOT step or sit on the door. Install the Anti-Tip Bracket packed with this range.**
 - The range could be tipped and injury might result from spilled hot liquid, food, or the range itself.
 - If the range is pulled away from the wall for cleaning, service, or any other reason, ensure that the Anti-Tip Device is properly reengaged when the range is pushed back against the wall.



- To reduce the risk of the range tipping over, the range must be secured by properly installing the anti-tip devices.
- To check that the anti-tip bracket is properly installed: Remove any items on the cooktop. Grasp the top rear edge of the range back guard and carefully attempt to tilt it forward. Verify that the anti-tip devices are engaged.
- Remove the warming or storage drawers and visually inspect that the rear leveling leg is fully inserted into the anti-tip bracket.
- Refer to the installation manual for proper anti-tip bracket installation.

IMPORTANT SAFETY NOTICE

Enforcement Act requires the Governor of California to publish a list of substances known to the state to cause birth defects or other reproductive harm, and requires businesses to warn customers of potential exposure to such substances.

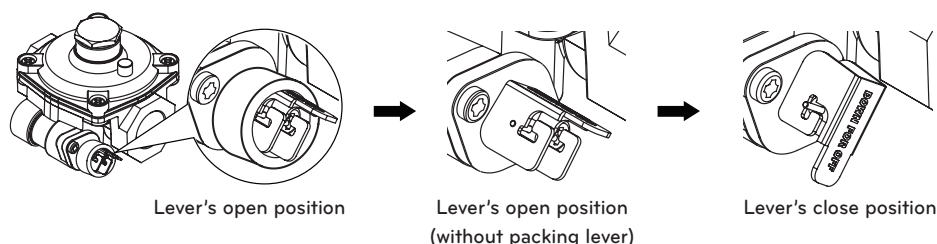
Gas appliances can cause minor exposure to four of these substances, namely benzene, carbon monoxide, formaldehyde and soot, caused primarily by the imperfect combustion of natural or LP gas.

Correctly adjusted burners, indicated by a bluish rather than a yellow flame, will minimize imperfect combustion. Exposure to these substances can be minimized by opening windows or using a ventilation fan or hood.

SAFETY PRECAUTIONS

Have the installer show you the location of the range gas shut-off valve and how to shut it off if necessary.

- Make sure your range is properly installed and grounded by a qualified installer, according to the installation instructions. Any adjustment and service should be performed only by qualified gas range installers or service technicians.
- Plug your range into a 120-volt grounded outlet only. Do not remove the round grounding prong from the plug. If in doubt about the grounding of the home electrical system, it is your personal responsibility and obligation to have an ungrounded outlet replaced with a properly grounded, three-prong outlet in accordance with the National Electrical Code. Do not use an extension cord with this range.
- **DO NOT** use an adapter plug, an extension cord, or remove the grounding prong from the electrical power cord to prevent fire hazard or electrical shock. Failure to follow this warning can cause serious injury, fire or death.
- To prevent poor air circulation, place the range out of kitchen traffic path and out of drafty locations.
- **DO NOT** attempt to repair or replace any part of your range unless it is specifically mentioned in this manual. All other services should be referred to a qualified technician.
- Make sure that all packaging materials are removed from the range before operating it to prevent fire or smoke damage should the packaging material ignite.
- Make sure your range is properly adjusted by a qualified service technician or installer for the type of gas (natural or LP) that is to be used. Your range can be converted for use with either type of gas. See the installation instructions.
- In an emergency situation or if you want to shut off the gas supply, remove the packing rubber from the regulator in the backside, and then close the regulator's valve by positioning the lever as shown in the figure below.



! WARNING

These adjustments must be done by a qualified service technician according to the manufacturer's instructions and all codes and requirements of the authority having jurisdiction. Failure to follow these instructions could result in serious injury or property damage. The qualified agency performing these adjustments assumes responsibility for the conversion.

- After using your range for a long time, high floor temperatures may result and many floor coverings will not withstand this kind of use.
- **NEVER** install the range over vinyl tile or linoleum that cannot withstand such type of use. Never install it directly over interior kitchen carpeting.

! CAUTION

Items of interest to children should not be placed in cabinets above a range or on the backsplash of a range—children climbing on the range to reach items could be seriously injured.

- **DO NOT** leave children alone or unattended where a range is hot or in operation. They could be seriously burned.
- **DO NOT** let anyone climb, stand or hang on the oven door, warming drawer or cooktop. They could damage the range and even tip it over, causing severe personal injury.
- Wear gloves when cleaning the range to avoid injury or burn

 **WARNING**

- This product contains chemicals known to the State of California to cause cancer. **Wash hands after handling.**

 **WARNING**

- **NEVER** use your range as a space heater to heat or warm the room. Doing so may result in carbon monoxide poisoning and overheating of the oven.
- **NEVER** wear loose fitting or hanging garments while using the appliance. Be careful when reaching for items placed in cabinets over the range. Flammable materials could be ignited if brought in contact with flame or hot oven surfaces and may cause severe burns.
- **DO NOT** place flammable materials in the oven or near the cooktop.
- **DO NOT** place or use combustible materials such as gasoline or other flammable vapors and liquids in the vicinity of this or any other appliance.
- **DO NOT** allow cooking grease or other flammable materials in or near the range.
- **DO NOT** use water on grease fires. Never touch a flaming pan. Turn the controls off. Smother a flaming pan on a surface burner by covering the pan completely with a well-fitting lid, cookie sheet or flat tray. Use a multi-purpose dry chemical or foam-type fire extinguisher.

A grease fire can be put out by covering it with baking soda or, if available, by using a multi-purpose dry chemical or foam-type fire extinguisher.

Flame in the upper oven or lower oven can be smothered completely by closing the oven door and turning the control to off or by using a multi-purpose dry chemical or foam-type fire extinguisher.

- **DO NOT** use the oven or the drawer for storage.
- Let the burner grates and other surfaces cool before touching them.
- **NEVER** block the vents (air holes) of the range. They provide the air inlet and outlet that are necessary for the range to operate properly with correct combustion. Air openings are located at the rear of the cooktop, at the top and bottom of the oven door, and at the bottom of the range.
- **NEVER** cover any slots, holes or passages in the oven bottom or cover an entire rack with materials such as aluminum foil. Doing so blocks air flow through the oven and may cause carbon monoxide poisoning. Aluminum foil linings may also trap heat, causing a fire hazard.
- **NEVER** obstruct the flow of combustion and ventilation air by blocking the oven vent or air intakes. Doing so restricts air to the burner and may result in carbon monoxide poisoning.
- Large scratches or impacts to glass doors can lead to broken or shattered glass.
- Stepping, leaning or sitting on the doors or drawers of this range can result in serious injuries and also cause damage to the range. Do not allow children to climb or play around the range. The weight of a child on an open door may cause the range to tip, resulting in serious burns or other injury.
- Gas leaks may occur in our system and result in a dangerous situation. Gas leaks may not be detected by smell alone. Gas suppliers recommend you to purchase and install a UL approved gas detector. Install and use in accordance with the gas detector manufacturer's instructions.
- Leak testing of the appliance shall be conducted according to the manufacturer's instructions.
- **DO NOT** use commercial oven cleaners on the oven finish or around any part of the oven. They will damage the finish of parts.
- To prevent staining or discoloration, clean appliance after each use.
- **DO NOT** attempt to open or close the door or operate the oven until the door is properly installed.
- **NEVER** place fingers between the hinge and front oven frame. Hinge arms are spring mounted. If accidentally hit, the hinge will slam shut against the oven frame and could injure your fingers.

 **CAUTION**

- **DO NOT** use the oven for storing food or cookware.
- To prevent damage to the oven door, do not attempt to open the door when Lock is displayed.
- **DO NOT** place excessive weight or stand on an open door. This could cause the range to tip over, break the door, or injure the user.
- **DO NOT** use delayed baking for highly perishable foods such as dairy products, pork, poultry, or seafood.

 **WARNING**

- Disconnect electrical supply before servicing the appliance.
- **NEVER** use appliance door as a step stool or seat, as this may result in possible tipping of the appliance and serious injuries.
- This product should not be installed below ventilation type hood systems that directs air in a downward direction. Doing so may cause ignition and combustion problems with the gas burners resulting in personal injury and may affect the cooking performance of the unit.

SURFACE BURNERS

WARNING

- Even if the top burner flame goes out, gas is still flowing to the burner until the knob is turned to the "OFF" position. If you smell gas, immediately open a window and ventilate the area for five minutes prior to using the burner. Do not leave the burners "ON" unattended.
- **Use proper pan size - DO NOT** use pans that are unstable or that can be easily tipped. Select cookware with flat bottoms large enough to cover burner grates. To avoid spillovers, make sure the cookware is large enough to contain the food properly. This will both save cleaning time and prevent hazardous accumulations of food, since heavy spattering or spillovers left on the range can ignite. Use pans with handles that can be easily grasped and remain cool.

CAUTION

- Be sure that all surface controls are set in the "OFF" position prior to supplying gas to the range.
- **NEVER** leave the surface burners unattended at high flame settings. Boilovers may cause smoke and greasy spillovers that may catch on fire.
- Always turn the knobs to the "LITE" position when igniting the top burners and make sure the burners have ignited.
- Control the top burner flame size so it does not extend beyond the edge of the cookware. Excessive flame is hazardous.
- Only use dry pot holders—moist or damp pot holders on hot surfaces may result in burns from steam. Do not let pot holders come near open flames when lifting cookware. Do not use towels or other bulky cloth items. Use a pot holder.
- Using glass cookware—make sure the cookware is designed for top-of-range cooking.
- To prevent burns from ignition of flammable materials and spillage, turn cookware handles toward the side or back of the range without extending over adjacent burners.
- **NEVER** leave any items on the cooktop. The hot air from the vent may ignite flammable items and will increase pressure in closed containers, which may cause them to burst.
- Carefully watch foods being fried at a high flame setting.
- Always heat fat slowly, and watch as it heats.
- If frying combinations of oils and fats, stir together before heating.
- Use a deep fat thermometer if possible to prevent overheating fat beyond the smoking point.
- Use the least possible amount of fat for effective shallow or deep-fat frying. Filling the pan with too much fat can cause spillovers when food is added.
- **DO NOT** cook foods directly on an open flame on the cooktop.
- **DO NOT** use a wok on the surface burners if the wok has a round metal ring that is placed over the burner grate to support the wok. This ring acts as a heat trap, which may damage the burner grate and burner head. It may also cause the burner to work improperly. This may cause carbon monoxide levels which are higher than what is allowed by current standards, resulting in a health hazard.
- Foods for frying should be as dry as possible. Frost or moisture on foods can cause hot fat to bubble up and spillover the sides of the pan.
- **NEVER** try to move a pan of hot fat, especially a deep fat fryer. Wait until the fat is cool.
- **DO NOT** place plastic items on the cooktop—they may melt if left too close to the vent.
- Keep all plastics away from the surface burners.
- To prevent burns, always be sure that the controls for all burners are in the "OFF" position and all grates are cool before attempting to remove them.
- If you smell gas, turn off the gas to the range and call a qualified service technician. Never use an open flame to locate a leak.
- Always turn the knobs to the "OFF" position before removing cookware.
- **DO NOT** lift the cooktop. Lifting the cooktop can cause damage and improper operation of the range.
- If the range is located near a window, do not hang long curtains that could blow over the surface burners and catch on fire.

BROILER (For Model: LDG3037ST Only)

Always use a broiler pan and a grid for excess fat and grease drainage. This will help to reduce splatter, smoke, and flare-ups. The igniter for the infrared ceramic broil burner on the ceiling of the oven will glow orange periodically during normal broil operation.

WARNING

When using your broiler, the temperature inside the oven will be extremely high. Take caution to avoid possible burns by:

- Keeping the door closed when broiling (refer to Broil section of the manual)
- Always wear oven mitts when inserting or removing food items

CAUTION

The infrared ceramic broiler will generate intense heat and will sear foods faster compared to regular bar type broilers. This broil system is designed to be operated under consumer-use conditions only. To avoid overheating and damaging the oven, do not use this broiler continuously for more than 45 minutes at a time.

Do not attempt to spray the broiler and its igniter with any type of cleaners or try to scrub it. This will damage the broiler system. The ceramic plates of your broiler do not need to be manually cleaned. Any grease or splatter on the ceramic from cooking and baking will burn clean by simply turning on your broiler for about 10 minutes.

COOK MEAT AND POULTRY THOROUGHLY

To protect against foodborne illnesses, cook meat and poultry thoroughly—meat to at least an INTERNAL temperature of 160°F and poultry to at least an INTERNAL temperature of 180°F.

SELF CLEANING OVEN

Make sure to wipe off excess spillage before operating the self clean function.

CAUTION

- **DO NOT** leave food, cooking utensils, racks, etc. in the oven during the self clean cycle.
- **DO NOT** use oven cleaners. No commercial oven cleaner or oven liner protective coating of any kind should be used in or around any part of the oven. Residue from oven cleaners will damage the inside of the oven when the self clean cycle is used.
- Remove oven racks and other items from both upper and lower ovens before starting the self clean cycle.
- Only clean the parts listed in this manual.
- **DO NOT** clean the door gasket. The door gasket is necessary for a good seal. Care should be taken not to rub, damage or move the gasket.
- If the self cleaning mode malfunctions, turn the range off and disconnect the power supply. Have it serviced by a qualified technician.
- It is normal for parts of the oven to become hot during a self clean cycle.
- Avoid touching the door, window or oven vent area during a clean cycle.

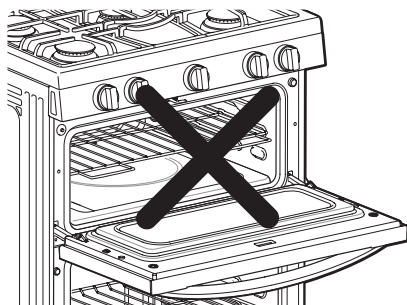
OVEN

When opening the door of a hot oven, stand away from the range. The hot air and steam that escape can cause burns to hands, face and eyes.

WARNING

NEVER block any slots, holes or passages in the oven bottom or cover an entire rack with materials such as aluminum foil. Doing so blocks air flow through the oven and may cause carbon monoxide poisoning. Aluminum foil linings may also trap heat, causing a fire hazard.

- **DO NOT** heat food in closed containers. Pressure inside the container could increase and burst, causing an injury.
- **DO NOT** use aluminum foil anywhere in the oven except as described in this manual. Doing so could create a fire hazard or cause damage to the range.
- **DO NOT** use the oven for storage. Items stored in the oven can catch on fire.
- Keep the oven free from grease buildup.
- Insert the oven racks in the desired position while the oven is cool.
- To prevent burns when removing food, slide racks out until the stop engages, then remove food items. This may also protect you from getting burnt from touching hot surfaces of the door or oven walls.
- When placing or removing a griddle, always wear oven mitts.
- When using cooking or roasting bags in the oven, follow the manufacturer's directions.
- Use only glass cookware that is recommended for use in gas ovens.
- Always remove the broiler pan from the range after you finish broiling. Grease left in the pan can catch fire if oven is used without removing the grease from the broiler pan.
- If meat is too close to the flame while broiling, the fat may ignite. Trim excess fat to prevent excessive flare-ups.
- Make sure the broiler pan is in place correctly to minimize the possibility of grease fires.
- If you should have a grease fire in the broiler pan, press the "UPPER CLEAR/OFF" or "LOWER CLEAR/OFF" key, and keep the oven door closed to contain fire until it burns out.
- For safety and better cooking performance, always bake and broil with the oven door closed. Open door baking or broiling can cause damage to the knobs or valves.
DO NOT leave the oven door open during cooking or cool down.



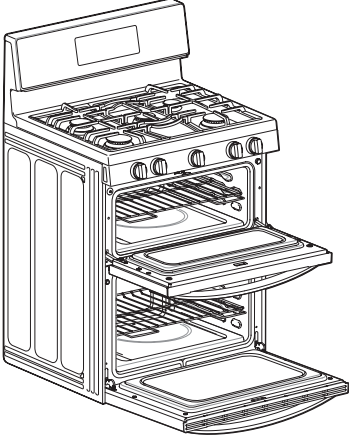
READ ALL INSTRUCTIONS BEFORE USING THE APPLIANCE.

SAVE THESE INSTRUCTIONS

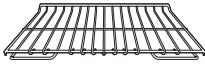
BEFORE USE

Accessories


Make sure that all parts are included after purchasing this product.




Gas double oven range



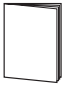
Racks (2ea)




Offset rack (1ea)



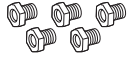
Griddle
(LDG3036ST / LDG3036BD / LDG3037ST)




Owner's manual




Installation manual



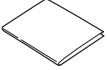
Cooktop nozzles (5ea)
(LDG3031ST (4ea))



Oven nozzles
(3ea)

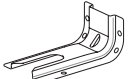


Oven nozzles (4ea)
(LDG3037ST Only)




Installation guide

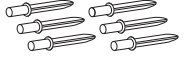
LP nozzle conversion kit



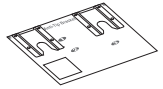
Anti-tip



Screws (6ea)

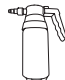


Anchors (6ea)

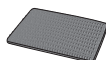


Template

Anti-tip kit

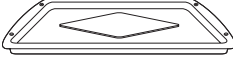


Spray bottle (1ea)

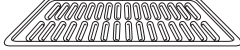


Non-scratch
Scouring Pad (1ea)

Sold Separately



Broiler pan



Grid

! NOTE

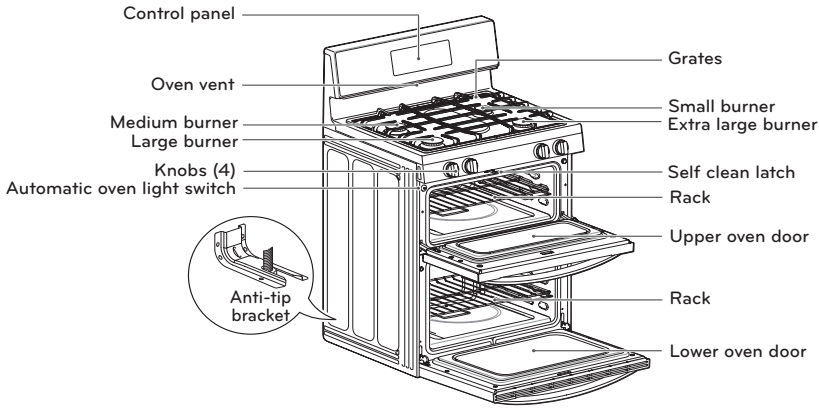
- Contact LG Customer Service if any accessories are missing.
- For your safety and for extended product life, only use authorized components.
- The manufacturer is not responsible for product malfunction or accidents caused by the use of separately purchased, unauthorized components or parts.
- The images in this guide may be different from the actual components and accessories, and are subject to change by the manufacturer without prior notice for product improvement purposes.

Components

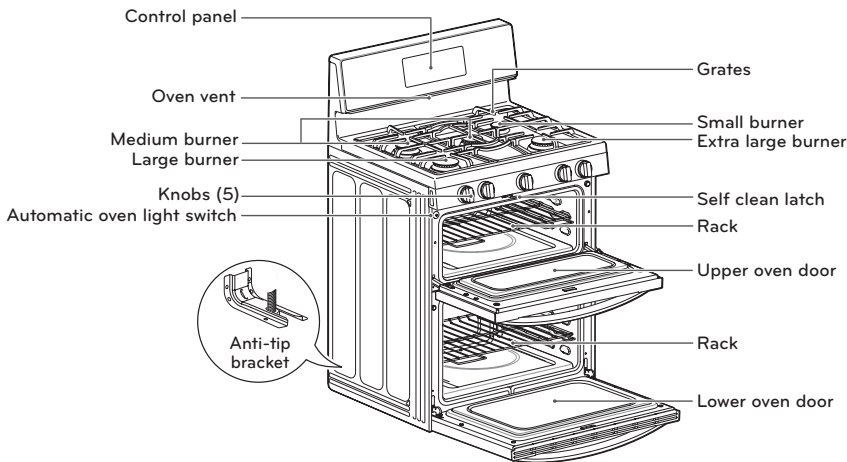
Make sure to understand the names and function of each part.

* Throughout this manual, the features and appearance may vary depending on your model.

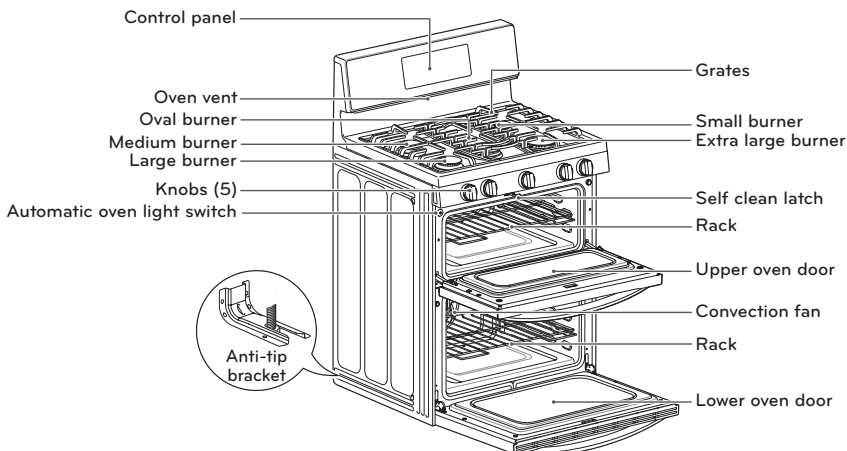
For Model: LDG3031ST



For Model: LDG3035S



For Model: LDG3036ST / LDG3036BD / LDG3037ST



NOTE

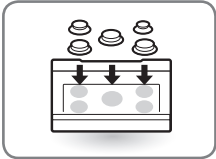
The model and serial tag is located behind the control panel.

HOW TO USE

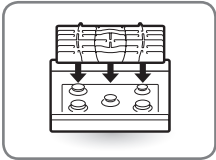
Gas Surface Burners

Before use

Read all instructions before using.



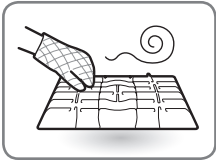
Make sure that all burners are properly placed.



Make sure that all grates are properly placed before using the burner.

CAUTION

DO NOT operate the burner for an extended period of time without cookware on the grate. The finish on the grate may chip without cookware to absorb the heat.



Make sure the burners and grates are cooled down before you place your hand, pot holder, cleaning cloth, or other materials on burners and grates.

Touching grates before cooling down may cause burns.

CAUTION

WHAT TO DO IF YOU SMELL GAS

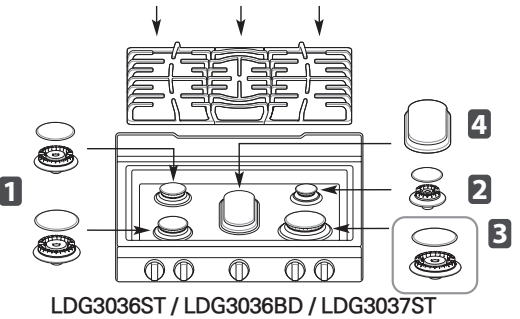
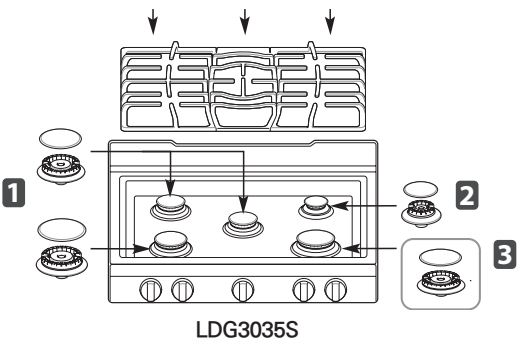
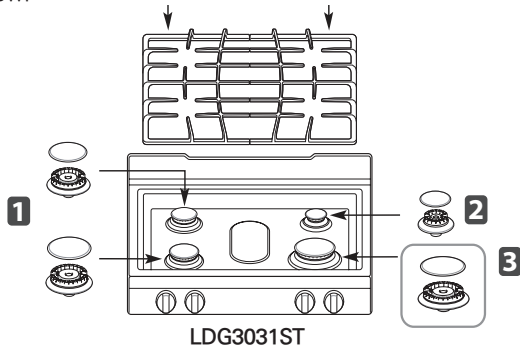
1. Open windows.
2. **DO NOT** try to light any appliance.
3. **DO NOT** touch any electrical switch.
4. **DO NOT** use any phone in your building.
5. Immediately call your gas supplier from a neighbor's phone. Follow the gas supplier's instructions.
6. If you cannot reach your gas supplier, call the fire department.

NOTE

Electric spark igniters from the burners cause the clicking noise. All the spark igniters on the cooktop will activate when igniting just one burner.

Gas burners

Your gas range cooktop has five (four) sealed gas burners. These can be assembled and separated. Follow the guide below.



1 Medium and Large Burner

The medium and large burners are the primary burners for most cooking. These general purpose burners can be turned down from “HI” to “LO” to suit a wide range of cooking needs.

2 Small Burner

The smallest burner is used for delicate foods such as sauces or foods that require low heat for a long cooking time.

3 Extra large burner

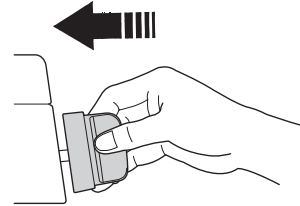
The extra large burner is the maximum output burner. Like the other four burners, it can be turned down from “HI” to “LO” for a wide range of cooking applications. This burner is also designed to quickly bring large amounts of liquid to a boil. It can be used with cookware 10 inches or larger in diameter.

4 Oval burner (LDG3036ST / LDG3036BD / LDG3037ST)

The oval burner (center) is for use with a griddle or oval pots.

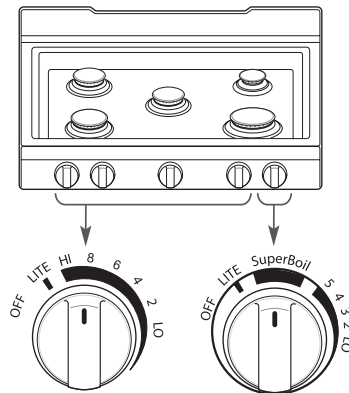
Using the gas surface burners

- 1 Be sure that all of the surface burners are placed in the correct positions.
- 2 Put cookware on the burner. (Example: pot, frying pan, etc.)
- 3 Push and turn the control knob to the “LITE” position.



You will hear a clicking noise from the electric spark ignition system.

- 4 Turn the control knob to control the flame size.

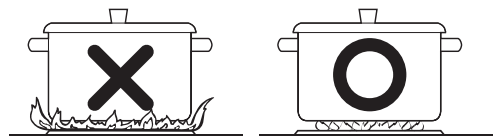


CAUTION

DO NOT attempt to disassemble or clean around any burner while another burner is on. When turning a burner to “LITE”, all the burners spark. An electric shock may result, which could cause you to knock over hot cookware.

Selecting the Flame Size

Watch the flame, not the knob, as you reduce heat. When fast heating is desired, the flame size on a gas burner should match the cookware that you are using.



CAUTION

NEVER let the flames extend up the sides of the cookware.

In Case of Power Failure:

In case of a power failure, you can light the gas surface burners on your range with a match. Surface burners in use when an electrical power failure occurs will continue to operate normally.

- 1 Hold a lit match to the burner, then push in the control knob.
- 2 Turn the control knob to the "Lo" position.



CAUTION

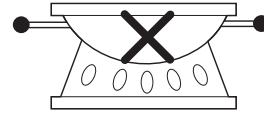
Use extreme caution when lighting burners with a match. It can cause burn and damage.

Top-of-range cookware

Aluminum	Medium-weight cookware is recommended because it heats quickly and evenly. Most foods brown evenly in an aluminum skillet. Use saucepans with tight fitting lids when cooking with minimum amounts of water.
Cast-Iron	If heated slowly, most skillets will give satisfactory results.
Stainless Steel	This metal alone has poor heating properties and is usually combined with copper, aluminum or other metals for improved heat distribution. Combination metal skillets work satisfactorily if they are used with medium heat as the manufacturer recommends.
Enamelware	Under some conditions, the enamel of this cookware may melt. Follow cookware manufacturer's recommendations for cooking methods.
Glass	There are two types of glass cookware - those for oven use only and those for top-of-range cooking.
Heatproof Glass Ceramic	Can be used for either surface or oven cooking. It conducts heat very slowly and cools very slowly. Check cookware manufacturer's directions to be sure it can be used on gas ranges.

Using a Wok:

If using a wok, it is recommended that you use a 14-inch or smaller flat-bottomed wok. Make sure that the wok bottom sits flat on the grate.



Use a flat-bottomed wok.



CAUTION

DO NOT use a wok support ring. Placing the ring over the burner or grate may cause the burner to work improperly, resulting in carbon monoxide levels above allowable standards. This can be hazardous to your health.

Using Stove-top Grills:

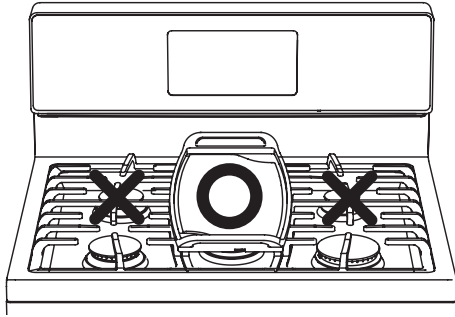
Do not place stove-top grills on the burner.



CAUTION

DO NOT use stove top grills on your surface burners. Using a stove top grill on the surface burner will cause incomplete combustion and can result in exposure to carbon monoxide levels above allowable current standards. This can be hazardous to your health.

Using the Griddle (LDG3036ST / LDG3036BD / LDG3037ST)

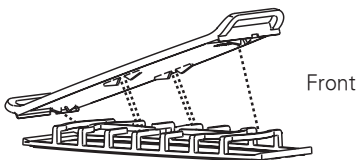


Your non-stick coated griddle provides an extra-large cooking surface for meats, pancakes or other food usually prepared in a frying pan or skillet.

! NOTE

It is normal for the griddle to become discolored over time.

How to Place the Griddle: The griddle can only be used with the center burner. The griddle must be properly placed on the center grate, as shown in the below illustration.



! NOTE

DO NOT remove the center grate when using the griddle.

! CAUTION

DO NOT remove the griddle plate until the cooktop grates, surfaces and griddle plate are completely cooled.

! CAUTION

The griddle plate on the cooktop may become very hot when using the cooktop, oven or broiler systems. Always use oven mitts when placing or removing the griddle plate.

Preheat the griddle according to the guide below and adjust for the desired setting.

Type of Food	Preheat Conditions	Cook Setting
Warming Tortillas	none	5 (MED)
Pancakes	HI 3 min.	HI
Hamburgers	HI 5 min.	HI
Fried Eggs	HI 5 min.	HI
Bacon	HI 3 min.	HI
Breakfast Sausage Links	HI 5 min.	HI
Hot Sandwiches	HI 4 min.	HI

! NOTE

Griddle settings may need to be adjusted if the griddle is used for an extended time.

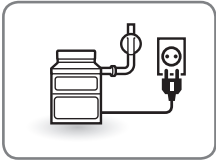
IMPORTANT NOTES:

- Avoid cooking extremely greasy foods, grease spill over can occur.
- The griddle can become hot when surrounding burners are in use.
- **DO NOT** overheat the griddle. This can damage the non stick coating.
- **DO NOT** use metal utensils that can damage the griddle surface. Do not use the griddle as a cutting board.
- **DO NOT** place or store items on the griddle.

How to Use the Oven

Before use

Read all instructions before using.



Make sure the electrical power cord and the gas valve are properly connected.

Check it for safety.



Check the correct use of the range depending on the type of food you will cook.

Make sure you know how to use the oven (temperature setting, time setting and recipe) for best results.

CAUTION

WHAT TO DO IF YOU SMELL GAS

1. Open windows.
2. **DO NOT** try to light any appliance.
3. **DO NOT** touch any electrical switch.
4. **DO NOT** use any phone in your building.
5. Immediately call your gas supplier from a neighbor's phone.
Follow the gas supplier's instructions.
6. If you cannot reach your gas supplier, call the fire department.

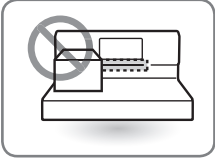


Choose the upper or lower oven for proper cooking.

Use the upper oven to cook a small amount of food.

NOTE

When using an oven thermometer in the oven cavity, temperatures may differ from the actual set oven temperature with all mode.

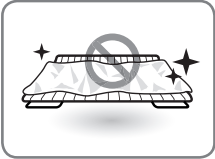


Do not block, touch or place items around the oven vent during cooking.

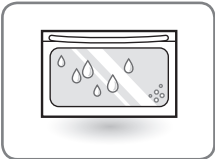
Your oven is vented through ducts at the center above the burner grate. Do not block the oven vent when cooking to allow for proper air flow. Do not touch vent openings or nearby surfaces during the use of any cooking operation.

CAUTION

- **DO NOT** place plastic or flammable items on the cooktop—they may melt or ignite if left too close to the vent.
- **DO NOT** place closed containers on the cooktop. The pressure in closed containers may increase, which may cause them to burst.
- Metal items will become very hot if they are left on the cooktop, and could cause burns.
- Handles of pots and pans on the cooktop may become hot if left too close to the vent.

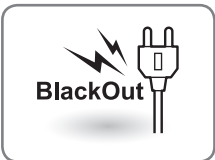


Do not cover rack or bottom with aluminum foil.



As your oven heats up, the temperature increase of the air in the oven may cause water drops to occur on the door glass.

These water drops are harmless and will evaporate as the oven continues to heat up.



In case of power failure, do not use the oven.

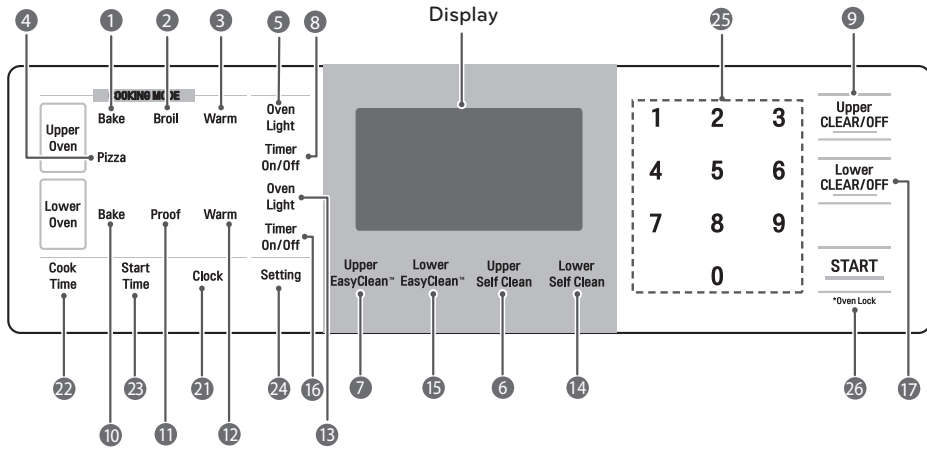
The oven and broiler can not be used during a power outage. If the oven is in use when a power failure occurs, the oven burner shuts off and cannot be re-lit until power is restored. Once power is restored,

CAUTION

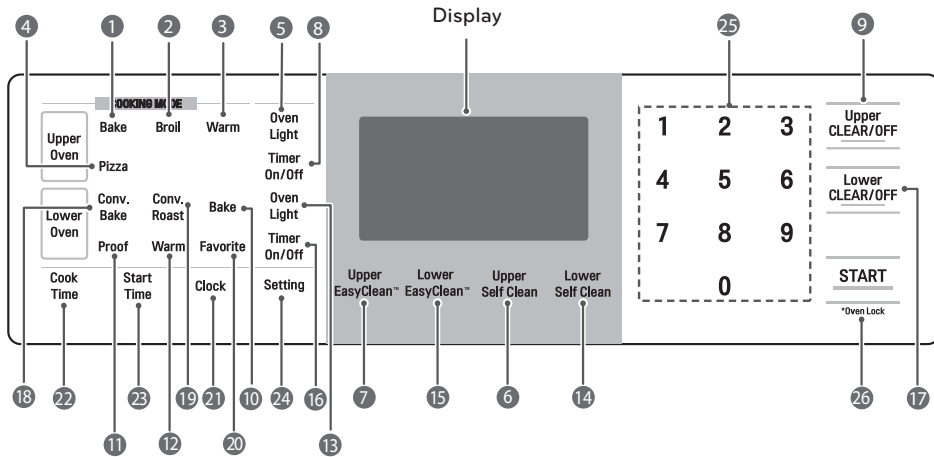
DO NOT attempt to operate the electric ignition during an electrical power failure.

Using the Control Panel

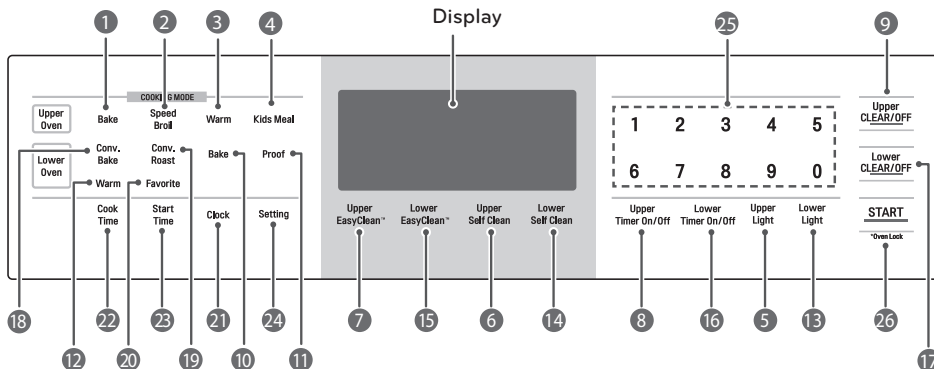
For Model: LDG3031S / LDG3035S



For Model: LDG3036ST / LDG3036BD



For Model: LDG3037ST



Using the Control Panel (continued)

Upper Oven:

Name	Description
1 Bake	Traditional bake function. Refer to "Bake" in the Operating Instructions section.
2 Broil (Model: LDG3031ST, 3035SB, 3035SW, 3036ST, 3036BD Only)	Traditional broil function. Refer to "Broil" in the Operating Instructions section.
2 Speed Broil (Model: LDG3037ST Only)	broil function. Refer to "Speed Broil" in the Operating Instructions section.
3 Warm	Warms food in the oven. Refer to "Warm" in the Operating Instructions section.
4 Pizza (Model: LDG3031ST, 3035SB, 3035SW, LDG3036ST, LDG3036BD Only)	Cooks pizza. Refer to "Pizza" in the Operating Instructions section.
4 Kids Meal (Model: LDG3037ST Only)	Use it cook kids meal such as frozen pizza and chicken nuggets. Refer to "Kids Meal" in the Operating Instructions section.
5 Upper Oven Light	Turns on/off the upper oven light.
6 Upper Self Clean	Cleans the inside of the upper oven automatically. Refer to "Self Clean" in the Operating Instructions section.
7 Upper EasyClean™	Cleans a lightly soiled upper oven automatically. Refer to "EasyClean™" in the Care and Cleaning section.
8 Upper Timer On/Off	Sets, starts or cancels the timer function of the upper oven. Refer to "How to use the timer" in the Operating Instructions section.
9 Upper CLEAR/OFF	Stops cooking or cancels the setting in the upper oven.

Lower Oven:

Name	Description
10 Bake	Traditional bake function. Refer to "Bake" in the Operating Instructions section.
11 Proof	To proof a piece of bread. Refer to "Proof" in the Operating Instructions section.
12 Warm	Warms food in the oven. Refer to "Warm" in the Operating Instructions section.
13 Lower Oven Light	Turns on/off the lower oven light.
14 Lower Self Clean	Cleans the inside of the lower oven automatically.
15 Lower EasyClean™	Cleans a lightly soiled lower oven automatically. Refer to "EasyClean™" in the Care and Cleaning section.
16 Lower Timer On/Off	Sets, starts or cancels the timer function of the lower oven. Refer to "How to use the timer" in the Operating Instructions section.
17 Lower CLEAR/OFF	Stops cooking or cancels the setting in the lower oven.
18 Conv.Bake (LDG3036ST / LDG3036BD / LDG3037ST)	To use Convection Baking function, Refer to "Convection Bake" in Operating Instructions section.
19 Conv.Roast (LDG3036ST / LDG3036BD / LDG3037ST)	To use Convection Roast function, Refer to "Convection Roast" in Operating Instructions section.
20 Favorite (LDG3036ST / LDG3036BD / LDG3037ST)	Use to store 3 favorite oven settings. Refer to "Favorite" in Operating Instructions section.

Common Functions:

Name	Description
21 Clock	Sets the time of day. Refer to "How to set the clock" in the Operating Instructions section.
22 Cook Time	Sets the length of cook time. It is automatically turned off if the desired cook time is reached.
23 Start Time	Sets the desired cooking start time. The oven automatically starts cooking at the set time.
24 Setting	Sets various functions.
25 NUMBER KEY	Use to set time, timer, temperature and all times.
26 START (Oven Lock)	Starts all functions except for the timer. To activate Oven Lock, press and hold for three seconds.

Operating Instructions

The value of setting can be changed by pressing “**Setting**” key. The items are different from each model. Refer to “Setting item chart”

SETTING ITEM CHART

Operating Instruction	LDG3031ST/ LDG3035S	LDG3036ST/ LDG3036BD	LDG3037ST
Convection Auto Conversion	-	Once	Once
Temperature Setting (Lower Oven)	Once	Twice	Twice
Temperature Setting (Upper Oven)	Twice	Three times	Three times
Language	-	-	Four times
Preheating Alarm light On/Off	Three times	Four times	Five times
Beeper Volume	Four times	Five times	Six times
Fahrenheit or Celsius	Five times	Six times	Seven times

How to set convection auto conversion function for the lower oven (LDG3036ST / LDG3036BD/ LDG3037ST)

When using convection bake and roast, the convection auto conversion feature will automatically convert entered regular baking temperatures to convection baking temperatures. This feature is activated so that the display will show the actual converted temperature. For example, if you enter a regular recipe temperature of 350°F and touch the **START** key, the display will show the converted temperature of 325°F.

- 1 Press the **Setting** key *On Roast* will appear in the display.
- 2 Press the number **1** key to select a auto conversion On/ Off.
(Model LDG3037ST Case: Press the number **1** key for On, **2** for Off)
- 3 Press the **START** Key to accept the change.

How to adjust the temperature settings:

You may find that your new oven cooks differently than the one it replaced. Use your new oven for a few weeks to become more familiar with it before changing the temperature settings. After familiarizing yourself with the new oven, and you still think that it is too hot or too cold, you can adjust the thermostat yourself.

CAUTION

DO NOT use thermometers, such as those found in grocery stores, to check the temperature setting of your oven. These thermometers may vary 20–40 degrees.

- 1 Determine which oven you would like to adjust (upper or lower).
- 2 For the lower oven, Press the **Setting** key until *L-RJ* will appear in the display.
For the upper oven, Press the **Setting** key until *U-RJ* will appear in the display.
- 3 Using the number keys, enter the amount of degrees that you wish to adjust the oven up or down. To adjust the temperature down, press the **Setting** key after entering in the numbers. **Example:**
To adjust the oven temperature **up** 15 degrees, press **1, 5**.
To Adjust the oven temperature **down** 15 degrees, press **1, 5, Setting**
- 4 Press the **START** key to accept the change.

NOTE

This adjustment will not affect the broiling or the Self Clean temperatures. The adjustment will be retained in memory after a power failure. The oven temperature can be increased (+) or decreased (-) as much as 35°F or 19°C.

How to select language (Model: LDG3037ST Only)

The default language of the oven's display is English. It can be changed to Spanish or French.

- 1 Press the **Setting** key until *L-RJ* (Language) will display.
- 2 Press the number key to select language.

Languages	English	Spanish	French
Number key	1	2	3

- 3 Press the **START** key to accept the change.

How to Set Preheating Alarm Light On/Off

When the oven reaches its set-temperature, the preheat light will flash until the oven door is opened. You can activate or deactivate the preheat alarm light.

- 1 Press the **Setting** key until *P-R* will display.
- 2 Press the number **1** key to select On/Off.
(Model LDG3037ST Case: Press the number **1** key for On, **2** for Off)
- 3 Press the **START** key to accept the change.

How to turn the interior oven light on/off:

The interior oven light automatically turns on when the oven door is opened.

Press the **Oven Light** key to turn the oven lights on or off.

Press the **Upper Light** or the **Lower Light** key to turn the oven lights on or off. (Model LDG3037ST Only)

How to Adjust the Beeper Volume:

- 1 Press the **Setting** key until *BEEP* will display.
- 2 Press the **1** key continuously to scroll through the volume options: *Lo, Hi, OFF*.
(Model LDG3037ST Case: Press the number **1** key for loud, **2** for normal, **3** for low and **4** for mute.)
- 3 Press the **START** key to accept the change.

How to select Fahrenheit or Celsius

The oven temperature settings can either be set to Fahrenheit or Celsius. The oven defaults to Fahrenheit unless changed by the user.

- 1 Press the **Setting** key until "F/C" will display.
- 2 Press the number **1** key to select Fahrenheit or Celsius.
(Model LDG3037ST Case: Press the number **1** key for Fahrenheit, **2** for Celsius)
- 3 Press the **START** key to accept the change.

How to Set the Clock (12 or 24 hour):

- 1 Press and hold the **Clock** key for three seconds.
- 2 Press the number **1** key to select 12 or 24 hour.
(Model LDG3037ST Case: press the number **1** key for 12 hour clock, **2** for 24 hour clock)
- 3 Press the **START** key.

NOTE

- The time of day cannot be changed during a timed baking or Self Clean cycle.
- To check the time of day when the display is showing other information, simply press the **Clock** key.
- If number keys are not pressed within 30 seconds after you press the **Clock** key, the display reverts to the original setting. If this happens, press the **Clock** key and reenter the time of day.
- If the display time is blinking, you may have experienced a power failure. Reset the time.

How to Set the Clock Time:

The clock must be set to the correct time of day in order for the automatic oven timing functions to work properly.

- 1 Press the **Clock** key once.
- 2 Press the number keys to select the desired time.
Example : To set 12:34, press the number keys **1, 2, 3** and **4** in that order.
- 3 Press the **START** key to accept the change.

Minimum & Maximum default settings:

All of the features listed have minimum and maximum time or temperature settings that may be entered into the control. An entry acceptance beep will sound each time a control key is pressed.

An entry error tone (two short tones) will sound if the entry of the temperature or time is below the minimum or above the maximum settings for the feature.

FEATURE		MIN. TEMP. / TIME	MAX. TEMP. / TIME	DEFAULT
CLOCK TIME	12 Hr.	1:00 Hr. / Min.	11:59 Hr. / Min.	
	24 Hr.	0:00 Hr. / Min.	23:59 Hr. / Min.	
KITCHEN TIMER	12 Hr.	0:01 Min.	11:59 Hr. / Min.	
	24 Hr.	0:01 Min.	11:59 Hr. / Min.	
COOKING TIME / TIMER	12 Hr.	0:01 Min.	11:59 Hr. / Min.	
	24 Hr.	0:01 Min.	11:59 Hr. / Min.	
BROIL TEMP.		Lo - 300°F / 149°C	Hi - 400°F / 204°C	High
SPEED BROIL (LDG3037ST Only)		Lo - 250°F / 121°C	Hi - 500°F / 260°C	High
BAKE TEMP.		170°F / 77°C	550°F / 288°C	350°F / 177°C
CONV. BAKE (LDG3036ST/ LDG3036BD/ LDG3037ST)		300°F / 149°C	550°F / 288°C	325°F / 163°C
CONV. ROAST (LDG3036ST/ LDG3036BD/ LDG3037ST)		300°F / 149°C	550°F / 288°C	325°F / 163°C
PROOF				12 Hr.
WARM			170°F / 75°C, 3 hours	3 Hr
SELF CLEAN		2 Hr.	4 Hr.	3 Hr.

How to Use the Timer

The Upper or Lower Timer On/Off serves as an extra timer in the kitchen that will sound when the set time has run out. It does not start or stop cooking.

The Upper or Lower Timer On/Off feature can be used during any of the other oven control functions. The upper and lower TIMER can be operated independently of each other.

1 To set minutes and seconds:

Press the ^{Upper} Timer On/Off or ^{Lower} Timer On/Off key once.

To set hours and minutes:

Press the ^{Upper} Timer On/Off or ^{Lower} Timer On/Off key twice.

2 Use the number keys to set the timer.

For Example, to set 5 minutes:

a) Press ^{Upper} Timer On/Off or ^{Lower} Timer On/Off key twice.
00 will appear in the display.

b) Press **5** in the number key.
05 will appear in the display.

3 To start the timer, press ^{Upper} Timer On/Off or ^{Lower} Timer On/Off key once. The time will count down and show in the display.

To Cancel the timer before the set time has elapsed, press ^{Upper} Timer On/Off or ^{Lower} Timer On/Off (depending on which oven timer you would like to cancel).

NOTE

If ^{Upper} Timer On/Off or ^{Lower} Timer On/Off is not pressed, the timer will return to the time of day.

- When the time is up, *End* will appear on the display and a tone will sound. The tone will sound every 15 seconds until ^{Upper} Timer On/Off or ^{Lower} Timer On/Off is pressed.

NOTE

If the remaining time is not in the display, recall the remaining time by pressing the ^{Upper} Timer On/Off or ^{Lower} Timer On/Off.

How to Use the Oven Lockout Feature

The oven lockout feature automatically locks the oven door and prevents most oven controls from being turned on. It does not disable the clock, timer or the interior oven light.

- Press and hold the **START** key for three seconds.
A tone will sound, *Loc* will appear, and **6** will blink in the display. Once the oven door is locked, the oven lockout indicator will stop blinking and remain on.
- To deactivate the lockout feature, press and hold the **START** key for three seconds.
Loc and **6** will disappear from the display once the oven door and controls are unlocked.

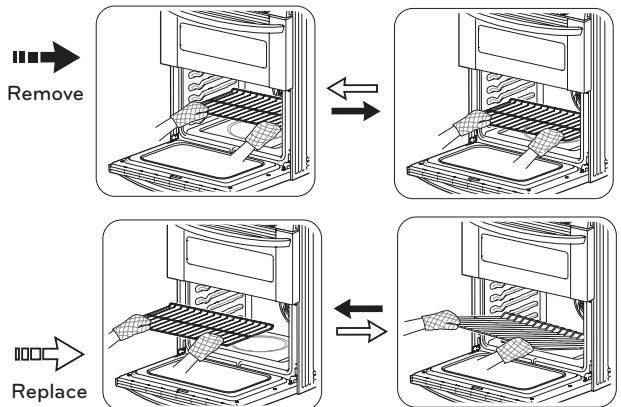
NOTE

If the lockout feature is activated with either of the doors open, the doors will not close completely until the Lockout feature is deactivated.

Removing and Replacing the Oven Racks

CAUTION

- Replace the oven rack before turning the oven on to prevent burns.
- DO NOT** cover the rack with aluminum foil, or any other material, or place anything on the bottom of the oven. Doing so will result in poor baking and may damage the oven bottom.
- Only arrange oven racks when the oven is cool.



To Remove Racks

- While wearing oven mitts, grasp the oven rack.
 - Pull the rack straight out until it stops.
 - Lift up the front of the rack.
 - Pull out the rack.
- *You can also adjust the racks position before using the oven.

To Replace Racks

- While wearing oven mitts, place the end of the rack on the support.
- Tilt the front end of the rack up.
- Push the rack in.
- Check that the rack is properly in place.

BAKE (Upper & Lower Oven)

Bake is used to prepare foods such as pastries, bread, casseroles and roasts. The oven can be programmed to bake at any temperature from 170°F (77°C) to 550°F (288°C). The default temperature is 350°F (177°C).

To set the oven to BAKE (example to 375°F):

- 1 Press the upper or lower oven **Bake** key.
- 2 Set the oven temperature using the number keys (ex: press **3, 7, 5**).
- 3 Press the **START** key.

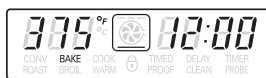
As the oven preheats, the temperature is displayed and rises in 5 degree increments. Once the oven reaches the desired temperature, a tone will sound and the oven light will blink on and off.

NOTE

- Preheating is necessary for better cooking results. Place the food in the oven after preheating.
- You may also change the temperature while cooking by following steps 1-3.

- 4 When cooking is complete, press the **Upper CLEAR/OFF** or **Lower CLEAR/OFF** key.
- 5 Remove food from the oven.

BAKE mode display (Example)



Upper oven only



Lower oven only



Upper & Lower oven at the same time

Baking chart

This chart is only for reference and can be used for both the upper and lower ovens. Adjust the cook time according to your recipe.

Food	Oven Temperature	Shelf position baking time		Baking time (Minutes)
		Upper oven	Lower oven	
Cakes				
- Layer cake	350°F(177°C)	A	C	32 - 35
- Bundt cake	350°F(177°C)	A	C	37 - 43
- Cup cakes	350°F(177°C)	A	C	20 - 30
- Pound cake	350°F(177°C)	A	C	48 - 52
- Carrot cake (from scratch)	350°F(177°C)	A	C	30 - 45
Cookies				
- Sugar	350°F(177°C)	A	C	12 - 20
- Chocolate chip	350°F(177°C)	A	C	9 - 16
- Brownies	350°F(177°C)	A	C	30 - 35
Pizza				
- Fresh	425°F(218°C)	A	B	10 - 15
- Frozen	400°F(204°C)	A	B	23 - 27
Breads				
- Biscuits (canned)	350°F(177°C)	A	B	13 - 17
- Biscuits (scratch)	425°F(218°C)	A	B	10 - 12
- Muffins	425°F(218°C)	A	B	9 - 15
Fruits and Vegetables				
- Apples (baked)	375°F(190°C)	A	B	40 - 45
- Potatoes (baked)	375°F(190°C)	A	B	60 - 80

BROIL (Upper Oven)

Your oven is designed for closed door broiling.

Broil uses an intense heat radiation from the upper gas burner. The Broil function works best when broiling thin, tender cuts of meat (1" or less), poultry or fish.

SPEED BROIL (LDG3037ST Upper Oven Only)

Your LG gas double oven range uses an infrared (IR) ceramic broil system. Unlike a standard broil system, the IR ceramic broiler works by converting the heat of the flame into infrared energy. This system provides an intense heat that can sear foods quickly with excellent results.

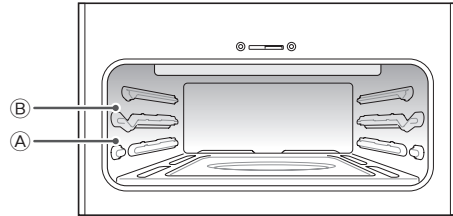
Benefits of the infrared ceramic broil.

- Intense searing heat seals in juices and flavors.
- Broils foods quickly.

Your oven is designed for closed door broiling.

Speed Broil uses an intense heat radiation from the upper gas burner. The broil function works best when broiling, tendercuts of meat, poultry or fish.

When broiling on rack position 'B' in the upper oven, use the offset rack provided for better cooking results.



*B: The position where you use the offset rack.

*A: The position where you use the offset rack.
(Only LGD3037ST)

CAUTION

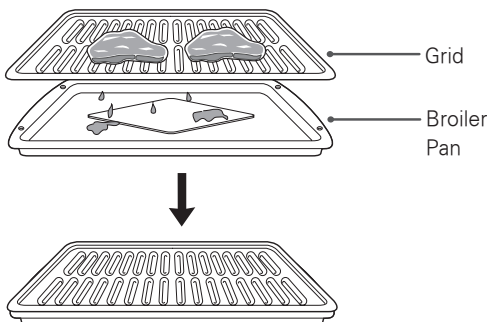
Take care when sliding the offset rack in and out. It lays lower in the cavity and passes closer to hot surfaces that can cause burns. Always wear oven mitts when handling racks.

CAUTION

- **DO NOT** use a broiler pan without a grid. Oil can cause a grease fire.
- **DO NOT** cover the grid and broiler pan with aluminum foil. Doing so will cause a fire.
- **Always use** a broiler pan and grid for excess fat and grease drainage. This will help to reduce splatter, smoke, and flare-ups.
- **NEVER** use a broiler pan that is not thoroughly cleaned and at room temperature. If your broiler pan is damaged, warped, or has heavy permanent soiling, you should consider replacing it to reduce the amount of smoke you experience during broiling.

NOTE

- Use a **Lo** broil to broil foods such as poultry and thick cuts of meat.
- Remove the pan from the oven to cool down for easy cleaning.
- For best results, use a pan designed for broiling, as shown below. The broiler pan will catch grease spills and the grid will help prevent grease splatters.



To set the upper oven to BROIL

- 1 Press the **Broil** key once for **Hi**, and twice for **Lo**. (LDG3037ST: Speed Broil)
- 2 Press the **START** key.
- 3 Allow the broiler to preheat for five minutes.
- 4 Place food in the upper oven.
- 5 Closed the oven door. The oven door must be closed during broiling.

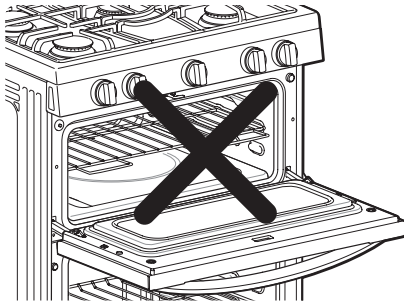
WARNING

When using your broiler, the temperature inside the oven will be extremely hot. Take caution to avoid possible burns by:

- Keeping the door closed when broiling
- Always wear oven mitts when inserting/removing food items
- Improper use of the broiler may result in excessive smoke or a grease fire. Improper use conditions include, but are not limited to:
 - Broiling on rack position B.
 - Setting the broiler at higher power level than recommended.
 - Using dirty/greasy broiler pans.
 - Broiling beyond recommended cooking times.

NOTE

If the oven door remains open for more than 15 seconds during broil, the burner will shut off. The broil burner will automatically come back on once the door is closed.

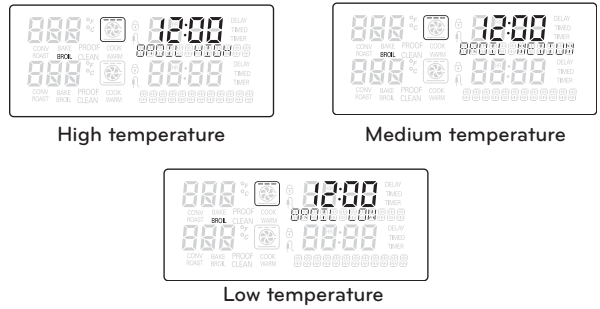


6 When broiling is finished, press the **Upper CLEAR/OFF** key.

NOTE

During any Broil function, it is normal for the broiler to cycle on and off. The igniter for the infrared ceramic broil burner on the ceiling of the oven will glow orange periodically during normal broil operation.

LDG3037ST: SPEED BROIL Mode display (example)

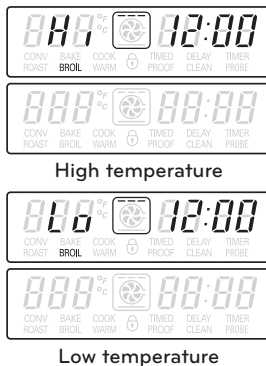


- **High:** Use High for steaks, burgers and fish for which you want to achieve deep flavorful searing.
- **Medium:** Use Medium for thicker pieces of meat that you want cooked Medium-Well or Well Done. Also use the medium broil setting for skin-on fish.
- **Low:** The Low setting is most effective for melting cheese on items such as Nachos.

Because of the intense heat associated with this infrared broiler, you may experience more smoke than you may be accustomed to compared to a conventional broiler. This smoke is a natural by product of searing and should not cause you to worry. If you are experiencing more smoke than you are comfortable with, use the following tips to reduce the amount of smoke in your oven.

1. For any broiling on High or Medium settings, use a broiler pan only. Do not use sautee pans or regular baking sheets for safety reasons.
2. NEVER use a broiler pan that is not thoroughly cleaned and at room temperature at the beginning of cooking. If your broiler pan is damaged, warped, or has heavy permanent soiling, you should consider replacing it to reduce the amount of smoke you experience during broiling.
3. ALWAYS run your cooktop ventilation system or vent hood during broiling.
4. Keep the interior of your oven as clean as possible. Leftover debris from prior meals can burn or catch fire.
5. Avoid fatty marinades and sugary glazes, both of these will increase the amount of smoke you experience. If you would like to use a glaze, apply it at the very end of cooking.
6. If you are experiencing significant smoke with any food item, consider:
 - a. Lowering the broiler to the next lowest setting.
 - b. Using the High broil setting to achieve the level of searing you desire, and then either switch to a lower broil setting, or switch to the BAKE function.
7. As a rule, fattier cuts of meat and fish will produce more smoke than leaner items.
8. Adhere to the recommended Broil settings and cooking guidelines in the chart on the following page whenever possible.

BROIL mode display (example)



BROILING CHART (For models LDG3031, LDG3035, LDG3036)

Food	Quantity and/or Thickness	Upper oven			Comments
		Shelf Position	First side (Minutes)	Second side (Minutes)	
Ground beef Well done	1 lb. (4 patties) 1/2 to 3/4" thick	A	5-7	3-5	Space evenly. Up to 8 patties may be broiled at once.
Beef Steaks Rare Medium Well Done Rare Medium Well Done	1" thick 1 to 1 1/2 lbs.	A	6-7	2-3	Steaks less than 1" thick cook through before browning. Pan frying is recommended. Slash fat
		A	7-8	3-4	
		A	8-9	4-5	
	1 1/2" thick 2 to 2 1/2 lbs.	A	8	3-4	
		A	9	4-5	
		A	10	5-6	
Chicken	1 whole cut up 2 to 2 1/2 lbs., split lengthwise	A	8-10	5-7	Broil skin-side-down first.
	2 breasts	A	8-9	5-6	
Fish Fillets	1/4 to 1/2" thick	A	5	2-4	Handle and turn very carefully. Brush with lemon butter before and during cooking, if desired.
Ham Slices (precooked)	1/2" thick	A	6-7	2-3	Increase time 5 to 10 minutes pre side for 1 1/2" thick or home-cured ham.
Pork chops Well Done	1 (1/2" thick)	A	4-6	3-5	Slash fat.
	2 (1" thick) about 1lb.	A	7-9	5-7	
Lamb Chops Medium Well Done Medium Well done	2 (1" thick) about 10 to 12 oz.	A	7-8	2-3	Slash fat.
		A	8-9	3-4	
	2 (1/2" thick) about 1lb.	A	6-7	2-3	
		A	7-8	3-4	
Salmon Steaks	2 (1" thick)	A	7-9	3-5	Grease pan. Brush steaks with melted butter.
	4 (1" thick) about 1lb.	A	8-10	3-5	

This chart is only for reference. Adjust cook time according to your preference.

BROILING CHART (LDG3037ST Only)

Cut	Size/ Thickness	Doneness	Broiler Setting	Time		Comments
				Side 1	Side 2	
Tenderloin/Filet	1"	Medium Rare	High	5:00	3:00	<ul style="list-style-type: none"> • Steaks and chops should always be allowed to rest for 5 minutes before you cut into them and begin eating. This allows the heat to distribute evenly through the food and creates a more tender and juicy result. • For very thick pieces of meat, consider removing them from the fridge 30 minutes prior to cooking. This will help them cook more quickly, more evenly, and will produce less smoke. Please note that cooking times will likely be shorter than the times indicated in this above chart. • For bone-in steaks or chops that have been "Frenched" (a portion of meat removed from the bone), wrap the exposed sections of bone in foil to reduce burning.
		Medium	High	5:00	4:00	
		Medium Well	High	6:00	4:00	
		Well Done	High	6:00	5:00	
	1 1/2"	Medium Rare	High	6:00	4:00	
		Medium	High	7:00	4:00	
		Medium Well	High	7:00	5:00	
		Well Done	High	7:00	6:00	
	2"	Medium Rare	High	7:00	5:00	
		Medium	High	8:00	6:00	
		Medium Well	Medium	8:00	10:00	
		Well Done	Medium	10:00	12:00	
NY Strip Steak/Strip-loin	3/4" - 1"	Medium Rare	High	5:00	3:00	
		Medium	High	5:00	4:00	
		Medium Well	High	6:00	4:00	
		Well Done	High	6:00	5:00	
	1 1/2"	Medium Rare	High	6:00	5:00	
		Medium	High	7:00	6:00	
		Medium Well	Medium	8:00	10:00	
		Well Done	Medium	8:00	12:00	
Ribeye/Delmonico	3/4" - 1"	Medium Rare	High	5:00	3:00	
		Medium	High	5:00	4:00	
		Medium Well	High	6:00	4:00	
		Well Done	High	6:00	5:00	
	1 1/2"	Medium Rare	High	6:00	5:00	
		Medium	High	7:00	6:00	
		Medium Well	Medium	8:00	10:00	
		Well Done	Medium	8:00	12:00	
Bone-In Steaks	3/4" - 1"	Medium Rare	High	5:00	4:00	
		Medium	High	6:00	5:00	
		Medium Well	High	7:00	6:00	
		Well Done	High	8:00	7:00	
	1 1/2"	Medium Rare	High	8:00	8:00	
		Medium	High	10:00	8:00	
		Medium Well	Medium	10:00	12:00	
		Well Done	Medium	10:00	15:00	
Skirt Steak	1/2"-3/4"	Medium Rare	High	4:00	3:00	
		Medium	High	5:00	3:00	
		Medium Well	High	5:00	4:00	
		Well Done	High	6:00	4:00	
Flank Steak	1"	Medium Rare	High	7:00	5:00	
		Medium	High	8:00	6:00	
		Medium Well	High	8:00	8:00	
		Well Done	High	9:00	9:00	
Flank Steak	1 1/2"	Medium Rare	High	8:00	6:00	
		Medium	High	8:00	8:00	
		Medium Well	High	9:00	9:00	
		Well Done	High	10:00	10:00	
Hamburgers	3/4" thick	Medium Rare	High	5:00	3:00	
		Medium	High	5:00	4:00	
		Medium Well	High	6:00	4:00	
		Well Done	High	6:00	5:00	

BROILING CHART (LDG3037ST Only)

Cut	Size/ Thickness	Doneness	Broiler Setting	Time		Comments
				Side 1	Side 2	
Bone-in Chops	6 - 8 oz., 2 bone	Medium	High	7:00	6:00	<ul style="list-style-type: none"> • When broiling skin-on fish, always use the Medium broil setting and always broil the skin side last. • Seafood is best consumed immediately after cooking. Allowing seafood to rest after cooking can cause the food to dry out. • It is a good idea to rub a thin coating of oil on the surface of the broiling pan before cooking to reduce sticking, especially with fish and seafood. You can also use a light coating of non-stick pan spray. • Toss your vegetables lightly in oil before cooking to improve browning.
Salmon portion/ steak, skin-on	3/4" - 1"	Well done	Medium	6:00	4:00	
	1 1/2"	Well done	Medium	8:00 (Flesh side)	4:00 (Skin side)	
Salmon portion/ steak, skin-off	3/4" - 1"	Well done	Medium	6:00	4:00	
	1 1/2"	Well done	Medium	6:00	6:00	
Halibut portion, skin- off	3/4" - 1"	Well done	Medium	6:00	5:00	
	1 1/2"	Well done	Medium	7:00	6:00	
Shrimp, skin on	<10/lb.	Well done	High	4:00	3:00	
	10-20/lb.	Well done	High	3:00	3:00	
	21-30/lb.	Well done	High	3:00	2:00	
Shrimp, skin off	<10/lb.	Well done	High	4:00	2:00	
	10-20/lb.	Well done	High	3:00	2:00	
	21-30/lb.	Well done	High	3:00	1:00	
Lobster tail	1/3/lb.	Well done	High	6:00	Do not turn over	
Pork Chop	1"	Well done	High	6:00	5:00	
Pork Tenderloin	12-16 oz., 1.5"	Well done	High	9:00	8:00	
Sausage	1/4/lb., 1.5"	Well done	High	6:00	4:00	
Ham slices	1/2" thick	Well done	High	5:00	4:00	
Breast, boneless, skinless	1/2" - 3/4"	Well done	High	6:00	4:00	
Asparagus spears	1/2" thick	Well done	High	4:00	3:00	
Summer squash, zucchini	1/2" strips	Browning, well	High	7:00		
Toast	4 pieces	Browning, well	High	1:00	1:00	
English muffin	2 split	Browning, well	High	2:00		

This chart is only for reference. Adjust cook time according to your preference.

NOTE

Broiling times may be affected by the size, weight, thickness, starting temperature and your preference of doneness. This guide is based on meats at refrigerated temperatures.

NOTE

The USDA advises that consuming raw or undercooked fish, meat, or poultry can increase your risk of foodborne illness. The USDA has indicated the following as safe minimum internal temperatures for consumption:

- Ground beef, veal, pork, or lamb: 160 °F
- Poultry: 165 °F
- Beef, veal, pork, or lamb: 145 °F
- Fish/seafood: 145°F

TIMED COOK (Upper & Lower Oven)

The TIMED COOK feature allows you to set the oven to cook for a specific length of time. This feature can only be used while baking.

To set TIMED COOK

(example: to BAKE at 300°F for 30 minutes):

- 1 Press the upper or lower **Bake** key. **350°F** will appear in the display.
- 2 Use the number keys to set the temperature (ex. press **3, 0, 0**).
- 3 Press **START** to begin preheating.
- 4 Once the oven has preheated to 300°, press the **Cook Time** key. **300°F** will appear in the display.
- 5 Set the desired baking time (ex. press **3, 0**).
The baking time can be set for any amount of time between 1 minute and 11 hours and 59 minutes.
- 6 Press the **START** key and the display will show the cooking time countdown.

NOTE

- To set the WARM function to engage at the end of the timed cook cycle, repeat steps 1-5 and then press the **Warm** key. WARM will appear in the display. (Refer to "WARM" in the How to Use section for more information on warming.)
- To cancel the TIMED COOK function, press **Upper CLEAR/OFF** or **Lower CLEAR/OFF** key at any time.

The oven will continue to cook for the set amount of time and then turn off automatically. When the cooking time has elapsed:

- **End** and the time of day will show in the display.
- The cook end indicator tone will sound every 60 seconds until the **Upper CLEAR/OFF** or **Lower CLEAR/OFF** key is pressed.
- When WARM function is set, warm function is activated after cooking for the set time.

To change the cook time while operating the oven:

(example: to change the cook time from 30 minutes to 1 hour 30 minutes):

- 1 Press the **Cook Time** key.

NOTE

If operating both the upper & lower oven at the same time, press the **Cook Time** key once to set the cook time for the lower oven and twice for the upper oven.

- 2 Use the number keys to change the baking time (ex. press **1, 3, 0**).
- 3 Press **START** to accept the change.

DELAYED TIMED COOK (Upper & Lower Oven)

The automatic timer of the DELAYED TIMED COOK will turn the oven ON and OFF at the time you select. This feature can only be used for baking.

To set the oven for Delayed Start (example: to BAKE at 300°F for 30 minutes and start operating the bake mode at 4:30pm):

- 1 Be sure that the clock is set for the correct time of day.
- 2 Arrange the interior oven rack(s) and place the food in the oven.
- 3 Press the **Bake** key. **350°F** will appear on the display.
- 4 Use the number keys to set the oven temperature (ex. press **3, 0, 0**).
- 5 Press the **Cook Time** key.
- 6 Set the desired baking time (ex. press **3, 0**).
The baking time can be set for any amount of time from 1 minute to 11 hours and 59 minutes.
- 7 Press the **Start Time** key.
- 8 Set the desired start time (ex. press **4, 3, 0**).
- 9 Press the **START** key. At the set time, a short beep will sound and the oven will begin baking.

NOTE

- To cancel the DELAYED TIMED COOK function, press **Upper CLEAR/OFF** or **Lower CLEAR/OFF** key at any time.
- If you would like to change the cooking time, repeat steps 5-6 and press **START**.

The oven will continue to cook for the set amount of time and then turn off automatically. When the cooking time has elapsed:

- **End** and the time of day will show in the display.
- The cook end indicator tone will sound every 60 seconds until the **Upper CLEAR/OFF** or **Lower CLEAR/OFF** key is pressed.
- When WARM function is set, warm function is activated after cooking for the set time.

NOTE

If your oven clock is set as a 12 hour clock, you can delay the cook time for 12 hours. If your oven clock is set as a 24 hour clock, you can delay the cook time for 24 hours.

CAUTION

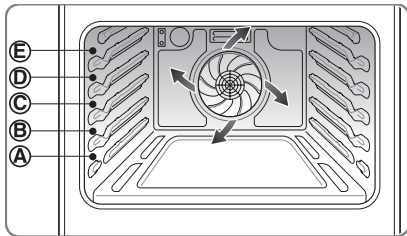
- Use the automatic timer when cooking cured or frozen meats and most fruits and vegetables. Foods that can easily spoil, such as milk, eggs, fish, meat or poultry, should be chilled in the refrigerator. Even when chilled, they should not stand in the oven for more than 1 hour before cooking begins, and should be removed promptly when cooking is completed.
- Eating spoiled food can result in sickness from food poisoning.

How to use convection for the lower oven (LDG3036ST / LDG3036BD / LDG3037ST)

Convection system uses a fan to circulate the oven's heat evenly within the oven. This improved heat distribution allows for even cooking and excellent results.

CONVECTION BAKE FOR THE LOWER OVEN (LDG3036ST / LDG3036BD / LDG3037ST)

Convection baking allows for even cooking and excellent results when using multiple racks at the same time. It could also shorten cooking time.



1 Benefits of CONVECTION BAKE

- 1) Even bake results using multiple racks.
- 2) Faster cooking time.

2 To set oven to CONVECTION BAKE (example to 375°F)


- 1) Touch **Conv. Bake** key. The display will blink **350°F**.
- 2) Set the oven temperature (Touch **3, 7, 5**).

NOTE

When cooking using convection cycle, the oven temperature is automatically reduced by 25°F. The display will show the changed temperature. This feature is called "AUTO CONVERSION". Your range comes with this feature "ENABLED". To DISABLE the auto conversion feature, see "How to set convection auto conversion function" in Operating Instructions section.

NOTE

You will hear a fan while cooking with convection. The fan will stop when the door is open, but the heat will not turn off. The fan will not start until the preheat temperature is reached.

- 3) Press the **START** key. The display will show **CONV, BAKE** and the converted temperature starting at 100°F. As the oven preheats, the display will show increasing temperatures in 5 degree increments.
- 4) Once the oven reaches the desired temperature, a tone will sound and the oven light will blink on and off. The display will show the auto converted oven temperature **350°F, CONV, BAKE** and .

NOTE

- To cancel CONVECTION BAKE, touch **Lower CLEAR/OFF** key at any time.
- Display of the CONVECTION BAKE mode (Example)



Lower oven only



Upper & Lower oven at the same time

3 Cookware for convection cooking

Check to see if your cookware leaves room for air circulation in the oven before using your convection oven. If you are baking with several pans, leave space between them. Also, be sure the pans do not touch each other or the walls of the oven.

1) Paper and Plastic

You can use heat-resistant paper and plastic containers that are recommended for use in regular ovens in convection ovens.

2) Metal and Glass

Any type of cookware will work in your convection oven. However, metal pans heat the fastest and are recommended for convection baking.

- Darkened or matte-finished pans will bake faster than shiny pans.
- Glass or ceramic pans cook more slowly.

When baking cookies, use a flat cookie sheet instead of a pan with low sides to get the best results

For recipes like oven-baked chicken, use a pan with low sides. Hot air cannot circulate well around food in a pan with high sides.

! NOTE

- Cookies and biscuits should be baked on pans with no sides or very low sides to allow heated air to circulate around the food. Food baked on pans with a dark finish will cook faster.
- Foods cooked on a single oven rack will generally cook faster and more evenly with convection bake. Multiple oven rack cooking may slightly increase cook times for some foods, but the overall result is time saved. Breads and pastries brown more evenly.
- Cookies, muffins and biscuits will have very good results when using multiple racks.
- The convection fan stops during convection bake cycle to allow for more even heating. This is normal.
- Use the recommended size pan in recipe.
- Some frozen foods have been developed to use commercial convection ovens. For best results in this oven, preheat the oven and use the temperature recommended in the recipe.
- If a food manufacturer gives specific convection baking package instructions, program the AUTO CONVERSION temperature so that the preheated oven temperature reads the same as the temperature on the package instructions.

Convection baking chart

If Auto Conversion is disabled, reduce standard recipe temperature by 25°F for CONVECTION BAKE.

Temperatures have been adjusted in this chart. Multi rack cooking may slightly increase cook times for some foods, but the overall result is time saved.

This chart is only for reference. Adjust COOK TIME according to your preference.

Food	Oven Temperature (converted)	Rack position	Baking time (Minutes)
Cakes - Layer cakes - Bundt cakes	325°F(163°C) 325°F(163°C)	C C	32~35 37~43
Cakes, Specialty - Popovers - Cup cakes - Pound cakes	400°F(204°C) 325°F(163°C) 325°F(163°C)	B C C	20~30 20~25 48~55
Cookies - Sugar - Chocolate chips - Brownies	325°F(163°C) 325°F(163°C) 325°F(163°C)	C C C	12~20 9~16 30~35
Pizza - Fresh - Frozen	400°F(204°C) 375°F(190°C)	C C	10~15 23~27
Breads - Biscuit, canned - Biscuit, scratch - Muffins - White bread, loaf	325°F(163°C) 425°F(218°C) 400°F(204°C) 400°F(204°C)	C C C B	13~17 8~12 9~15 30~38
Pastry Crust - Scratch - Refrigerator	425°F(218°C) 425°F(218°C)	C C	9~12 9~11
Desserts - Fruit crisps and cobbles, scratch - Pies, scratch, 2 crust fruit	350°F(177°C) 350°F(177°C)	C C	30~40 60~70

Preheating and Pan Placement

- To preheat, set the oven at the required recipe temperature. Wait until the oven reaches its set temperature before placing the food in the oven. Preheating is necessary for satisfactory results when baking cakes, cookies, pastry and breads.
- For best baking results, pans should be centered on the racks. If baking with more than one pan, place the pans so that each one has at least 1" to 1 1/2" of air space around them.

If cooking on multiple racks in the lower oven, place the oven racks in position C(rack) and E(rack). Place the cookware as shown in Fig.1.

If cooking on a single rack in the upper oven, place the oven rack in position A and in the lower oven, please the oven rack in position C. Place the cookware as show in the Fig.2.

In the upper oven it is recommended to bake with the standard rack in the position A.

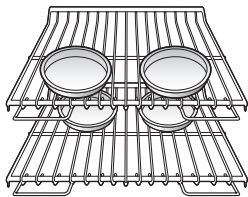


Figure 1

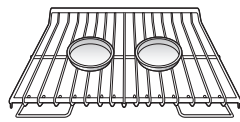
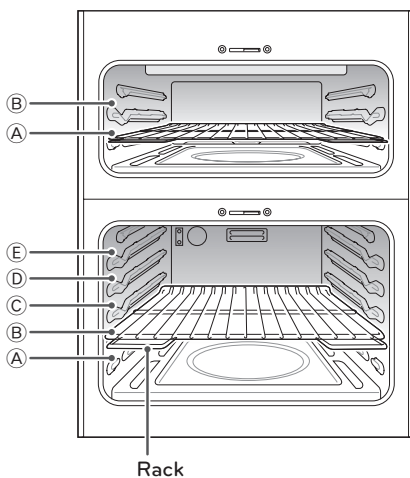


Figure 2



CONVECTION ROAST FOR THE LOWER OVEN (LDG3036ST / LDG3036BD / LDG3037ST)

CONVECTION ROAST feature is designed to give optimum roasting performance. CONVECTION ROAST feature combines cooking with the convection fan to roast meats and poultry. The heated air circulates around the food from all sides, sealing in juices and flavors. Foods are crispy brown on the outside while staying moist on the inside.

- To set the lower oven to CONVECTION ROAST (example to 375°F).


1) Press the **Conv. Roast** key. Display will show **350°F**.

2) Set the oven temperature (Touch **3, 7, 5**).

NOTE

When cooking using a convection cycle the oven temperature is automatically reduced by 25°F, and then the display will show the changed temperature. This feature is called "AUTO CONVERSION". Your range comes with this feature "ENABLED". To DISABLE the auto conversion feature, see "How to set convection auto conversion function" in Operating Instructions section.

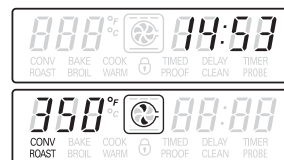
3) Press the **START** key. Display will show **CONV, ROAST** and the changing temperature starting at 100°F. As the oven preheats, the display will show increasing temperatures by 5 degree increments.

4) Once the oven reaches the desired temperature, a tone will sound and the oven light will flash on and off. The display will show the auto converted oven temperature **350°F, CONV, ROAST** and .

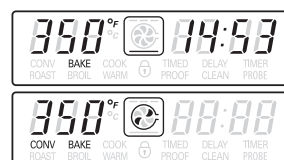
5) Place food in oven.

NOTE

- Press the **Lower CLEAR/OFF** key to cancel CONVECTION ROAST function at any time.
- Display of the CONVECTION ROAST mode (Example)



Lower oven only



Upper & Lower oven at the same time

Special Features

PIZZA (Upper Oven) (Except LDG3037ST)

This function will automatically preheat the upper oven temperature to cook either regular or rising crust frozen pizza. Simply choose the type of crust (P1 for regular crust and P2 for rising crust) and set the desired cook time.

To set the oven for frozen pizza:

- 1 Press the **Pizza** key once for regular crust and twice for rising crust. Either **P 1** (regular crust) or **P 2** (rising crust) will appear in the display.
- 2 Press the **START** key.
- 3 "**PrE**" will appear in the display to indicate preheat. Alarm will sound once preheat is complete.
- 4 Place pizza in the oven, close the door and then set the timer as per the chart below.
- 5 When cooking is complete press the **Upper CLEAR/OFF** key.
- 6 Remove food from the oven.

Display Screen (example):



NOTE

Preheating is necessary for better cooking results. Place the food in the oven after preheating.

PIZZA Chart

Food	Recommend- ed Size	Shelf Posi- tion	Recommend- ed Time (minutes)
Frozen Pizza with Regular Crust	12"	A	13-17
Frozen Pizza with Rising Crust	12"	A	25-28

This chart is for reference only. Adjust the cook time according to the recipe.

KIDS MEAL (LDG3037ST Upper Oven Only)

This function will preheat the upper oven to optimal temperature for cooking regular crust pizza, rising crust pizza, fresh pizza, chicken nuggets, french fries, or hamburger patties.

To set the oven KIDS MEAL:

- 1 Press **Kids Meal** key in upper oven. **FROZEN PIZZA, REGULAR** will appear in display.
- 2 Continue pressing **Kids Meal** to select **FROZEN PIZZA, RISING; FRESH PIZZA; CHICKEN NUGGETS; FRENCH FRIES; or HAMBURGER PATTIES.**
- 3 Press the **START** key. **PREHEATING** will appear on the display.
- 4 Once the oven is preheated, place the food in the oven and set the cooking time according to package direction.

Display Screen (example):



NOTE

Preheating is necessary for better cooking results. Place the food in the oven after preheating.
- Use an offset rack for kids meal cooking.

KIDS MEAL Chart

Food	Recommend- ed Size	Shelf Posi- tion	Recommended Time (minutes)
Frozen pizza, Regular crust	12"	B	Follow pack- age instructed times.
Frozen pizza, Rising crust	12"	B	Follow pack- age instructed times.
Fresh pizza	12"	B	Follow pack- age instructed times.
Chicken nuggets	1-4 servings (3.5oz per 1 serving)	B	Follow pack- age instructed times.
French fries	1-4 servings (3.5oz per 1 serving)	B	Follow pack- age instructed times.
Hamburger pat- ties	4-12 patties, 1/2" thick	A	Follow pack- age instructed times.

This chart is for reference only.

WARM (Upper & Lower Oven)

This function will maintain an oven temperature of 170°F. The **WARM** function will keep cooked food warm for serving up to 3 hours after cooking has finished. The Warm function may be used without any other cooking operations or can be used after cooking has finished using **TIMED BAKE** or **DELAYED TIMED BAKE**.

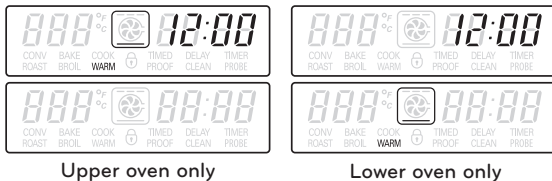
NOTE

- The **WARM** function is intended to keep food warm. Do not use it to cool food down.
- When the lower oven is above 475°F, the **WARM** function of the upper oven cannot be used. **Hot** will appear on the display.

To set the WARM function:

- 1 Press the **Warm** key of the upper and/or lower oven.
- 2 Press the **START** key.

Display Screen (example):



To set the warm function after Timed Cooking:

- 1 Set either **TIMED COOK** or **DELAYED TIMED COOK** (refer to "TIMED COOK" or "DELAYED TIMED COOK" in the How to Use section).
- 2 Press the **START** key.
- 3 Press the **Warm** key.
The Warm mode is set to turn on automatically after completing the timed cooking or delayed cooking time.

NOTE

- To cancel the **Warm** function, press the **Upper CLEAR/OFF** or **Lower CLEAR/OFF** key at any time.
- If **Upper CLEAR/OFF** or **Lower CLEAR/OFF** is pressed prior to the delay functions, all cooking settings will be canceled.

PROOF (Lower Oven)

This feature maintains a warm oven for rising yeast leavened products before baking.

To set the PROOF function:

- 1 Use rack B or C for proofing.
- 2 Press the **Proof** key.
- 3 Press the **START** key.

Display Screen (example):



- 4 When proofing is finished, press the **Lower CLEAR/OFF** key.

NOTE

- To avoid lowering the oven temperature and lengthening proofing time, do not open the oven door unnecessarily. Check bread products early to avoid over-proofing.
- Do not use the proofing mode for warming food or keeping food hot. The proofing oven temperature is not hot enough to hold foods at safe temperatures. Use the **WARM** feature to keep food warm.
Proofing will not operate when the oven is above 125°F. **Hot** will show in the display.

FAVORITE (LDG3036ST/LDG3036BD/ LDG3037ST Lower Oven)

This feature may store and recall up to 3 different settings. The favorite setting feature may be used with COOK TIME feature. This feature will not work with any other function including START TIME feature.

1 To set FAVORITE

- 1) Place the food in the oven.
- 2) Press **Favorite** key to select the food.
Default temperature will appear in display and **COOK** will blink.

Category how to select	Touch favorite	Default temp. (May be changed)	Operating feature
Bread	Press Favorite key once.	375°F	BAKE
Meat	Press Favorite key twice.	325°F	Convection Roast
Chicken	Press Favorite key 3 times.	350°F	Convection Roast

- 3) Press the number keys to set the desired oven temperature. This temperature will be stored and be recalled next use.
- 4) Press the **START** key. The preheat indicator tones will sound 3 times when the oven reaches the programmed temperature.

NOTE

- Only the temperature you selected will be stored, not the cooking time.
- If the oven temperature is changed, the changed temperature will be stored.
- The stored temperature is retained after a power failure.

SABBATH (Upper & Lower Oven)

The SABBATH mode is typically used on the Jewish Sabbath and Holidays. When the SABBATH mode is activated, the oven does not turn off until the SABBATH mode is deactivated. In SABBATH mode, all function keys, except for the **Upper CLEAR/OFF** and **Lower CLEAR/OFF** keys, are inactive. 5b will appear in oven display.

NOTE

- IF the oven light is turned ON and the SABBATH mode is active, the oven light will remain ON until the SABBATH mode is turned OFF. If the oven light needs to be OFF, be sure to turn the oven light OFF before activating the SABBATH mode.
- SABBATH mode can only be used while baking (BAKE mode) in either the top, bottom, or both ovens.
- You can use TIMED COOK in another oven while either the upper oven or lower oven is activated. Refer to "TIMED COOK" in the Using Oven section.

To set the SABBATH mode:

- 1 Press the **Bake** key.
- 2 Using the number keys, enter the desired temperature.
- 3 Press the **START** key.
- 4 Press and hold the **Setting** key for three seconds.

Display Screen (example):



Upper oven only

Lower oven only



Upper & Lower oven at the same time

NOTE

- To cancel the BAKE function, press the **Upper CLEAR/OFF** or **Lower CLEAR/OFF** key at any time.
- To cancel the SABBATH mode, press and hold the **SETTING** key for three seconds.

To change the temperature while in SABBATH mode (no tones sound & no display change):

- 1 Press the upper or lower oven **Bake** key.
- 2 Using the number keys, set the desired temperature.
- 3 Press the **START** key.

NOTE

There is a 15 second delay before the unit will recognize the temperature change.

CARE AND CLEANING

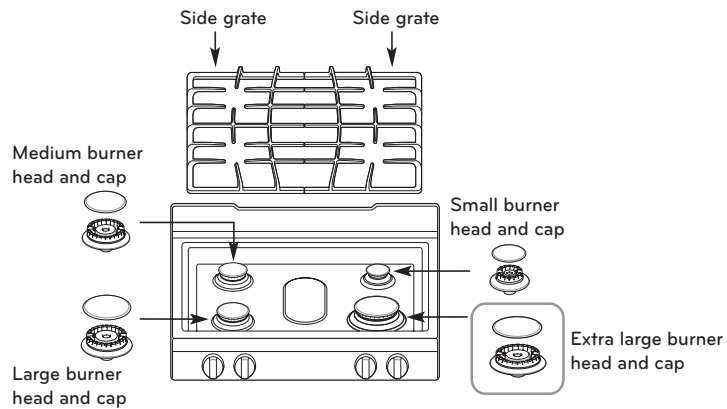
Gas Surface Burner

CAUTION

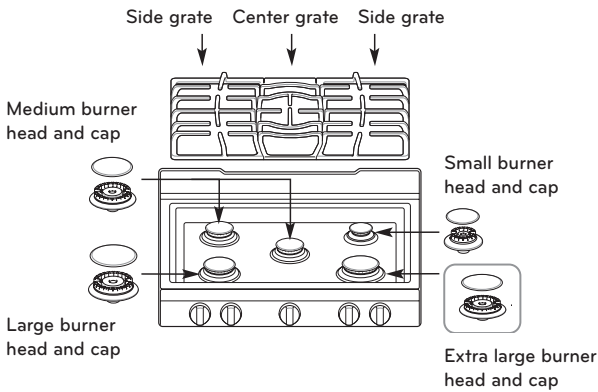
- DO NOT clean this appliance with bleach.
- To prevent burns, wait until the cooktop has cooled down before touching any of its parts.

Removing and Replacing the Gas Surface Burner

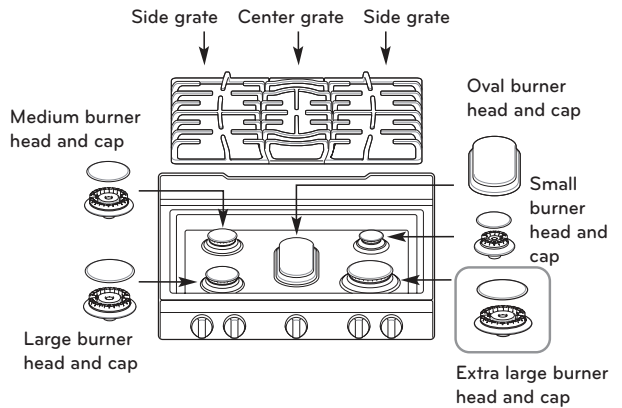
Grates and burner caps/heads can be removed for care and cleaning.



For Model: LDG3031ST



For Model: LDG3035S



For Model: LDG3036ST / LDG3036BD / LDG3037ST

	General burner
Burner cap is properly set.	
Burner cap is NOT properly set.	

Burner Heads/Caps

For even and unhampered flame, the slits in the burner heads must be kept clean at all times. The burner heads and (the oval burner head) & Cap assembly can be lifted off.

- Wash the burner caps in hot soapy water and rinse with clean water.
- Any spills on or around an electrode must be carefully cleaned.
- To remove burnt-on food, soak the burner heads in a solution of mild liquid detergent and hot water for 20–30 minutes. For stubborn stains, use a toothbrush.
- The burners will not operate properly if the burner ports or electrodes are clogged or dirty.
- Burner caps and heads should be cleaned routinely, especially after bad spillovers.
- Burners will not light if the cap is removed.

After Cleaning the Burner Heads/Caps

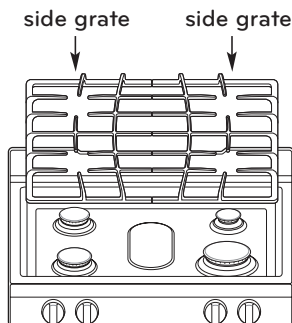
Shake out any excess water and then let them dry thoroughly. Replace the burner heads and caps over the electrodes on the cooktop, in the correct locations according to their size. Make sure the hole in the burner head is positioned over the electrode.

⚠ CAUTION

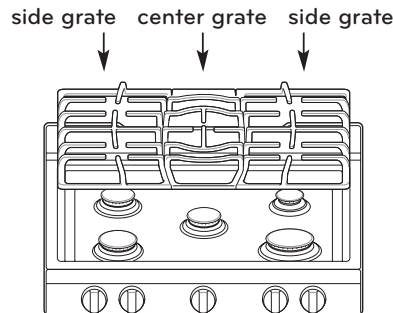
- **DO NOT** hit the electrodes with anything hard. Doing so could damage them.
- **DO NOT** use steel wool or scouring powders to clean the burners.

Burner Grates

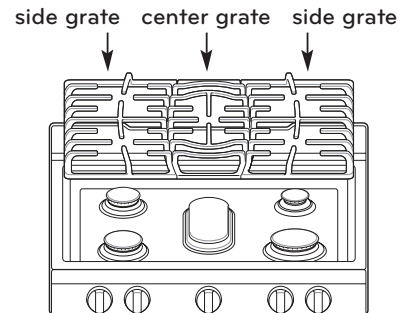
The range consists of three separate professional-style grates. For maximum stability, these grates should only be used when in their proper position. The two side grates can be interchanged from left to right and front to back. The center grate can be interchanged from front to back.



For Model: LDG3031ST



For Model: LDG3035S



For Model: LDG3036ST / LDG3036BD
/ LDG3037ST

⚠ NOTE

Do not operate a burner for an extended period of time without cookware on the grate. The finish on the grate may chip without cookware to absorb the heat.

Cleaning the Burner Grates

- Do not lift the grates out until they have cooled.
- Grates should be washed regularly and after spillovers.
- Wash the grates in hot, soapy water and rinse with clean water.
- The grates are dishwasher safe.
- After cleaning the grates, let them dry completely and securely position them over the burners.

⚠ CAUTION

DO NOT put the grate in the oven during self-cleaning mode.

Cooktop Surface

To avoid burns, do not clean the cooktop surface until it has cooled. Foods with high acid or sugar content could cause a dull spot if allowed to set. Wash and rinse when the surface has cooled. For other spills such as oil/grease spattering, etc., wash with soap and water when the surface has cooled. Then rinse and polish with a dry cloth.

! NOTE

Do not lift the cooktop surface. Lifting the cooktop surface can lead to damage and improper operation of the range.

Stainless Steel Surfaces

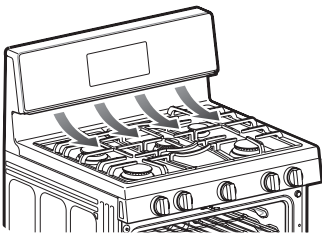
To inquire about purchasing stainless steel appliance cleaner or polish, or to find the location of a dealer nearest you, please call our toll-free customer service number: **1-800-243-0000** or visit our website at: **www.lg.com**

! NOTE

- Do not use a steel wool pad; it will scratch the surface.
- To clean the stainless steel surface, use warm sudsy water or a stainless steel cleaner or polish.
- Always wipe in the direction of the metal surface finish.

Oven air vents

Air openings are located at the rear of the cooktop, at the top and bottom of the oven door, and at the bottom of the range.



! NOTE

Do not block the vents and air openings of the range. They provide the air inlet and outlet that are necessary for the range to operate properly with correct combustion.

Control Panel

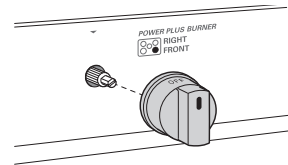
To prevent activating the control panel during cleaning, unplug the range. Clean up splatters with a damp cloth using a glass cleaner. Remove heavier soil with warm, soapy water. Do not use abrasives of any kind.

Front manifold panel and knobs

It is best to clean the manifold panel after each use of the oven. For cleaning, use a damp cloth and mild soapy water or a 50/50 solution of vinegar and water. For rinsing, use clean water and polish dry with a soft cloth.

! NOTE

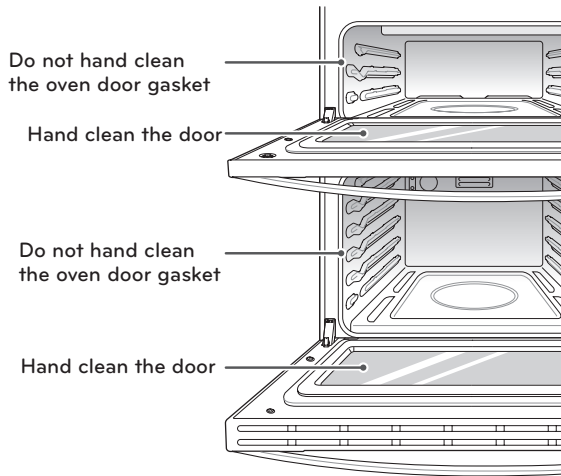
- Do not use abrasive cleansers, strong liquid cleaners, plastic scouring pads or oven cleaners on the manifold panel. Doing so will damage the finish.
- Do not try to bend the knobs by pulling them up or down or by hanging a towel or other objects on them. This can damage the gas valve shaft.
- The control knobs may be removed for easy cleaning.
- To clean the knobs, make sure that they are in the "OFF" position and pull them straight off the stems.
- To replace the knobs, make sure the knob has the "OFF" position centered at the top, and slide the knob directly onto the stem.



! NOTE

To prevent scratching, do not use abrasive cleaners on any of these materials.

Oven Door



- Use soapy water to thoroughly clean the oven door. Rinse well. **DO NOT** immerse the door in water.
- You may use a glass cleaner on the outside glass of the oven door. **DO NOT** spray water or glass cleaner on the door vents.
- **DO NOT** use oven cleaners, cleaning powders, or harsh abrasive cleaning materials on the outside of the oven door.
- **DO NOT** clean the oven door gasket. The oven door gasket is made of a woven material that is essential for a good seal. Care should be taken not to rub, damage, or remove this gasket.

NOTE

Do not use cleaners or harsh abrasive cleaning materials on the outside of the oven door. Doing so can cause damage.

Removing and replacing the doors

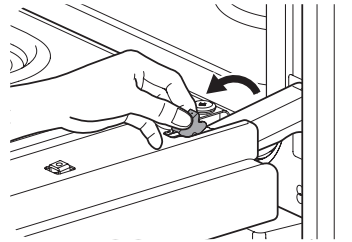
Do not close the oven door until all of the oven racks are completely in place.

CAUTION

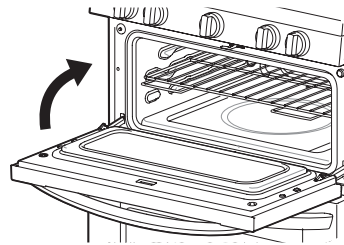
- Be careful when removing and lifting the door.
- **DO NOT** lift the door by the handle.
- **DO NOT** hit the glass with pots, pans, or any other object.
- Scratching, hitting, jarring or stressing the glass may weaken its structure, causing an increased risk of breakage at a later time.

Removing the Upper Oven Door

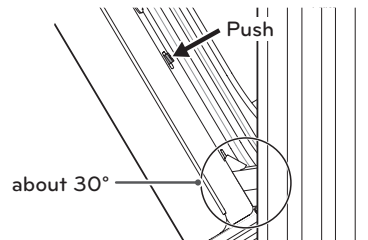
- 1 Fully open the door. Lift up the hinge locks toward the oven frame until they stop.



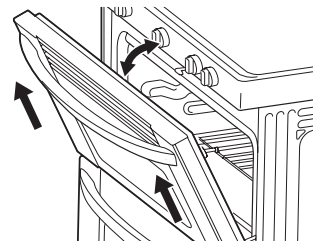
- 2 Close the door to approximately 30 degrees.



- 3 Press down the release buttons on each hinge on both sides of the door.

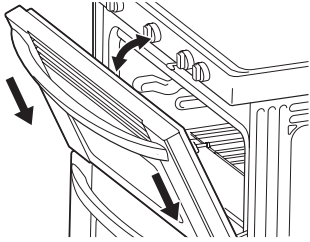


- 4 Lift up the door until it is clear off the hinge.

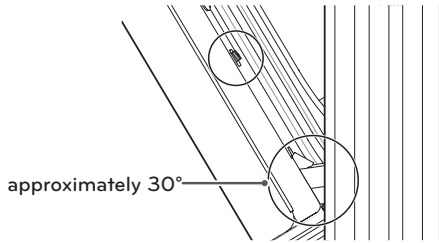


Replacing the Upper Oven Door

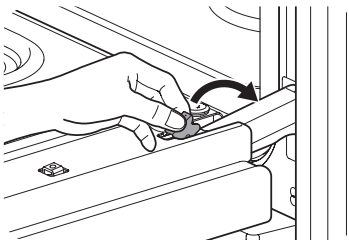
- 1 Be sure that the hinges are lined up at a 30 degree position.



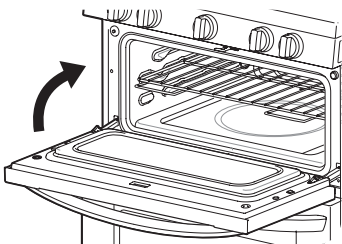
- 2 Slide the door back into the hinges until you hear a solid click and the release buttons have engaged.



- 3 Fully open the door. Push the hinge locks down onto the hinge.

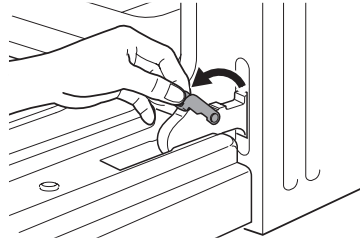


- 4 Close the oven door.

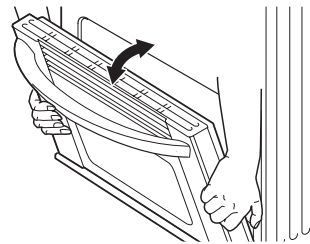


Removing the Lower Oven Door

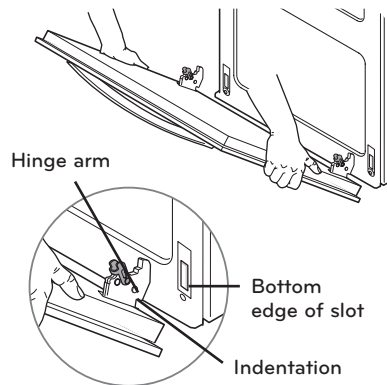
- 1 Fully open the door. Lift up the hinge locks toward the oven frame until they stop.



- 2 Close the door to the removal position (approximately five degrees).

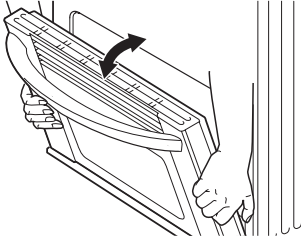


- 3 Lift the door up and out until the hinge arm is clear off of the slot. Put the door on the floor.

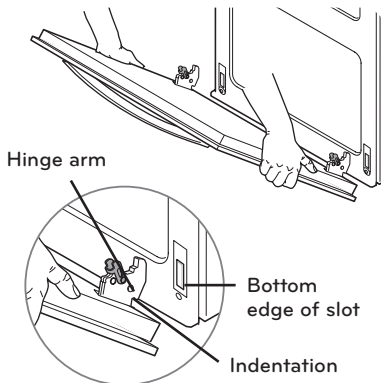


Replacing the Lower Oven Door

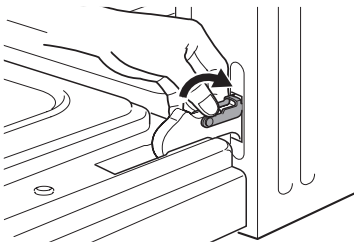
- 1 Firmly grasp both sides of the door at the top and close the door to the removal position (approximately five degrees).



- 2 Seat the indentation of the hinge arm into the bottom edge of the hinge slot.



- 3 Open the door to its full extension. Push the hinge locks down against the front frame of the oven cavity to the locked position. Close the oven door.



NOTE

If the door will not fully open, the indentation is not seated correctly in the bottom edge of the slot.

Inside of the Oven

Cleaning Guide

Soil Level	Cycle Setting
Lightly Soiled Oven Cavity	2 Hour Self Clean
Moderately Soiled Oven Cavity	3 Hour Self Clean
Heavily Soiled Oven Cavity	4 Hour Self Clean

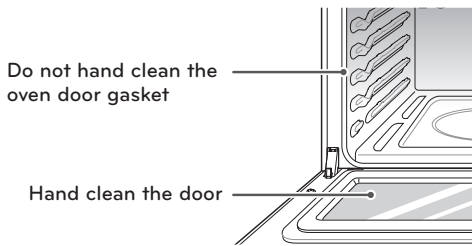
SELF CLEAN (Upper & Lower Oven)

The SELF CLEAN cycle uses above normal cooking temperatures to clean the oven cavity. You may see some smoke and smell an odor the first few times the oven is cleaned. This is normal and will lessen in time. Smoke may also occur if the oven is heavily soiled. During self clean, the kitchen should be well ventilated to minimize the odors from cleaning. The upper and lower oven SELF CLEAN cannot be operated simultaneously.

CAUTION

- **DO NOT** leave small children unattended near the appliance. During the self cleaning cycle, the outside of the range can become very hot to the touch.
- **If you have a pet bird, move it to another well-ventilated room.** Some birds are extremely sensitive to the fumes given off during the self cleaning cycle of any range.
- **DO NOT** wrap the oven walls, racks, bottom or any other part of the range with aluminum foil or any other material. Doing so will destroy the heat distribution, produce poor baking results, and cause permanent damage to the interior of the oven (aluminum foil will melt to the interior surface of the oven).
- **DO NOT** force the door open. This can cause damage to the automatic door locking system. Use care when opening the oven door after the Self Cleaning cycle. Stand to the side of the oven when opening the door to allow hot air or steam to escape. The oven may still be very hot.
- **Do not touch the oven broil element until it has completely cooled.**

Before Starting SELF CLEAN



- Remove the oven racks, broiler pan, broiler grid, all cookware, aluminum foil or any other material from the oven.
- The kitchen should be well ventilated to minimize the odors from cleaning.
- If running a self clean in one of the ovens, the other oven can not be used.
- Wipe any heavy spillovers on the bottom of the oven.
- Make sure that the oven light bulb cover is in place and the oven light is off.
- The oven light cannot be turned on during a self clean cycle. The oven light cannot be turned on until the oven temperature has cooled below 500°F (260°C) after a self clean cycle is complete.
- Fine lines may appear in the porcelain because it went through heating and cooling. This is normal and will not affect performance.

NOTE

- Clean the frame of the oven and door with hot soapy water. Rinse well.
- Do not clean the oven door gasket. The oven door gasket is made of a woven material that is essential for a good seal. Care should be taken not to rub, damage, or remove this gasket.
- Do not open the oven door until the self clean cycle is complete.
- The oven door can become extremely hot. Do not touch the oven door until it has cooled down.
- You may see some smoke and smell an odor the first few times the oven is cleaned. This is normal.
- As the oven heats, you may hear sounds of metal parts expanding and contracting. This is normal.
- A self clean cycle cannot be started if the Oven Lock-out feature is active.

To Set Self Clean

- 1 Press **Upper Self Clean** or **Lower Self Clean** key.

The oven defaults to the recommended three hour self clean for a moderately soiled oven. Press twice for a two hour self clean and three times for a four hour self clean.

- 2 Press the **START** key.

Once the self clean is set, the oven door will lock automatically and **L** will display. You will not be able to open the oven door until the oven is cooled. The lock will release automatically when the oven has cooled.

CAUTION

DO NOT force the oven door open when **L** is displayed. The oven door will remain locked until the oven temperature has cooled. Forcing the door open will damage the door.

To Set Self Clean with a Delayed Start

(example: set for 3:00 AM/PM)

- 1 Press **Upper Self Clean** or **Lower Self Clean** key.

The oven defaults to the recommended three hour self clean for a moderately soiled oven. Press twice for a four hour self clean and three times for a two hour self clean.

- 2 Press the **Start Time** key.

- 3 Use the keypad to enter in the time of day that you would like the oven to start the Self Clean cycle (ex. **3, 0, 0**).

NOTE

The Delayed Self Clean start time can only be set 11 hours and 59 minutes ahead. To set for 12- 24 hours in advance, see "How to change hour mode on clock."

- 4 Press the **START** key

Once the self clean is set, the oven door will lock automatically and **L** will display. You will not be able to open the oven door until the oven is cooled. The lock will release automatically when the oven has cooled.

NOTE

It may become necessary to cancel or interrupt a self clean cycle due to excessive smoke or fire in the oven.

To Cancel the Self Clean function, press the **Upper CLEAR/OFF** or **Lower CLEAR/OFF** key.

After Self Clean

- You may notice some white ash in the oven. Wipe it off with a damp cloth after the oven cools.
- If the oven is not clean after one clean cycle, repeat the clean cycle.
- If the oven racks were left in the oven and do not slide smoothly after a clean cycle, wipe racks and rack supports with a small amount of vegetable oil to make them glide easier.

EasyClean™

LG's new oven with EasyClean™ enamel technology gives you two cleaning options for the inside of your range. The EasyClean™ feature takes advantage of LG's new enamel to help lift soils without harsh chemicals, and it runs using ONLY WATER for just 20 minutes in low temperatures to help loosen LIGHT soils before hand-cleaning.

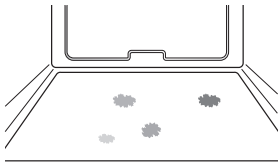
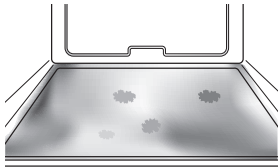
While EasyClean™ is quick and effective for small and LIGHT soils, the Self Clean feature can be used to remove HEAVY built up soils. The intensity and high heat of the Self Clean cycle may result in smoke which will require the opening up of windows to provide ventilation. Compared to the more intense Self Clean process, your LG oven gives you the option of cleaning with LESS HEAT, LESS TIME, and virtually NO SMOKE OR FUMES.

When needed, your range still provides the Self Clean option for longer, more thorough oven cleaning for heavier, built up soils.

BENEFITS OF EasyClean™

- Helps loosen light soils before hand-cleaning
- EasyClean™ only uses water; no chemical cleaners
- Makes for a better Self Clean experience
 - Delays the need for a Self Clean cycle
 - Minimizes smoke and odors
 - Can allow shorter Self Clean time

WHEN TO USE EasyClean™

Suggested Cleaning Method	Example of Oven Soiling	Soil Pattern	Types of Soils	Common Food Items That Can Soil Your Oven
EasyClean™		Small drops or spots	Cheese or other ingredients	Pizza
		Light splatter	Fat/grease	Steaks, broiled
				Fish, broiled
Self Clean*		Medium to heavy splatter	Fat/grease	Meat roasted at high temperatures
		Drops or spots	Filling or sugar based soils	Pies
			Cream or tomato sauce	Casseroles

* The Self Clean cycle can be used for soil that has been built up over time.

CLEANING TIPS

- Allow the oven to cool to room temperature before using the EasyClean™ cycle. If your oven cavity is above 150°F (65°C), "OVEN IS HOT- - PLEASE WAIT" will appear in the display, and the EasyClean™ cycle will not be activated until the oven cavity cools down.
- A plastic spatula can be used as a scraper to scrape off any chunks or debris before and during oven cleaning.
- Using the rough side of a non-scratch scouring pad may help to take off burnt-on stains better than a soft sponge or towel.
- Certain non-scratch scrubbing sponges, such as those made of melamine foam, available at your local stores, can also help improve cleaning.
- The range should be level to ensure that the bottom surface of the oven cavity is entirely covered by water at the beginning of the EasyClean™ cycle.
- For best results, use distilled or filtered water. Tap water may leave mineral deposits on the oven bottom.
- Soil baked on through several cooking cycles will be more difficult to remove with the EasyClean™ cycle.
- Do not open the oven door during the EasyClean™ cycle. Water will not get hot enough if the door is opened during the cycle.
- For hard to reach areas such as the back surface of the lower oven, it is better to use the Self Clean cycle.

EasyClean™ INSTRUCTION GUIDE

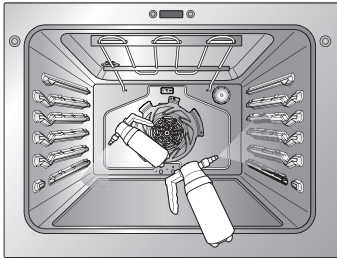
1. Remove oven racks and accessories from the oven.
2. Scrape off and remove any burnt-on debris with a plastic scraper.



Suggested plastic scrapers:

- Hard plastic spatula
- Plastic pan scraper
- Plastic paint scraper
- Old credit card

3. Fill a spray bottle with 1¼ cups (10 oz or 300 ml) of water and use the spray bottle to thoroughly spray the inside surfaces of the oven.



4. Use at least ¼ cup (2oz or 50 ml) of the water to completely saturate the soil on both the walls and in the corners of the oven.
5. Spray or pour the remaining 1 cup (8 oz or 250 ml) of water onto the bottom center of the oven cavity. The indentation on the oven bottom should be fully covered to submerge all soils. Add water if necessary.

! NOTE

Use the "mist" setting on the spray bottle for better coverage. The entire 1¼ cup (10oz or 300 ml) of water should be used for each oven cavity cleaned. Do not spray water directly on the door. Doing so will result in water dripping to the floor.

6. Close the oven door.
Press the **EasyClean™** button.
Press the **START** button.

! NOTE

For electric double oven range models, the upper oven is designed to work without the use of heat. It is normal for the electric upper oven to not heat during EasyClean cycle.

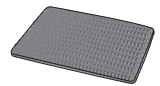
! CAUTION

- Some surfaces may be hot after the EasyClean™ cycle. Wear rubber gloves while cleaning to prevent burns.
- During the EasyClean™ cycle, the oven bottom becomes hot enough to cause burns. Wait until the cycle is over before wiping the inside surface of the oven. Failure to do so may result in burns.
- Avoid leaning or resting on the oven door glass while cleaning the oven cavity.

7. A tone will sound at the end of the 20-minute cycle. Press the **CLEAR OFF** button to clear the display and end the tone.

8. After the cleaning cycle and during hand-cleaning, enough water should remain on the oven bottom to completely submerge all soils. Add water if necessary. Place a towel on the floor in front of the oven to capture any water that may spill out during hand-cleaning. If you are cleaning the upper oven on a double oven range, it is also best to cover the holes in the top of the lower oven door with a towel to capture any water that may drip into the door during hand-cleaning.

9. Clean the oven cavity immediately after the EasyClean™ cycle by scrubbing with a wet, non-scratch scouring sponge or pad. (The scouring side will not scratch the finish.) Some water may spill into the bottom vents while cleaning, but it will be captured in a pan under the oven cavity and will not hurt the burner.



! NOTE

DO NOT use any steel scouring pads, abrasive pads or cleaners as these materials can permanently damage the oven surface.

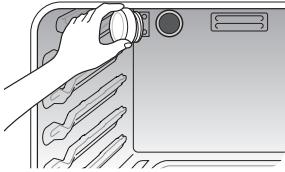
10. Once the oven cavity is cleaned, wipe any excess water with a clean dry towel. Replace racks and any other accessories.
11. If some light soils remain, repeat the above steps, making sure to thoroughly soak the soiled areas. If stubborn soils remain after multiple EasyClean™ cycles, run the Self Clean cycle. Be sure that the oven cavity is empty of oven racks and other accessories, and that the oven cavity surface is dry before running the Self Clean cycle. Consult the Self Clean section of your owner's manual for further details.

! NOTE

- If you forget to saturate the inside of the oven with water before starting EasyClean™, press the **CLEAR OFF** button to end the cycle. Wait for the range to cool to room temperature and then spray or pour water into the oven and start another EasyClean™ cycle.
- The cavity gasket may be wet when the EasyClean™ cycle finishes. This is normal. Do not clean the gasket.
- If mineral deposits remain on the oven bottom after cleaning, use a cloth or sponge soaked in vinegar to remove them.

Changing the Oven Light

The oven light is a standard 40-watt appliance bulb. It will turn on when the oven door is open. When the oven door is closed, press the **Oven Light** key to turn the light on or off. (LDG3037ST Model: separated Upper Light, Lower Light key.)



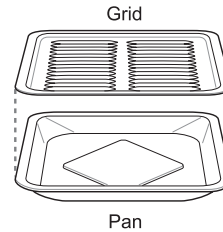
To replace the oven light

- 1 Unplug the range or disconnect power.
- 2 Turn the glass bulb cover in the back of the oven counter-clockwise to remove.
- 3 Turn the bulb counter-clockwise to remove from socket.
- 4 Insert the new bulb and turn it clockwise.
- 5 Insert the glass bulb cover and turn it clockwise.
- 6 Plug in the range or reconnect the power.

! WARNING

- Make sure that the oven and bulb are cool.
- DISCONNECT the electrical power to the range at the main fuse or circuit breaker panel. Failure to do so can result in severe personal injury, death, or electrical shock.

Broiler Pan and Grid (sold separately)



! NOTE

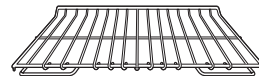
Remove the broiler pan and grid from the oven before operating the self clean cycle.

- 1 After broiling, remove the broiler pan from the oven. Remove the grid from the pan.
- 2 Carefully pour out the grease from the pan into a proper container.
- 3 Wash and rinse the broiler pan and grid in hot water with a soap-filled or plastic scouring pad. If food has burnt on, sprinkle the grid with cleaner (while hot) and cover it with wet paper towels or a dishcloth. Soaking the pan will remove burnt-on foods. Both the broiler pan and grid may be cleaned with a commercial oven cleaner. Both the broiler pan and grid can also be cleaned in a dishwasher.

Oven racks

Remove the oven racks before operating the self clean cycle.

- 1 Food spilled into the tracks could cause the racks to become stuck. Clean with a mild, abrasive cleaner.
- 2 Rinse with clean water and dry.



! NOTE

If the racks are cleaned using the self clean cycle (not recommended), the color will turn slightly blue and the finish will become dull. After the self clean cycle is complete, and the oven has cooled, rub the sides of the racks with wax paper or a cloth containing a small amount of oil. This will make the racks glide easier into the rack tracks.

BEFORE REQUESTING SERVICE

Symptoms and Questions	Possible Cause/Solution
Top burners do not light or do not burn evenly.	<ul style="list-style-type: none"> • Make sure that the electrical plug is inserted into a live, properly grounded outlet. • Remove the burners and clean them. Check the electrode area for burnt-on food or grease. See "Burner caps/burner head cleaning" in the Care and Cleaning section. • Make sure that the burner parts are installed correctly. See "Burner caps/heads cleaning" in the Care and Cleaning section.
Burner flames are very large or yellow.	If the range is connected to LP gas, contact the technician who installed your range or made the conversion.
Surface burners light but the oven does not.	Make sure that the oven gas shut-off valve, located behind the range, is fully open.
Food does not bake or roast properly.	<ul style="list-style-type: none"> • Incorrect oven control settings. See "Using control panel" in the How to Use section. • Incorrect rack position. See "Replace and remove Oven rack" or "Shelf position Baking time" in the How To Use section. • Incorrect cookware is being used. See "Roast" or "Bake" in the How To Use Section. • Oven thermostat needs adjustment. See "How to adjust the temperature" in the Operating Instructions section. • The Clock is not set correctly. See "How to set the clock and the timer" in the Operating Instructions section. • Aluminum foil used improperly in the oven. See "Using the oven."
Food does not broil properly in the oven.	<ul style="list-style-type: none"> • Incorrect oven control settings. See "Using control panel" in the How to Use section. • The oven door is not closed. See "Using the oven" in the How to Use section. • Aluminum foil used on the broiling pan and grid is not fitted properly.
Oven temperature is too hot or too cold.	The oven thermostat needs adjustment. See "How to adjust the temperature" in the Operating Instructions section.
Clock and timer does not work.	<ul style="list-style-type: none"> • Make sure the electrical plug is inserted into a live, properly grounded outlet. Replace the fuse or reset the circuit breaker. • Improper oven control settings. See "How to set the clock and the timer" in the Operating Instructions section.
Oven light does not work.	<ul style="list-style-type: none"> • The light bulb is loose or defective. Tighten or replace the bulb. • The plug on the range is not completely inserted in the electrical outlet. Make sure the electrical plug is inserted into a live, properly grounded outlet.
Self clean is not working.	<ul style="list-style-type: none"> • The oven temperature is too high to set a self clean operation. Allow the range to cool down to room temperature and reset the controls. • Improper oven control settings. See "Self Clean" in the Care and Self Cleaning section.
"Crackling" or "popping" sound.	This is the sound of the metal heating up and cooling down during both the cooking and cleaning functions. This is normal.

Symptoms and Questions	Possible Cause/Solution
Too much smoke during the self clean cycle.	Too much soil in the oven. Open the windows to get rid of the smoke from the room. Press the ^{Upper} CLEAR/OFF or ^{Lower} CLEAR/OFF key. Wait until the 6 light goes off before trying to open the oven door. Wipe up the excess soil and reset the clean cycle.
The oven door does not open after a self clean cycle.	The oven temperature is too high. Wait up to one hour to cool down.
The oven door is not clean after a self clean cycle.	<ul style="list-style-type: none"> • Incorrect oven control settings. See "Self Clean" in the Care and Cleaning section. • The oven was heavily soiled. Clean up heavy spills before beginning the self clean cycle. Heavily soiled ovens may need either a longer self clean or two self clean cycles.
"CLOSE DOOR TO CONTINUE BROILING" or "DOOR OPENED" appears in the display.	Close the oven door.
"DOOR LOCKED" message appears when you want to cook.	The oven door is locked because the temperature inside of the oven is too high. Press the ^{Upper} CLEAR/OFF or ^{Lower} CLEAR/OFF key.
Oven control beeps and displays an F error code.	<ul style="list-style-type: none"> • Press the ^{Upper} CLEAR/OFF or ^{Lower} CLEAR/OFF key and wait for one hour. • Check the main gas shut-off valve or the oven gas shut-off valve and call for service. • Remove the power from the range for five minutes and then reconnect the power. If the function error code repeats, call for service.
The oven racks were cleaned in a self clean cycle.	Apply a small amount of vegetable oil to a paper towel and wipe the edges of the oven racks. Do not use lubricant sprays.
Clock is flashing.	Power outage or surge. Reset the clock. If the oven was in use, you must reset it by pressing the ^{Upper} CLEAR/OFF or ^{Lower} CLEAR/OFF key. Reset the clock and any cooking function.
"Burning" or "oily" odor emitting from the vent.	This is normal in a new oven. To speed the process, set a self clean cycle for a minimum of three hours. See "Self Clean" in the Care and Cleaning section.
Strong odor.	An odor from the insulation around the inside of the oven is normal for the first few times the oven is used.
Fan noise (convection models)	The convection fan may turn on and off automatically. This is normal.
Convection fan not working (convection models).	The preheating temperature has not been reached. The Fan will start automatically once the preheating temperature is reached.
Burners are not lighting properly after cleaning the cooktop surface.	Make sure that the burner heads and caps are completely dry and properly positioned.
When lighting just one burner, clicking noise is heard from all the burners.	This is normal. Electric spark igniters from the burners cause the clicking noise. All the spark igniters on the cooktop will activate when igniting just one burner.
My range is still dirty after running the EasyClean™ cycle. What else should I do?	The EasyClean™ cycle only helps to loosen light soils in your oven range to assist in hand-cleaning of your oven. It does not automatically remove all soils after the cycle . Some scrubbing of your oven range is required after running the EasyClean™ cycle.

Symptoms and Questions	Possible Cause/Solution
I tried scrubbing my oven after running EasyClean™, but some soils still remain. What can I do?	EasyClean™ feature works best when the soils are fully soaked and submerged in water before running the cycle. If soils are not sufficiently soaked in water, it can negatively affect cleaning performance. Repeat the EasyClean™ process using sufficient water. Sugar-based and certain grease soils are especially hard to clean. If some stubborn soils remain, use the Self Clean feature to thoroughly clean your oven.
Soils on my oven walls are not coming off. How can I get my walls clean?	Soils on the side and rear walls of your oven range may be more difficult to fully soak with water. Repeat the EasyClean™ process with more than the 1/4 cup (2oz) spray recommended.
Will EasyClean™ get all of the soils and stains out completely?	It depends on the soil type. Sugar-based and certain grease stains are especially hard to clean. Also, if stains are not sufficiently soaked in water, then this can also negatively affect cleaning performance. If stubborn or built-up stains remain, use the Self Clean feature. Refer to the Self Clean section of your owner's manual.
Are there any tricks to getting some of the stubborn soils out?	Scraping the soils with a plastic scraper before and during hand-cleaning cleaning is recommended. Fully saturating soils with water is also recommended. However, certain types of soils are harder to clean than others. For these stubborn soils, the Self Clean cycle is recommended. Consult the Self Clean section of your owner's manual for details.
Is it safe for water to spill into the oven bottom vents during cleaning?	Some water spillage into the oven bottom vents (gas range) is okay. However, it is recommended to try avoid spilling too much water into the vents.
Is it safe for my broil burner or heater element to get wet during EasyClean™?	Yes. The broiler burner or heater element may get a little wet during cleaning. However, direct spray onto the broil burner and heater elements is not necessary because these are self-cleaning during regular use.
Do I need to use all 1-1/4 cup (10oz) of water for EasyClean™?	Yes. It is highly recommended that 1cup (8oz) of water be sprayed or poured on the bottom and additional 1/4cup (2oz) of water be sprayed on walls and other soiled areas to fully saturate the soils for better cleaning performance.
I see "smoke" coming out of my oven range's cooktop vents during EasyClean™. Is this normal?	This is normal. This is not "smoke." It is actually water vapor (steam) from the water in the oven cavity. As the oven heats briefly during EasyClean™, the water in the cavity evaporates and escapes through the oven vents.
How often should I use EasyClean™?	EasyClean™ can be performed as often as you wish. EasyClean™ works best when your oven is LIGHTLY soiled from such things as LIGHT grease splatter and small drops of cheese. Please refer to the EasyClean™ section in your owner's manual for more information.
What is required for EasyClean™?	A spray bottle filled with 1-1/4 cup of water, a plastic scraper, a nonscratch scrubbing pad and a towel. You should not use abrasive scrubbers such as heavy-duty scouring pads or steel wool.
Can I run the EasyClean™ cycle on both of my ovens at once?	Yes. You can run the EasyClean™ cycle on both ovens at the same time. Some oven surfaces will be hot after the cycle completes running. Avoid leaning or resting on the oven door glass while cleaning the oven cavities. You can not run the Self Clean cycle on both ovens at the same time.

WARRANTY

LG Electronics Inc. will repair or replace your product, at LG's option, if it proves to be defective in material or workmanship under normal use, during the warranty period set forth below, effective from the date of original consumer purchase of the product. This limited warranty is good only to the original purchaser of the product and effective only when used in U.S.A.

WARRANTY PERIOD	HOW SERVICE IS HANDLED
One Year From the date of the original purchase.	Any part of the oven that fails due to a defect in materials or workmanship. During this full one-year warranty , LG will also provide, free of charge , all labour and in-home service to replace the defective part.

THIS WARRANTY IS IN LIEU OF ANY OTHER WARRANTIES, EXPRESS OR IMPLIED, INCLUDING WITHOUT LIMITATION, ANY WARRANTY OF MERCHANTABILITY OR FITNESS FOR A PARTICULAR PURPOSE. TO THE EXTENT ANY IMPLIED WARRANTY IS REQUIRED BY LAW, IT IS LIMITED IN DURATION TO THE EXPRESS WARRANTY PERIOD ABOVE. LG WILL NOT BE LIABLE FOR ANY CONSEQUENTIAL, INDIRECT, OR INCIDENTAL DAMAGES OF ANY KIND, INCLUDING LOST REVENUES OR PROFITS, IN CONNECTION WITH THE PRODUCT. SOME STATES DO NOT ALLOW LIMITATION ON HOW LONG AN IMPLIED WARRANTY LASTS OR THE EXCLUSION OF INCIDENTAL OR CONSEQUENTIAL DAMAGES, SO THE ABOVE LIMITATIONS OR EXCLUSIONS MAY NOT APPLY TO YOU.

THIS LIMITED WARRANTY DOES NOT APPLY TO:

1. Service calls to correct the installation of your appliance, to instruct you how to use your appliance, to replace house fuses or correct house wiring, or to replace owner-accessible light bulbs.
2. Repairs when your appliance is used in other than normal, single-family household use.
3. Pickup and delivery. Your appliance is designed to be repairable in the home.
4. Damage resulting from accident, alteration, misuse, abuse, fire, flood, improper installation, acts of god, or use of products not approved by LG Corporation.
5. Repairs to parts or systems resulting from unauthorized modifications made to the appliance.
6. Replacement parts or repair labour costs for units operated outside the united states.
7. Any labour costs during the limited warranty period.

This warranty is extended to the original purchaser for products purchased for home use within the U.S.A. In Alaska, the warranty excludes the cost of shipping or service calls to your home.

Some states do not allow the exclusion or limitation of incidental or consequential damages, so this exclusion or limitation may not apply to you. This warranty gives you specific legal rights, and you may also have other rights which vary from state to state. To know what your legal rights are, consult your local or state consumer affairs or your state's Attorney General.

CUSTOMER ASSISTANCE INFORMATION:

To Prove Warranty Coverage	Retain your Sales Receipt to prove date of purchase. A copy of your Sales Receipt must be submitted at the time warranty service is provided.
To Obtain the Nearest Authorized Service Center or Sales Dealer, or to Obtain Product, Customer, or Service Assistance	Call 1-800-243-0000 (Phone answered 24 hours - 365 days a year) and choose the appropriate prompt from the menu; or visit our website at: www.lg.com

NOTE

MANUAL DE PROPIETARIO ESTUFA DE GAS CON HORNO DOBLE

Lea detenidamente estas instrucciones antes utilizar y guárdelas como referencia para el futuro.

LDG3037ST
LDG3036ST
LDG3035ST

LDG3035SB
LDG3035SW
LDG3031ST

LDG3036BD

INDICE DE CONTENIDOS

3 CARACTERÍSTICAS DEL PRODUCTO

4 INSTRUCCIONES DE SEGURIDAD IMPORTANTES

10 ANTES DE USAR

- 10 Accesorios
- 11 Componentes

12 CÓMO USAR

- 12 Hornallas a gas de la superficie
- 12 - Antes de usar
- 13 - Hornallas a gas
- 13 - Uso de las hornallas a gas de la superficie
- 14 - Utensilios ubicados sobre la estufa
- 15 - Uso de la parrilla (LDG3036ST / LDG3036BD / LDG3037ST)
- 16 Cómo usar el horno
- 16 - Antes de usar
- 18 - Cómo usar el panel de control
- 20 Instrucciones de funcionamiento
- 20 - Auto conversión de convección (LDG3036ST / LDG3036BD / LDG3037ST)
- 20 - Temperatura
- 20 - Idioma
- 20 - Luz de alarma de precalentado
- 21 - La luz del horno
- 21 - Volumen del bípé
- 21 - Fahrenheit o Celsius
- 21 - Reloj
- 22 - Temporizador
- 22 - De bloqueo
- 22 Cómo extraer y volver a colocar los estantes del horno
- 23 HORNEAR (Horno superior e inferior)
- 24 ASAR (Horno superior)
- 24 ASADO RÁPIDO (LDG3037ST Horno superior solamente)
- 29 COCCIÓN CON TEMPORIZADOR (Horno superior e inferior)
- 29 COCCIÓN CON TEMPORIZADOR RETARDADO (Horno superior e inferior)

- 30 Como usar la convección del horno inferior (LDG3036ST / LDG3036BD / LDG3037ST)
- 30 - CONVECCIÓN HORNEADO (LDG3036ST / LDG3036BD / LDG3037ST)
- 32 Precalentamiento y ubicación de las bandejas
- 32 - CONVECCIÓN ASADO PARA EL HORNO INFERIOR (LDG3036ST / LDG3036BD / LDG3037ST)
- 33 Características especiales
- 33 - PIZZA (Horno superior) (excepto LDG3037ST)
- 33 - PARA NIÑOS (LDG3037ST Horno superior solamente)
- 34 - CALENTAR (Horno superior e inferior)
- 34 - LEVAR (Para el horno inferior)
- 35 - FAVORITOS (LDG3036ST / LDG3036BD / LDG3037ST Horno inferior)
- 35 - SABBAT (Horno superior e inferior)

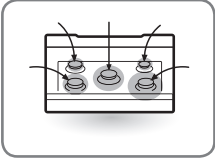
36 CUIDADO Y LIMPIEZA

- 36 Hornalla a gas de la superficie
- 36 - Cómo extraer y volver a colocar las hornallas a gas de la superficie
- 37 - Cabezales/tapas de las hornallas
- 37 - Parrillas de las hornallas
- 38 - Superficie de la estufa
- 38 - Superficies de acero inoxidable
- 38 - Conductos de ventilación del horno
- 38 Panel de control
- 38 - Panel frontal y perillas
- 39 Puerta del horno
- 39 - Cómo extraer y volver a colocar las puertas
- 41 Como limpiar el Interior del horno
- 41 - AUTO LIMPIEZA (Horno superior e inferior)
- 43 - Limpieza Fácil (EasyClean™)
- 45 - Cómo cambiar la luz del horno
- 45 - Cómo limpiar la bandeja y la rejilla para asar (Se vende por separado)
- 45 - Bandejas del horno

46 ANTES DE SOLICITAR SERVICIO TÉCNICO

49 GARANTÍA

CARACTERÍSTICAS DEL PRODUCTO



DIVERSOS TAMAÑOS DE HORNALLAS A GAS

Elija la hornalla que mejor se adapte al tamaño de su batería de cocina.
Es posible utilizar varias hornallas a la vez para cocinar distintas cosas al mismo tiempo.



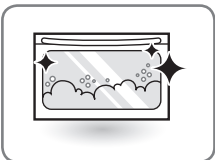
ESTUFA A GAS SEGURA, CONVENIENTE

Proporciona seguridad y conveniencia para cocinar.
Su sistema Superboil ("super hervido") (de 17000 BTU) puede rápidamente hacer hervir una olla de agua.



HORNO SUPERIOR / HORNO INFERIOR

Hornos superior e inferior separados.
Puede elegir utilizar un horno o ambos, dependiendo del tamaño de su comida.



SISTEMA DE AUTO LIMPIEZA (SELF CLEAN) & DE LIMPIEZA FÁCIL (EasyClean™)

Excelente para la limpieza fácil del aparato.

INSTRUCCIONES DE SEGURIDAD IMPORTANTES

Cumpla siempre con lo indicado en las siguientes señales de avisos de seguridad para evitar situaciones peligrosas y para asegurarse de obtener el máximo rendimiento de su producto.

ADVERTENCIA

Indica una situación peligrosa que puede resultar en lesiones graves o aún la muerte si no es evitada.

PRECAUCIÓN

Indica una situación peligrosa que, de no ser evitada, puede resultar en lesiones menores a moderadas.

QUÉ HACER SI HUELE GAS

1. Abra las ventanas.
2. **NO** intente encender ningún aparato.
3. **NO** toque ningún interruptor eléctrico.
4. **NO** utilice ningún teléfono de su edificio.
5. Comuníquese de inmediato con su proveedor de gas desde el teléfono de un vecino.
Siga las instrucciones del proveedor de gas.
6. Si no puede comunicarse con su proveedor de gas, contáctese con el departamento de bomberos.

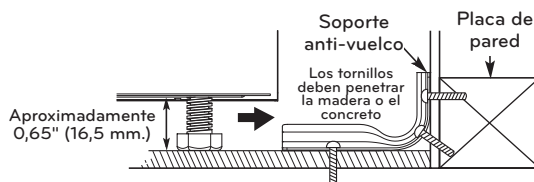
DISPOSITIVO ANTI-VUELCO

ADVERTENCIA

- TODAS LAS ESTUFAS PUEDEN VOLCARSE
- PUEDE OCASIONAR LESIONES A LAS PERSONAS
- INSTALE LOS DISPOSITIVOS ANTI-VUELCO QUE SE ENCUEN TRAN EN EL ENVOLTORIO JUNTO A LA ESTUFA
- LEA LAS INSTRUCCIONES DE INSTALACIÓN



- **NO se pare ni se sienta en la puerta. Instale el Soporte Anti-Vuelco que se encuentra en el envoltorio junto a la estufa.**
 - Si la estufa llegara a volcarse, podría provocarle lesiones al caerse líquidos o comidas calientes, o la estufa en sí misma.
 - En caso de tener que separar la estufa de la pared por motivos de limpieza, mantenimiento, o por cualquier otra razón, asegúrese de reajustar el dispositivo Anti-Vuelco cuando la estufa vuelva a colocarse contra la pared.



- Para reducir el riesgo de que la estufa se vuelque hacia adelante, ésta debe asegurarse instalando de manera apropiada los dispositivos anti-vuelco.
- Para verificar que el soporte anti-vuelco está correctamente instalado: Quite cualquier elemento ubicado sobre la estufa. Agarre la punta superior trasera de la estufa e intente inclinarla hacia adelante con cuidado. Verifique que los dispositivos anti-vuelco estén bien fijados.
- Extraiga los cajones calentadores o de almacenamiento y observe que la pata de nivelación trasera esté completamente insertada en el soporte anti-vuelco.
- Consulte el manual de instalación para aprender cómo instalar correctamente el soporte anti-vuelco.

AVISO IMPORTANTE DE SEGURIDAD

La Ley de Cumplimiento dispone que el Gobernador de California debe publicar una lista de sustancias conocidas por el Estado que pueden ocasionar defectos de nacimiento u otros daños reproductivos; asimismo, requiere que se advierta a los clientes los efectos de la exposición a tales sustancias.

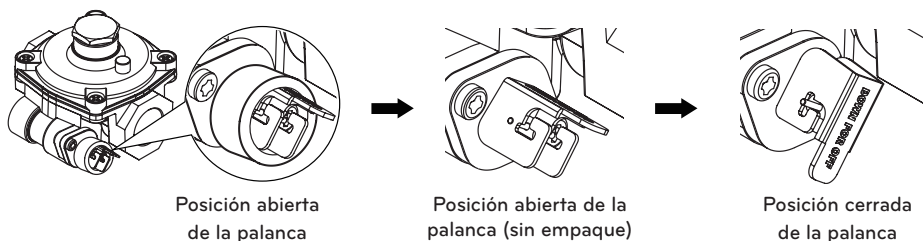
Los aparatos a gas pueden ocasionar una exposición menor a cuatro de estas sustancias, a saber, benceno, monóxido de carbono, formaldehído y hollín, causadas principalmente por la combustión imperfecta de gas natural o gas LP.

Las hornallas correctamente ajustadas minimizan la combustión imperfecta. El ajuste correcto de las hornallas lo indica su llama más bien azulada que amarilla. La exposición a las mencionadas sustancias puede minimizarse abriendo ventanas o utilizando un extractor de aire o campana de ventilación.

PRECAUCIONES DE SEGURIDAD

Solicite al instalador que le muestre dónde está ubicada la válvula de cierre de gas de la estufa y cómo cerrarla en caso de ser necesario.

- Asegúrese de que su estufa sea correctamente instalada y conectada a tierra por un instalador autorizado, de conformidad con las instrucciones de instalación. Cualquier mantenimiento y servicio debe ser efectuado solamente por instaladores de estufas de gas o técnicos de servicio autorizados.
- Conecte su estufa únicamente a tomacorrientes de 120 volts. No remueva las patas circulares de conexión a tierra del enchufe. En caso de tener alguna duda acerca de la puesta a tierra del sistema eléctrico de su hogar, es su obligación y responsabilidad personal reemplazar el tomacorriente sin conexión a tierra por un tomacorriente de tres patas correctamente conectado a tierra, de conformidad con el Código Eléctrico Nacional. No conecte la estufa a ningún cable de extensión.
- **NO** utilice enchufes adaptadores, cables de extensión, ni remueva las patas de conexión a tierra del cable de corriente eléctrica, a fin de prevenir peligros de incendio o descargas eléctricas. No seguir esta advertencia puede ocasionar lesiones serias, incendios o aún la muerte.
- Para prevenir una circulación pobre de aire, coloque el aparato lejos del lugar de tránsito de la cocina y fuera de lugares donde circulen corrientes de aire.
- **NO** intente reparar o reemplazar ninguna pieza del aparato a menos que así lo indique específicamente este manual. Todos los servicios a realizar en la estufa deben ser efectuados por un técnico autorizado.
- Asegúrese de que todos los materiales de empaque sean removidos de la estufa antes de ponerla en funcionamiento, a fin de evitar que el material de empaque se incendie y provoque daños por humo o incendio.
- Asegúrese de que su estufa ha sido correctamente ajustada por un técnico de servicio o instalador autorizado para el tipo de gas a ser utilizado (gas natural o gas LP). Su estufa es apta para ser utilizada con cualquiera de los dos tipos de gas. Consulte las instrucciones de instalación.



! ADVERTENCIA

Estos ajustes deben ser efectuados por un técnico de servicio autorizado de conformidad con las instrucciones del fabricante y con todos los códigos y requisitos de la autoridad competente. No seguir estas instrucciones podría ocasionar serias lesiones o daños al producto. La agencia autorizada que se encargue de realizar estos ajustes asumirá la responsabilidad resultante de los mismos.

- Luego de utilizar el aparato por un tiempo considerable, el piso donde el mismo se encuentra apoyado puede alcanzar altas temperaturas. Debe tener en cuenta que muchos recubrimientos de piso no son aptos para resistir este nivel de calor.
- **NUNCA** instale la estufa sobre pisos de vinilo o linóleo, ya que éstos no son resistentes a su nivel de calor. Nunca instale el aparato directamente sobre alfombras de cocina.

! PRECAUCIÓN

Los artículos de interés para los niños no deben ubicarse en armarios que se encuentren encima de la estufa ni en la pared sobre la que se encuentra la misma. Si un niño se trepa a la estufa para alcanzar los objetos de su interés podría resultar seriamente herido.

- **NO** deje a los niños solos o sin supervisión cuando la estufa esté caliente o en funcionamiento. Podrían sufrir serias quemaduras.
- **NO** permita que nadie se trepe, pare o cuelgue de la puerta del horno, cajón calentador o cocina. Esto podría dañar la estufa y aún volcarla hacia adelante, causando lesiones personales severas.
- Utilice guantes al momento de limpiar su estufa para evitar lesiones o quemaduras.

ADVERTENCIA

- Este producto contiene químicos conocidos por el Estado de California de causar cáncer. **Lávese las manos después de manipular.**

ADVERTENCIA

- **NUNCA** utilice el artefacto para calentar o aclimatar la habitación. Hacerlo podría causar la intoxicación por monóxido de carbono y el sobrecalentamiento del horno.
- **NUNCA** use ropa suelta o prendas colgantes mientras utiliza el artefacto. Tenga cuidado cuando deba alcanzar objetos que se encuentren ubicados en alacenas encima de la estufa. Materiales inflamables podrían incendiarse si entran en contacto con alguna llama o con las superficies calientes del horno, pudiendo causar quemaduras severas.
- **NO** coloque materiales inflamables dentro del horno o cerca de la estufa.
- **NO** coloque ni utilice materiales combustibles, como ser gasolina u otros vapores y líquidos inflamables, en las inmediaciones de este o cualquier otro aparato.
- **NO** permita cocinar grasas u otros materiales inflamables en o cerca de la estufa.
- **NO** use agua en caso de incendio producido por grasas. Nunca intente tocar una sartén en llamas. Apague todos los controles. Extinga las llamas de la sartén en la hornalla de la superficie cubriendo completamente la sartén con una tapa, bandeja para hornear o una bandeja chata. Utilice un químico seco multiuso o un extinguidor de incendio tipo espuma.
- Se puede extinguir un incendio producido por grasas cubriéndolo con bicarbonato, o utilizando un químico seco multiuso o extinguidor de incendio tipo espuma.
- Si hay llamas en el horno superior o en el horno inferior, éstas pueden apagarse completamente cerrando la tapa del horno y girando la perilla a la posición de apagado, o bien utilizando un químico seco multiuso o extinguidor de incendios tipo espuma.
- **NO** utilice el horno o el cajón calentador como lugar de almacenamiento.
- Espere a que las rejillas, hornallas y otras superficies se enfrien antes de tocarlas.
- **NUNCA** obstruya las ventilaciones (orificios de aire) de la estufa. Éstas permiten la entrada y salida de aire necesarias para que la estufa funcione apropiadamente, con la combustión correcta. Las aperturas de aire están ubicadas en la parte trasera de la estufa, en la parte superior y en la parte inferior de la puerta del horno, y en la parte inferior de la estufa.
- **NUNCA** cubra ninguna ranura, orificio o conducto ubicado al pie del horno. Tampoco cubra ningún estante con materiales tales como papel de aluminio. Hacerlo obstruiría la salida de aire a través del horno, lo que podría ocasionar la intoxicación por monóxido de carbono. Los revestimientos en papel de aluminio también pueden retener el calor, ocasionando un peligro de incendio.
- **NUNCA** bloquee la ventilación del horno o las tomas de entrada de aire, porque obstruiría de esta forma el flujo de combustión y la ventilación de aire. Esto limitaría la circulación de aire a la hornalla y podría provocar la intoxicación por monóxido de carbono.
- Los fuertes rayones o impactos en las puertas de vidrio pueden ocasionar que el vidrio se rompa o se quiebre.
- Si pisa, se apoya o se sienta en las puertas o cajones calentadores de la estufa, podrá resultar seriamente herido y podrá también dañar el artefacto. No permita que los niños se trepen o jueguen alrededor de la estufa. El peso de un niño sobre una puerta abierta del aparato puede provocar que el mismo se vuelque hacia adelante, provocándole serias quemaduras u otras heridas.
- Las fugas de gas en el aparato pueden generar una grave situación. Las fugas de gas pueden no ser detectadas sólo por el olor. Los proveedores de gas recomiendan comprar e instalar un detector de gas aprobado por UL. Instale y utilice el detector de gas de acuerdo a las instrucciones de su fabricante.
- El control de fugas de gas del aparato debe ser realizado de conformidad con las instrucciones del fabricante.
- **NO** utilice limpiadores comerciales de horno en los acabados del horno ni alrededor de ninguna parte del horno. Estos limpiadores dañan el acabado de las piezas del horno.
- Para prevenir manchas o decoloraciones, limpie el aparato luego de cada uso.
- **NO** intente abrir o cerrar la puerta del horno, ni poner en funcionamiento el mismo, hasta que la puerta haya sido correctamente instalada.
- **NUNCA** coloque sus dedos entre la bisagra y el marco frontal del horno. Los brazos de las bisagras son a resorte. Si los golpea por accidente, la bisagra se cerrará de golpe contra el marco del horno y podría lastimarle los dedos.

PRECAUCIÓN

- **NO** utilice el horno para almacenar comida ni baterías de cocina.
- Para evitar dañar la puerta del horno, no intente abrirla cuando la señal **Lock** está encendida.
- **NO** apoye peso excesivo ni se pare sobre una puerta abierta. Esto podría provocar que la estufa se vuelque hacia adelante, que la puerta se rompa o que el usuario resulte herido.
- **NO** utilice la opción de horneado retardado para comidas altamente perecederas, tales como productos diarios, carne de cerdo, aves, o mariscos.

ADVERTENCIA

- Desconecte el suministro eléctrico antes de realizar cualquier mantenimiento o revisión al aparato.
- **NUNCA** use la puerta del artefacto como escalerilla o asiento, ya que esto puede causar que el aparato se vuelque hacia adelante, provocándole serias heridas.
- Este producto no debe ser instalado debajo de sistemas de ventilación tipo campana que direccionen el aire hacia abajo. Esto podría causar problemas de combustión en las hornallas a gas e incluso incendios, ocasionando lesiones personales y afectando el rendimiento funcional de la unidad.

HORNALLAS DE LA SUPERFICIE

ADVERTENCIA

- Aunque la llama de la hornalla se apague, el gas continúa saliendo hasta que la perilla se gire a la posición "OFF" (APAGADO). Si huele gas, abra una ventana de inmediato y ventile el lugar por cinco minutos antes de utilizar la hornalla. No desatienda las hornallas cuando éstas se encuentren en posición "ON" (ENCENDIDO).
- **Utilice tamaños apropiados de cacerolas - NO** utilice cacerolas inestables o que puedan volcarse fácilmente. Seleccione ba-terías con fondos planos lo suficientemente amplias para cubrir las parrillas de las hornallas. Para evitar derrames, asegúrese de que las baterías sean lo suficientemente amplias para contener la comida adecuadamente. Esto ahorrará tiempo de lim-pieza como así también evitará acumulaciones peligrosas de comida, ya que la comida salpicada o derramada en las parrillas de las hornallas puede incendiarse. Use cacerolas con asas que puedan agarrarse fácilmente y conservarse frías.

PRECAUCIÓN

- Asegúrese de que todos los controles de la superficie estén en la posición "OFF" (APAGADO) antes de abrir la llave de suministro de gas de la estufa.
- **NUNCA** desatienda las hornallas de la superficie cuando estén encendidas con llama alta. Los desbordes pueden provocar humo y derrames de grasa que pueden incendiarse.
- Gire siempre las perillas a la posición "LITE" (ENC) para encender las hornallas superiores y asegúrese de que las éstas se hayan encendido correctamente.
- Verifique que el tamaño de la llama que sale de la hornalla no exceda los bordes de la batería. La llama excesiva es peligrosa.
- Utilice únicamente agarraderas secas - las agarraderas húmedas o mojadas en superficies calientes pueden provocar quemaduras por el vapor. Asegúrese de que las asas de las baterías no estén cerca de las llamas abiertas de la estufa cuando vaya a sacar la batería del fuego. No utilice toallas ni ningún otro producto de tela voluminoso. Utilice siempre agarraderas.
- Si utiliza baterías de vidrio, asegúrese de que las mismas estén diseñadas para cocinar sobre la estufa.
- A fin de prevenir quemaduras por el fuego ocasionado por materiales inflamables o por derrames, gire las asas de las baterías hacia un costado o hacia la parte trasera de la estufa; no las ponga sobre las hornallas adyacentes.
- **NUNCA** deje ningún elemento sobre la estufa. El aire caliente proveniente del conducto de ventilación puede encender los elementos inflamables y aumentar la presión en contenedores cerrados, lo que puede provocar que éstos estallen.
- Vigile cuidadosamente la comida que se está friendo a fuego alto.
- Caliente grasas siempre a fuego lento, y vigílelas mientras se calientan.
- Si va a freír combinaciones de aceites y grasas, revuelva bien la mezcla antes de comenzar a calentarla.
- De ser posible, utilice un termómetro profundo para grasas para prevenir el sobrecalentamiento de la grasa por encima del punto de vaporización.
- Use la mínima cantidad posible de grasa para freír. Llenar la sartén con demasiada grasa puede provocar derrames cuando se agrega la comida.
- **NO** cocine los alimentos directamente sobre llama abierta en las hornallas de la superficie.
- **NO** utilice un wok sobre las hornallas de la superficie si éste tiene un anillo de metal redondo que deba ser colocado sobre la parrilla de la hornalla para soportar el wok. Este anillo actúa como un concentrador de calor que puede dañar la parrilla de la hornalla y/ el cabezal de la hornalla. También puede provocar el mal funcionamiento de la hornalla. Asimismo, puede provocar niveles de monóxido de carbono superiores a los permitidos por las normativas vigentes, resultando en un peligro para la salud.
- Las comidas a freír deben estar lo más secas posibles. La humedad o escarcha en la comida puede provocar que la grasa caliente bulla y se desborde de la sartén.
- **NUNCA** intente mover una sartén con grasa caliente, especialmente una freidora. Espere hasta que la grasa se enfríe.
- **NO** coloque elementos plásticos sobre la estufa - éstos se pueden derretir si se dejan demasiado cerca del conducto de ventilación.
- Mantenga todos los plásticos alejados de las hornallas de la superficie.
- A fin de evitar quemaduras, asegúrese siempre de que las perillas de las hornallas estén en posición "OFF" (APAGADO) y de que las parrilla estén frías antes de intentar tocarlas.
- Si huele gas, cierre la llave de gas de la cocina y llame a un técnico de servicio autorizado. Nunca use una llama abierta para localizar una fuga de gas.
- Gire siempre las perillas a la posición de "OFF" (APAGADO) antes de sacar cualquier batería del fuego.
- **NO** intente levantar la estufa. Hacerlo podría dañar la cocina y provocar el mal funcionamiento de la estufa.
- Si la estufa se encuentra ubicada cerca de una ventana, no cuelgue cortinas largas porque podrían volar sobre las hornallas de la estufa y prenderse fuego.

ASADOR (Para el modelo LDG3037ST solamente)

Siempre use una cacerola de asado y una parrilla para drenar el exceso de grasa y cebo, esto ayudará a reducir salpicaduras, humo y llamaradas. El encendedor del asador cerámico infrarrojo que se encuentra localizado en la parte superior del interior del horno brillará anaranjado periódicamente durante la operación normal del asador.

ADVERTENCIA

Cuando use el asador, la temperatura dentro del horno será muy alta. Tome precaución para evitar posibles quemaduras mediante las siguientes prácticas:

- Mantenga la puerta cerrada (Refiérase a la sección Asado del manual).
- Siempre use guantes para hornear cuando inserte o retire los alimentos.

PRECAUCIÓN

El asador cerámico infrarrojo generará un calor intenso que dorará la comida más rápido que un asador regular de tipo tubo. Utilice el sistema de asado solamente bajo las condiciones para el cual fue diseñado para el consumidor.

No intente rociar el asador y el encendedor del asador con ningún tipo de limpiador ni tallarlo. Esto último dañará el sistema de asado.

Las placas cerámicas del asador no necesitan ser limpiadas manualmente. Cualquier residuo de grasa o salpicadura en la placa cerámica provocada por el cocinado u horneado, se quemará y por lo tanto se limpiará tan solo encendiendo el asador por aproximadamente 10 minutos.

COCINE COMPLETAMENTE LA CARNE Y EL POLLO

Para prevenir cualquier enfermedad transmitida por los alimentos, cocine completamente la carne y el pollo. La carne debe cocinarse a una temperatura INTERNA DE 160°F (71°C) como mínimo, y el pollo debe cocinarse a una temperatura INTERNA mínima de 180°F (82°C).

AUTOLIMPIEZA DEL HORNO

Asegúrese de quitar los derrames en exceso antes de iniciar la función de auto limpieza.

PRECAUCIÓN

- **NO** deje comida, utensilios de cocina, estantes, etcétera, dentro del horno durante el ciclo de auto limpieza.
- **NO** utilice limpiadores de horno. No debe utilizarse ningún limpiador comercial de horno ni revestimiento de protección de horno de ningún tipo dentro ni alrededor de ninguna parte del horno. Los residuos producidos por los limpiadores de horno dañan la parte interior del horno cuando se está utilizando el ciclo de auto limpieza.
- Extraiga los estantes del horno y cualquier otro elemento de los hornos superior e inferior antes de iniciar el ciclo de auto limpieza.
- Sólo limpie las piezas enumeradas en este manual.
- **NO** limpie la junta de la puerta. La junta de la puerta resulta necesaria para lograr un buen sellado. Tenga cuidado de no frotar, dañar o mover la junta.
- Si el modo de auto limpieza funciona mal, apague la estufa y desconecte el suministro de energía. Haga revisar el aparato por un técnico de servicio autorizado.
- Es normal que las piezas del horno se calienten durante el ciclo de auto limpieza.
- Evite tocar la puerta, ventana o área de ventilación del horno durante el ciclo de limpieza.

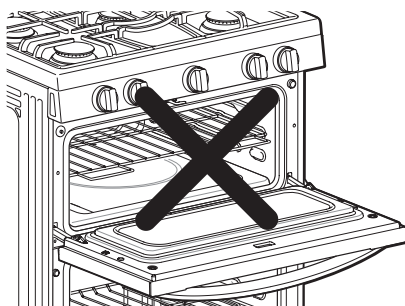
HORNO

Cuando abra la puerta de un horno caliente, aléjese lo más posible del aparato. El aire caliente y el vapor que salen del aparato podrían provocar quemaduras en sus manos, cara y/u ojos.

! ADVERTENCIA

NUNCA obstruya ninguna ranura, orificio o conducto ubicado en la parte inferior del horno. Tampoco cubra ningún estante con materiales tales como papel de aluminio. Hacerlo obstruiría la circulación de aire a través del horno y podría ocasionar la intoxicación por monóxido de carbono. Los revestimientos en papel de aluminio también pueden retener el calor, provocando un peligro de incendio.

- **NO** caliente comida en empaques cerrados. La presión generada dentro del empaque puede aumentar y reventar, ocasionando lesiones.
- **NO** use papel de aluminio en cualquier parte del horno, salvo en las partes que se indican en el presente manual. Hacerlo podría ocasionar un peligro de incendio o bien dañar la estufa.
- **NO** utilice el horno como lugar de almacenamiento. Los elementos almacenados en el horno pueden prenderse fuego.
- Mantenga el horno libre de acumulación de grasas.
- Coloque los estantes del horno en la posición deseada cuando el horno esté frío.
- A fin de prevenir quemaduras al sacar la comida del horno, deslice los estantes hacia afuera hasta que hagan tope. Luego, extraiga la comida. Esto también puede ayudarle a evitar quemarse por tocar las superficies calientes de la puerta o las paredes del horno.
- Utilice siempre guantes de cocina cada vez que ponga o saque una bandeja/rejilla del horno.
- Siga las instrucciones del fabricante al utilizar bolsas para asar o para cocinar en el horno.
- Utilice baterías de vidrio solamente cuando éstas sean aptas para ser utilizadas en hornos a gas.
- Extraiga siempre la asadera de la estufa luego de que termine de asar. La grasa que se deja en la asadera puede prenderse fuego si se utiliza el horno sin haberla extraído.
- Si la carne está demasiado cerca de la llama cuando se está asando, la grasa puede incendiarse. Reduzca el exceso de grasa para evitar destellos/fuego excesivo.
- Asegúrese de que la asadera está ubicada correctamente en su lugar para minimizar la posibilidad de incendios provocados por grasas.
- En caso de que haya fuego en la asadera provocado por grasas, presione la tecla "UPPER CLEAR/OFF" o "LOWER CLEAR/OFF", y mantenga la puerta del horno cerrada para contener el fuego hasta que éste se apague.
- Por razones de seguridad y para lograr un óptimo rendimiento en la cocción, siempre hornee y ase sus comidas con la puerta del horno cerrada.
Hornear o asar la comida con la puerta abierta puede dañar las perillas o las válvulas del aparato.
NO deje la puerta del horno abierta mientras esté cocinando o enfriando el horno.



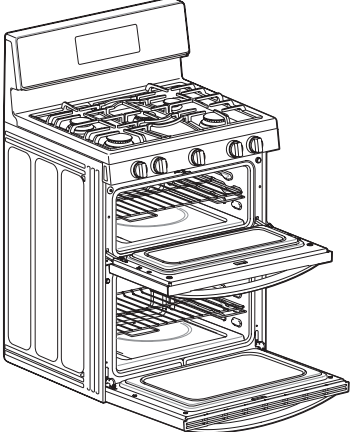
LEA TODAS LAS INSTRUCCIONES ANTES DE UTILIZAR EL APARATO.

CONSERVE ESTAS INSTRUCCIONES


ANTES DE USAR

Accesorios


Asegúrese de que todas las piezas estén incluidas antes de comprar el producto.




Estufa a gas de doble horno




Estantes
(2 de cada uno)



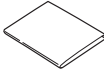
Estante de compensación
(1 de cada uno)



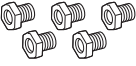
Parrilla
(Modelo LDG3036ST
/ LDG3036BD /
LDG3037ST solamente)




Manual del propietario



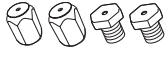
Manual de instalación



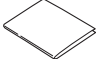
Espreas superiores
(5 de cada uno)
(LDG3031ST
4 de cada uno)



Boquillas del
horno
(3 de cada uno)

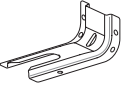


Boquillas del horno
(4 de cada uno)
(LDG3037ST solamente)




Guía de
instalación

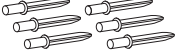
Equipo de conversión para boquilla LP



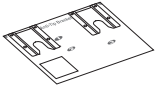
Ménsula
anti-vuelco



Tornillos
(6 de cada uno)




Anclajes
(6 de cada uno)

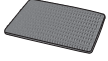


Plantilla

Equipo anti-vuelco

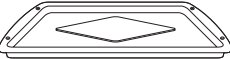


Botella con Atomizador
(1 de cada uno)

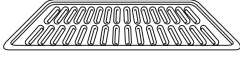


Estropajo tipo
Almohadilla (1 de cada uno)

Se vende por separado



Asadera



Rejilla

! NOTA

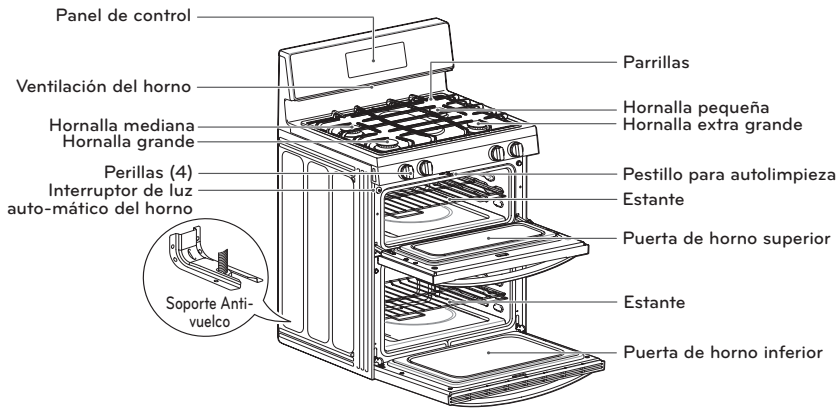
- Comuníquese con el Centro de Atención al Cliente de LG en caso de que falte algún accesorio.
- Por su seguridad y para lograr una óptima durabilidad del producto, utilice únicamente componentes autorizados.
- El fabricante no será responsable por el mal funcionamiento del producto o por accidentes causados por el uso de componentes o piezas no autorizadas, compradas por separado.
- Las imágenes incluidas en esta guía pueden diferir de los componentes y accesorios reales, y pueden ser sujetas a modificaciones por parte del fabricante a los fines de mejora del producto sin necesidad de previo aviso.

Componentes

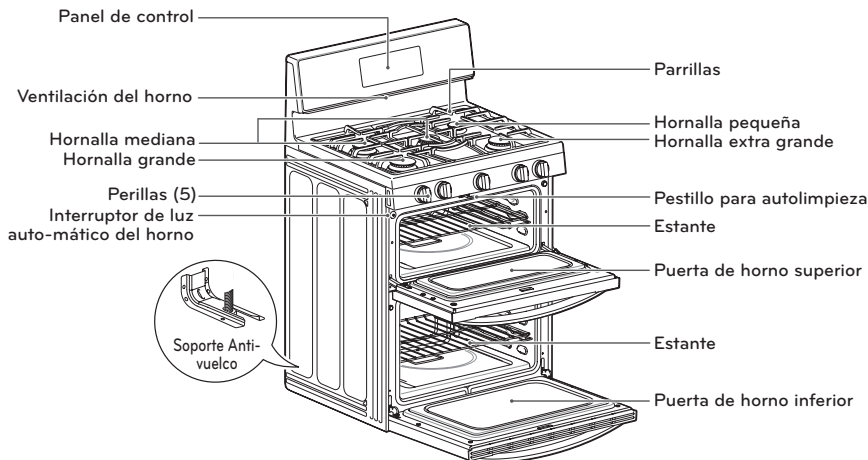
Asegúrese de entender los nombres y función de cada pieza.

* A lo largo de este manual, las características y apariencia del producto pueden variar dependiendo de su modelo.

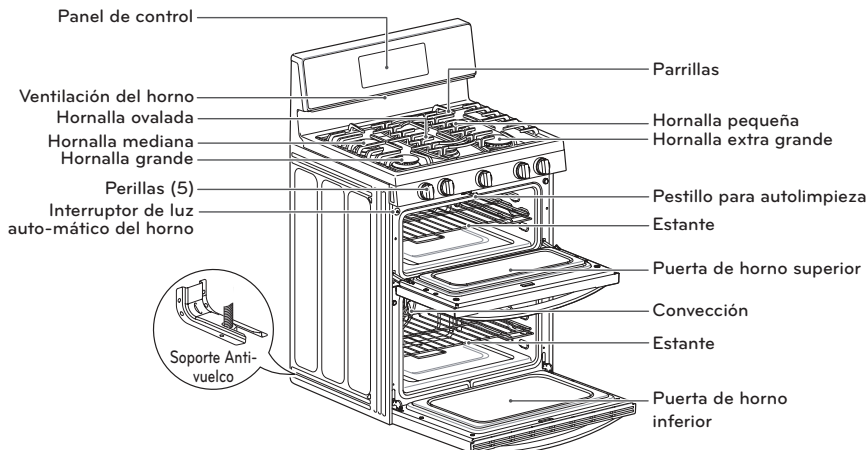
Para el modelo LDG3031ST



Para el modelo LDG3035S



Para el modelo LDG3036ST / LDG3036BD / LDG3037ST



! NOTA

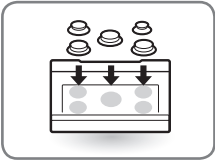
El modelo y la etiqueta seriada están localizados detrás del panel de control.

CÓMO USAR

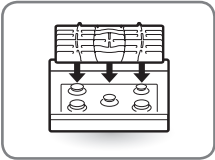
Hornallas a gas de la superficie

Antes de usar

Lea todas las instrucciones antes de usar el producto.



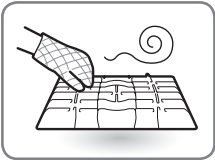
Asegúrese de que todas las hornallas estén correctamente colocadas.



Asegúrese de que todas las parrillas estén correctamente ubicadas antes de encender las hornallas.

PRECAUCIÓN

NO encienda la hornallas por un largo período de tiempo sin que haya ninguna batería sobre la rejilla. El acabado de la parrillas puede saltarse si no hay ninguna batería que absorba el calor.



Asegúrese de que las hornallas y parrillas se hayan enfriado antes de apoyar su mano, agarradera, repasador u otro material sobre las mismas.

Tocar las parrillas antes de que se hayan enfriado puede provocar quemaduras.

PRECAUCIÓN

QUÉ HACER SI HUELE GAS

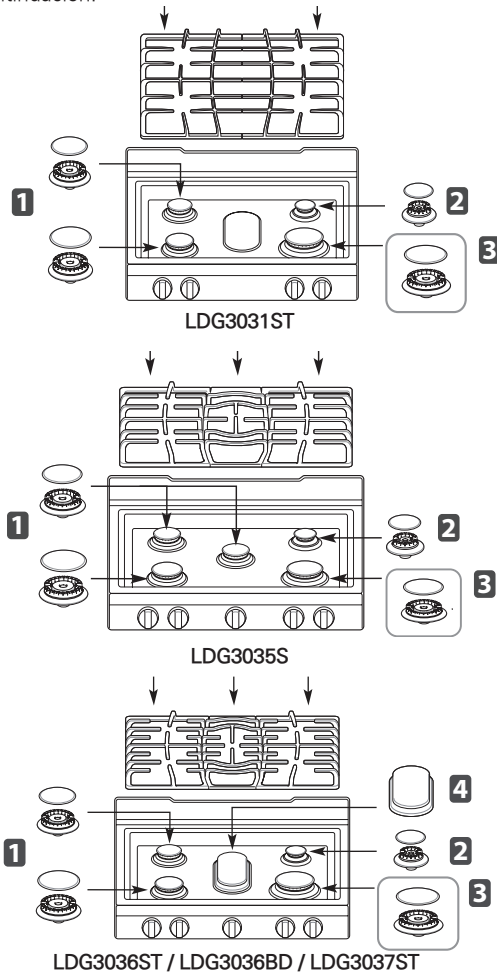
1. Abra las ventanas.
2. **NO** intente encender ningún aparato.
3. **NO** toque ningún interruptor eléctrico.
4. **NO** use ningún teléfono dentro de su edificio.
5. Comuníquese de inmediato con su proveedor de gas desde el teléfono de un vecino. Siga las instrucciones del proveedor de gas.
6. Si no puede comunicarse con su proveedor de gas, contacte al departamento de bomberos.

NOTA

El encendido de chispa electrónica de los quemadores causa un sonido de tipo clic. Todos los encendidos de chispa en la estufa se activaran al encender un solo quemador.

Hornallas a Gas

La cocina de su estufa tiene cinco(cuatro) hornallas selladas a gas. Estas pueden ser ensambladas y separadas. Siga la guía a continuación.



1 Hornalla mediana y grande

Las hornallas medianas y grandes son las hornallas principalmente utilizadas para la mayoría de comidas. Estas hornallas pueden llevarse de nivel "HI" (ALTO) a "LO" (BAJO) para acomodarse al amplio rango de necesidades culinarias.

2 Hornalla pequeña

La hornalla más pequeña es utilizada para comidas delicadas, como ser salsas o comidas que requieren poco calor por un tiempo prolongado de cocción.

3 Hornalla extra grande

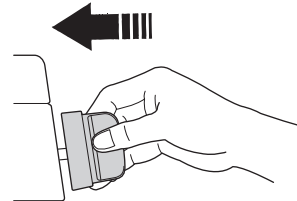
La hornalla extra grande es la hornalla de mayor potencia. Al igual que las otras cuatro hornallas, puede llevarse de nivel "HI" a "LO" para satisfacer el amplio rango de necesidades culinarias. Esta hornalla también está diseñada para hervir rápidamente grandes cantidades de líquido. Puede ser utilizada para baterías de 10 pulgadas de diámetro o más.

4 Hornalla ovalada (LDG3036ST / LDG3036BD / LDG3037ST)

La hornalla ovalada (centro) sirve para usarse con parillas u ollas ovaladas.

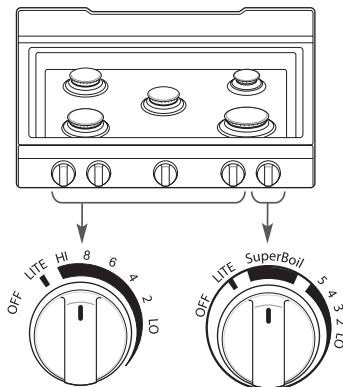
Uso de las hornallas a gas de la superficie

- 1 Asegúrese de que todas las hornallas de la superficie estén ubicadas en la posición correcta.
- 2 Ponga la batería sobre la hornalla. (Por ejemplo: una olla, sartén, etc.).
- 3 Empuje y gire la perilla de control a la posición "LITE".



Escuchará un sonido tipo chasquido proveniente del sistema de encendido de chispa eléctrica.

- 4 Gire la perilla de control para controlar la intensidad de la llama.

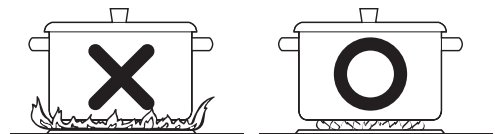


! PRECAUCIÓN

NO intente desensamblar o limpiar alrededor de ninguna hornalla mientras otra hornalla está encendida. Cuando gire una hornalla a la posición "LITE", todas las hornallas chispearán. Puede producirse una descarga eléctrica que puede volcar una batería caliente.

Cómo seleccionar el tamaño de llama

Observe la llama y no la perilla cuando reduzca la intensidad del fuego. Cuando desee un calentamiento rápido, el tamaño de la llama que sale de la hornalla debe coincidir con el de la batería en uso.



! PRECAUCIÓN

NUNCA deje que las llamas se extiendan más allá de los bordes de la batería.

En caso de falla en la energía eléctrica:

En caso de que haya una falla en la energía eléctrica, puede encender las hornallas superiores con un fósforo. Las hornallas superiores que se encuentren en uso al producirse una falla en la energía eléctrica continuarán funcionando con normalidad.

- 1 Acerque un fósforo a la hornalla. Luego, presione la perilla de control.
- 2 Gire la perilla de control a la posición de "Lo".



PRECAUCIÓN

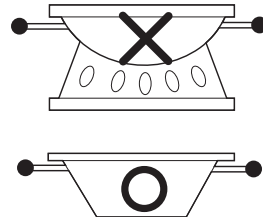
Tenga extrema precaución al encender las hornallas con fósforos. Puede quemarse y lastimarse.

Utensilios ubicados sobre la estufa

Aluminio	Se recomienda el uso de baterías de peso mediano porque se calientan de forma rápida y uniforme. La mayoría de alimentos se doran de manera uniforme en una sartén de aluminio. Utilice cacerolas con tapas de ajuste hermético cuando deba cocinar con pequeñas cantidades de agua.
Hierro fundido	Si se calientan a fuego lento, la mayoría de sartenes darán resultados satisfactorios.
Acero inoxidable	Este metal por sí solo tiene pobres propiedades de calentamiento, por lo que usualmente viene combinado con cobre, aluminio u otros metales para lograr una mejor distribución del calor. Las sartenes de metales combinados dan resultados satisfactorios si se utilizan a fuego medio, como recomienda el fabricante.
Hierro esmaltado	Bajo algunas condiciones, el esmaltado de estas baterías puede derretirse. Siga las recomendaciones del fabricante de la batería respecto a los métodos de cocción.
Vidrio	Existen dos tipos de baterías de vidrio: aquellas aptas sólo para horno, y aquellas para utensilios ubicados sobre la estufa.
Cerámica y vidrio a prueba de calor	Se puede utilizar para cocinar tanto en la superficie como en el horno. Conduce el calor muy lentamente y se enfría muy lentamente. Consulte las instrucciones del fabricante de la batería para asegurarse de que puede utilizarse en estufas a gas.

Uso de sartén:

Si usa un sartén, se recomienda que utilice un sartén de base plana de 14 pulgadas como máximo. Asegúrese de que la base del sartén se asiente firmemente en la rejilla.



Utilice sartenes de base plana.



PRECAUCIÓN

NO use ningún aro de soporte para woks. Colocar el aro sobre la hornalla o parrilla podría causar que la hornalla funcione de manera incorrecta, generando niveles de monóxido de carbono superiores a los permitidos. Esto puede resultar peligroso para su salud.

Uso de gratinadores de cocina:

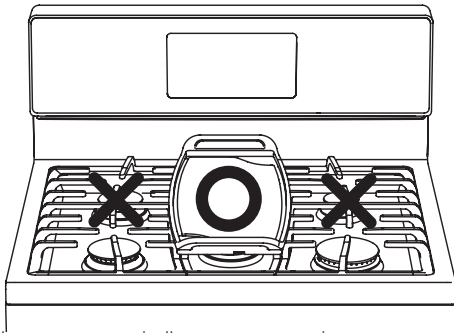
No coloque gratinadores de cocina sobre las hornallas.



PRECAUCIÓN

NO utilice gratinadores de cocina en las hornallas de la superficie. Si utiliza un gratinador de cocina sobre las hornallas de la superficie, ocasionará una combustión incompleta, lo que provocará la exposición a niveles de monóxido de carbono superiores a los permitidos por las normativas vigentes. Esto puede resultar peligroso para su salud.

Uso de la Parrilla (LDG3036ST / LDG3036BD / LDG3037ST)

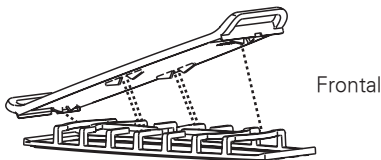


Su rejilla con capa antiadherente proporciona una superficie extra-grande de cocción para carnes, panqueques u otros alimentos que se preparan habitualmente en una sartén normal o plana.

! NOTA

Es normal que la parrilla se descolore con el tiempo.

Cómo colocar la parrilla: La parrilla sólo puede usarse en el quemador central. La parrilla debe ser colocada apropiadamente en la parrilla de la hornalla central, como se muestra en la figura de abajo.



! NOTA

NO retire la rejilla central al usar la parrilla.

! PRECAUCIÓN

NO retire la plancha de la parrilla hasta que las rejillas, superficies de la estufa y la propia parrilla se hayan enfriado por completo.

! PRECAUCIÓN

La plancha de la parrilla puede calentarse mucho al usar la estufa, el horno o los sistemas de asado. Use siempre guantes para horno al colocar o retirar la plancha de la parrilla.

Precalente la parrilla según la siguiente guía y ajuste la potencia que desee.

Tipo de alimento	Condiciones de precalentamiento	Ajuste de cocción
Tortillas calientes	sin precalentar	5 (MED)
Panqueques	HI 3 min.	HI
Hamburguesas	HI 5 min.	HI
Huevos fritos	HI 5 min.	HI
Bacon	HI 3 min.	HI
Salchichas de desayuno	HI 5 min.	HI
Sándwiches calientes	HI 4 min.	HI

! NOTA

La potencia de la parrilla podría precisar ajuste si se usa durante periodos prolongados.

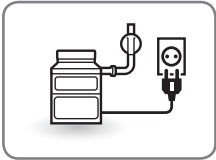
NOTAS IMPORTANTES:

- Evite cocinar alimentos con un excesivo contenido en grasas; podrían producirse derrames de grasa.
- La parrilla puede calentarse al usar los quemadores aledaños.
- **NO** caliente la parrilla en exceso. Hacerlo puede dañar el recubrimiento antideslizante.
- **NO** use utensilios metálicos que podrían dañar la superficie de la parrilla. No use la plancha como tabla de cortar.
- **NO** coloque ni almacene objetos sobre la parrilla.

Cómo usar el Horno

Antes de usar

Lea todas las instrucciones antes de usar.



Asegúrese de que el cable de alimentación eléctrica y la válvula de gas estén correctamente conectados.

Verifíquelo por cuestiones de seguridad.



Verifique cómo utilizar de manera correcta la estufa, dependiendo del tipo de comida a cocinar.

Asegúrese de que sabe cómo utilizar el horno (configuración de temperatura, tiempo de cocción y receta) para lograr los mejores resultados.



PRECAUCIÓN

QUÉ HACER SI HUELE GAS

1. Abra las ventanas.
2. **NO** intente encender ningún artefacto.
3. **NO** toque ningún interruptor eléctrico.
4. **NO** use ningún teléfono dentro de su edificio.
5. Comuníquese de inmediato con su proveedor de gas desde el teléfono de un vecino. Siga las instrucciones del proveedor de gas.
6. Si no puede comunicarse con su proveedor de gas, contacte al departamento de bomberos.



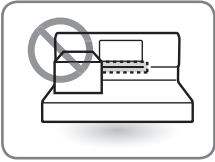
Elija el horno superior o el horno inferior para una cocción adecuada.

Use el horno superior para cocinar pequeñas cantidades de comida.



NOTA

Cuando se utiliza un termómetro de horno en la cavidad del horno, temperaturas pueden diferir de la temperatura real del horno en cualquier modo.

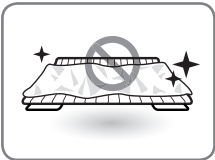


No obstruya, toque o coloque objetos alrededor del conducto de ventilación del horno cuando el mismo esté encendido.

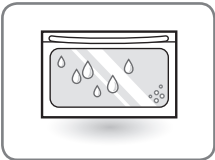
Su horno es ventilado a través de conductos ubicados en el centro, encima de la parrilla de la hornalla. No obstruya la ventilación del horno cuando éste se encuentre en funcionamiento; de lo contrario, no permitirá la circulación correcta de aire. No toque las aperturas de ventilación o las superficies de alrededor durante su uso.

⚠ PRECAUCIÓN

- **NO** coloque elementos plásticos o inflamables sobre la cocina; estos pueden derretirse o prenderse fuego si se dejan muy cerca de la ventilación.
- **NO** coloque empaques cerrados sobre la cocina. Puede hacer aumentar la presión de los empaques cerrados y provocar que revienten.
- Los objetos de metal que se dejen sobre la cocina se pondrán muy calientes, pudiendo provocar quemaduras.
- Las asas de las ollas y cacerolas que se encuentren en la cocina pueden sobrecalentarse si se dejan demasiado cerca del conducto de ventilación.

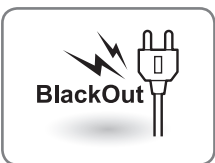


No cubra ningún estante o base con papel aluminio.



A medida que su horno se caliente, el aumento de temperatura del aire producido dentro del horno puede generar que se produzcan gotas de agua en la puerta de vidrio del horno.

Estas gotas de agua no son peligrosas y se evaporarán a medida que el horno continúe con el proceso de calentamiento.



En caso de falla en la energía eléctrica, no utilice el horno.

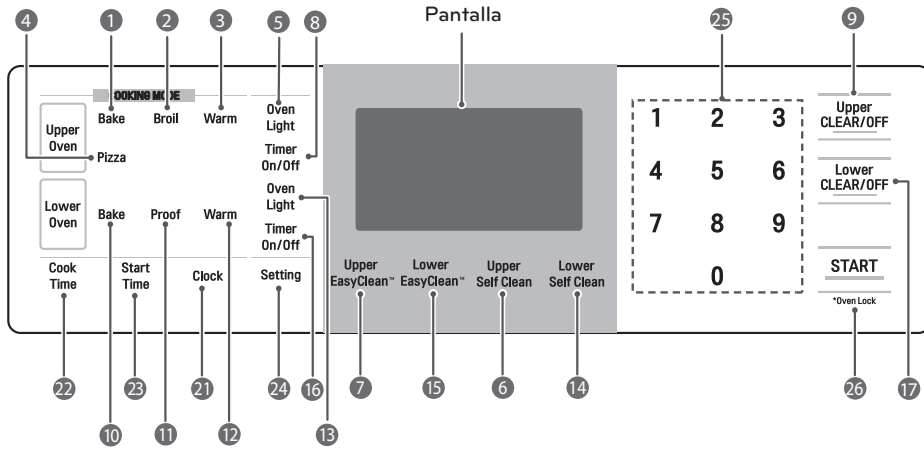
El horno y la asadera no pueden utilizarse durante un corte de energía. Si el horno se encuentra en uso al producirse el corte de energía, el quemador del horno se apagará y no podrá ser re-encendido hasta que se restablezca la energía. Una vez que vuelva la energía eléctrica, deberá reiniciar el horno (o la función de asa).

⚠ PRECAUCIÓN

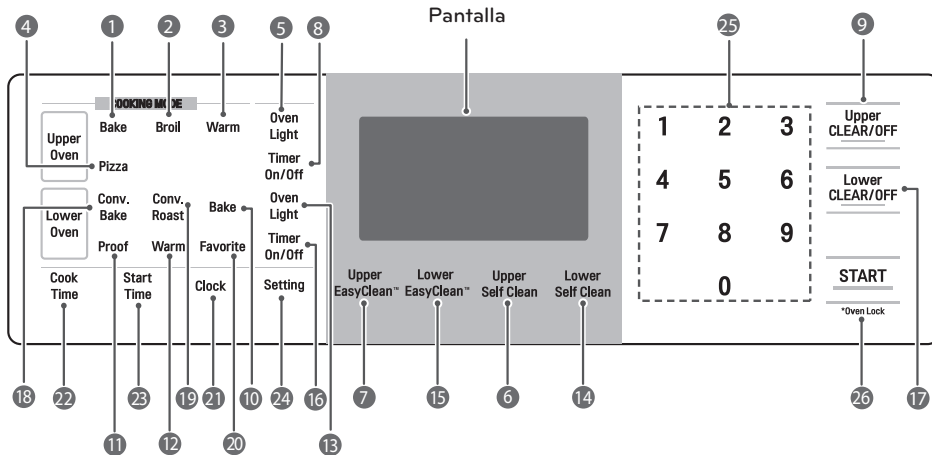
NO intente utilizar el encendido eléctrico durante una falla de energía eléctrica.

Cómo usar el panel de control

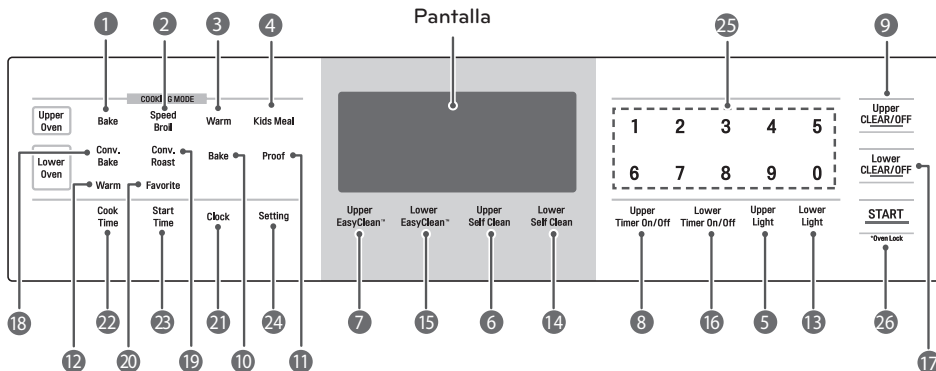
Para el modelo LDG3031S / LDG3035S



Para el modelo LDG3036ST / LDG3036BD



Para el modelo LDG3037ST



Cómo usar el panel de control

Horno superior:

Nombre	Descripción
1 Bake	Función tradicional de hornear. Consulte "Hornear" en la sección "Cómo usar".
2 Broil (Para el modelo LDG3031ST, 3035SB, 3035SW, 3036ST, 3036BD solamente)	Función tradicional de asar. Consulte "Asar" en la sección "Cómo usar".
2 Speed Broil (Para el modelo LDG3037ST solamente)	Función Infrarrojo de asar. Consulte "Asado Rápido" en la sección "Cómo usar".
3 Warm	Calienta la comida en el horno. Consulte "Calentar" en la sección "Cómo usar".
4 Pizza (Para el modelo LDG3031ST, 3035SB, 3035SW, 3036ST, 3036BD solamente)	Cocina pizza. Consulte "Pizza" en la sección "Cómo usar".
4 Kids Meal (Para el modelo LDG3037ST solamente)	Úsese para cocinar alimentos para niños como pizza congelada y nuggets de pollo. Vea la sección [Menu para Niños] en la sección "Cómo usar".
5 Upper Oven Light	Enciende/ apaga la luz del horno superior.
6 Upper Self Clean	Limpia el interior del horno superior automáticamente. Consulte "Auto Limpieza" en la sección "Cómo usar".
7 Upper EasyClean™	Limpia la suciedad liviana del horno superior automáticamente. Consulte "Limpieza Fácil" en la sección "Cuidado y limpieza".
8 Upper Timer On/Off	Configura, inicia o cancela la función del temporizador del horno superior. Consulte "Cómo usar el temporizador" en la sección "Instrucciones de funcionamiento".
9 Upper CLEAR/OFF	Deja de cocinar o cancela los ajustes realizados en el horno superior.

Horno inferior:

Nombre	Descripción
10 Bake	Función tradicional de hornear. Consulte "Hornear" en la sección "Instrucciones de funcionamiento".
11 Proof	Función para levar piezas/ una pieza de pan. Consulte "Levar" en la sección "Instrucciones de funcionamiento".
12 Warm	Calienta la comida en el horno. Consulte la función "Calentar" en la sección "Instrucciones de funcionamiento".
13 Lower Oven Light	Enciende/ apaga la luz del horno inferior.
14 Lower Self Clean	Limpia el interior del horno inferior automáticamente.
15 Lower EasyClean™	Limpia la suciedad ligera del horno inferior automáticamente. Consulte "Limpieza Fácil" en la sección "Cuidado y limpieza".
16 Lower Timer On/Off	Configura, inicia o cancel la función de temporizador del horno inferior. Consulte "Cómo usar el temporizador" en la sección "Instrucciones de funcionamiento".
17 Lower CLEAR/OFF	Deja de cocinar o cancela los ajustes realizados en el horno inferior.
18 Conv.Bake (Solamente el modelo LDG3036ST / LDG3036BD / LDG3037ST)	Use esta opción para activar la función de horneado por convección. Refiérase a "Convección Horneado" en la sección "Instrucciones de funcionamiento".
19 Conv.Roast (Solamente el modelo LDG3036ST / LDG3036BD / LDG3037ST)	Use esta opción para activar la función de asado por convección. Refiérase a "Convección Asado" en la sección "Instrucciones de funcionamiento".
20 Favorite (Solamente el modelo LDG3036ST / LDG3036BD / LDG3037ST)	Use esta opción para almacenar tres tipos favoritos de configuraciones del horno. Refiérase a "Favoritos" en la sección "Instrucciones de funcionamiento".

Funciones comunes

Nombre	Descripción
21 Clock	Configura la hora del día. Consulte "Cómo configurar el reloj" en la sección "Instrucciones de funcionamiento".
22 Cook Time	Configura el tiempo de cocción. El horno se apaga automáticamente cuando alcanza el tiempo de cocción establecido.
23 Start Time	Configura la hora de inicio de cocción. El horno se encenderá automáticamente a la hora de inicio fijada.
24 Setting	Configura funciones varias.
25 NUMBER KEY	Teclas numéricas que se utilizan para configurar la hora, el temporizador, la temperatura y tiempos de cocción.
26 START (Oven Lock)	Inicia todas las funciones a excepción del temporizador. Para activar Oven Lock (Bloquear horno), presiónela y manténgala presionada por tres segundos.

Instrucciones de Funcionamiento

El valor de ajuste puede ser cambiado mediante la tecla **"Setting"**. Los ajustes varían dependiendo de cada modelo. Refiérase a la "Tabla de ajustes".

TABLA DE AJUSTES

Instrucción de operación	LDG3031ST/ LDG3035S	LDG3036ST/ LDG3036BD	LDG3037ST
Auto conversión de convección	-	Una vez	Una vez
Ajuste de temperatura (Horno inferior)	Una vez	Dos veces	Dos veces
Ajuste de temperatura (Horno superior)	Dos veces	Tres veces	Tres veces
Idioma	-	-	Cuatro veces
Luz intermitente de la alarma de precalentado	Tres veces	Cuatro veces	Cinco veces
Volumen de la alarma	Cuatro veces	Cinco veces	Seis veces
Grados Fahrenheit Celsius	Cinco veces	Seis veces	Siete veces

Como fijar la función de auto conversión de convección del horno inferior (LDG3036ST / LDG3036BD / LDG3037ST)

Cuando use el horneado o el asado por convección, la característica de funcionamiento de auto conversión, convertirá automáticamente las temperaturas regulares a temperaturas de convección. Esta característica de funcionamiento es activada para que la pantalla muestre la temperatura actual auto convertida. Por ejemplo, si se introduce una temperatura regular de alguna receta de 350°F y se presiona el botón **START**, la pantalla mostrará la temperatura convertida de 325°F.

- 1 Presione la tecla **Setting**, "On Auto" aparecerá en la pantalla.
- 2 Presione la tecla numérica **1** para seleccionar auto conversión On/Off (encender/ apagar).
(Para el modelo LDG3037ST: Presione la tecla numérico **1**: encender, **2**: apagar)
- 3 Presione el botón **START** para aceptar el cambio.

Cómo configurar los ajustes de temperatura:

Es posible que su nuevo horno cocine de manera diferente a su horno anterior. Utilice el nuevo horno durante algunas semanas para familiarizarse con el mismo antes de modificar cualquier ajuste de temperatura. Una vez que se haya familiarizado con el nuevo horno, si aún considera que éste está demasiado caliente o demasiado frío, puede ajustar usted mismo su termostato.



PRECAUCIÓN

NO use termómetros, como aquellos que se venden en almacenes, para verificar el ajuste de temperatura del horno. Estos termómetros pueden variar entre 20 y 40 grados.

- 1 Determine qué horno desea ajustar (el horno superior o el horno inferior).
- 2 Presione la tecla **Setting** una vez para configurar el horno inferior. Hasta que aparezca **L-RJ** en la pantalla.
Presione la tecla **Setting** dos veces para configurar el horno superior. Hasta que aparezca **U-RJ** en la pantalla.
- 3 Con la teclas numéricas, ingrese la cantidad de grados en los que desea ajustar el horno. Para bajar la temperatura, presione la tecla **Setting** luego de ingresar los números.
Por ejemplo:
Para ajustar la temperatura del horno en 15 grados **más**, presione **1, 5**.
Para ajustar la temperatura del horno en 15 grados **menos**, presione **1, 5, Setting**
- 4 Presione la tecla **START** para aceptar el cambio.

! NOTA

Este ajuste no afectará las temperaturas de las funciones de Asar ni de Auto-limpieza. El ajuste será conservado en la memoria del horno en caso de producirse una falla en la energía eléctrica. La temperatura del horno puede ser aumentada (+) o disminuida (-) en hasta 35°F o 19°C, respectivamente.

Cómo seleccionar el idioma (LDG3037ST solamente)

El idioma predeterminado de la pantalla del horno es el Inglés. Este puede ser cambiado a español o francés.

- 1 Pulse la tecla **Setting** hasta que aparezca **L n 9** (Language) en la pantalla.
- 2 Presione la tecla numérica para seleccionar el idioma.

Idioma	Inglés	Español	Francés
Tecla numérica	1	2	3

- 3 Presione la tecla **START** para aceptar el cambio.

Cómo configurar el encendido/ apagado de la luz de alarma de precalentamiento:

Cuando el horno alcance la temperatura fijada, la luz de precalentamiento se encenderá hasta que la puerta del horno se abra. Usted podrá activar o desactivar la luz de alarma de precalentamiento de la siguiente manera:

- 1 Presione la tecla **Setting** hasta que aparezca **P-R E** en la pantalla.
- 2 Presione la tecla numérica **1** para seleccionar On/Off (encender/ apagar).
(Para el modelo LDG3037ST: Presione la tecla numérico **1**: encender, **2**: apagar)
- 3 Presione la tecla **START** para aceptar el cambio.

Cómo encender/apagar la luz interior del horno:

La luz interior del horno se prende automáticamente cada vez que se abre la puerta del horno.

Presione la tecla **Oven Light** para encender y apagar las luces del horno.

Presione la tecla **Upper Light** o **Lower Light** para encender y apagar las luces del horno. (Para el modelo LDG3037ST solamente)

Cómo ajustar el volumen del biper:

- 1 Presione la tecla **Setting** hasta que aparezca **BEEP** en la pantalla.
- 2 Presione la tecla numérica **1** de manera continua para desplazarse por las opciones de volumen: **L a, H i, OFF** (bajo, alto, apagado).
(Para el modelo LDG3037ST: Presione la tecla numérica **1** key para alto, **2** para normal, **3** para bajo y **4** para desactivar el sonido).
- 3 Presione la tecla **START** para aceptar el cambio.

Cómo seleccionar Grados Fahrenheit o Celsius:

Las temperatura del horno puede configurarse en grados Fahrenheit o Celsius. El ajuste predeterminado de fábrica es en grados Fahrenheit. Éste puede ser cambiado por el usuario.

- 1 Presione la tecla **Setting** hasta que aparezca "F" o "C" en la pantalla.
- 2 Presione la tecla numérica **1** para seleccionar Fahrenheit o Celsius.
(Para el Modelo LDG3037ST: Presione la tecla numérica **1** key para Fahrenheit, **2** para Celsius)
- 3 Presione la tecla **START** para aceptar el cambio.

Cómo ajustar el reloj (12 ó 24 horas):

- 1 Mantenga presionado el botón **Clock** por tres segundos.
- 2 Presione la tecla numérica **1** para seleccionar 12 ó 24 horas.
(Para el modelo LDG3037ST: Presione la tecla numérica **1** key para 12 horas, **2** para 24 horas)
- 3 Presione el botón **START**.

NOTA

- La hora del día no puede ser modificada cuando el ciclo de auto limpieza o de horneado por temporizador estén en funcionamiento.
- Para verificar la hora del día cuando la pantalla muestre otra información, simplemente presione la tecla **Clock**.
- Si no se presiona ninguna tecla numérica dentro de los 30 segundos de haber presionado la tecla **Clock**, la pantalla volverá al ajuste original. Si esto sucede, presione la tecla **Clock** y reingrese la hora.
- Si la hora se muestra en pantalla de manera intermitente, puede haberse producido una falla de energía eléctrica. Reinicie la hora.

Cómo ajustar el reloj:

El reloj debe ajustarse con la hora correcta del día para que las funciones de temporización del horno funcionen correctamente.

- 1 Presione la tecla **Clock** una vez.
- 2 Presione la teclas numéricas para seleccionar la hora deseada.
Ejemplo : Para ajustar la hora en **12:34**, presione las teclas numéricas **1, 2, 3 y 4** en ese orden.
- 3 Presione la tecla **START** para aceptar el cambio.

Ajustes predeterminados mínimos y máximos:

Todas las características enumeradas tienen ajustes de temperatura y de hora mínimos y máximos que pueden ser ingresados en el control. Sonará un bip de aceptación cada vez que se presione una tecla de control.

Sonará un tono de error (dos tonos cortos) si se ingresa un valor de temperatura u hora por debajo del ajuste mínimo o por encima del ajuste máximo de la característica.

CARACTERÍSTICA		TEMP. / HORA MÍN.	TEMP. / HORA MÁX.	PREDET.
HORA DEL RELOJ	12 Hr.	1:00 Hr. / Min.	11:59 Hr. / Min.	
	24 Hr.	0:00 Hr. / Min.	23:59 Hr. / Min.	
TEMPORIZADOR DE COCINA	12 Hr.	0:01 Min.	11:59 Hr. / Min.	
	24 Hr.	0:01 Min.	11:59 Hr. / Min.	
TIEMPO DE COCCIÓN	12 Hr.	0:01 Min.	11:59 Hr. / Min.	
	24 Hr.	0:01 Min.	11:59 Hr. / Min.	
TEMP. PARA ASAR		Baja - 300°F / 149°C	Alta- 400°F / 204°C	Alta
ASADO RÁPIDO (LDG3037ST solamente)		Baja - 250°F / 121°C	Alta - 500°F / 260°C	Alta
TEMP. PARA HORNEAR		170°F / 77°C	550°F / 288°C	350°F / 177°C
HORNEADO POR CONVECCIÓN (LDG3036ST/ LDG3036BD/ LDG3037ST)		300°F / 149°C	550°F / 288°C	325°F / 163°C
ASADO POR CONVECCIÓN (LDG3036ST/ LDG3036BD/ LDG3037ST)		300°F / 149°C	550°F / 288°C	325°F / 163°C
LEVAR				12 Hr.
CALENTAR			170°F / 75°C, 3 hours	3 Hr
AUTO LIMPIEZA		2 Hr.	4 Hr.	3 Hr.

Cómo usar el temporizador:

El Timer On/Off (TEMPORIZADOR ENCENDIDO/ APAGADO) superior o inferior sirve como un temporizador extra de la cocina que sonará cuando el tiempo establecido se haya completado. No comienza ni detiene la cocción.

La característica Timer On/Off superior o inferior puede ser utilizada durante cualquiera de las funciones de control del horno. Los temporizadores superior e inferior funcionan de manera independiente uno de otro.

- Para fijar los minutos y segundos:**
Presione la tecla ^{Upper} Timer On/Off o ^{Lower} Timer On/Off una vez.

Para fijar las horas y los minutos:
Presione la tecla ^{Upper} Timer On/Off o ^{Lower} Timer On/Off dos veces.
- Utilice las teclas numéricas para ajustar el temporizador.
Por ejemplo, para ajustarlo en 5 minutos:

 - Presione la tecla ^{Upper} Timer On/Off o ^{Lower} Timer On/Off dos veces. 00:05 aparecerá en la pantalla.
 - Presione la tecla numérica 5. 0:05 aparecerá en la pantalla.
- Para iniciar el temporizador, presione la tecla ^{Upper} Timer On/Off o ^{Lower} Timer On/Off una vez. Se visualizará en la pantalla el correr del tiempo programado en cuenta regresiva.

Para cancelar el temporizador antes de que haya transcurrido el tiempo programado, presione ^{Upper} Timer On/Off o ^{Lower} Timer On/Off (dependiendo de qué temporizador - del horno superior o inferior- desea cancelar).

NOTA

Si no se presiona ^{Upper} Timer On/Off o ^{Lower} Timer On/Off, el temporizador volverá a la hora del día.

- Cuando haya transcurrido el tiempo programado, *End* aparecerá en la pantalla y sonará un tono. Este tono sonará cada 15 segundos hasta que se presione la tecla ^{Upper} Timer On/Off o ^{Lower} Timer On/Off.

NOTA

Si el tiempo restante no aparece en la pantalla, presione la tecla ^{Upper} Timer On/Off o ^{Lower} Timer On/Off para visualizarlo.

Cómo utilizar la característica de bloqueo del horno:

La característica de bloqueo del horno automáticamente bloquea la puerta del horno y no permite que la mayoría de controles del horno puedan encenderse. No deshabilita el reloj, temporizador ni la luz interior del horno.

- Presione y mantenga presionada la tecla **START** por tres segundos. Sonará un tono, *Loc* aparecerá y **6** parpadeará en la pantalla. Una vez que la puerta del horno esté bloqueada, el indicador de bloqueo del horno dejará de parpadear y permanecerá encendido.
- Para desactivar la característica de bloqueo, presione y mantenga presionada la tecla **START** por tres segundos. *Loc* y **6** desaparecerán de la pantalla y la puerta y controles del horno se desbloquearán.

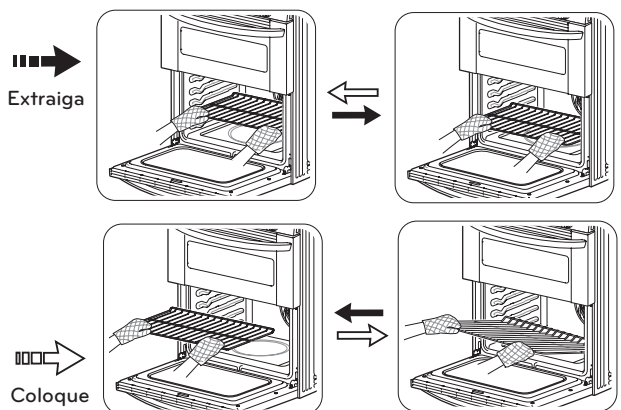
NOTA

Si la característica de bloqueo es activada por la apertura de cualquiera de las puertas, éstas últimas no cerrarán completamente hasta que la característica de bloqueo sea desactivada.

Cómo extraer y volver a colocar los estantes del horno

PRECAUCIÓN

- Coloque el estante en el horno antes de encender el horno para evitar quemaduras.
- NO** cubra el estante con papel de aluminio ni con ningún otro material; tampoco coloque ningún elemento en la parte inferior del horno. Hacerlo podría provocar un mal funcionamiento del horno o podría dañar la parte inferior del horno.
- Acomode los estantes del horno sólo cuando el horno esté frío.



Para extraer los estantes del horno:

- Con sus guantes para hornear, agarre el estante del horno.
- Tire el estante hacia afuera hasta que haga tope.
- Levante la parte frontal del estante.
- Tire el estante hacia afuera.

* También puede ajustar la posición de los estantes antes de utilizar el horno.

Para volver a colocar los estantes del horno:

- Coloque la parte trasera del estante en el soporte. Use guantes/ guantes de cocina para horno.
- Incline el extremo frontal del estante hacia arriba.
- Empuje el estante hacia adentro.
- Verifique que el estante esté correctamente ubicado en su lugar.

HORNEAR (Horno Superior e Inferior)

La función de HORNEADO se utiliza para preparar platillos tales como pasteles, panes, guisados y comidas asadas. Se puede programar el horno para que hornee a cualquier temperatura, desde 170°F (77°C) a 550°F (288°C). La temperatura predeterminada es de 350°F (177°C).

Para configurar la función de HORNEADO (por ejemplo, a 375°F):

- 1 Presione la tecla **Bake** del horno superior o inferior.
- 2 Ingrese la temperatura del horno utilizando las teclas numéricas (por ej., presione **3, 7, 5**).
- 3 Presione la tecla **START**.

Mientras el horno se precalienta, la temperatura se visualizará en pantalla e irá aumentando en intervalos de 5 grados. Una vez que el horno alcance la temperatura deseada, sonará un tono y la luz del horno comenzará a parpadear.

! NOTA

- El precalentamiento es necesario para lograr mejores resultados de cocción. Coloque la comida en el horno luego de haberlo precalentado.
- También puede cambiar la temperatura mientras esté cocinando, siguiendo los pasos 1 a 3.

- 4 Cuando la cocción se haya completado, presione la tecla **Upper CLEAR/OFF** o **Lower CLEAR/OFF**.
- 5 Saque la comida del horno.

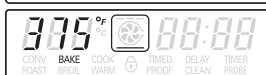
Visualización en pantalla del modo HORNEAR (Ejemplo):



Horno superior únicamente



Horno inferior únicamente



Hornos superior e inferior al mismo tiempo

Tabla para hornear

Esta tabla es sólo para referencia y puede ser utilizada tanto para el horno superior como para el inferior. Ajuste el tiempo de cocción de acuerdo a su receta.

Comida	Temperatura del horno	Posición del estante		Tiempo de horneado (en minutos)
		Horno superior	Horno inferior	
Tortas y pasteles				
- Pastel relleno	350°F(177°C)	A	C	32 - 35
- Pastel bundt	350°F(177°C)	A	C	37 - 43
- Magdalenas	350°F(177°C)	A	C	20 - 30
- Bizcochos	350°F(177°C)	A	C	48 - 52
- Pastel de zanahoria (desde cero)	350°F(177°C)	A	C	30 - 45
Galletas				
- De azúcar	350°F(177°C)	A	C	12 - 20
- Chispas de chocolate	350°F(177°C)	A	C	9 - 16
- Brownies	350°F(177°C)	A	C	30 - 35
Pizza				
- Fresca	425°F(218°C)	A	B	10 - 15
- Congelada	400°F(204°C)	A	B	23 - 27
Panes				
- Bisquets (enlatados)	350°F(177°C)	A	B	13 - 17
- Bisquets (de cero)	425°F(218°C)	A	B	10 - 12
- Muffins	425°F(218°C)	A	B	9 - 15
Frutas y vegetales				
- Manzanas (horneadas)	375°F(190°C)	A	B	40 - 45
- Papas (horneadas)	375°F(190°C)	A	B	60 - 80

ASAR (Horno superior)

Su horno está diseñado para asar a puerta cerrada. La función **Broil** (ASAR) utiliza una intensa radiación de calor proveniente de la hornalla de gas superior. Esta función trabaja mejor cuando se asan cortes finos y tiernos (de 1" o menos) de carne, aves o pescado.

ASADO RÁPIDO (LDG3737ST Horno superior solamente)

Su estufa de gas LG de doble horno usa un sistema de asado cerámico e infrarrojo (IR por sus siglas en inglés). A diferencia de un sistema de asado estándar, el asador cerámico IR trabaja convirtiendo el calor de la flama en energía infrarroja. Este sistema provee un intenso calor que puede dorar los alimentos rápidamente con excelente resultados.

Beneficios de asador cerámico e infrarrojo.
- Intenso calor que dora y encierra los jugos y sabores.
- Asa los alimentos rápidamente.

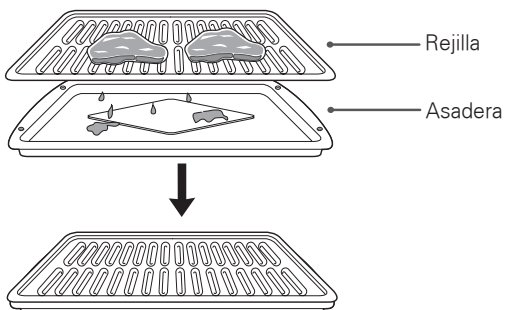
Su horno está diseñado para asar a puerta cerrada. La función **Speed Broil** (ASAR) utiliza una intensa radiación de calor proveniente de la hornalla de gas superior. Esta función trabaja mejor cuando se asan cortes finos y tiernos (de 1" o menos) de carne, aves o pescado.

! PRECAUCIÓN

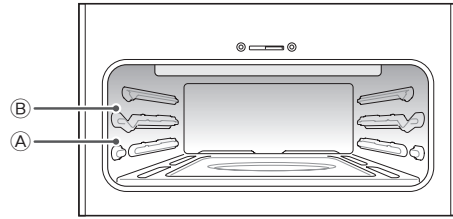
- **NO** utilice asaderas sin rejilla. El aceite puede ocasionar que la grasa se incendie.
- **NO** cubra la rejilla ni la asadera con papel de aluminio. Hacerlo provocará que se prenda fuego.
- **Siempre use** una cacerola de asado y una parrilla para drenar el exceso de grasa y cebo, esto ayudará a reducir salpicaduras, humo y llamaradas.
- **Nunca** utilice una cacerola para asar si no esta totalmente limpia y a temperatura ambiente. Si la cacerola esta dañada, deformada, o permanentemente muy sucia, debe de considerar reemplazarla para reducir la cantidad de humo durante el asado.

! NOTA

- Use la opción **Lo** (bajo) para asar alimentos tales como aves y cortes gruesos de carne.
- Extraiga la asadera del horno para que se enfríe y así permitir la limpieza fácil.
- Para obtener los mejores resultados, utilice una bandeja diseñada para asar, como se muestra abajo. La asadera retiene los derrames de grasa y la rejilla ayuda a prevenir que la grasa salpique.



Cuando ase en la posición de estante 'B' en el horno superior, utilice el estante de compensación provisto para lograr mejores resultados de cocción.



*B: Posición donde se utiliza el estante de compensación.

*A: Posición donde se utiliza el estante de compensación. (LDG3037ST solamente)

! PRECAUCIÓN

Tenga cuidado cuando deslice hacia adentro o hacia afuera el estante de compensación, ya que como pasa cerca de la parte inferior de la cavidad, las superficies calientes pueden causar quemaduras. Siempre use guantes de cocina cuando mueva los estantes del horno.

Para configurar la función de ASAR en el horno superior:

- 1 Presione la tecla **Broil** una vez para **H** (alto), y dos veces para **Lo** (bajo). (LDG3737ST: ASADO RÁPIDO)
- 2 Presione la tecla **START**.
- 3 Permita que el horno para asar se precaliente durante cinco minutos.
- 4 Coloque la comida en el horno superior.
- 5 Cierre la puerta del horno. La puerta del horno debe permanecer cerrada durante el proceso de asado.

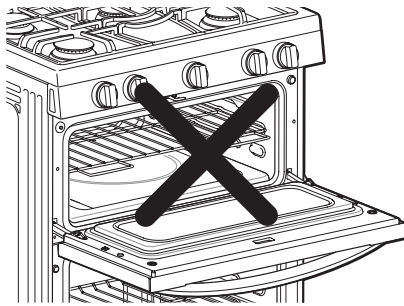
! ADVERTENCIA

Cuando use el asador, la temperatura dentro del horno será muy alta. Tome precaución para evitar posibles quemaduras mediante las siguientes prácticas:

- Mantenga la puerta cerrada (Refiérase a la sección Asado del manual).
- Siempre use guantes para hornear cuando inserte o retire los alimentos.
- Un uso inapropiado del asador puede provocar humo excesivo y fuego causado por la grasa. Condiciones impropias de uso incluyen, pero no estan limitadas a:
 - Asar con la parrilla en la posición B.
 - Seleccionar una potencia del asador mayor a la recomendada.
 - Usar una bandeja para asar sucia y/o grasosa.
 - Asar por mas tiempo del recomendado.

NOTA

Si la puerta del horno permanece abierta por más de 15 segundos durante la función de Asar, la hornalla se apagará. La hornalla se volverá a encender automáticamente una vez que la puerta haya sido cerrada.



6 Cuando haya finalizado de asar, presione la tecla **Upper CLEAR/OFF**.

NOTA

Puede producirse algo de humo durante el proceso de asado. Esto es normal. El encendedor del asador cerámico infrarrojo que se encuentra localizado en la parte superior del interior del horno brillará anaranjado periódicamente durante la operación normal del asador.

Visualización en pantalla del modo ASAR (Ejemplo)



LDG3037ST: Visualización en pantalla del modo ASAR (Ejemplo)



ESPAÑOL

- **Alto:** Use el ajuste 'Alto', para bistec, hamburguesas y pescados que usted quiera logren un dorado profundo lleno de sabor.
- **Medio:** Use el ajuste 'Medio' para cortes gruesos de carne que usted quiera logren un término tres cuartos o bien cocido. También use el ajuste medio de asado para pescado con todo y piel.
- **Bajo:** El ajuste 'Bajo' es más efectivo para derretir queso en alimentos como nachos.

Debido a que un intenso calor esta asociado con el asador infrarrojo, quizás experimente que exista más humo que a lo que esta acostumbrado comparado con un asador convencional. Este humo es naturalmente provocado por el dorado y no debe de generarle preocupación alguna. Si experimenta más humo del cual esta acostumbrado que exista, sírvase de los siguientes tips para reducir la cantidad de humo en su horno:

1. Para cualquier asado en sus ajustes alto o bajo, use una cacerola de asado solamente. No saltee cacerolas u hojas de horneado regulares por cuestiones de seguridad.
2. NUNCA use una cacerola de asado que no este totalmente limpia y a temperatura ambiente al principio del cocinado. Si la cacerola esta dañada, deformada, o permanentemente muy sucia, debe de considerar reemplazarla para reducir la cantidad de humo durante el asado.
3. SIEMPRE utilice el sistema de ventilación de su cocina o campana de ventilación durante el asado.
4. Mantenga siempre el interior de su horno lo más limpio que pueda. Los residuos de alimentos anteriores pueden causar quemaduras o generar fuego.
5. Evite marinadas grasosas o glaseados azucarados, ambos pueden hacer que la cantidad de humo que exista se incremente. Si quisiera utilizar un glaseado, aplíquelo al final del cocinado.
6. Si experimenta que existe mucho humo con cualquier tipo de alimento, considere:
 - a. Baje el nivel de asado al ajuste anterior.
 - b. Use el ajuste 'Alto' para lograr el nivel de dorado que usted desea, posteriormente cambie al nivel anterior o encienda la función BAKE.
7. Como una regla, los cortes grasosos de carne y pescado producirán más humo que los cortes magros.
8. Adhiérase a los ajustes recomendados de asado y a los lineamientos de cocinado en la tabla que se encuentra en la siguiente página, siempre que sea necesario.

TABLA PARA LA FUNCIÓN DE ASAR (Para los modelos LDG3031, LDG3035, LDG3036)

Comida	Cantidad y/o espesor	Horno superior			Comentarios
		Posición del estante	Primer lado (minutos)	Segundo lado (minutos)	
Carne molida Bien cocida	1 libra (4 hamburguesas) 1/2 a 3/4" de espesor	A	5-7	3-5	Espaciarla uniformemente, Se pueden asar hasta 8 hamburguesas a la vez.
Bistecs Casi crudo Punto medio Bien cocido Casi crudo Punto medio Bien cocido	1" de espesor 1 a 1 1/2 libras	A	6-7	2-3	Los bifecs de menos de 1" de espesor se cocinan en su interior antes de dorarse. Se recomienda cocinarlos en sartén. Quite la grasa.
		A	7-8	3-4	
		A	8-9	4-5	
	1 1/2" de espesor 2 a 2 1/2 libras	A	8	3-4	
		A	9	4-5	
A	10	5-6			
Pollo	1 corte entero de hasta 2 a 2 1/2 libras abierto a lo largo	A	8-10	5-7	Ase el lado de la piel hacia abajo primero.
	2 pechugas	A	8-9	5-6	
Filetes de pescado	1/4 a 1/2" de espesor	A	5	2-4	Cocine y dé vuelta los filetes con mucho cuidado. Puede untarlos con mantequilla de limón antes y durante la cocción si gusta.
Rodajas de jamón (precocidas)	1/2" de espesor	A	6-7	2-3	Aumente el tiempo de cocción de 5 a 10 minutos por lado para jamón curado casero o para jamón de 1 1/2" de espesor.
Chuletas de cerdo Bien cocidas	1 (1/2" de espesor)	A	4-6	3-5	Quite la grasa.
	2 (1" de espesor) aprox. 1libra	A	7-9	5-7	
Chuletas de cordero Cocción media Bien cocidas Cocción media Bien cocidas	2 (1" de espesor) aprox10 a 12 oz.	A	7-8	2-3	Quite la grasa.
		A	8-9	3-4	
	2 (1/2" de espesor) aprox. 1libra	A	6-7	2-3	
		A	7-8	3-4	
Filetes de salmón	2 (1" de espesor)	A	7-9	3-5	Aceite la bandeja. Unte los filetes con manteca derretida.
	4 (1" de espesor) aprox. 1libra	A	8-10	3-5	

Esta tabla es solamente de referencia. Ajuste el tiempo de cocción de acuerdo con su preferencia.

TABLA PARA LA FUNCIÓN DE ASAR (LDG3037ST Solamente)

Corte	Tamaño/ Grosor	Termino	Ajuste del asador	Tiempo		Comentarios
				Lado 1	Lado 2	
Lomo/Filete	1"	Medio rojo	Alto	5:00	3:00	<ul style="list-style-type: none"> • A los bistecs y chuletas siempre se les debe de dejar reposar por 5 minutos antes de cortarlos y ser comidos. Esto permite que el calor se distribuya uniformemente en el alimento y cree un resultado más suave y jugoso. • Para las piezas de carne gruesas, considere retirarlas del refrigerador 30 minutos antes de cocinarlas. Esto ayuda a que se cocinen más rápido de manera uniforme, además producirá menos humo. Por favor advierta que los tiempos de cocinado probablemente serán más cortos que los tiempos indicados en la tabla de arriba. • Para los bistecs o chuletas a las cuales se les haya "Afrancesado" (removido una porción de carne del hueso), cubra las secciones expuestas del hueso con papel especial, por ejemplo papel aluminio para reducir quemaduras.
		Medio	Alto	5:00	4:00	
		Tres cuartos	Alto	6:00	4:00	
		Bien cocido	Alto	6:00	5:00	
	1 1/2"	Medio rojo	Alto	6:00	4:00	
		Medio	Alto	7:00	4:00	
		Tres cuartos	Alto	7:00	5:00	
		Bien cocido	Alto	7:00	6:00	
	2"	Medio rojo	Alto	7:00	5:00	
		Medio	Alto	8:00	6:00	
		Tres cuartos	Medio	8:00	10:00	
		Bien cocido	Medio	10:00	12:00	
Corte New York/Cortes angostos	3/4" - 1"	Medio rojo	Alto	5:00	3:00	
		Medio	Alto	5:00	4:00	
		Tres cuartos	Alto	6:00	4:00	
		Bien cocido	Alto	6:00	5:00	
	1 1/2"	Medio rojo	Alto	6:00	5:00	
		Medio	Alto	7:00	6:00	
		Tres cuartos	Medio	8:00	10:00	
		Bien cocido	Medio	8:00	12:00	
Ribeye/Delmonico	3/4" - 1"	Medio rojo	Alto	5:00	3:00	
		Medio	Alto	5:00	4:00	
		Tres cuartos	Alto	6:00	4:00	
		Bien cocido	Alto	6:00	5:00	
	1 1/2"	Medio rojo	Alto	6:00	5:00	
		Medio	Alto	7:00	6:00	
		Tres cuartos	Medio	8:00	10:00	
		Bien cocido	Medio	8:00	12:00	
Cortes con hueso	3/4" - 1"	Medio rojo	Alto	5:00	4:00	
		Medio	Alto	6:00	5:00	
		Tres cuartos	Alto	7:00	6:00	
		Bien cocido	Alto	8:00	7:00	
	1 1/2"	Medio rojo	Alto	8:00	8:00	
		Medio	Alto	10:00	8:00	
		Tres cuartos	Medio	10:00	12:00	
		Bien cocido	Medio	10:00	15:00	
Arrachera	1/2"-3/4"	Medio rojo	Alto	4:00	3:00	
		Medio	Alto	5:00	3:00	
		Tres cuartos	Alto	5:00	4:00	
		Bien cocido	Alto	6:00	4:00	
Fajitas	1"	Medio rojo	Alto	7:00	5:00	
		Medio	Alto	8:00	6:00	
		Tres cuartos	Alto	8:00	8:00	
		Bien cocido	Alto	9:00	9:00	
Fajitas	1 1/2"	Medio rojo	Alto	8:00	6:00	
		Medio	Alto	8:00	8:00	
		Tres cuartos	Alto	9:00	9:00	
		Bien cocido	Alto	10:00	10:00	
Hamburguesa	3/4" thick	Medio rojo	Alto	5:00	3:00	
		Medio	Alto	5:00	4:00	
		Tres cuartos	Alto	6:00	4:00	
		Bien cocido	Alto	6:00	5:00	

TABLA PARA LA FUNCIÓN DE ASAR(LDG3037ST Solamente)

Corte	Tamaño/ Grosor	Termino	Ajuste del asador	Tiempo		Comentarios
				Lado 1	Lado 2	
Chuleta con hueso	6 - 8 oz., 2 bone	Medio	Alto	7:00	6:00	<ul style="list-style-type: none"> • Cuando ase pescado con piel, siempre use el ajuste medio del asador y siempre ase el lado de la piel al final. • Se recomienda que los pescados y mariscos se consuman inmediatamente después de ser cocinados. Dejar que los pescados y mariscos reposen después de ser cocinados puede causar que estos alimentos se sequen. • Es una buena idea esparcir una capa delgada de aceite sobre la superficie de la cacerola para asar para reducir la adherencia de la comida al utensilio de cocina, especialmente con los pescados y mariscos. También puede usar una delgada capa de aceite para cocinar en spray.
Porción de salmón/ filete, con piel	3/4" - 1"	Bien cocido	Medio	6:00	4:00	
	1 1/2"	Bien cocido	Medio	8:00 (Lado de la carne)	4:00 (Lado de la carne)	
Porción de salmón/ filete, sin piel	3/4" - 1"	Bien cocido	Medio	6:00	4:00	
	1 1/2"	Bien cocido	Medio	6:00	6:00	
Porción de halibut, sin piel	3/4" - 1"	Bien cocido	Medio	6:00	5:00	
	1 1/2"	Bien cocido	Medio	7:00	6:00	
Camarón, con piel	<10/lb.	Bien cocido	Alto	4:00	3:00	
	10-20/lb.	Bien cocido	Alto	3:00	3:00	
	21-30/lb.	Bien cocido	Alto	3:00	2:00	
Camarón, sin piel	<10/lb.	Bien cocido	Alto	4:00	2:00	
	10-20/lb.	Bien cocido	Alto	3:00	2:00	
	21-30/lb.	Bien cocido	Alto	3:00	1:00	
Cola de langosta	1/3/lb.	Bien cocido	Alto	6:00	Bien dorado	
Chuleta de puerco	1"	Bien cocido	Alto	6:00	5:00	
Lomo de puerco	12-16 oz., 1.5"	Bien cocido	Alto	9:00	8:00	
Salchicha	1/4/lb., 1.5"	Bien cocido	Alto	6:00	4:00	
Rodajas de jamón	1/2" thick	Bien cocido	Alto	5:00	4:00	
Pechuga, sin hueso, sin piel	1/2" - 3/4"	Bien cocido	Alto	6:00	4:00	
Espárragos	1/2" thick	Bien cocido	Alto	4:00	3:00	<ul style="list-style-type: none"> • Sacuda las verduras ligeramente en aceite antes de cocinarlas para mejorar el acabado dorado.
Calabacitas	1/2" strips	Bien dorado	Alto	7:00		
Tostado	4 piezas	Bien dorado	Alto	1:00	1:00	
Mantecada inglesa	2 split	Bien dorado	Alto	2:00		

Esta tabla es solamente de referencia. Ajuste el tiempo de cocción de acuerdo con su preferencia.

! NOTA

Los tiempos de asado pueden variar por el tamaño, peso y/o grosor de la comida a asar, temperatura de inicio y preferencias personales de cocción. Esta guía se basa en carnes a temperaturas refrigeradas.

! NOTA

Para protegerse de intoxicaciones, cocine la carne roja y pollería totalmente. El Departamento de Agricultura de los Estados Unidos por sus siglas en Inglés (USDA) ha indicado las siguientes temperaturas internas mínimas para el consumo seguro de los alimentos.

- Carne de res, ternera, puerco o cordero, molida: 160° F.
- Pollaría: 165 °F.
- Bistec de res, ternera, puerco o cordero: 145 °F.
- Pescados y Mariscos: 145°F.

COCCIÓN CON TEMPORIZADOR (Horno superior e inferior)

La función de COCCIÓN CON TEMPORIZADOR le permite programar el horno para cocinar durante un período de tiempo específico. Esta función solo puede utilizarse mientras se hornea.

Para configurar la COCCIÓN CON TEMPORIZADOR (ejemplo: para HORNEAR a 300°F durante 30 minutos):

- 1 Presione la tecla **Bake** superior o inferior. **350°F** aparecerá en la pantalla.
- 2 Utilice las teclas numéricas para establecer la temperatura (por ej., presione **3, 0, 0**).
- 3 Presione **START** para comenzar el precalentado.
- 4 Una vez que el horno se haya precalentado a 300°, presione la tecla **Cook Time**. **300°F** aparecerá en la pantalla.
- 5 Programe el tiempo de horneado deseado (ej. presione **3, 0**). El tiempo de horneado puede programarse para cualquier cantidad de tiempo, entre 1 minuto y 11 horas y 59 minutos.
- 6 Presione la tecla **START** y la pantalla mostrará la cuenta regresiva del tiempo de cocinado.

! NOTA

- Para hacer que la función CALENTAR encienda al final del ciclo de cocinado, repita los pasos 1 a 5, y luego presione la tecla **Warm**. **WARM** aparecerá en la pantalla. (Consulte "CALENTAR" en la sección "Cómo usar" para mayor información acerca de cómo calentar.)
- Para cancelar la función COCCIÓN CON TEMPORIZADOR, presione las teclas **Upper CLEAR/OFF** o **Lower CLEAR/OFF** en cualquier momento.

El horno continuará cocinando durante el tiempo programado y luego se apagará automáticamente. Cuando haya finalizado el tiempo de cocción:

- **End** y la hora del día aparecerán en la pantalla.
- El tono que indica el final de la cocción sonará cada 60 segundos hasta que se presione la tecla **Upper CLEAR/OFF** o **Lower CLEAR/OFF**.
- Cuando se programa la función CALENTAR, la misma se activará luego de haberse completado la cocción por el tiempo programado.

Para cambiar el tiempo de cocción mientras el horno está encendido (por ejemplo, para cambiar el tiempo de cocción de 30 minutos a 1 hora y 30 minutos):

- 1 Presione la tecla **Cook Time**.

! NOTA

Si ambos hornos superior e inferior están funcionando al mismo tiempo, presione la tecla **Cook Time** una vez para fijar el tiempo de cocción para el horno inferior y dos veces para el horno superior.

- 2 Utilice las teclas numéricas para cambiar el tiempo de horneado (por ej. presione **1, 3, 0**).
- 3 Presione **START** para aceptar el cambio.

COCCIÓN CON TEMPORIZADOR RETARDADO (Horno superior e inferior)

El temporizador automático de COCCIÓN CON TEMPORIZADOR RETARDADO hará que el horno se ENCIENDA y se APAGUE a la hora que usted seleccione. Esta función solo puede utilizarse mientras se hornea.

Para configurar el horno para Inicio Retardado

(ejemplo: para HORNEAR a 300°F durante 30 minutos y que el modo horneado comience a las 4:30 pm):

- 1 Asegúrese de que el reloj tenga la hora correcta.
- 2 Acomode la(s) bandeja(s) interiores del horno y coloque la comida en el horno.
- 3 Presione la tecla **Bake**. **350°F** aparecerá en la pantalla.
- 4 Utilice las teclas numéricas para establecer la temperatura del horno (por ej. presione **3, 0, 0**).
- 5 Presione la tecla **Cook Time**.
- 6 Programe el tiempo de horneado (por. ej. presione **3, 0**). El tiempo de horneado puede programarse por cualquier cantidad de tiempo, entre 1 minuto y 11 horas y 59 minutos.
- 7 Presione la tecla **Start Time**.
- 8 Programe el tiempo de inicio (por ej. presione **4, 3, 0**).
- 9 Presione la tecla **START**. A la hora programada, sonará un bip corto y el horno comenzará a hornear.

! NOTA

- Para cancelar la función COCCIÓN CON TEMPORIZADOR RETARDADO, presione las teclas **Upper CLEAR/OFF** o **Lower CLEAR/OFF** en cualquier momento.
- Si desea cambiar el tiempo de cocción, repita los pasos 5 a 6 y presione **START**.

El horno continuará cocinando durante el tiempo programado y luego se apagará automáticamente. Cuando haya finalizado el tiempo de cocción:

- **End** y la hora del día aparecerán en la pantalla.
- El tono que indica el final de la cocción sonará cada 60 segundos hasta que se presione la tecla **Upper CLEAR/OFF** o **Lower CLEAR/OFF**.
- Cuando se programe la función CALENTAR, la misma se activará luego de haberse completado la cocción por el tiempo programado.

! NOTA

Si el reloj de su horno está configurado como un reloj de 12 horas, puede retardar el tiempo de cocción por 12 horas. Si el reloj de su horno está configurado como un reloj de 24 horas, puede retardar el tiempo de cocción por 24 horas.

! PRECAUCIÓN

- Utilice el temporizador automático cuando cocine carnes curadas o congeladas y la mayoría de frutas y vegetales. Los alimentos que pueden echarse a perder fácilmente como leche, huevo, pescado, carne o aves deben enfriarse en el refrigerador. Incluso fríos, no deben dejarse en el horno más de 1 hora antes de la cocción, y deben retirarse apenas termina la cocción.
- Comer alimentos echados a perder puede causar intoxicación por comida en mal estado.

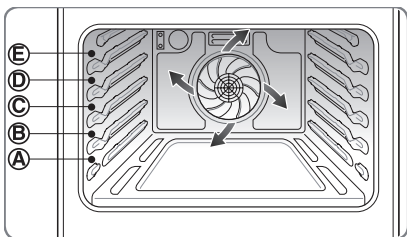
Como usar la convección del horno inferior (LDG3036ST / LDG3036BD / LDG3037ST)

El sistema de convección utiliza un ventilador para hacer circular el calor del horno.

Esto resulta en una mejora en la distribución del calor permitiendo un cocinado parejo y por lo tanto excelentes resultados.

CONVECCIÓN HORNEADO (LDG3036ST / LDG3036BD / LDG3037ST)

El horneado por convección permite un cocinado parejo y por lo tanto excelentes resultados incluso usando múltiples bandejas al mismo tiempo. Puede también disminuir el tiempo de cocinado operando el modo CONVECCIÓN HORNEADO entre 300°F(150°C) ~ 550°F(285°C).



1 Beneficios del modo CONVECCIÓN HORNEADO

- 1) Horneado parejo usando múltiples bandejas.
- 2) Tiempo de cocinado más rapido.

2 Para accionar el modo CONVECCIÓN HORNEADO (ejemplo a 375°F).

- 1) Presione la tecla **Conv. Bake**. La pantalla parpadeará **350°F**.
- 2) Introduzca la temperatura del horno (Presione **3, 7, 5**).

! NOTA

Cuando cocine con un ciclo de convección, la temperatura del horno será automáticamente reducida en 25°F posteriormente la pantalla mostrara la temperatura cambiada. Esta característica de funcionamiento es llamada AUTO CONVERSIÓN. Su estufa viene con esta característica de funcionamiento habilitada.

Para deshabilitar la característica de auto conversión, vea "Cómo activar la función de auto conversión del modo de convección" en la sección de "Instrucciones de funcionamiento".

! NOTA

Escuchará un ventilador mientras cocine con convección. El ventilador parará cuando la puerta se abra, pero el calor permanecerá encendido. El ventilador no comenzará a funcionar hasta que el horno haya alcanzado la temperatura de precalentado.

3) Presione el botón **START**. La pantalla mostrara **CONV, BAKE** y la temperatura convertida empezando en 100°F. Conforme el horno se vaya precalentando, la pantalla mostrara incrementos de temperatura de 5 grados.

4) Una vez que el horno alcance la temperatura deseada, un tono sonará y la luz del horno parpadeará continuamente. La pantalla mostrará la temperatura del horno auto convertida **350°F, CONV, BAKE** y

! NOTA

- Para cancelar el modo CONVECCIÓN HORNEADO, presione la tecla **Lower CLEAR/OFF** en cualquier momento.
- Pantalla en el modo CONVECCIÓN HORNEADO (ejemplo).



Horno inferior solamente.



Horno inferior y superior al mismo tiempo.

3 Utensilios de cocina para el cocinado por convección.

Antes de usar el horno por convección, verifique sus utensilios de cocina dejen espacio para que el aire circule dentro del horno. Si va a hornear con varios utensilios de cocina deje espacio entre estos. También, asegúrese de que no haya contacto entre las cacerolas para hornear y/o entre estas con las paredes del horno.

1) Papel y plástico.

Se pueden utilizar papel resistente al calor y/o contenedores de plástico recomendados para su uso en hornos regulares y/o hornos de convección.

2) Metal y vidrio.

Cualquier tipo de utensilio de cocina funcionará en su horno equipado con la función de convección. Sin embargo, las cacerolas para hornear de metal calientan más rápido y son recomendadas para su uso en hornos de convección.

- Las cacerolas que sean oscuras o con acabados en mate hornearán más rápido que las cacerolas de acabados brillantes.
- Las cacerolas para hornear de vidrio o de materiales cerámicos cocinarán más despacio.

Cuando hornee galletas, use hojas planas de metal en lugar de cacerolas con lados cortos para obtener mejores resultados.

Para recetas como pollo al horno, use cacerolas para hornear con lados cortos. El aire caliente no podrá circular libremente alrededor de la comida si se utiliza una cacerola con lados largos.

! NOTA

- Las galletas y bizcochos deben de ser horneados en hojas planas de metal o en cacerolas de metal de lados muy cortos. La comida cocinada en cacerolas con acabados oscuros se cocinará más rápido.
- Al usar la función de horneado por convección la comida cocinada en una sola bandeja generalmente se cocinará más rápido y de forma pareja. El uso de múltiples bandejas puede incrementar ligeramente los tiempos de cocinado de algunas comidas pero generalmente el resultado final es el ahorro de tiempo.
- Las galletas, mantecadas, bizcochos las galletas, mantecadas y bizcochos buenos resultados cuando se usan varias bandejas a tendrán vez.
- Es normal que el ventilador se pare durante el ciclo de convección, esto permite que el calor se distribuya uniformemente.
- Utilice cacerolas de tamaños recomendados en las recetas.
- Algunas comidas congeladas han sido echas para ser cocinadas en hornos comerciales de convección. Para mejores resultados, precaliente el horno y utilice la temperatura recomendada en la receta del empaque.
- Si algún fabricante de comida otorga instrucciones de cocinado por convección específicas, programe la temperatura de auto conversión para que la temperatura de precalentamiento del horno sea la misma que la de la temperatura en las instrucciones del empaque.

Tabla de horneado por convección

Si la función de auto conversión esta deshabilitada, reduzca la temperatura estándar de la receta en 25°F en el modo de CONVECCIÓN HORNEADO.

Las temperaturas han sido ajustadas en esta tabla.

El uso de múltiples bandejas puede incrementar ligeramente los tiempos de cocinado de algunas comidas pero generalmente el resultado final es el ahorro de tiempo.

Esta tabla es solo de referencia. Ajuste el tiempo de cocción de acuerdo a su preferencia.

Alimento	Temperatura del horno (convertido)	Posición de la bandeja	Tiempo de horneado (minutos)
Pasteles - Pasteles de capas - Pastel Bundt	325°F(163°C) 325°F(163°C)	C C	32~35 37~43
Pasteles, especialidad - Popovers - Magdalenas - Pasteles de libra	400°F(204°C) 325°F(163°C) 325°F(163°C)	B C C	20~30 20~25 48~55
Galletas - Azúcar - Chispas de chocolate - Brownies	325°F(163°C) 325°F(163°C) 325°F(163°C)	C C C	12~20 9~16 30~35
Pizza - Fresca - Congelada	400°F(204°C) 375°F(190°C)	C C	10~15 23~27
Panes - Panecillo, lata - Panecillo, casero - Muffins - Pan blanco, rebanada	325°F(163°C) 425°F(218°C) 400°F(204°C) 400°F(204°C)	C C C B	13~17 8~12 9~15 30~38
Masa de pastelitos - Casera - Refrigerador	425°F(218°C) 425°F(218°C)	C C	9~12 9~11
Postres - Crocantes de frutas y cobbler, caseros - Pasteles, caseros, 2 masas de frutas	350°F(177°C) 350°F(177°C)	C C	30~40 60~70

Pre calentamiento y ubicación de las bandejas

- Para precalentar, ajuste la temperatura del horno a la indicada en la receta. Espere hasta que el horno alcance la temperatura ingresada antes de poner la comida en el horno. El precalentamiento es necesario para obtener resultados satisfactorios al hornear pasteles, galletas, tartas y panes.
- Para obtener los mejores resultados en el horneado, las bandejas deben centrarse en los estantes. Si hornea con más de una bandeja, coloque las bandejas de manera tal que cada una tenga como mínimo 1" a 1 1/2" de espacio a su alrededor.
- Si debe utilizar varios estantes en el horno inferior, coloque los estantes en la posición C(estante) y E(estante). Coloque las bandejas tal como se muestra en la Figura 1. Si debe utilizar un solo estante en el horno superior, coloque el estante en la posición A y en el horno inferior, coloque el estante en posición C. Coloque la bandeja tal como se muestra en la fig.2. En el horno superior es recomendado hornear con el estante en posición A.

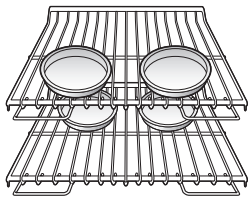


Figura 1

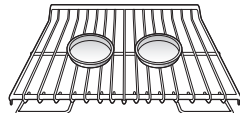
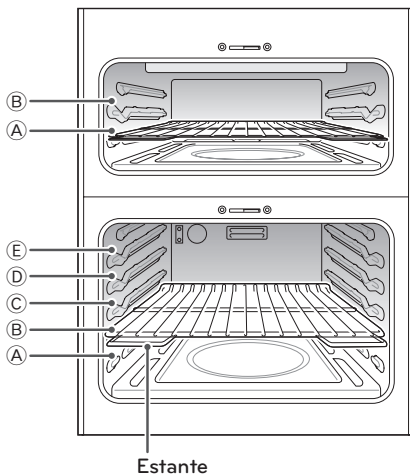


Figura 2



Estante

CONVECCIÓN ASADO PARA EL HORNO INFERIOR (LDG3036ST / LDG3036BD / LDG3037ST)

El modo de convección asado está diseñado para otorgar un óptimo desempeño al asar. La función CONVECCIÓN ASADO combina el cocinado con el ventilador de convección para asar carnes. El aire precalentado circula alrededor de las comida desde todos los lados del horno, envolviendo mejor los jugos y sabores. Los alimentos llegan a ser tostados y crujientes en el exterior y jugosos en el interior.

- 1 Para accionar el horno inferior en modo CONVECCIÓN ASADO (ejemplo a 375°F).
 - 1) Presione el botón **Conv. Roast**. La pantalla desplegará **350°F**.
 - 2) Fije la temperatura del horno (presione **3, 7, 5**).

! NOTA

Cuando cocine con un ciclo de convección, la temperatura del horno será automáticamente reducida en 25°F posteriormente la pantalla mostrara la temperatura cambiada. Esta característica de funcionamiento es llamada AUTO CONVERSIÓN. Su estufa viene con esta característica de funcionamiento habilitada. Para deshabilitar la característica de auto conversión, vea "Cómo activar la función de auto conversión del modo de convección en la sección de "Instrucciones de funcionamiento".

- 3) Presione la tecla **START**. La pantalla mostrara **CONV, ROAST** y la temperatura convertida empezando en 100°F. Conforme el horno se vaya precalentando, la pantalla mostrara incrementos de temperatura de 5 grados.
- 4) Una vez que el horno alcanza la temperatura deseada, un tono sonará y la luz de horno parpadeará continuamente. La pantalla mostrará la temperatura del horno auto convertida **350°F, CONV, ROAST** y .
- 5) Ponga la comida dentro del horno.

! NOTA

- Para cancelar el modo CONVECCIÓN ASADO, presione la tecla **Lower CLEAR/OFF** en cualquier momento.
- Pantalla en el modo CONVECCIÓN ASADO (ejemplo).



Horno inferior solamente.



Horno inferior y superior al mismo tiempo.

Características especiales

PIZZA (Horno superior) (excepto LDG3037ST)

Esta función fija automáticamente la temperatura del horno superior para cocinar pizza congelada tanto de masa regular como de masa gruesa. Simplemente escoja el tipo de masa (P1 para masa regular y P2 para masa gruesa) e introduzca el tiempo de cocinado.

Para configurar el horno para pizza congelada:

- 1 Presione la tecla **Pizza** una vez para masa normal y dos veces para masa elevada. Aparecerá **P 1** (masa normal) o **P 2** (masa elevada) en la pantalla.
- 2 Presione la tecla **START**.
- 3 "P-E" aparecerá en la pantalla para indicando que el horno se esta precalentando. La alarma sonará una vez que el precalentado haya terminado.
- 4 Introduzca la pizza en el horno, cierre la puerta, posteriormente fije el temporizador como lo muestra la tabla de abajo.
- 5 Cuando el cocinado se haya completado, presione el botón **Upper CLEAR/OFF**.
- 6 Retire los alimentos del horno.

Visualización en pantalla (ejemplo):



P1



P2

! NOTA

El precalentamiento es necesario para lograr mejores resultados de cocción. Coloque la comida en el horno luego de haberlo precalentado.

Tabla para PIZZA

Comida	Tamaño recomendado	Posición del estante	Tiempo recomendado (minutos)
Pizza congelada con masa normal	12"	A	13-17
Pizza congelada con masa elevada	12"	A	25-28

Esta tabla es solo para referencia. Ajuste el tiempo de cocción de acuerdo con lo indicado en la receta.

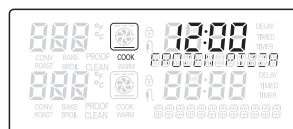
MENU PARA NIÑOS (LDG3037ST Horno superior solamente)

Esta función precalentará el horno superior a la temperatura óptima para cocinar pizza de pan regular, pizza de pan esponjoso, pizza fresca, nuggets de pollo, papas a la francesa o carne para hamburguesa.

Para fijar el horno en MENU PARA NIÑOS:

- 1 Presione el botón **Kids Meal** del horno superior. **FROZEN PIZZA, REGULAR** aparecerá en la pantalla.
- 2 Continúe presionando **Kids Meal**, para seleccionar **FROZEN PIZZA; RISING; FRESH PIZZA; CHICKEN NUGGETS; FRENCH FRIES** o **HAMBURGER PARTIES**.
- 3 Presione la tecla **START**. **PREHEATING** aparecerá en la pantalla.
- 4 Una vez que el horno se haya precalentado. Coloque los alimentos dentro del éste y fije el tiempo de cocinado de acuerdo a las instrucciones escritas en el empaque.

Visualización en pantalla (ejemplo):



! NOTA

El precalentamiento es necesario para lograr mejores resultados de cocción. Coloque la comida en el horno luego de haberlo precalentado.
- Utilice el estante de compensación para cocinar comida para niños.

TABLA DEL MENU PARA NIÑOS

Comida	Tamaño recomendado	Posición del estante	Tiempo recomendado (minutos)
Pizza congelada con masa normal	12"	B, Desfase	Utilice los tiempos que viene en el empaque.
Pizza congelada con masa elevada	12"	B, Desfase	Utilice los tiempos que viene en el empaque.
Pizza fría	12"	B, Desfase	Utilice los tiempos que viene en el empaque.
Nuggets de pollo	1-4 porciones (3.5oz por porción)	B, Desfase	Utilice los tiempos que viene en el empaque.
Papas fritas	1-4 porciones (3.5oz por porción)	B, Desfase	Utilice los tiempos que viene en el empaque.
Carnes de hamburguesa	4-12 carnes de hamburguesa de 1/2" de grosor	A, Desfase	Utilice los tiempos que viene en el empaque.

Esta tabla es solo para referencia.

CALENTAR (Horno superior e inferior)

Esta función mantendrá la temperatura del horno en 170°F (77°C). La función **CALENTAR** mantendrá la comida caliente para servirla hasta 3 horas luego de que haya finalizado la cocción. La función Calentar puede utilizarse sin otras operaciones de cocción o puede utilizarse luego de que la cocción haya finalizado utilizando HORNEAR CON TEMPORIZADOR u HORNEAR CON TEMPORIZADOR RETARDADO.

! NOTA

- La función **CALENTAR** tiene el propósito de mantener la comida caliente. No la utilice para enfriar la comida.
- Cuando la temperatura del horno inferior esté por encima de los 475°F (246°C), la función **CALENTAR** del horno superior no podrá utilizarse. **Hot** aparecerá en la pantalla.

Para programar la función CALENTAR:

- 1 Presione la tecla **Warm** del horno superior y/o inferior.
- 2 Presione la tecla **START**.

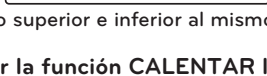
Visualización en pantalla (ejemplo):



Horno superior únicamente



Horno inferior únicamente



Horno superior e inferior al mismo tiempo

Para programar la función CALENTAR luego de la Cocción con temporizador:

- 1 Configure la COCCIÓN CON TEMPORIZADOR O COCCIÓN CON TEMPORIZADOR RETARDADO (consulte "COCCIÓN CON TEMPORIZADOR" o "COCCIÓN CON TEMPORIZADOR RETARDADO" en la sección "Cómo usar").
- 2 Presione la tecla **START**.
- 3 Presione la tecla **Warm**.
El modo Calentar se encenderá automáticamente luego de haberse completado la cocción por temporizador o la cocción con temporizador retardado.

! NOTA

- Para cancelar la función **CALENTAR**, presione las teclas **Upper CLEAR/OFF** o **Lower CLEAR/OFF** en cualquier momento.
- Si presiona **Upper CLEAR/OFF** o **Lower CLEAR/OFF** antes de que se inicie la función de retardo, todos los ajustes programados de cocción se cancelarán.

LEVAR (Para el horno inferior)

Esta característica mantiene el horno caliente para que los productos con levadura leven antes de hornearlos.

Para programar la función LEVAR:

- 1 Utilice la bandeja B o C para levar.
- 2 Presione la tecla **Proof**.
- 3 Presione la tecla **START**.

Visualización en pantalla (ejemplo):



Horno inferior únicamente



Horno superior e inferior al mismo tiempo

- 4 Cuando el levado haya finalizado, presione la tecla **Lower CLEAR/OFF**.

! NOTA

- Para evitar que la temperatura del horno baje y el tiempo de levado sea mayor, no abra la puerta del horno innecesariamente. Controle los productos panificados para evitar que leven en exceso.
- No utilice el modo de levado para calentar comida o mantenerla caliente. La temperatura de levado del horno no es suficiente para mantener comidas a temperaturas seguras. Use la función **CALENTAR** para mantener la comida caliente.
El levado no funcionará cuando el horno esté por encima de los 125°F. **Hot** se mostrará en la pantalla.

FAVORITOS (LDG3036ST / LDG3036BD / LDG3037ST Horno inferior)

Mediante esta función se llegan a grabar y recordar hasta tres diferentes ajustes.

La función de ajuste de FAVORITO puede llegar a usarse con la función TIEMPO DE COCINADO. Esta función no funcionará con alguna otra función incluyendo la función TIEMPO DE INICIO.

1 Para fijar la función FAVORITOS

- 1) Ponga la comida en el horno.
- 2) Presione el botón **Favorite** para seleccionar la categoría de comida.
La temperatura predeterminada aparecerá en la pantalla y COOK parpadeará.

Categoría de selección	Presione Favoritos	Temperatura predeterminada (puede cambiar)	Falla de operación
Pan	Presione Favorite una sola vez.	375°F	Horneado
Carne	Presione Favorite dos veces.	325°F	Convección asado
Pollo	Presione Favorite tres veces.	350°F	Convección asado

- 3) Presione los botones numéricos para fijar la temperatura del horno deseada. Esta temperatura será grabada y recordada la siguiente vez.
- 4) Presione el botón **START**. El tono de precalentamiento sonará tres veces cuando el horno haya alcanzado la temperatura programada.

! NOTA

- Solamente la temperatura seleccionada será grabada y no el tiempo de cocinado.
- Si la temperatura del horno es cambiada, está será grabada.
- La temperatura grabada no se borra si ocurre una falla en la corriente eléctrica.

SABBAT (Horno superior e inferior)

El modo SABBAT es típicamente utilizado en las vacaciones o el Sabbath Judío. Cuando el modo SABBAT esté activado, el horno no se apagará hasta que se desactive el modo SABBAT. En el modo SABBAT, todas las teclas de función, excepto por las teclas **Upper CLEAR/OFF** y **Lower CLEAR/OFF**, están inactivas.

5b aparecerá en la pantalla del horno.

! NOTA

- Si la luz del horno está ENCENDIDA y el modo SABBAT se encuentra activado, la luz del horno permanecerá ENCENDIDA hasta que el modo SABBAT se APAGUE. Si necesita que la luz del horno esté APAGADA, asegúrese de APAGAR la luz del horno antes de activar el modo SABBAT.
- El modo SABBAT solo puede utilizarse mientras se hornea (modo HORNEAR) ya sea en el horno superior, inferior, o en ambos.
- Puede utilizar la opción COCCIÓN CON TEMPORIZADOR en el otro horno mientras el horno superior o inferior está activado. Consulte "COCCIÓN CON TEMPORIZADOR" en la sección "Cómo usar el horno".

Para configurar el modo SABBAT:

- 1 Presione la tecla **Bake**.
- 2 Utilizando las teclas numéricas, ingrese la temperatura deseada.
- 3 Presione la tecla **START**.
- 4 Presione y mantenga presionada la tecla **Setting** durante tres segundos.

Visualización en pantalla (ejemplo)



Horno superior únicamente

Horno inferior únicamente



Horno superior e inferior al mismo tiempo

! NOTA

- Para cancelar la función HORNEAR, presione las teclas **Upper CLEAR/OFF** o **Lower CLEAR/OFF** en cualquier momento.
- Para cancelar el modo SABBAT, presione y mantenga presionada la tecla **Setting** por 3 segundos.

Para cambiar la temperatura mientras se encuentra en modo SABBAT (sin sonidos ni cambios en pantalla):

- 1 Presione la tecla **Bake** del horno superior o inferior.
- 2 Usando las teclas numéricas, ingrese la temperatura deseada.
- 3 Presione la tecla **START**.

! NOTA

Habrá una demora de 15 segundos antes de que la unidad reconozca el cambio de temperatura.

CUIDADO Y LIMPIEZA

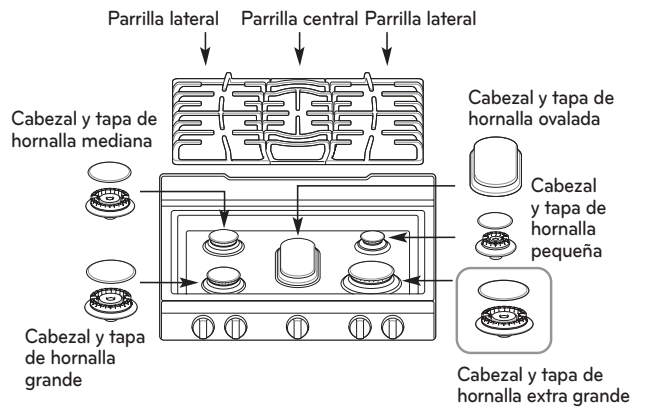
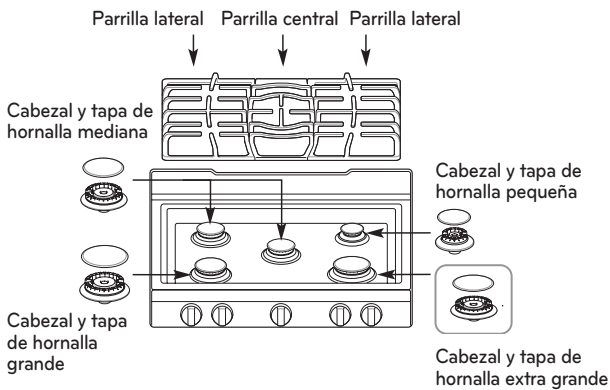
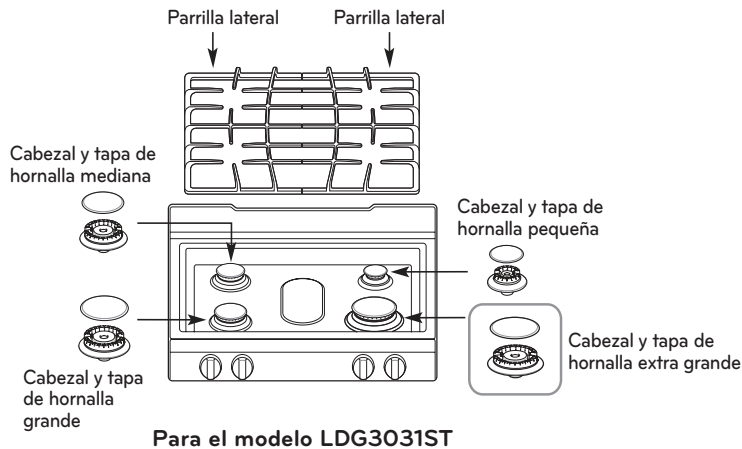
Hornalla a gas de la superficie

⚠ PRECAUCIÓN

- NO limpie este artefacto con blanqueadores.
- Para prevenir quemaduras, espere hasta que la cocina se haya enfriado antes de tocar cualquiera de sus partes.

Cómo extraer y volver a colocar las hornallas a gas de la superficie

Las parrillas y tapas/cabezales de las hornallas pueden extraerse para limpiarlos.



	Hornalla general
La tapa de la hornalla está colocada correctamente.	
La tapa de la hornalla NO está colocada correctamente.	

Cómo limpiar los cabezales/tapas de las hornallas

Para lograr una llama pareja y completa, las hendiduras de los cabezales de las hornallas deben estar siempre limpias. Los cabezales de las hornallas y la tapa de la hornalla pueden levantarse.

- Lave las tapas de las hornallas con agua caliente y jabón, y enjuague con agua limpia.
- Cualquier derrame sobre o alrededor de un electrodo debe limpiarse cuidadosamente.
- Para quitar comida quemada, sumerja las hornallas en una solución de detergente suave y agua caliente durante 20-30 minutos. Para manchas resistentes, use un cepillo de dientes.
- Las hornallas no funcionarán adecuadamente si los puertos o electrodos de las hornallas están tapados o sucios.
- Las tapas y cabezales de las hornallas deben limpiarse con frecuencia, especialmente luego de producirse derrames.
- Las hornallas no encenderán si no tienen la tapa puesta.

Luego de limpiar los cabezales/tapas de las hornallas

Quite cualquier exceso de agua y luego deje que se sequen bien. Vuelva a colocar los cabezales y tapas de las hornallas sobre los electrodos de la cocina, en las ubicaciones correctas de acuerdo a su tamaño. Asegúrese de que el agujero del cabezal de la hornalla se encuentra ubicado sobre el electrodo.

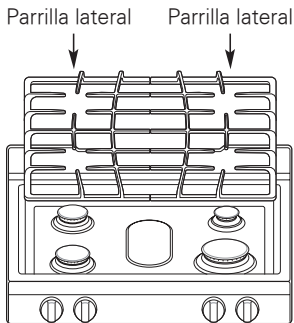


PRECAUCIÓN

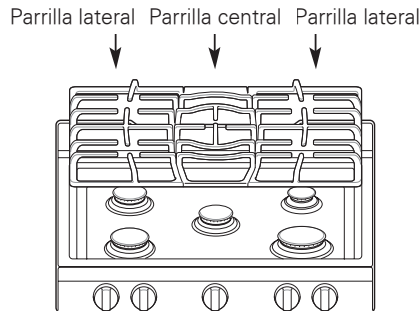
- **NO** golpee los electrodos. Hacerlo podría dañarlos.
- **NO** utilice esponjas de acero o polvos limpiadores para limpiar las hornallas.

Parrillas de las hornallas

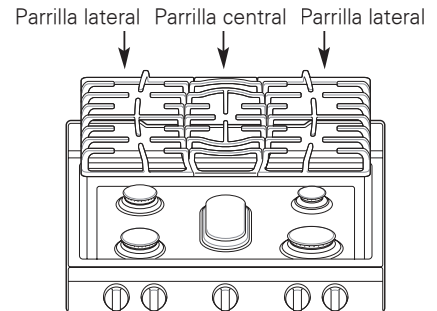
La estufa contiene tres parrillas separadas de estilo profesional. Para lograr su máxima estabilidad, estas parrillas solo deben ser utilizadas cuando estén en la posición correcta. Las dos parrillas laterales pueden intercambiarse de izquierda a derecha y del frente hacia atrás. La parrilla central puede intercambiarse del frente hacia atrás.



Para el modelo LDG3031ST



Para el modelo LDG3035S



Para el modelo LDG3036ST / LDG3036BD / LDG3037ST



NOTA

No deje encendida ninguna hornalla durante un largo período de tiempo sin que haya ninguna batería de cocina sobre la parrilla. El acabado de la parrilla puede saltarse si no hay ninguna batería que absorba el calor.

Cómo limpiar las parrillas de las hornallas

- No levante las parrillas hasta que se hayan enfriado.
- Las parrillas deben limpiarse con regularidad, y luego de producirse derrames.
- Lave las parrillas con agua caliente y jabón, y enjuague con agua limpia.
- Las parrillas son aptas para lavavajillas.
- Luego de limpiar las parrillas, deje que se sequen completamente; luego, colóquelas en su posición correcta sobre las hornallas.



PRECAUCIÓN

NO coloque ninguna parrilla en el horno durante el modo de auto-limpieza.

Superficie de la estufa

Para evitar quemaduras, no limpie la superficie de la estufa hasta que se haya enfriado. Los alimentos con alto contenido ácido o los alimentos con alto contenido de azúcar pueden manchar la superficie si se dejan reposar en ésta. Lave y enjuague los alimentos derramados apenas la superficie se haya enfriado. Para otros derrames tales como salpicaduras de grasa y/o aceite, etc., lave con agua y jabón cuando la superficie se haya enfriado. Luego, enjuague y lustre con un trapo seco.

! NOTA

No levante la superficie de la estufa. Levantar ésta puede ocasionar daños o el funcionamiento inadecuado de la estufa.

Superficies de acero inoxidable

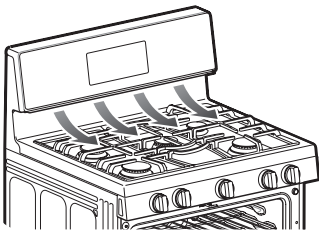
Para consultar dónde comprar lustradores o limpiadores para artefactos de acero inoxidable, o para localizar un distribuidor cerca suyo, sírvase comunicarse a nuestra línea gratuita de atención al cliente: **1-800-243-0000**, o visite nuestro sitio web en: **www.lg.com**

! NOTA

- No utilice esponjas de acero; rayarán la superficie.
- Para limpiar la superficie de acero inoxidable, utilice agua con abundante jabón, o un limpiador o lustrador de acero inoxidable.
- Limpie siempre en la dirección del acabado de la superficie metálica.

Conductos de ventilación del horno

Los orificios de ventilación se encuentran en la parte trasera de la estufa, en la parte superior e inferior de la puerta del horno, y en la parte inferior de la estufa.



! NOTA

No obstruya los conductos y orificios de ventilación del aparato. Éstos permiten la entrada y salida de aire necesarias para que el aparato funcione apropiadamente, con la combustión correcta.

Panel de control

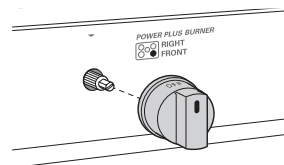
Para evitar que se active el panel de control durante la limpieza, desenchufe el artefacto. Limpie las salpicaduras con un trapo húmedo y limpiador de vidrios. Quite la suciedad más profunda con agua tibia y jabón. No utilice abrasivos de ningún tipo.

Panel frontal y perillas

Lo más aconsejable es limpiar el panel frontal luego de cada uso del horno. Para limpiarlo, utilice un trapo húmedo con agua tibia y jabón, o una solución de 50% vinagre y 50% agua. Para enjuagar, use agua limpia y seque con un trapo suave.

! NOTA

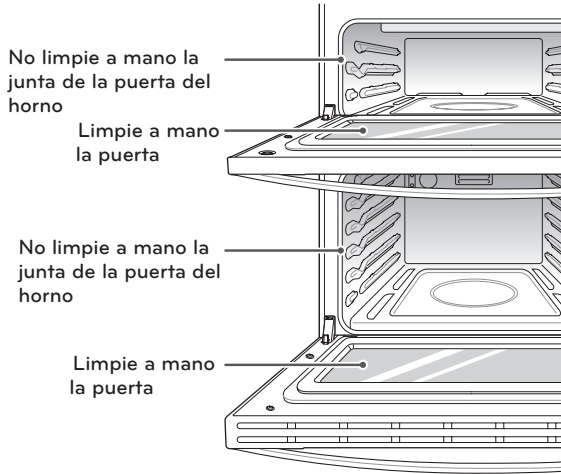
- No utilice limpiadores abrasivos, limpiadores líquidos fuertes, esponjas plásticas o limpiadores para hornos en el panel frontal. Si lo hace, dañará su acabado.
- No intente doblar las perillas tirando de ellas hacia arriba o hacia abajo, o colgando repasadores u otros objetos de ellas. Esto puede dañar el mango de la válvula de gas.
- Las perillas de control pueden quitarse para una fácil limpieza.
- Para limpiar las perillas, asegúrese de que se encuentren en la posición de "OFF" (APAGADO) y tire de ellas para extraerlas.
- Para volver a colocarlas, asegúrese de que la perilla esté en la posición "OFF" (APAGADO) centrada hacia arriba, y deslice la perilla directamente sobre el vástago.



! NOTA

Para prevenir rayaduras, no utilice limpiadores abrasivos en ninguno de estos materiales.

Puerta del horno



- Utilice agua y jabón para limpiar la puerta del horno en profundidad. Enjuague bien. **NO** sumerja la puerta en agua.
- Puede utilizar un limpiador para vidrios sobre el vidrio externo de la puerta del horno. **NO** rocíe agua o limpiador de vidrios sobre las ventilaciones de la puerta.
- **NO** utilice limpiadores para horno, polvos limpiadores o materiales de limpieza abrasivos para limpiar la parte exterior de la puerta del horno.
- **NO** limpie la junta de la puerta del horno. La junta de la puerta del horno está hecha de un material entretejido que es esencial para que quede bien sellada. Debe tenerse cuidado de no refregar, dañar o quitar esta junta.

! NOTA

No utilice limpiadores o materiales de limpieza abrasivos sobre la parte exterior de la puerta del horno. Si lo hace, puede dañarla.

Cómo extraer y volver a colocar las puertas

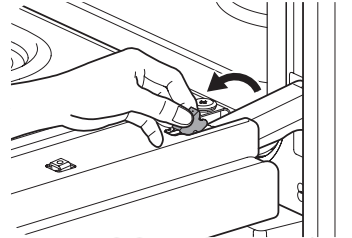
No cierre la puerta del horno hasta que todas los estantes del horno estén en su lugar.

! PRECAUCIÓN

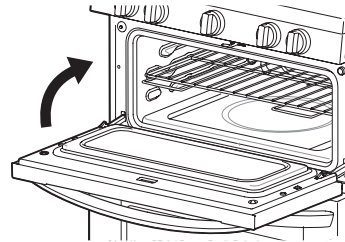
- Tenga cuidado al quitar y levantar la puerta.
- **NO** levante la puerta de la manija.
- **NO** golpee el vidrio con ollas, sartenes u otros objetos.
- Rayar, golpear o presionar el vidrio puede debilitar su estructura, causando un mayor riesgo de rotura en un futuro.

Cómo extraer la puerta del horno superior.

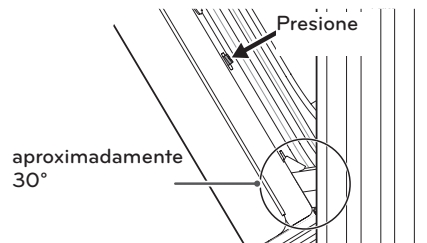
- 1 Abra la puerta por completo. Levante los seguros de la bisagra hacia el marco del horno hasta que hagan tope.



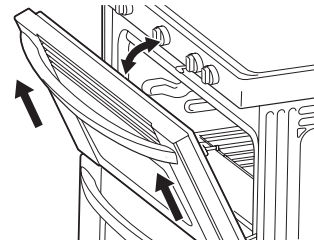
- 2 Cierre la puerta a aproximadamente 30 grados.



- 3 Presione los botones para liberar cada bisagra a ambos lados de la puerta.

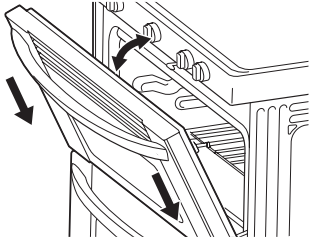


- 4 Levante la puerta hasta que se salga de la bisagra.

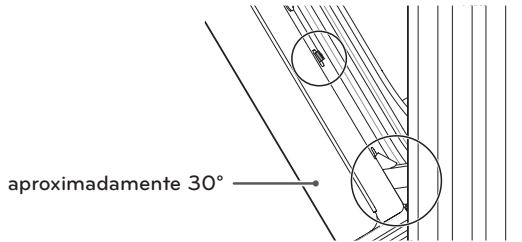


Cómo volver a colocar la puerta del horno superior

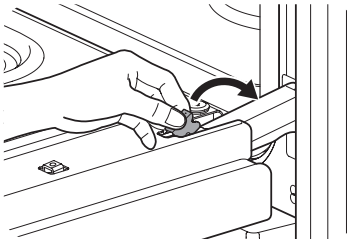
- 1 Asegúrese de que las bisagras estén alineadas a una posición de 30 grados.



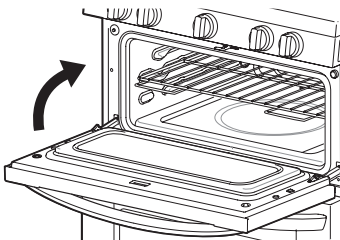
- 2 Deslice la puerta hacia las bisagras hasta que escuche un sonido de encastre y que los botones de liberación se hayan ajustado.



- 3 Abra la puerta por completo. Presione los seguros de la bisagra contra la misma.

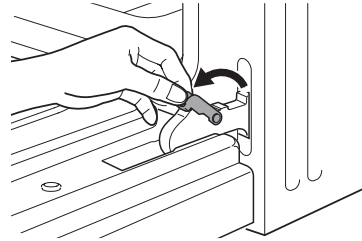


- 4 Cierre la puerta del horno.

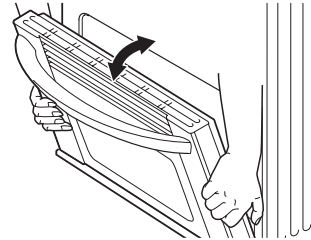


Cómo quitar la puerta del horno inferior

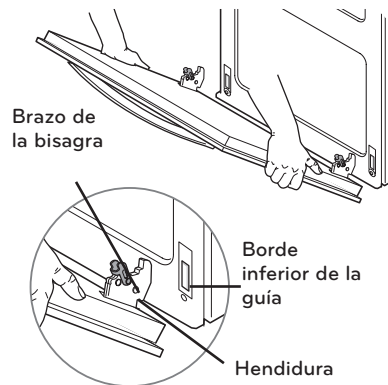
- 1 Abra la puerta por completo. Levante los seguros de la bisagra hacia el marco del horno hasta que hagan tope.



- 2 Cierre la puerta hasta la posición correcta para extraerla (aproximadamente a cinco grados).

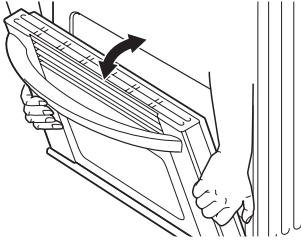


- 3 Levante la puerta y sáquela hasta que el brazo de la bisagra salga de la guía. Coloque la puerta sobre el piso.

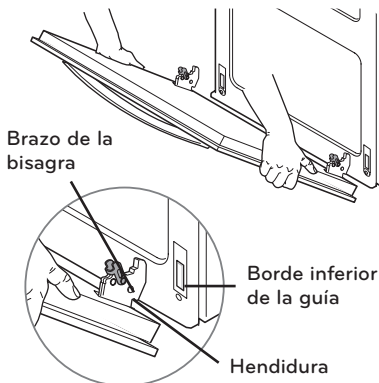


Cómo volver a colocar la puerta del horno inferior.

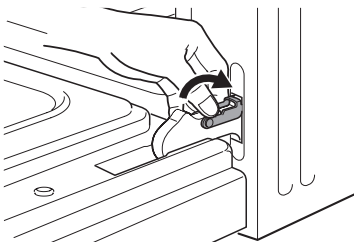
- 1 Tome firmemente ambos lados de la puerta por la parte superior y cierre la puerta hasta la posición correcta para extraerla (aproximadamente a cinco grados).



- 2 Coloque la hendidura del brazo de la bisagra en el borde inferior de la guía de la bisagra



- 3 Abra la puerta por completo. Presione los seguros de la bisagra contra el marco frontal de la cavidad del horno hasta la posición de cerrado. Cierre la puerta del horno.



! NOTA

Si la puerta no se abre por completo, significa que la hendidura no está correctamente colocada en el borde inferior de la guía.

Cómo limpiar el interior del horno

Guía de limpieza

Nivel de suciedad	Configuración de ciclo
Cavidad del horno ligeramente sucia	Auto limpieza de 2 horas
Cavidad del horno moderadamente sucia	Auto limpieza de 3 horas
Cavidad del horno muy sucia	Auto limpieza de 4 horas

AUTO LIMPIEZA (Horno superior e inferior)

El ciclo de AUTO LIMPIEZA utiliza temperaturas más elevadas que las de cocción para limpiar la cavidad del horno. Es posible que vea algo de humo y sienta olor durante los primeros minutos de la limpieza. Esto es normal y disminuirá a lo largo del proceso. También puede aparecer humo si el horno está muy sucio. Durante la auto-limpieza, el lugar de la cocina debe estar bien ventilado para minimizar los olores de la limpieza. La AUTO LIMPIEZA del horno superior e inferior no puede funcionar de manera simultánea.

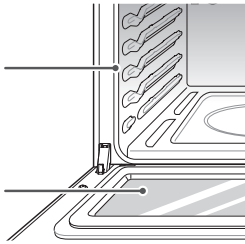
! PRECAUCIÓN

- **NO deje a los niños pequeños sin supervisión cerca del aparato.** Durante el ciclo de auto limpieza, la parte exterior del aparato puede estar muy caliente al tacto.
- **Si tiene un pájaro como mascota, muévelo a otro cuarto bien ventilado.** Algunos pájaros son extremadamente sensibles a los vapores que se generan durante el ciclo de auto limpieza de cualquier estufa.
- **NO cubra las paredes del horno, bandejas, parte inferior, ni ninguna otra parte con papel de aluminio ni con ningún otro material.** Hacerlo afectará la distribución del calor, producirá malos resultados al hornear, y causará un daño permanente al interior del horno (el papel de aluminio se derretirá y se pegará a la superficie interior del horno).
- **NO fuerce la apertura del horno.** Esto puede dañar el sistema de cierre automático de la puerta. Tenga cuidado al abrir la puerta del horno luego del ciclo de auto limpieza. Párese a un costado del horno al abrir la puerta para permitir que el aire caliente o el vapor salgan. El horno puede todavía estar muy caliente.
- **No toque el elemento para asar del horno hasta que se haya enfriado por completo.**

Antes de comenzar la AUTO LIMPIEZA

No limpie a mano la junta de la puerta del horno

Limpie a mano la puerta



- Quite las bandejas del horno, asadera, rejilla para asar, elementos de cocina, papel de aluminio y cualquier otro material del horno.
- La cocina deberá estar bien ventilada para minimizar los olores provenientes de la limpieza.
- Si ejecuta la auto limpieza en uno de los hornos, el otro horno no podrá utilizarse.
- Limpie cualquier derrame excesivo en la parte inferior del horno.
- Asegúrese de que la cubierta de la lámpara de luz del horno se encuentra en su lugar y que la luz esté apagada.
- La luz del horno no puede encenderse durante un ciclo de auto limpieza. La luz del horno no puede encenderse hasta que la temperatura del horno se haya enfriado a menos de 500°F (260°C) luego de que finalice el ciclo de auto limpieza.
- Podrán aparecer líneas delgadas en la porcelana ya que pasó por un proceso de calentado y enfriado. Esto es normal y no afectará el rendimiento.

! NOTA

- Limpie el marco del horno y la puerta con agua caliente y jabón. Enjuague bien.
- No limpie la junta de la puerta del horno. La junta de la puerta del horno está hecha de un material entretejido que es esencial para que quede bien sellada. Debe tenerse cuidado de no refregar, dañar o quitar esta junta.
- No abra la puerta del horno hasta que el ciclo de auto limpieza haya terminado.
- La puerta del horno puede estar extremadamente caliente. No toque la puerta del horno hasta que se haya enfriado.
- Es posible que vea algo de humo y sienta olor durante los primeros minutos de la limpieza. Esto es normal.
- A medida que el horno se calienta, es posible que escuche sonidos de partes de metal que se expanden y contraen. Esto es normal.
- No podrá iniciarse el ciclo de auto limpieza si la función de Bloqueo del horno se encuentra activa.

Para programar la auto limpieza

- 1 Presione la tecla **Upper Self Clean** o **Lower Self Clean**.

El horno utiliza por defecto la auto limpieza recomendada de tres horas para un horno moderadamente sucio. Presione dos veces para hacer una auto limpieza de dos horas y tres veces para una auto limpieza de cuatro horas.

- 2 Presione la tecla **START**.

Una vez que se haya programado la auto limpieza, la puerta del horno se bloqueará automáticamente y se mostrará **⓪** en la pantalla. No se podrá abrir la puerta del horno hasta que el horno se haya enfriado. El bloqueo se liberará automáticamente cuando el horno se haya enfriado.



PRECAUCIÓN

NO fuerce la puerta del horno para abrirla cuando se muestre **⓪**. La puerta del horno permanecerá bloqueada hasta que baje la temperatura. Si fuerza la puerta para abrirla, ésta se dañará.

PARA PROGRAMAR LA AUTO LIMPIEZA CON INICIO RETARDADO

(ejemplo: programar para las 3:00 AM/PM)

- 1 Presione la tecla **Upper Self Clean** o **Lower Self Clean**.

El horno utiliza por defecto la auto limpieza recomendada de tres horas para un horno moderadamente sucio. Presione dos veces para hacer una auto limpieza de dos horas y tres veces para hacer una auto limpieza de cuatro horas.

- 2 Presione la tecla **Start Time**.

- 3 Utilice el teclado numérico para ingresar la hora del día en la que desea que el horno comience el ciclo de auto limpieza (por ej. **3, 0, 0**).



NOTA

El tiempo de inicio de la auto limpieza con inicio retardado solo puede programarse 11 horas y 59 minutos por adelantado. Para programarla 12 a 24 horas por adelantado, consulte "Cómo cambiar el modo horario del reloj."

- 4 Presione la tecla **START**.

Una vez que se haya programado la auto limpieza, la puerta del horno se bloqueará automáticamente y se mostrará **⓪** en la pantalla. No podrá abrir la puerta del horno hasta que el horno se haya enfriado. El bloqueo se liberará automáticamente cuando el horno se haya enfriado.



NOTA

Puede ser necesario cancelar o interrumpir un ciclo de auto limpieza debido a humo excesivo o fuego en el horno.

Para cancelar la función de Auto limpieza, presione la tecla

Upper CLEAR/OFF o **Lower CLEAR/OFF**.

Luego de la Auto limpieza

- Puede notar algo de ceniza blanca en el horno. Límpiela con un trapo húmedo luego de que se enfríe el horno.
- Si el horno no quedó limpio luego de un ciclo de limpieza, repita el ciclo.
- Si los estantes del horno quedaron en el interior y no se deslizan suavemente luego del ciclo de limpieza, aplique a los estantes y a sus soportes un poco de aceite vegetal para que se deslicen con mayor facilidad.

EasyClean™

El nuevo horno de LG con tecnología EasyClean™ le otorga dos opciones de limpieza para el interior de su estufa. La función EasyClean™ toma ventaja de la nueva tecnología de esmalte de LG para ayudar a remover suciedades sin químicos severos, y funciona tan solo usando AGUA por tan solo 20 minutos a bajas temperaturas para ayudar a soltar suciedades LIJERAS antes de ser limpiadas manualmente.

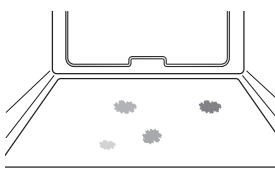
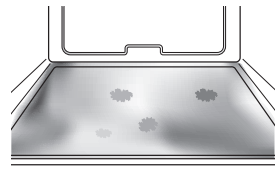
Mientras que EasyClean™ es rápido y efectivo para pequeñas y LIJERAS suciedades, la función de auto-limpieza (Self Clean) puede ser usada para remover suciedades PESADAS acumuladas. La intensidad y alto calor del ciclo de auto-limpieza (Self Clean) puede tener como resultado humo que hará que se requiera abrir ventanas para proveer ventilación. En comparación con el proceso de auto-limpieza más intensa (Self Clean), su horno LG le ayudará a limpiar con un MENOR CALOR, MENOR TIEMPO, y prácticamente SIN HUMO O GASES.

Cuando sea necesario, su estufa sigue ofreciendo la opción de auto-limpieza (Self Clean) durante más tiempo, recomendada para la limpieza completa del horno, suciedad acumulada y difícil de remover.

BENEFICIOS DE EasyClean™

- Ayuda a aflojar suciedad ligera antes de su limpieza manual.
- EasyClean™ solo necesita agua sin productos químicos de limpieza.
- Mejora su experiencia de auto-limpieza (Self Clean)
 - Minimiza la necesidad de auto-limpieza (Self Clean)
 - **Reduce la cantidad de humos y olores**
 - Se puede utilizar un tiempo más corto de auto-limpieza (Self Clean)

CUANDO USAR EasyClean™

Métodos de Limpieza Sugeridos	Ejemplos de Suciedad del Horno	Patrones de Suciedad	Tipo de Suciedad	Alimentos comunes que pueden ensuciar su Horno
EasyClean™		Pequeñas Gotas o Manchas	Queso u otros ingredientes	Pizza
		Salpicadura Ligera	Manteca / Grasas	Steak a la Parrilla
				Pescado Asado
Self Clean*		Salpicadura Moderada o Excesiva	Manteca / Grasas	Asados de Carne Baja Temperatura
		Gotas o Manchas	Relleno o Suciedad a base de azúcar	Pasteles o Tartas
			Crema o Salsa de Tomate	

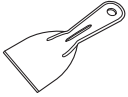
* El ciclo de auto-limpieza (Self Clean) se puede utilizar para suciedad que se ha construido con el tiempo.

CONSEJOS DE LIMPIEZA

- Permita que el horno se enfríe a temperatura ambiente antes de usar el ciclo EasyClean™. Si la cavidad de su horno esta por arriba de los 150°F (65°C), "OVEN IS HOT - PLEASE WAIT" aparecerá en la pantalla y el ciclo EasyClean™ no se activará hasta que la cavidad se enfríe totalmente.
- Una espátula de plástico se puede utilizar para desprender trozos o desechos antes y durante la limpieza del horno.
- Usando el lado áspero de una esponja abrasiva puede ayudar a quitar las manchas de quemado mejor que una esponja suave o una toalla.
- Algunas esponjas, como las de espuma de melamina, disponibles en su tienda local también puede ayudar a mejorar la limpieza.
- La estufa debe estar nivelada para asegurar que toda la superficie de la parte inferior del horno sea cubierta por agua al principio del ciclo EasyClean™.
- Para mejores resultados use agua purificada o agua filtrada. El agua de la llave puede dejar depósitos minerales en la parte inferior.
- La suciedad horneada durante muchos ciclos de cocinado será más difícil de remover mediante el ciclo EasyClean™.
- No abra la puerta del horno durante el ciclo EasyClean™. El agua en el horno no se calentará totalmente al abrirse la puerta.
- Es mejor usar la función SelfClean para áreas difíciles de alcanzar como el fondo de la cavidad.

GUÍA DE INSTRUCCIÓN EasyClean™

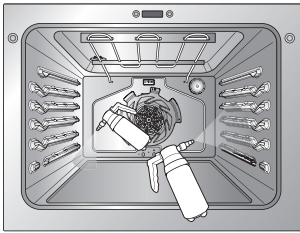
1. Retire bandejas y accesorios del horno.
2. Talle y remueva cualquier resto quemado con la espátula de plástico.



Espátulas de Plástico Sugeridas:

- Paleta de plástico duro
- Espátula de plástico de cocina
- Espátula de plástico para pintura
- Tarjeta de crédito antigua

3. Llène el rociador con 1 ¼ de taza (10 oz o 300 ml) de agua y úselo para rociar completamente las superficies internas del horno.



4. Use al menos ¼ de taza (2 oz o 50 ml) de agua para saturar completamente la suciedad en las paredes y esquinas del horno.
5. Rocíe o vierta la restante 1 taza (8 oz o 250 ml) de agua sobre el centro de la base de la cavidad. El desnivel en la parte inferior debe estar completamente cubierto de tal manera que las suciedades queden sumergidas. Añada agua si es necesario.

! NOTA

Use el ajuste de niebla en la botella con atomizado para una mejor cobertura. 1 1/4 taza completa (10 oz o 300ml) de agua se debe utilizar para cada cavidad del horno. No rocíe agua directamente sobre la puerta. Si lo hace, goteará agua y caerá en el piso.

6. Cierre la puerta del horno.
Presione el botón **EasyClean™**.
Presione el botón **START**.

! NOTA

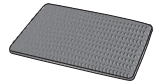
Para los modelos de estufa con horno doble, el horno superior está diseñado para trabajar sin calor. Es normal que el horno superior no caliente durante el ciclo EasyClean.

! PRECAUCIÓN

- Es mejor usar guantes de goma durante la limpieza del horno para prevenir accidentes inesperados como quemaduras y lastimaduras.
- Durante el ciclo de EasyClean™, la parte inferior del horno se caliente lo suficiente como para causar quemaduras. Espere hasta que el ciclo termine (20 minutos) antes de limpiar el interior de la superficie del horno. El no seguir esta indicación puede llegar a causar quemaduras.
- No empuje hacia abajo la puerta de vidrio directamente cuando limpie el horno. El vidrio de la puerta puede debilitarse y romperse con facilidad bajo cualquier mínimo impacto.

7. Un tono sonará al final del ciclo de 20 minutos. Presione el botón **CLEAR OFF** para borrar la pantalla y el tono.
8. Después del ciclo de limpieza y durante la limpieza a mano, suficiente agua debe permanecer en la base del horno de tal manera que todas las suciedades queden sumergidas completamente. Añada agua si es necesario. Ponga una toalla en el suelo enfrente del horno para capturar cualquier líquido que se derrame durante la limpieza a mano de su horno. Si usted está limpiando la cavidad superior en un horno doble, lo mejor es cubrir los huecos en la parte superior de la puerta del horno inferior con una toalla para capturar cualquier líquido que se derrame durante la limpieza manual.

9. Limpie la cavidad del horno inmediatamente después del ciclo EasyClean™ frotando con una esponja mojada contra ralladuras o una fibra. (El lado fibroso no dañará el acabado superficial), algo de agua podría derramarse dentro de las ventanas de la base durante la limpieza, sin embargo el agua será atrapada por una cacerola debajo de la cavidad y no dañará los quemadores.



! NOTA

NO use estropajos de acero, estropajos abrasivos o limpiadores ya que estos materiales pueden dañar.

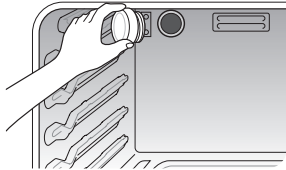
10. Una vez que la cavidad del horno se encuentre limpia, remueva el exceso de agua con una toalla limpia y seca. Vuelva a colocar las bandejas y accesorios del horno.
11. Si algunas manchas ligeras permanecen, repita los pasos anteriores, asegurándose de emparar a fondo las áreas sucias. Si quedan manchas rebeldes después de múltiples ciclos EasyClean™, ejecute el ciclo de auto-limpieza (Self Clean). Asegúrese de que la cavidad del horno está vacío de bandejas y accesorios del horno, y que la superficie de la cavidad del horno está seca antes del ciclo de auto-limpieza (Self Clean). Consulte la sección Self Clean del manual de usuario para obtener más detalles.

! NOTA

- Si la función EasyClean™ comienza sin agua, presione el botón CLEAR/OFF para terminar el ciclo. Espere a que al estufa se enfríe a temperatura ambiente antes de rociar o poner agua dentro de la cavidad y comenzar otro ciclo.
- Cuando termine el ciclo de EasyClean™, el empaque de la cavidad puede estar mojado. Esto es normal. No limpie el empaque.
- Si depósitos minerales se quedan en la parte de abajo del horno después de la limpieza, use un trapo o esponja sumergida previamente en vinagre para removerlos.

Cómo cambiar la luz del horno

La luz del horno es una bombilla estándar para artefactos de 40 vatios (watts). Se encenderá cuando la puerta del horno esté abierta. Cuando la puerta del horno esté cerrada, presione la tecla **Oven Light** para prender o apagar la luz. (LDG3037ST: Presione la tecla UpperLight o LowerLight para prender o apagar la luz.)



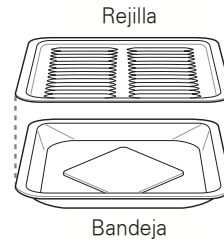
Para reemplazar la luz del horno:

- 1 Desenchufe el artefacto o desconecte la energía eléctrica.
- 2 Gire la cubierta de vidrio de la bombilla en la parte trasera del horno en sentido contrario a las agujas del reloj para extraerla.
- 3 Gire la bombilla en sentido contrario a las agujas del reloj para extraerla del porta lámpara.
- 4 Inserte una nueva bombilla y gírela en sentido de las agujas del reloj.
- 5 Inserte la cubierta de vidrio de la bombilla y gírela en sentido de las agujas del reloj.
- 6 Enchufe el artefacto o reconecte la energía eléctrica.

! ADVERTENCIA

- Asegúrese de que el horno y la bombillas estén fríos.
- **DESCONECTE** la energía eléctrica del artefacto en el fusible principal o en el panel de corte de circuitos. Si no lo hace, podría sufrir lesiones personales graves, o aún la muerte o la electrocución.

Cómo limpiar la bandeja y la rejilla para asar (Se vende por separado)



! NOTA

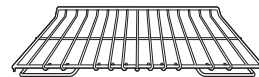
Extraiga la bandeja y la rejilla de asar del horno antes de iniciar el ciclo de auto limpieza.

- 1 Luego de asar, quite la bandeja de asar del horno. Quite la rejilla de la bandeja.
- 2 Vierta cuidadosamente la grasa de la bandeja a un contenedor adecuado.
- 3 Lave y enjuague la bandeja y la rejilla para asar con agua caliente con una esponja con jabón o con una esponja plástica. Si la comida se ha quemado, rocíe la rejilla con un limpiador (mientras esté caliente) y cúbrala con toallas de papel húmedas o repasador húmedo. Si pone la bandeja en remojo, la comida quemada se quitará. Tanto la bandeja como la rejilla de asar pueden limpiarse con limpiadores comerciales para hornos. Tanto la bandeja como la rejilla de asar son aptas para lavarse en lavavajillas.

Bandejas del horno

Quite las bandejas del horno antes de iniciar el ciclo de auto limpieza.


- 1 La comida derramada sobre las bandejas puede causar que las mismas se atoren. Limpie con un limpiador abrasivo suave.
- 2 Enjuague con agua limpia y seque.



! NOTA

Si las bandejas se limpian usando el ciclo de auto limpieza (no recomendado), el color se tornará levemente azulado y el acabado se opacará. Luego de que termine el ciclo de auto limpieza, y el horno se haya enfriado, friegue los costados de las bandejas con papel de cera o con un trapo con una pequeña cantidad de aceite. Esto hará que las bandejas se deslicen más fácilmente por las guías.

ANTES DE SOLICITAR SERVICIO TÉCNICO

Síntomas y preguntas	Posible causa/ solución
Las hornallas superiores no encienden o no prenden de manera pareja.	<ul style="list-style-type: none"> Asegúrese de que el enchufe eléctrico está correctamente conectado a un tomacorriente con conexión a tierra. Extraiga las hornallas y límpielas. Verifique que no haya comida quemada o grasa en el área de los electrodos. Consulte "Cómo limpiar los cabezales/tapas de las hornallas" en la sección "Cuidado y limpieza". Asegúrese que las partes de la hornalla están instaladas correctamente. Consulte "Cómo limpiar los cabezales/tapas de las hornallas" en la sección "Cuidado y limpieza".
La llama de la hornalla es muy grande o amarilla.	Si el artefacto está conectado con gas LP, contáctese con el técnico que haya instalado el artefacto o que haya hecho la conversión del tipo de gas.
Las hornallas de la superficie prenden pero el horno no.	Asegúrese de que la válvula de cierre de gas del horno, ubicada detrás del artefacto, se encuentre totalmente abierta.
La comida no se hornea o asa adecuadamente.	<ul style="list-style-type: none"> Configuración incorrecta del control del horno. Consulte "Cómo usar el panel de control" en la sección "Cómo usar". Posición incorrecta de la bandeja. Consulte "Cómo extraer y volver a colocar la bandeja del horno" o "Posición del estante" en la sección "Cómo usar". La batería de cocina utilizada es inapropiada. Consulte "Asar" u "Hornear" en la sección "Cómo usar". El termostato del horno necesita ajustarse. Consulte "Cómo ajustar la temperatura" en la sección "Instrucciones de funcionamiento". El reloj no está configurado correctamente. Consulte "Cómo ajustar el reloj y el temporizador" en la sección "Instrucciones de funcionamiento". Se ha utilizado inapropiadamente papel de aluminio en el horno. Consulte "Cómo usar el horno".
La comida no se asa correctamente en el horno.	<ul style="list-style-type: none"> Configuración incorrecta de los controles del horno. Consulte "Cómo usar el panel de control" en la sección "Cómo usar". La puerta del horno no está cerrada. Consulte "Cómo usar el horno" en la sección "Cómo usar". Se usó papel de aluminio en la bandeja de asar y la rejilla para asar no queda bien colocada.
La temperatura del horno está demasiado caliente o demasiado fría.	El termostato del horno necesita ajustarse. Consulte "Cómo ajustar la temperatura" en la sección "Instrucciones de funcionamiento".
El reloj y el temporizador no funcionan.	<ul style="list-style-type: none"> Asegúrese de que el enchufe eléctrico está correctamente conectado a un tomacorriente con conexión a tierra. Reemplace el fusible o restablezca el interruptor del circuito. Configuración inadecuada de los control del horno. Consulte "Cómo ajustar el reloj y el temporizador" en la sección "Instrucciones de Funcionamiento".
La luz del horno no funciona.	<ul style="list-style-type: none"> La bombilla está floja o rota. Ajústela o reemplácela. El enchufe del artefacto no está completamente conectado al tomacorriente eléctrico. Asegúrese de que el enchufe eléctrico esté correctamente conectado a un tomacorriente con conexión a tierra.
La función de auto limpieza no funciona.	<ul style="list-style-type: none"> La temperatura del horno es demasiado elevada para iniciar la función de auto limpieza. Espere a que el artefacto se enfríe hasta la temperatura ambiente y reinicie los controles. Configuración inadecuada de los controles del horno. Consulte "Auto Limpieza" en la sección "Cuidado y limpieza".
Sonido de "chisporroteo" o "estallido".	Es el sonido del metal calentándose y enfriándose tanto durante las funciones de cocción como de limpieza. Esto es normal.
Demasiado humo durante el ciclo de auto limpieza.	Demasiada suciedad en el horno. Abra las ventanas para deshacerse del humo del ambiente. Presione la tecla ^{Upper} CLEAR/OFF o ^{Lower} CLEAR/OFF. Espere hasta que la luz  se apague antes de intentar abrir la puerta del horno. Limpie la suciedad en exceso y reinicie el ciclo de limpieza.
La puerta del horno no abre luego de un ciclo de auto limpieza.	La temperatura del horno es demasiado elevada. Espere hasta una hora a que se enfríe.

Síntomas y preguntas	Posible causa/ solución
La puerta del horno no quedó limpia luego del ciclo de auto limpieza.	<ul style="list-style-type: none"> Configuración incorrecta de los controles del horno. Consulte "Auto Limpieza" en la sección "Cuidado y Limpieza". El horno estaba muy sucio. Limpie los derrames grandes antes de iniciar el ciclo de auto limpieza. Los hornos muy sucios pueden necesitar una auto limpieza más larga o dos ciclos de auto limpieza.
"CLOSE DOOR TO CONTINUE BROILING" (CIERRE LA PUERTA PARA CONTINUAR ASANDO) o "DOOR OPENED" (PUERTA ABIERTA) aparece en la pantalla.	Cierre la puerta del horno.
El mensaje "DOOR LOCKED" (PUERTA BLOQUEADA) aparece cuando desea cocinar.	La puerta del horno está bloqueada porque la temperatura interior del horno es demasiado elevada. Presione la tecla ^{Upper} CLEAR/OFF o ^{Lower} CLEAR/OFF.
El control del horno emite un sonido y muestra un código de error "F".	<ul style="list-style-type: none"> Presione la tecla ^{Upper} CLEAR/OFF o ^{Lower} CLEAR/OFF y espere una hora. Controle el cierre de la válvula principal del gas o la válvula de cierre del gas del horno y solicite servicio técnico. Desenchufe el aparato durante cinco minutos y luego vuelva a enchufarlo. Si vuelve a aparecer el código de error de función, solicite servicio técnico.
Las bandejas del horno se limpiaron en un ciclo de auto limpieza.	Aplique una pequeña cantidad de aceite vegetal en una toalla de papel y pásela por los bordes de las bandejas del horno. No use lubricantes en aerosol.
El reloj parpadea.	Se ha producido un corte o aumento en la energía eléctrica. Reinicie el reloj. Si el horno estaba en uso, debe reiniciarlo presionando la tecla ^{Upper} CLEAR/OFF o ^{Lower} CLEAR/OFF. Reinicie el reloj y cualquier función de cocción.
Emana olor a "quemado" o a "aceite" de la ventilación.	Esto es normal en un horno nuevo. Para acelerar el proceso, programe un ciclo de auto limpieza de un mínimo de tres horas. Consulte "Auto Limpieza" en la sección "Cuidado y limpieza".
Hay olor fuerte.	El olor del aislamiento alrededor del interior del horno es normal en los primeros días de uso.
Ruido del ventilador.	El ventilador de convección puede llegar a encenderse y apagarse automáticamente. Esto es normal.
El ventilador de convección no está funcionando. (modelos con función de convección).	El horno no ha alcanzado la temperatura de precalentado. El ventilador comenzará a funcionar automáticamente una vez que el horno alcance la temperatura de precalentado.
La chispa de los quemadores no enciende apropiadamente después de limpiar la superficie de la estufa.	Asegúrese de que las cabezas y tapas de las hornallas estén completamente secas y debidamente colocadas.
Al encender un solo quemador, un sonido de tipo clic se escucha desde todos los quemadores.	Esto es normal. El encendido de chispa electrónica de los quemadores causa un sonido de tipo clic. Todos los encendidos de chispa en la estufa se activarán al encender un solo quemador.
Mi estufa sigue sucia después de ejecutar el ciclo EasyClean™. ¿Qué más debo hacer?	El ciclo EasyClean™ sólo ayuda a aflojar la suciedad ligera del horno de su estufa con el fin de ayudar a la limpieza manual de su horno. Esto no elimina automáticamente todas las manchas después del ciclo . Después de ejecutar el ciclo EasyClean™ se requiere tallar el horno de su estufa.

Síntomas y preguntas	Posible causa/ solución
He intentado tallar mi horno después de ejecutar EasyClean™, pero algunas manchas permanecen intactas. ¿Qué puedo hacer?	La función EasyClean™ es eficiente cuando la suciedad se encuentra totalmente empapada y sumergida en el agua antes de iniciar el ciclo. Si la suciedad no está suficientemente empapada en agua, se puede afectar negativamente el rendimiento de limpieza. Repita el proceso EasyClean™ con suficiente agua. Grasas a base de azúcar y algunas manchas de grasa son especialmente difíciles de limpiar. Si quedan manchas rebeldes, use la función de auto-limpieza (Self Clean) para limpiar a fondo el horno.
La suciedad en la pared de mi horno no se limpia. ¿Cómo puedo tener mis paredes limpias?	La suciedad de las paredes laterales y trasera de la estufa del horno pueden ser más difícil de empapar por completo con agua. Repita el proceso EasyClean™ con más de 1/4 taza (2 oz) se recomienda rociar con agua por medio de atomizador.
La función EasyClean™ limpiara toda la suciedad y las manchas por completo?	Depende del tipo de suciedad. Grasas a base de azúcar y algunas manchas de grasa son especialmente difíciles de limpiar. Además, si las manchas no están suficientemente empapadas en agua, entonces esto también puede afectar negativamente el rendimiento de la limpieza. Si las manchas difíciles no son limpiadas, utilice la función de autolimpieza. Consulte la sección de auto-limpieza (Self Clean) de su manual de propietario.
¿Hay algún truco para limpiar algunas de las manchas rebeldes?	Se recomienda raspar la suciedad con una espátula de plástico antes y durante la limpieza manual. Se recomienda saturar la suciedad con agua. Sin embargo, ciertos tipos de suciedad son más difíciles de limpiar que otros. Para estas manchas rebeldes, se recomienda la función de autolimpieza (Self Clean). Consulte la sección Self Clean del manual de usuario para obtener más detalles.
¿Es seguro si el agua se derrama en las rejillas inferiores del horno durante la limpieza?	No hay problema si cae algún derrame de agua en las rejillas inferiores del horno (Estufa de Gas). Sin embargo, se recomienda tratar de no deramar demasiada agua en los conductos de ventilación.
¿Es seguro si mi quemador de asado o el elemento calefactor se moje durante EasyClean™?	Sí. El quemador para asar o elemento calefactor puede obtener un poco de humedad durante la limpieza. Sin embargo, rociar directamente sobre el quemador de asado y elementos del calentador no es necesario ya que durante su uso regular se auto-limpian.
¿Es necesario utilizar los 1-1/4 taza (10 oz) de agua para EasyClean™?	Sí. Es muy recomendable que 1 taza (8 oz) de agua se rocíe o se riegue en la parte inferior y 1/4 taza adicional (2 oz) de agua se rocíe en las paredes y otras superficies manchadas para saturar completamente la suciedad y obtener un mejor resultado de limpieza.
Veo "humo" que sale de la chimenea de la hornalla de mi estufa durante EasyClean™. Es esto normal?	Esto es normal. Esto no es "humo". En realidad, es vapor de agua (vapor) proveniente del agua en la cavidad del horno. A medida que el horno se calienta brevemente durante EasyClean™, el agua de la cavidad se evapora y se escapa a través de la chimenea de la hornalla de su estufa.
¿Con qué frecuencia debo usar EasyClean™?	EasyClean™ se puede realizar tantas veces como lo desee, EasyClean™ funciona mejor cuando el horno está LIGERAMENTE sucio como por ejemplo con LIGERAS salpicaduras de grasa y pequeñas gotas de queso. Consulte la sección EasyClean™ del manual de usuario para obtener más información.
¿Qué se requiere para EasyClean™?	Una botella con Atomizador llena de 1-1/4 taza de agua, espátula de plástico, un estropajo tipo almohadilla y una toalla. Usted no debe usar materiales abrasivos como estropajo de uso rudo o estropajos de acero.
Puedo correr el ciclo de EasyClean™ en ambos hornos al mismo tiempo?	Sí. Usted puede correr el ciclo de EasyClean en ambos hornos al mismo tiempo. Algunas partes del horno estarán calientes después de que el ciclo termine. Evite apoyarse o descansar sobre el vidrio de la puerta mientras limpia las cavidades del horno. Usted no puede correr el ciclo de Self Clean en ambos hornos al mismo tiempo.

GARANTÍA

LG Electronics Inc. reparará o reemplazará su producto, a elección de LG, si sus materiales o mano de obra son defectuosos bajo uso normal, durante el período de garantía establecido a continuación, el que entrará en vigencia a partir de la fecha de compra del producto por parte del consumidor original. Esta garantía limitada solo es válida para el comprador original del producto y tendrá vigencia solo cuando se utilice dentro de los EE.UU.

PERÍODO DE GARANTÍA	COMO SE PROVEE EL SERVICIO
Un año Desde la fecha de compra original.	Cualquier parte del horno que falle debido a defectos en los materiales o mano de obra. Durante este período de garantía de un año , LG también brindará, sin cargo , todos los servicios en el hogar y de mano de obra necesarios para reemplazar la parte defectuosa.

ESPAÑOL

ESTA GARANTÍA REEMPLAZA CUALQUIER OTRA GARANTÍA EXPRESA O IMPLÍCITA, INCLUYENDO CUALQUIER GARANTÍA DE COMERCIALIZACIÓN O IDONEIDAD PARA UN PROPÓSITO DETERMINADO. HASTA EL LÍMITE QUE SE REQUIERE POR LEY A CUALQUIER GARANTÍA IMPLÍCITA, ESTA GARANTÍA ESTÁ LIMITADA EN SU DURACIÓN AL PERÍODO DE GARANTÍA EXPRESA INDICADO MÁS ARRIBA. LG NO SERÁ RESPONSABLE POR NINGÚN DAÑO RESULTANTE, INDIRECTO, O INCIDENTAL DE NINGÚN TIPO, INCLUYENDO LA PÉRDIDA DE INGRESOS O GANANCIAS, EN RELACIÓN CON ESTE PRODUCTO. ALGUNOS ESTADOS NO PERMITEN LIMITACIONES EN LA DURACIÓN DE UNA GARANTÍA IMPLÍCITA O LA EXCLUSIÓN DE DAÑOS INCIDENTALES O RESULTANTES, POR LO TANTO DICHAS LIMITACIONES O EXCLUSIONES PUEDEN NO APLICARSE EN SU CASO.

ESTA GARANTÍA LIMITADA NO SE APLICA A:

1. Llamadas al servicio técnico para corregir la instalación de su artefacto, para brindarle instrucciones acerca de cómo usarlo, para reemplazar fusibles o cableado en su hogar, o para reemplazar bombillas a las que puede acceder el dueño.
2. Reparaciones cuando su artefacto se haya utilizado con un destino que no sea el normal de una casa de familia.
3. Recolección y entrega. Su artefacto está diseñado para poder repararse dentro del hogar.
4. Los daños resultantes de accidentes, alteraciones, mal uso, abusos, incendio, inundación, instalación inadecuada, actos de la naturaleza o uso de productos no aprobados por LG Corporation.
5. Reparaciones de partes o sistemas que resulten de modificaciones no autorizadas hechas al artefacto.
6. Reemplazo de partes o costos de mano de obra para unidades que se utilicen fuera de los Estados Unidos.
7. Cualquier costo de mano de obra durante el período de garantía limitada.

Esta garantía se extiende al comprador original para productos comprados para uso en el hogar dentro de los EE.UU. En Alaska, esta garantía excluye el costo del envío o visitas del servicio técnico a su hogar.

Algunos estados no permiten la exclusión o limitación de daños incidentales o resultantes, por lo tanto dichas limitaciones o exclusiones pueden no aplicarse a usted. Esta garantía le confiere derechos legales específicos, y usted puede también tener otros derechos que varían de estado a estado. Para conocer cuáles son sus derechos legales, consulte con su oficina local o estatal de asuntos del consumidor o con el Procurador General de su estado.

INFORMACIÓN DE ASISTENCIA AL CLIENTE:

Para probar su cobertura de garantía	Conserve la factura de venta del producto para probar la fecha en que lo compró. Deberá presentar la factura de venta en caso de recibir servicio técnico en garantía.
Para ubicar el centro de servicio técnico o distribuidor de ventas autorizado más cercano, o bien para obtener asistencia por el uso del producto, asistencia al cliente, o servicio técnico.	Comuníquese al 1-800-243-0000 (disponible las 24 horas, los 365 días del año) y elija la opción deseada del menú; o visite nuestro sitio web en: www.lg.com



LG Customer Information Center

1-800-243-0000 USA, Consumer User

1-888-542-2623 CANADA

Register your product Online!

www.lg.com