

FlushFit™ Top Control Dishwasher

FlushFit™ Design
 AutoVent™ Dry
 1 Hour Wash & Dry Cycle
 Dynamic Heat Dry™
 ThinQ® Auto Leak Detection
 SteamAssist
 LoDecibel™ Operation (44dB)
 Floor Status Indicator
 3rd Rack

AVAILABLE COLORS

SMUDGE RESISTANT STAINLESS STEEL

BLACK STAINLESS STEEL



Proactive Smart Alerts to Keep Your Appliances Running Smoothly

ThinQ Care

- Preventative Alerts help you stay a step ahead of potential issues to find proactive solutions before problems arise.
- Avoid preventable repairs and service calls with real-time diagnostics for a hassle-free experience.
- Integrated within LG's ThinQ app—a smart home hub for managing your smart devices and appliances.

CAPACITY

Total Place Settings	16
Upper Rack Dish Height Limit	7.1"
Lower Rack Dish Height Limit	12.5"

RACKS AND BASKETS

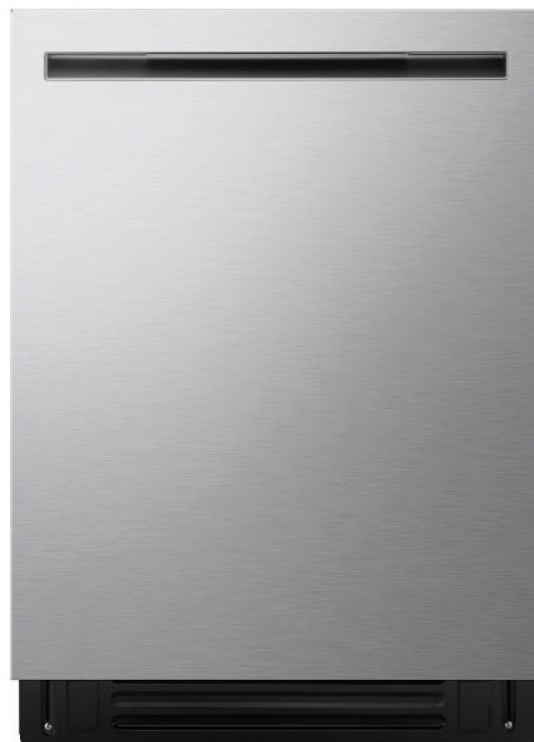
Cutlery Baskets	Yes
BPA-Free Nylon Coated Racks and Tines	Yes
Fold Down Tines	Upper: 3/4 Foldable Lower: Half Smart FD & Half Normal FD
Height Adjustable	Easy One Touch (3 Level)
Rack Handle / Deco	Yes
Rack Color (Body / Tine)	Dark Grey
Cuprack / Steamware Holder	Yes
Cuprack Color	Cup Rack (Dark Grey) / Rubber (Nobe Grey)
Gliding Type	Upper: Gliding Rail Lower: Normal Wheel 3rd Rack: Normal Rail

STYLE AND DESIGN

Control Panel Location	Top Control
Control Panel Material	ABS (Film Insert)
Touch Control	Yes
Tub Material	Smudge Resistant Stainless Steel
Handle	Pocket Handle
All Available Colors	Stainless Steel
Status Indicator	Mood Light
Remaining Time indicator	LED

FEATURES

Steam	Normal Steam
Spray Arm Color	Pearl Dark Grey
Lower Wash Arm	MAJ QuadWash™
Number of Spray Arms	3 (Top, Upper, Lower)
Quad Arm Body	Pearl Dark Grey
Nozzle Color	Orange
Stainless Steel Deco	Yes
SenseClean™ Wash System	Yes
Vario Wash	Yes
Detergent and Rinse-Aid Dispenser	Yes
Drying System	Dynamic Heat Dry with Auto Open Door



Number of Wash Cycles	5 (Auto, Heavy, Normal, 1Hr, Download Cycle)
Number of Options	6 (Steam, High Temp, Dry Boost, Delay Start, Control Lock, Remote, Wi-Fi (AP Mode))
End of Cycle Indicator	Yes (Beeper + END indication on display)
Hidden Water Heater	Yes
Safety Float Switch (Leaks)	Yes
Soil (Turbidity) Sensor	Yes
DirectDrive Motor™	Yes
LoDecibel™ Quiet Operation	44 dBA
Tub Insulation	Yes (Damping Sheet, Sound Absorbing Material)
BPA-Free Nylon Coated Racks and Tines	Yes
Anti-Bacterial Treatment (Drain hose)	Yes
Balanced Door	Yes

ThinQ® SMART FEATURES

Wi-Fi Enabled	Yes
ThinQ	Yes

POWER RATINGS

ENERGY STAR® Qualified	Yes
Most Efficient Energy Star	Yes
CEE Tier Level	1
Energy Use (kWh/Year)	220 kWh/Year
Water Use (Gallons/Cycle)	2.9

DIMENSIONS / CLEARANCES / WEIGHT

Product Dimensions (in) (W x H x D)	23 3/4" x 33 5/8" x 23 3/4"
Product Weight	88 lbs
Depth with Door Closed with Handle (in)	23 3/4"
Depth with Door Open (in)	48 1/2"
Clearances (WxDxH)	24" x 24" x 33 5/8"
Carton Dimensions (in) (W x H x D)	28 1/32" x 29 5/8" x 34 7/8"

LIMITED WARRANTY

Labor & Parts	1 Year
Control Board and Rack Parts	Control Board and Rack Parts 2 Years Stainless Tub and Door Liner 2 Years
Direct Drive Motor	10 Years

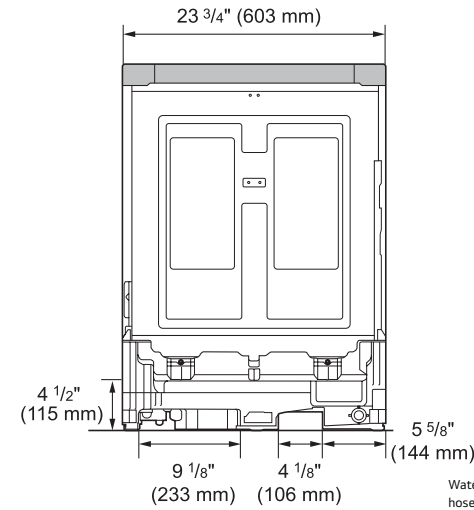
UPC CODES

LDNPM654S	048231349178
LDNPM654D	?

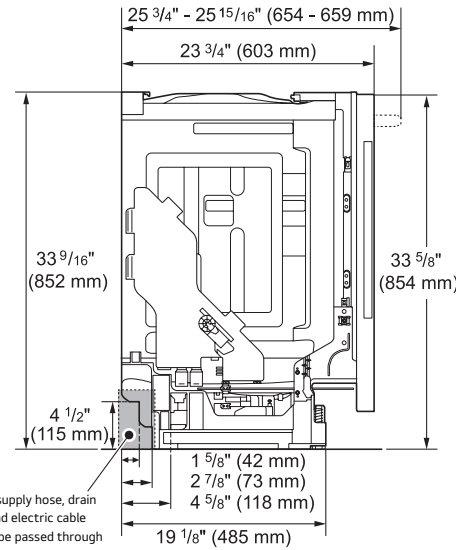
LDNPM654_

DIMENSION / CLEARANCES

Back View



Side View



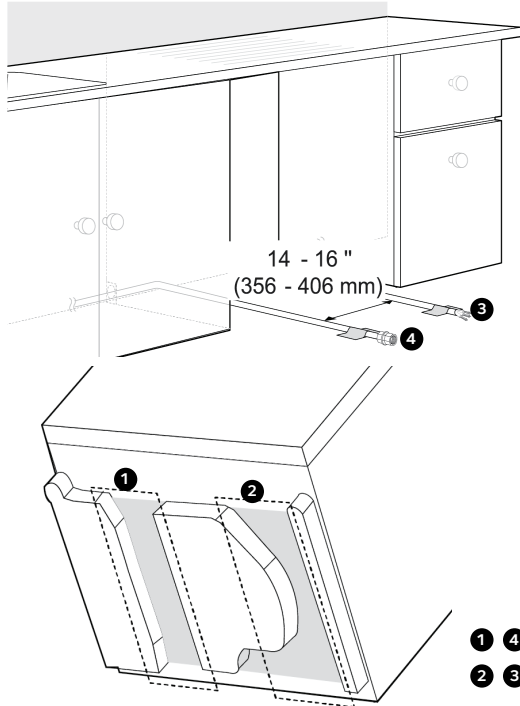
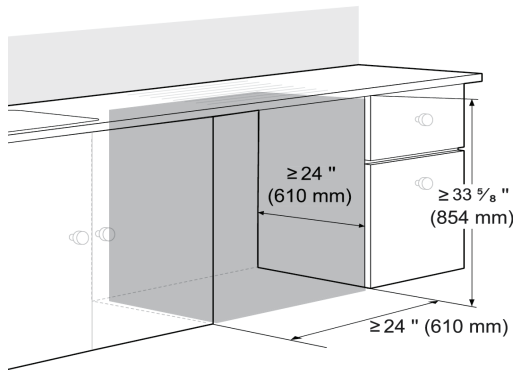
DIMENSIONS / CLEARANCES / WEIGHT

Product Dimensions (in) (W x H x D)	23 3/4" x 33 5/8" x 23 3/4"
Product Weight	88 lbs
Depth with Door Closed with Handle (in)	23 3/4"
Depth with Door Open (in)	48 1/2"
Clearances (WxDxH)	24" x 24" x 33 5/8"
Minimum Height	33 5/8"
Maximum Height	36"
Carton Dimensions (in) (W x H x D)	28 1/32" x 34 7/8" x 29 1/4"



* LG dishwashers are NSF certified when operated on the High Temp Cycle. Certification to NSF / ANSI Standard 184 for residential dishwashers.

DIMENSION / CLEARANCES



- 1 4 Water Supply Line
- 2 3 Electrical Cable

INSTALLATION NOTES

- This dishwasher is designed to fit a standard dishwasher opening. An opening may be needed on both sides to route plumbing and electrical connections.
- Select a location as close to the sink as possible for easy connections to water supply line, drain hose and electrical connection.
- To ensure proper drainage, install the dishwasher no more than 12 ft. (3.65 m) from the sink.
- The location must have sufficient space for the dishwasher door to open easily and provide at least 0.1" (2 mm) between the dishwasher and the cabinet sides.
- If installing the dishwasher in a corner, leave a minimum of 2" (50 mm) between the dishwasher and the adjacent wall. The adjacent wall must be free of obstructions.
- To allow for proper clearance of plumbing and electrical, use the template included with the literature to determine the clearance on the side of the cabinet where the cabinet meets the back wall. Using a 2 1/2" diameter hole saw, drill a hole in the target area as shown on the template.
- If an extension drain hose is required, use a 5/8" or 7/8" inside diameter, 2-3 ft. length hose and a coupler for connecting the two hose ends.
- For flush installations only, you may remove the cabinet brace inside the cabinet.

