

# LDNTH862S

## FlushFit Smart Top Control Dishwasher with 1-Hour Wash & Dry Cycle and BlastZone™ BottleWash

FlushFit Design

1-Hour Wash & Dry Cycle

BlastZone™ Bottle Wash

Height Adjustable 3rd Rack with Glide Rail

QuadWash® Pro

Dynamic Heat Dry™ with AutoVent Dry™

TrueSteam®

ThinQ® Auto Leak Detection

Floor Status Indicator

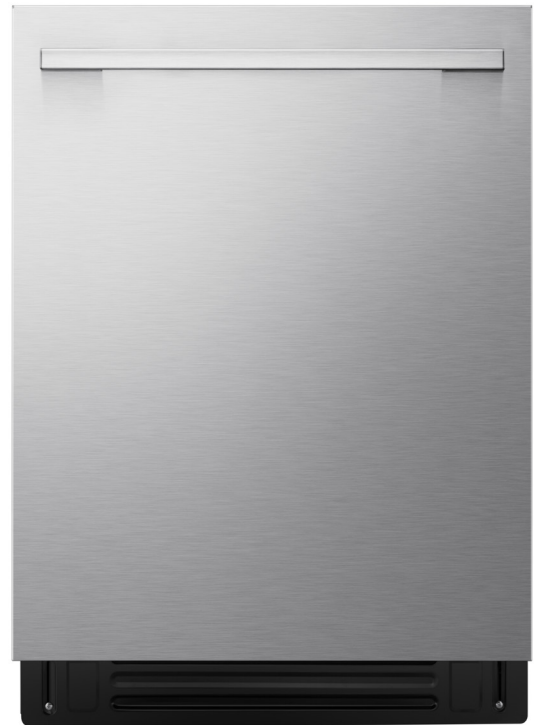
LoDecibel™ Operation (39 dB)



AVAILABLE COLORS



SMUDGE RESISTANT STAINLESS STEEL



KEY FEATURES

SMART APPLIANCE

PRODUCT FEATURES

### Proactive Smart Alerts to Keep Your Appliances Running Smoothly

## ThinQ Care

- Preventative Alerts help you stay a step ahead of potential issues to find proactive solutions before problems arise.
- Avoid preventable repairs and service calls with real-time diagnostics for a hassle-free experience.
- Integrated within LG's ThinQ app—a smart home hub for managing your smart devices and appliances.

#### CAPACITY

Total Place Settings	16
Upper Rack Dish Height Limit	7.1"
Lower Rack Dish Height Limit	12.5"

#### RACKS AND BASKETS

Cutlery Baskets	Yes
Fold Down Tines	Upper: All Foldable Lower: Half Smart FD & Half Normal FD
BPA-Free Nylon Coated Racks and Tines	Yes
Height Adjustable	Easy One Touch (3 Levels)
Rack Handle	Yes
Rack Color (Handle)	Dark Grey
Rack Color (Tine)	Dark Grey
Cup Rack	Yes
Cuprack Color	Cup rack (Dark Gray) Rubber (Noble Gray)
Gliding Type	Upper: Gliding Rail Lower: Gliding Wheel 3rd Rack: Gliding Rack

#### STYLE AND DESIGN

Control Panel Location	Top Control
Control Panel Material	ABS
Touch Control	Yes
Tub Material	Stainless Steel
Tub Light	Top Light
Handle	Bar Handle
All Available Colors	Smudge Resistant Stainless Steel
Status Indicators	Mood Light
Remaining Time indicator	LED

#### FEATURES

QuadWash Pro™	Yes
Quad Arm Body Color	Pearl Dark Grey
Quad Arm Nozzle Color	Orange
Spray Arm	Yes
Number of Spray Arms	3 (Top, Upper, Lower)
SenseClean™ Wash System	Yes
Vario Wash	Yes
Detergent and Rinse-Aid Dispenser	Yes
Drying System	Dynamic Heat Dry with AutoVent Dry

Number of Wash Cycles	5 (Auto, Heavy, Normal, 1-Hour, Download Cycle)
Number of Options	6 (Steam, High Temp, Dry Boost, AOD, Delay Start - Up to 12hrs, Remote)
End of Cycle Indicator	Yes (Beeper + END indication on display)
Hidden Water Heater	Yes
Safety Float Switch (Leaks)	Yes
Soil (Turbidity) Sensor	Yes
DirectDrive Motor™	Yes
LoDecibel™ Quiet Operation	39 dB
Tub Insulation	Yes (Damping Sheet, Sound Absorbing Material (felt), Base)
Anti-Bacterial Treatment (Drain hose)	Yes
Balanced Door	Yes

#### ThinQ® SMART FEATURES

Wi-Fi Enabled	Yes
ThinQ Care™	Yes
SmartDiagnosis™	Yes

#### POWER RATINGS

ENERGY STAR® Qualified	Yes
Energy Use (kWh/Year)	220 kWh/Year
Water Use (Gallons/Cycle)	2.9

#### DIMENSIONS / CLEARANCES / WEIGHT

Product Dimensions (in) (W x H x D)	23 3/4" x 33 5/8" x 23 3/4"
Product Weight	88.2 lbs
Depth with Door Closed with Handle (in)	23 3/4"
Depth with Door Open (in)	48 1/2"
Clearances (WxDxH)	24" x 24" x 33 5/8"
Minimum Height	33 5/8"
Maximum Height	36"
Carton Dimensions (in) (W x H x D)	28 1/32" x 29 1/4" x 34 7/8"

#### LIMITED WARRANTY

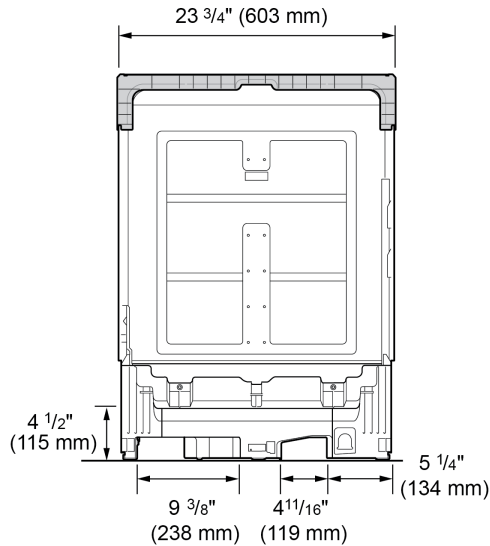
Labor & Parts	1 Year
Control Board and Rack Parts	Control Board and Rack Parts 2 Years Stainless Tub and Door Liner 2 Years
Direct Drive Motor	10 Years

#### UPC CODES

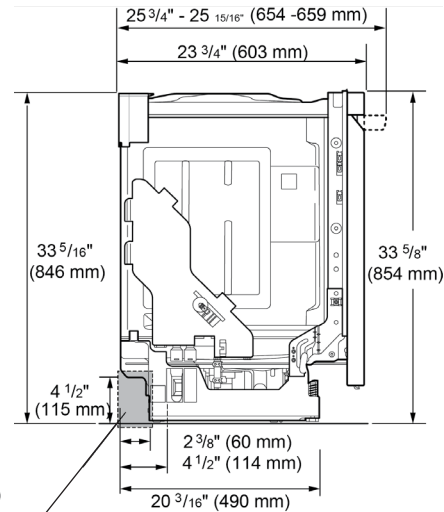
LDNTH862S	048231348140
-----------	--------------

## DIMENSION / CLEARANCES

Back View



Side View



Water supply hose, drain hose and electric cable should be passed through this area.

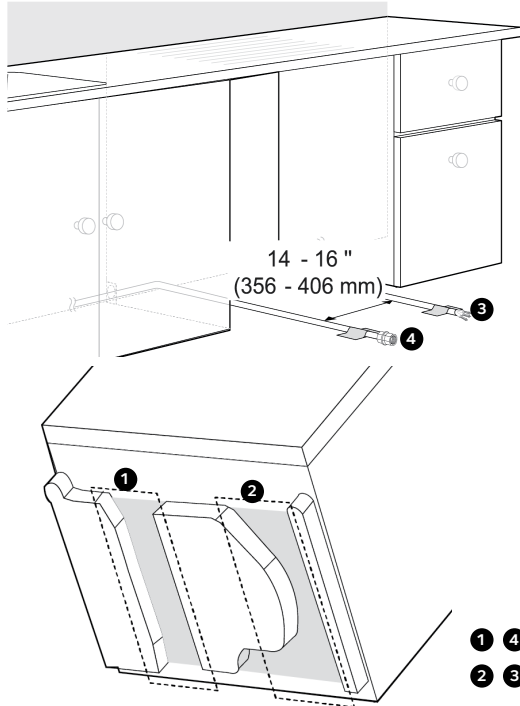
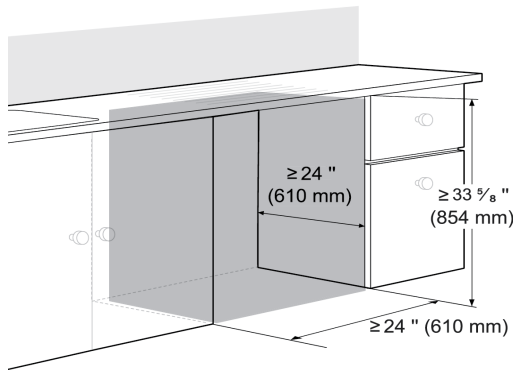
### DIMENSIONS / CLEARANCES / WEIGHT

Product Dimensions (in) (W x H x D)	23 3/4" x 23 3/4" x 33 5/8"
Product Weight	88.2 lbs
Depth with Door Closed with Handle (in)	23 3/4"
Depth with Door Open (in)	48 1/2"
Clearances (WxDxH)	24" x 24" x 33 5/8"
Minimum Height	33 5/8"
Maximum Height	36"
Carton Dimensions (in) (W x H x D)	28 1/32" x 29 1/4" x 34 7/8"



\* LG dishwashers are NSF certified when operated on the High Temp Cycle. Certification to NSF / ANSI Standard 184 for residential dishwashers.

## DIMENSION / CLEARANCES



- 1 4 Water Supply Line
- 2 3 Electrical Cable

## INSTALLATION NOTES

- This dishwasher is designed to fit a standard dishwasher opening. An opening may be needed on both sides to route plumbing and electrical connections.
- Select a location as close to the sink as possible for easy connections to water supply line, drain hose and electrical connection.
- To ensure proper drainage, install the dishwasher no more than 12 ft. (3.65 m) from the sink.
- The location must have sufficient space for the dishwasher door to open easily and provide at least 0.1" (2 mm) between the dishwasher and the cabinet sides.
- If installing the dishwasher in a corner, leave a minimum of 2" (50 mm) between the dishwasher and the adjacent wall. The adjacent wall must be free of obstructions.
- To allow for proper clearance of plumbing and electrical, use the template included with the literature to determine the clearance on the side of the cabinet where the cabinet meets the back wall. Using a 2 1/2" diameter hole saw, drill a hole in the target area as shown on the template.
- If an extension drain hose is required, use a 5/8" or 7/8" inside diameter, 2-3 ft. length hose and a coupler for connecting the two hose ends.
- For flush installations only, you may remove the cabinet brace inside the cabinet.

