

# CBIS3618B

## 36" Induction Cooktop

### Flex Cooking Zone

### 7" LCD Touch Screen

### Dual Zone Burner

### ThinQ® Technology

### 2-Year Limited Warranty



SUMMARY	
Series	LG Studio
Type	36" Induction Cooktop
No. of Burners	5
Color	Black
Design (Surface)	4 Bevels
CONTROL FEATURES	
Cooktop Control Type	Glass Touch
Display	7" TFT - LCD
Power Level Settings	9 or 17 Level + Boost
Control Location	Front - Center
COOKTOP FEATURES	
Cooktop Burner Type	Induction
No. of Burners	5 (Flexible Burner / 1 Dual / 2 Single)
Burner/Watts - Left Rear (Boost)	1850W (Boost 3700W) [240V] 1500W (Boost 3000W) [208V]
Burner/Watts - Left Front (Boost)	1850W (Boost 3700W) [240V] 1500W (Boost 3000W) [208V]
Burner/Watts - Right Rear (Boost)	1400W (Boost 1800W) [240V] 1150W (Boost 1450W) [208V]
Burner/Watts - Right Front (Boost)	1850W (Boost 3700W) [240V] 1500W (Boost 3000W) [208V]
Burner/Watts - Center (Boost)	(7") 1850W (Boost 3700W) (11") 3700W(Boost 6000W) [240V] (7") 1500W(Boost 3000W) (11") 3000W(Boost 4900W) [208V]
FUNCTION	
Red LED Bar indicator	SEA (Front each burner)
Kitchen Timer	Each Burner
Power Boost	Yes (5 Burners)
Simmer	Yes (4 Burners)
Melt	Yes (1 Burner, RR Burner)
Auto Pan Detection	Yes
Child Lock	Yes

APPEARANCE	
All Available Colors	Clear Glass, Black Print
ACCESSORIES	
Cleaner	Yes
SMART FEATURES	
ThinQ® (Wi-Fi Enabled)	Yes
Monitoring	Yes
Hood Connect	Yes
DIMENSIONS / CLEARANCES / WEIGHT	
Product (W x H x D)	36 5/8" x 3 9/16" x 21 1/16"
Cut-out (W x H x D)	34 3/8" x 5 5/8" x 19 13/16"
Packing (W x H x D)	39 59/64" x 5 63/64" x 24 51/64"
Product Weight (lbs)	48.06
Shipping Weight (lbs)	54.5
POWER/RATINGS	
Amp at 208/240V	41.6A / 44.4A
kW at 208/240V	8650W / 10650W
Requirements	208V/240V 60Hz
LIMITED WARRANTY	
Parts & Labor	2 Year
UPC CODES	
CBIS3618B	195174045732

# CBIS3618B

## 36" Induction Cooktop

### QUICK INSTALL & CLEARANCES

For full installation directions/clearances please refer to the corresponding User Manual and Installation Guide.

#### DIMENSIONS

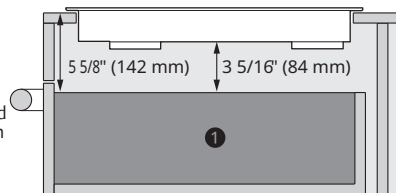
A	Width of upper plate	36 5/8"
B	Depth of upper plate	21 1/16"
C	Distance from bottom of upper plate to bottom of conduit	3 7/16"
D	Width of cooktop base	33 7/8"
E	Depth of cooktop base	19 5/16"
F	Distance from bottom of upper plate to bottom of cooktop base	2 5/16"
G	Height of conduit	1 1/8"
H	Distance from side edge of cutout to side of counter	≥ 1 1/8"
I	Width of cutout	≥ 34 3/8" ≤ 34 1/2"
J	Depth of cutout	≥ 19 13/16" ≤ 19 15/16"
K	Depth of bottom cabinets	24"
L	Distance from front of counter to front edge of cutout	≥ 2 3/16"
M	Distance from rear edge of cutout to nearest combustible surface	≥ 2 1/16"
N	Height below cutout (Empty space is needed underneath the cooktop for optimum performance.)	≥ 5 5/8"
O	Depth of overhead cabinets	≤ 13"
P	Clearance from top of cooking surface to bottom of overhead cabinets	≥ 30"
Q	Clearance from top of cooking surface to bottom of overhead cabinets	≥ 36"
R	Clearance from countertop to bottom of adjacent cabinets	≥ 18"
S	Distance from edge of cooktop to nearest combustible wall (either side of unit)	≥ 2"
T	Junction box (approximate location)	10"
U	Junction box (approximate location)	12"
Carton Dimensions (in) (W x H x D)		31 11/16" x 45 23/32" x 35 3/4"

#### Power / Ratings

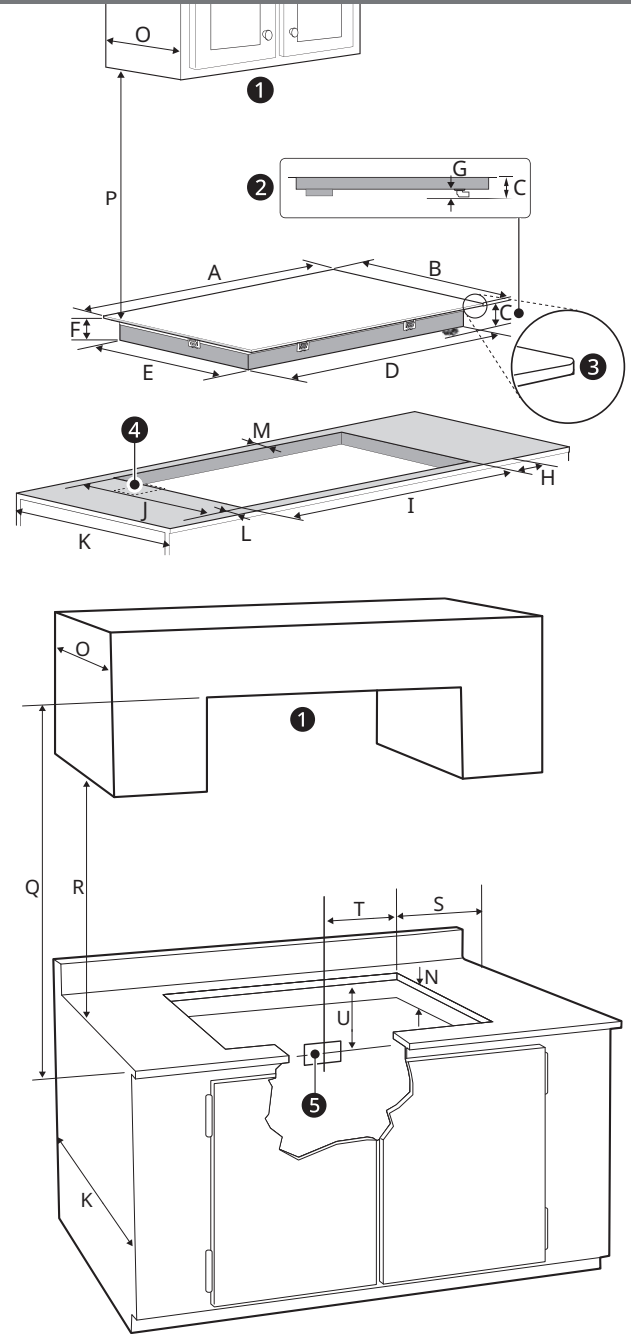
Amp at 208/240V	42.5A / 45.4A
kW at 208/240V	8850W / 10900W
Requirements	208V/240V 60Hz

#### CAUTION

- To eliminate the risk of burns or fire by reaching over heated surfaces, cabinet storage space located above the cooktop should be avoided. If cabinet storage is provided, risk can be reduced by installing a range hood that projects horizontally a minimum of 5" (127 mm) beyond the face of the cabinets.
- It is very important to keep 3 5/16" (84 mm) distance between the cooktop and a drawer or oven underneath it.



#### DIMENSIONS AND CLEARANCES



① Do not obstruct these areas.

② Right side

③ Radius: 3/8" (10 mm)

④ 4" X 8" (102 mm x 203 mm) opening to route armored cable if panel is present.

⑤ Approximate location of junction box

• All dimensions are stated in inches and millimeters (mm).

• Allow 2" (50 mm) space below the armored cable opening to clear the electric cable and allow space for installation of the junction box on the wall at the back of the cooktop.

• Thickness of glass: 3/16" (4 mm)

Scan to see the online manual

