

## 36" Induction Cooktop

- Induction Cooktop with 5 Elements
- Flex Cooking Zone
- Dual Zone Center Element
- 7" Color LCD Glass Touch Controls
- Power Boost Setting
- Proud or Flush Installation
- LG ThinQ® Technology (Wi-Fi)



### COLOR AVAILABILITY

- CBIS3618B – Black Glass

### COOKTOP FEATURES

Cooktop Type	Induction
Number of Elements	5 (Flexible Element / 1 Dual / 2 Single)
Element Size / Wattage	
Left Front	Flexible Element @ 240V - 1,850W (Boost 3,700W)
Left Rear	Flexible Element @ 240V - 1,850W (Boost 3,700W)
Center	Dual 11" / 7" @ 240V - 3,700W / 1,850W (Boost 6,000W / 3,700W)
Right Front	@ 240V - 2,100W (Boost 3,700W)
Right Rear	@ 240V - 1,400W (Boost 1,800W)
Red LED Bar Indicator	Yes (Each Element)
Kitchen Timer	Yes (Each Element)
Power Boost	Yes (Each Element)
Simmer	Yes (4 Elements)
Melt	Yes (Right Rear Element)
Auto Pan Detection	Yes
Auto Shut Off	Yes
Power Settings	9 or 17 Level + Boost

### CONTROLS

Cooktop Control Type	7" Color LCD Glass Touch (Front)
Control Lock	Yes

### CONVENIENCE

ADA Compliant	Yes
---------------	-----

### SMART FEATURES

Wi-Fi Enabled	Yes
ThinQ® Technology	Yes
ThinQ Care	No
Monitoring	Yes
Hood Connect	Yes

### FINISHES AND APPEARANCE

Cooktop Surface	Black Glass
Cooktop Frame / Trim	Frameless

### TECHNICAL SPECS

Required Power Supply	240 / 208 V, 60 Hz, 3-Wire or 4-Wire
Minimum Circuit Rating	50 Amp
kW Rating at 208V	8.85 kW
kW Rating at 240V	10.9 kW
Power Cord / Cable	Not Included
Power Cable Location	Right Rear

### INCLUDED ACCESSORIES

Cooktop Cleaner

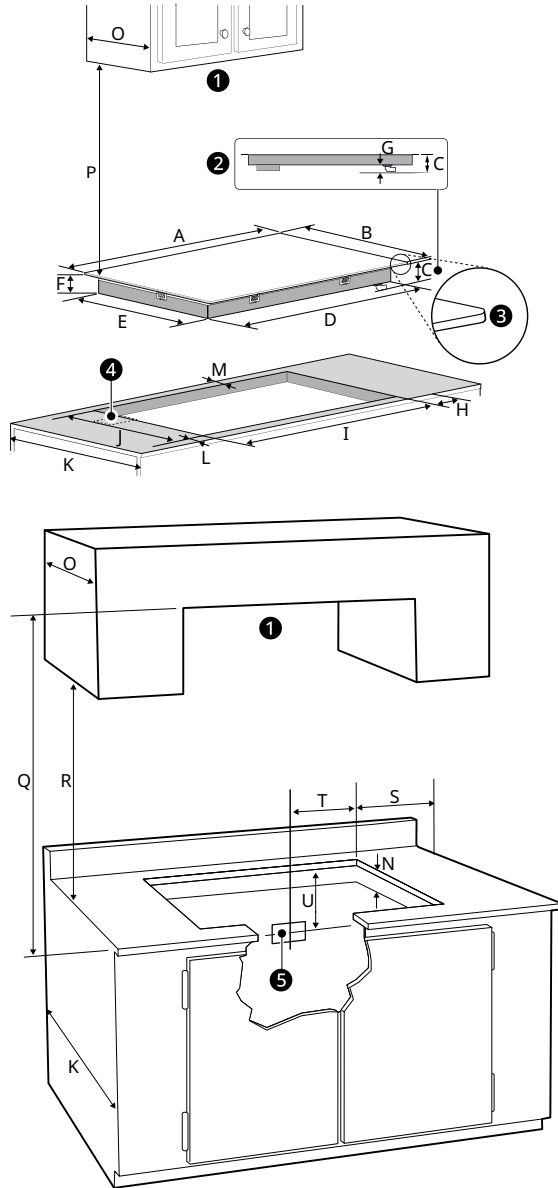
### DIMENSIONS / CLEARANCES / WEIGHTS

Product Dimensions (W x H x D)	36 5/8" x 3 9/16" x 21 1/16"
Cutout Dimensions (W x D)	34 3/8" x 5 5/8" x 19 13/16"
Carton Dimensions (W x H x D)	39 59/64" x 5 63/64" x 24 51/64"
Approx. Weight (Product / Carton)	48.06 lbs. / 54.5 lbs.

### LIMITED WARRANTY

Parts and Labor	2 Years
-----------------	---------

## DIMENSIONS / CLEARANCES



### INSTALLATION NOTES

- All dimensions are stated in inches and millimeters (mm).
- Allow 2" (50 mm) space below the armored cable opening to clear the electric cable and allow space for installation of the junction box on the wall at the back of the cooktop.
- Make sure the cabinets and wall coverings around the cooktop can withstand the temperatures up to 200°F generated by the cooktop.
- Thickness of glass: 3/16" (4 mm)

**CAUTION:** To eliminate the risk of burns or fire by reaching over heated surfaces, cabinet storage space located above the cooktop should be avoided. If cabinet storage is provided, risk can be reduced by installing a range hood that projects horizontally a minimum of 5" (127 mm) beyond the face of the cabinets.

- It is very important to keep 3 5/16" (84 mm) distance between the cooktop and a drawer or oven underneath it. See diagram 1 at right.

## DIMENSIONS / CLEARANCES

1	Do not obstruct these areas.	
2	Right side	
3	Radius: 3/8" (10 mm)	
4	4" x 8" (102 mm x 203 mm) opening to route armored cable if panel is present.	
5	Approximate location of junction box	
A	Width of upper plate	36 5/8" (930 mm)
B	Depth of upper plate	21 1/16" (535 mm)
C	Distance from bottom of upper plate to bottom of conduit	3 7/16" (87 mm)
D	Width of cooktop base	33 7/8" (860 mm)
E	Depth of cooktop base	19 5/16" (490 mm)
F	Distance from bottom of upper plate to bottom of cooktop base	2 5/16" (58 mm)
G	Height of conduit	1 1/8" (29 mm)
H	Distance from side edge of cutout to side of counter	≥ 1 1/8" (28 mm)
I	Width of cutout	≥ 34 3/8" (873 mm) ≥ 34 1/2" (876 mm)
J	Depth of cutout	≥ 19 13/16" (503 mm) ≥ 19 15/16" (506 mm)
K	Depth of bottom cabinets	24" (610 mm)
L	Distance from front of counter to front edge of cutout	≥ 2 3/16" (55 mm)
M	Distance from rear edge of cutout to nearest combustible surface	≥ 2 1/16" (52 mm)
N	Height below cutout (Empty space is needed underneath the cooktop for optimum performance.)	≥ 5 5/8" (142 mm)
O	Depth of overhead cabinets	≥ 13" (330 mm)
P	Clearance from top of cooking surface to bottom of overhead cabinets	≥ 30" (762 mm)
Q	Clearance from top of cooking surface to bottom of overhead cabinets	≥ 36" (914 mm)
R	Clearance from countertop to bottom of adjacent cabinets	≥ 18" (457 mm)
S	Distance from edge of cooktop to nearest combustible wall (either side of unit)	≥ 2" (50 mm)
T	Junction box (approximate location)	10" (254 mm)
U	Junction box (approximate location)	12" (305 mm)

