

LRG3060ST

5.4 cu. ft. Gas Single Oven Range

5.4 cu.ft Large Capacity
 SuperBoil™ 17K BTU Burner
 EasyClean®



AVAILABLE COLORS



STAINLESS STEEL

CAPACITY		DRAWER FEATURES		DIMENSIONS/CLEARANCES/WEIGHTS	
Oven Capacity (cu. ft.)	5.4	Type	Storage	Shipping Weight (lbs)	210
Storage Drawer Capacity (cu.ft.)	0.8 (No Handle)	CONTROL		Product Weight (lbs)	189
COOKTOP		Cooktop Control Type	Front Control Knobs	Cabinet Width (in)	30"
Burner/BTU - Left Rear	9100 / 9100	Oven Control Type	Keypad	Overall Depth (in) - including handle	28 3/4"
Burner/BTU - Right Rear	5000 / 5000	Display	LED Green	Overall Height (in)	47 7/16"
Burner/BTU - Left Front	12000 / 9500	Language	English	Overall Width (in)	30"
Burner/BTU - Right Front	17000 / 10000 (SuperBoil™)	Clock	12 hr or 24 hr (option)	Oven Interior Dimensions (in) (W x H x D)	24 1/2" x 19 1/2" x 19 3/8"
Center (Warming Zone) (BTU)	8000 / 8000 (Oval)	Kitchen Timer	Yes	Height to Cooking Surface (in)	36"
Burner Simmer / BTU - Left Rear	1100	Timed Cook	Yes	Drawer Dimensions (in) (W x H x D)	22 3/16" x 4 1/2" x 16 3/8"
Burner Simmer / BTU - Right Rear	650	Temperature Unit of Measure	Fahrenheit / Celsius	Carton Dimensions (in) (W x H x D)	32 1/2" x 51 9/16" x 30 1/2"
Burner Simmer / BTU - Left Front	1100	Cooking Complete Reminder Volume	1. Hi 2.Lo 3.Off	POWER/RATINGS	
Burner Simmer / BTU - Right Front	1200	APPEARANCE		Amp Rating at 240V	4.5A (120VAC, 60Hz)
Center (Warming Zone)	2300	All Available Colors	Stainless Steel	ACCESSORIES	
OVEN FEATURES		Knobs	Silver	Standard Rack	2
Broil Element (BTU)	15500 / 12500	Handle	Stainless Steel	Spray Bottle	Yes
Bake Element (BTU)	19000 / 18000 (LNG/LPG)	Oven Door Feature	WideView™	Scouring Pad	Yes
Oven Modes	Bake, Broil, Proof, Warm	Cooktop Finish	Black Porcelain	Conversion Kit	Yes
Oven Control Features	Keypad	SMART FEATURES		LIMITED WARRANTY	
EasyClean®	Yes	SmartDiagnosis™	Yes	Parts & Labor	1 Year
GoCook Smart Oven Light	1 Light	UPC CODES			
No. of Rack Positions	7	LRG3060ST (Stainless Steel) 048232335484			
Door Lock	Yes				
Automatic Safety Shut-Down	After 12 Hours				

LRG3060ST

5.4 cu. ft. Gas Single Oven Range

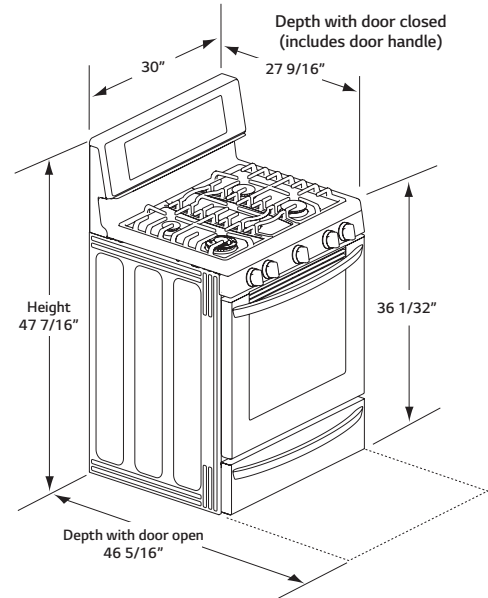
QUICK INSTALL & CLEARANCES

IMPORTANT
 For full installation directions/clearances please refer to the corresponding User Manual and Installation Guide.

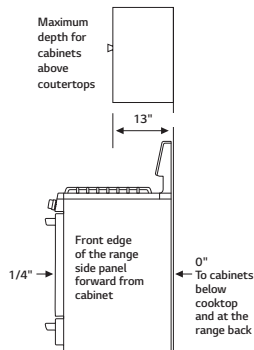
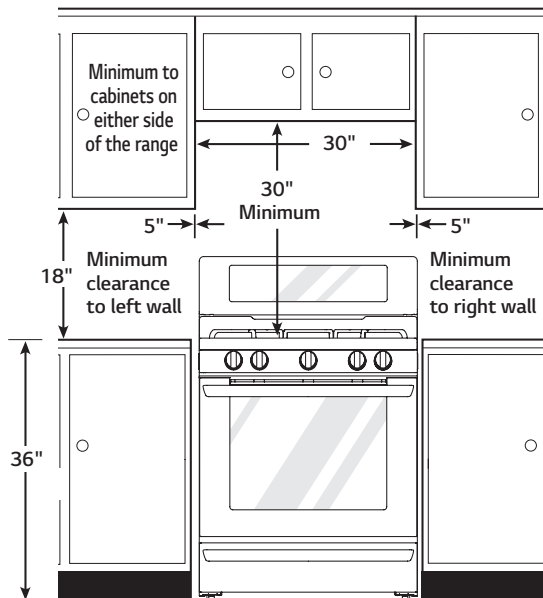
DIMENSIONS/CLEARANCES/WEIGHT	
Cabinet Width (in)	30"
Overall Depth (in) - including handle	28 3/4"
Overall Height (in)	47 7/16"
Overall Width (in)	30"
Oven Interior Dimensions (in) (W x H x D)	24 1/2" x 19 1/2" x 19 3/8"
Height to Cooking Surface (in)	36"
Drawer Dimensions (in) (W x H x D)	22 3/16" x 4 1/2" x 16 3/8"
Carton Dimensions (in) (W x H x D)	32 1/2" x 51 9/16" x 30 1/2"
POWER/RATINGS	
Amp Rating at 240V	4.5A (120VAC, 60Hz)



DIMENSIONS



INSTALLATION CLEARANCES



GAS PIPE AND ELECTRICAL LOCATIONS

