




## 6.3 cu. ft. Electric Range

- 2 Dual Elements
- EasyClean®
- 6.3 cu. ft. Large Capacity
- Storage Drawer
- LG ThinQ® Technology (Wi-Fi)



COLOR AVAILABILITY	
	LREL6321S – Stainless Steel
CAPACITY	
Oven Capacity	6.3 cu. ft.
Drawer Capacity	0.8 cu. ft.
OVEN FEATURES	
Convection System	No
Oven Cooking Modes	Bake, Broil, Warm
Infrared Heating™ System	No
Air Sous Vide	No
Built-in Air Fry	No
Temperature Probe	No
Oven Racks	2 Standard
Number of Rack Positions	7
Broil Element	4,200 W / 6 Pass
Bake Element	3,400 W / 6 Pass
Convection Conversion	No
EasyClean®	Yes
Self Clean	No
GoCook Smart Oven Light	Yes (1)
Door Lock	No
Automatic Safety Shut-Off	After 12 Hours
DRAWER FEATURES	
Type	Storage

COOKTOP FEATURES	
Cooktop Type	Radiant
Number of Elements	5
Element Size / Wattage	
Left Front	Dual 9" / 6" – 3,200W / 1,400W (UltraHeat™)
Left Rear	6" / 1,200W
Center	7" / 100W
Right Front	Dual 12" / 9" – 3,000W / 1,900W (UltraHeat™)
Right Rear	6" / 1,200W
Hot Surface LED Indicator	Yes
CONTROLS	
Cooktop Control Type	Knobs
Oven Control Type	Touch Pad
Display	LED (White)
Language	English
Kitchen Timer	Yes
Timed Cook	Yes
Clock	12 Hr or 24 Hr (Option)
Temperature Unit of Measure	°F or °C
Cooking Complete Reminder Volume	High, Low, Off
Oven Control Lock	Yes
CONVENIENCE	
ADA Compliant	No
Sabbath Mode	Yes (Star-K-Certified)
SMART FEATURES	
Wi-Fi Enabled	Yes
ThinQ®	Yes
Proactive Customer Care	Yes
Voice Control	Amazon Alexa, Google Assistant
SmartDiagnosis™	Yes

## FINISHES AND APPEARANCE

Fingerprint & Smudge Resistant Exterior	No
Cooktop Finish	Black Ceramic Glass
Handle / Knobs	Stainless Steel Appearance
Oven Door Feature	WideView™ Window

## TECHNICAL SPECS

Required Power Supply	120 / 208-240 V, 60 Hz, 3-Wire or 4-Wire
Minimum Circuit Rating	40 Amp
kW Rating at 208V	9.8 kW
kW Rating at 240V	13.1 kW
Power Cord	Not Included
Electrical Receptacle	4-Wire (14-50R) / 3-Wire (10-50R)
Power Outlet Location	See Installation Diagram

## INCLUDED ACCESSORIES

2 Standard Racks

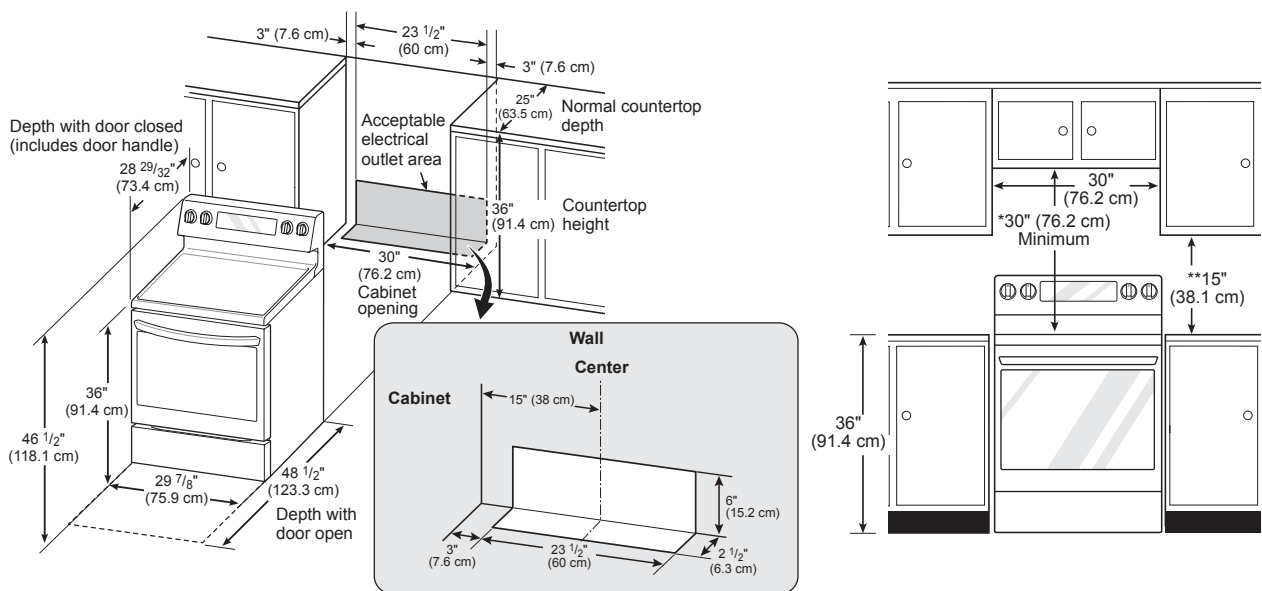
## DIMENSIONS / CLEARANCES / WEIGHTS

Product Dimensions (W x H x D w/Handle)	29 7/8" x 46 1/2" x 28 7/8"
Product Height to Cooking Surface	36"
Cutout Dimensions (W x H x D)	30" x 36" x 25"
Carton Dimensions (W x H x D)	32 1/2" x 51" x 30 1/2"
Approx. Weight (Product / Carton)	157 lbs. / 181 lbs.

## LIMITED WARRANTY

Parts and Labor	1 Year
-----------------	--------

## DIMENSIONS / CLEARANCES



## MINIMUM DIMENSIONS

\*30" (76.2 cm) minimum clearance between the top of the cooking surface and the bottom of an unprotected wood or metal cabinet; or 24" (60.9 cm) minimum when bottom of wood or metal cabinet is protected by not less than 1/4" (6.4 cm) flame retardant millboard covered with not less than no. 28 MSG sheet steel, 0.015" (0.381 mm) stainless steel, 0.024" (0.610 mm) aluminum or 0.020" (0.508 mm) copper.

\*\*15" (38.1 cm) minimum between countertop and adjacent cabinet bottom.