

## 30" Gas Cooktop with UltraHeat™ Burner



- Integrated, Pro-Style Design
- 5 Sealed Burners
- EasyClean® Cooktop (S Only)
- UltraHeat™ 20,000 BTU Center Burner
- 3 Heavy-Duty Continuous Cast Iron Grates (Dishwasher Safe)
- Auto Reignition



### COLOR AVAILABILITY

- CBGJ3023S – Stainless Steel
- CBGJ3023D – Black Stainless Steel

### COOKTOP FEATURES

Number of Sealed Burners	5
Burner BTU (NG / LP)	
Left Front	10,000 / 7,500
Left Rear	10,000 / 7,500
Center	20,000 / 12,500 (UltraHeat™)
Right Front	12,000 / 10,000
Right Rear	5,000 / 4,000
Simmer Burner	No
Griddle Plate	No
Continuous Grates	Yes (Cast-Iron)
Dishwasher Safe Grates	Yes
EasyClean® Cooktop	Yes (S Only)
ADA Compliant	No
Auto Reignition	Yes

### CONTROLS

Cooktop Control Type	Front, Knob Control
Knob Lighting	No

### SMART FEATURES

Wi-Fi Enabled	No
ThinQ® Technology	No

### FINISHES AND APPEARANCE

Cooktop Surface	EasyClean® Stainless Steel (S Only)
Knobs	ST – Stainless Steel Appearance BD – Black Stainless Steel Appearance

### TECHNICAL SPECS

Fuel Type	NG / LP
Required Power Supply	120V, 60 Hz
Minimum Circuit Rating	15 Amp
Power Cord Type	3-Prong Cord Attached to Unit
Gas Supply Location	See Installation Diagram

### INCLUDED ACCESSORIES

LP Conversion Kit

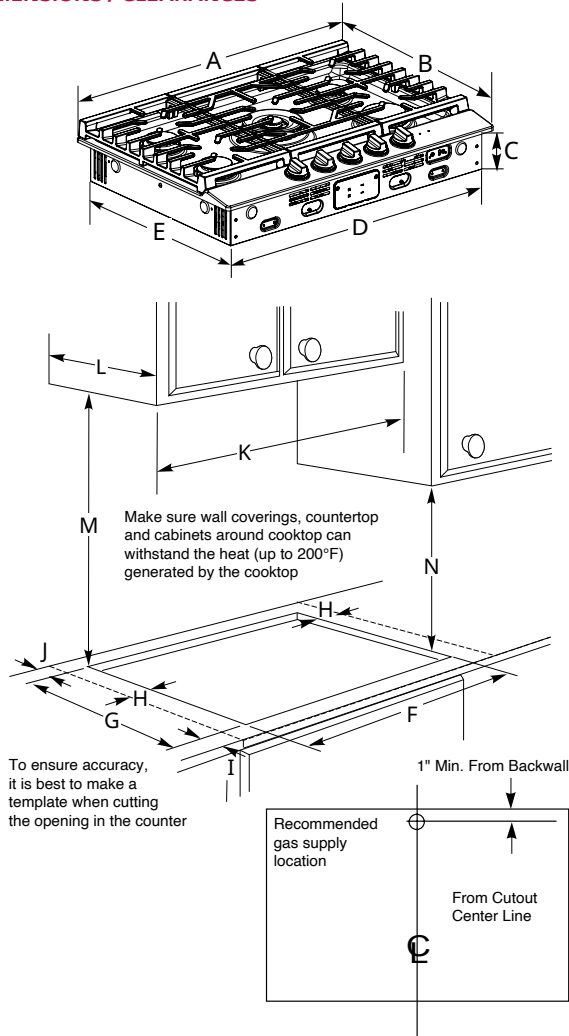
### DIMENSIONS / CLEARANCES / WEIGHTS

Product Dimensions (W x H x D)	30" x 3 3/4" x 21"
Cutout Dimensions (W x H x D)	28 1/2" x 3 3/4" x 19 5/8"
Minimum Spacing to Back Wall	2 3/4"
Minimum Spacing to Side Walls	11 13/16"
Minimum Front Countertop Clearance	1 5/8"
Carton Dimensions (W x H x D)	34 21/64" x 10 5/32" x 25 25/32"
Approx. Weight (Product / Carton)	45 lbs. / 53 lbs.

### LIMITED WARRANTY

Parts and Labor	1 Year
-----------------	--------

## DIMENSIONS / CLEARANCES



## DIMENSIONS / CLEARANCES

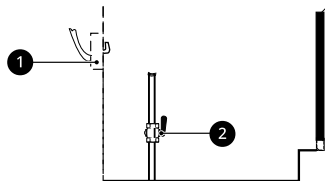
A	Width of upper plate	30" (760 mm)
B	Depth of upper plate	21" (533 mm)
C	Height of cooktop base	3 3/4" (95 mm)
D	Width of cooktop base	28 1/4" (717 mm)
E	Depth of cooktop base	19 3/8" (492 mm)
F	Width of cutout	28 1/2" (724 mm)
G	Depth of cutout	19 5/8" (498 mm)
H	Distance from cutout to side wall on the left of unit. / Distance from cutout to side wall on the right of the unit.	11 13/16" (300 mm)
I	Distance from front edge of cutout to front edge of countertop	1 5/8" (41 mm)
J	Distance between cutout and the wall behind the cooktop	2 3/4" (69 mm)
K	Width of unprotected overhead cabinets	30" (760 mm)
L	Depth of unprotected overhead cabinets	13" (330 mm)
M	Clearance from countertop to unprotected overhead surface	30" (760 mm)
N	Clearance from countertop to nearest cabinet on either side of unit	18" (457 mm)

## INSTALLATION NOTES

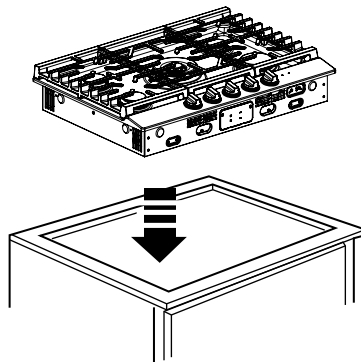
- Provide enough clearance between the cooktop and adjacent combustible surfaces. These dimensions must be met for safe use of your cooktop.
- The location of the electrical outlet and pipe opening may be adjusted to meet specific requirements.
- The cooktop may be placed with 2 3/4" clearance to the back wall.

## INSTALLATION OF COOKTOP

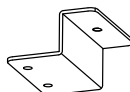
Locate the electrical outlet and gas shut-off valve beneath the cabinet. Never reuse old flexible connectors. Install a manual shut-off valve ② in the gas line in an easily accessible location outside the cooktop. Be sure you know how and where to shut off the gas supply to the cooktop. Install the electrical outlet 12" ① below the countertop.



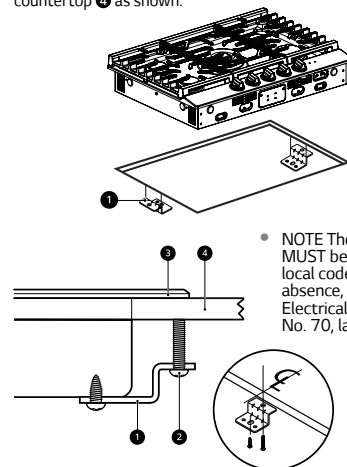
Carefully lower the cooktop into the countertop cutout, making sure not to trap any wires.



Remove the retainer brackets from the literature package.



Install the retainer brackets ① to the bottom of the cooktop unit ②, then snug the screws ③ against the bottom of the countertop ④ as shown.



NOTE The retainer brackets MUST be installed to meet local codes or, in their absence, the National Electrical Code ANSI/NFPA No. 70, latest edition.