



Scan to see the online manual.



# OWNER'S MANUAL

# **ELECTRIC**

# **INDUCTION RANGE**

---

Read this owner's manual thoroughly before operating the appliance and keep it handy for reference at all times.

**ENGLISH**

LSIL6334\*



MFL68920555  
Rev.00\_061523

[www.lg.com](http://www.lg.com)

Copyright © 2023 LG Electronics Inc. All Rights Reserved.

# TABLE OF CONTENTS

## 4 IMPORTANT SAFETY INSTRUCTIONS

### 4 READ ALL INSTRUCTIONS BEFORE USE

- 4 Safety Messages
- 4 Anti-tip Device

### 5 WARNING

- 5 Installation
- 5 Operation
- 6 Maintenance
- 6 Risk of Fire and Flammable Materials

### 7 CAUTION

- 7 Operation
- 7 Maintenance

## 8 PRODUCT OVERVIEW

### 8 Product Features

- 8 Exterior & Interior
- 8 Product Specifications
- 9 Accessories

## 10 INSTALLATION

### 10 Before Installing

- 10 Installation Overview
- 10 Tools Needed
- 11 Parts
- 11 Unpacking and Moving the Range

### 13 Choosing the Proper Location

- 13 Dimensions and Clearances
- 15 Electricity
- 15 Electrical Connection Requirements
- 15 Flooring
- 16 Ambient Temperature

### 16 Leveling

- 16 Leveling the Range

### 16 Optional Rear Filler

- 16 Installing the Rear Filler

### 17 Anti-tip Device

- 17 Installing the Anti-tip Device

### 17 Test Run

- 17 Test the Range Before Use

## 19 OPERATION

### 19 Control Panel

- 19 Control Panel Features
- 20 Knob Features

### 21 Changing Oven Settings

- 21 Clock
- 21 Oven Light
- 21 Timer On/Off
- 21 Wi-Fi
- 22 Settings (Hour Mode, Convection Auto Conversion, Calibrating the Oven Temperature, Preheat Alarm Light, Beeper Volume, Fahrenheit or Celsius, Cooktop on Alert Volume)
- 23 Control Lock
- 24 Cook Time (Timed Cook)
- 25 Minimum & Maximum Default Settings

### 25 Cooktop

- 25 Precautions when using the Cooktop
- 27 Cooking Areas
- 27 Benefits of Induction Surface Cooking
- 27 Induction Cookware
- 28 Cookware Placement
- 29 Pan Sensing
- 29 Minimum and Maximum Pan Size
- 29 Home Canning
- 30 Using the Cooking Elements
- 30 The Recommended Surface Cooking Setting
- 30 Power Management

### 31 Oven

- 31 Before Using the Oven
- 31 Oven Vent
- 31 Using Oven Racks
- 32 Bake
- 32 Convection Mode
- 33 Recommended Baking Guide
- 33 Broil
- 34 Recommended Broiling Guide
- 36 Air Fry
- 38 Recommended Air Frying Guide
- 39 Remote Start
- 39 Using the Sabbath Mode

## 41 SMART FUNCTIONS

---

### 41 LG ThinQ Application

- 41 LG ThinQ Application Features
- 41 Installing LG ThinQ Application and Connecting an LG Appliance
- 42 Installing the LG ThinQ Application
- 42 Connecting to Wi-Fi
- 42 LG UP Feature
- 43 RF Module Specifications
- 43 Industry Canada Statement
- 43 Open Source Software Notice Information

### 43 Smart Diagnosis™ Feature

- 43 Using LG ThinQ to Diagnose Issues
- 43 Using Audible Diagnosis to Diagnose Issues

## 45 MAINTENANCE

---

### 45 Cleaning

- 45 Interior
- 45 Exterior
- 47 Cooktop Surface
- 49 EasyClean
- 52 Self Clean
- 54 Removing/Assembling Lift-Off Oven Doors
- 55 Removing/Assembling Drawers
- 55 Removing/Assembling the Vent Trim

### 56 Periodic Maintenance

- 56 Changing the Oven Light

## 57 TROUBLESHOOTING

---

### 57 FAQs

- 57 Frequently Asked Questions

### 59 Before Calling for Service

- 59 Cooking
- 61 Parts & Features
- 63 Noises
- 64 Wi-Fi

## 65 LIMITED WARRANTY

---

### 65 CANADA

- 65 TERMS AND CONDITIONS
- 65 THIS LIMITED WARRANTY DOES NOT

COVER:

68 PROCEDURE FOR RESOLVING DISPUTES:

## 4 IMPORTANT SAFETY INSTRUCTIONS

# IMPORTANT SAFETY INSTRUCTIONS

## READ ALL INSTRUCTIONS BEFORE USE

Download this owner's manual at <http://www.lg.com>

### Safety Messages

**Your safety and the safety of others are very important.**

We have provided many important safety messages in this manual and on your appliance. Always read and follow all safety messages.



This is the safety alert symbol.

This symbol alerts you to potential hazards that can kill or injure you and others. All safety messages will follow the safety alert symbol and either the word **WARNING** or **CAUTION**.

These words mean:



#### **WARNING**

You may be killed or seriously injured if you do not follow instructions.



#### **CAUTION**

You may be injured or cause damage to the product if you do not follow instructions.

All safety messages will tell you what the potential hazard is, tell you how to reduce the chance of injury, and tell you what may happen if the instructions are not followed.

### Anti-tip Device

To reduce the risk of tipping, the appliance must be secured by a properly installed anti-tip device. To check if the device is installed properly, verify that the anti-tip device is engaged, or grasp the top rear edge of the range back guard and carefully attempt to tilt it forward. Refer to the installation section for instructions.

## **! WARNING**

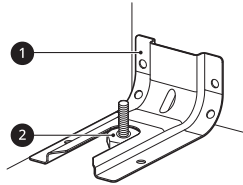
- A child or adult can tip the range and be killed.



- Install the anti-tip device to the structure and/or the range. Verify the anti-tip device has been properly installed and engaged by following the guide on the anti-tip bracket template.
- Engage the range to the anti-tip device by following the guide on the anti-tip bracket template. Ensure the anti-tip device is re-engaged when the range is moved by following the guide on the anti-tip bracket template.
- Re-engage the anti-tip device if the range is moved. Do not operate the range without the anti-tip device in place and engaged.
- See installation instructions for details.
- Failure to do so can result in death or serious burns to children or adults.
- Do not rest large, heavy items such as whole turkeys on the open oven door. The range could tip forward and cause injury.



- Do not step or sit on the oven door. The range could be tipped and injury might result from spilled hot liquid, food, or the range itself.
- Never remove the oven legs. The range will not be secured to the anti-tip bracket if the legs are removed.



- ❶ Anti-tip bracket
- ❷ Leveling leg

## WARNING

### ⚠ WARNING

- To reduce the risk of explosion, fire, death, electric shock, injury or scalding to persons when using this product, follow basic precautions, including the following:

## Installation

- Do not line the oven walls, racks, bottom, or any other part of the oven with aluminum foil or any other material. Doing so will disrupt heat distribution, produce poor baking results and cause permanent damage to the oven interior. (Aluminum foil will melt to the interior surface of the oven.)
- To eliminate the risk of burns or fire by reaching over heated surface units, cabinet storage space located above the surface units should be avoided. If cabinet storage is to be provided, the risk can be reduced by installing a range hood that projects horizontally a minimum of 5 inches beyond the bottom of the cabinets.
- Do not use aluminum foil or any other material to line the oven bottom. Improper installation of these liners may result in a risk of electric shock or fire.
- Make sure your range is properly installed and grounded by a qualified installer, according to the installation instructions. Any adjustment and service should be performed only by qualified range installers or service technicians.

## Operation

- Do not leave children alone or unsupervised near the appliance when it is in use or is still hot. Children should never be allowed to sit or stand on any part of the appliance as they could be injured or burned.
- Children should not be allowed to play with controls or other parts of the appliance.
- DO NOT TOUCH HEATING ELEMENTS OR INTERIOR SURFACES OF OVEN. Heating elements may be hot even though they are dark in color. Interior surfaces of an oven become hot enough to cause burns. During and after use, do not touch or let clothing or other flammable materials contact heating elements or interior surfaces of the oven until they have had sufficient time to cool. Other surfaces, such as oven vent openings and surfaces near these openings, oven doors, and windows of oven doors, also get hot and may cause burns if not cooled.
- Surface units may be hot even though they are dark in color. Areas near surface units may become hot enough to cause burns. During and after use, DO NOT TOUCH SURFACE UNITS OR AREAS NEAR UNITS or let clothing or other flammable materials contact surface units or areas near units until they have had sufficient time to cool. This includes the cooktop and the area above the oven door.
- Use care when opening the oven door. The hot air and steam that escape can cause burns to hands, face and eyes. Let hot air or steam escape from the oven before removing or replacing food in the oven.
- Do not use plastic to cover food. Use foil or oven-safe lids only.

## 6 IMPORTANT SAFETY INSTRUCTIONS

---

- Never attempt to dry a pet in the oven.
- Never use your appliance for warming or heating the room.
- Always use pot holders or oven mitts when removing food from the oven or the surface element. Cookware will be hot. Use only dry pot holders. Moist or damp pot holders on hot surfaces may result in burns from steam. Do not let the pot holder touch hot heating elements. Do not use a towel or other bulky cloth to remove food.
- Do not heat unopened food containers. Pressure in the containers may cause them to burst which may result in injury.
- Be certain that all packing materials are removed from the appliance before operating. Keep plastic, clothes, paper, and other flammable materials away from parts of the appliance that may become hot.
- Do not allow aluminum foil or the temperature probe to contact heating elements.
- Do not touch the hot surface between the bottom of the oven door and the top of the drawer on the front of the oven while the oven is in operation. The surface becomes hot and can cause burns and other injury.
- Do not touch the oven racks while they are hot.
- If a rack must be moved while the oven is hot, do not let the pot holder contact the hot heating element in the oven.
- Pull the oven rack to the stop-lock position when loading and unloading food from the oven. This helps prevent burns caused by touching hot surfaces of the door and oven walls.
- Do not use the oven if a heating element develops a glowing spot during use or shows other signs of damage. A glowing spot indicates the heating element may fail and present a potential burn, fire, or shock hazard. Turn the oven off immediately and have the heating element replaced by a qualified service technician.
- During oven operation, the upper surface of the drawer cavity becomes hot and may cause burns. Never allow children to remain unsupervised near the oven or cooktop.
- Do not put your hand inside the drawer during the oven operation.

### Maintenance

- Do not store items of interest to children in cabinets above a range or on the back guard of a range. Children climbing on the range to reach items could be seriously injured.
- Do not allow children to crawl into the oven.
- Let hot cookware and utensils cool in a safe place, out of reach of small children.
- If the door glass, cooktop glass, surface, or oven heating unit of the range are damaged, discontinue use of the range and call for service.
- Do not allow anyone to climb, stand or hang on the door, storage drawer or cooktop. They could damage the range and even tip it over, causing severe personal injury.
- Always disconnect power from the appliance before servicing.
- Before replacing the oven light, switch off the electrical power to the oven at the main fuse or circuit breaker panel. Failure to do so can result in severe personal injury, death, or electrical shock.
- Never pour cold water over a hot oven for cleaning. Doing so may cause the oven to malfunction.

### Risk of Fire and Flammable Materials

- Do not store or use flammable material in the oven or near or on the cooktop. Flammable materials include paper, plastic, pot holders, linens, wall coverings, curtains, and gasoline or other flammable vapors and liquids such as grease or cooking oil. These materials can be ignited when the oven and cooktop are in use.
- Use extreme caution when moving or disposing of hot grease.

- Wear proper apparel. Do not wear loose-fitting or hanging garments, which may ignite if they contact hot surfaces, and cause severe burns.
- Do not use the oven for drying clothes. Only use the oven for its intended purpose.
- If cabinet storage is provided directly above the cooking surface, only use it to store items that are not frequently used and can be safely stored in an area subjected to heat. Temperatures may be unsafe for volatile items such as flammable liquids, cleaners or aerosol sprays.
- Do not use water on grease fires. Should an oven fire occur, leave the oven door closed and turn the oven off. If the fire continues, throw baking soda on the fire or use a fire extinguisher. Do not put water or flour on the fire. Flour may be explosive and water can spread a grease fire and cause personal injury.

## CAUTION

### CAUTION

- To reduce the risk of minor injury to persons, malfunction, or damage to the product or property when using this product, follow basic precautions, including the following:

## Operation

- Always heat fat slowly, and watch as it heats.
- If frying combinations of oils and fats, stir them together before heating.
- Use a deep fat thermometer, if possible, to prevent overheating fat beyond the smoking point.
- Use the least possible amount of fat for effective shallow or deep-fat frying. Filling the pan with too much fat can cause spillovers when food is added.
- Accessible parts may become hot when the broiler is in use.
- Do not place food or cookware on the bottom of the oven cavity. Doing so will cause permanent damage to the oven bottom finish.
- When using cooking or roasting bags in the oven, follow the manufacturer's directions.

## Maintenance

- Do not repair or replace any part of the appliance unless specifically recommended in the manual. All other servicing should be performed by a qualified technician.
- Do not use harsh etching, abrasive cleaners or sharp metal scrapers to clean the oven door glass because they can scratch the surface. Scratches may cause the glass to shatter.
- Make sure oven lights are cool before cleaning.
- Do not clean the door gasket. The door gasket is essential for a good seal. Care should be taken not to rub, damage, or move the gasket.
- Clean in the self-clean cycle only parts listed in this manual. Before self-cleaning the oven, remove the broiler pan, all oven racks, the meat probe and any cookware, utensils or food from the oven.

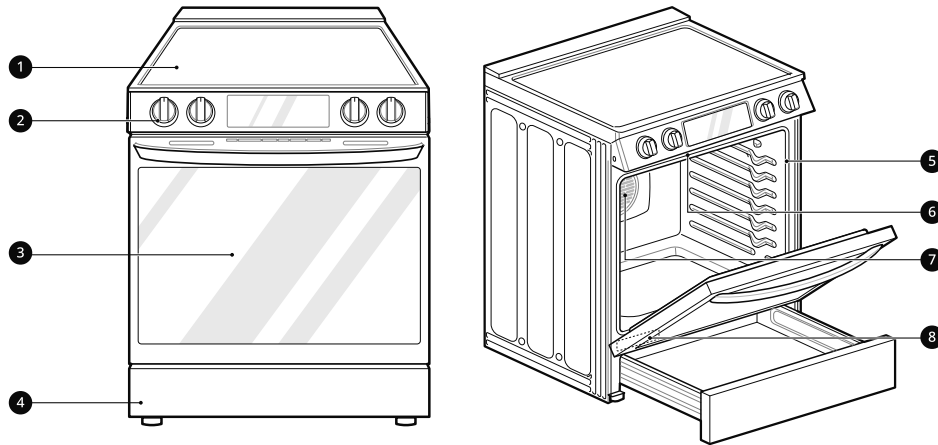
# SAVE THESE INSTRUCTIONS

8 PRODUCT OVERVIEW

# PRODUCT OVERVIEW

## Product Features

### Exterior & Interior



- ❶ Cooktop
- ❷ Cooktop Controller
- ❸ Oven Door
- ❹ Storage Drawer
- ❺ Gasket
- ❻ Broil Heater
- ❼ Convection Heater
- ❽ Model & Serial Number Plate

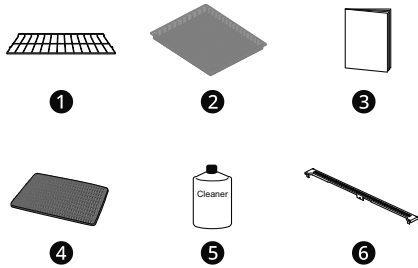
## Product Specifications

The appearance and specifications listed in this manual may vary due to constant product improvements.

Oven Range Models	LSIL6334*
Description	Electric Slide In Oven Range
Electrical requirements	11.9 kW 120/240 VAC or 10.2 kW 120/208 VAC
Exterior Dimensions	29 7/8" (W) x 36 1/2" (H) x 26 7/8" (D) (D with door closed) 75.8 cm (W) x 92.7 cm (H) x 68.3 cm (D) (D with door closed)
Height to cooking surface	36" (91.3 cm)
Net weight	186.3 lb (84.5 kg)
Total capacity	6.3 cu. ft.

## Accessories

### Included Accessories



- 1 Standard Rack (2 ea)
- 2 Air Fry Tray (1 ea)
- 3 Owner's Manual (1 ea)
- 4 Non-scratch Scouring Pad (1 ea)
- 5 Cooktop Cleaner (1 ea)
- 6 Rear Filler (1 ea)

### Optional Accessories (sold separately)



- 1 Grid
- 2 Broiler Pan

#### NOTE

- Contact LG Customer Service at 1-800-243-0000 (1-888-542-2623 in Canada) if any accessories are missing.
- For your safety and for extended product life, only use authorized components.
- The manufacturer is not responsible for product malfunction or accidents caused by the use of separately purchased, unauthorized components or parts.
- The images in this guide may be different from the actual components and accessories, which are subject to change by the manufacturer without prior notice for product improvement purposes.

10 INSTALLATION

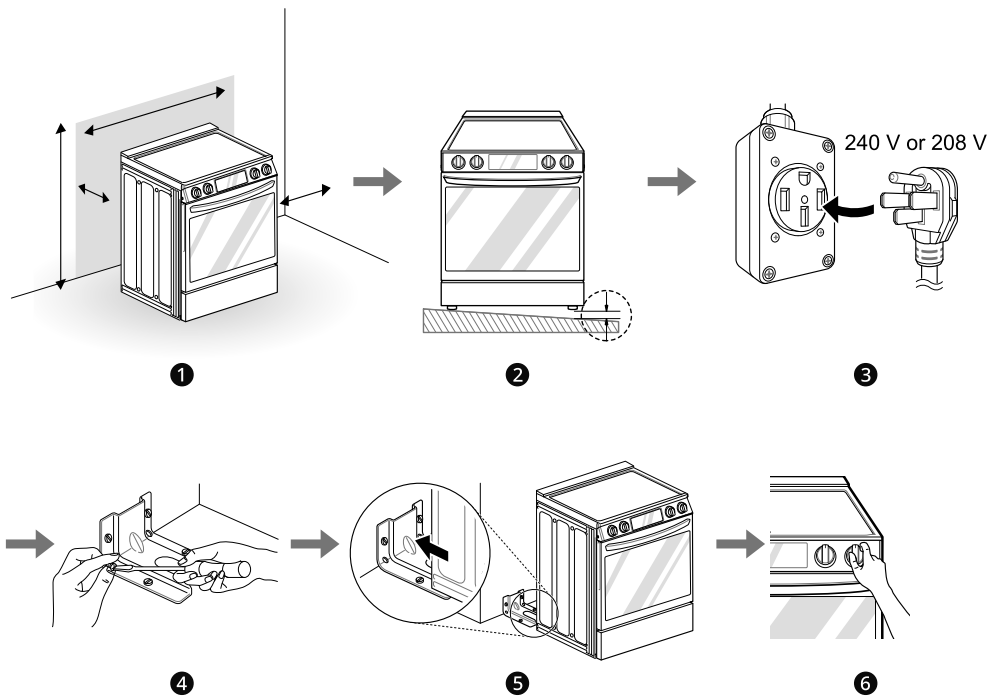
# INSTALLATION

## Before Installing

### Installation Overview

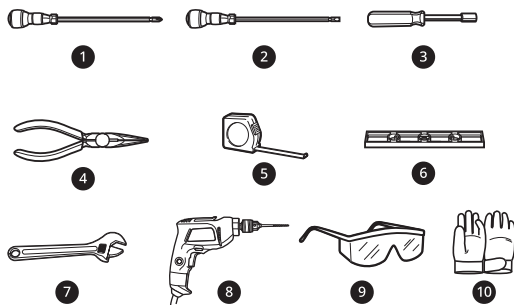
Please read the following installation instructions first after purchasing this product or transporting it to another location.

The images in this guide may be different from the actual components and accessories, which are subject to change by the manufacturer without prior notice for product improvement purposes.



1 Check and choose the proper location	4 Install anti-tip device
2 Level the range	5 Engage the anti-tip device
3 Plug in the power cord	6 Test run

### Tools Needed



1 Phillips Screwdriver

2 Flat-blade Screwdriver

3 1/4" Nut Driver

4 Pliers

5 Tape Measure

6 Level

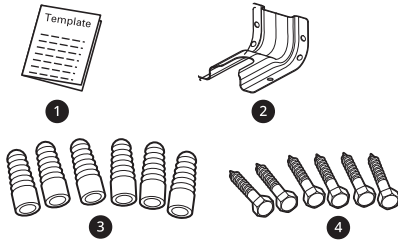
7 Adjustable Wrench

8 Drill

- 9 Safety Glasses
- 10 Gloves

**Parts**

**Parts Provided**



- 1 Template (1 ea)
- 2 Anti-tip Bracket Kit (1 ea)
- 3 Anchor Sleeves (6 ea)
- 4 Lag Bolts (6 ea)

**NOTE**

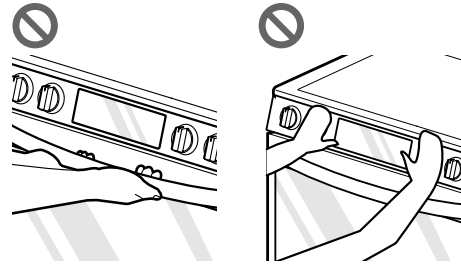
- Observe all governing codes and ordinances.
- Have the installer show you the location of the circuit breaker or fuse. Mark it for easy reference.
- As when using any appliance generating heat, there are certain safety precautions you should follow.
- Be sure your range is installed and grounded properly by a qualified installer or service technician.

**Unpacking and Moving the Range**

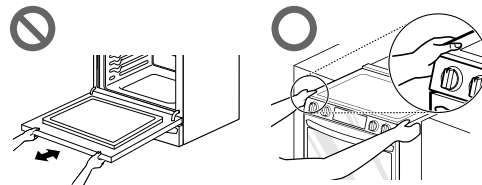
**⚠ WARNING**

- You should use two or more people to move and install the range. (Excessive Weight Hazard) Failure to do so can result in back or other injury.
- Do not use the door handles or knobs to push or pull the range during installation or when moving the range out for cleaning or service.

Doing so can result in serious damage to the range.



- Do not push or pull the range by grabbing the open oven door or cooktop only. Doing so can result in serious damage to the range.



- Do not lift the range using the cooktop or door handle. Doing so can cause damage and improper operation of the range.



- To reduce the risk of burns, do not move this appliance while it is hot.

**NOTE**

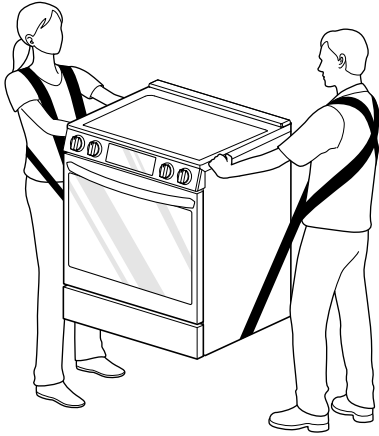
- The image may differ from the actual model.

## 12 INSTALLATION

---

### NOTE

- Your range is heavy and can be installed on soft floor coverings such as cushioned vinyl or carpeting. Use care when moving the range on this type of flooring. Use a belt when moving the range to prevent damaging the floor. Or slide the range onto cardboard or plywood to avoid damaging the floor covering.



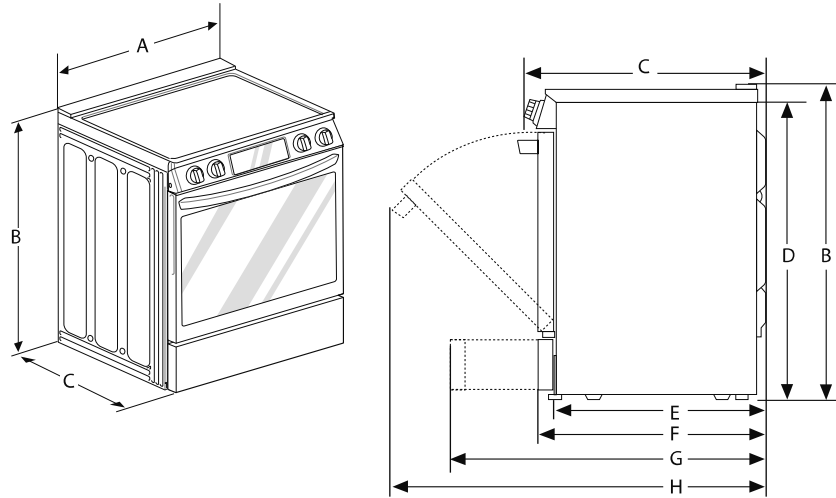
- Remove packing material, tape and any temporary labels from your range before using. Do not remove any warning-type labels, the model and serial number label, or the Tech Sheet that is located on the back of the range.
  - To remove any remaining tape or glue, rub the area briskly with your thumb. Tape or glue residue can also be easily removed by rubbing a small amount of liquid dish soap over the adhesive with your fingers. Wipe with warm water and dry.
  - Do not use sharp instruments, rubbing alcohol, flammable fluids, or abrasive cleaners to remove tape or glue. These products can damage the surface of your range.
-



# Choosing the Proper Location

## Dimensions and Clearances

### Dimensions

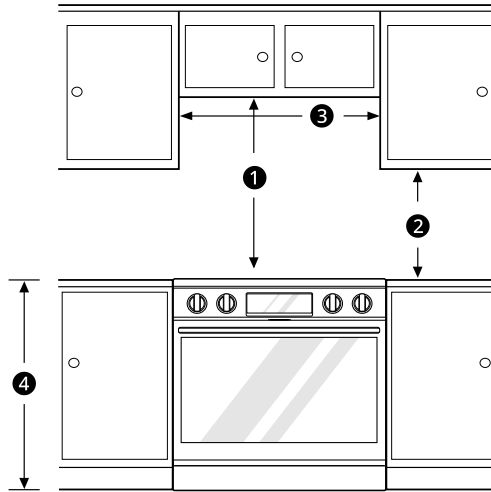


ENGLISH

-	Dimensions	LSIL6334*
A	Width	29 7/8" (758.8 mm)
B	Height	36 1/2" (927.9 mm)
C	Depth (Includes Door Handle)	29 5/16" (743.9 mm)
D	Height (Excludes Vent Trim)	36" (913.0 mm)
E	Depth (Includes only the product body that is loaded into the cabinet. Excludes door, drawer, and handles)	24 3/4" (629.4 mm)
F	Depth (Excludes Door Handle)	26 7/8" (683 mm)
G	Depth when drawer is fully opened	36 1/16" (916.2 mm)
H	Depth when door is fully opened	48 5/8" (1235.9 mm)

## 14 INSTALLATION

### Minimum Dimensions

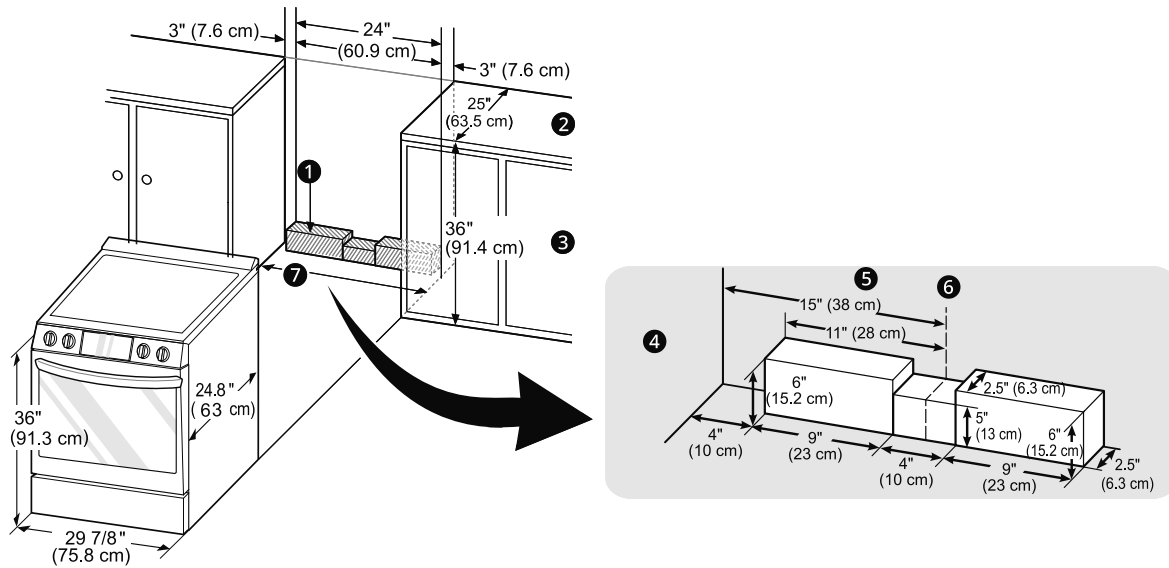


❶ Minimum distance from top of range to combustible surface overhead	30" (76.2 cm)
❷ Minimum distance from countertop to overhead cabinets at side	15" (38.1 cm)
❸ Minimum opening in overhead cabinets	30" (76.2 cm)
❹ Height of countertop	36" (91.3 cm)

#### NOTE

- ❶ 30" (76.2 cm) minimum clearance between the top of the cooking surface and the bottom of an unprotected wood or metal cabinet; or 24" (60.9 cm) minimum when bottom of wood or metal cabinet is protected by not less than 1/4" (6.4 cm) flame retardant millboard covered with not less than no. 28 MSG sheet steel, 0.015" (0.381 mm) stainless steel, 0.024" (0.610 mm) aluminum or 0.020" (0.508 mm) copper.
- ❷ 15" (38.1 cm) minimum between countertop and adjacent cabinet bottom.
- Important – Save for the use of the local electrical inspector.
- For installation in Canada, a free-standing range is not to be installed closer than 15/32" (12 mm) from any adjacent surface.

### Clearances



① Acceptable Electrical Outlet Area	② Normal Countertop Depth
③ Counter Top Height	④ Cabinet
⑤ Wall	⑥ Center
⑦ Cabinet Opening = 30" (76.2 cm) For U.S.A = 30" (76.2 cm) ~ 31" (78.7 cm) For CANADA	

### Electricity

The range should always be plugged into its own individual properly grounded electrical outlet.

- This prevents overloading house wiring circuits which could cause a fire hazard from overheated wires.
- It is recommended that a separate circuit serving only this appliance be provided.

### Electrical Connection Requirements

The range must be installed in accordance with Local and Canadian Electrical Codes (latest edition). See rating plate for total connected Amp rating. This model was shipped direct from the factory with Service cord attached. There are no range connections necessary.

#### NOTE

- Only a range cord rated at 40 amps with 120/240 minimum volt range is required. If a 50 amp range cord is used, it should be marked for use with 1<sup>3</sup>/<sub>8</sub>" diameter connection openings.

### Flooring

#### ⚠ CAUTION

- Use an insulated pad or 1/4 in. (0.64 cm) plywood under the range if installing the range over carpeting.

## 16 INSTALLATION

### Ambient Temperature

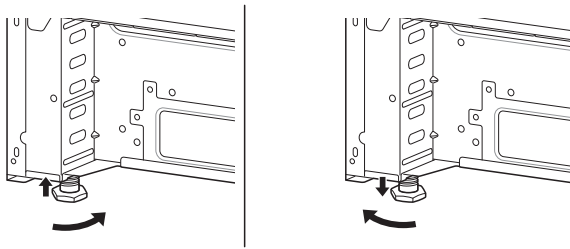
#### ⚠ CAUTION

- Make sure wall coverings, countertops and cabinets around the range can withstand the heat (up to 194 °F) generated by the range. Discoloration, delamination or melting may occur. This range has been designed to comply with the maximum allowable wood cabinet temperature of 194 °F.
- Before installing the range in an area covered with linoleum or other synthetic floor covering, make sure the floor covering can withstand temperatures of at least 200 °F (93 °C).

### Leveling

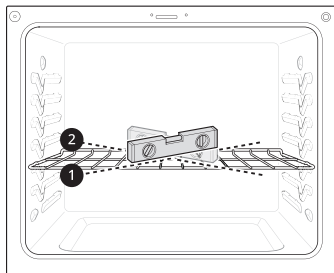
#### Leveling the Range

Level the range by adjusting the leveling legs with a wrench. Extending the legs slightly may also make it easier to insert the rear leg into the anti-tip bracket.



#### Checking Adjustments

- 1 Place the level diagonally on the oven rack, and check each direction for level.
  - First check direction ①. Then check direction ②.



- 2 If the level doesn't show that the rack is level, adjust the leveling legs with a wrench.

### Optional Rear Filler

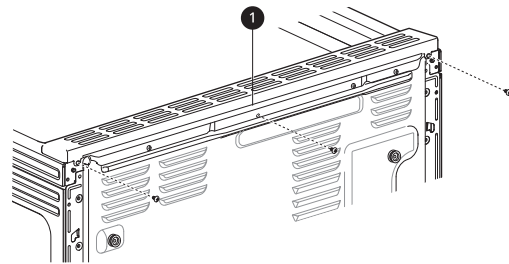
#### Installing the Rear Filler

If the counter does not bridge the opening at the rear wall, the rear filler kit which is provided with the slide in range will be needed.

#### NOTE

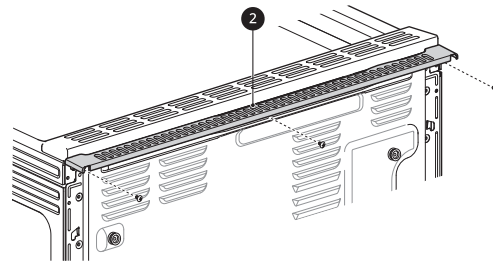
- If the countertop depth is greater than 25 3/8" there will be a gap between the filler kit and the back wall.
- If the countertop depth is less than 24 3/4", the control panel will not sit flush with the countertop.

- 1 Using a screwdriver, remove the three screws holding the rear top plate in place.



① Rear Top Plate

- 2 Attach the rear top plate and filler assembly as shown, using three screws removed in step 1.



② Rear filler

## Anti-tip Device

### Installing the Anti-tip Device

#### Tip Hazard

#### **⚠ WARNING**

- A child or adult can tip the range and be killed.



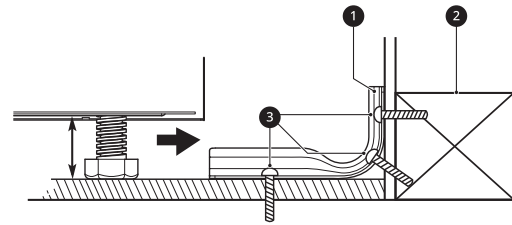
- Install the anti-tip device to the structure and/or the range. Verify the anti-tip device has been properly installed and engaged by following the guide on the anti-tip bracket template.
- Engage the range to the anti-tip device by following the guide on the anti-tip bracket template. Ensure the anti-tip device is re-engaged when the range is moved by following the guide on the anti-tip bracket template.
- Re-engage the anti-tip device if the range is moved. Do not operate the range without the anti-tip device in place and engaged.
- See installation instructions for details.
- Failure to follow these instructions can result in death or serious burns to children or adults.
- Range must be secured with an approved anti-tip device.
- The range could be tipped by standing, sitting or leaning on an open door if the range or anti-tip device is not properly installed.
- The use of this device does not preclude tipping of the range when not properly installed.

- After installing the anti-tip device, verify that it is in place by carefully attempting to tilt the range forward.
- This range has been designed to meet all recognized industry tip standards for all normal conditions.
- The installation of the anti-tip device must meet all local codes for securing the appliance.

#### Using the Anti-Tip Bracket Template

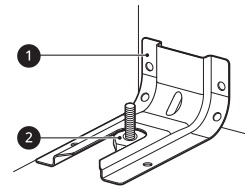
- The anti-tip bracket is packaged with an installation template. The instructions include necessary information to complete the installation. Read and follow the range installation instruction sheet.

- Screws **3** must enter wood or concrete.



- 1** Anti-tip Bracket
- 2** Wall Plate

#### Engaging the Anti-tip Device



- 1** Anti-tip Bracket
- 2** Leveling Leg

- 1** Slide the range against the wall, making sure the back leg slides into and engages the anti-tip bracket.
- 2** Check for proper installation by grasping the front edge of the cooktop and carefully attempting to tilt the range forward.

## Test Run

### Test the Range Before Use

Check if the range is properly installed and run a test cycle.

- 1** Before using the cooktop for the first time, clean it with a ceramic cooktop cleaner. This helps protect the top and makes cleanup easier.
- 2** Turn each knob to the **HI** position to check that the surface heating elements are working properly. The elements should glow red and radiate heat, and they should cycle on and off periodically even when the knob is in the **HI** position. This cycling prevents the glass-ceramic from being cracked by thermal shock.

## 18 INSTALLATION

---

- 3** Now check the oven's operation. Press **Bake**. 350 °F appears in the display. Press **START**.
  
- 4** The oven should finish preheating in 15 minutes, and the convection fan should operate while the oven is preheating.
  
- 5** After checking the oven's operation, turn the temperature up to 450 °F and leave the oven on for at least an hour to help remove any oil which might cause smoke and odors when first using the oven.

---

### NOTE

- Smoke may come out of the range when it is first used.
-

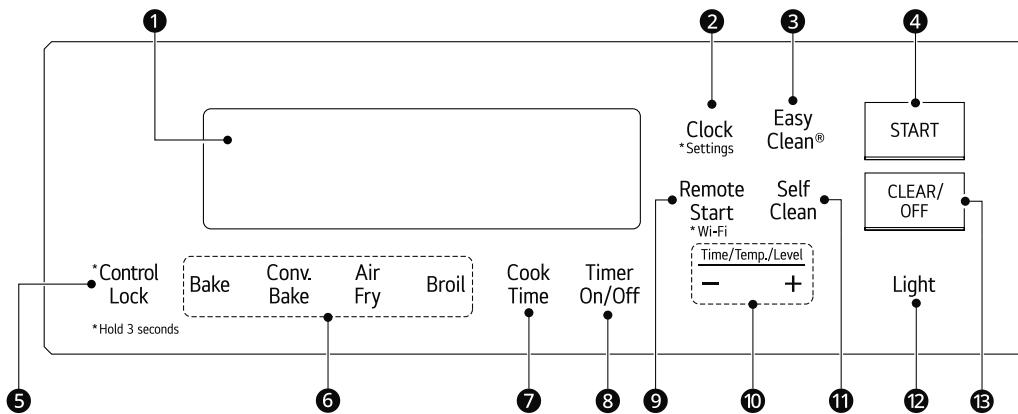
# OPERATION

## Control Panel

### Control Panel Features

Model: LSIL6334\*

ENGLISH



#### 1 Display

Press any button on the control panel to activate the display.

#### 2 Clock / Settings

- Press the button to set the time of day.
- Press and hold the button for 3 seconds to select and adjust oven settings.

#### 3 EasyClean

Press the button to set the **EasyClean**.

#### 4 START

Press the button to start all oven features.

#### 5 Control Lock

Press and hold the button for 3 seconds to lock the control panel.

#### 6 Oven Controls

Press a button to select the oven operating mode.

#### 7 Cook Time

Press the button to set the desired amount of time for food to cook. The oven shuts off when the set cooking time runs out.

#### 8 Timer On/Off

Press the button to set or cancel the timer on the oven.

#### 9 Remote Start / Wi-Fi

- Press the button to set **Remote Start**.

- Press and hold the button for 3 seconds to connect the appliance to a Wi-Fi network.

#### 10 +/- Buttons

- Press the **plus (+)** button to increase cooking time or oven temperature.
- Press the **minus (-)** button to decrease cooking time or oven temperature.

#### 11 Self Clean

Press the button to set the **Self Clean**.

#### 12 Light

Press the button to turn the oven light on or off.

#### 13 CLEAR/OFF

Press the button to end all oven features.

### NOTE

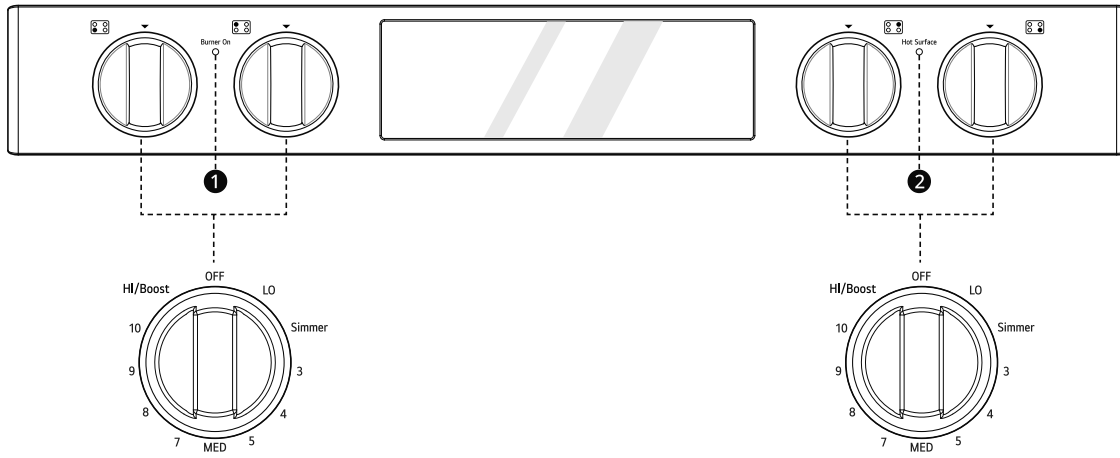
#### • Flashing Clock

If the colon in the clock display flashes, press **Clock** and reset the time, or press any button to stop the flashing.

## 20 OPERATION

### Knob Features

After cleaning the oven knobs, make sure to replace each knob in the correct position. Failure to do so can result in improper operation of the burners.



- ❶ **Burner On Indicator**
- ❷ **Hot Surface Indicator**



## Changing Oven Settings

### Clock

The clock must be set to the correct time of day in order for the automatic oven timing functions to work properly.

- 1 Press **Clock**
- 2 Press **plus (+)** or **minus (-)** to select the desired time.
- 3 Press **START**.

#### NOTE

- The time of day cannot be changed during a timed baking or self-clean cycle.
- To check the time of day when the display is showing other information, press **Clock**.
- If no other buttons are pressed within 25 seconds of pressing **Clock**, the display reverts to the original setting.
- If the display time is blinking, there may have been a power failure. Reset the time.
- The control is set to use a 12-hour clock. To set the clock to 24-hour mode, see the "Settings" section.

### Oven Light

The interior oven light automatically turns on when the door is opened.

- Press **Light** to manually turn the oven light on.

#### NOTE

- The oven light cannot be turned on if the **Self Clean** function is active.
- The oven light turns off automatically after 90 seconds.

### Timer On/Off

The Timer serves as an extra timer in the kitchen that beeps when the set time has run out. It does not start or stop cooking.

The Timer feature can be used during any of the other oven control functions.

- 1 Press **Timer On/Off** once.  
0:00 appears and **Timer** flashes in the display.

#### NOTE

- Press **Timer On/Off** twice to set the time in minutes and seconds.
- Press **Timer On/Off** once to set the time in hours and minutes.

- 2 Press **plus (+)** or **minus (-)** to select the desired time.

- 3 Press **Timer On/Off** to start the Timer. The remaining time countdown appears in the display.

#### NOTE

- If **Timer On/Off** is not pressed, the display returns to the time of day.
- If the remaining time is not in the display, recall the remaining time by pressing **Timer On/Off**.

- 4 When the set time runs out, **End** shows in the display. The indicator tones sound every 15 seconds until **Timer On/Off** is pressed.

### Canceling the Timer

- 1 Press **Timer On/Off** once.  
The display returns to the time of day.

### Wi-Fi

The **Wi-Fi** button is used to connect the appliance to a home Wi-Fi network.

- 1 Press and hold **Remote Start** for 3 seconds.
- 2 The power on chime sounds, **SEt** appears in the display, and the Wi-Fi icon (📶) blinks.
- 3 Connect the appliance to the Wi-Fi network using the **LG ThinQ** smartphone app.

## 22 OPERATION

- 4 To disconnect the appliance from the network, delete it from the connected appliances in the app.

### NOTE

- See the Smart Functions section in the owner's manual for more details.

### Settings (Hour Mode, Convection Auto Conversion, Calibrating the Oven Temperature, Preheat Alarm Light, Beeper Volume, Fahrenheit or Celsius, Cooktop on Alert Volume)

Press the **Settings** button repeatedly to toggle through and change oven settings.

The **Settings** button allows you to:

- **set the hour mode on the clock (12 or 24 hours)**
- **enable/disable convection auto conversion**
- **calibrate the oven temperature**
- **activate/deactivate the preheating alarm light**
- **set the beeper volume**
- **switch the temperature scale between Fahrenheit and Celsius**
- **set the cooktop on alert volume**

#### Setting the Hour Mode

The control is set to use a 12-hour clock. To set the clock to 24-hour mode, follow the steps below.

- 1 Press and hold **Clock** for 3 seconds.
- 2 Press **plus (+)** or **minus (-)** to toggle between a 12-hour and 24-hour clock.
- 3 Press **START** to accept the change.

#### Setting Convection Auto Conversion

When **Conv. Bake** is selected, Convection Auto Conversion automatically converts the standard recipe temperature entered to a convection temperature by subtracting 25 °F / 14 °C. This auto converted temperature shows on the display. For example, select **Conv. Bake**, enter 350 °F, and 325 °F shows on the display after preheat.

- 1 Press and hold **Clock** for 3 seconds. Then press the **Clock** key repeatedly until **12/24** appears in the display.

- 2 Press **plus (+)** or **minus (-)** to enable or disable the feature.

- 3 Press **START** to accept the change.

### NOTE

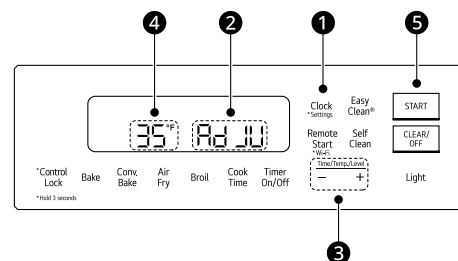
- The convection cooking mode uses air circulation to cook faster and more evenly than the normal cooking mode, so you can get better cooking results than normal baking even when the temperature is reduced by 25°F / 14°C.

### Calibrating the Oven Temperature

When you start using the oven, pay careful attention to the recommended temperatures, times, and rack positions in the manual. This oven may differ from your previous oven, and it may take some time to become accustomed to it. If you have followed the recommended guides for this oven and still believe that the temperature is hotter or colder than expected, you can manually calibrate the displayed oven temperature.

There are 2 methods for adjusting the temperature display.

- **Method 1:** Try to gauge how much to increase or decrease the displayed temperature by testing familiar recipes at higher or lower temperatures than recommended. This may help you decide the amount of temperature adjustment you want.
- **Method 2:** Adjust the temperature to 15 °F (8 °C) hotter or cooler at first. Try the oven with this setting. If you still need to adjust the oven temperature, use the results of the first adjustment as a reference and vary the temperature adjustment amount until the oven temperature display is calibrated to your satisfaction.



- 1 Press and hold **Clock** ❶ for 3 seconds. Then press **Clock** repeatedly until **Adj** ❷ appears in the display.
- 2 Set the number of degrees to adjust :
  - Press or press and hold **plus (+)** or **minus (-)** ❸ until the desired number of degrees appears in the display.
  - The temperature adjustment is shown next to **Adj** ❹.
  - You can adjust the temperature up or down by 35 °F or 19 °C.
- 3 Press **START** ❺ to accept the change.

**NOTE**

- This adjustment does not affect the broiling or Self Clean temperatures. The adjustment is retained in memory after a power failure. The oven temperature can be adjusted by  $\pm 35$  °F ( $\pm 19$  °C).
- Once the temperature is adjusted, press **Settings** repeatedly until **Adj** is displayed to see the amount you adjusted and change it if needed.
- The temperatures displayed by an oven thermometer placed in the oven cavity may differ from the actual set oven temperature in all modes.

**Turning the Preheat Alarm Light On/Off**

When the oven reaches its set-temperature, the preheating alarm light flashes 5 times or until the oven door is opened.

You can activate or deactivate the preheating alarm light.

- 1 Press and hold **Clock** for 3 seconds. Then press **Clock** repeatedly until **PrE** appears in the display.
- 2 Press **plus (+)** or **minus (-)** to turn the light on/off.
- 3 Press **START** to accept the change.

**Adjusting the Beeper Volume**

- 1 Press and hold **Clock** for 3 seconds. Then press **Clock** repeatedly until **BEEP** appears in the display.
- 2 Press **plus (+)** or **minus (-)** to select the desired volume.
- 3 Press **START** to accept the change.

**NOTE**

- Adjusting the beeper volume does not affect the preheat alarm volume.

**Selecting Fahrenheit or Celsius**

Set the oven temperature display to show either Fahrenheit (°F) or Celsius (°C) units. The oven defaults to Fahrenheit unless changed by the user.

- 1 Press and hold **Clock** for 3 seconds. Then press **Clock** repeatedly until **Unit** appears in the display.
- 2 Press **plus (+)** or **minus (-)** to select **F** (Fahrenheit) or **C** (Celsius).
- 3 Press **START** to accept the change.

**Adjusting Cooktop on Alert Volume**


- 1 Press and hold **Clock** for 3 seconds. Then press **Clock** repeatedly until **CEOP** appears in the display.
- 2 Press **plus (+)** or **minus (-)** to select **Hi, Lo, Off**.
- 3 Press **START** to accept the change.

**Control Lock**

The **Control Lock** feature locks the control panel, but does not lock the oven door.

- When the **Control Lock** feature is activated, the cooktop does not operate.

## 24 OPERATION

- 1** Press and hold **Control Lock** for three seconds.
- 2** The lock melody sounds. **LOC** and the lock icon  appear in the display.
- 3** To deactivate the **Control Lock** feature, press and hold **Control Lock** for three seconds. The unlock melody sounds and the controls unlock.

### NOTE

- The **Burner On** indicator light turns on when the knob is turned even if the cooktop element does not operate.

### Changing the Cook Time during Cooking

For example, to change the cook time to 1 hour and 30 minutes during cooking:

- 1** Press **Cook Time**.
- 2** Change the baking time: Press **plus (+)** until 1 hour and 30 minutes appears in the display.
- 3** Press **START** to accept the change.

## Cook Time (Timed Cook)

Set the oven to cook for a specific length of time using the Timed Cook feature. This feature can only be used with the **Bake**, **Conv. Bake**, **Air Fry** and **Broil** modes.

### Setting a Timed Cook

For example, to bake at 300 °F for 30 minutes, first set the clock to the correct time of day.

- 1** Press **Bake**. 350 °F appears in the display.
- 2** Set the temperature. For this example, press **minus (-)** until 300 °F appears in the display.
- 3** Press **Cook Time**. **Timed** flashes in the display. **Bake**, 0:00 and 300 °F appear in the display.
- 4** Set the baking time: Press **plus (+)** until 30:00 appears in the display.
  - The baking time can be set for any amount of time between 1 minute and 11 hours and 59 minutes
- 5** Press **START**.

The oven will continue to cook for the set amount of time and then turn off automatically. When the cooking time has elapsed:

- **End** and the time of day show in the display.

## Minimum & Maximum Default Settings

All of the features listed have a minimum and a maximum time or temperature setting that may be entered into the control. An entry acceptance beep sounds each time a control button is pressed.

An entry error tone (two short tones) sounds if the entry of the temperature or time is below the minimum or above the maximum setting for the feature.

Feature		Min. Temp. / Time	Max. Temp. / Time	Default
Clock	12 hr.	1:00 hr. / min.	12:59 hr. / min.	-
	24 hr.	0:00 hr. / min.	23:59 hr. / min.	-
Timer	12 hr.	0:01 min. / sec.	11:59 hr. / min.	-
	24 hr.	0:01 min. / sec.	11:59 hr. / min.	-
Cook Time	12 hr.	0:01 hr. / min.	11:59 hr. / min.	-
	24 hr.	0:01 hr. / min.	11:59 hr. / min.	-
Conv. Bake		300 °F (*275 °F) / 150 °C (*136 °C)	550 °F / 285 °C	350 °F (*325 °F) / 175 °C (*161 °C) 11:59 hr. / min.
Broil		Lo, 400 °F 0:01 hr. / min.	Hi, 500 °F 3:00 hr. / min.	Hi / 3 hr.
Bake		170 °F / 80 °C	550 °F / 285 °C	350 °F / 175 °C 11:59 hr. / min.
Self Clean		3 hr.	5 hr.	4 hr.
EasyClean		-	-	10 min.
Air Fry		300 °F / 150 °C	550 °F / 285 °C	400 °F / 205 °C 11:59 hr. / min.

### NOTE

- \*: Using auto conversion
- Default cook mode times are without setting a cook time.

## Cooktop

### Precautions when using the Cooktop

#### **WARNING** Before Cooking

- Do not cook on a broken cooktop. If the cooktop is broken, cleaning solutions and spills may

penetrate the broken cooktop and create a risk of electric shock. Contact a qualified technician immediately.

#### During Cooking

- Turn cookware handles inward so they don't extend over adjacent surface units. This reduces the risk of burns, ignition of flammable materials, and spillage due to unintentional contact with the cookware.

## 26 OPERATION

### WARNING

- Always place the pan in the center of the surface unit you are cooking on. Never leave surface units unattended at high heat settings. Proper contact of cookware to burner also will improve efficiency. Boilovers cause smoking and greasy spills that may catch on fire.

#### After Cooking

- Clean cooktop with caution. Do not use sponges or cloth to wipe spills on a hot cooking area. Use a proper metal scraper. If a wet sponge or cloth is used to wipe spills on a hot cooking area, it can cause steam burns. Some cleaners can produce noxious fumes if applied to a hot surface.

### CAUTION

#### Before Cooking

- Do not use the glass cooktop surface as a cutting board.
- Do not turn surface units on before placing cookware.
- Do not store heavy items above the cooktop surface that could fall and damage it.
- Do not place or store flammable or heat sensitive items on the induction cooktop, even when the cooktop is not in use.
- Place cookware on the cooking elements before turning on the induction cooktop.
- Do not place sealed containers on the cooktop.

#### During Cooking

- Never cook directly on the glass. Always use cookware.
- Do not place metallic objects such as knives, forks, spoons, and lids on the induction cooktop surface; they can get hot.
- Use this appliance only for normal household use. It is not designed for commercial or industrial use.
- Never use the appliance to heat the room.
- Use caution when plugging electrical appliances into power outlets near the cooktop. Keep power cords from any contact with the cooktop or cookware.
- Overheated fat and oil can catch fire quickly. Never leave surface elements unattended when frying foods.
- Do not use the induction cooktop to heat aluminum foil, products wrapped in aluminum foil, or frozen foods packaged in aluminum cookware.

- Use caution when plugging electrical appliances into outlets near the cooktop to keep power cords away from the hot cooktop or cookware.
- Users with pacemakers and active heart implants must keep their upper body at a minimum distance of 1 ft (30 cm) from active induction cooking elements. If in doubt, consult the implant manufacturer or your doctor.

#### After Cooking

- Immediately clean spills on the cooking area to prevent a tough cleaning chore later.
- Do not use a steel-wool pad or scrub pad or abrasive cleaning pads. They can scratch the surface.
- After use, switch off the induction cooking element using its control. Do not rely on the pan sensor.

### Pan Preheat Recommendations

Induction cooking may decrease the amount of time required to preheat cookware compared to cooking on a radiant element cooktop or gas surface burner.

Pay close attention to all food items while cooking on the cooktop or in the oven, and until all cooking processes are complete.

### CAUTION

- Remember that induction surface cooking initially heats the cookware VERY QUICKLY if the cookware does not contain food.

### Noises during Cooktop Operation

- **Induction Sound:** The electronic processes involved with induction cooking create some unfamiliar background noises such as a slight buzzing sound. These noises are a normal part of the induction cooking process.
- **Cookware Vibration Sound:** Some cookware will buzz, depending on its construction or base material. The buzz may be more noticeable if the pan or its contents are cold or if the bottom of the pan is not flat. As the pan heats up, the noise will decrease. The noise will also decrease if the power level setting is reduced.
- **Cooling Fan Sound:** The fan may operate while the induction cooktop is in use to reduce the temperature of the product. The cooling fan may also operate after the cooktop is turned off.

**NOTE**

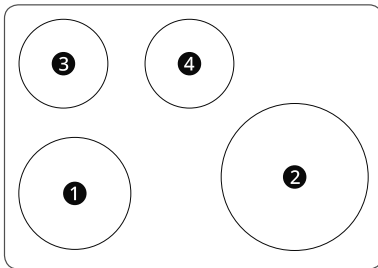
- When using the induction cooktop, operational noises are more noticeable while cooking in **Boost** mode. But very loud noises are not normal when induction cooking.

**Hot Cookware and Residual Heat****CAUTION**

- Unlike radiant surface elements, induction cooking elements do not glow red when hot. You can be burned if the glass surface is hot from the residual heat transferred from the cookware. Do not touch hot cookware or pans. Use oven mitts or potholders to protect hands from burns.

**Cooking Areas**

The cooktop is equipped with four induction cooking elements of different sizes. The wattage ratings below are maximum outputs. The second rating is the maximum output for Boost mode.



- 1 Induction Left Front Cooking Element:  
8", 2100 W / 3200 W (240 V)
- 2 Induction Right Front Cooking Element:  
11", 2400 W / 3900 W (240 V)
- 3 Induction Left Rear Cooking Element:  
6", 1300 W / 1800 W (240 V)
- 4 Induction Center Rear Cooking Element:  
6", 1300 W / 1800 W (240 V)

**Benefits of Induction Surface Cooking****Speed and Efficiency**

Induction cooking elements heat faster and use less energy. Induction power levels quickly boil liquids and are efficient when simmering.

**A Cooler Cooktop**

Whether induction cooking elements are turned on or off, they remain cooler than radiant elements. Virtually no heat is wasted because the heat begins with the presence of cookware.

**Easy Cleanups**

Cooler cooking elements make for easier cleaning. Spills resist sticking or burning so they wipe up easily.

**Pan Size Detection**

A sensor automatically detects and adapts the induction cooking element to the pan size in use for more consistent, even cooking.

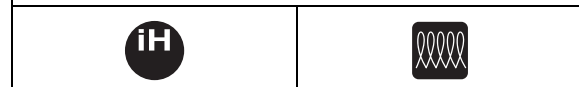
**Greater Responsiveness**

Induction cooking elements are more responsive than their electric or gas counterparts because only the pan heats. Induction elements heat more easily and are just as responsive when reducing temperatures to a simmer.

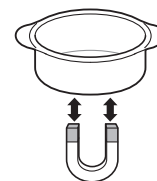
**Induction Cookware****NOTE**

- Before using the induction cooking elements, carefully read and follow these cookware recommendations and the instructions in the pan sensing sections.

When purchasing pans for use on the induction cooktop, look for cookware identified by the manufacturer as "induction ready" or "induction capable", or that is marked by the manufacturer as specifically designed for induction cooking.

**Symbols of Induction Compatible Cookware**

The base material of the cookware must be magnetic for the cooking elements to activate. Use a magnet to check if the cookware base material is suitable. If the magnet sticks to the bottom of the cookware, the cookware can be used for induction cooking.



## 28 OPERATION

For the best possible surface cooking results, use only high-quality, heavy gauge steel cookware on the induction cooking elements. Follow manufacturer's recommendations when using induction cookware.

### Induction Cookware Types

The three most common induction cookware types available are stainless steel, cast iron, and porcelain-enamel-coated metals.

- **Stainless Steel** is generally excellent for induction cooking. It is durable, easy to clean, and resists staining.

#### NOTE

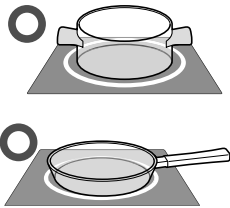
- Not all stainless steel cookware is magnetic; stainless steel is not always suitable for induction cooking.

- **Cast Iron** cooks evenly and is also good for induction cooking. Do not slide cast iron cookware on the cooktop; cast iron cookware with a rough surface will scratch the ceramic cooktop.
- **Porcelain-enamel-coated metals** have variable heating characteristics depending on the quality of the base metal. Make sure the porcelain-enamel coating is smooth to avoid scratching the ceramic cooktop.

### Cookware Placement

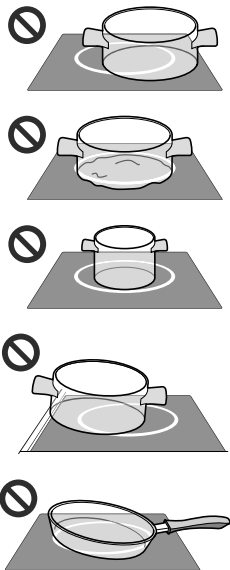
Use the proper cookware and place it correctly on the cooktop. One or more of the cooking elements will not heat if any of the incorrect conditions shown is detected by the sensors located below the ceramic cooktop surface. Correct the problem before attempting to use the cooktop.

#### Correct Use



- Cookware is centered correctly on surface of cooking element.
- Pan has flat bottom and straight sides.
- Pan size meets or exceeds the recommended minimum size for the cooking element.
- Pan rests completely on the cooktop surface.
- Pan is properly balanced.

#### Incorrect Use



- Cookware is not centered on surface of cooking element.
- Pan has curved or warped bottom or sides.
- Pan does not meet the minimum size required for the cooking element used.
- Pan bottom rests on cooktop trim or does not rest completely on the cooktop surface.
- Pan is unbalanced by heavy handle.



## Pan Sensing

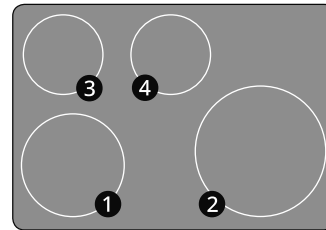
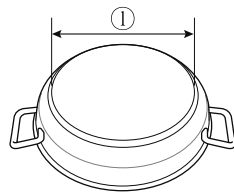
The cooking-element sensors located below the cooktop surface require certain cookware conditions to be met before the induction cooking elements can operate.

If a cooking element is activated and no cookware is detected, or the cookware does not meet the correct conditions, the cooking zone may not heat.

If the problem is not corrected, the affected cooking element will automatically deactivate after one minute.

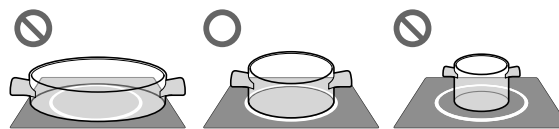
## Minimum and Maximum Pan Size

There are four cooking elements on the induction cooktop. Each element requires a appropriate pan size to be used effectively. The bottom size of the pan must be between the maximum and minimum diameter ① for proper cooking to occur.



Cooking Area	Heater		Diameter of Pan Bottom ①	
	Type	Size (inch)	Min.	Max.
①	Induction	8	7.5 inch (190 mm)	9.2 inch (224 mm)
②	Induction	11	9.5 inch (241 mm)	11.8 inch (300 mm)
③	Induction	6	5.5 inch (140 mm)	7.0 inch (178 mm)
④	Induction	6	5.5 inch (140 mm)	7.0 inch (178 mm)

The pan must make full contact with the glass surface without the bottom of the pan touching the metal cooktop trim.



If the correct induction cookware—centered on any of the active cooking elements—is too small, the pan does not heat.

## Home Canning

### ⚠ CAUTION

- Canning can generate large amounts of steam. Use extreme caution to prevent burns. Raise the lid so that steam is vented away from you. Safe canning requires that harmful micro-organisms are destroyed and jars are sealed completely. When using a water bath canner, maintain a gentle but steady boil for the required time.

Read and observe the following precautions when home canning. Read the information on the USDA (United States Department of Agriculture) website and follow the recommendations there for home canning procedures.

- Use only quality, flat-bottomed canners when home canning. Use a ruler to check the bottom of the canner for flatness.
- Canners with ridges that radiate from the bottom center are not suitable for use on a ceramic glass cooktop.

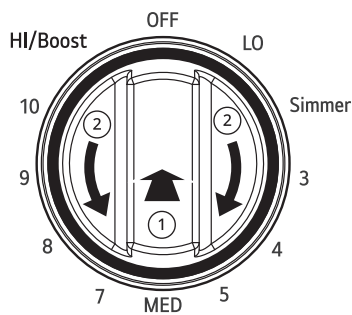
## 30 OPERATION

- The diameter of the canner should not exceed the maximum cooking element markings by more than one inch. Use smaller diameter canners on ranges with ceramic-glass or open-coil-electric cooktops.
- Start with hot tap water to boil water more quickly. Bring water to an initial boil using the highest heat setting. Once the water is boiling, reduce the heat as much as possible while maintaining the boil.
- It is best to can small amounts and keep the canner light enough to lift.
- Do not leave the water bath or pressure canners on high heat for extended periods.
- Alternate surface elements between each batch to allow the elements and surrounding surfaces to cool down. Do not can using the same element all day.

### Using the Cooking Elements

#### Turning On Cooking Elements

- 1 Push the control knob in.
- 2 Turn the knob in either direction to select the desired setting. A short beep sounds.



#### Boost Power Level

**Boost** mode is only available immediately after activating a cooking element. When the cooking element is set to the **Boost** mode, the mode operates for up to 10 minutes. After 10 minutes, the cooking element automatically returns to the level 10 setting.

#### Hot Surface Indicator

The hot surface indicator light glows as long as any surface cooking area is too hot to touch.

It remains on after the element is turned off and until the surface has cooled to approximately 130 °F.

It is normal for the surface elements to cycle on and off when cooking at lower temperature settings.

### The Recommended Surface Cooking Setting

Start most surface cooking on a higher setting and then adjust to a lower setting to finish cooking.

The suggested settings may need adjustments, depending on cookware design and quality and on the amount of food being prepared.

Use quality cookware that is constructed with a magnetic base material and that meets the minimum and maximum pan size requirements.

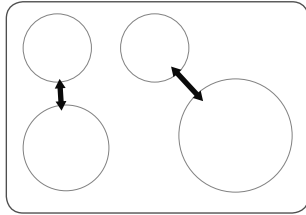
Setting	Recommended Use
Boost	<ul style="list-style-type: none"> <li>• Use to heat a large amount of food or to bring large pans of water to a boil</li> </ul>
10-HI	<ul style="list-style-type: none"> <li>• Bring liquid to a boil</li> <li>• Start most cooking</li> </ul>
MED-10	<ul style="list-style-type: none"> <li>• Hold a rapid boil, fry, deep fat fry</li> <li>• Quickly brown or sear food</li> <li>• Steaks, cutlets, grilled meat</li> </ul>
3-MED	<ul style="list-style-type: none"> <li>• Maintain a slow boil</li> <li>• Fry or sauté foods</li> <li>• Cook soups, sauces and gravies</li> <li>• Eggs, pancakes</li> </ul>
SIMMER-3	<ul style="list-style-type: none"> <li>• Stew or steam food</li> <li>• Simmer</li> </ul>
Lo-SIMMER	<ul style="list-style-type: none"> <li>• Keep food warm</li> <li>• Melt chocolate or butter</li> <li>• Simmer</li> </ul>

### Power Management

The cooking zones, which consist of paired cooking elements, are restricted to drawing a certain maximum amount of power.

If you turn on the Boost function for one element while its paired element is in use, the Power Management function may automatically reduce the power of both elements. For consistent

performance when using multiple elements, use elements in separate cooking zones.



#### NOTE

- If the combined heat of the oven and the surface burners is sufficiently high, the output of the surface burners is reduced to avoid damage to the product.
- Both elements in a set of paired elements cannot use the Boost mode at the same time. To use the Boost mode on two elements simultaneously, use non-paired elements.

## Oven

### Before Using the Oven

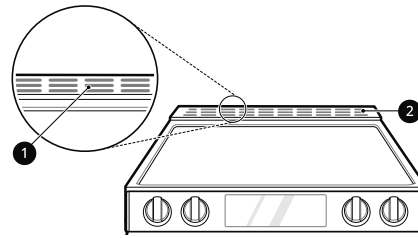
#### NOTE

- Because the oven temperature cycles, an oven thermometer placed in the oven cavity may not show the same temperature that is set on the oven.
- It is normal for the convection fan to run while preheating during a regular bake cycle.
- The convection fan motor may run periodically during a regular bake cycle.
- The heat turns off if the door is left open during baking. If the door is left open for longer than 30 seconds during baking, the heat turns off. The heat turns back on automatically once the door is closed.
- Avoid opening the oven door more than necessary during use. This helps the oven maintain temperature, prevents unnecessary heat loss, and saves on energy use.

### Oven Vent

Areas near the vent may become hot during operation and may cause burns. Do not block the vent opening. Avoid placing plastics near the vent as heat may distort or melt the plastic.

It is normal for steam to be visible when cooking foods with high moisture content.



- 1 Oven Vent
- 2 Vent trim

#### CAUTION

- The edges of the range vent are sharp. Wear gloves when cleaning the range to avoid injury.
- Do not block, touch or place items around the oven vent during cooking.
  - Do not block the oven vent when cooking to allow for proper air flow. Do not touch vent openings or nearby surfaces during any cooking operation.

### Using Oven Racks

The racks have a turned-up back edge that prevents them from being pulled out of the oven cavity.

#### CAUTION

- Replace oven racks before turning the oven on to prevent burns.
- Do not cover the racks with aluminum foil, or any other material, or place anything on the bottom of the oven. Doing so will result in poor baking and may damage the oven bottom.
- Only arrange oven racks when the oven is cool.
- Do not place objects heavier than 33 lb (15 kg) on the racks. Do not place heavy objects on the corners of the racks. Doing so can damage the racks.

### Removing Racks

- 1 Pull the rack straight out until it stops.
- 2 Lift up the front of the rack and pull it out.

## 32 OPERATION

### Replacing Racks

- 1 Place the end of the rack on the support.
- 2 Tilt the front end up and push the rack in.

### Bake

Bake is used to prepare foods such as pastries, breads and casseroles.

The oven can be programmed to bake at any temperature from 170 °F (80 °C) to 550 °F (285 °C). The default temperature is 350 °F (175 °C).

### Setting the Bake Function (For example, to bake at 375 °F)

- 1 Press **Bake**. 350 °F appears in the display.
- 2 Set the oven temperature: Press **plus (+)** until 375 °F appears in the display.
- 3 Press **START**. The oven starts to preheat.

#### NOTE

- As the oven preheats, the temperature is displayed and rises in 5-degree increments. Once the oven reaches the set temperature, a tone sounds and the oven light blinks on and off.

- 4 When cooking is complete, press **CLEAR/OFF**.
- 5 Remove the food from the oven.

#### NOTE

- It is normal for the convection fan to operate periodically throughout a normal bake cycle in the oven. This is to ensure even baking results.

### Baking Tips

- Baking time and temperature will vary depending on the characteristics, size, and shape of the baking pan used.
- Check for food doneness at the minimum recipe time.

- Use metal bakeware (with or without a nonstick finish), heatproof glass-ceramic, ceramic or other bakeware recommended for oven use.
- Dark metal pans or nonstick coatings will cook food faster with more browning. Insulated bakeware will slightly lengthen the cooking time for most foods.
- The oven bottom has a porcelain-enamel finish. To make cleaning easier, protect the oven bottom from excessive spillovers by placing a cookie sheet on the rack below the rack you are cooking on. This is particularly important when baking a fruit pie or other foods with a high acid content. Hot fruit fillings or other foods that are highly acidic may cause pitting and damage to the porcelain-enamel surface and should be wiped up immediately.

### Convection Mode

The convection system uses a fan to circulate the heat evenly within the oven. Improved heat distribution allows for even cooking and excellent results while cooking with single or multiple racks.

### Setting the Convection Function (For example, cooking at 375 °F)

- 1 Press **Conv.Bake**. 350 °F appears in the display.
- 2 Set the oven temperature: Press **plus (+)** until 375 °F appears in the display.
- 3 Press **START**. The display shows **Conv. Bake** and the starting temperature of the oven depends on the oven cavity temperature.
  - As the oven preheats, the display shows increasing temperatures in 5-degree increments. Once the oven reaches the set adjusted temperature, a tone sounds and the oven light flashes on and off. The display shows the auto-converted oven temperature, 350 °F, and the fan icon.
- 4 Press **CLEAR/OFF** to cancel at any time or when cooking is complete.

#### NOTE

- The oven fan runs while convection baking. The fan stops when the door is open. In some cases,

the fan may shut off during a convection bake cycle.

**Tips for Convection Baking**

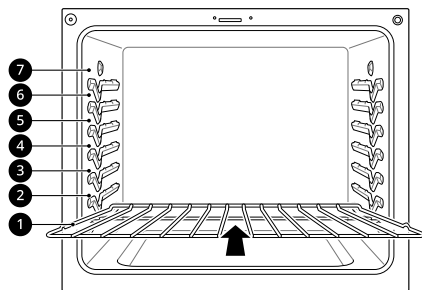
- Use Convection Bake for faster and more even multiple-rack cooking of pastries, cookies, muffins, biscuits, and breads of all kinds.
- Bake cookies and biscuits on pans with no sides or very low sides to allow heated air to circulate around the food. Food baked on pans with a dark finish will cook faster.
- When using Convection Bake, place the oven racks in the positions suggested in the charts in this manual.
- Multiple oven rack cooking may slightly increase cook times for some foods.
- Cakes, cookies and muffins have better results when using multiple racks.

**Recommended Baking Guide**

Baking results will be better if baking pans are centered in the oven as much as possible. If cooking on multiple racks, place the oven racks in the positions shown.

Multiple-rack cooking saves time and energy. Whenever possible, cook foods requiring the same cooking temperature together in one oven.

**Rack and Pan Placement**



Multiple rack baking	
Standard rack (Position 2)	Standard rack (Position 5)

Single rack baking
Standard rack

ENGLISH

**Baking Rack Guide**

Food		Rack position
Cakes	Layer cakes	2
	Bundt cakes	3
	Angel food cake	3
Cookies	Sugar cookies	4
	Chocolate chips	4
	Brownies	4
Pizza	Fresh	3
	Frozen	3
Pastry Crust	From scratch	4
	Refrigerated	4
Breads	Biscuit, canned	5
	Biscuit, from scratch	5
	Muffins	4
Desserts	Fruit crisps and cobbles, from scratch	4
	Pies, from scratch, 2-crust fruit	4
	Custards	Cheesecake, crème brûlée
Soufflés	Sweet or savory	2
Casserole	Frozen lasagna	4

**Broil**

The Broil function uses intense heat from the upper heating element to cook food. Broiling works best for tender cuts of meat, fish, and thinly cut vegetables.

Some models may feature a hybrid broiler consisting of an inner broiler that utilizes a carbon heating element which provides instantaneous heat, and a traditional outer broiling element. During normal broiler operation, it is normal for either element to cycle off intermittently.

## 34 OPERATION

### **CAUTION**

- Do not use a broiler pan without a grid. Oil can cause a grease fire.
- Do not cover the grid and broiler pan with aluminum foil. Doing so will cause a fire.
- Always use a broiler pan and grid for excess fat and grease drainage. This will help to reduce splatter, smoke, and flare-ups.
- When using your broiler, the temperature inside the oven will be extremely high. Take care to avoid possible burns by:
  - Keeping the door closed when broiling
  - Always wearing oven mitts when inserting or removing food items

### **NOTE**

- This range is designed for closed-door broiling. Close the door to set the Broil function. If the door is open, the Broil function cannot be set and "door" appears on the display. Close the door and reset the Broil function. Opening the door turns off the broil burner during broiling. If the door is opened during broiling, the broil burner turns off after five seconds. The broiler turns back on automatically once the door is closed.

### Setting the Oven to Broil

- 1** Press **Broil**. Press **Broil** repeatedly to switch between **Hi** and **Lo**.
- 2** Press **START**. The oven begins to heat.
- 3** Let the oven preheat for approximately five minutes before cooking the food if using **Broil**.
- 4** Place food in the oven.

### Recommended Broiling Guide

The size, weight, thickness, starting temperature, and your preference of doneness will affect broiling times.

- 5** Close the oven door. The oven door must be closed during broiling.

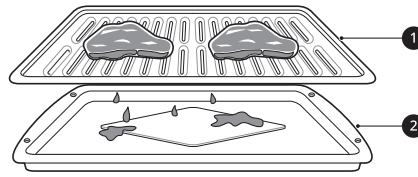
- 6** Press **CLEAR/OFF** to cancel at any time or when cooking is complete.

### Tips for Reducing Smoke

Due to the intense heat associated with broiling, it is normal to experience smoke during the cooking process. This smoke is a natural byproduct of searing and should not cause you to worry. If you are experiencing more smoke than you are comfortable with, use the following tips to reduce the amount of smoke in your oven.

- Always use a broiler pan. Do not use saute pans or regular baking sheets for safety reasons.
- The broiler pan should always be thoroughly cleaned and at room temperature at the beginning of cooking.
- Always run your cooktop ventilation system or vent hood during broiling.
- Keep the interior of your oven as clean as possible. Leftover debris from prior meals can burn or catch fire.
- Avoid fatty marinades and sugary glazes. Both of these will increase the amount of smoke you experience. If you would like to use a glaze, apply it at the very end of cooking.
- If you are experiencing significant smoke with any food item, consider:
  - Lowering the broiler to the **Lo** setting.
  - Lowering the rack position to cook the food farther away from the broiler.
  - Using the **Hi** broil setting to achieve the level of searing you desire, and then either switching to the **Lo** broil setting, or switching to the Bake function.
- As a rule, fattier cuts of meat and fish will produce more smoke than leaner items.
- Adhere to the guidelines in the **Recommended Broiling Guide** section whenever possible.

This guide is based on meats at refrigerator temperature. For best results when broiling, use a pan designed for broiling.



- ❶ Grid (sold separately)
- ❷ Broiler Pan (sold separately)

Food	Quantity and/or Thickness	Rack Position	First Side (min.)	Second Side (min.)	Comments	
<b>Hamburgers</b>	9 patties 1/2 to 3/4" thick	7	3-6	2-4	Space evenly. Up to 9 patties may be broiled at once.	
<b>Chicken</b>	1 whole, 2 to 2 1/2 lbs., split lengthwise	5	8-10	4-6	Broil skin-side-down first.	
	2 Breasts	5	8-10	5-7		
<b>Toast</b>	1 to 9 pieces	7	0.5-1	0.5		
<b>Beef Steaks</b>	1" thick 1 to 1 1/2 lbs.	Rare	7	3-5	Steaks less than 1" thick cook through before browning. Pan frying is recommended. Slash fat.	
		Medium	7	4-6		
		Well done	7	5-7		
	1 1/2" thick 2 to 2 1/2 lbs.	Rare	5	7-9		4-6
		Medium	5	9-11		6-8
		Well done	5	11-13		8-10
<b>Lobster Tails</b>	2-4 10 to 12 oz. each	5	9-12	Do not turn over	Cut through back of shell. Spread open. Brush with melted butter before broiling and after half of broiling time.	
<b>Fish Fillets</b>	1/4 to 1/2" thick	6	2-4	2-4	Handle and turn very carefully. Brush with lemon butter before and during cooking, if desired.	
<b>Ham Slices (precooked)</b>	1/2" thick	5	2-4	2-4	Increase time 5 to 10 minutes per side for 1 1/2" thick or home-cured ham.	
<b>Pork Chops</b> Well done	2 (1 1/2" thick)	6	3-6	4-7		
	2 (1" thick) about 1 lb.	5	5-8	5-8		

## 36 OPERATION

Food	Quantity and/or Thickness	Rack Position	First Side (min.)	Second Side (min.)	Comments
Lamb Chops	2 (1" thick) about 10 to 12 oz.	Medium	6	3-5	
		Well done	6	5-7	
	2 (1 1/2" thick) about 1 lb.	Medium	6	7-9	
		Well done	6	9-11	
Salmon Steaks	2 (1" thick)	5	8-10	3-5	Grease pan. Brush steaks with melted butter.
	4 (1" thick) about 1 lb.	5	9-11	4-6	

- This guide is only for reference. Adjust cook time according to your preference.
- Do not use the gliding rack in position 7.

### NOTE

- The USDA advises that consuming raw or undercooked fish, meat, or poultry can increase your risk of food-borne illness.
- The USDA has indicated the following as safe minimum internal temperatures for consumption:
  - Ground beef: 160 °F (71.1 °C)
  - Poultry: 165 °F (73.9 °C)
  - Beef, veal, pork, or lamb: 145 °F (62.8 °C)
  - Fish / Seafood: 145 °F (62.8 °C)

### Tips for Broiling

- **Beef**
  - Steaks and chops should always be allowed to rest for five minutes before being cut into and eaten. This allows the heat to distribute evenly through the food and creates a more tender and juicy result.
  - Pieces of meat that are thicker than two inches should be removed from the refrigerator 30 minutes prior to cooking. This will help them cook more quickly and evenly, and will produce less smoke when broiling. Cooking times will likely be shorter than the times indicated in the Broiling Chart.
  - For bone-in steaks or chops that have been frenched (all meat removed from around the bone), wrap the exposed sections of bone in foil to reduce burning.
- **Seafood**
  - When broiling skin-on fish, always use the Lo broil setting and always broil the skin side last.
  - Seafood is best consumed immediately after cooking. Allowing seafood to rest after cooking can cause the food to dry out.
  - It is a good idea to rub a thin coating of oil on the surface of the broiling pan before cooking to reduce sticking, especially with fish and seafood. You can also use a light coating of non-stick pan spray.
- **Vegetables**
  - Toss your vegetables lightly in oil before cooking to improve browning.

### Air Fry

This feature automatically increases the entered temperature by 50 °F for optimal performance when using Air Fry.

The Air Fry function is specially designed for oil-free frying.



## Setting the Air Fry Function

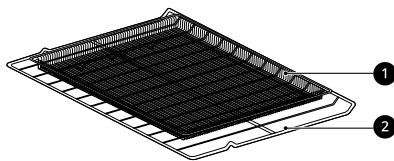
- 1 Press **Air Fry**.
- 2 Set the oven temperature. (Range: 300 °F ~ 550 °F)
- 3 Press **START**.
- 4 When cooking is complete, press **CLEAR/OFF**.

### NOTE

- No preheating is required when using the Air Fry mode.
- If cooking multiple batches, the later batches may take less time to cook.
- Wet batters and coatings will not crisp or set when using the Air Fry mode.

### Tips for Air Fry

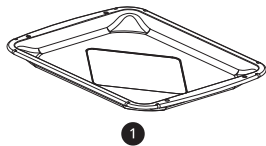
- For best results, use the provided air fry tray.
  - The mesh section of the air fry tray can be cleaned in a dishwasher.



① Air Fry Tray

② Standard Rack

- If you don't have the air fry tray, place food on a wire rack inside a foil-lined broiler pan.



① Broiler Pan (sold separately)

- For best results, cook food on a single rack placed in positions suggested in the chart in this manual.
- Spread the food out evenly in a single layer.
- Use either the provided air fry tray or a dark baking tray with no sides or short sides that does not cover the entire rack. This allows for better air circulation.

- If desired, spray the baking tray or air fry tray with a pan spray. Use an oil that can be heated to a high temperature before smoking, such as avocado, grapeseed, peanut or sunflower oil.
- Place a foil-lined baking tray on a rack in position 1 to catch the oil falling from the food. For high-fat foods like chicken wings, add a few sheets of parchment paper to absorb the fat.
- Check food often and shake it or turn it over for crisper results.
- Prepared frozen foods may cook faster with the Air Fry mode than stated on the package. Reduce the cooking time by about 20 percent, check food early, and adjust cooking time as needed.
- Use a food thermometer to make sure food has reached a safe temperature for consumption. Eating undercooked meats can increase your risk of food-borne illness.
- For the crispiest results, dredge fresh chicken wings or tenders in seasoned flour. Use 1/3 cup flour for 2 pounds of chicken.

### Recommendations When Air Frying High-Fat Foods

Foods high in fat will smoke when using the Air Fry mode. For best results, follow these recommendations when air frying foods that are high in fat, such as chicken wings, bacon, sausage, hot dogs, turkey legs, lamb chops, ribs, pork loin, duck breasts, or some plant-based proteins.

### CAUTION

- Never cover slots, holes, or passages in the oven bottom or cover entire racks with materials such as aluminum foil. Doing so blocks airflow through the oven and can result in carbon monoxide poisoning. Aluminum foil can also trap heat, causing a fire hazard or poor oven performance.
- Clean the grease filters on your exhaust hood regularly.
- Turn on your exhaust hood at a high fan setting before you start Air Fry and leave it on for 15 minutes after you're done.
- Open a window or sliding glass door, if possible, to make sure the kitchen is well-ventilated.
- Keep the oven free from grease buildup. Wipe down the interior of the oven before and after air frying (once the oven has cooled).
- Run oven cleaning cycles (Easy Clean or SelfClean) regularly, depending on how often and what types of food you Air Fry.

### 38 OPERATION

- Avoid opening the oven door more than necessary to help maintain the oven temperature, prevent heat loss, and save energy.
- Air-frying fresh chicken pieces such as wings or drumsticks with the skin left on can produce smoke as the fat renders at high temperatures.

### Recommended Air Frying Guide

- Arrange food evenly in a single layer.
- Put a foil-lined baking pan on a rack in position 1 to catch drips. If needed, add parchment paper to absorb oil and reduce smoking.
- Flip food over during cooking to avoid burning it.

† High-fat items may produce more smoke when cooked using Air Fry.

Recommended Items	Quantity (oz)	Temp. (°F)	Rack Position	Time	Guide
<b>POTATOES-Frozen</b>					
Frozen French Fries (Shoestring)	20	425	4	20-30	
Frozen French Fries (Crinkle cut, 3/4" or 10 mm)	35	425	4	25-35	
Frozen Sweet Potato Fries	25	425	4	20-35	
Frozen Tater Tots	50	450	4	22-32	
Frozen Hash Browns	40	450	4	25-35	
<b>POTATOES-Fresh/Homemade</b>					
Homemade French Fries (3/4" x 3/4" or 10 x 10 mm)	25	450	4	27-37	Cut the potatoes and soak for 30 minutes in hot tap water. Drain and pat dry. Brush or lightly spray with 3 tbsp. of oil. Add salt and pepper to taste.
Homemade Potato Wedges	60	450	4	30-40	
<b>CHICKEN-Frozen</b>					
Frozen Chicken Nuggets, Crispy	30	425	4	15-25	
Frozen Chicken Strips	35	425	4	30-40	
Frozen Hot Wings, Bone-in	50	425	4	30-40	
<b>CHICKEN-Fresh, Skin on</b>					
Fresh Chicken Wings†	40	450	4	30-35	Brush or lightly spray with 1 tbsp. of oil. Add salt and pepper to taste.
Fresh Chicken Drumsticks†	70	450	4	35-45	
Thighs	40	450	4	30-35	
Breasts	40	450	4	30-35	
<b>OTHER</b>					
Frozen Onion Rings, Breaded	20	425	4	20-30	

Recommended Items	Quantity (oz)	Temp. (°F)	Rack Position	Time	Guide
Frozen Spring Rolls (0.7 oz each)	45	425	4	25-35	
Thin Sausage (2.5 oz each, diameter 0.8")	90	425	4	25-35	
Frozen Coconut Shrimp	25	425	4	30-40	Brush or lightly spray the surface of food with oil.
Fresh Scallops on the half shell (35.3 oz)	35	425	4	20-30	Melt 4 tbsp. of butter and brush on scallops. Mix 1/2 cup bread crumbs, 1 tbsp. minced garlic, 1/4 cup grated parmesan cheese and season to taste. Sprinkle mixture over scallops.
Fresh Shrimp	50	425	4	25-35	
Mixed Vegetables	35	450	4	17-28	Brush or lightly spray with 4 tbsp. of olive oil. Add salt and pepper to taste.

## Remote Start

This feature starts preheating and maintains the temperature for up to 12 hours (including preheating time). The appliance must be connected to a home Wi-Fi network to use Remote Start. Once Remote Start is selected on the appliance, you can start or stop it remotely using the LG ThinQ smartphone app. Follow the instructions in the Smart Functions section to connect the appliance to the network.

### Setting Remote Start

- 1 Open the oven door to make sure the oven is ready for pre-heating. Close the oven door.
- 2 Press **Remote Start**.
- 3 Follow the instructions in the smartphone app to set the cook mode, temperature, and run time (preheating time plus holding time).

#### NOTE

- Remote Start may not start if
  - The appliance is not connected to the Wi-Fi network and/or **OFF** appears in the display.
  - Remote Start is not set up in the smartphone app.

- The oven door is open. If the oven door is open, a short beep sounds.

## Using the Sabbath Mode

Sabbath mode is typically used on the Jewish Sabbath and Holidays. When the Sabbath mode is activated, the oven does not turn off until the Sabbath mode is deactivated. In Sabbath mode, all oven function buttons and cooktop knobs are inactive. 5b will appear in the display.

- 1 Press **Bake**.
- 2 Set the desired temperature using the **plus (+)** or **minus (-)** keys.
- 3 Press **START**.
- 4 Press and hold **Clock** for three seconds. 5b appears in the display when the Sabbath mode is activated.

5b

## 40 OPERATION

---

- 5** To stop the Sabbath mode, press and hold **Clock** for 3 seconds. To cancel the Bake function, press **CLEAR/OFF** at any time.

### NOTE

- Sabbath mode is only available when the oven is in the **Bake** mode.
  - If a cook time is set, the oven turns off automatically at the end of the cook time, without chiming. The oven remains in Sabbath mode, but is turned off.
  - If no cook time is set, the oven will not automatically turn off.
  - After a power failure, the display will turn back on in Sabbath mode, but the oven will be off.
  - Always close the oven door before engaging Sabbath mode.
-

# SMART FUNCTIONS

## LG ThinQ Application

This feature is only available on models with Wi-Fi.

The **LG ThinQ** application allows you to communicate with the appliance using a smartphone.

### LG ThinQ Application Features

- **Smart Diagnosis™**
  - This function provides useful information for diagnosing and solving issues with the appliance based on the pattern of use.
- **Settings**
  - Allows you to set various options on the oven and in the application.
- **Monitoring**
  - This function helps you check the current status, remaining time, cook settings and end time in one place.
- **Product Notifications**
  - Turn on the Push Alerts to receive appliance status notifications. The notifications are triggered even if the **LG ThinQ** application is not open.
- **Timer**
  - You can set the timer from the application.
- **Firmware Update**
  - Keep the appliance updated.

#### NOTE

- If you change your wireless router, Internet service provider, or password, delete the connected appliance from the **LG ThinQ** application and connect it again.
- This information is current at the time of publication. The application is subject to change for product improvement purposes without notice to users.

## Installing LG ThinQ Application and Connecting an LG Appliance

### Models with QR Code

Scan the QR code attached to the product using the camera or a QR code reader application on your smartphone.



### Models without QR Code

- 1** Search for and install the **LG ThinQ** application from the Google Play Store or Apple App Store on a smartphone.
- 2** Run the **LG ThinQ** application and sign in with your existing account or create an LG account to sign in.
- 3** Touch the add (+) button on the **LG ThinQ** application to connect your LG appliance. Follow the instructions in the application to complete the process.

#### NOTE

- To verify the Wi-Fi connection, check that the Wi-Fi icon on the control panel is lit.
- The appliance supports 2.4 GHz Wi-Fi networks only. To check your network frequency, contact your Internet service provider or refer to your wireless router manual.
- **LG ThinQ** is not responsible for any network connection problems or any faults, malfunctions, or errors caused by network connection.
- The surrounding wireless environment can make the wireless network service run slowly.
- If the distance between the appliance and the wireless router is too far, the signal becomes weak. It may take a long time to connect or fail to install the application.

## 42 SMART FUNCTIONS


### NOTE

- If the appliance is having trouble connecting to the Wi-Fi network, it may be too far from the router. Purchase a Wi-Fi repeater (range extender) to improve the Wi-Fi signal strength.
- The network connection may not work properly depending on the Internet service provider.
- The Wi-Fi may not connect or the connection may be interrupted because of the home network environment.
- If the appliance cannot be connected due to problems with the wireless signal transmission, unplug the appliance and wait about a minute before trying again.
- If the firewall on your wireless router is enabled, disable the firewall or add an exception to it.
- The wireless network name (SSID) should be a combination of English letters and numbers. (Do not use special characters.)
- Smartphone user interface (UI) may vary depending on the mobile operating system (OS) and the manufacturer.
- If the security protocol of the router is set to **WEP**, network setup may fail. Change the security protocol (**WPA2** is recommended), and connect the product again.
- To disable the **Wi-Fi** function, press and hold the **Wi-Fi** button for 3 seconds. The **Wi-Fi** indicator will be turned off.
- To reconnect the appliance or add another user, press and hold the **Wi-Fi** button for 3 seconds. Run the **LG ThinQ** application and follow the instructions in the application to connect the appliance.

### Installing the LG ThinQ Application

Search for the **LG ThinQ** application from the Google Play Store or Apple App Store on a smartphone. Follow instructions to download and install the application.

### Connecting to Wi-Fi

The **Wi-Fi** button, when used with the **LG ThinQ** application, allows the appliance to connect to a home Wi-Fi network. The  icon shows the status of the appliance's network connection. The icon illuminates when the appliance is connected to the Wi-Fi network.

#### • Initial Appliance Connection

Run the **LG ThinQ** application and follow the instructions in the application to connect the appliance.


#### • Reconnecting the Appliance or Connecting Another User

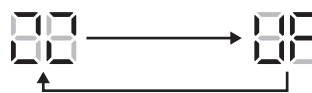
Press and hold the **Wi-Fi** button for 3 seconds. Run the **LG ThinQ** application and follow the instructions in the application to connect the appliance.

### LG UP Feature

Experience new features by upgrading the product through the **LG ThinQ** app.

If an upgradable feature is available, an upgrade notification appears on the display and a melody sounds after cooking has finished or canceled.

For example, the lights on the display may light in sequence until  appears.



- 1 Upgrade notifications are sent to your smartphone when upgradable features are available.
- 2 Press the upgrade notification on your smartphone to enter the **LG Upgrade Center** in the **LG ThinQ** app.
- 3 In the **LG Upgrade Center**, select a new function and press the **Upgrade** button.
  - Do not unplug the product during the upgrade, as doing so may interrupt the upgrade process.
- 4 After the upgrade is complete, check the guide in the **LG ThinQ** app for detailed feature settings.

### NOTE

- This feature is only available on some models.
- After the upgrade is complete, the actual product features may differ from those described in the owner's manual.

## RF Module Specifications

Type	Frequency Range	Output Power (Max.)
Wi-Fi	2412 - 2462 MHz	< 30 dBm
Bluetooth	2402 - 2480 MHz	< 30 dBm

## Industry Canada Statement

This device contains licence-exempt transmitter(s)/ receiver(s) that comply with Innovation, Science and Economic Development Canada's licence-exempt RSS(s). Operation is subject to the following two conditions:

- (1) This device may not cause interference.
- (2) This device must accept any interference, including interference that may cause undesired operation of the device.

## IC Radiation Exposure Statement

This equipment complies with IC radiation exposure limits set forth for an uncontrolled environment.

This equipment should be installed and operated with a minimum distance of 20 cm (7.8 inches) between the antenna and your body.

### NOTE

- THE MANUFACTURER IS NOT RESPONSIBLE FOR ANY RADIO OR TV INTERFERENCE CAUSED BY UNAUTHORIZED MODIFICATIONS TO THIS EQUIPMENT. SUCH MODIFICATIONS COULD VOID THE USER'S AUTHORITY TO OPERATE THE EQUIPMENT.

## Open Source Software Notice Information

To obtain the source code that is contained in this product, under GPL, LGPL, MPL, and other open source licenses that have the obligation to disclose source code, and to access all referred license terms, copyright notices and other relevant documents, please visit <https://opensource.lge.com>.

LG Electronics will also provide open source code to you on CD-ROM for a charge covering the cost of performing such distribution (such as the cost of media, shipping, and handling) upon email request to [opensource@lge.com](mailto:opensource@lge.com).

This offer is valid to anyone in receipt of this information for a period of three years after our last shipment of this product.

## Smart Diagnosis™ Feature

Use this feature to help you diagnose and solve problems with your appliance.

### NOTE

- For reasons not attributable to LGE's negligence, the service may not operate due to external factors such as, but not limited to, Wi-Fi unavailability, Wi-Fi disconnection, local app store policy, or app unavailability.
- The feature may be subject to change without prior notice and may have a different form depending on where you are located.

## Using LG ThinQ to Diagnose Issues

If you experience a problem with your Wi-Fi equipped appliance, it can transmit troubleshooting data to a smartphone using the **LG ThinQ** application.

- Launch the **LG ThinQ** application and select the **Smart Diagnosis** feature in the menu. Follow the instructions provided in the **LG ThinQ** application.

## Using Audible Diagnosis to Diagnose Issues

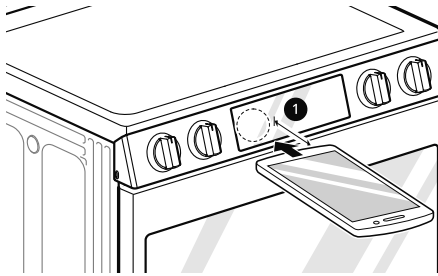
Follow the instructions below to use the audible diagnosis method.

- Launch the **LG ThinQ** application and select the **Smart Diagnosis** feature in the menu. Follow the instructions for audible diagnosis provided in the **LG ThinQ** application.

- 1** Press the **START** button for 3 seconds.
  - If the display has been locked, you must deactivate the lock and then reactivate it.
- 2** Hold the mouthpiece of your phone in front of the control panel, as shown below.

## 44 SMART FUNCTIONS

---



❶ Max: 3/8" (10 mm)

- ❸ Keep the phone in place until the tone transmission has finished. The display will count down the time. Once the countdown is over and the tones have stopped, the diagnosis will be displayed in the application.

---

### NOTE

- For best results, do not move the phone while the tones are being transmitted.
-



# MAINTENANCE

## Cleaning

### CAUTION

- Do not clean this appliance with bleach.
- To prevent burns, wait until the cooktop has cooled down before touching any of its parts.
- Always wear gloves when cleaning the cooktop.

### Interior

Do not use oven cleaners to clean the oven cavity. Use the product's **EasyClean** function regularly to clean light soil. For stubborn soil, use the **Self Clean** function (on some models) or clean manually using the following tips.

- A plastic spatula can be used as a scraper to scrape off any chunks or debris before and during oven cleaning.
- Using the rough side of a non-scratch scouring pad may help to take off burnt-on stains better than a soft sponge or towel.
- Certain non-scratch scrubbing sponges, such as those made of melamine foam, available at local stores, can also help improve cleaning.

### CAUTION

- Do not use oven cleaners, harsh chemical cleaners, bleach, vinegar, steel scouring pads, or abrasive pads or cleansers to clean the oven, as they can permanently damage the oven surface.
- Do not clean the gasket.

### Exterior

#### Control Panel

To prevent activating the control panel during cleaning, disconnect power to the appliance. Clean up splatters with a damp cloth using a glass cleaner. Remove heavier soil with warm, soapy water. Do not use abrasives of any kind.

#### Front Manifold Panel and Knobs

It is best to clean the manifold panel after each use of the range. For cleaning, use a damp cloth and mild soapy water or a 50/50 solution of vinegar and water. Rinse with clean water and polish dry with a soft cloth.

### CAUTION

- Do not use abrasive cleansers, strong liquid cleaners, plastic scouring pads or oven cleaners on the manifold panel. Doing so will damage the finish.
- Do not try to bend the knobs by pulling them up or down, and do not hang a towel or other objects on them. This can damage the gas valve shaft.
- The control knobs may be removed for easy cleaning.
- To clean the knobs, make sure that they are in the **OFF** position and pull them straight off the stems.
- To replace the knobs, make sure the knob has the **OFF** position centered at the top, and slide the knob directly onto the stem.

### NOTE

- To prevent scratching, do not use abrasive cleaners on any of these materials.

### Painted and Decorative Trim

For general cleaning, use a cloth with hot soapy water. For more difficult soils and built-up grease, apply a liquid detergent directly onto the soil. Leave it on for 30 to 60 minutes. Rinse with a damp cloth and dry. Do not use abrasive cleaners.

### Stainless Steel Surfaces

To avoid scratches, do not use steel wool pads.

- 1 Place a small amount of stainless steel appliance cleaner or polish on a damp cloth or paper towel.
- 2 Clean a small area, rubbing with the grain of the stainless steel if applicable.
- 3 Dry and buff with a clean, dry paper towel or soft cloth.
- 4 Repeat as necessary.

## 46 MAINTENANCE

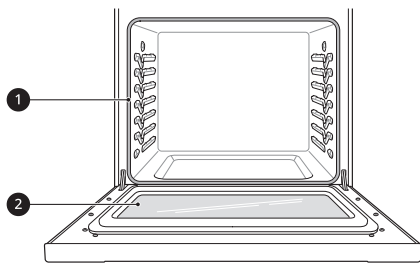
### NOTE

- To clean the stainless steel surface, use warm sudsy water or a stainless steel cleaner or polish.
- Always wipe in the direction of the metal surface finish.
- Stainless steel appliance cleaner or polish can be purchased online or from most retailers of appliances or home goods.

### Oven Door

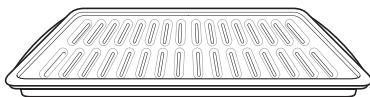
#### CAUTION

- Do not use harsh cleaners or harsh abrasive cleaning materials on the outside of the oven door. Doing so can cause damage.
- Use soapy water to thoroughly clean the oven door. Rinse well. Do not immerse the door in water.
- You may use a glass cleaner on the outside glass of the oven door. Do not spray water or glass cleaner on the door vents.
- Do not use oven cleaners, cleaning powders, or harsh abrasive cleaning materials on the outside of the oven door.
- Do not clean the oven door gasket. The oven door gasket is made of a woven material that is essential for a good seal. Care should be taken not to rub, damage, or remove this gasket.



- 1 Don't hand clean oven door gasket
- 2 Do hand clean door

### Broiler Pan and Grid



- Do not store a soiled broiler pan or grid anywhere in the range.

- Do not clean the broiler pan or grid in a self cleaning mode. (Available on some models)
- Remove the grid from the pan. Carefully pour out the grease from the pan into a proper container.
- Wash and rinse the broiler pan and grid in hot water with a soap-filled or plastic scouring pad.
- If food has burned on, sprinkle the grid with cleaner while hot and cover with wet paper towels or a dishcloth. Soaking the pan will remove burned-on foods.
- Both the broiler pan and grid may be cleaned with a commercial oven cleaner or in the dishwasher.

### Oven Racks

Remove the oven racks before operating the Self Clean cycle (on some models) and EasyClean.

- 1 Clean with a mild, abrasive cleaner.
  - Food spilled into the tracks could cause the racks to become stuck.
- 2 Rinse with clean water and dry.

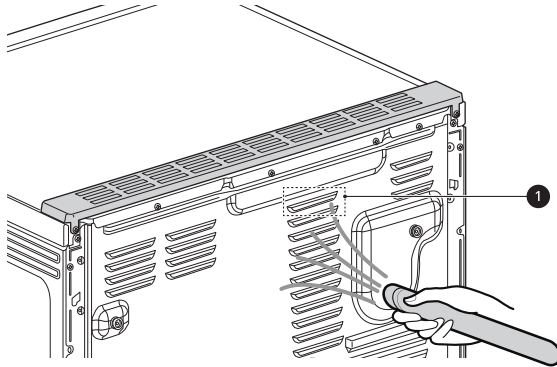
### NOTE

- For models with Self Clean function:
  - If the racks are cleaned using the Self Clean cycle (not recommended), the color will turn slightly blue and the finish will become dull. After the Self Clean cycle is complete, and the oven has cooled, rub the sides of the racks with wax paper or a cloth containing a small amount of oil. This will make the racks glide more easily into the rack tracks.

### Vent Louvers

- The appearance of the range may differ from model to model.

Use a vacuum cleaner with a brush or crevice attachment to clean the vent louvers ①. Do not remove the panel covering the range.



## Cooktop Surface

### Glass-Ceramic Cooktop

#### **⚠ WARNING**

- To protect hands from burns, always wear oven mitts or use pot holders while using a scraper on the hot cooking surface.

#### **⚠ CAUTION**

- If any sugar or food containing sugar spills, or plastic or foil melts on the cooktop, remove the material IMMEDIATELY with a metal razor scraper while the cooking surface is still hot to avoid the risk of damage to the glass-ceramic surface. When used correctly, the scraper will not damage the cooktop surface.
- If water or food containing water spills, remove the spill IMMEDIATELY with a dry paper towel.
- Do not use scrub pads or abrasive cleaning pads. They may damage your cooktop surface.

Use ceramic cooktop cleaner on the glass cooktop. Other cleaners may not be as effective or may scratch, damage or stain the cooktop surface.

To maintain and protect the surface of the glass cooktop, follow these steps:

- 1** Before using the cooktop for the first time, clean it with a ceramic cooktop cleaner. This helps protect the top and makes cleanup easier.
- 2** Use ceramic cooktop cleaner daily to help keep the cooktop looking new.
- 3** Shake the cleaner well. Apply a few drops of cleaner directly to the cooktop.
- 4** Use a paper towel to clean the entire cooktop surface.
- 5** Rinse with clear water and use a dry cloth or paper towel to remove all cleaning residue.

## 48 MAINTENANCE

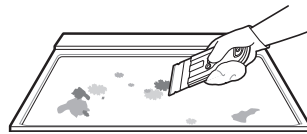
---

### NOTE

- Any damage or failure of the product resulting from the items below may not be covered under the LIMITED WARRANTY.
    - Sugary spillovers (such as preserves, ketchup, tomato sauce, jellies, fudge, candy, syrups, or chocolate) or melted plastics can cause pitting on the surface of your cooktop.
    - If food or water containing calcium (such as baking powder, wine, milk, spinach, or broccoli) is spilled on the cooktop, it can permanently stain or discolor the surface.
- 

### Burned-On Residue

- 1 While the cooktop is still warm, remove any burnt on deposits or spilled food from the glass-ceramic cooking surface with a suitable metal razor scraper.



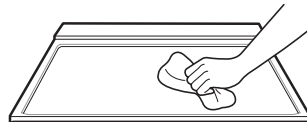
### NOTE

- Do not use a dull or nicked blade.
  - Hold the scraper at approximately a 30° angle to the cooktop.
  - The razor scraper will not damage the markings on the cooking surface.
- 

- 2 When the cooking surface has completely cooled, apply a few dime-sized dabs of a glass-ceramic cooktop cleaner in each burner area. Spread the cleaner over the cooktop surface with a damp paper towel. Leave the cleaner on for 10 minutes before rinsing it off.









- 3 Rinse with clean water and wipe the cooktop surface with a clean, dry paper towel.



### Maintaining the Cooktop

#### ⚠ CAUTION

- Do not use chlorine bleach, ammonia, or other cleaners not specifically recommended for use on glass-ceramic cooktops.
  - Let your glass-ceramic cooking surface cool off before cleaning.
-

	Wipe off with a damp towel and mild detergent	Use a metal scraper	Apply cooktop cleaner. Rub with a towel.	Rinse with a damp towel, then wipe dry.
Regular (Recommended after each use)		-	-	-
Occasional (Recommended every week)	-	-		
Thorough (Recommended for tough stains or burnt-on food)	-			

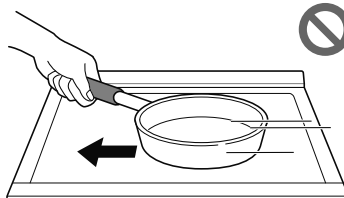
**NOTE**

- For additional product information, visit our website at [www.lg.com](http://www.lg.com)

**Metal Marks and Scratches**

**CAUTION**

- Always use heavier gauge, high-quality cookware on the cooking elements and do not slide it on the ceramic cooktop surface. Even high-quality cookware can scratch the cooktop surface.



- Any cookware that has a rough or dirty bottom can mark and scratch the cooktop surface. Always start with clean cookware.
- Do not use cookware if there is foreign matter on the cooktop surface. Always clean the cooktop surface before cooking.

**NOTE**

- Any damage or failure of the product resulting from the items below may not be covered under the LIMITED WARRANTY.
  - Be careful not to slide pots and pans across the cooktop. Doing so will leave metal markings on the cooktop surface. To help remove these marks, use a ceramic cooktop cleaner with a cleaning pad for ceramic cooktops.
  - If pots with a thin overlay of aluminum or copper are allowed to boil dry, the overlay may leave a black discoloration on the cooktop. This should be removed immediately before heating again or the discoloration may be permanent.

**EasyClean**

LG's EasyClean enamel technology provides two

cleaning options for the inside of the range. The EasyClean feature takes advantage of LG's new enamel to help lift soils without harsh chemicals,

## 50 MAINTENANCE

and it runs using **ONLY WATER** for just 10 minutes in low temperatures to help loosen **LIGHT** soils before hand cleaning.

While EasyClean is quick and effective for small and **LIGHT** soils, the Self Clean feature can be used to remove **HEAVY**, built up soils. The intensity and high heat of the Self Clean cycle may result in smoke which will require the opening up of windows to provide ventilation. Compared to the more intense Self Clean process, your LG oven gives you the option of cleaning with **LESS HEAT, LESS TIME**, and virtually **NO SMOKE OR FUMES**. You can reduce energy use by cleaning light oven soils with the EasyClean feature instead of Self Clean.

When needed, the range still provides the Self Clean option for longer, more thorough oven cleaning for heavier, built up soils.

- For hard to reach areas such as the back surface of the oven, it is better to use the Self Clean cycle.

### Benefits of EasyClean

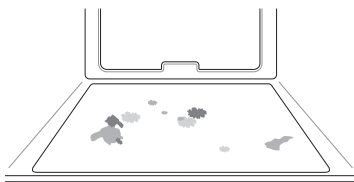
- Helps loosen light soils before hand-cleaning
- EasyClean only uses water; no chemical cleaners
- Makes for a better Self Clean experience
  - Delays the need for a Self Clean cycle
  - Minimizes smoke and odors
  - Can allow shorter Self Clean time

### NOTE

- For models without Self Clean option
  - The EasyClean feature may not be effective in removing heavy, built-up soils. Because the range does not include a Self Clean option, clean the oven regularly using the EasyClean feature to prevent heavy, burnt-on soil from building up in the oven.

### When to Use EasyClean

- Example of oven soiling



#### Case 1

- Soil pattern: Small drops or spots

- Types of soils: Cheese or other ingredients
- Common food items that can soil your oven: Pizza

#### Case 2

- Soil pattern: Light splatter
- Types of soils: Fat/grease
- Common food items that can soil your oven: Steaks, broiled / Fish, broiled / Meat roasted at low temperatures

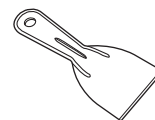
### EasyClean Instruction Guide

#### NOTE

- Allow the oven to cool to room temperature before using the EasyClean cycle. If your oven cavity is above 150 °F (65 °C), Hot will appear in the display, and the EasyClean cycle will not be activated until the oven cavity cools down.
- The range should be level to ensure that the bottom surface of the oven cavity is entirely covered by water at the beginning of the EasyClean cycle.
- For best results, use distilled or filtered water. Tap water may leave mineral deposits on the oven bottom.
- Soil baked on through several cooking cycles will be more difficult to remove with the EasyClean cycle.
- Do not open the oven door during the EasyClean cycle. Water will not get hot enough if the door is opened during the cycle.

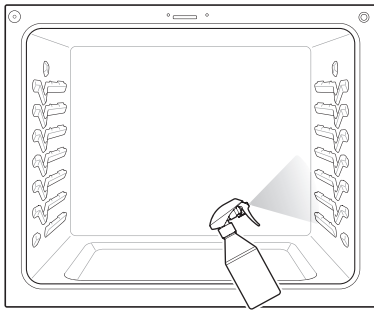
**1** Remove oven racks and accessories from the oven.

**2** Scrape off and remove any burnt-on debris with a plastic scraper.



- Suggested plastic scrapers:
  - Hard plastic spatula
  - Plastic pan scraper
  - Plastic paint scraper
  - Old credit card

- 3 Fill a spray bottle (10 oz or 300 ml) with water and use the spray bottle to thoroughly spray the inside surfaces of the oven.
- 4 Use at least 1/5 (2 oz or 60 ml) of the water in the bottle to completely saturate the soil on both the walls and in the corners of the oven.



- 5 Spray or pour the remaining water (8 oz or 240 ml) onto the bottom center of the oven cavity. The indentation on the oven bottom should be fully covered to submerge all soils. Add water if necessary.

**NOTE**

- If cleaning multiple ovens, use an entire bottle of water to clean each oven. Do not spray water directly on the door. Doing so will result in water dripping to the floor.

- 6 Close the oven door.  
Press **EasyClean**. Press **START**.

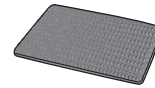
**CAUTION**

- Some surfaces may be hot after the EasyClean cycle. Wear rubber gloves while cleaning to prevent burns.
- During the EasyClean cycle, the oven becomes hot enough to cause burns. Wait until the cycle is over before wiping the inside surface of the oven. Failure to do so may result in burns.
- Avoid leaning or resting on the oven door glass while cleaning the oven cavity.

- 7 A tone will sound at the end of the 10 minute cycle. Press **CLEAR/OFF** to clear the display and end the tone.

- 8 After the cleaning cycle and during hand-cleaning, enough water should remain on the oven bottom to completely submerge all soils. Add water if necessary. Place a towel on the floor in front of the oven to capture any water that may spill out during hand-cleaning.

- 9 Clean the oven cavity immediately after the EasyClean cycle by scrubbing with a wet, non-scratch scouring sponge or pad. (The scouring side will not scratch the finish.) Some water may spill into the bottom vents while cleaning, but it will be captured in a pan under the oven cavity and will not hurt the burner.

**NOTE**

- Do not use any steel scouring pads, abrasive pads or cleaners as these materials can permanently damage the oven surface.

- 10 Once the oven cavity is cleaned, wipe any excess water with a clean dry towel. Replace racks and any other accessories.

- 11 If some light soils remain, repeat the above steps, making sure to thoroughly soak the soiled areas.
  - For models with Self Clean function
    - If stubborn soils remain after multiple EasyClean cycles, run the Self Clean cycle. Be sure that the oven cavity is empty of oven racks and other accessories, and that the oven cavity surface is dry before running the Self Clean cycle. Consult the Self Clean section of your owner's manual for further details. If a Self Clean option is not available, scrape off and remove stubborn soil using a scraper.

**NOTE**

- If you forget to saturate the inside of the oven with water before starting EasyClean, press **CLEAR/OFF** to end the cycle. Wait for the range to cool to room temperature and then spray or pour water into the oven and start another EasyClean cycle.



## 52 MAINTENANCE

### NOTE

- The cavity gasket may be wet when the EasyClean cycle finishes. This is normal. Do not clean the gasket.
- If mineral deposits remain on the oven bottom after cleaning, use a cloth or sponge soaked in vinegar to remove them.
- It is normal for the fan to operate during the EasyClean cycle.
- Using commercial oven cleaners or bleach to clean the oven is not recommended. Instead, use a mild liquid cleanser with a pH value below 12.7 to avoid discoloring the enamel.

### Self Clean

The Self Clean cycle uses extremely hot temperatures to clean the oven cavity. While running the Self Clean cycle, you may notice smoking or an odor. This is normal, especially if the oven is heavily soiled. During Self Clean, the kitchen should be well ventilated to minimize the odors from cleaning.

### Before Starting Self Clean

- Clean only parts listed in manual. Remove the oven racks, broiler pan, broiler grid, all cookware, aluminum foil or any other material from the oven.
  - If oven racks are left in the oven cavity during the Self Clean cycle, they will discolor and become difficult to slide in and out.
- The kitchen should be well ventilated to minimize the odors from cleaning. Open a window or turn on a ventilation fan or hood before self-cleaning.
- Wipe any heavy spillovers on the bottom of the oven.
- Make sure that the oven light cover is in place and the oven light is off.
- Clean the frame of the oven and door with hot soapy water. Rinse well.

### WARNING

- If the oven is heavily soiled with oil, self-clean the oven before using the oven again. The oil could cause a fire.
- If there is a fire in the oven during self-clean, turn the oven off and wait for the fire to go out. Do not force the door open. Introduction of fresh air at self-clean temperatures may lead to

a burst of flame from the oven. Failure to follow this instruction may result in severe burns.

### CAUTION

- Do not use oven cleaners. Commercial oven cleaner or oven liner protective coating of any kind should not be used in or around any part of the oven.
- The oven displays an F error code and sounds three long beeps during the self-cleaning process if it malfunctions in the self-clean mode. Switch off the electrical power to the main fuse or breaker and have the oven serviced by a qualified technician.
- If the self cleaning mode malfunctions, turn the range off and disconnect the power supply. Have it serviced by a qualified technician.
- It is normal for parts of the oven to become hot during a Self Clean cycle. Avoid touching the cooktop, door, window or oven vent area during a Self Clean cycle.
- Do not leave small children unattended near the appliance. During the Self Clean cycle, the outside of the range can become very hot to the touch.
- If you have pet birds, move them to another well-ventilated room. The health of some birds is extremely sensitive to the fumes given off during the Self Clean cycle of any range.
- Do not line the oven walls, racks, bottom or any other part of the range with aluminum foil or any other material. Doing so will destroy heat distribution, produce poor baking results and cause permanent damage to the oven interior (aluminum foil will melt to the interior surface of the oven).

### NOTE

- The oven light cannot be turned on during a Self Clean cycle. The oven light cannot be turned on until the oven temperature has cooled below 500 °F (260 °C) after a Self Clean cycle is complete.
- During the Self Clean cycle, the cooktop elements and warming drawer cannot be used.
- Clean the frame of the oven and door with hot soapy water. Rinse well.
- Do not clean the gasket. The fiberglass material of the oven door gasket cannot withstand abrasion. It is essential for the gasket to remain intact. If you notice it becoming worn or frayed, replace it.



- It is normal for the fan to operate during the Self Clean cycle.
- As the oven heats, you may hear sounds of metal parts expanding and contracting. This is normal and will not damage the oven.
- You may notice some white ash in the oven. Wipe it off with a damp cloth or a soap-filled steel wool pad after the oven cools. If the oven is not clean after one Self Clean cycle, repeat the cycle.
- If oven racks were left in the oven and do not slide smoothly after a Self Clean cycle, wipe racks and rack supports with a small amount of vegetable oil to make them glide more easily.
- After a Self Clean cycle, fine lines may appear in the porcelain because it went through heating and cooling. This is normal and will not affect performance.
- The Self Clean cycle cannot be started if the Control Lock / Lockout feature is active.
- After the oven is turned off, the convection fan keeps operating until the oven has cooled down.

**NOTE**


- The Self Clean cycle can be used for soil that has been built up over time.

**Setting Self Clean**

The Self Clean function has cycle times of 3, 4, or 5 hours.

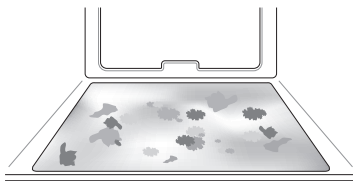
**Self Clean Setting Guide**

Oven Cavity Soil Level	Number Button	Cycle Time
Lightly Soiled	1	3 hr.
Moderately Soiled	2	4 hr.
Heavily Soiled	3	5 hr.

- 1 Remove all racks and accessories from the oven.
- 2 Press **Self Clean**. The oven defaults to the recommended four-hour Self Clean for a moderately soiled oven. Press **plus (+)** or **minus (-)** to select a self clean time from 3 to 5 hours.
- 3 Press **START**.
- 4 Once the Self Clean cycle is set, the oven door locks automatically and the lock icon  displays. You will not be able to open the oven door until the oven has cooled. The lock releases automatically when the oven has cooled.

**When to Use Self Clean**

- Example of oven soiling



**Case 1**

- Soil pattern: Medium to heavy splatter
- Types of soils: Fat/grease
- Common food items that can soil your oven: Meat roasted at high temperatures

**Case 2**

- Soil pattern: Drops or spots
- Types of soils: Filling or sugar based soils
- Common food items that can soil your oven: Pies

**Case 3**

- Soil pattern: Drops or spots
- Types of soils: Cream or tomato sauce
- Common food items that can soil your oven: Casseroles

**CAUTION**

- Do not force the oven door open when the lock icon is displayed. The oven door remains locked until the oven temperature has cooled. Forcing the door open will damage the door.
- Use care when opening the oven door after the Self Clean cycle. Stand to the side of the oven when opening the door to allow hot air or steam to escape. The oven may still be VERY HOT.

## 54 MAINTENANCE

### NOTE

- It may become necessary to cancel or interrupt a Self Clean cycle due to excessive smoke or fire in the oven. To cancel the Self Clean function, press **CLEAR/OFF**.

## Removing/Assembling Lift-Off Oven Doors

### Door Care Instructions

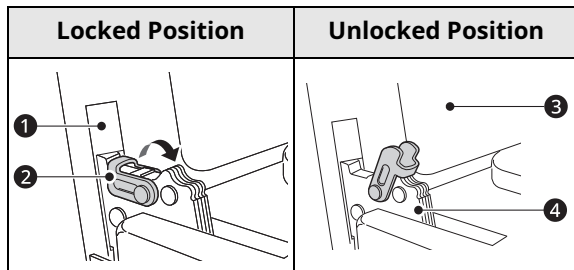
Most oven doors contain glass that can break.

### CAUTION

- Do not close the oven door until all the oven racks are fully in place.
- Do not hit the glass with pots, pans, or any other object.
- Scratching, hitting, jarring, or stressing the glass may weaken its structure causing an increased risk of breakage at a later time.

### Removing Doors

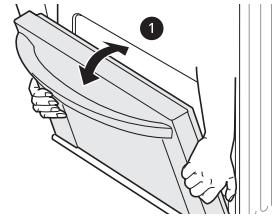
- Fully open the door.
- Lift up the hinge lock **2** and flip it towards the hinge arm **4** completely.



- 1** Slot
- 2** Hinge Lock
- 3** Oven Frame
- 4** Hinge Arm

- Firmly grasp both sides of the door at the top.

- Partially close the door to approximately 5 degrees **1**. If the position is correct, the hinge arms will move freely.

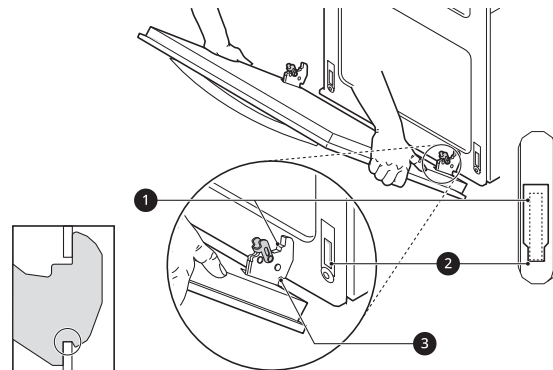


- 1** about 5°

- Lift and pull the door towards you until the hinge latches are completely loosened.

### Assembling Doors

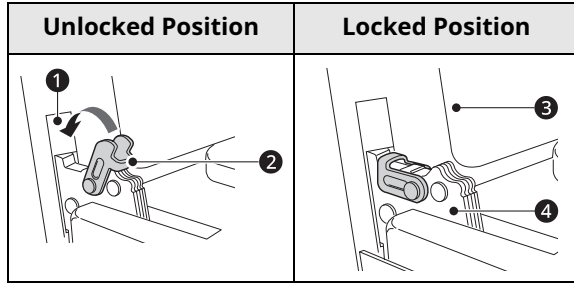
- Firmly grasp both sides of the door at the top.
- Fully insert the hinge arms **1** into the slots **2** until the indentations **3** on the hinge arms rest on the bottom edges of the slots.



- 1** Hinge Arm
- 2** Bottom Edge of Slot
- 3** Indentation

- Slowly open the door fully. Make sure that the hinge arms are properly engaged in the slots.

- Lift up the hinge lock ② and flip it towards the oven ③ until it clicks into position.



- ① Slot
- ② Hinge Lock
- ③ Oven Frame
- ④ Hinge Arm

- Close the oven door.

## Removing/Assembling Drawers

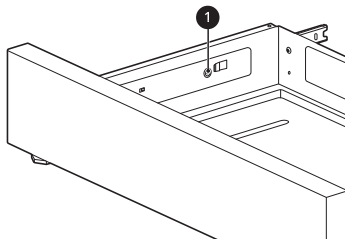
### Removing Drawers

#### ⚠ CAUTION

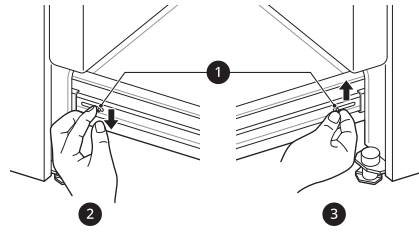
- Disconnect the electrical power to the range at the main fuse or circuit breaker panel. Failure to do so can result in severe personal injury, death, or electrical shock.

Most cleaning can be done with the drawer in place; however, the drawer may be removed if further cleaning is needed. Use warm water to thoroughly clean.

- Fully open the drawer.
- Unscrew the screw ① on the side at the back of the drawer.



- Locate the glide lever on each side of the drawer. Push down on the left glide lever and pull up on the right glide lever.



- ① Lever
- ② Push down with finger
- ③ Pull up with finger

- Pull the drawer away from the range.

### Assembling Drawers

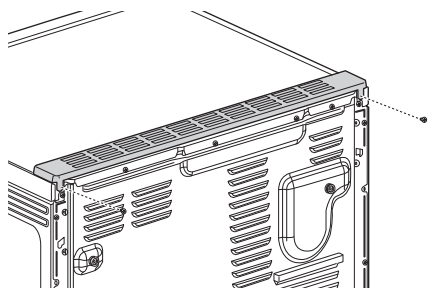
- Pull the bearing glides to the front of the chassis glide.
- Align the glide on each side of the drawer with the glide slots on the range.
- Push the drawer into the range until levers click (approximately 2 inches).
- Insert and tighten the screws on the side at the back of the drawer.
- Pull the drawer open again to seat the bearing glides into position.

## Removing/Assembling the Vent Trim

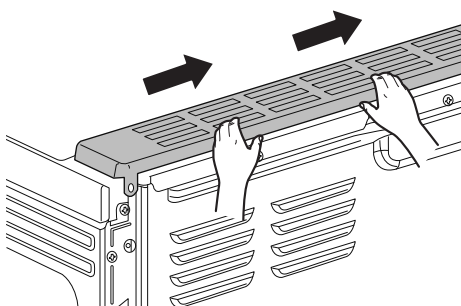
### Removing the Vent Trim

- Using a screwdriver, remove the two screws holding the vent trim in place.

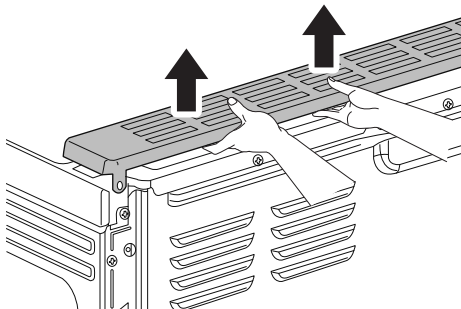
## 56 MAINTENANCE



- 2 Move the vent trim in the indicated direction approximately 1/4".



- 3 Lift the vent trim.



### Assembling the Vent Trim

Assemble the vent trim in the reverse sequence of its removal.

## Periodic Maintenance

### Changing the Oven Light

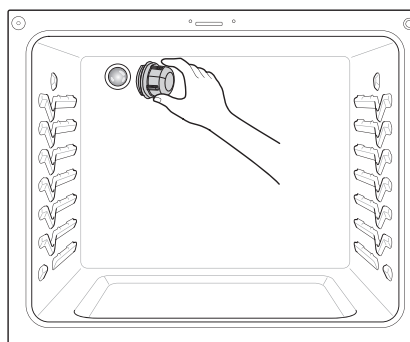
The oven light is a standard 40-watt appliance halogen lamp. It turns on when the oven door is open. When the oven door is closed, press **Light** to turn it on or off.

#### **⚠ WARNING**

- Make sure that the oven and lamp are cool.

- Disconnect the electrical power to the range at the main fuse or circuit breaker panel. Failure to do so can result in severe personal injury, death, or electrical shock.

- 1 Unplug the range or disconnect power.
- 2 Turn the glass lamp cover in the back of the oven counterclockwise to remove.
- 3 Remove the halogen lamp from the socket.
- 4 Insert the new halogen lamp.
- 5 Insert the glass lamp cover and turn it clockwise.
- 6 Plug in the range or reconnect the power.



# TROUBLESHOOTING

## FAQs

### Frequently Asked Questions

**Q: What types of cookware are recommended for use with the cooktop?**

- A:
- The pans must have a flat bottom and straight sides.
  - Only use heavy-gauge pans.
  - The pan size must match the amount of food to be prepared and the size of the surface element.
  - Use tight fitting lids.
  - Only use flat-bottom woks.

**Q: Why do the heating elements appear to be turning ON and OFF during use of the cooktop or oven?**

- A: Depending on your cooktop element setting or the temperature selected in your oven, it is normal for the cooking elements to cycle on and off.

**Q: My new oven doesn't cook like my old one. Is there something wrong with the temperature settings?**

- A: No. Your oven has been factory tested and calibrated. For the first few uses, follow your recipe times and temperatures carefully. If you still think your new oven is too hot or too cold, you can adjust the oven temperature yourself to meet your specific cooking needs. Refer to the Changing Oven Settings section in this manual for easy instructions on how to adjust your thermostat.

**Q: Is it normal to hear a clicking noise coming from the back of my oven when I am using it?**

- A: Your new range is designed to maintain a tighter control over your oven's temperature. You may hear your oven's heating elements click on and off more frequently on your new oven. This is normal.

**Q: Why is the time flashing?**

- A: This means that the product has just been plugged in, or that it has experienced a power interruption. To clear the flashing time, touch any button and reset the clock if needed.

**Q: During convection cooking the fan stops when I open the door. Is that normal?**

- A: Yes, this is normal. When the door is opened, the convection fan will stop until the door is closed.

**Q: Can I use aluminum foil to catch drippings in my oven cavity?**

- A: Never use aluminum foil to line the bottom or sides of the oven or the warming drawer (on some models). The foil will melt and stick to the bottom surface of the oven and will not be removable. Use a foil-lined sheet pan placed on a lower oven rack to catch drippings instead. (If foil has already melted onto the bottom of the oven, it will not interfere with the oven's performance.)

**Q: Can I use aluminum foil on the racks?**

- A: Do not cover racks with aluminum foil. Covering entire racks with foil restricts air flow, leading to poor cooking results. Use a sheet pan lined with foil under fruit pies or other acidic or sugary foods to prevent spills from damaging the oven finish.

### **⚠ CAUTION**

- Foil may be used to wrap food in the oven or warming drawer, but do not allow the foil to come into contact with the exposed heating/broiling elements in the oven. The foil could melt or ignite, causing smoke, fire, or injury.

## 58 TROUBLESHOOTING

---

**Q: Can I leave my racks in the oven when running a Self Clean cycle? (On some models)**

A: No. Although it will not damage the racks, it will discolor them and may make them hard to slide in and out during use. Remove all items from the oven before starting a Self Clean cycle.


**Q: What should I do if my racks are sticky and have become hard to slide in and out?**

A: Over time, the racks may become hard to slide in and out. Apply a small amount of olive oil to the sides of the racks. This will work as a lubricant for easier gliding.

**Q: What should I do for hard to remove stains on my cooktop?**

A: The cooktop should be cleaned after every use to prevent permanent staining. When cooking foods with high sugar content, such as tomato sauce, clean the stain off with a scraper while the cooktop is still warm. Use an oven mitt when scraping to prevent burns. Refer to the MAINTENANCE section of this owner's manual for further instruction.

**Q: Why aren't the function buttons working?**

A: Make sure that the range is not in Control Lock / Lockout mode. The lock  will show in the display if Control Lock / Lockout is activated. To deactivate Control Lock / Lockout, refer to the Control Lock / Lockout section. The unlock melody sounds and **Loc** appears in the display until the controls are unlocked. On models with Sabbath mode, make sure that the range is not in Sabbath mode. See the Sabbath Mode section of the manual for instructions.

**Q: My range is still dirty after running the EasyClean cycle. What else should I do?**

A: The EasyClean cycle only helps to loosen light soils in your oven range to assist in hand-cleaning of your oven. It does not automatically remove all soils after the cycle. Some scrubbing of your oven range is required after running the EasyClean cycle.

**Q: I tried scrubbing my oven after running EasyClean, but some soils still remain. What can I do?**

A: The EasyClean feature works best when the soils are fully soaked and submerged in water before running the cycle and during hand-cleaning. If soils are not sufficiently soaked in water, it can negatively affect the cleaning performance. Repeat the EasyClean process using sufficient water.

- For models with Self Clean function:

Sugar-based and certain greasy soils are especially hard to clean. If some stubborn soils remain, use the Self Clean feature to thoroughly clean your oven.

**Q: Soils on my oven walls are not coming off. How can I get the oven walls clean?**

A: Soils on the side and rear walls of your oven range may be more difficult to fully soak with water. Try repeating the EasyClean process with more than the ¼ cup (2 oz or 60 ml) of spray recommended.

**Q: Will EasyClean get all of the soils and stains out completely?**

A: It depends on the soil type. Sugar-based and certain grease stains are especially hard to clean. Also, if stains are not sufficiently soaked in water, this can negatively affect cleaning performance.

- For models with Self Clean function:

If stubborn or built-up stains remain, use the Self Clean feature. Refer to the Self Clean section of your owner's manual.

**Q: Are there any tricks to getting some of the stubborn soils out?**

A: Scraping the soils with a plastic scraper before and during hand-cleaning is recommended. Fully saturating soils with water is also recommended.

- For models with Self Clean function:

Certain types of soils are harder to clean than others. For these stubborn soils, the Self Clean cycle is recommended. Consult the Self Clean section of your owner's manual for details.

**Q: Is it safe for my convection fan or heater element to get wet during EasyClean?**

- A: Yes. The convection fan or heater element may get a little wet during cleaning. However, direct spray onto the broil burner and heater elements is not necessary because these are self-cleaning during regular use.
- Q: Do I need to use all 1 ¼ cups (10 oz or 300 ml) of water for EasyClean?**
- A: Yes. It is highly recommended that 1 cup (8 oz or 240 ml) of water be sprayed or poured on the bottom and an additional ¼ cup (2 oz or 60 ml) of water be sprayed on walls and other soiled areas to fully saturate the soils for better cleaning performance.
- Q: I see smoke coming out of my oven range's cooktop vents during EasyClean. Is this normal?**
- A: This is normal. This is not smoke. It is actually water vapor (steam) from the water in the oven cavity. As the oven heats briefly during EasyClean, the water in the cavity evaporates and escapes through the oven vents.
- Q: How often should I use EasyClean?**
- A: EasyClean can be performed as often as you wish. EasyClean works best when your oven is LIGHTLY soiled from such things as LIGHT grease splatter and small drops of cheese. Please refer to the EasyClean section in your owner's manual for more information.
- Q: What is required for EasyClean?**
- A: A spray bottle filled with 1¼ cups (10 oz or 300 ml) of water, a plastic scraper, a non-scratch scrubbing pad and a towel. You should not use abrasive scrubbers such as heavy-duty scouring pads or steel wool.
- Q: How can I help keep children safe around the range?**
- A: Children should be supervised around the range whenever it is in use, and after use until surfaces have cooled. You can also use the Control Lock / Lockout feature to help prevent children from accidentally turning on the cooktop or oven. The Control Lock / Lockout feature disables most control panel buttons and the cooktop control knobs. On some models, it also locks the oven door. Consult the Control Lock / Lockout section of your owner's manual for details. (In models without a Self Clean option, the Control Lock / Lockout feature locks the controls but does not lock the oven door.)
- Q: Why isn't the Instaview working? (On some models only)**
- A: Level the range by adjusting the leveling legs with a wrench.

## Before Calling for Service

Review this section before calling for service; doing so will save you both time and money.

### Cooking

Problem	Possible Cause & Solution
Oven will not work	<b>Plug on range is not completely inserted in the electrical outlet.</b> <ul style="list-style-type: none"> <li>Make sure electrical plug is plugged into a live, properly grounded outlet.</li> </ul>
	<b>A fuse in your home may be blown or the circuit breaker tripped.</b> <ul style="list-style-type: none"> <li>Replace the fuse or reset the circuit breaker.</li> </ul>
	<b>Oven controls improperly set.</b> <ul style="list-style-type: none"> <li>See the "Oven" section in the Operation chapter.</li> </ul>
	<b>Oven too hot.</b> <ul style="list-style-type: none"> <li>Allow the oven to cool to below locking temperature.</li> </ul>

## 60 TROUBLESHOOTING

Problem	Possible Cause & Solution
<b>Steam is exhausted through the oven vent.</b>	<b>Cooking foods with high moisture produces steam.</b> <ul style="list-style-type: none"> <li>This is normal.</li> </ul>
<b>Appliance does not operate.</b>	<b>Cord is not plugged in correctly.</b> <ul style="list-style-type: none"> <li>Make sure cord is plugged correctly into outlet. Check circuit breakers.</li> </ul> <b>Service wiring is not complete.</b> <ul style="list-style-type: none"> <li>Contact your electrician for assistance.</li> </ul> <b>Power outage.</b> <ul style="list-style-type: none"> <li>Check house lights to be sure. Call your local electric company for service.</li> </ul> <b>Sabbath mode is activated (on some models). 5b appears in the display and all function buttons are inactive.</b> <ul style="list-style-type: none"> <li>Press and hold the Settings button for 3 seconds or until 5b disappears from the display.</li> </ul>
<b>Oven smokes excessively during broiling.</b>	<b>Control not set properly.</b> <ul style="list-style-type: none"> <li>Follow instructions under Setting Oven Controls.</li> </ul> <b>Meat too close to the element.</b> <ul style="list-style-type: none"> <li>Reposition the rack to provide proper clearance between the meat and the element. Preheat broil element for searing.</li> </ul> <b>Meat not properly prepared.</b> <ul style="list-style-type: none"> <li>Remove excess fat from meat. Cut remaining fatty edges to prevent curling.</li> </ul> <b>Insert on broiler pan wrong side up and grease not draining.</b> <ul style="list-style-type: none"> <li>Always place the grid on the broiler pan with ribs up and slots down to allow grease to drip into the pan.</li> </ul> <b>Grease has built up on oven surfaces. Old grease or food spatters cause excessive smoking.</b> <ul style="list-style-type: none"> <li>Regular cleaning is necessary when broiling frequently.</li> </ul>
<b>Food does not bake or roast properly</b>	<b>Oven controls improperly set.</b> <ul style="list-style-type: none"> <li>See the "Oven" section in the Operation chapter.</li> </ul> <b>Rack position is incorrect or the rack is not level.</b> <ul style="list-style-type: none"> <li>See the "Oven" section in the Operation chapter.</li> </ul> <b>Incorrect cookware or cookware of improper size being used.</b> <ul style="list-style-type: none"> <li>See the "Oven" section in the Operation chapter.</li> </ul> <b>Oven sensor needs to be adjusted.</b> <ul style="list-style-type: none"> <li>See the "Calibrating the Oven Temperature" section in the Operation chapter.</li> </ul>
<b>Food does not broil properly</b>	<b>Oven controls improperly set.</b> <ul style="list-style-type: none"> <li>Make sure you select the <b>Broil</b> mode properly.</li> </ul> <b>Improper rack position being used.</b> <ul style="list-style-type: none"> <li>See the Broiling Guide.</li> </ul> <b>Cookware not suited for broiling.</b> <ul style="list-style-type: none"> <li>Use broiling pan and grid.</li> </ul> <b>Aluminum foil used on the broiling pan and grid has not been fitted properly and slit as recommended.</b> <ul style="list-style-type: none"> <li>See the "Oven" section in the Operation chapter.</li> </ul> <b>In some areas the power voltage may be low.</b> <ul style="list-style-type: none"> <li>Preheat the broil element for 5-7 minutes. See the Broiling Guide.</li> </ul>



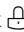
Problem	Possible Cause & Solution
<b>Oven temperature too hot or too cold</b>	<p><b>Oven sensor needs to be adjusted.</b></p> <ul style="list-style-type: none"> <li>• See the "Calibrating the Oven Temperature" section in the Operation chapter.</li> </ul>
<b>Excessive smoking during a Self Clean cycle (On some models)</b>	<p><b>Excessive soil.</b></p> <ul style="list-style-type: none"> <li>• Turn off the Self Clean function. Open the windows to rid the room of smoke. Wait until the Self Clean mode is cancelled. Wipe up the excess soil and reset the clean.</li> </ul>
<b>Burning or oily odor emitting from the vent</b>	<p><b>This is normal in a new oven.</b></p> <ul style="list-style-type: none"> <li>• This will disappear in time. To speed the process, set a Self Clean cycle for a minimum of 3 hours. See the Self Clean section. (On some models)</li> </ul>
<b>Moisture collects on oven window or steam comes from oven vent</b>	<p><b>This happens when cooking foods high in moisture.</b></p> <ul style="list-style-type: none"> <li>• This is normal.</li> </ul>
	<p><b>Excessive moisture was used when cleaning the window.</b></p> <ul style="list-style-type: none"> <li>• Do not use excessive moisture when cleaning the window.</li> </ul>

## Parts & Features

Problem	Possible Cause & Solution
<b>Range is not level.</b>	<p><b>Poor installation.</b></p> <ul style="list-style-type: none"> <li>• Place oven rack in center of oven. Place a level on the oven rack. Adjust leveling legs at base of range until the oven rack is level.</li> <li>• Be sure floor is level and strong and stable enough to adequately support range.</li> <li>• If floor is sagging or sloping, contact a carpenter to correct the situation.</li> </ul>
	<p><b>Kitchen cabinet alignment may make range appear unlevel.</b></p> <ul style="list-style-type: none"> <li>• Be sure cabinets are square and have sufficient room for range clearance.</li> </ul>
<b>Cannot move appliance easily. Appliance must be accessible for service.</b>	<p><b>Cabinets not square or are built in too tightly.</b></p> <ul style="list-style-type: none"> <li>• Contact builder or installer to make appliance accessible.</li> </ul>
	<p><b>Carpet interferes with range.</b></p> <ul style="list-style-type: none"> <li>• Provide sufficient space so range can be lifted over carpet.</li> </ul>
	<p><b>Anti-tip device engaged.</b></p> <ul style="list-style-type: none"> <li>• Uninstall the anti-tip device to move the range. Reengage the anti-tip device after pulling the range out for cleaning, service, or any other reason.</li> </ul>
<b>Surface units will not maintain a rolling boil or cooking is not fast enough.</b>	<p><b>Improper cookware being used.</b></p> <ul style="list-style-type: none"> <li>• Use pans which are flat and match the diameter of the surface unit selected.</li> </ul>
	<p><b>In some areas, the power(voltage) may be low.</b></p> <ul style="list-style-type: none"> <li>• Cover pan with a lid until desired heat is obtained.</li> </ul>
<b>Surface units do not work properly.</b>	<p><b>A fuse in your home may be blown or the circuit breaker tripped.</b></p> <ul style="list-style-type: none"> <li>• Replace the fuse or reset the circuit breaker.</li> </ul>
	<p><b>Cooktop controls improperly set.</b></p> <ul style="list-style-type: none"> <li>• Check to see the correct control is set for the surface unit you are using.</li> </ul>

## 62 TROUBLESHOOTING

Problem	Possible Cause & Solution
<b>Surface unit stops glowing when changed to a lower setting.</b>	<p><b>The unit is still on and hot.</b></p> <ul style="list-style-type: none"> <li>This is normal.</li> </ul>
<b>Areas of discoloration on the cooktop</b>	<p><b>Food spillovers not cleaned before next use.</b></p> <ul style="list-style-type: none"> <li>See the "Glass-Ceramic Cooktop" section in the MAINTENANCE chapter.</li> </ul>
	<p><b>Hot surface on a model with a light-colored cooktop.</b></p> <ul style="list-style-type: none"> <li>This is normal. The surface may appear discolored when it is hot. This is temporary and will disappear as the glass cools.</li> </ul>
<b>Frequent cycling on and off of surface units</b>	<p><b>The element will cycle on and off to maintain the heat setting.</b></p> <ul style="list-style-type: none"> <li>This is normal.</li> </ul>
<b>Scratches or abrasions on cooktop surface</b>	<p><b>Coarse particles such as salt or sand between cooktop and utensils can cause scratches.</b></p> <ul style="list-style-type: none"> <li>Be sure the cooktop surface and bottoms of utensils are clean before using. Small scratches do not affect cooking and will become less visible with time.</li> </ul>
	<p><b>Cleaning materials not recommended for glass-ceramic cooktop have been used.</b></p> <ul style="list-style-type: none"> <li>See the "Glass-Ceramic Cooktop" section in the MAINTENANCE chapter.</li> </ul>
	<p><b>Cookware with rough bottom has been used.</b></p> <ul style="list-style-type: none"> <li>Use smooth, flat-bottomed cookware.</li> </ul>
<b>Metal marks</b>	<p><b>Scraping of metal utensils on cooktop surface.</b></p> <ul style="list-style-type: none"> <li>Do not slide metal utensils on cooktop surface. Use a glass-ceramic cooktop cleaning creme to remove the marks. See the "Glass-Ceramic Cooktop" section in the MAINTENANCE chapter.</li> </ul>
<b>Brown streaks or specks</b>	<p><b>Boilovers are cooked onto surface.</b></p> <ul style="list-style-type: none"> <li>Use a blade scraper to remove soil. See the "Glass-Ceramic Cooktop" section in the MAINTENANCE chapter.</li> </ul>
<b>Areas of discoloration on cooktop</b>	<p><b>Mineral deposits from water and food.</b></p> <ul style="list-style-type: none"> <li>Remove using a glass-ceramic cooktop cleaning creme. Use cookware with clean, dry bottoms.</li> </ul>
<b>Oven control beeps and displays any F code error.</b>	<p><b>Electronic control has detected a fault condition.</b></p> <ul style="list-style-type: none"> <li>Turn off the oven function you are using to clear the display and stop beeping. Reprogram oven. If fault recurs, record fault number and contact a service agent.</li> </ul>
<b>Oven control displays Sb/5b/S6/56 error code.</b>	<p><b>This code is not an error code. It indicates that the product's Sabbath mode 5b is activated.</b></p> <ul style="list-style-type: none"> <li>See the "Using the Sabbath Mode" section in the Operation chapter.</li> </ul>
<b>Displayed colon in the clock is flashing</b>	<p><b>This means that the product has just been plugged in, or that it has experienced a power interruption.</b></p> <ul style="list-style-type: none"> <li>This is normal. Reset the clock or press any button to stop the flashing.</li> </ul>
<b>CLEAN and door flash in the display (On some models)</b>	<p><b>The Self Clean cycle has been selected, but the door is not closed.</b></p> <ul style="list-style-type: none"> <li>Close the oven door.</li> </ul>
<b>Loc is on in the display when you want to cook (On some models)</b>	<p><b>The oven is locked because of the Control Lock / Lockout feature.</b></p> <ul style="list-style-type: none"> <li>Deactivate the <b>Control Lock / Lockout</b> feature.</li> </ul>

Problem	Possible Cause & Solution
Oven light does not work.	<p><b>It is time to replace the lamp or the lamp is loose.</b></p> <ul style="list-style-type: none"> <li>Replace or tighten lamp. See "Changing the Oven Light" section in this Owner's Manual.</li> </ul>
Convection fan stops. (During Conv.Bake mode)	<p><b>Convection fan stops during a convection bake cycle. It is done to allow for more even heating during the cycle.</b></p> <ul style="list-style-type: none"> <li>This is not a failure of the range and should be considered normal operation.</li> </ul>
Fan operation (During Bake mode)	<p><b>This is to ensure even baking results.</b></p> <ul style="list-style-type: none"> <li>It is normal for the fan to operate periodically throughout a normal bake cycle in the oven.</li> </ul>
Oven will not Self Clean. (On some models)	<p><b>The oven temperature is too high to set a Self Clean operation.</b></p> <ul style="list-style-type: none"> <li>Allow the range to cool and reset the controls.</li> </ul>
	<p><b>Oven controls improperly set.</b></p> <ul style="list-style-type: none"> <li>See the Self Clean section.</li> </ul>
	<p><b>A Self Clean cycle cannot be started if the oven Control Lock / Lockout feature is active.</b></p> <ul style="list-style-type: none"> <li>See the "Control Lock / Lockout" in "Changing Oven Settings" section.</li> </ul>
Oven door does not open after a Self Clean cycle (On some models)	<p><b>Oven is too hot.</b></p> <ul style="list-style-type: none"> <li>Allow the oven to cool below locking temperature.</li> </ul>
	<p><b>The control and door may be locked.</b></p> <ul style="list-style-type: none"> <li>Allow about one hour for the oven to cool after the completion of a Self Clean cycle. The door can be opened when the lock  is no longer displayed.</li> </ul>
The oven is not clean after a Self Clean cycle (On some models)	<p><b>Oven controls not properly set.</b></p> <ul style="list-style-type: none"> <li>See the Self Clean section.</li> </ul>
	<p><b>Oven was heavily soiled.</b></p> <ul style="list-style-type: none"> <li>Clean up heavy spillovers before starting the clean cycle. Heavily soiled ovens may need to Self Clean again or for a longer period of time.</li> </ul>
Oven racks are difficult to slide (On some models)	<p><b>The shiny, silver-colored racks were cleaned in a Self Clean cycle.</b></p> <ul style="list-style-type: none"> <li>Apply a small amount of vegetable oil to a paper towel and wipe the edges of the oven racks with the paper towel.</li> </ul>

## Noises

Problem	Possible Cause & Solution
"Crackling" or "popping" sound	<p><b>This is the sound of the metal heating and cooling during both the cooking and Self Clean functions.</b></p> <ul style="list-style-type: none"> <li>This is normal.</li> </ul>
Fan noise	<p><b>A convection fan may automatically turn on and off.</b></p> <ul style="list-style-type: none"> <li>This is normal.</li> </ul>
A chime sounds when surface elements are turned on.	<p><b>When any cooktop burner is activated, a chime sounds to indicate the cooktop is in use.</b></p> <ul style="list-style-type: none"> <li>This is normal.</li> </ul>

## 64 TROUBLESHOOTING

### Wi-Fi

Problem	Possible Cause & Solution
<b>Trouble connecting appliance and smartphone to Wi-Fi network</b>	<b>The password for the Wi-Fi network was entered incorrectly.</b> <ul style="list-style-type: none"> <li>Delete your home Wi-Fi network and begin the connection process again.</li> </ul>
	<b>Mobile data for your smartphone is turned on.</b> <ul style="list-style-type: none"> <li>Turn off the <b>Mobile data</b> on your smartphone before connecting the appliance.</li> </ul>
	<b>The wireless network name (SSID) is set incorrectly.</b> <ul style="list-style-type: none"> <li>The wireless network name (SSID) should be a combination of English letters and numbers. (Do not use special characters.)</li> </ul>
	<b>The router frequency is not 2.4 GHz.</b> <ul style="list-style-type: none"> <li>Only a 2.4 GHz router frequency is supported. Set the wireless router to 2.4 GHz and connect the appliance to the wireless router. To check the router frequency, check with your Internet service provider or the router manufacturer.</li> </ul>
	<b>The appliance and the router are too far apart.</b> <ul style="list-style-type: none"> <li>If the appliance is too far from the router, the signal may be weak and the connection may not be configured correctly. Move the router closer to the appliance or purchase and install a Wi-Fi repeater.</li> </ul>
	<b>During Wi-Fi setup, the app is requesting a password to connect to the product (on certain phones).</b> <ul style="list-style-type: none"> <li>Locate the network name which starts with "LG" under Settings &gt; Networks. Note the last part of the network name. <ul style="list-style-type: none"> <li>If the network name looks like LGE_Appliance_XX-XX-XX, enter lge12345.</li> <li>If the network name looks like LGE_Appliance_XXXX, enter XXXX twice as your password. For example, if the network name appears as LGE_Appliance_8b92, then you would enter 8b928b92 as your password. In this instance, the password is case sensitive and the last 4 characters are unique to your appliance.</li> </ul> </li> </ul>

# LIMITED WARRANTY

## CANADA

### TERMS AND CONDITIONS

**ARBITRATION NOTICE: THIS LIMITED WARRANTY CONTAINS AN ARBITRATION PROVISION THAT REQUIRES YOU AND LG TO RESOLVE DISPUTES BY BINDING ARBITRATION INSTEAD OF IN COURT, UNLESS THE LAWS OF YOUR PROVINCE OR TERRITORY DO NOT PERMIT THAT, OR, IN OTHER JURISDICTIONS, IF YOU CHOOSE TO OPT OUT. IN ARBITRATION, CLASS ACTIONS AND JURY TRIALS ARE NOT PERMITTED. PLEASE SEE THE SECTION TITLED "PROCEDURE FOR RESOLVING DISPUTES" BELOW.**

Should your LG Electric Range ("Product") fail due to a defect in materials or workmanship under normal and proper use, during the warranty period set forth below, LG Electronics Canada, Inc. ("LGECI") will, at its option, repair, replace or pro rate the Product upon receipt of proof of the original retail purchase. This limited warranty is valid only to the original retail purchaser of the Product and applies only to a Product distributed, purchased from an authorized retailer and used within Canada, as determined at the sole discretion of LGECI.

<b>WARRANTY PERIOD: (Note: If the original date of purchase cannot be verified, the warranty will begin sixty (60) days from the date of manufacture).</b>	
Parts and Labor (internal/functional parts only)	Glass Cooktop Radiant Surface Units
One (1) year from the date of original retail purchase	One (1) year from the date of original retail purchase

- Replacement products and parts are warranted for the remaining portion of the original warranty period or ninety (90) days, whichever is greater.
- Replacement products and parts may be new, reconditioned, refurbished, or otherwise factory remanufactured, all at the sole discretion of LGECI.
- Proof of original retail purchase specifying the Product model and date of purchase is required to obtain warranty service under this Limited Warranty.

**LGECI'S SOLE LIABILITY IS LIMITED TO THE LIMITED WARRANTY SET OUT ABOVE. EXCEPT AS EXPRESSLY PROVIDED ABOVE, LGECI MAKES NO, AND HEREBY DISCLAIMS, ALL OTHER WARRANTIES AND CONDITIONS RESPECTING THE PRODUCT, WHETHER EXPRESS OR IMPLIED, INCLUDING BUT NOT LIMITED TO, ANY IMPLIED WARRANTY OR CONDITION OF MERCHANTABILITY OR FITNESS FOR A PARTICULAR PURPOSE, AND NO REPRESENTATIONS SHALL BE BINDING ON LGECI. LGECI DOES NOT AUTHORIZE ANY PERSON TO CREATE OR ASSUME FOR IT ANY OTHER WARRANTY OBLIGATION OR LIABILITY IN CONNECTION WITH THE PRODUCT. TO THE EXTENT THAT ANY WARRANTY OR CONDITION IS IMPLIED BY LAW, IT IS LIMITED TO THE WARRANTY PERIOD SET OUT ABOVE. UNDER NO CIRCUMSTANCES SHALL LGECI, THE MANUFACTURER OR DISTRIBUTOR OF THE PRODUCT, BE LIABLE FOR ANY INCIDENTAL, CONSEQUENTIAL, SPECIAL, DIRECT, INDIRECT, PUNITIVE OR EXEMPLARY DAMAGES, INCLUDING, WITHOUT LIMITATION, LOSS OF GOODWILL, LOST PROFITS, LOSS OF ANTICIPATED PROFITS, LOST REVENUE, LOSS OF USE, OR ANY OTHER DAMAGE, WHETHER ARISING DIRECTLY OR INDIRECTLY FROM ANY CONTRACTUAL BREACH, FUNDAMENTAL BREACH, TORT OR OTHERWISE, OR FROM ANY ACTS OR OMISSIONS. LGECI'S TOTAL LIABILITY, IF ANY, SHALL NOT EXCEED THE PURCHASE PRICE PAID BY YOU FOR THE PRODUCT.**

This Limited Warranty gives you specific legal rights. You may also have other rights that vary from province to province depending on applicable provincial laws. Any term of this Limited Warranty that negates or varies any implied condition or warranty under provincial law is severable where it conflicts with such provincial law without affecting the remainder of this warranty's terms.

### THIS LIMITED WARRANTY DOES NOT COVER:

- Service trips to i) deliver, pick up, or install or; educate on how to operate the Product; ii) correct wiring; or iii) correct unauthorized repairs or installations of the Product;

## 66 LIMITED WARRANTY

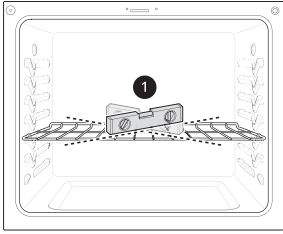
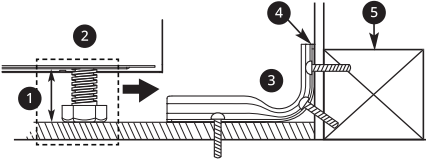
---

- Damage or failure of the Product to perform during power failures and interrupted or inadequate electrical service;
- Damage or failure resulting from operating the Product in a corrosive atmosphere or contrary to the instructions outlined in the Product's owner's manual;
- Damage or failure to the Product caused by accidents, pests and vermin, lightning, wind, fire, floods, acts of God, or any other causes beyond the control of LGECI or the manufacturer;
- Damage or failure resulting from misuse, abuse, improper installation, repair, or maintenance of the Product. Improper repair includes use of parts not authorized or specified by LGECI. Improper installation or maintenance includes installation or maintenance contrary to the Product's owner's manual;
- Damage or failure caused by unauthorized modification or alteration of the Product, or if used for other than the intended household purpose/use of the Product, or damage or failure resulting from any water leakage due to improper installation of the Product;
- Damage or failure caused by incorrect electrical current, voltage or plumbing codes;
- Damage or failure caused by use that is other than normal household use, including, without limitation, commercial or industrial use, including use in commercial offices or recreational facilities, or as otherwise outlined in the Product's owner's manual;
- Damage or failure caused by transportation and handling, including scratches, dents, chips and/or other damage to the finish of the Product, unless such damage results from defects in materials or workmanship and is reported to LGECI within one (1) week of delivery of the Products;
- Damage or missing items to any display, open box, refurbished or discounted Product;
- Refurbished Product or any Product sold "As Is", "Where Is", "With all Faults", or any similar disclaimer;
- Products with original serial numbers that have been removed, altered or cannot be readily determined at the discretion of LGECI;
- Increases in utility costs and additional utility expenses in any way associated with the Product;
- Any noises associated with normal operation of the Product;
- Replacement of light bulbs, filters, fuses or any other consumable parts;
- Replacement of any part that was not originally included with the Product;
- Costs associated with removal and/or reinstallation of the Product for repairs; and
- Shelves, drawers, handle and accessories to the Product, except for internal/functional parts covered under this Limited Warranty.
- Coverage for "in Home" repairs, for products in-warranty, will be provided if the Product is within a 150 km radius from the nearest authorized service center (ASC), as determined by LG Canada. If your Product is located outside a 150 km radius from a ASC, as determined by LG Canada, it will be your responsibility to bring the Product, at your sole expense, to the ASC for in-warranty repair.

### **Not Covered by this Limited Warranty**

Problem	Possible Cause & Prevention
<p><b>Cooktop crack</b></p>	<p><b>Cooktop crack caused by impact of object</b></p> <div style="text-align: center;"> <p>A B</p> </div> <ul style="list-style-type: none"> <li>• A: Out of warranty                     <ul style="list-style-type: none"> <li>- ❶ Mechanical breakage</li> </ul> </li> <li>• A: In warranty                     <ul style="list-style-type: none"> <li>- ❷ Primary crack ❸ Secondary crack</li> </ul> </li> <li>• DO NOT store heavy items above the cooktop surface as they could fall and damage it.</li> <li>• DO NOT scratch the cooktop or the cooktop could crack.</li> <li>• Clean the cooktop before and after using.</li> </ul> <p><b>NOTE</b></p> <ul style="list-style-type: none"> <li>• Damage caused after delivery (Not covered by warranty)</li> </ul>
<p><b>Cooktop enamel chipping off</b></p>	<p><b>Improper usage</b></p> <div style="text-align: center;"> </div> <ul style="list-style-type: none"> <li>• Do not hit enamel cooktop.</li> </ul>
<p><b>Pitting of the cooktop glass</b></p>	<p><b>If not removed immediately, sugary spillovers (such as preserves, ketchup, tomato sauce, jellies, fudge, candy, syrups, or chocolate) or melted plastic or foil can cause surface pitting of the cooktop. (Not covered by warranty)</b></p> <ul style="list-style-type: none"> <li>• Remove the molten material IMMEDIATELY with a metal razor scraper.</li> <li>• For safety, wear an oven mitt or hot pad while scraping the hot surface.</li> </ul>
<p><b>Oven or racks are stained after using aluminum foil</b></p>	<p><b>Aluminum foil has melted in the oven</b></p> <div style="text-align: center;"> </div> <ul style="list-style-type: none"> <li>• Never cover the oven bottom or cover an entire rack with materials such as aluminum foil.</li> <li>• If the foil has already melted onto the oven, it will not affect the performance of the oven.</li> </ul>

**68 LIMITED WARRANTY**

Problem	Possible Cause & Prevention
<p><b>Surface is not level</b> <b>Oven is tipping</b></p>	<p><b>Range not leveled</b></p>  <ul style="list-style-type: none"> <li>• Check with installer first.</li> <li>• Use carpenter's level ❶ to check level.</li> </ul> <p><b>Anti-tip device not installed correctly</b></p>  <ul style="list-style-type: none"> <li>❶ Approximately 0.65" (16.5 mm)</li> <li>❷ Level both sides of range</li> <li>❸ Screw must enter wood or concrete</li> <li>❹ Anti-tip bracket</li> <li>❺ Wall plate</li> </ul> <ul style="list-style-type: none"> <li>• Use carpenter's level to check level.</li> <li>• Check with installer first.</li> </ul>

**All costs and expenses associated with the above excluded circumstances, listed under the heading, This Limited Warranty Does Not Cover, shall be borne by the consumer.**

TO OBTAIN WARRANTY SERVICE AND ADDITIONAL INFORMATION, PLEASE CALL OR VISIT OUR WEBSITE:

Call 1-888-542-2623 (7 A.M. to 12 A.M., 365 days a year) and select the appropriate option from the menu, or visit our website at <http://www.lg.com>

**PROCEDURE FOR RESOLVING DISPUTES:**

EXCEPT WHERE PROHIBITED AT LAW, ALL DISPUTES BETWEEN YOU AND LG ARISING OUT OF OR RELATING IN ANY WAY TO THIS LIMITED WARRANTY OR THE PRODUCT SHALL BE RESOLVED EXCLUSIVELY THROUGH BINDING ARBITRATION, AND NOT IN A COURT OF GENERAL JURISDICTION. EXCEPT WHERE PROHIBITED AT LAW, YOU AND LG BOTH IRREVOCABLY AGREE TO WAIVE THE RIGHT TO A JURY TRIAL AND TO BRING OR PARTICIPATE IN A CLASS ACTION.

**Definitions.** For the purposes of this section, references to "LG" mean LG Electronics Canada, Inc., its parents, subsidiaries and affiliates, and each of their officers, directors, employees, agents, beneficiaries, predecessors in interest, successors, assigns and suppliers; references to "dispute" or "claim" shall include any dispute, claim or controversy of any kind whatsoever (whether based in contract, tort, statute, regulation, ordinance, fraud, misrepresentation or any other legal or equitable theory) arising out of or relating in any way to the sale, condition or performance of the product or this Limited Warranty.

**Notice of Dispute.** In the event you intend to commence an arbitration proceeding, you must first notify LG in writing at least 30 days in advance of initiating the arbitration by sending a letter to LGECI Legal Team at 20 Norelco Drive, North York, Ontario, Canada M9L 2X6 (the "Notice of Dispute"). You and LG agree to engage in good faith discussions in an attempt to amicably resolve your claim. The notice must provide your name, address, and telephone number; identify the product that is the subject of the claim; and describe the nature of the claim and the relief being sought. If you and LG are unable to resolve the



dispute within 30 days of LG's receipt of the Notice of Dispute, the dispute shall be resolved by binding arbitration in accordance with the procedure set out herein. You and LG both agree that, during the arbitration proceeding, the terms (including any amount) of any settlement offer made by either you or LG will not be disclosed to the arbitrator until the arbitrator determines the dispute.

**Agreement to Binding Arbitration and Class Action Waiver.** Upon failure to resolve the dispute during the 30 day period after LG's receipt of the Notice of Dispute, you and LG agree to resolve any claims between you and LG only by binding arbitration on an individual basis, unless you opt out as provided below, or you reside in a jurisdiction that prevents full application of this clause in the circumstances of the claims at issue (in which case if you are a consumer, this clause will only apply if you expressly agree to the arbitration). To the extent permitted by applicable law, any dispute between you and LG shall not be combined or consolidated with a dispute involving any other person's or entity's product or claim. More specifically, without limitation of the foregoing, except to the extent such a prohibition is not permitted at law, any dispute between you and LG shall not under any circumstances proceed as part of a class or representative action. Instead of arbitration, either party may bring an individual action in small claims court, but that small claims court action may not be brought on a class or representative basis except to the extent this prohibition is not permitted at law in your province or territory of jurisdiction as it relates to the claims at issue between you and LG.

**Arbitration Rules and Procedures.** To begin arbitration of a claim, either you or LG must make a written demand for arbitration. The arbitration will be private and confidential, and conducted on a simplified and expedited basis before a single arbitrator chosen by the parties under the provincial or territorial commercial arbitration law and rules of the province or territory of your residence. You must also send a copy of your written demand to LG at LG Electronics, Canada, Inc., Attn: Legal Department- Arbitration, 20 Norelco Drive, North York, Ontario M9L 2X6. This arbitration provision is governed by your applicable provincial or territorial commercial arbitration legislation. Judgment may be entered on the arbitrator's award in any court of competent jurisdiction. All issues are for the arbitrator to decide, except that, issues relating to the scope and enforceability of the arbitration provision and to the arbitrability of the dispute are for the court to decide. The arbitrator is bound by the terms of this provision.

**Governing Law.** The law of the province or territory of your purchase shall govern this Limited Warranty and any disputes between you and LG except to the extent that such law is preempted by or inconsistent with applicable federal or provincial/territorial law. Should arbitration not be permitted for any claim, action, dispute or controversy between you and LG, you and LG attorn to the exclusive jurisdiction of the courts of the province or territory of your purchase for the resolution of the claim, action, dispute or controversy between you and LG.

**Fees/Costs.** You do not need to pay any fee to begin an arbitration. Upon receipt of your written demand for arbitration, LG will promptly pay all arbitration filing fees unless you seek more than \$25,000 in damages, in which case the payment of these fees will be governed by the applicable arbitration rules. Except as otherwise provided for herein, LG will pay all filing, administration and arbitrator fees for any arbitration initiated in accordance with the applicable arbitration rules and this arbitration provision. If you prevail in the arbitration, LG will pay your attorneys' fees and expenses as long as they are reasonable, by considering factors including, but not limited to, the purchase amount and claim amount. Notwithstanding the foregoing, if applicable law allows for an award of reasonable attorneys' fees and expenses, an arbitrator can award them to the same extent that a court would. If the arbitrator finds either the substance of your claim or the relief sought in the demand is frivolous or brought for an improper purpose (as measured by the applicable laws), then the payment of all arbitration fees will be governed by the applicable arbitration rules. In such a situation, you agree to reimburse LG for all monies previously disbursed by it that are otherwise your obligation to pay under the applicable arbitration rules. Except as otherwise provided for, LG waives any rights it may have to seek attorneys' fees and expenses from you if LG prevails in the arbitration.

**Hearings and Location.** If your claim is for \$25,000 or less, you may choose to have the arbitration conducted solely (1) on the basis of documents submitted to the arbitrator, (2) through a telephonic hearing, or (3) by an in-person hearing as established by the applicable arbitration rules. If your claim exceeds \$25,000, the right to a hearing will be determined by the applicable arbitration rules. Any in-person arbitration hearings will be held at the nearest, most mutually-convenient arbitration location available within the province or territory in which you reside unless you and LG both agree to another location or agree to a telephonic arbitration.

**Severability and Waiver.** If any portion of this Limited Warranty (including these arbitration procedures) is unenforceable, the remaining provisions will continue in full force and effect to the maximum extent

## 70 LIMITED WARRANTY

---

permitted by applicable law. Should LG fail to enforce strict performance of any provision of this Limited Warranty (including these arbitration procedures), it does not mean that LG intends to waive or has waived any provision or part of this Limited Warranty.

**Opt Out.** You may opt out of this dispute resolution procedure. If you opt out, neither you nor LG can require the other to participate in an arbitration proceeding. To opt out, you must send notice to LG no later than 30 calendar days from the date of the first consumer purchaser's purchase of the product by either (i) sending an e-mail to [optout@lge.com](mailto:optout@lge.com), with the subject line: "Arbitration Opt Out;" or (ii) calling 1-800-980-2973. You must include in the opt out e-mail or provide by telephone: (a) your name and address; (b) the date on which the product was purchased; (c) the product model name or model number; and (d) the serial number (the serial number can be found (i) on the product; or (ii) online by accessing [https://www.lg.com/ca\\_en/support/repair-service/schedule-repair-continued](https://www.lg.com/ca_en/support/repair-service/schedule-repair-continued) and clicking on "Find My Model & Serial Number").

In the event that you "Opt Out", the law of the province or territory of your residence shall govern this Limited Warranty and any disputes between you and LG except to the extent that such law is preempted by or inconsistent with applicable federal or provincial/territorial law. Should arbitration not be permitted for any claim, action, dispute or controversy between you and LG, you and LG agree to attorn to the exclusive jurisdiction of the courts of the province or territory of your residence for the resolution of the claim, action, dispute or controversy between you and LG.

You may only opt out of the dispute resolution procedure in the manner described above (that is, by e-mail or telephone); no other form of notice will be effective to opt out of this dispute resolution procedure. Opting out of this dispute resolution procedure will not affect the coverage of the Limited Warranty in any way, and you will continue to enjoy the full benefits of the Limited Warranty. If you keep this product and do not opt out, then you accept all terms and conditions of the arbitration provision described above.

**Conflict of Terms.** In the event of a conflict or inconsistency between the terms of this Limited Warranty and the End User License Agreement ("EULA") in regards to dispute resolution, the terms of this Limited Warranty shall control and govern the rights and obligations of the parties and shall take precedence over the EULA.



Balayez le code QR pour consulter le manuel.



# MANUEL D'UTILISATION

# CUISINIÈRE INDUCTION

# ÉLECTRIQUE

---

Veillez lire attentivement le présent manuel de l'utilisateur avant de faire fonctionner l'appareil et conservez-le à portée de la main pour le consulter en tout temps.

**FRANÇAIS**

LSIL6334\*

[www.lg.com](http://www.lg.com)

Copyright © 2023 LG Electronics Inc. Tous droits réservés

# TABLE DES MATIÈRES

## 4 CONSIGNES DE SÉCURITÉ IMPORTANTES

### 4 LISEZ TOUTES LES CONSIGNES AVANT L'UTILISATION

- 4 Messages de sécurité
- 4 Dispositif antibasculement

### 5 AVERTISSEMENTS

- 5 Installation
- 5 Fonctionnement
- 6 Entretien
- 7 Risque d'incendie et matériaux inflammables

### 7 MISE EN GARDE

- 7 Fonctionnement
- 8 Entretien

## 9 APERÇU DU PRODUIT

### 9 Caractéristiques du produit

- 9 Extérieur et intérieur
- 9 Caractéristiques du produit
- 10 Accessoires

## 11 INSTALLATION

### 11 Avant l'installation

- 11 Aperçu de l'installation
- 11 Outils nécessaires
- 12 Pièces
- 12 Déballage et déplacement de la cuisinière

### 14 Choix de l'emplacement adéquat

- 14 Dimensions et dégagements
- 16 Électricité
- 16 Exigences pour les connexions électriques
- 17 Plancher
- 17 Température ambiante

### 17 Nivellement

- 17 Mise à niveau de la cuisinière

### 17 Remplissage arrière en option

- 17 Installation de l'élément de remplissage arrière

### 18 Dispositif antibasculement

- 18 Installation du dispositif antibasculement

### 19 Effectuez un test de fonctionnement

- 19 Vérification de la cuisinière avant son utilisation

## 20 FONCTIONNEMENT

### 20 Panneau de commande

- 20 Caractéristiques du panneau de commande
- 22 Fonctions du bouton

### 23 Modification des réglages du four

- 23 Horloge
- 23 Lampe du four
- 23 Mise en marche et arrêt de la minuterie
- 23 Wi-Fi
- 24 Réglages (mode d'affichage de l'heure, conversion automatique de la convection, Calibrage de la température du four, voyant d'alarme de préchauffage, volume du signal sonore, degrés Fahrenheit ou Celsius, volume d'alerte de la surface de cuisson activée)

- 26 Verrouillage des commandes
- 26 Temps de cuisson (cuisson minutée)
- 28 Valeurs de réglage minimales et maximales par défaut

### 28 Surface de cuisson

- 28 Précautions à prendre lors de l'utilisation de la surface de cuisson
- 30 Zones de cuisson
- 30 Avantages de la cuisson à induction
- 31 Accessoires de cuisson à induction
- 31 Placement des accessoires de cuisson
- 32 Détection des casseroles
- 32 Taille minimale et maximale des casseroles
- 33 Mise en conserve
- 34 Utilisation des éléments de cuisson
- 34 Paramètres recommandés pour la surface de cuisson
- 34 Gestion de l'alimentation

### 35 Four

- 35 Avant d'utiliser le four
- 35 Événement du four
- 35 Utilisation des grilles du four
- 36 Cuisson
- 36 Mode de convection
- 37 Guide sur les recommandations pour la cuisson

- 38 Gril
- 39 Guide sur la cuisson au gril recommandée
- 41 Fonction Air Fry
- 43 Guide sur la friture à l'air
- 44 Remote Start (Démarrage à distance)
- 45 Utilisation du mode Sabbat

## 46 FONCTIONS INTELLIGENTES

---

### 46 Application LG ThinQ

- 46 Caractéristiques de l'application LG ThinQ
- 46 Installation de l'application LG ThinQ et connexion d'un appareil LG
- 47 Installation de l'application LG ThinQ
- 47 Connexion à un réseau wi-fi
- 47 Fonctionnalité LG UP
- 48 Caractéristiques du module RF
- 48 Avis d'Industrie Canada
- 48 Renseignements sur l'avis de logiciel libre

### 48 Fonctionnalité Smart Diagnosis<sup>MC</sup>

- 48 Utilisation de l'application LG ThinQ pour diagnostiquer les problèmes
- 49 Utilisation de la fonctionnalité de diagnostic sonore pour diagnostiquer les problèmes

## 50 ENTRETIEN

---

### 50 Nettoyage

- 50 Intérieur
- 50 Extérieur
- 52 Surface de cuisson
- 55 Fonction EasyClean
- 57 Autonettoyage
- 60 Retrait et assemblage des portes amovibles du four
- 61 Retrait et assemblage des tiroirs
- 61 Retrait et assemblage de la garniture d'évent

### 62 Entretien périodique

- 62 Remplacement de la lampe du four

## 63 DÉPANNAGE

---

### 63 FAQ

- 63 Foire aux questions

### 66 Avant d'appeler le réparateur

- 66 Cuisson
- 68 Pièces et caractéristiques
- 71 Bruits
- 71 Wi-Fi

## 72 GARANTIE LIMITÉE

---

### 72 CANADA

- 72 CONDITIONS
- 73 LA PRÉSENTE GARANTIE LIMITÉE NE COUVRE PAS CE QUI SUIT :
- 75 PROCÉDURE DE RÈGLEMENT DE DIFFÉREND :

## 4 CONSIGNES DE SÉCURITÉ IMPORTANTES

# CONSIGNES DE SÉCURITÉ IMPORTANTES

## LISEZ TOUTES LES CONSIGNES AVANT L'UTILISATION

Téléchargez ce manuel du propriétaire à l'adresse <http://www.lg.com>.

### Messages de sécurité

**Il est très important d'assurer votre sécurité et celle des autres.**

Nous fournissons de nombreux conseils de sécurité importants dans ce manuel et sur votre appareil. Lisez toujours l'ensemble des messages de sécurité et respectez-les.



Ceci est le symbole d'alerte de sécurité.

Ce symbole vous alerte de dangers potentiels qui peuvent causer la mort ou des blessures. Tous les messages de sécurité seront précédés du symbole d'alerte de sécurité et du terme AVERTISSEMENT ou MISE EN GARDE.

Ces mots signifient :



#### AVERTISSEMENT

Vous pouvez être tué ou grièvement blessé si vous ne suivez pas les consignes.



#### MISE EN GARDE

Vous pourriez vous blesser ou endommager le produit si vous ne suivez pas les consignes.

Tous les messages de sécurité vous indiqueront quel est le danger potentiel, comment réduire les risques de blessures et ce qui peut se produire en cas de non-respect des consignes.

### Dispositif antibasculement

Pour réduire le risque de basculement, l'appareil doit être fixé par un dispositif antibasculement installé adéquatement. Pour vérifier si le dispositif est installé adéquatement, assurez-vous que le dispositif antibasculement est enclenché, ou agrippez le bord supérieur arrière du dossier de la cuisinière et inclinez-la prudemment vers l'avant. Consultez la section « Installation » pour plus de directives.

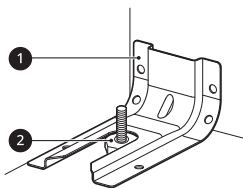
## AVERTISSEMENT

- Une personne, enfant ou adulte, peut faire basculer la cuisinière et subir des blessures mortelles.



- Installer le dispositif antibasculement sur la structure ou sur la cuisinière (ou sur les deux). Vérifier si le dispositif antibasculement est installé et engagé convenablement en suivant le guide du gabarit de l'équerre antibasculement.
- Engager la cuisinière dans le dispositif antibasculement en suivant le guide du gabarit de l'équerre antibasculement. S'assurer que le dispositif antibasculement est engagé de nouveau après un déplacement de la cuisinière en suivant le guide du gabarit de l'équerre antibasculement.
- Engager de nouveau le dispositif antibasculement si la cuisinière est déplacée. Ne pas utiliser la cuisinière lorsque le dispositif antibasculement n'est pas installé et engagé.
- Voir les directives d'installation pour obtenir de plus amples renseignements.».
- Toute omission de le faire expose les enfants et les adultes à un risque de décès ou de brûlures graves.
- Ne placez pas de gros objets lourds, comme des dindes entières, sur la porte ouverte du four. La cuisinière pourrait basculer vers l'avant et causer des blessures.

- Ne montez pas sur la porte du four et ne vous y asseyez pas. La cuisinière pourrait basculer et entraîner des blessures liées au déversement de liquides chauds, à la chute d'aliments chauds ou au basculement de la cuisinière elle-même.
- N'enlevez jamais les pieds du four. La cuisinière ne sera plus fixée au support antibasculement si vous enlevez les pieds.



- ❶ Support antibasculement
- ❷ Pied de nivellement

## AVERTISSEMENTS

### ⚠ AVERTISSEMENT

- Pour réduire les risques d'explosion, d'incendie, de mort, de décharge électrique, de blessures ou de brûlure lors de l'utilisation de ce produit, prenez les précautions élémentaires, y compris les suivantes :

### Installation

- Ne couvrez pas les parois du four, les grilles, le fond ou toute autre partie du four avec du papier d'aluminium ou tout autre matériau. Cela modifiera la distribution de chaleur, produira de mauvais résultats de cuisson et causera des dommages permanents à l'intérieur du four. (Le papier d'aluminium fondra dans le four.)
- Pour éliminer les risques de brûlure ou d'incendie lorsque vous vous penchez au-dessus des surfaces chaudes de l'unité, évitez de placer une armoire au-dessus de l'unité. Si une armoire doit y être installé, réduisez les risques en installant une hotte horizontale qui dépassera d'au moins 5 po le bas de l'armoire.
- N'utilisez pas de papier d'aluminium ou tout autre matériau pour couvrir le fond du four. Une mauvaise installation de ces revêtements peut provoquer une décharge électrique ou un incendie.
- Assurez-vous que votre cuisinière est correctement installée et mise à la terre par un installateur qualifié, conformément aux instructions d'installation. Tous les travaux de réparation ou d'entretien doivent être réalisés exclusivement par des installateurs de cuisinières ou des techniciens qualifiés.

### Fonctionnement

- Ne laissez pas les enfants seuls ou sans supervision près de l'appareil lorsqu'il est en marche ou encore chaud. Les enfants ne doivent jamais s'asseoir ou se tenir debout sur une partie quelconque de l'appareil, car ils pourraient se blesser ou se brûler.
- Les enfants ne doivent pas jouer avec les commandes ou d'autres parties de l'appareil.
- NE TOUCHEZ PAS LES ÉLÉMENTS CHAUFFANTS NI LES SURFACES INTÉRIEURES DU FOUR. Même lorsqu'ils ne sont pas rouges, les éléments chauffants peuvent être chauds. Les surfaces intérieures d'un four peuvent devenir suffisamment chaudes pour causer des brûlures. Pendant et après l'utilisation, ne touchez pas les éléments chauffants ou les surfaces intérieures du four et ne laissez pas de vêtements ou autres matériaux inflammables entrer en contact avec ceux-ci avant qu'ils n'aient eu le temps de refroidir. D'autres surfaces, comme les ouvertures de ventilation du four et les surfaces à proximité, les portes du four et les vitres du four, peuvent également devenir chaudes et causer des brûlures.
- Les éléments de surface peuvent être chauds même s'ils sont de couleur foncée. Les zones à proximité des éléments de surface pourraient devenir suffisamment chaudes pour causer des brûlures. Pendant et après l'utilisation, NE PAS TOUCHER LES ÉLÉMENTS CHAUFFANTS OU LES ZONES PRÈS DES SURFACES et ne pas laisser les vêtements ou d'autres matières inflammables entrer en contact avec ceux-ci avant

## 6 CONSIGNES DE SÉCURITÉ IMPORTANTES

---

qu'ils n'aient eu le temps de refroidir. Ceci inclut la surface de cuisson et la zone au-dessus de la porte du four.

- Faites attention lorsque vous ouvrez la porte du four. L'air chaud et la vapeur qui s'échappent peuvent causer des brûlures aux mains, au visage et aux yeux. Avant de mettre des plats au four ou de les enlever, laissez l'air chaud ou la vapeur s'en échapper.
- N'utilisez pas de pellicule plastique pour couvrir les plats. Utilisez uniquement du papier d'aluminium ou des couvercles allant au four.
- N'essayez jamais de faire sécher un animal de compagnie dans le four.
- N'utilisez jamais votre appareil pour réchauffer la cuisine.
- Utilisez toujours des poignées ou des gants de cuisine pour enlever les plats du four ou de l'élément de surface. Les accessoires de cuisson seront chauds. N'utilisez que des poignées sèches. La vapeur dégagée par des poignées humides ou mouillées sur des surfaces chaudes peut causer des brûlures. Ne laissez pas les poignées toucher les éléments chauffants lorsque ceux-ci sont chauds. N'utilisez pas de serviette ou d'autre linge épais pour enlever les plats.
- Ne faites pas chauffer de récipients alimentaires scellés. La pression dans les récipients peut les faire éclater et vous blesser.
- Assurez-vous qu'il n'y a pas de matériaux d'emballage sur l'appareil avant de le mettre en marche. Gardez les pellicules plastiques, les vêtements, le papier et les autres matériaux inflammables loin des parties de l'appareil qui peuvent devenir chaudes.
- Assurez-vous que le papier d'aluminium ou la sonde thermique n'entrent pas en contact avec les éléments chauffants.
- Ne touchez pas la surface chaude située entre le bas de la porte du four et le haut du tiroir à l'avant du four lorsque celui-ci est en marche. La surface devient chaude et peut causer des brûlures et autres blessures.
- Assurez-vous de ne pas toucher aux grilles du four lorsqu'elles sont chaudes.
- Si une grille doit être enlevée alors que le four est chaud, ne laissez pas la poignée entrer en contact avec l'élément chauffant du four.
- Placez la grille du four en position de verrouillage lorsque vous mettez des plats au four et que vous les enlevez. Vous éviterez ainsi les brûlures causées par le contact avec les surfaces chaudes de la porte et des parois du four.
- N'utilisez pas le four si une tache incandescente apparaît sur l'élément chauffant pendant l'utilisation ou si l'élément chauffant présente d'autres signes de dommages. Une tache incandescente indique que l'élément chauffant peut être défectueux et présenter un risque de brûlure, d'incendie ou de décharge électrique. Éteignez le four immédiatement et demandez à un technicien qualifié de remplacer l'élément chauffant.
- Lors du fonctionnement du four, la surface supérieure de la cavité du tiroir peut devenir chaude et causer des brûlures. Ne laissez jamais les enfants sans supervision près du four ou de la surface de cuisson.
- Ne mettez pas vos mains dans le tiroir pendant le fonctionnement du four.

### Entretien

- Ne rangez pas d'objets intéressants pour les enfants dans les armoires au-dessus de la cuisinière ou sur le dossier de la cuisinière. En grim pant sur la cuisinière pour attraper un objet, les enfants pourraient subir des blessures graves.
- Ne permettez pas aux enfants de grimper à l'intérieur du four.
- Laissez refroidir les accessoires de cuisson chauds dans un endroit sécuritaire, hors de la portée des jeunes enfants.
- Si la vitre de la porte, la vitre de la surface de cuisson, la surface ou l'unité de chauffage du four sont endommagées, cessez d'utiliser la cuisinière et appelez le service.



- Ne laissez personne grimper ou se tenir debout sur la porte, dans le tiroir de rangement ou sur la surface de cuisson, ou encore s'y accrocher. Cela pourrait endommager la cuisinière ou même la faire basculer, ce qui pourrait causer des blessures graves.
- Débranchez toujours l'appareil avant de l'entretenir.
- Avant de changer la lampe du four, débranchez l'alimentation électrique du four au panneau principal (fusibles ou disjoncteurs). Le non-respect de cette consigne peut causer des blessures corporelles graves, la mort ou une décharge électrique.
- Ne versez jamais d'eau froide dans un four chaud pour le nettoyer. Cela pourrait entraîner un dysfonctionnement du four.

## Risque d'incendie et matériaux inflammables

- N'entrez pas ou n'utilisez pas de matériaux inflammables dans le four ou à proximité, ou sur la surface de cuisson. Voici des exemples de matériaux inflammables : le papier, le plastique, les cache-pot, les chiffons, les revêtements muraux, les rideaux et l'essence, ou tout autre produit volatil et liquide inflammable comme la graisse ou l'huile de cuisson. Ces matériaux peuvent s'enflammer lorsque le four et la surface de cuisson sont utilisés.
- Soyez extrêmement prudent lorsque vous déplacez ou jetez de la graisse chaude.
- Portez des vêtements appropriés. Ne portez pas de vêtements amples; ceux-ci peuvent s'enflammer s'ils entrent en contact avec des surfaces chaudes et causeront de graves brûlures.
- N'utilisez pas le four pour faire sécher des vêtements. N'utilisez le four que pour l'usage pour lequel il a été conçu.
- S'il y a une armoire directement au-dessus de la surface de cuisson, placez-y seulement des articles qui ne sont pas fréquemment utilisés et qui peuvent être entreposés en toute sécurité dans un endroit soumis à la chaleur. La chaleur peut être dangereuse pour les articles volatils tels que les liquides inflammables, les nettoyeurs ou les aérosols.
- N'utilisez pas d'eau sur de la graisse en feu. En cas d'incendie dans le four, laissez la porte fermée et éteignez le four. Si le feu persiste, jetez-y du bicarbonate de soude ou utilisez un extincteur. Ne mettez pas d'eau ou de farine sur le feu. La farine peut exploser et l'eau peut propager un feu de graisse et causer des blessures.

## MISE EN GARDE

### MISE EN GARDE

- Pour réduire les risques de blessures mineures, de pannes ou de dommages causés au produit ou à la propriété lors de l'utilisation de ce produit, prenez les précautions élémentaires, y compris les suivantes :

## Fonctionnement

- Faites toujours chauffer la graisse lentement et ne la quittez pas des yeux.
- Si vous faites frire des huiles et des graisses ensemble, remuez-les avant de les faire chauffer.
- Si possible, utilisez un grand thermomètre à graisse pour empêcher les corps gras de surchauffer au-delà du point de fumée.
- Utilisez le moins possible de graisse pour une friture ou un sauté efficaces. Si vous mettez trop de graisse dans la casserole, des débordements surviendront lorsque vous ajouterez de la nourriture.
- Les pièces accessibles peuvent être chaudes lorsque le lèche-frite est utilisé.
- Ne déposez pas de nourriture ou d'accessoires de cuisson dans le fond du four. Sinon, la finition du fond du four sera endommagée de façon permanente.
- Lorsque vous utilisez des sacs de cuisson dans le four, suivez les instructions du fabricant.

## 8 CONSIGNES DE SÉCURITÉ IMPORTANTES

---

### Entretien

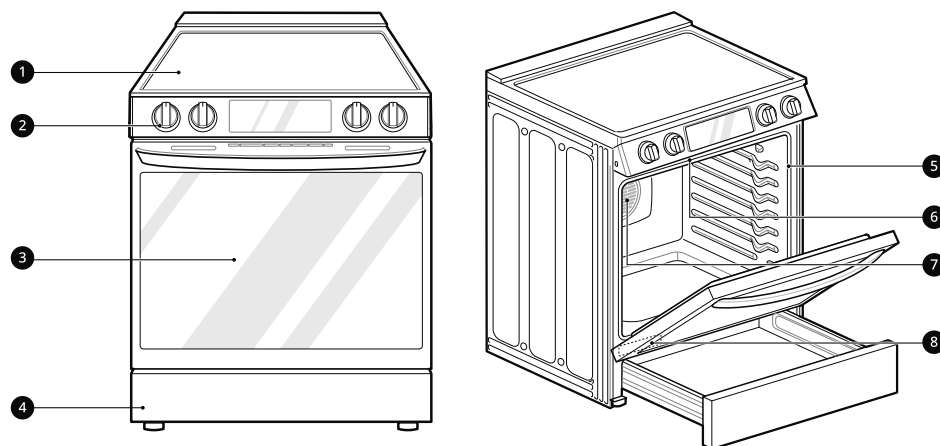
- N'essayez pas de réparer ou de remplacer une pièce de votre appareil, à moins que le guide ne le recommande explicitement. Tous les autres entretiens doivent être confiés à un technicien qualifié.
- N'utilisez pas de produits nettoyants fortement abrasifs ou de grattoirs métalliques tranchants pour nettoyer la vitre de la porte du four, car ils peuvent rayer la surface. Les rayures peuvent faire éclater le verre.
- Assurez-vous que les ampoules du four sont froides avant de les nettoyer.
- Ne nettoyez pas le joint de porte. Le joint de porte est essentiel pour une bonne étanchéité. Ne frottez pas, n'endommagez pas ou ne déplacez pas le joint.
- Pendant le cycle d'autonettoyage, nettoyez uniquement les parties citées dans le présent manuel. Avant l'autonettoyage du four, retirez du four la lèchefrite, toutes les grilles du four, la sonde thermique et tout autre accessoire, ustensile ou aliment du four.

**GARDEZ CES CONSIGNES**

# APERÇU DU PRODUIT

## Caractéristiques du produit

### Extérieur et intérieur



- ❶ Surface de cuisson
- ❷ Contrôleur de la surface de cuisson
- ❸ Porte du four
- ❹ Tiroir de rangement
- ❺ Joint
- ❻ Élément chauffant du grill
- ❼ Élément chauffant à convection
- ❽ Plaque du modèle et du numéro de série

### Caractéristiques du produit

L'aspect et les caractéristiques énumérés dans le présent manuel peuvent varier en raison des constantes améliorations apportées au produit.

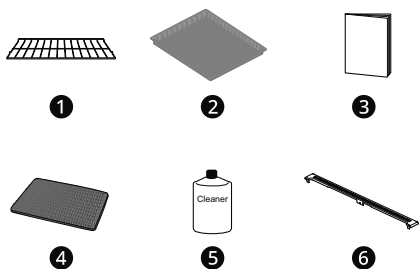
Modèles de cuisinière et de fours	LSIL6334*
Description	Cuisinière électrique encastrable avec four
Alimentation	11,9 kW 120/240 VCA ou 10,2 kW 120/208 VCA
Dimensions extérieures	29 7/8 po (L) x 36 1/2 po (H) x 26 7/8 po (P) (profondeur avec la porte fermée) 75,8 cm (L) x 92,7 cm (H) x 68,3 cm (P) (profondeur avec la porte fermée)
Hauteur jusqu'à la surface de cuisson	36 po (91,3 cm)
Poids net	186,3 lb (84,5 kg)
Capacité totale	6,3 pieds cubes

## 10 APERÇU DU PRODUIT

---

### Accessoires

#### Accessoires inclus



- 1 Grille standard (2)
- 2 Plateau de la friteuse à air chaud (1)
- 3 Manuel d'utilisation (1 ch.)
- 4 Tampon à récurer anti-rayures (1 ch.)
- 5 Nettoyant pour surface de cuisson (1 ch.)
- 6 Élément de remplissage arrière (1)

#### Accessoires en option (vendus séparément)



- 1 Grille
- 2 Lèche-frite

---

#### REMARQUE

- S'il vous manque des accessoires, joignez le service à la clientèle de LG au 1 800 243-0000 (États-Unis) ou au 1 888 542-2623 (Canada).
  - Pour votre sécurité et pour prolonger la durée de vie du produit, utilisez exclusivement des accessoires autorisés.
  - Le fabricant décline toute responsabilité en cas de dysfonctionnement du produit ou d'accidents causés par l'utilisation de pièces non autorisées.
  - Les illustrations contenues dans ce manuel peuvent être différentes des composants et accessoires réels, et ceux-ci peuvent être modifiés sans préavis par le fabricant dans le but d'améliorer le produit.
-

# INSTALLATION

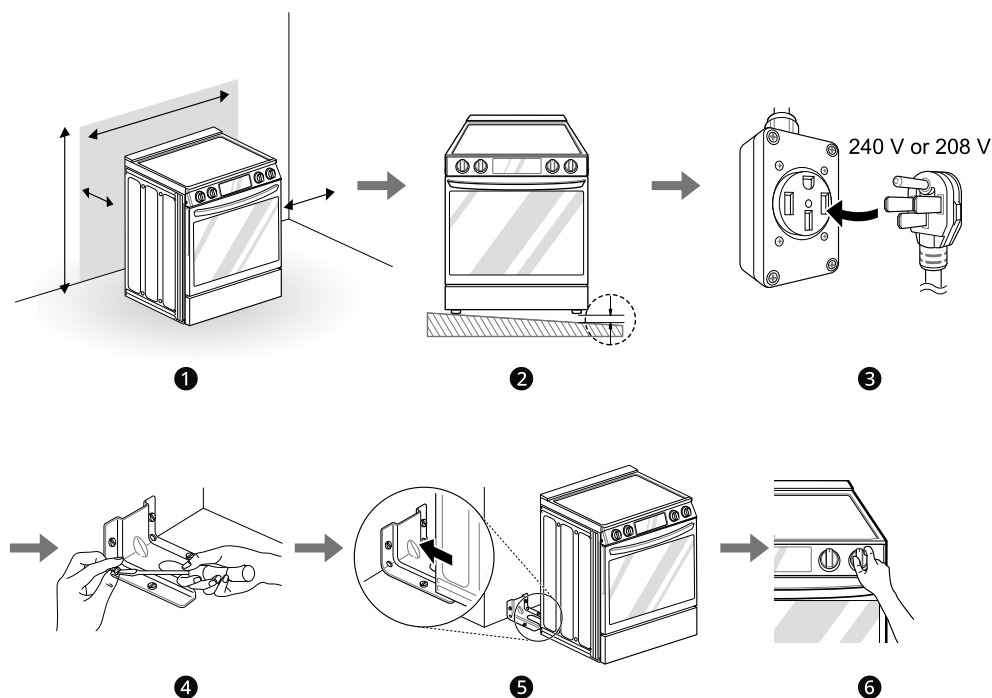
## Avant l'installation

### Aperçu de l'installation

Veillez d'abord lire ces instructions d'installation après l'achat de ce produit ou son déplacement dans un autre lieu.

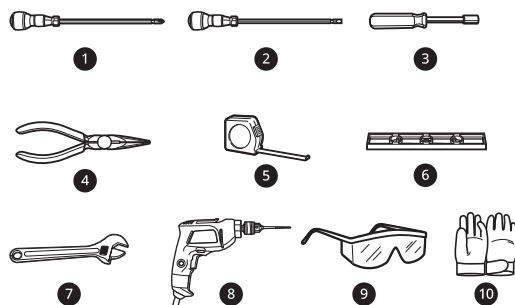
Les illustrations contenues dans ce manuel peuvent être différentes des composants et accessoires réels, et ceux-ci peuvent être modifiés sans préavis par le fabricant dans le but d'améliorer le produit.

FRANÇAIS



1 Vérifiez et choisissez l'emplacement approprié	4 Installez le dispositif antibasculement
2 Mettez à niveau la cuisinière	5 Engagez le dispositif antibasculement
3 Branchez le cordon d'alimentation	6 Effectuez un test de fonctionnement

### Outils nécessaires



1 Tournevis cruciforme

2 Tournevis plat

3 Tourne-écrou de 1/4 po

4 Pinces

5 Ruban à mesurer

6 Niveau

7 Clé à molette

8 Perceuse

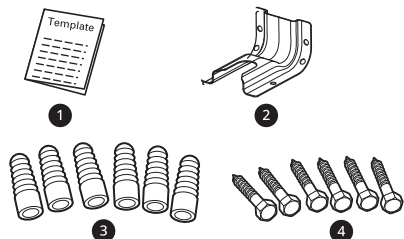
## 12 INSTALLATION

9 Lunettes de sécurité

10 Gants

### Pièces

#### Pièces fournies



1 Modèle (1)

2 Ensemble de support antibasculement (1 ch.)

3 Manchons d'ancrage (6 ch.)

4 Tirefonds (6 ch.)

#### REMARQUE

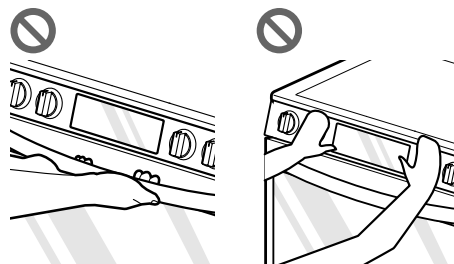
- Respectez tous les règlements en vigueur.
- Demandez à l'installateur de vous montrer où se trouve le disjoncteur ou le fusible. Pour le repérer facilement, marquez-le.
- Comme avec tout appareil produisant de la chaleur, vous devez respecter certaines consignes de sécurité.
- Assurez-vous que la cuisinière est installée et mise à la terre correctement par un installateur ou un technicien qualifié.

### Déballage et déplacement de la cuisinière

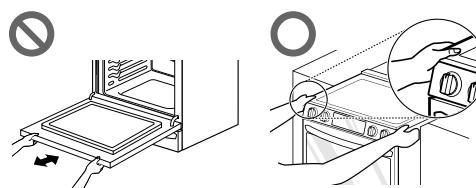
#### AVERTISSEMENT

- Au moins deux personnes sont nécessaires pour déplacer et installer la cuisinière. (Risque de poids excessif.) Le non-respect de cette consigne pourrait entraîner des blessures, notamment au dos.
- Ne pas utiliser la poignée de porte ou les pommeaux pour pousser ou tirer la cuisinière pendant l'installation ou lors de son déplacement pour le nettoyage ou l'entretien.

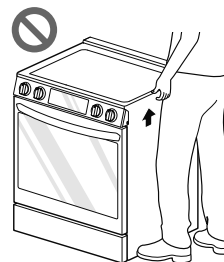
Cela risque d'endommager gravement la cuisinière.



- Ne poussez pas ou ne tirez pas la cuisinière par la porte du four lorsque celle-ci est ouverte ou uniquement par la surface de cuisson. Cela peut gravement endommager la cuisinière.



- Ne soulevez pas la cuisinière par la surface de cuisson ou poignée de porte. Cela pourrait l'endommager et causer un dysfonctionnement de la cuisinière.

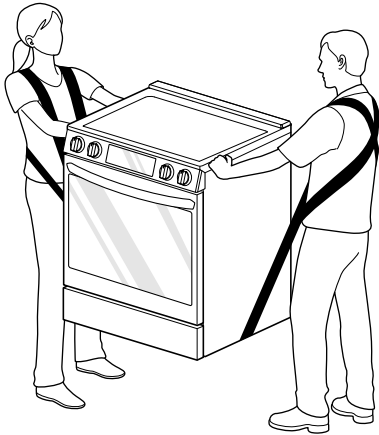


- Afin de réduire les risques de brûlures, ne déplacez jamais cet appareil lorsqu'il est chaud.

#### REMARQUE

- L'image peut différer du modèle réel.
- Votre cuisinière est lourde et peut être installée sur des revêtements de sol souples, tels que du vinyle rembourré ou du tapis. Soyez prudent lorsque vous déplacez la cuisinière sur ce type de sol. Pour ne pas endommager le sol, utilisez une courroie pour déplacer la cuisinière. Pour éviter d'endommager le revêtement de sol, vous

pouvez aussi faire glisser la cuisinière sur du carton ou du contreplaqué.



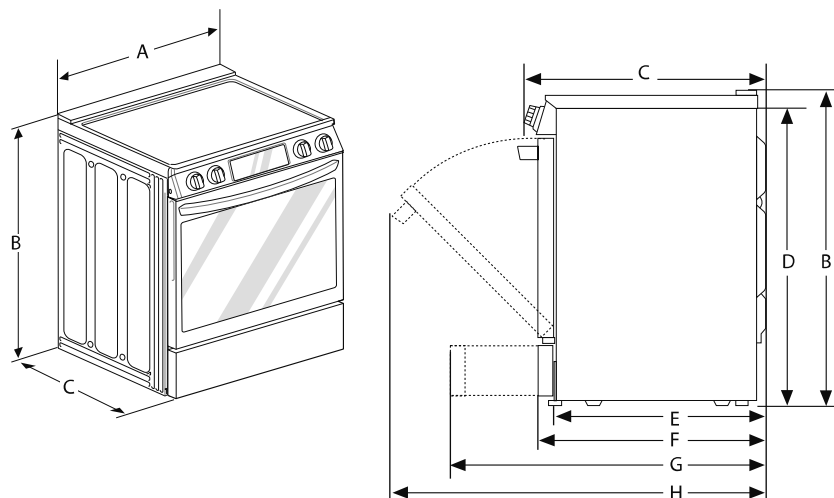
- Retirez le matériel d'emballage, le ruban adhésif et les étiquettes temporaires de votre cuisinière avant l'utilisation. N'enlevez pas les étiquettes d'avertissement, l'étiquette du numéro de modèle et de série ou la fiche technique qui se trouve à l'arrière de la cuisinière.
- Pour supprimer des résidus de ruban adhésif ou de colle, frottez vigoureusement la surface avec le pouce. Les résidus de ruban adhésif ou de colle peuvent également être enlevés en frottant une petite quantité de savon à vaisselle liquide sur l'adhésif avec les doigts. Essuyez avec de l'eau chaude, puis séchez.
- N'utilisez pas d'instruments tranchants, d'alcool à friction, de liquides inflammables ou de nettoyants abrasifs pour enlever du ruban adhésif ou de la colle. Ces produits peuvent endommager la surface de votre cuisinière.

## 14 INSTALLATION

# Choix de l'emplacement adéquat

## Dimensions et dégagements

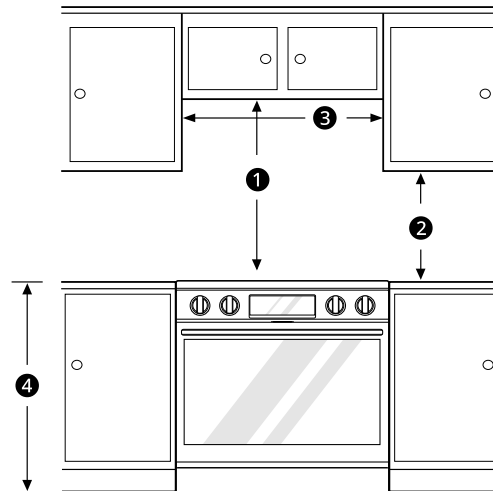
### Dimensions



-	Dimensions	LSIL6334*
A	Largeur	29 7/8 po (758,8 mm)
B	Hauteur	36 1/2 po (927,9 mm)
C	Profondeur (incluant la poignée de porte)	29 5/16 po (743,9 mm)
D	Hauteur (excluant l'évent de ventilation)	36 po (913,0 mm)
E	Profondeur (comprend uniquement le corps du produit encastré; exclut la porte, le tiroir et la poignée)	24 3/4 po (629,4 mm)
F	Profondeur (excluant la poignée de porte)	26 7/8 po (683 mm)
G	Profondeur lorsque le tiroir est complètement ouvert	36 1/16 po (916,2 mm)
H	Profondeur lorsque la porte est complètement ouverte	48 5/8 po (1235,9 mm)



## Dimensions minimales



FRANÇAIS

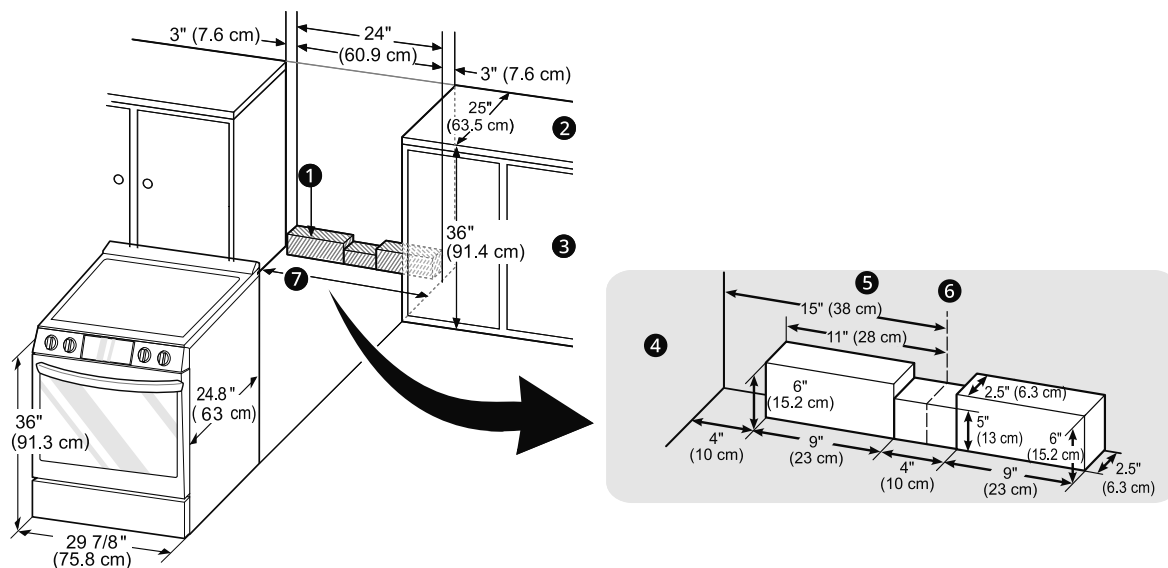
① Distance minimale entre le dessus de la cuisinière et la surface combustible en hauteur	30 po (76,2 cm)
② Distance minimale entre le comptoir et les armoires latérales suspendues	15 po (38,1 cm)
③ Ouverture minimale des armoires suspendues	30 po (76,2 cm)
④ Hauteur du comptoir	36 po (91,3 cm)

### REMARQUE

- ① Le dégagement minimal est de 30 po (76,2 cm) entre le haut de la surface de cuisson et le bas d'une armoire en bois ou en métal non protégée, ou encore de 24 po (60,9 cm) lorsque le bas d'une armoire en bois ou en métal est protégé par un panneau usiné ignifuge d'au moins 1/4 po (6,4 cm) recouvert d'au moins 28 feuilles d'acier MSG, 0,015 po (0,381 mm) d'acier inoxydable, 0,024 po (0,610 mm) d'aluminium ou 0,020 po (0,508 mm) de cuivre.
- ② Le dégagement minimal est de 15 po (38,1 cm) entre le comptoir et le fond de l'armoire adjacente.
- Important – Gardez pour l'utilisation par l'inspecteur en électricité local.
- Pour une installation au Canada, une cuisinière autonome ne doit pas être installée à moins de 15/32 po (12 mm) de toute surface adjacente.

## 16 INSTALLATION

### Dégagement



① Positionnement acceptable de la prise électrique	② Profondeur normale du comptoir
③ Hauteur du comptoir	④ Armoire
⑤ Mur	⑥ Centre
⑦ Ouverture de l'armoire = 30 po (76,2 cm) pour les États-Unis = 30 po (76,2 cm) ou 31 po (78,7 cm) pour le Canada	

### Électricité

La cuisinière doit toujours être branchée sur une prise électrique individuelle et correctement mise à la terre.

- Cela permet d'éviter de surcharger les circuits de la maison, ce qui pourrait provoquer un incendie en raison de la surchauffe des fils.
- Prévoyez un circuit séparé pour cet appareil.

### Exigences pour les connexions électriques

La cuisinière doit être installée conformément aux codes municipaux et au code canadien de l'électricité (édition la plus récente). Voyez la plaque signalétique pour connaître le A connecté total. Ce modèle est expédié directement de l'usine avec un câble électrique. Aucune connexion à la cuisinière n'est requise.

#### REMARQUE

- N'utilisez qu'un câble de cuisinière 40 A d'une tension minimale de 120/240 V. Si vous utilisez un câble de cuisinière de 50 A, il devrait être identifié pour les ouvertures de diamètre de 1 3/8 po.

## Plancher

### ⚠ MISE EN GARDE

- Si la cuisinière est installée sur un tapis, utilisez un tampon isolé ou un morceau de contreplaqué de 1/4 po (0,64 cm) sous la cuisinière.

## Température ambiante

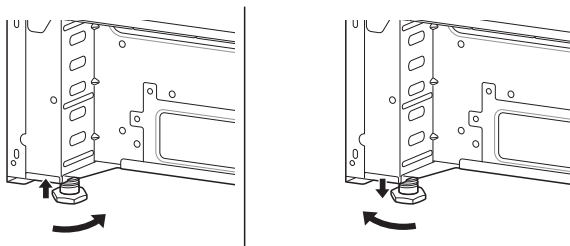
### ⚠ MISE EN GARDE

- Assurez-vous que les revêtements muraux, les comptoirs et les armoires situés autour de la cuisinière peuvent résister à la chaleur (jusqu'à 194 °F) produite par la cuisinière. Les revêtements pourraient se décolorer, se délaminer ou fondre. Cette cuisinière a été conçue pour respecter la norme relative à la température de résistance maximale admissible des armoires en bois, soit 194 °F.
- Avant d'installer la cuisinière sur du linoléum ou sur un autre revêtement de sol synthétique, assurez-vous que le revêtement de sol peut supporter des températures d'au moins 200 °F (93 °C).

## Nivellement

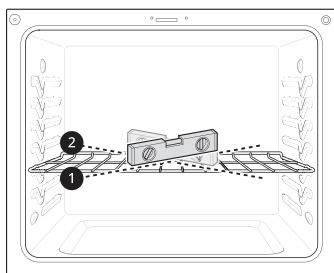
### Mise à niveau de la cuisinière

Mettez à niveau la cuisinière en ajustant la hauteur des pieds à l'aide d'une clé. Dévissez légèrement les pieds pour faciliter l'insertion du pied arrière dans le support antibasculement.



### Vérification des ajustements

- 1 Placez le niveau en diagonale sur la grille du four, puis vérifiez la mise à niveau dans chaque direction.
  - Faites la première vérification ①. Vérifiez ensuite ②.



- 2 Si le niveau n'indique pas que la cuisinière est de niveau, ajustez les pieds à l'aide d'une clé.

## Remplissage arrière en option

### Installation de l'élément de remplissage arrière

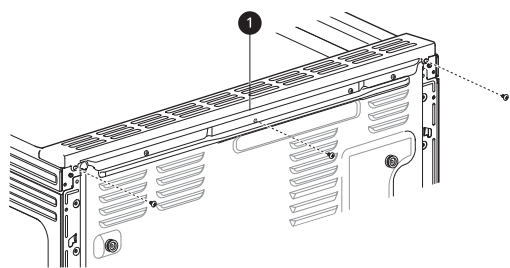
Si le comptoir ne couvre pas l'ouverture de la paroi arrière, vous devrez utiliser l'ensemble de remplissage arrière fourni avec la cuisinière encastrable.

### REMARQUE

- Si la profondeur du comptoir est supérieure à 25 3/8 po, il y aura un espace entre l'ensemble de remplissage et la paroi arrière.
- Si la profondeur du comptoir est inférieure à 24 3/4 po, le panneau de commande ne s'alignera pas avec le comptoir.

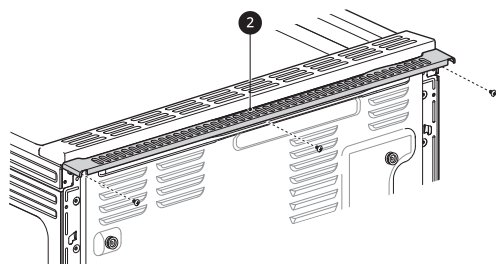
- 1 À l'aide d'un tournevis, enlevez les trois vis qui maintiennent en place la plaque arrière supérieure.

## 18 INSTALLATION



① Plaque arrière supérieure

- 2 En utilisant les trois vis enlevées à l'étape 1, fixez la plaque arrière supérieure et l'ensemble de remplissage comme indiqué.



② Élément de remplissage arrière

## Dispositif antibasculement

### Installation du dispositif antibasculement

#### Risque de basculement

#### ⚠ AVERTISSEMENT

- Une personne, enfant ou adulte, peut faire basculer la cuisinière et subir des blessures mortelles.



- Installer le dispositif antibasculement sur la structure ou sur la cuisinière (ou sur les deux). Vérifier si le dispositif antibasculement est installé et engagé convenablement en suivant le guide du gabarit de l'équerre antibasculement.
- Engager la cuisinière dans le dispositif antibasculement en en suivant le guide du gabarit de l'équerre antibasculement. S'assurer que le dispositif antibasculement est engagé de nouveau après un déplacement de la cuisinière

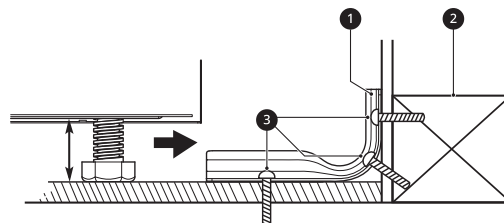
en suivant le guide du gabarit de l'équerre antibasculement.

- Engager de nouveau le dispositif antibasculement si la cuisinière est déplacée. Ne pas utiliser la cuisinière lorsque le dispositif antibasculement n'est pas installé et engagé.
- Voir les directives d'installation pour obtenir de plus amples renseignements.».
- Le non-respect de ces directives expose enfants et adultes à un risque de décès ou de brûlures graves.
- La cuisinière doit être fixée au moyen d'un dispositif antibasculement approuvé à cette fin.
- Si la cuisinière ou le dispositif antibasculement ne sont pas bien installés, la cuisinière pourrait basculer si une personne pose les pieds, s'appuie ou s'assoit sur la porte ouverte.
- L'utilisation de ce dispositif ne protège pas contre le basculement de la cuisinière si l'installation n'est pas adéquate.

- Après avoir installé le dispositif antibasculement, vérifiez qu'il est en place en tentant de basculer la cuisinière vers l'avant.
- Cette cuisinière a été conçue pour respecter toutes les normes de basculement reconnues par l'industrie dans des conditions normales.
- L'installation du dispositif antibasculement doit être conforme à tous les codes locaux relatifs à la fixation de l'appareil.

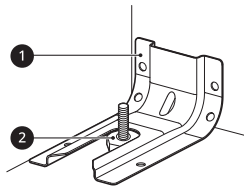
### Utilisation de la plaque d'installation du dispositif antibasculement

- Le dispositif antibasculement se trouve dans l'emballage, accompagné du gabarit d'installation. Les instructions contiennent les renseignements nécessaires pour effectuer l'installation. Lisez et suivez les consignes d'installation de la cuisinière.
- Les vis ③ doivent entrer dans le bois ou le béton.



- ① Support antibasculement
- ② Plaque murale

## Enclenchement du dispositif antibasculement



❶ Support antibasculement

❷ Pied de nivellement

1 Faites glisser la cuisinière contre le mur en vous assurant que le pied arrière glisse dans le dispositif antibasculement.

2 Vérifiez que l'installation est adéquate en agrippant le bord avant de la surface de cuisson et en tentant doucement de la faire basculer vers l'avant.

4 Le préchauffage du four devrait prendre un maximum de 15 minutes et le ventilateur de convection doit être en marche pendant le préchauffage.

5 Après avoir vérifié le fonctionnement du four, faites monter la température à 450 °F et faites fonctionner le four pendant au moins une heure afin d'aider à éliminer toute huile susceptible de causer de la fumée et des odeurs lors de la première utilisation du four.

### REMARQUE

- De la fumée peut émaner de la cuisinière lorsqu'elle est utilisée pour la première fois.

## Effectuez un test de fonctionnement

### Vérification de la cuisinière avant son utilisation

Vérifiez si la cuisinière est installée correctement et mettez en marche un cycle d'essai.

1 Avant d'utiliser la surface de cuisson pour la première fois, nettoyez-la avec un nettoyant pour surface de cuisson en céramique. Ceci permet de protéger la surface et de faciliter le nettoyage.

2 Tournez chaque bouton en position **HI** pour vérifier que les éléments de cuisson fonctionnent bien. Les éléments doivent rougir et dégager de la chaleur, et ils doivent s'allumer et s'éteindre périodiquement, même lorsque le bouton se trouve en position **HI**. Ce cycle empêche la fissuration de la vitrocéramique sous l'effet d'un choc thermique.

3 Vérifiez maintenant que le four fonctionne. Appuyez sur **Bake**. L'indication « 350 °F » s'affiche à l'écran. Appuyez sur **START**.

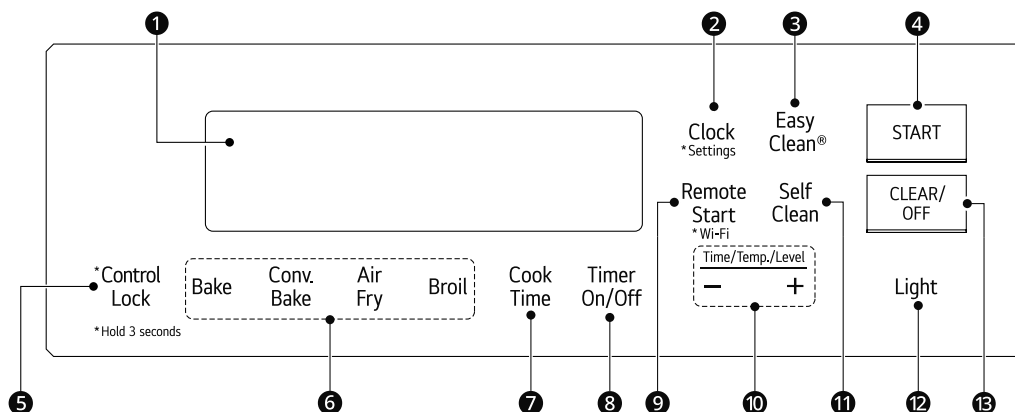
## 20 FONCTIONNEMENT

## FONCTIONNEMENT

## Panneau de commande

## Caractéristiques du panneau de commande

Modèle : LSIL6334\*

**1 Affichage**

Appuyez sur n'importe quelle touche du panneau de commande pour activer l'affichage.

**2 Clock / Settings**

- Appuyez sur la touche pour régler l'heure.
- Appuyez sur la touche et maintenez-la enfoncée pendant 3 secondes pour sélectionner et verrouiller les réglages du four.

**3 EasyClean**

Appuyez sur la touche pour régler la fonction **EasyClean**.

**4 START**

Appuyez sur la touche pour activer toutes les fonctions du four.

**5 Control Lock**

Appuyez sur la touche et maintenez-la enfoncée pendant trois secondes pour verrouiller le panneau de commande.

**6 Commandes du four**

Appuyez sur la touche pour sélectionner le mode de fonctionnement du four.

**7 Cook Time**

Appuyez sur la touche pour régler la durée de cuisson des aliments. Le four s'éteint lorsque le temps de cuisson réglé est terminé.

**8 Timer On/Off**

Appuyez sur la touche pour régler ou annuler la minuterie du four.

**9 Remote Start / Wi-Fi**

- Appuyez sur la touche pour régler la fonction **Remote Start**.
- Maintenez la touche enfoncée pendant trois secondes pour connecter l'appareil au réseau Wi-Fi.

**10 Boutons +/-**

- Appuyez sur le bouton **plus (+)** pour augmenter le temps de cuisson ou la température du four.
- Appuyez sur le bouton **moins (-)** pour diminuer le temps de cuisson ou la température du four.

**11 Self Clean**

Appuyez sur la touche pour régler la fonction **Self Clean**.

**12 Light**

Appuyez sur la touche pour allumer ou éteindre la lumière du four.

**13 CLEAR/OFF**

Appuyez sur la touche pour désactiver toutes les fonctions du four.

**REMARQUE**

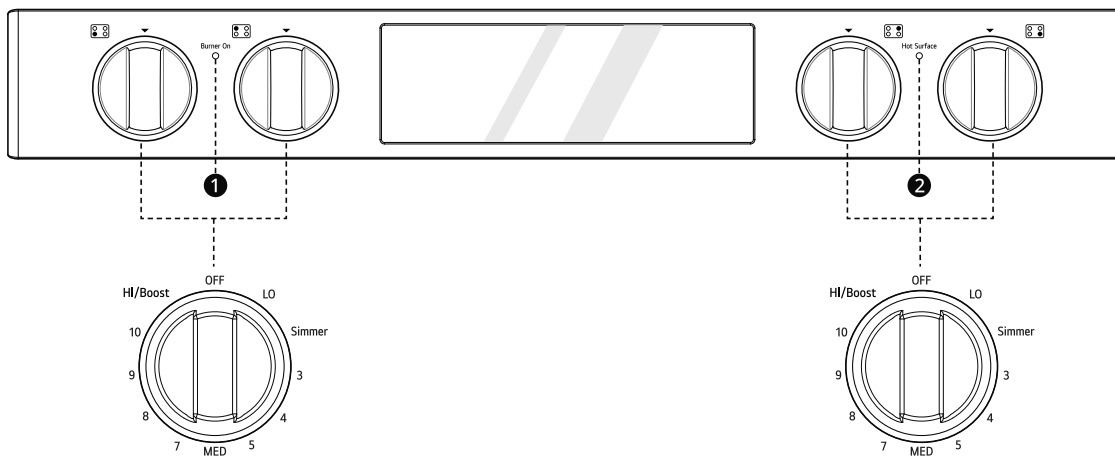
• **Horloge clignotante**

Si les deux points de l'horloge clignotent, appuyez sur **Clock** et réglez l'heure de nouveau, ou appuyez sur n'importe quel bouton pour arrêter le clignotement.

## 22 FONCTIONNEMENT

### Fonctions du bouton

Après le nettoyage des boutons du four, veuillez à replacer chaque bouton dans la bonne position. Ne pas le faire pourrait entraîner un mauvais fonctionnement des brûleurs.



- ❶ Indicateur **Burner On**
- ❷ Indicateur **Hot Surface**



## Modification des réglages du four

### Horloge

L'horloge doit être réglée à la bonne heure du jour pour que les fonctions de minuterie automatique du four fonctionnent adéquatement.

- 1 Appuyez sur **Clock**.
- 2 Appuyez sur **plus (+)** ou **moins (-)** pour sélectionner l'heure désirée.
- 3 Appuyez sur **START**.

#### REMARQUE

- L'heure ne peut pas être changée durant une cuisson minutée ou un cycle d'autonettoyage.
- Pour voir l'heure lorsque l'écran affiche d'autres informations, appuyez sur **Clock**.
- Si vous n'appuyez sur aucune autre touche dans les 25 secondes après avoir appuyé sur **Clock**, l'écran revient au réglage d'origine.
- Si l'heure affichée clignote, c'est qu'il y a probablement eu une panne de courant. Réglez l'heure de nouveau.
- Cette commande est réglée pour l'utilisation d'une horloge en mode 12 heures. Pour régler l'horloge en mode 24 heures, consultez la section « Réglages ».

### Lampe du four

L'éclairage intérieur du four s'allume automatiquement lorsque la porte est ouverte.

- Appuyez sur le bouton **Light** pour allumer manuellement la lampe du four.

#### REMARQUE

- La lampe du four ne peut pas être allumée si la fonction **Self Clean** est activée.
- La lumière du four s'éteint automatiquement après 90 secondes.

## Mise en marche et arrêt de la minuterie

La fonction de minuterie sert de minuterie supplémentaire dans la cuisine et émet un signal sonore lorsque le temps réglé est écoulé. Elle ne permet pas de commencer ou d'arrêter la cuisson.

On peut utiliser la fonction de minuterie avec toutes les autres fonctions des commandes du four.

- 1 Appuyez une fois sur la touche **Timer On/Off**. 0:00 s'affiche et **Timer** clignote à l'écran.

#### REMARQUE

- Appuyez deux fois sur la touche **Timer On/Off** pour régler l'heure en minutes et en secondes.
- Appuyez une fois sur la touche **Timer On/Off** pour régler l'heure en heures et en minutes.

- 2 Appuyez sur **plus (+)** ou **moins (-)** pour sélectionner l'heure désirée.

- 3 Appuyez sur **Timer On/Off** pour démarrer la minuterie. Le compte à rebours du temps restant apparaît sur l'affichage.

#### REMARQUE

- Si la touche **Timer On/Off** n'est pas enfoncée, l'écran revient à l'heure du jour.
- Si le temps restant n'est pas affiché à l'écran, on peut l'afficher à nouveau en appuyant sur la touche **Timer On/Off**.

- 4 Lorsque le temps réglé est écoulé, le message **End** s'affiche à l'écran. Un son se fera entendre toutes les quinze secondes jusqu'à ce que l'on appuie sur la touche **Timer On/Off**.

### Annulation de la minuterie

- 1 Appuyez une fois sur la touche **Timer On/Off**. L'affichage revient à l'heure du jour.

### Wi-Fi

Le bouton **Wi-Fi** est utilisé pour établir la connexion de l'appareil au réseau Wi-Fi domestique.

## 24 FONCTIONNEMENT

- 1 Maintenez enfoncée la touche **Remote Start** pendant trois secondes.
- 2 La mise sous tension active l'émission d'un signal sonore, le mot **SEt** apparaît à l'écran et l'icône Wi-Fi (📶) clignote.
- 3 Connectez l'appareil au réseau Wi-Fi à l'aide de l'application **LG ThinQ** sur le téléphone intelligent.
- 4 Pour déconnecter l'appareil du réseau, supprimez-le des appareils connectés dans l'application.

### REMARQUE

- Pour obtenir plus de détails, consultez la section Fonctions intelligentes du manuel d'utilisation.

### Réglages (mode d'affichage de l'heure, conversion automatique de la convection, Calibrage de la température du four, voyant d'alarme de préchauffage, volume du signal sonore, degrés Fahrenheit ou Celsius, volume d'alerte de la surface de cuisson activée)

Appuyez sur la touche **Settings** plusieurs fois pour faire défiler les paramètres du four et les modifier.

Le bouton **Settings** vous permet de :

- régler le mode d'affichage sur l'horloge (12 ou 24 heures)
- activer ou désactiver la fonction de conversion automatique de la convection
- calibrer la température du four
- activer ou désactiver le témoin de l'alarme de préchauffage
- régler le volume de l'avertisseur
- changer l'échelle de température des degrés Fahrenheit aux degrés Celsius et vice-versa
- régler le volume de l'alerte de surface de cuisson allumée

### Réglage du mode d'affichage de l'heure

Cette commande est réglée pour l'utilisation d'une horloge en mode 12 heures. Pour régler l'horloge en mode 24 heures, suivez les étapes ci-après.

- 1 Maintenez enfoncée la touche **Clock** pendant trois secondes.
- 2 Appuyez sur **plus (+)** ou **moins (-)** pour basculer entre le mode horloge 12 heures et 24 heures.
- 3 Appuyez sur **START** pour accepter cette modification.

### Réglage de la conversion automatique de la convection

Lorsque le mode **Conv. Bake** est sélectionné, la conversion automatique de la convection convertit automatiquement la température de la recette standard que vous avez entrée à une température de convection en soustrayant 25 °F / 14 °C. La température convertie automatiquement s'affiche à l'écran. Par exemple, si vous sélectionnez le mode **Conv. Bake** et que vous entrez 350 °F, l'indication 325 °F s'affiche à l'écran après le préchauffage.

- 1 Appuyez sur la touche **Clock** et maintenez-la enfoncée pendant trois secondes. Puis, appuyez sur la touche **Clock** plusieurs fois jusqu'à ce que **Auto** s'affiche.
- 2 Appuyez sur **plus (+)** ou **moins (-)** pour activer ou désactiver la fonction.
- 3 Appuyez sur **START** pour accepter cette modification.

### REMARQUE

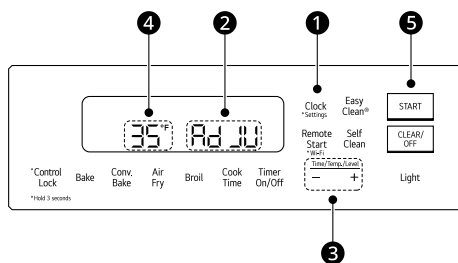
- Le mode de cuisson par convection utilise la circulation de l'air pour cuire plus rapidement et plus uniformément les aliments que le mode de cuisson normal. Vous pouvez donc obtenir de meilleurs résultats de cuisson que le mode de cuisson normal, même lorsque la température est réduite de 25 °F (14°C).

## Calibrage de la température du four

Lorsque vous commencez à utiliser le four, prêtez une attention particulière aux températures, aux durées et aux positions des grilles recommandées dans le manuel. Ce four peut être différent de votre four précédent et il vous faudra peut-être un certain temps pour vous y habituer. Si vous avez suivi les guides recommandés pour ce four et que vous pensez toujours que la température est plus chaude ou plus froide que prévue, vous pouvez ajuster manuellement la température du four affichée.

Il existe deux méthodes pour régler l'affichage de la température.

- Méthode 1 : Essayez d'évaluer de combien il faut augmenter ou diminuer la température affichée en testant des recettes familières à des températures plus élevées ou plus basses que celles recommandées. Cela peut vous aider à décider du degré d'ajustement de la température que vous souhaitez.
- Méthode 2 : Dans un premier temps, réglez la température à 15 °F (8 °C) de plus ou de moins. Essayez le four avec ce réglage. Si vous devez encore régler la température du four, utilisez les résultats du premier réglage comme référence et faites varier la quantité de réglage de la température jusqu'à ce que vous soyez satisfait du réglage du four.



- 1 Appuyez sur la touche **Clock** ① et maintenez-la enfoncée pendant 3 secondes. Ensuite, appuyez sur la touche **Clock** plusieurs fois jusqu'à ce que **AdJ** ② s'affiche.
- 2 Réglez le nombre de degrés à ajuster :
  - Appuyez sur les touches **plus (+)** ou **moins (-)** ③ ou maintenez-les enfoncées jusqu'à ce que le nombre de degrés souhaité s'affiche à l'écran.
  - Le réglage de la température est indiqué à côté de **AdJ** et de ④.
  - Vous pouvez régler la température pour passer de plus ou de moins 35 °F ou 19 °C.

- 3 Appuyez sur **START** ⑤ pour accepter cette modification.

### REMARQUE

- Ce réglage ne modifiera pas les températures des fonctions de cuisson au grill ni d'autonettoyage. Ce réglage sera conservé dans la mémoire même après une panne électrique. La température du four peut être ajustée de 35 °F (19 °C) de plus ou de moins.
- Une fois que la température est réglée, appuyez plusieurs fois sur **Settings** jusqu'à ce que **AdJ** s'affiche pour voir la quantité que vous avez ajustée, et modifiez-la au besoin.
- Les températures affichées par un thermomètre de four placé dans la cavité du four peuvent différer de la température réelle du four dans tous les modes.

### Activation ou désactivation du témoin de l'alarme de préchauffage

Quand le four atteint la température demandée, le témoin de l'alarme de préchauffage clignote cinq fois ou jusqu'à l'ouverture de la porte du four.

Vous pouvez activer ou désactiver le témoin de l'alarme de préchauffage.

- 1 Appuyez sur la touche **Clock** et maintenez-la enfoncée pendant trois secondes. Puis, appuyez sur la touche **Clock** plusieurs fois jusqu'à ce que **P-E** s'affiche.
- 2 Appuyez sur **plus (+)** ou **moins (-)** pour allumer ou éteindre la lumière.
- 3 Appuyez sur **START** pour accepter cette modification.

### Réglage du volume de l'avertisseur

- 1 Appuyez sur la touche **Clock** et maintenez-la enfoncée pendant trois secondes. Puis, appuyez sur la touche **Clock** plusieurs fois jusqu'à ce que **BEEP** s'affiche.
- 2 Appuyez sur **plus (+)** ou **moins (-)** pour sélectionner le volume désiré.

## 26 FONCTIONNEMENT

- Appuyez sur **START** pour accepter cette modification.

### REMARQUE

- Le réglage du volume de l'avertisseur n'affecte pas le volume de l'avertisseur de préchauffage.

### Sélection des degrés Fahrenheit ou Celsius

Réglez l'affichage de la température du four pour afficher les degrés en Fahrenheit (°F) ou en Celsius (°C). Les températures du four par défaut sont en degrés Fahrenheit, sauf si elles ont été changées par l'utilisateur.

- Appuyez sur la touche **Clock** et maintenez-la enfoncée pendant trois secondes. Puis, appuyez sur la touche **Clock** plusieurs fois jusqu'à ce que **F** ou **C** s'affiche.
- Appuyez sur **plus (+)** ou **moins (-)** pour sélectionner **F** (Fahrenheit) ou **C** (Celsius).
- Appuyez sur **START** pour accepter cette modification.

### Réglage du volume de l'alerte de surface de cuisson allumée


- Appuyez sur la touche **Clock** et maintenez-la enfoncée pendant trois secondes. Puis, appuyez sur la touche **Clock** plusieurs fois jusqu'à ce que **Hi**, **Lo** ou **Off** s'affiche.
- Appuyez sur **plus (+)** ou **moins (-)** pour sélectionner **Hi**, **Lo**, **Off**.
- Appuyez sur **START** pour accepter cette modification.

### Verrouillage des commandes

La fonction **Control Lock** permet de verrouiller le panneau de contrôle, mais pas la porte du four.

- Lorsque la fonction **Control Lock** est activée, la surface de cuisson ne fonctionne pas.

- Maintenez enfoncée la touche **Control Lock** pendant trois secondes.

- La mélodie de verrouillage se fait entendre. **Loc** et l'icône de cadenas  apparaissent à l'écran.

- Pour désactiver la fonction **Control Lock**, appuyez sur la touche **Control Lock** et maintenez-la enfoncée pendant trois secondes. La mélodie de déverrouillage se fait entendre et les commandes se déverrouillent.

### REMARQUE

- Le témoin lumineux **Burner On** s'allume lorsque le bouton est tourné même si l'élément de la surface de cuisson n'est pas en marche.

### Temps de cuisson (cuisson minutée)

Réglez le four pour une cuisson d'une durée déterminée à l'aide de la fonction de cuisson minutée. Cette fonction peut être utilisée uniquement avec les modes **Bake**, **Conv. Bake**, **Air Fry** et **Broil**.

#### Réglage de la fonction de cuisson minutée

Par exemple, pour faire cuire des aliments à 300 °F pendant 30 minutes, réglez d'abord l'horloge à la bonne heure.

- Appuyez sur **Bake**. La valeur 350 °F s'affiche.
- Réglez la température. Pour cet exemple, appuyez sur **moins (-)** jusqu'à ce que 300 °F s'affiche.
- Appuyez sur **Cook Time**. Le mot **Timed** clignote à l'écran. Les indications **Bake**, « 0:00 » et « 300 °F » s'affichent à l'écran.
- Réglez le temps de cuisson : appuyez sur **plus (+)** jusqu'à ce que 30:00 s'affiche.
  - La durée du temps de cuisson peut être réglée entre 1 minute et 11 heures 59 minutes.

- Appuyez sur **START**.

Le four continuera la cuisson pendant la période de temps réglée, puis s'arrêtera automatiquement. Lorsque le temps de cuisson est écoulé :

- L'indication **End** et l'heure s'affichent à l'écran.

### Modification du temps de cuisson pendant la cuisson

Par exemple, pour changer le temps de cuisson à 1 heure 30 minutes pendant la cuisson :

- 1** Appuyez sur **Cook Time**.
- 2** Modifiez le temps de cuisson : appuyez sur **plus (+)** jusqu'à ce que 1 heure et 30 minutes s'affichent.
- 3** Appuyez sur **START** pour accepter cette modification.

## 28 FONCTIONNEMENT

### Valeurs de réglage minimales et maximales par défaut

Toutes les fonctions répertoriées ont des valeurs de réglage minimales ou maximales en termes de temps ou de température qu'il est possible d'entrer dans la commande. Un signal sonore d'acceptation d'entrée retentit chaque fois qu'un bouton de commande est enfoncé.

Un signal sonore d'erreur d'entrée (deux sons brefs) se fait entendre si la température ou la durée que l'on entre est inférieure au réglage minimal ou supérieure au réglage maximal de la fonction.

Fonction		Temp. min./Temps	Temp. max./Temps	Valeur par défaut
Clock	12 h	1:00 h/min	12:59 h/min	-
	24 h	0:00 h/min	23:59 h/min	-
Timer	12 h	0:01 min / s	11:59 h/min	-
	24 h	0:01 min / s	11:59 h/min	-
Cook Time	12 h	0:01 h/min	11:59 h/min	-
	24 h	0:01 h/min	11:59 h/min	-
Conv. Bake		300 °F (*275 °F) / 150 °C (*136 °C)	550 °F/285 °C	350 °F (*325 °F) / 175 °C (*161 °C) 11:59 h/min
Broil		Faible, 400 °F 0:01 h/min	Élevé, 500 °F 3:00 h/min	Élevé/3 h
Bake		170 °F/80 °C	550 °F/285 °C	350 °F/175 °C 11:59 h/min
Self Clean		3 h	5 h	4 h
EasyClean		-	-	10 min
Air Fry		300 °F/150 °C	550 °F/285 °C	400 °F/205 °C 11:59 h/min

#### REMARQUE

- \* Utilisation de la conversion automatique
- Grâce aux temps par défaut des modes de cuisson, il n'est pas nécessaire de régler le temps de cuisson.

## Surface de cuisson

### Précautions à prendre lors de l'utilisation de la surface de cuisson

#### AVERTISSEMENT

Avant la cuisson

- Ne faites pas cuire des aliments sur une surface de cuisson endommagée. Si la surface de cuisson est endommagée, les produits nettoyants et les déversements peuvent s'y infiltrer et causer un risque de décharge électrique. Si la surface de cuisson est endommagée, contactez immédiatement un technicien qualifié.

**Pendant la cuisson**

- Les poignées des accessoires de cuisson doivent être tournées vers l'intérieur afin de ne pas se trouver au-dessus des unités de surface adjacentes. Cela réduit le risque de brûlures, d'inflammation de matériaux inflammables et de déversement dû à un contact involontaire avec les accessoires de cuisson.
- Placez toujours la poêle ou la casserole au centre de l'unité de surface sur laquelle vous faites cuire des aliments. Ne laissez jamais les unités de surface sans surveillance lorsqu'elles sont réglées à des températures élevées. Un contact adéquat entre les accessoires de cuisson et le brûleur améliorera également l'efficacité de la cuisson. Les débordements causent de la fumée et des éclaboussures de corps gras qui peuvent s'enflammer.

#### Après la cuisson

- Soyez prudent lorsque vous nettoyez la surface de cuisson. N'utilisez pas d'éponges ou de chiffons pour essuyer les éclaboussures sur une surface de cuisson chaude. Utilisez plutôt un grattoir en métal approprié. Si vous utilisez une éponge ou un chiffon mouillé pour essuyer les éclaboussures sur une surface de cuisson encore chaude, la vapeur peut vous brûler. Certains nettoyants peuvent produire des émanations toxiques lorsqu'ils sont appliqués sur une surface chaude.

### **⚠ MISE EN GARDE**

#### Avant la cuisson

- N'utilisez pas la surface de cuisson en verre en guise de planche à découper.
- Placez d'abord les accessoires de cuisson sur les unités chauffantes avant de les allumer.
- Ne rangez pas d'objets lourds au-dessus de la surface de cuisson qui pourraient tomber et l'endommager.
- Ne placez ni ne rangez d'articles inflammables ou sensibles à la chaleur sur la surface de cuisson à induction, même lorsqu'elle n'est pas utilisée.
- Placez les accessoires de cuisson sur les éléments de cuisson avant d'allumer la surface de cuisson à induction.
- Ne placez pas de récipients scellés sur la surface de cuisson.

#### Pendant la cuisson

- Ne faites jamais cuire des aliments directement sur la surface en verre. Utilisez toujours des accessoires de cuisson.
- Ne placez pas d'objets métalliques tels que des couteaux, des fourchettes, des cuillères et des

couvercles sur la surface de cuisson à induction; ils peuvent devenir chauds.

- Utilisez cet appareil uniquement pour un usage domestique normal. Il n'est pas conçu pour un usage commercial ou industriel.
- N'utilisez jamais l'appareil pour chauffer une pièce.
- Soyez prudent lorsque vous branchez des appareils électriques sur des prises de courant à proximité de la surface de cuisson. Évitez que les cordons d'alimentation n'entrent en contact avec la surface ou les accessoires de cuisson.
- La graisse et l'huile surchauffées peuvent s'enflammer rapidement. Ne laissez jamais les éléments de surface sans surveillance lorsque vous faites frire des aliments.
- N'utilisez pas la surface de cuisson à induction pour chauffer du papier d'aluminium, des produits emballés dans du papier d'aluminium ou des aliments congelés emballés dans des accessoires de cuisson en aluminium.
- Soyez prudent lorsque vous branchez des appareils électriques dans des prises situées à proximité de la surface de cuisson. Éloignez les cordons d'alimentation de la surface ou des accessoires de cuisson chauds.
- Les utilisateurs porteurs de stimulateurs cardiaques et d'implants cardiaques actifs doivent maintenir le haut de leur corps à une distance minimale de 30 cm (1 pi) des éléments de cuisson à induction actifs. En cas de doute, consultez le fabricant de l'implant ou votre médecin.

#### Après la cuisson

- Essuyez immédiatement les éclaboussures sur la surface de cuisson pour éviter un nettoyage plus difficile plus tard.
- N'utilisez pas de laine d'acier, de tampons à récurer ou de chiffons de nettoyage abrasifs. Ils pourraient rayer la surface.
- Après utilisation, éteignez l'élément de cuisson par induction à l'aide de sa commande. Ne vous fiez pas au capteur de casserole.

### Recommandations pour le préchauffage de la casserole

La cuisson par induction peut réduire le temps nécessaire au préchauffage des accessoires de cuisson par rapport à la cuisson sur une surface de cuisson à élément radiant ou un brûleur de surface au gaz.

Surveillez attentivement tous les aliments pendant la cuisson sur la surface de cuisson ou dans le four,

## 30 FONCTIONNEMENT

et jusqu'à ce que tous les processus de cuisson soient terminés.

### ⚠ MISE EN GARDE

- N'oubliez pas que la surface de cuisson à induction chauffe initialement l'accessoire de cuisson TRÈS RAPIDEMENT si ce dernier ne contient pas d'aliments.

### Bruits pendant le fonctionnement de la surface de cuisson

- **Son de l'induction** : Les processus électroniques de la cuisson par induction créent certains bruits de fond inhabituels, comme un léger bourdonnement. Ces bruits font partie intégrante du processus de cuisson par induction.
- **Vibration de l'accessoire de cuisson** : Certains accessoires de cuisson émettent un bourdonnement, en fonction de leur construction ou de leur matériau de base. Le bourdonnement peut être plus perceptible si la casserole ou son contenu sont froids ou si le fond de la casserole n'est pas plat. Au fur et à mesure que la casserole se réchauffe, le bruit diminue. Le bruit diminuera également si le réglage du niveau d'alimentation est réduit.
- **Son du ventilateur de refroidissement** : Le ventilateur peut fonctionner pendant l'utilisation de la surface de cuisson à induction pour réduire la température du produit. Le ventilateur de refroidissement peut également fonctionner après l'arrêt de la surface de cuisson.

### REMARQUE

- Lorsque vous utilisez la surface de cuisson à induction, les bruits de fonctionnement sont plus perceptibles lors de la cuisson en mode **Boost**. Les bruits très forts ne sont toutefois pas habituels lors de la cuisson par induction.

### Accessoire de cuisson chaud et chaleur résiduelle

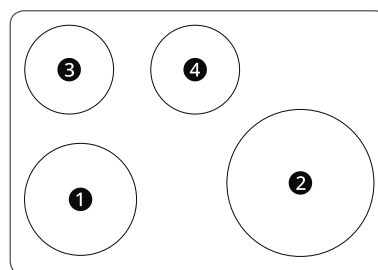
#### ⚠ MISE EN GARDE

- Contrairement aux éléments radiants de la surface, les éléments de cuisson à induction ne s'allument pas en rouge lorsqu'ils sont chauds. Vous pouvez vous brûler si la surface en verre est chaude à cause de la chaleur résiduelle transférée par l'accessoire de cuisson. Ne touchez pas les accessoires de cuisson ou les casseroles chaudes. Utilisez des gants de cuisine

ou des poignées pour protéger vos mains des brûlures.

### Zones de cuisson

La surface de cuisson est dotée de quatre éléments de cuisson à induction de tailles différentes. Les puissances en watts indiquées ci-dessous sont des puissances maximales. La deuxième valeur est la puissance maximale en mode Boost.



- 1 Élément de cuisson à induction avant gauche :  
8 po, 2 100 W/3 200 W (240 V)
- 2 Élément de cuisson à induction avant droit :  
11 po, 2400 W/3900 W (240 V)
- 3 Élément de cuisson à induction arrière gauche :  
6 po, 1300 W/1800 W (240 V)
- 4 Élément de cuisson à induction arrière central :  
6 po, 1300 W/1800 W (240 V)

### Avantages de la cuisson à induction

#### Vitesse et efficacité

Les éléments de cuisson à induction chauffent plus rapidement et consomment moins d'énergie. Les niveaux de puissance de l'induction permettent de faire bouillir les liquides rapidement et sont efficaces pour les faire mijoter.

#### Une surface de cuisson plus froide

Que les éléments de cuisson à induction soient allumés ou éteints, ils restent plus froids que les éléments radiants. Pratiquement aucune chaleur n'est perdue, car la chaleur commence avec la présence de l'accessoire de cuisson.

#### Nettoyage facile

Les éléments de cuisson plus froids facilitent le nettoyage. Les éclaboussures ne collent pas et ne



brûlent pas, ce qui permet de les essayer facilement.

### Détection de la taille des casseroles

Un capteur détecte et adapte automatiquement l'élément de cuisson à induction à la taille de la casserole utilisée, pour une cuisson plus homogène et régulière.

### Meilleure réactivité

Les éléments de cuisson à induction sont plus réactifs que leurs homologues électriques ou à gaz, car seule la casserole chauffe. Les éléments à induction chauffent plus facilement et sont tout aussi réactifs lorsque vous réduisez la température à un mijotage.

## Accessoires de cuisson à induction

### REMARQUE

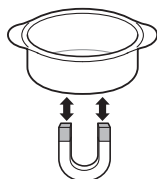
- Avant d'utiliser les éléments de cuisson à induction, lisez attentivement et suivez les recommandations pour les accessoires de cuisson, ainsi que les instructions des sections relatives à la détection des casseroles.

Lorsque vous achetez des casseroles à utiliser sur la surface de cuisson à induction, recherchez des accessoires de cuisson marqués par le fabricant comme étant « prêts pour l'induction » ou « compatibles avec l'induction », ou qui sont marqués par le fabricant comme spécialement conçus pour la cuisson à induction.

Symboles des accessoires de cuisson compatibles avec l'induction



Le matériau de base de l'accessoire de cuisson doit être magnétique pour que les éléments de cuisson s'activent. Utilisez un aimant pour vérifier si le matériau de base de l'accessoire de cuisson est approprié. Si l'aimant adhère au fond de l'accessoire de cuisson, celui-ci peut être utilisé pour la cuisson à induction.



Pour obtenir des résultats optimaux sur la surface de cuisson, utilisez uniquement des accessoires de

cuisson en acier de haute qualité et de forte épaisseur sur les éléments de cuisson à induction. Suivez les recommandations du fabricant lorsque vous utilisez des accessoires de cuisson à induction.

### Types d'accessoires à induction

Les trois types d'accessoires de cuisson à induction les plus courants sont l'acier inoxydable, la fonte et les métaux recouverts d'émail de porcelaine.

- L'**acier inoxydable** est généralement excellent pour la cuisson à induction. Il est durable, facile à nettoyer et résiste aux taches.

### REMARQUE

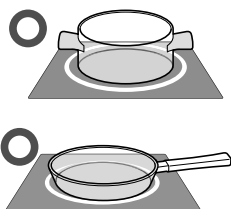
- Tous les accessoires de cuisson en acier inoxydable ne sont pas magnétiques; l'acier inoxydable ne convient pas toujours à la cuisson à induction.
- La **fonte** cuit uniformément et convient également à la cuisson à induction. Ne faites pas glisser les accessoires en fonte sur la surface de cuisson; les accessoires en fonte dont la surface est rugueuse rayeront la surface de cuisson en céramique.
- Les **métaux en émail vitrifié** ont des caractéristiques de chauffage variables qui dépendent de la qualité du matériau de base. Le revêtement en émail vitrifié doit être lisse pour éviter de rayer la surface de cuisson en céramique.

## Placement des accessoires de cuisson

Utilisez les accessoires de cuisson appropriés et placez-les correctement sur la surface de cuisson. Un ou plusieurs éléments de cuisson ne chaufferont pas si l'une des conditions incorrectes indiquées est détectée par les capteurs situés sous la surface de cuisson en céramique. Rectifiez le problème avant de tenter d'utiliser la surface de cuisson.

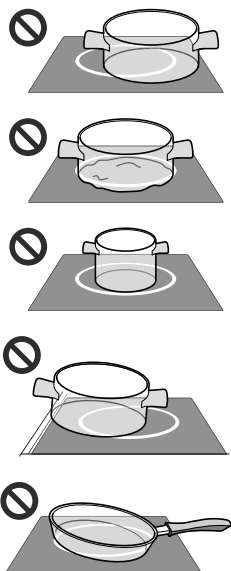
## 32 FONCTIONNEMENT

### Utilisation correcte



- L'accessoire de cuisson est correctement centré sur la surface de l'élément de cuisson.
- La casserole a un fond plat et des côtés droits.
- La taille de la casserole correspond ou dépasse la taille minimale recommandée pour l'élément de cuisson.
- La casserole repose entièrement sur la surface de cuisson.
- La casserole est correctement équilibrée.

### Utilisation incorrecte



- L'accessoire de cuisson n'est pas centré sur la surface de l'élément de cuisson.
- Le fond ou les côtés de la casserole sont courbés ou déformés.
- La casserole n'a pas la taille minimale requise pour l'élément de cuisson utilisé.
- Le fond de la casserole repose sur le rebord de la surface de cuisson ou ne repose pas complètement sur la surface de cuisson.
- La casserole est déséquilibrée par une poignée lourde.

### Détection des casseroles

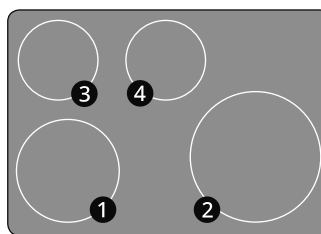
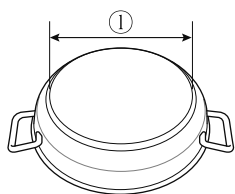
Les capteurs des éléments de cuisson situés sous la surface de cuisson exigent que certaines conditions soient remplies pour que les éléments de cuisson à induction puissent fonctionner.

Si un élément de cuisson est activé et qu'aucun ustensile n'est détecté, ou si l'ustensile ne remplit pas les conditions requises, il se peut que la zone de cuisson ne chauffe pas.

Si le problème n'est pas rectifié, l'élément de cuisson concerné se désactivera automatiquement après une minute.

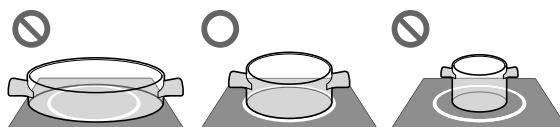
### Taille minimale et maximale des casseroles

La surface de cuisson à induction comporte quatre éléments de cuisson. Chaque élément requiert une taille de casserole appropriée pour être utilisé efficacement. La taille du fond de la casserole doit se situer entre les diamètres maximum et minimum ① pour que la cuisson se déroule correctement.



Zone de cuisson	Élément chauffant		Diamètre du fond de la casserole ①	
	Type	Taille (po)	Min.	Max.
①	Induction	8	7.5 po (190 mm)	9,2 po (224 mm)
②	Induction	11	9.5 po (241 mm)	11.8 po (300 mm)
③	Induction	6	5.5 po (140 mm)	7,0 po (178 mm)
④	Induction	6	5.5 po (140 mm)	7,0 po (178 mm)

La casserole doit être entièrement en contact avec la surface vitrée, sans que le fond de la casserole ne touche la garniture métallique de la surface de cuisson.



Si le récipient à induction approprié centré sur l'un des éléments de cuisson actifs est trop petit, la casserole ne chauffe pas.

## Mise en conserve

### ⚠ MISE EN GARDE

- La mise en conserve peut générer de grandes quantités de vapeur. Faites preuve d'une extrême prudence pour éviter les brûlures. Relevez le couvercle pour que la vapeur s'échappe loin de vous. Afin que la mise en conserve soit sécuritaire, il faut que les micro-organismes nuisibles soient détruits et que les bords soient complètement fermés. Si vous utilisez un bain-marie, maintenez une ébullition douce, mais régulière pendant la durée requise.

Lisez et respectez les consignes suivantes lors de la mise en conserve. Lisez les renseignements sur le site Web de l'USDA (United States Department of Agriculture) et suivez les recommandations qui y sont formulées concernant les procédures de mise en conserve.

- N'utilisez que des cuiseurs de qualité à fond plat pour la mise en conserve. Utilisez une règle pour vérifier la planéité du fond du cuiseur.
- Les cuiseurs dont les arêtes rayonnent à partir du centre du fond ne conviennent pas pour une

utilisation sur une surface de cuisson en vitrocéramique.

- Le diamètre du cuiseur ne doit pas dépasser de plus d'un pouce les repères de l'élément de cuisson maximum. Utilisez des cuiseurs de plus petit diamètre sur les cuisinières équipées d'une surface de cuisson en vitrocéramique ou d'une surface de cuisson électrique à serpentin ouvert.
- Commencez par l'eau chaude du robinet pour faire bouillir l'eau plus rapidement. Amenez l'eau à une ébullition initiale en utilisant le réglage de chaleur le plus élevé. Une fois que l'eau bout, réduisez le feu autant que possible tout en maintenant l'ébullition.
- Il est préférable de mettre en conserve de petites quantités et de garder le cuiseur assez léger pour le soulever.
- Ne laissez pas les bains-marie ou les cuiseurs sous pression à feu vif pendant de longues périodes.
- Alternez les éléments de surface entre chaque portion pour permettre aux éléments et aux surfaces environnantes de refroidir. N'utilisez pas le même élément toute la journée.

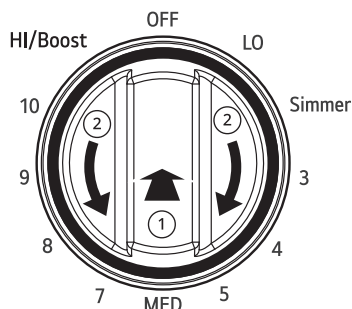
## 34 FONCTIONNEMENT

### Utilisation des éléments de cuisson

répondant aux exigences de taille minimale et maximale des casseroles.

#### Allumer un élément de cuisson

- 1 Enfoncez le bouton de commande.
- 2 Tournez le bouton dans un sens ou dans l'autre pour obtenir le réglage souhaité. Un bref bip retentira.



#### Niveau de puissance Boost

Le mode **Boost** n'est disponible qu'immédiatement après l'activation d'un élément de cuisson. Lorsque l'élément de cuisson est réglé sur le mode **Boost**, le mode reste en marche pendant 10 minutes. Après 10 minutes, l'élément de cuisson revient automatiquement au réglage de niveau 10.

#### Indicateur de surface chaude

L'indicateur lumineux de surface chaude s'allume tant que la surface de cuisson est trop chaude pour être touchée.

Il reste allumé après que l'élément soit éteint et jusqu'à ce que la surface ait refroidi à environ 130 °F.

Si vous cuisinez à une température plus basse, il est normal que les éléments de cuisson s'allument et s'éteignent successivement.

#### Paramètres recommandés pour la surface de cuisson

Commencez la plupart des cuissons sur la surface sur un réglage plus élevé, puis passez à un réglage plus bas pour les terminer.

Les réglages suggérés peuvent nécessiter des ajustements, selon la conception et la qualité de l'accessoire de cuisson et la quantité d'aliments préparés.

Utilisez des accessoires de cuisson de qualité fabriqués à partir d'un matériau magnétique et

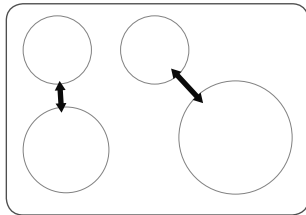
Paramètre	Utilisation recommandée
Boost	<ul style="list-style-type: none"> <li>À utiliser pour chauffer une grande quantité d'aliments ou pour porter de grandes casseroles d'eau à ébullition</li> </ul>
10-HI	<ul style="list-style-type: none"> <li>Pour porter les liquides à ébullition</li> <li>Pour commencer la plupart des cuissons</li> </ul>
MED-10	<ul style="list-style-type: none"> <li>Pour maintenir une ébullition rapide, faire frire ou faire de la grande friture</li> <li>Pour faire dorer ou saisir rapidement les aliments</li> <li>Steaks, côtelettes, viande grillée</li> </ul>
3-MED	<ul style="list-style-type: none"> <li>Pour maintenir une ébullition lente</li> <li>Pour faire frire ou sauter des aliments</li> <li>Pour cuisiner des soupes et des sauces</li> <li>Œufs, crêpes</li> </ul>
SIMMER-3	<ul style="list-style-type: none"> <li>Pour faire cuire des ragoûts ou pour faire cuire des aliments à la vapeur</li> <li>Pour faire mijoter</li> </ul>
Lo-SIMMER	<ul style="list-style-type: none"> <li>Pour garder la nourriture chaude</li> <li>Pour faire fondre le chocolat ou le beurre</li> <li>Pour faire mijoter</li> </ul>

#### Gestion de l'alimentation

Les zones de cuisson, qui se composent d'éléments de cuisson appariés, sont limitées à une certaine quantité maximale d'alimentation.

Si vous activez la fonction Boost pour un élément alors que l'autre est en cours d'utilisation, la fonction de gestion de l'alimentation peut automatiquement réduire l'alimentation des deux éléments. Pour des performances constantes lors

de l'utilisation de plusieurs éléments, utilisez des éléments dans des zones de cuisson distinctes.



### REMARQUE

- Si la chaleur combinée du four et des brûleurs de surface est suffisamment élevée, la puissance des brûleurs de surface est réduite pour éviter d'endommager le produit.
- Le mode Boost ne peut pas être utilisé en même temps sur les deux éléments d'un ensemble d'éléments appariés. Pour utiliser le mode Boost sur deux éléments simultanément, utilisez des éléments non appariés.

## Four

### Avant d'utiliser le four

#### REMARQUE

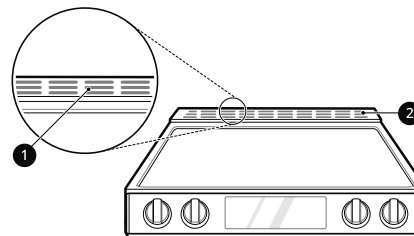
- En raison des cycles de température du four, un thermomètre placé dans la cavité du four peut indiquer une température différente de celle que le four affiche.
- Pendant un cycle de cuisson régulier, il est normal que le ventilateur de convection fonctionne pendant le préchauffage.
- Le moteur du ventilateur de convection peut fonctionner de façon périodique pendant un cycle de cuisson régulier.
- L'élément s'éteint si la porte est laissée ouverte pendant la cuisson. Si la porte reste ouverte pendant plus de 30 secondes pendant la cuisson, l'élément s'éteint. L'élément se rallume automatiquement dès que la porte est refermée.
- Évitez d'ouvrir la porte du four plus que nécessaire lors que vous faites cuire des aliments. Cela permet de conserver la température du four, d'éviter les pertes de chaleur inutiles et d'économiser de l'énergie.

### Évent du four

Les zones situées à proximité de l'évent peuvent devenir chaudes pendant le fonctionnement et

peuvent causer des brûlures. N'obstruez pas l'ouverture de l'évent. Évitez de placer des objets en plastique près de l'évent, car la chaleur peut les déformer ou les faire fondre.

De la vapeur peut être visible lors de la cuisson d'aliments contenant beaucoup d'eau. Ceci est normal.



① Évent du four

② Garniture d'évent

#### ⚠ MISE EN GARDE

- Les rebords de l'évent de la cuisinière sont coupants. Portez des gants lorsque vous nettoyez la cuisinière afin d'éviter les blessures.
- Ne bloquez pas l'évent du four pendant la cuisson, n'y touchez pas et ne placez pas d'objets à proximité.
  - Ne bloquez pas l'évent du four pendant la cuisson de façon à permettre une bonne circulation de l'air. Ne touchez pas aux événements ou aux surfaces adjacentes pendant la cuisson.

### Utilisation des grilles du four

Les grilles sont munies d'un bord arrière surélevé qui empêche de les tirer hors de la cavité du four.

#### ⚠ MISE EN GARDE

- Remplacez les grilles du four avant de mettre le four en marche pour éviter de vous brûler.
- Ne couvrez pas les grilles avec du papier d'aluminium ou tout autre matériau, et ne placez rien au fond du four. Cela pourrait nuire à la cuisson et pourrait endommager le fond du four.
- Attendez que le four soit froid avant de placer les grilles du four.
- Ne placez pas d'articles pesant plus de 15 kg (33 lb) sur les grilles. Ne placez pas d'articles lourds sur les coins des grilles. Cela pourrait endommager les grilles.

## 36 FONCTIONNEMENT

### Retrait des grilles

- 1 Tirez la grille tout droit jusqu'à ce qu'elle s'arrête.
- 2 Soulevez le devant de la grille et tirez pour la sortir complètement.

### Remise en place des grilles

- 1 Placez l'extrémité de la grille sur les supports.
- 2 Soulevez la partie avant et poussez la grille dans le four.

### Cuisson

La fonction de cuisson sert à préparer notamment des pâtisseries, du pain et des plats.

Le four peut être programmé pour cuire à n'importe quelle température située entre 170 °F (80 °C) et 550 °F (285 °C). La température par défaut est de 350 °F (175 °C).

#### Réglage de la fonction de cuisson (Par exemple, pour une cuisson à 375 °F)

- 1 Appuyez sur **Bake**. La valeur 350 °F s'affiche.
- 2 Réglez la température du four : appuyez sur **plus (+)** jusqu'à ce que 375 °F s'affiche.
- 3 Appuyez sur **START**. Le préchauffage du four commence.

#### REMARQUE

- Pendant le préchauffage du four, la température s'affiche et augmente par tranche de 5 degrés. Une fois que le four a atteint la température établie, un signal sonore se fait entendre et la lampe du four clignote.

- 4 Lorsque la cuisson est terminée, appuyez sur **CLEAR/OFF**.

- 5 Sortez les aliments du four.

#### REMARQUE

- Le ventilateur à convection fonctionne périodiquement tout au long d'un cycle de cuisson normal dans le four. Cela permet d'obtenir des résultats uniformes.

#### Conseils en matière de cuisson

- Le temps et la température de cuisson varient en fonction des caractéristiques, de la taille et de la forme de l'accessoire de cuisson utilisé.
- Vérifiez la cuisson de la nourriture dès que le temps minimal de la recette est écoulé.
- Utilisez des accessoires de cuisson en métal (avec ou sans revêtement antiadhésif), en vitrocéramique résistant à la chaleur ou en céramique, ou tout autre accessoire de cuisson recommandé pour une utilisation au four.
- Les casseroles métalliques foncées ou les revêtements antiadhésifs permettent de faire cuire les aliments plus rapidement et les feront dorer davantage. Les accessoires de cuisson isolés augmentent légèrement le temps de cuisson de la plupart des aliments.
- Le fond du four possède un revêtement en émail vitrifié. Pour rendre la tâche de nettoyage plus facile, protégez le fond du four contre les déversements importants en plaçant une plaque à biscuits sur la grille située sous celle utilisée pour la cuisson. Cette précaution est particulièrement importante lorsque vous faites cuire une tarte aux fruits ou d'autres aliments à forte teneur en acide. Les garnitures de fruits et autres aliments très acides chauds peuvent corroder et endommager la surface en émail vitrifié et doivent être essuyés dès qu'il est sécuritaire de le faire.

#### Mode de convection

Le système de convection utilise un ventilateur pour faire circuler la chaleur de façon uniforme à l'intérieur du four. Cette amélioration de la distribution de la chaleur permet d'obtenir une cuisson plus uniforme et d'excellents résultats lorsqu'on cuisine avec une seule ou plusieurs grilles.

#### Réglage de la fonction de convection

##### (par exemple, cuisson à 375 °F)

- 1 Appuyez sur **Conv.Bake**. La valeur 350 °F s'affiche.

- 2 Réglez la température du four : appuyez sur **plus (+)** jusqu'à ce que 375 °F s'affiche.
- 3 Appuyez sur **START**. L'écran affiche **Conv. Bake** et la température de départ du four dépend de la température de la cavité du four.
  - Pendant que le four préchauffe, l'écran affiche la température qui augmente par tranche de 5 degrés. Une fois que le four atteint la température sélectionnée, un signal sonore se fait entendre et la lampe du four clignote. L'affichage indique la température du four après la conversion automatique, soit 350 °F, et l'icône du ventilateur.
- 4 Appuyez sur **CLEAR/OFF** pour annuler en tout temps ou lorsque la cuisson est terminée.

#### REMARQUE

- Le ventilateur du four fonctionne pendant la cuisson par convection. Le ventilateur s'arrête lorsque la porte est ouverte. Dans certains cas, le ventilateur pourrait s'arrêter durant un cycle de cuisson par convection.

#### Conseils pour la cuisson par convection

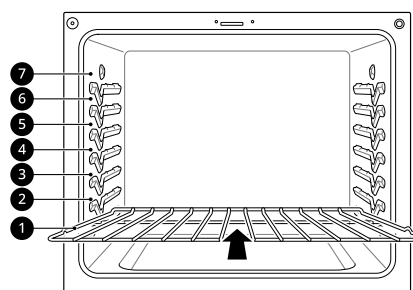
- Utilisez la cuisson par convection pour cuire plus rapidement et plus uniformément les aliments disposés sur plusieurs grilles, comme les pâtisseries, les biscuits, les muffins, les petits gâteaux et tous les types de pains.
- Les biscuits et les petits gâteaux doivent être cuits sur des plaques sans bords ou à bords très bas pour permettre à l'air chauffé de circuler autour. Les aliments cuiront plus vite sur des plaques au fini foncé.
- En mode de cuisson par convection, placez les grilles du four dans les positions suggérées dans les tableaux de ce manuel.
- La cuisson sur plusieurs grilles du four pourrait augmenter légèrement le temps de cuisson pour certains aliments.
- La cuisson des gâteaux, des biscuits et des muffins est plus réussie si on dispose les aliments sur plusieurs grilles.

## Guide sur les recommandations pour la cuisson

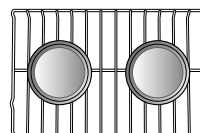
Vous obtiendrez de meilleurs résultats de cuisson si les plats sont centrés dans le four. Si la cuisson nécessite plusieurs grilles, placez les grilles du four dans les positions présentées.

Le fait d'utiliser plusieurs grilles permet d'économiser du temps et de l'énergie. Si possible, faites cuire ensemble dans le même four les aliments qui requièrent la même température de cuisson.

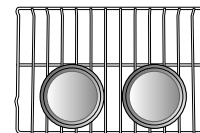
### Positionnement des grilles et des plats



#### Cuisson sur plusieurs grilles

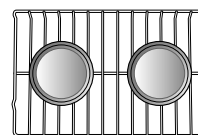


Grille standard  
(position 2)



Grille standard  
(position 5)

#### Cuisson sur une seule grille



Grille standard

## Guide sur l'utilisation des grilles de cuisson

Aliment		Position de la grille
Gâteaux	Gâteaux étagés	2
	Gâteaux Bundt (savarin)	3
	Gâteaux des anges	3

## 38 FONCTIONNEMENT

Aliment		Position de la grille
Biscuits	Biscuits au sucre	4
	Aux pépites de chocolat	4
	Brownies	4
Pizza	Fraîche	3
	Congelée	3
Pâte à tarte	Maison	4
	Réfrigérée	4
Pains	Pâte à biscuit en boîte	5
	Pâte à biscuits maison	5
	Muffins	4
Desserts	Croustades ou pavés aux fruits, maison	4
	Tartes aux fruits maison, à deux croûtes	4
Crèmes anglaises	Gâteau au fromage, crème brûlée	2
Soufflés	Sucré ou salé	2
Plat en casserole	Lasagne surgelée	4

### Gril

Pour faire cuire les aliments, la fonction de gril utilise la chaleur intense de l'élément chauffant supérieur. La cuisson au gril convient mieux aux viandes tendres, aux poissons et aux légumes coupés finement.

Certains modèles peuvent comporter un grilloir hybride composé d'un grilloir intérieur avec un élément chauffant en carbone fournissant une chaleur instantanée, et d'un élément de grillage extérieur traditionnel. Lors de l'utilisation régulière du grilloir, l'un ou l'autre des éléments peut s'éteindre par intermittence. Ceci est normal.

#### **⚠ MISE EN GARDE**

- N'utilisez pas une lèchefrite sans son gril. L'huile peut causer un feu de graisse.
- Ne couvrez pas le gril ou la lèchefrite de papier d'aluminium. Vous risqueriez de causer un incendie.
- Utilisez toujours une lèchefrite et un gril pour le drainage de l'excédent de gras et de matières grasses. Ceci permettra de réduire les éclaboussures, la fumée et les flambées.
- Lors de l'utilisation du grilloir, la température à l'intérieur du four est extrêmement élevée.

Soyez prudent et évitez de possibles brûlures en respectant les consignes suivantes :

- Pendant la cuisson au gril, gardez la porte fermée.
- Portez toujours des gants de cuisine pour mettre des plats au four ou les enlever.

#### REMARQUE

- Cette cuisinière a été conçue pour utiliser la fonction de cuisson au gril avec la porte fermée. Fermez la porte et réglez la fonction de gril. Si la porte est ouverte, la fonction de gril ne pourra pas s'activer et le mot « door » (porte) apparaîtra sur l'écran. Fermez la porte et relancez la fonction de gril. Pendant la cuisson au gril, l'ouverture de la porte éteint le brûleur de gril. Si la porte est ouverte pendant la cuisson au gril, le brûleur de gril s'éteint au bout de cinq secondes. Le grilloir se rallume automatiquement dès que la porte est refermée.

#### Réglage du four à gril

- 1 Appuyez sur **Broil**. Appuyez plusieurs fois sur **Broil** pour basculer entre H et Lo.
- 2 Appuyez sur **START**. Le four commencera à chauffer.
- 3 Si vous utilisez la fonction **Broil** (gril), laissez préchauffer le four pendant environ cinq minutes avant d'y placer les aliments à cuire.
- 4 Placez les aliments dans le four.
- 5 Fermez la porte du four. La porte du four doit être fermée pendant la cuisson au gril.
- 6 Appuyez sur **CLEAR/OFF** pour annuler en tout temps ou lorsque la cuisson est terminée.

#### Conseils pour réduire la quantité de fumée

En raison de la chaleur intense associée à la cuisson au gril, il est normal qu'il y ait de la fumée pendant la cuisson et cela ne doit pas vous inquiéter. Si la quantité de fumée vous incommode, les conseils suivants vous aideront à réduire la quantité de fumée dans votre four.

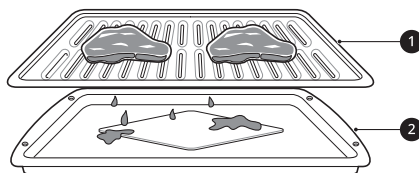


- Utilisez toujours une lèchefrite. Pour des raisons de sécurité, n'utilisez pas de sauteuses ou de plaques à pâtisserie ordinaires.
- La lèchefrite doit toujours être bien propre et à température ambiante au début de la cuisson.
- Activez toujours le système de ventilation de la surface de cuisson ou votre hotte de ventilation pendant la cuisson au grill.
- Gardez l'intérieur de votre four aussi propre que possible. Si vous ne nettoyez pas les restes des repas précédents, ils pourraient brûler ou prendre feu.
- Évitez les marinades grasses et les glaçages sucrés. Ces deux aliments augmenteront la quantité de fumée qui se dégagera de la cuisson. Si vous souhaitez utiliser un glaçage, appliquez-le à la toute fin de la cuisson.
- Si beaucoup de fumée se dégage de vos aliments, il vaudrait mieux :
  - Régler la température du grilloir à **Lo**.
  - Descendre la grille pour cuire les aliments plus loin du grilloir.
  - Régler la température de la fonction de grill à **HI** pour atteindre le niveau de grillage souhaité, puis régler la température à **Lo** ou passer en mode cuisson.
- En règle générale, les viandes grasses et les poissons plus gras produisent plus de fumée que les morceaux plus maigres.
- Dans la mesure du possible, suivez les directives énoncées à la section **Guide sur la cuisson au grill recommandée**.

## Guide sur la cuisson au grill recommandée

La taille, le poids, l'épaisseur, la température de départ et votre préférence en matière de cuisson détermineront le temps de cuisson au grill.

Ce guide vous conseille sur la cuisson des viandes réfrigérées. Pour obtenir les meilleurs résultats lors de la cuisson, utilisez une poêle conçue pour la cuisson au grill.



- 1 Gril (vendu séparément)
- 2 Lèchefrite (vendue séparément)

Aliment	Quantité ou épaisseur	Position de la grille	Premier côté (min)	Deuxième côté (min)	Commentaires
<b>Hamburgers</b>	9 galettes 1/2 à 3/4 po d'épaisseur	7	3 - 6	2 - 4	Espacez les aliments à griller uniformément. Il est possible de faire griller jusqu'à neuf galettes à la fois.
<b>Poulet</b>	Un poulet entier pesant de 2 à 2 1/2 lb, coupé en deux dans le sens de la longueur	5	8 - 10	4 - 6	Grillez le morceau avec la peau vers le bas d'abord.
	Deux poitrines	5	8 - 10	5 - 7	
<b>Rôties</b>	1 à 9 pièces	7	0,5 - 1	0,5	

## 40 FONCTIONNEMENT

Aliment	Quantité ou épaisseur		Position de la grille	Premier côté (min)	Deuxième côté (min)	Commentaires
<b>Steaks de bœuf</b>	1 po d'épaisseur 1 à 1 1/2 lb	Saignant	7	3 - 5	2 - 4	Les steaks de moins d'un pouce d'épaisseur cuisent avant de brunir. La friture à la poêle est recommandée. Incisez pour extraire la graisse.
		Moyen	7	4 - 6	2 - 4	
		Bien cuit	7	5 - 7	3 - 5	
	1 1/2 po d'épaisseur 2 à 2 1/2 lb	Saignant	5	7 - 9	4 - 6	
		Moyen	5	9 - 11	6 - 8	
		Bien cuit	5	11 - 13	8 - 10	
<b>Queues de homard</b>	2 - 4 10 à 12 oz chacune		5	9 - 12	Ne retournez pas.	Découpez la carapace. Ouvrez. Badigeonnez de beurre fondu avant la cuisson au gril et après que la moitié du temps de cuisson se soit écoulée.
<b>Filets de poisson</b>	1/4 à 1/2 po d'épaisseur		6	2 - 4	2 - 4	Prenez et tournez les filets avec délicatesse. Si vous le souhaitez, badigeonnez de beurre citronné avant et pendant la cuisson.
<b>Tranches de jambon (précuites)</b>	1/2 po d'épaisseur		5	2 - 4	2 - 4	Augmentez le temps de cuisson de 5 à 10 minutes par côté pour du jambon de 1 1/2 po d'épaisseur ou du jambon fumé à la maison.
<b>Côtelettes de porc</b> Bien cuit	2 (1 1/2 po d'épaisseur)		6	3 - 6	4 - 7	
	Deux côtelettes (1 po d'épaisseur) d'environ 1 lb		5	5 - 8	5 - 8	
<b>Côtelettes d'agneau</b>	Deux côtelettes (1 po d'épaisseur) d'environ 10 à 12 oz.	Moyen	6	3 - 5	2 - 5	
		Bien cuit	6	5 - 7	4 - 7	
	Deux côtelettes (1 1/2 po d'épaisseur) d'environ 1 lb	Moyen	6	7 - 9	7 - 9	
		Bien cuit	6	9 - 11	7 - 9	
<b>Darnes de saumon</b>	Deux darnes (1 po d'épaisseur)		5	8 - 10	3 - 5	Graissez la poêle. Badigeonnez les steaks de beurre fondu.
	Quatre darnes (1 po d'épaisseur) d'environ 1 lb		5	9 - 11	4 - 6	

- Ce guide est présenté à titre de référence seulement. Réglez le temps de cuisson selon vos préférences.
- N'utilisez pas la grille coulissante à la position 7.

**REMARQUE**

- L'USDA indique que le fait de consommer du poisson, de la viande ou de la volaille crus ou pas assez cuits peut augmenter le risque de maladies d'origine alimentaire.
- L'USDA a établi que les températures internes minimales suivantes sont propres à la consommation :
  - Bœuf haché : 160 °F (71,1 °C)
  - Volaille : 165 °F (73,9 °C)
  - Bœuf, veau, porc ou agneau : 145 °F (62,8 °C)
  - Poissons et fruits de mer : 145 °F (62,8 °C)

**Conseils pour la cuisson au grill**

- **Bœuf**
  - Les steaks et les côtelettes doivent toujours reposer pendant cinq minutes avant d'être découpés et mangés. Cela permet à la chaleur de se répartir uniformément dans les aliments, ce qui rend le steak plus tendre et plus juteux.
  - Les morceaux de viande de plus de deux pouces d'épaisseur doivent être sortis du réfrigérateur 30 minutes avant la cuisson. Cela leur permettra de cuire plus rapidement et de manière plus uniforme, et de produire moins de fumée lors de la cuisson au grill. Les temps de cuisson seront probablement plus courts que ceux indiqués dans le tableau de cuisson au grill.
  - Pour les côtes de bœuf ou les côtelettes à manche (c.-à-d. où toute la viande autour de l'os a été enlevée), enveloppez les parties dénudées de l'os dans une feuille d'aluminium pour réduire les risques de brûlure.
- **Fruits de mer**
  - Lorsque vous faites griller du poisson avec la peau, utilisez toujours le réglage de cuisson au grill « Lo » et faites toujours griller le côté avec la peau en dernier.
  - Il est préférable de consommer les fruits de mer immédiatement après leur cuisson. Laisser les fruits de mer reposer après la cuisson peut les rendre secs.
  - Frottez une fine couche d'huile sur la surface de la lèchefrite avant la cuisson pour en réduire l'adhérence, en particulier lorsque vous faites cuire du poisson ou des fruits de mer. Vous pouvez également vaporiser une légère couche d'antiadhésif sur la poêle.
- **Légumes**
  - Remuez légèrement vos légumes dans l'huile avant la cuisson pour améliorer le brunissement.

**Fonction Air Fry**

Cette fonction augmente automatiquement la température saisie de 50 °F pour obtenir des résultats optimaux lorsque vous utilisez la fonction Air Fry.

La fonction Air Fry est spécialement conçue pour la friture sans huile.

**Réglage de la fonction Air Fry**

- 1 Appuyez sur **Air Fry**.
- 2 Réglez la température du four. (Plage de températures : 300 °F ~ 550 °F)

- 3 Appuyez sur **START**.

- 4 Lorsque la cuisson est terminée, appuyez sur **CLEAR/OFF**.

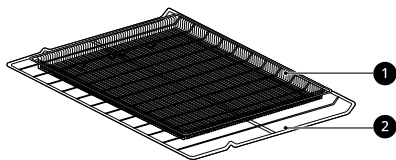
**REMARQUE**

- Lorsque vous utilisez le mode Air Fry, aucun préchauffage n'est requis.
- Lors de la cuisson de plusieurs portions, les dernières portions pourraient prendre moins de temps à cuire.
- Le mode Air Fry ne rendra pas croustillantes les pâtes à frire humides et ne les fera pas prendre.

## 42 FONCTIONNEMENT

### Conseils relatifs à la fonction Air Fry

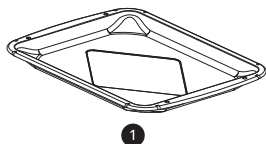
- Pour obtenir les meilleurs résultats, utilisez le plateau Air Fry fourni.
  - La section en filet de plateau de la friteuse à air chaud peut être nettoyée au lave-vaisselle.



① Plateau de la friteuse à air chaud

② Grille standard

- Si vous ne possédez pas le plateau de la friteuse à air chaud, placez les aliments sur une grille dans une lèchefrite recouverte de papier d'aluminium.



① Lèchefrite (vendue séparément)

- Pour obtenir des résultats optimaux, faites cuire les aliments sur une seule grille placée aux positions suggérées par les tableaux de ce manuel.
- Répartissez les aliments de façon uniforme, en une seule couche.
- Utilisez le plateau de la friteuse à air chaud fourni ou un plateau de cuisson foncé sans côtés ou avec des côtés courts, qui ne couvre pas toute la grille du four. Vous favoriserez ainsi une meilleure circulation de l'air.
- Si désiré, vaporisez le plateau de cuisson ou le plateau de la friteuse à air chaud d'un aérosol de cuisine. Utilisez une huile qui peut être chauffée à haute température avant d'émettre de la fumée, comme de l'huile d'avocat, de pépins de raisin, d'arachide ou de tournesol.
- Placez le plateau de cuisson tapissé de papier d'aluminium sur une grille à la position 1 pour recueillir l'huile dégouttant des aliments. Pour les aliments riches en gras tels que les ailes de poulet, ajoutez quelques feuilles de papier parchemin pour absorber le gras.
- Vérifiez souvent les aliments et secouez-les ou retournez-les pour obtenir des aliments plus croustillants.
- Les aliments préparés congelés peuvent cuire plus rapidement avec le mode Air Fry que ce qui est indiqué sur l'emballage. Réduisez le temps de cuisson d'environ 20 %, vérifiez les aliments

régulièrement et ajustez le temps de cuisson, au besoin.

- Utilisez un thermomètre de cuisson pour vous assurer que la nourriture a atteint une température sécuritaire pour la consommation. Manger de la viande qui n'est pas suffisamment cuite peut accroître vos risques de contracter des maladies d'origine alimentaire.
- Pour obtenir des aliments plus croustillants, saupoudrez les ailes ou les filets de poulet frais de farine assaisonnée. Utilisez 1/3 tasse de farine pour 2 livres de poulet.

### Recommandations pour faire frire à l'air chaud des aliments riches en gras

En mode Air Fry, les aliments riches en gras produisent de la fumée. Pour des résultats optimaux, suivez ces recommandations lorsque vous faites frire à l'air chaud des aliments riches en gras tels que des ailes de poulet, du bacon, de la saucisse, des hot dogs, des cuisses de dinde, des côtelettes d'agneau, des côtes levées, des longes de porc, des poitrines de canard ou certaines protéines végétales.

#### ⚠ MISE EN GARDE

- Ne recouvrez jamais entièrement une grille de papier d'aluminium ou d'autres matériaux, et ne couvrez pas les fentes, les trous ou les passages dans le fond du four. Un tel revêtement bloque la circulation d'air dans le four, ce qui peut entraîner un empoisonnement au monoxyde de carbone. Le papier d'aluminium peut également emprisonner la chaleur, ce qui pourrait causer un risque d'incendie ou un mauvais fonctionnement du four.
- Nettoyez régulièrement les filtres à graisse de votre hotte de ventilation.
- Allumez votre hotte de ventilation à un réglage élevé avant de commencer à utiliser la fonction Air Fry et laissez-la fonctionner pendant 15 minutes lorsque vous avez terminé.
- Si possible, ouvrez une fenêtre ou une porte de verre coulissante afin que la cuisine soit bien aérée.
- Ne laissez pas la graisse s'accumuler dans le four. Essuyez l'intérieur du four avant et après l'utilisation de la fonction Air Fry (lorsque le four est froid).
- Faites fonctionner les cycles de nettoyage du four (EasyClean ou autonettoyage) régulièrement, en fonction de la fréquence d'utilisation de la fonction Air Fry et du type d'aliments préparés.

- Évitez d'ouvrir la porte du four plus souvent que nécessaire afin de maintenir la température du four, d'empêcher la chaleur de s'échapper et d'économiser de l'énergie.
  - La friture à l'air de morceaux de poulet frais tels que des ailes ou des pilons avec la peau peut produire de la fumée, car la graisse se désagrège à haute température.
  - Placez une plaque de cuisson recouverte de papier d'aluminium sur une grille en position 1 pour récolter les gouttes. Au besoin, ajoutez du papier parchemin pour absorber l'huile et réduire la fumée.
  - Retournez les aliments pendant la cuisson afin d'éviter qu'ils brûlent.
- † Les aliments riches en matières grasses peuvent produire plus de fumée lorsqu'ils sont cuits à l'aide d'Air Fry.

## Guide sur la friture à l'air

- Répartissez les aliments de façon uniforme, en une seule couche.

Éléments recommandés	Quantité (oz)	Temp. (°F)	Position de la grille	Durée	Guide
<b>POMMES DE TERRE – Surgelées</b>					
Frites surgelées (à la française)	20	425	4	20 - 30	
Frites surgelées (coupe ondulée, 3/4 po ou 10 mm)	35	425	4	25 - 35	
Frites de patate douce surgelées	25	425	4	20 - 35	
Bouchées de pommes de terre surgelées	50	450	4	22 - 32	
Pommes de terre rissolées surgelées	40	450	4	25 - 35	
<b>POMMES DE TERRE – Fraîches/faites maison</b>					
Frites faites maison (3/4 po x 3/4 po ou 10 x 10 mm)	25	450	4	27 - 37	Coupez les pommes de terre et faites-les tremper pendant 30 minutes dans de l'eau chaude du robinet. Égouttez-les et asséchez-les en les tapotant. Badigeonnez ou vaporisez légèrement trois cuillères à soupe d'huile. Salez et poivrez au goût.
Quartiers de pommes de terre faits maison	60	450	4	30 - 40	
<b>POULET – Surgelé</b>					
Croquettes de poulet surgelées, croustillantes	30	425	4	15 - 25	
Lanières de poulet surgelées	35	425	4	30 - 40	
Ailes de poulet surgelées avec os	50	425	4	30 - 40	
<b>POULET – Frais, avec la peau</b>					

## 44 FONCTIONNEMENT

Éléments recommandés	Quantité (oz)	Temp. (°F)	Position de la grille	Durée	Guide
Ailes de poulet fraîches†	40	450	4	30 - 35	Badigeonnez ou vaporisez légèrement une cuillère à soupe d'huile. Salez et poivrez au goût.
Pilons de poulet frais†	70	450	4	35 - 45	
Cuisses	40	450	4	30 - 35	
Poitrines	40	450	4	30 - 35	
<b>AUTRE</b>					
Rondelles d'oignon surgelées, panées	20	425	4	20 - 30	
Rouleaux de printemps surgelés (0,7 oz chacun)	45	425	4	25 - 35	
Saucisses fines (2,5 oz chacune, 0,8 po de diamètre)	90	425	4	25 - 35	
Crevettes à la noix de coco surgelées	25	425	4	30 - 40	Badigeonnez ou vaporisez légèrement la surface des aliments avec de l'huile.
Pétoncles frais en demi-coquille (35,3 oz)	35	425	4	20 - 30	Faites fondre quatre cuillères à soupe de beurre et badigeonnez les pétoncles. Mélangez 1/2 tasse de chapelure, 1 cuillère à soupe d'ail haché, 1/4 tasse de parmesan râpé et assaisonnez au goût. Saupoudrez le mélange sur les pétoncles.
Crevettes fraîches	50	425	4	25 - 35	
Légumes mélangés	35	450	4	17 - 28	Badigeonnez ou vaporisez légèrement quatre cuillères à soupe d'huile d'olive. Salez et poivrez au goût.

### Remote Start (Démarrage à distance)

Cette fonction permet de démarrer le préchauffage et de maintenir la température jusqu'à 12 heures (temps de préchauffage compris). L'appareil doit être connecté à un réseau Wi-Fi domestique pour utiliser le démarrage à distance. Une fois que le démarrage à distance est sélectionné sur l'appareil, vous pouvez le démarrer ou l'arrêter à distance à l'aide de l'application pour téléphone intelligent LG ThinQ. Suivez les instructions de la section Fonctions intelligentes pour connecter l'appareil au réseau.

### Réglage du démarrage à distance

- Ouvrez la porte du four afin de vous assurer que le four est prêt pour le préchauffage. Fermez la porte du four.
- Appuyez sur **Remote Start**.
- Dans l'application pour téléphone intelligent, suivez les instructions pour régler le mode de cuisson, la température et le temps de fonctionnement (le temps de préchauffage et le temps de maintien).

## REMARQUE

- Le démarrage à distance peut ne pas être lancé si
  - L'appareil n'est pas connecté au réseau Wi-Fi ou si la mention **OFF** s'affiche à l'écran.
  - Le démarrage à distance n'a pas été configuré sur l'application du téléphone intelligent.
  - La porte du four est ouverte. Si la porte du four est ouverte, un bref signal sonore retentit.

- Après une panne de courant, l'écran se rallumera en mode Sabbath, mais le four sera éteint.
- Veuillez toujours fermer la porte du four avant d'activer le mode Sabbath.

FRANÇAIS

## Utilisation du mode Sabbath

Le mode Sabbath est habituellement utilisé lors du Sabbath juif et des jours fériés. Lorsque le mode Sabbath est activé, le four ne s'éteint pas jusqu'à ce que le mode Sabbath soit désactivé. En mode Sabbath, toutes les touches de fonction et les boutons de la surface de cuisson sont désactivés. **Sb** s'affichera à l'écran.

- 1 Appuyez sur **Bake**.
- 2 Réglez la température souhaitée à l'aide des touches **plus (+)** ou **moins (-)**.
- 3 Appuyez sur **START**.
- 4 Maintenez la touche **Clock** enfoncée pendant trois secondes. **Sb** s'affiche à l'écran lorsque le mode Sabbath est activé.

- 5 Pour annuler le mode Sabbath, maintenez la touche **Clock** enfoncée pendant 3 secondes. Pour annuler la fonction de cuisson, appuyez sur **CLEAR/OFF** à tout moment.

## REMARQUE

- Le mode Sabbath est disponible uniquement lorsque le four est en mode **Bake**.
- Si un temps de cuisson est réglé, le four s'éteint automatiquement sans émettre de signal sonore à la fin du temps de cuisson. Le four reste en mode Sabbath, mais il est éteint.
- Si aucun temps de cuisson n'est réglé, le four ne s'éteindra pas automatiquement.

# FONCTIONS INTELLIGENTES

## Application LG ThinQ

Cette fonction n'est offerte que sur les modèles dotés du Wi-Fi.

L'application **LG ThinQ** vous permet de communiquer avec l'appareil à l'aide d'un téléphone intelligent.

### Caractéristiques de l'application LG ThinQ

- **Smart Diagnosis<sup>MC</sup>**
  - Cette fonction fournit des renseignements utiles pour diagnostiquer et résoudre les problèmes avec l'appareil en se basant sur le profil d'utilisation.
- **Paramètres**
  - Cette fonction vous permet de régler diverses options du four et de l'application.
- **Surveillance**
  - Cette fonction vous permet de vérifier l'état actuel, le temps restant, les réglages de cuisson et l'heure de fin.
- **Notifications sur le produit**
  - Activez les alertes automatisées pour recevoir des notifications sur l'état de l'appareil. Les notifications sont déclenchées même si l'application **LG ThinQ** n'est pas ouverte.
- **Minuterie**
  - Vous pouvez régler la minuterie à partir de l'application.
- **Mise à jour du micrologiciel**
  - Gardez l'appareil à jour.

### REMARQUE

- Si vous changez de routeur sans fil, de fournisseur de service Internet ou de mot de passe, supprimez l'appareil connecté de l'application **LG ThinQ**, puis connectez-le de nouveau.
- Cette information est à jour au moment de la publication. L'application est sujette à des modifications à des fins d'amélioration du produit, et ce, sans que l'utilisateur en soit préalablement avisé.

## Installation de l'application LG ThinQ et connexion d'un appareil LG

### Modèles avec un code QR


À l'aide de la caméra de votre téléphone intelligent ou d'une application de lecture de code QR, balayez le code QR attaché au produit.



### Modèles sans code QR

- 1** À partir d'un téléphone intelligent, cherchez et installez l'application **LG ThinQ** dans la boutique Google Play ou l'App Store d'Apple.
- 2** Ouvrez l'application **LG ThinQ**, puis connectez-vous à votre compte, ou procédez à la création d'un compte LG pour vous connecter.
- 3** Tapez sur le bouton d'ajout (+) de l'application **LG ThinQ** pour connecter votre appareil LG. Suivez les directives pour compléter le processus.

### REMARQUE

- Pour vérifier l'état de la connexion Wi-Fi, assurez-vous que l'icône  qui se trouve sur le panneau de commande est allumée.
- L'appareil prend seulement en charge les réseaux Wi-Fi de 2,4 GHz. Pour vérifier la fréquence de votre réseau, contactez votre fournisseur de services Internet ou reportez-vous au manuel de votre routeur sans fil.
- **LG ThinQ** n'est pas responsable des problèmes de connexion au réseau ou des défauts, dysfonctionnements ou erreurs causés par la connexion au réseau.
- L'environnement sans fil peut causer un ralentissement du fonctionnement du réseau sans fil.
- S'il y a une trop grande distance entre l'appareil et le routeur sans fil, l'intensité du signal




s'affaiblit. La connexion peut prendre du temps, ou l'installation peut échouer.

- Si l'appareil a des difficultés à se connecter au réseau Wi-Fi, il est peut-être trop loin du routeur. Procurez-vous un répéteur Wi-Fi (rallonge de portée) pour améliorer la force du signal Wi-Fi.
- La connexion réseau peut ne pas fonctionner correctement selon le fournisseur de services Internet.
- La connexion Wi-Fi pourrait ne pas se faire ou être interrompue à cause de l'environnement du réseau domestique.
- Si l'appareil ne peut pas se connecter en raison de problèmes avec la transmission du signal sans fil, débranchez l'appareil et attendez environ une minute avant de réessayer.
- Si le pare-feu de votre routeur sans fil est activé, désactivez-le ou ajoutez-y une exception.
- Le nom du réseau sans fil (SSID) doit être une combinaison de lettres et de chiffres anglais. (N'utilisez pas de caractères spéciaux.)
- L'interface utilisateur (IU) du téléphone intelligent peut varier en fonction du système d'exploitation (SE) mobile et du fabricant.
- Si le protocole de sécurité du routeur est configuré sur **WEP**, la configuration du réseau peut échouer. Veuillez changer le protocole de sécurité (nous recommandons **WPA2**) et connecter le produit à nouveau.
- Pour désactiver la fonction **Wi-Fi**, maintenez la touche **Wi-Fi** enfoncée pendant 3 secondes. L'indicateur **Wi-Fi** s'éteindra.
- Pour reconnecter l'appareil ou ajouter un autre utilisateur, appuyez sur la touche **Wi-Fi** et maintenez-la enfoncée pendant trois secondes. Exécutez l'application **LG ThinQ** et suivez les directives de l'application pour connecter l'appareil.

## Installation de l'application LG ThinQ

À partir d'un téléphone intelligent, cherchez l'application **LG ThinQ** dans la boutique Google Play ou l'App Store d'Apple. Suivez les instructions pour télécharger et installer l'application.

## Connexion à un réseau wi-fi

Lorsque la touche **Wi-Fi** est utilisée avec l'application **LG ThinQ**, elle permet à l'appareil de se connecter au réseau Wi-Fi de votre domicile. L'icône  indique l'état de la connexion de

l'appareil au réseau. Lorsque l'appareil est connecté au réseau Wi-Fi, l'icône s'allume.

### • Connexion initiale de l'appareil

Exécutez l'application **LG ThinQ** et suivez les directives de l'application pour connecter l'appareil.

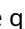
### • Reconnexion de l'appareil ou connexion d'un autre utilisateur

Appuyez sur la touche **Wi-Fi** et maintenez-la enfoncée pendant trois secondes. Exécutez l'application **LG ThinQ** et suivez les directives de l'application pour connecter l'appareil.

## Fonctionnalité LG UP

Découvrez de nouvelles fonctionnalités en mettant le produit à niveau avec l'application **LG ThinQ**.

Si une fonctionnalité peut être mise à niveau, une notification de mise à niveau s'affiche à l'écran et une mélodie retentit après la fin ou l'annulation de la cuisson.

Par exemple, les voyants de l'écran peuvent s'allumer en séquence jusqu'à ce que  s'affiche.



- 1 Les notifications de mise à niveau sont envoyées à votre téléphone intelligent lorsque des fonctionnalités peuvent être mises à niveau.
- 2 Appuyez sur la notification de mise à niveau sur votre téléphone intelligent pour accéder au **LG UPgrade Center** dans l'application **LG ThinQ**.
- 3 Dans le **LG UPgrade Center**, sélectionnez une nouvelle fonction et appuyez sur le bouton **Upgrade**.
  - Ne débranchez pas le produit pendant la mise à niveau, car cela pourrait interrompre le processus.
- 4 Une fois la mise à niveau terminée, consultez le guide de l'application **LG ThinQ** pour connaître les paramètres détaillés des fonctionnalités.

## 48 FONCTIONS INTELLIGENTES

### REMARQUE

- Cette fonctionnalité est offerte sur certains modèles seulement.
- Une fois la mise à niveau terminée, les fonctionnalités réelles du produit peuvent différer de celles décrites dans le manuel d'utilisation.

### Caractéristiques du module RF

Type	Gamme de fréquences	Puissance de sortie (max.)
Wi-Fi	2412 - 2462 MHz	< 30 dBm
Bluetooth	2402 - 2480 MHz	< 30 dBm

### Avis d'Industrie Canada

L'émetteur/récepteur exempt de licence contenu dans le présent appareil est conforme aux CNR d'Innovation, Sciences et Développement économique Canada applicables aux appareils radio exempts de licence. L'exploitation est autorisée aux deux conditions suivantes:

- (1) Cet appareil ne doit pas provoquer d'interférences.
- (2) Cet appareil doit accepter toutes les interférences, y compris celles pouvant entraîner son dysfonctionnement.

### Énoncé d'IC concernant l'exposition à la radiation

Cet appareil est conforme aux limites d'exposition aux rayonnements d'Industrie Canada pour un environnement non contrôlé.

Cet appareil doit être installé et utilisé de façon à garder une distance minimale de 20 cm (7,8 pouces) entre la source de rayonnement et votre corps.

### REMARQUE

- LE FABRICANT N'EST PAS RESPONSABLE DES INTERFÉRENCES RADIOÉLECTRIQUES CAUSÉES PAR DES MODIFICATIONS NON AUTORISÉES APPORTÉES À CET APPAREIL. DE TELLES MODIFICATIONS POURRAIENT ANNULER L'AUTORISATION ACCORDÉE À L'UTILISATEUR DE FAIRE FONCTIONNER L'APPAREIL.

### Renseignements sur l'avis de logiciel libre

Pour obtenir le code source conformément aux dispositions de la licence publique générale, de la licence publique générale limitée, de la licence publique Mozilla et de toute autre licence régissant les logiciels à code source libre contenus dans ce produit et exigeant la divulgation du code source, visitez le site <https://opensource.lge.com>. En plus du code source, toutes les dispositions de licence, les avis de droits d'auteurs et autres documents pertinents peuvent aussi être consultés.

LG Electronics mettra également à votre disposition le code source libre sur CD-ROM pour un prix couvrant le coût de la distribution (coût du support, de l'expédition et de la manutention) sur simple demande par courriel à l'adresse [opensource@lge.com](mailto:opensource@lge.com).

Cette offre est valable pour une période de trois ans après notre dernière expédition de ce produit et s'applique à toute personne ayant reçu ces renseignements.

### Fonctionnalité Smart Diagnosis<sup>MC</sup>

Utilisez cette fonctionnalité pour vous aider à diagnostiquer et à résoudre les problèmes qu'éprouve votre appareil.

### REMARQUE

- Pour des raisons ne relevant pas du contrôle de LGE, le service pourrait ne pas fonctionner en raison de facteurs externes, notamment la disponibilité du Wi-Fi, la connexion Wi-Fi, la politique de la boutique d'applications ou la disponibilité de l'application.
- La fonctionnalité pourrait être modifiée sans préavis et pourrait avoir une apparence différente selon votre emplacement.

### Utilisation de l'application LG ThinQ pour diagnostiquer les problèmes

Si vous éprouvez des problèmes avec votre appareil doté du Wi-Fi, vous pouvez transmettre des données de dépannage par téléphone intelligent à l'aide de l'application **LG ThinQ**.

- Lancez l'application **LG ThinQ** et sélectionnez la fonctionnalité **Smart Diagnosis** qui se trouve dans le menu. Suivez les instructions indiquées dans l'application **LG ThinQ**.

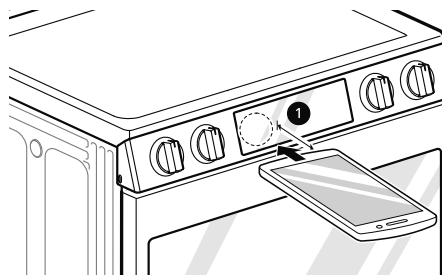
## Utilisation de la fonctionnalité de diagnostic sonore pour diagnostiquer les problèmes

Suivez les instructions ci-dessous pour utiliser la fonctionnalité de diagnostic sonore.

- Lancez l'application **LG ThinQ** et sélectionnez la fonctionnalité **Smart Diagnosis** qui se trouve dans le menu. Suivez les instructions relatives au diagnostic sonore indiquées dans l'application **LG ThinQ**.

- 1** Appuyez sur la touche **START** pendant 3 secondes.
  - Si l'affichage a été verrouillé, vous devez désactiver le verrouillage, puis le réactiver.

- 2** Tenez le microphone de votre téléphone devant le panneau de commande, comme indiqué ci-dessous.



① Max. : 3/8 po (10 mm)

- 3** Maintenez le téléphone dans cette position jusqu'à ce que la transmission de la tonalité soit terminée. Un compte à rebours s'affichera à l'écran. Lorsque le décompte est terminé et que vous n'entendez plus les tonalités, le diagnostic s'affichera dans l'application.

### REMARQUE

- Pour obtenir les meilleurs résultats, évitez de bouger le téléphone pendant la transmission sonore.

# ENTRETIEN

## Nettoyage

### ⚠ MISE EN GARDE

- Ne nettoyez pas cet appareil avec de l'eau de Javel.
- Pour prévenir les brûlures, attendez que la surface de cuisson ait refroidi avant de toucher l'une de ses parties.
- Portez toujours des gants lorsque vous nettoyez la surface de cuisson.

### Intérieur

N'utilisez pas de nettoyants pour four pour nettoyer la cavité du four. Utilisez régulièrement la fonction **EasyClean** de l'appareil pour nettoyer la saleté légère. Pour la saleté tenace, utilisez la fonction **Self Clean** (sur certains modèles) ou nettoyez l'appareil manuellement en suivant les conseils suivants.

- Vous pouvez utiliser une spatule en plastique comme grattoir pour enlever les morceaux ou les résidus avant et pendant le nettoyage du four.
- L'utilisation du côté rugueux d'un tampon à récurer qui ne provoque pas de rayures peut aider à enlever les taches incrustées mieux qu'une éponge ou une serviette.
- Certaines éponges à récurer qui ne provoquent pas de rayures, comme celles fabriquées en mousse de mélamine (en vente dans les supermarchés locaux) peuvent également améliorer le nettoyage.

### ⚠ MISE EN GARDE

- N'utilisez pas de nettoyants pour four, de nettoyants chimiques puissants, d'eau de Javel, de vinaigre, de tampons à récurer en acier ou de tampons ou nettoyants abrasifs pour nettoyer le four, car ils peuvent endommager la surface du four de façon permanente.
- Ne nettoyez pas le joint antidérapant.

### Extérieur

#### Panneau de commande

Pour éviter d'activer le panneau de commande pendant le nettoyage, débranchez l'alimentation électrique de l'appareil. Nettoyez les

éclaboussures avec un chiffon humide et un nettoyant à vitres. Nettoyez les parties plus souillées avec de l'eau chaude savonneuse. N'utilisez aucun produit abrasif.

#### Boutons et panneau du collecteur avant

Il est recommandé de nettoyer le panneau du collecteur après chaque utilisation de la cuisinière. Pour le nettoyage, utilisez un chiffon humide et de l'eau savonneuse tiède ou une solution composée d'une part de vinaigre pour une part d'eau (50/50). Rincez le panneau avec de l'eau claire et asséchez-le à l'aide d'un chiffon doux.

### ⚠ MISE EN GARDE

- N'utilisez pas de produits nettoyants abrasifs, de nettoyants liquides forts, de laines d'acier ou de produits nettoyants pour fours sur le panneau du collecteur. Cela pourrait endommager la finition.
- Évitez de déformer les boutons en les tirant vers le haut ou vers le bas, et ne les utilisez pas pour suspendre des serviettes ou d'autres objets. Cela pourrait endommager la tige du robinet de gaz.
- Il est possible de retirer les boutons de contrôle pour en faciliter le nettoyage.
- Pour nettoyer les boutons, assurez-vous qu'ils sont réglés à la position **OFF** et retirez-les des tiges en tirant simplement.
- Pour replacer les boutons, assurez-vous que la position **OFF** du bouton est centrée au haut, et insérez le bouton directement sur la tige.

### REMARQUE

- Pour prévenir les rayures, n'utilisez pas de nettoyants abrasifs sur ces pièces.

#### Motifs peints et garniture décorative

Pour un nettoyage général, utilisez un chiffon avec de l'eau chaude savonneuse. Pour la saleté plus difficile à nettoyer et les résidus de graisses accumulés, appliquez un détergent liquide directement sur la saleté. Laissez le produit agir de 30 à 60 minutes. Rincez la surface avec un chiffon humide puis séchez-la. N'utilisez pas de produits à nettoyer abrasifs.

## Surfaces en acier inoxydable

Pour éviter les rayures, n'utilisez pas de tampons en laine d'acier.

- 1 Placez une petite quantité de produit de nettoyage ou de polissage pour appareils électroménagers en acier inoxydable sur un chiffon ou un essuie-tout humide.
- 2 Nettoyez une petite surface de la cuisinière, en frottant avec le grain de l'acier inoxydable le cas échéant.
- 3 Séchez et polissez la surface à l'aide d'un essuie-tout propre et sec ou un chiffon doux.
- 4 Répétez l'opération si nécessaire.

### REMARQUE

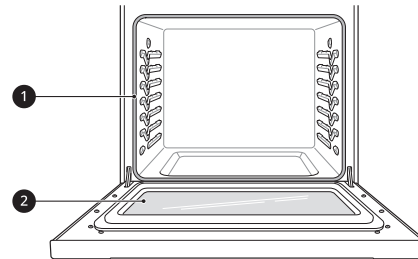
- Pour nettoyer les surfaces en acier inoxydable, utilisez de l'eau tiède savonneuse ou encore du détergent ou un produit à polir pour l'acier inoxydable.
- Essuyez toujours une surface métallique dans le sens des fibres de la finition.
- Les produits de nettoyage ou de polissage pour appareils électroménagers en acier inoxydable peuvent être achetés en ligne ou chez la plupart des détaillants d'appareils électroménagers ou d'articles ménagers.

## Porte du four

### ⚠ MISE EN GARDE

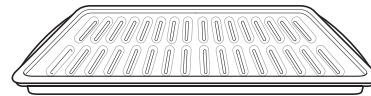
- N'utilisez pas de nettoyants agressifs ou de produits de nettoyage abrasifs sur l'extérieur de la porte du four. L'utilisation de tels produits pourrait causer des dommages.
- Utilisez de l'eau savonneuse pour bien nettoyer la porte du four. Rincez-la bien. N'immergez pas la porte dans l'eau.
- Vous pouvez utiliser un nettoyant pour vitres sur la vitre extérieure de la porte du four. Ne vaporisez pas d'eau ou de nettoyant pour vitres directement sur les événements de la porte.
- N'utilisez pas de nettoyants à four, de poudres de nettoyage ou de produits de nettoyage abrasifs et agressifs sur la surface extérieure de la porte du four.

- Ne nettoyez pas le joint d'étanchéité de la porte du four. Le joint d'étanchéité de la porte du four est fait d'un matériau tissé qui est essentiel pour assurer une bonne étanchéité. Il faut s'assurer de ne pas frotter, endommager ou enlever le joint d'étanchéité.



- 1 Ne nettoyez pas le joint d'étanchéité de la porte du four à la main.
- 2 Vous pouvez nettoyer la porte du four à la main.

## Lèche-frite et gril



- Ne rangez pas une lèche-frite ou un gril souillé dans la cuisinière.
- Ne nettoyez pas la lèche-frite ou le gril en mode d'autonettoyage (sur certains modèles).
- Enlevez le gril de la lèche-frite. Versez soigneusement dans un contenant approprié la graisse qui se trouve dans la lèche-frite.
- Lavez et rincez la lèche-frite et le gril à l'eau chaude à l'aide d'un tampon à récurer imbibé de savon ou en plastique.
- Si des aliments ont brûlé, saupoudrez le gril de nettoyant alors qu'il est chaud et couvrez-le avec des essuie-tout en papier humides ou un torchon. Faire tremper la lèche-frite permet d'enlever les aliments brûlés.
- La lèche-frite et le gril peuvent être nettoyés avec un nettoyant à four commercial ou dans le lave-vaisselle.

## Grilles du four

Enlevez les grilles du four avant d'utiliser le cycle d'autonettoyage (sur certains modèles) et la fonction EasyClean.

## 52 ENTRETIEN

- 1 Nettoyez les grilles avec un produit faiblement abrasif.
  - Les aliments renversés dans les glissières des grilles pourraient les coincer.
- 2 Rincez à l'eau claire et faites sécher.

### REMARQUE

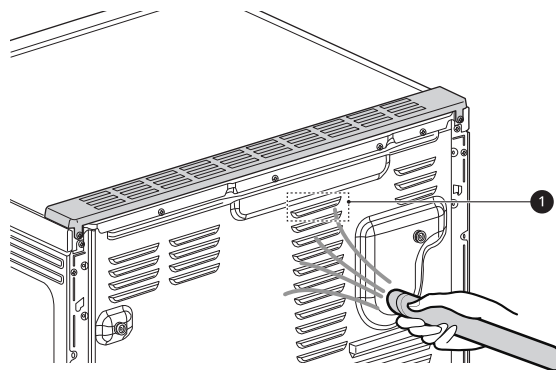
- Pour les modèles dotés de la fonction d'autonettoyage :
  - Si les grilles sont nettoyées pendant le cycle d'autonettoyage (non recommandé), la couleur virera légèrement au bleu et la finition deviendra terne. Une fois le cycle d'autonettoyage terminé et le four refroidi, frottez les côtés des grilles avec du papier ciré ou un chiffon imbibé d'une petite quantité d'huile. Cela aidera les grilles à glisser plus facilement dans les glissières.

### Fentes d'aération

- L'aspect de la cuisinière peut différer d'un modèle à l'autre.

Utilisez un aspirateur muni d'un embout plat court ou d'une brosse pour nettoyer les fentes d'aération

1. Ne retirez pas le panneau qui couvre la cuisinière.



## Surface de cuisson

### Surface de cuisson en vitrocéramique

#### ⚠ AVERTISSEMENT

- Pour éviter de vous brûler les mains, utilisez toujours des gants de cuisine ou des poignées si vous grattez la surface de cuisson avec un grattoir alors qu'elle est encore chaude.

#### ⚠ MISE EN GARDE

- Si du sucre ou un aliment contenant du sucre se renverse, ou si du plastique ou du papier d'aluminium se met à fondre sur la surface de cuisson, nettoyez-le IMMÉDIATEMENT à l'aide d'un grattoir à lame de rasoir en métal pendant que la surface de cuisson est encore chaude afin d'éviter d'endommager la surface de cuisson en vitrocéramique. Un grattoir, s'il est correctement utilisé, n'endommagera pas la surface de cuisson.
- Si de l'eau ou un aliment contenant de l'eau se renverse, nettoyez-le IMMÉDIATEMENT à l'aide d'un essuie-tout sec.
- N'utilisez pas de tampons à récurer ou de chiffons de nettoyage abrasifs. Ils pourraient endommager la surface de cuisson.

Utilisez uniquement un nettoyeur pour surface de cuisson en céramique sur la surface de cuisson vitrée. Certains types de nettoyeur sont moins efficaces ou peuvent rayer, endommager ou tacher la surface de cuisson.

Pour entretenir et protéger la surface de cuisson vitrée, suivez ces étapes :

- 1 Avant d'utiliser la surface de cuisson pour la première fois, nettoyez-la avec un nettoyeur pour surface de cuisson en céramique. Ceci permet de protéger la surface et de faciliter le nettoyage.
- 2 Pour conserver l'aspect neuf de la surface de cuisson, utilisez un nettoyeur pour surface de cuisson en céramique tous les jours.

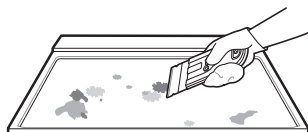
- 3 Secouez bien le nettoyant. Appliquez-en quelques gouttes directement sur la surface de cuisson.
- 4 Utilisez un essuie-tout pour nettoyer toute la surface de cuisson.
- 5 Rincez la surface de cuisson à l'eau claire et utilisez un chiffon sec ou un essuie-tout pour enlever tous les résidus de nettoyage.

#### REMARQUE

- Les dommages ou les défaillances du produit attribuables aux situations décrites ci-dessous pourraient ne pas être couverts par la GARANTIE LIMITÉE.
  - Les déversements de sucre (conserves de fruits, ketchup, sauce tomate, gelées, fondant au chocolat, bonbons, sirops, chocolat, etc.) ou les objets en plastique fondus peuvent corroder la surface de cuisson.
  - Si un aliment ou de l'eau contenant du calcium (poudre à pâte, vin, lait, épinards, brocoli, etc.) se renverse sur la surface de cuisson, celle-ci pourrait être tachée ou décolorée de façon permanente.

#### Résidus d'aliments brûlés

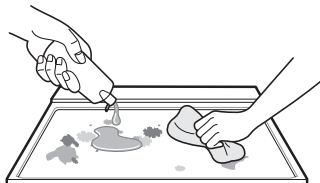
- 1 Pendant que la surface de cuisson est encore chaude, enlevez les résidus d'aliments brûlés ou renversés de la surface de cuisson en vitrocéramique avec un grattoir à lame de rasoir en métal approprié.



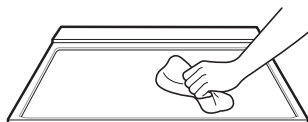
#### REMARQUE

- N'utilisez pas de lame émoussée ou craquelée.
- Tenez le grattoir à un angle d'environ 30° par rapport à la surface de cuisson.
- Le grattoir à lame de rasoir n'endommagera pas les marquages sur la surface de cuisson.

- 2 Lorsque la surface de cuisson est complètement refroidie, appliquez quelques gouttes de la taille d'un dix sous d'un produit nettoyant approuvé pour les surfaces en vitrocéramique sur chaque zone du brûleur. Étalez le nettoyant sur la surface de cuisson à l'aide d'un essuie-tout humide. Laissez le nettoyant agir pendant 10 minutes avant de rincer.



- 3 Rincez la surface de cuisson à l'eau claire et essuyez-la avec un essuie-tout propre et sec.









## 54 ENTRETIEN

### Entretien de la surface de cuisson

#### ⚠ MISE EN GARDE

- N'utilisez pas de javellisant au chlore, d'ammoniaque ou d'autres produits nettoyants non expressément recommandés pour une utilisation sur les surfaces de cuisson en vitrocéramique.
- Laissez la surface de cuisson en vitrocéramique refroidir avant de la nettoyer.

	Essuyez la surface de cuisson à l'aide d'un linge humide et d'un détergent doux.	Utilisez un grattoir en métal.	Appliquez le nettoyant pour surface de cuisson. Frottez la surface de cuisson avec un chiffon.	Rincez à l'aide d'un chiffon humide, puis séchez.
Régulier (recommandé après chaque utilisation)		-	-	-
Occasionnel (recommandé chaque semaine)	-	-		
En profondeur (recommandé pour les taches tenaces et les résidus d'aliments brûlés)	-			

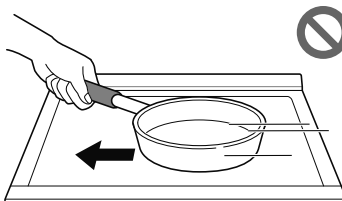
#### REMARQUE

- Pour en savoir plus sur le produit, visitez notre site Web au [www.lg.com](http://www.lg.com).

### Traces métalliques et rayures

#### ⚠ MISE EN GARDE

- Utilisez toujours des accessoires de cuisson de qualité supérieure et de calibre supérieur sur les éléments de cuisson et ne les faites pas glisser sur la surface de la surface de cuisson en céramique. Même les accessoires de cuisson de haute qualité peuvent rayer la surface de cuisson.



- Tout accessoire de cuisson dont le fond est rugueux ou sale peut marquer et rayer la surface de cuisson. Commencez toujours par utiliser des accessoires de cuisson propres.
- N'utilisez pas d'accessoires de cuisson s'il y a des corps étrangers sur la surface de cuisson. Nettoyez toujours la surface de cuisson avant de cuisiner.



**REMARQUE**

- Les dommages ou les défaillances du produit attribuables aux situations décrites ci-dessous pourraient ne pas être couverts par la GARANTIE LIMITÉE.
  - Veillez à ne pas faire glisser les casseroles et poêlons sur la surface de cuisson. Cela laissera des traces métalliques sur la surface de cuisson. Pour faciliter le nettoyage de ces traces métalliques, utilisez un produit de nettoyage pour surface de cuisson en céramique et appliquez-le avec un chiffon de nettoyage pour surface de cuisson en céramique.
  - Le mince revêtement en aluminium ou en cuivre d'un chaudron dans lequel le contenu s'est évaporé à sec peut laisser des marques de décoloration noires sur la surface de cuisson. Cette décoloration doit être enlevée immédiatement avant de faire de nouveau fonctionner la surface de cuisson, sans quoi elle pourrait demeurer permanente.

**Fonction EasyClean**

La technologie de finition en émail EasyClean de LG propose deux options de nettoyage pour l'intérieur de la cuisinière. La fonction EasyClean tire parti de la nouvelle finition en émail de LG pour aider à enlever la saleté sans produits chimiques agressifs, et elle utilise SEULEMENT DE L'EAU pendant 10 minutes à des températures basses pour aider à déloger la saleté LÉGÈRE avant le nettoyage à la main.

Alors que la fonction EasyClean est rapide et efficace pour la saleté LÉGÈRE, la fonction d'autonettoyage peut être utilisée pour les saletés TENACES et incrustées. De la fumée peut se dégager en raison de l'intensité et de la chaleur élevée du cycle d'autonettoyage. Assurez-vous d'ouvrir les fenêtres pour bien aérer la pièce. Par rapport au procédé d'autonettoyage plus intense, votre four LG peut être nettoyé en utilisant MOINS DE CHALEUR, en prenant MOINS DE TEMPS et en ne dégageant pratiquement AUCUNE FUMÉE. Vous pouvez réduire la consommation d'énergie en nettoyant la saleté légère du four grâce à la fonction EasyClean plutôt que la fonction d'autonettoyage.

Pour les saletés tenaces et incrustées, vous disposez tout de même de l'option d'autonettoyage pour un nettoyage du four plus long et plus en profondeur.

- Il est préférable d'utiliser le cycle d'autonettoyage pour le nettoyage des endroits difficiles d'accès, comme l'arrière du four.

**Avantages de la fonction EasyClean**

- Aide à déloger la saleté légère avant le nettoyage à la main.
- La fonction EasyClean n'utilise que de l'eau et pas de nettoyants chimiques.

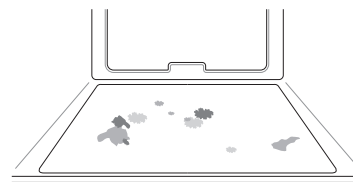
- Offre une meilleure expérience d'autonettoyage.
  - Retarde la nécessité d'utiliser le cycle d'autonettoyage.
  - Réduit la quantité de fumée dégagée et les odeurs.
  - Permet un cycle d'autonettoyage plus court.

**REMARQUE**

- Pour les modèles sans option d'autonettoyage
  - La fonction EasyClean pourrait ne pas suffire à nettoyer les saletés tenaces et incrustées. Puisque votre cuisinière n'est pas dotée d'une option d'autonettoyage, nettoyez-la régulièrement en utilisant la fonction EasyClean afin d'empêcher l'accumulation de saletés tenaces et incrustées sur les parois du four.

**Quand utiliser la fonction EasyClean**

- Exemple de saleté dans le four

**Cas 1**

- Répartition de la saleté : petites gouttes ou taches
- Type de saleté : fromage ou autres ingrédients
- Aliments courants qui peuvent salir votre four : pizza

**Cas 2**

- Répartition de la saleté : légères éclaboussures

## 56 ENTRETIEN

- Type de saleté : gras et matières grasses
- Aliments courants qui peuvent salir votre four : steak, poisson grillé, viande grillée ou rôtie à basse température

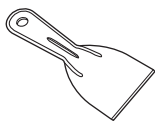
### Guide d'instruction de la fonction EasyClean

#### REMARQUE

- Avant d'utiliser le cycle EasyClean, laissez le four refroidir à la température ambiante. Le message Hot (chaud) s'affiche et le cycle EasyClean ne démarre pas tant que la température de la cavité du four est supérieure à 150 °F (65 °C).
- La cuisinière doit être au niveau pour garantir que le fond du four est entièrement recouvert d'eau au début du cycle EasyClean.
- Pour obtenir de meilleurs résultats, utilisez de l'eau distillée ou filtrée. L'eau du robinet pourrait laisser des dépôts minéraux au fond du four.
- Le cycle EasyClean aura plus de difficulté à nettoyer la saleté recuite après plusieurs cycles de cuisson.
- N'ouvrez pas la porte du four pendant que le cycle EasyClean est en marche, sans quoi l'eau ne deviendra pas assez chaude.

**1** Enlevez les grilles et les accessoires du four.

**2** Nettoyez et jetez les débris brûlés en les grattant à l'aide d'un grattoir en plastique.

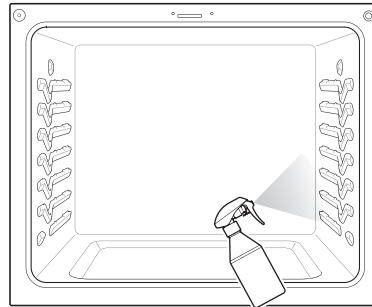


- Suggestions de grattoirs en plastique :
  - Spatule en plastique rigide
  - Raclor en plastique
  - Grattoir à peinture en plastique
  - Vieille carte de crédit

**3** Remplissez d'eau un flacon pulvérisateur (10 oz ou 300 ml), puis pulvérisez abondamment toutes les surfaces intérieures du four.

**4** Utilisez au moins 1/5 (2 oz ou 60 ml) de l'eau du vaporisateur pour saturer complètement

la saleté sur les parois latérales et dans les coins du four.



**5** Vaporisez ou versez l'eau restante (8 oz or 240 ml) dans le centre inférieur de la cavité du four. Les renforcements de la partie inférieure du four doivent être entièrement recouverts afin d'immerger toute la saleté. Ajoutez de l'eau au besoin.

#### REMARQUE

- Si vous nettoyez plusieurs fours, utilisez une bouteille d'eau entière pour nettoyer chaque four. Ne vaporisez pas d'eau directement sur la porte, sans quoi de l'eau coulera sur le plancher.

**6** Fermez la porte du four. Appuyez sur **EasyClean**. Appuyez sur **START**.

#### ⚠ MISE EN GARDE

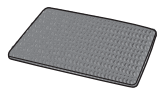
- Certaines surfaces peuvent être chaudes une fois le cycle EasyClean terminé. Lors du nettoyage, portez des gants de caoutchouc pour éviter les brûlures.
- Pendant le cycle EasyClean, le four devient assez chaud pour causer des brûlures. Attendez que le cycle soit terminé avant d'essuyer la surface intérieure du four. Le non-respect de cette consigne pourrait causer des brûlures.
- Évitez de vous appuyer sur la porte vitrée du four durant le nettoyage de la cavité du four.

**7** Une tonalité se fera entendre à la fin du cycle de 10 minutes. Appuyez sur **CLEAR/OFF** pour effacer l'affichage et mettre fin à la tonalité.

**8** Après le cycle de nettoyage et pendant le nettoyage à la main, il doit rester suffisamment d'eau au fond du four pour que

toutes les saletés soient complètement immergées. Ajoutez de l'eau au besoin. Placez une serviette sur le sol devant le four pour éponger l'eau qui pourrait s'écouler lors du nettoyage à la main.

- 9** Nettoyez la cavité du four immédiatement après la fin du cycle EasyClean en frottant avec une éponge ou un tampon à récurer humide et anti-rayures (le côté récurant ne raye pas la finition). Une partie de l'eau peut se déverser dans les événements du fond pendant le nettoyage, mais elle s'écoulera dans une casserole sous la cavité du four et n'endommagera pas le brûleur.



#### REMARQUE

- N'utilisez pas de tampons à récurer en acier, de tampons abrasifs ou de produits nettoyants, car ils peuvent endommager la surface du four de façon permanente.

- 10** Une fois la cavité du four nettoyée, essuyez l'excès d'eau avec une serviette propre et sèche. Remettez en place les grilles et tout autre accessoire.

- 11** S'il reste de la saleté légère, répétez les étapes ci-dessus en vous assurant de bien imbiber les zones souillées.
- Pour les modèles avec fonction d'autonettoyage
    - S'il reste de la saleté tenace après plusieurs cycles EasyClean, lancez le cycle d'autonettoyage. Assurez-vous qu'il n'y a aucune grille ni aucun autre accessoire dans la cavité du four, et que la surface de la cavité du four est sèche avant de lancer le cycle d'autonettoyage. Pour plus de détails, consultez la section « Autonettoyage » de votre manuel d'utilisation. Si l'option d'autonettoyage n'est pas disponible, grattez et nettoyez les saletés tenaces à l'aide d'un grattoir.

#### REMARQUE

- Si vous avez oublié de saturer l'intérieur du four avec de l'eau avant de démarrer le cycle

EasyClean, appuyez sur **CLEAR/OFF** afin de l'arrêter. Attendez que la cuisinière revienne à la température ambiante, vaporisez ou versez de l'eau dans le four, puis démarrez un autre cycle EasyClean.

- Le joint d'étanchéité de la cavité peut être mouillé à la fin du cycle EasyClean. Ceci est normal. Ne nettoyez pas le joint d'étanchéité.
- Si des dépôts minéraux restent au fond du four après le nettoyage, utilisez une éponge ou un chiffon imbibé de vinaigre pour les nettoyer.
- Il est normal que le ventilateur soit en marche lorsque la fonction EasyClean est activée.
- Pour nettoyer le four, il n'est pas recommandé d'utiliser des nettoyants pour four commerciaux ou de l'eau de javel. Utilisez plutôt un nettoyant liquide doux dont le pH est inférieur à 12,7 pour éviter de décolorer l'émail.

### Autonettoyage

Le cycle d'autonettoyage utilise des températures extrêmement chaudes pour nettoyer la cavité du four. Lorsque le cycle d'autonettoyage est en marche, vous pourriez remarquer que de la fumée se dégage du four ou sentir des odeurs. Ceci est normal, surtout si le four est très sale. Durant le cycle d'autonettoyage, la cuisine doit donc être bien aérée pour minimiser les odeurs.

### Avant de lancer le cycle d'autonettoyage

- Ne nettoyez que les pièces indiquées dans le manuel. Enlevez les grilles du four, la lèchefrite, la grille du grilloir, tous les accessoires de cuisson, le papier d'aluminium ou tout autre accessoire du four.
  - Si les grilles du four sont laissées dans la cavité du four durant le cycle d'autonettoyage, elles vont se décolorer et seront plus difficiles à enlever et à replacer.
- La cuisine doit être bien aérée pour minimiser les odeurs liées au nettoyage. Ouvrez une fenêtre ou mettez en marche un ventilateur ou une hotte avant de lancer le cycle d'autonettoyage.
- Essuyez tout déversement important qu'il y aurait dans le fond du four.
- Assurez-vous que le couvercle de la lampe du four est en place et que la lampe du four est éteinte.
- Nettoyez le cadre du four et la porte avec de l'eau chaude savonneuse. Rincez bien.

## 58 ENTRETIEN

### AVERTISSEMENT

- Si le four est fortement encrassé par de l'huile, il faut le nettoyer avant de l'utiliser à nouveau. L'huile pourrait causer un incendie.
- Si un incendie se déclare dans le four pendant le cycle d'autonettoyage, éteignez le four et attendez que le feu s'éteigne. N'essayez pas d'ouvrir la porte. De l'air frais s'engouffrant dans le four alors qu'il est à des températures d'autonettoyage peut causer un embrasement dans le four. Le non-respect de cette consigne peut causer des brûlures graves.

### MISE EN GARDE

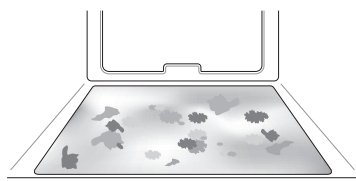
- N'utilisez pas de nettoyeurs à four. Il n'est pas recommandé d'utiliser un nettoyant commercial à four, un protège-four ou tout autre produit de ce type lorsque vous nettoyez le four.
- Le four affiche un code d'erreur F et émet trois longs bips pendant le processus d'autonettoyage en cas de dysfonctionnement du mode d'autonettoyage. Coupez l'alimentation électrique du fusible ou du disjoncteur principal et faites réparer le four par un technicien qualifié.
- En cas de dysfonctionnement du mode d'autonettoyage, éteignez la cuisinière et débranchez l'alimentation électrique. Faites-le inspecter par un technicien qualifié.
- Il est normal que certaines parties du four deviennent chaudes pendant le cycle d'autonettoyage. Évitez de toucher la surface de cuisson, la porte, la vitre ou la zone de ventilation du four pendant un cycle d'autonettoyage.
- Ne laissez pas les jeunes enfants sans surveillance à proximité de l'appareil. Durant le cycle d'autonettoyage, l'extérieur de la cuisinière peut devenir très chaud.
- Si vous avez des oiseaux de compagnie, déplacez-les dans une autre pièce bien aérée. La santé de certains oiseaux peut être affectée par les émanations émises pendant l'autonettoyage d'une cuisinière.
- Ne couvrez pas les parois du four, les grilles, le fond ou toute autre partie de la cuisinière avec du papier d'aluminium ou tout autre matériau. Ceci perturbera la distribution de chaleur, produira de mauvais résultats de cuisson et causera des dommages permanents à l'intérieur du four (le papier d'aluminium fondra dans le four).

### REMARQUE

- La lampe du four ne peut pas être allumée pendant le cycle d'autonettoyage. La lampe du four ne doit pas être allumée tant que la température n'est pas inférieure à 260 °C (500 °F) après le cycle d'autonettoyage.
- Durant le cycle d'autonettoyage, les éléments de la surface de cuisson et les tiroirs chauffe-plats ne peuvent pas être utilisés.
- Nettoyez le cadre du four et la porte avec de l'eau chaude savonneuse. Rincez bien.
- Ne nettoyez pas le joint d'étanchéité. Le matériau de fibre de verre sur le joint d'étanchéité de la porte ne résiste pas à l'abrasion. Il est essentiel que le joint d'étanchéité demeure intact. Si vous remarquez qu'il devient usé ou effiloché, remplacez-le.
- Il est normal que le ventilateur fonctionne pendant le cycle d'autonettoyage.
- Au fur et à mesure que le four chauffe, vous pourriez entendre des bruits de pièces métalliques qui s'étirent et se contractent. Ceci est normal et n'endommagera pas votre four.
- Vous pourriez voir des cendres de couleur blanche dans le four. Essuyez-les avec un chiffon humide ou une laine d'acier imbibée de savon une fois que le four a refroidi. Si le four n'est pas propre après un cycle d'autonettoyage, faites un nouveau cycle.
- Si les grilles ont été laissées dans le four et ne glissent pas facilement après un cycle d'autonettoyage, enduisez le bord des grilles et leurs supports d'un mince film d'huile végétale.
- Après un cycle d'autonettoyage, des lignes fines pourraient apparaître dans la porcelaine, puisque celle-ci est passée par un cycle de chaleur et de refroidissement. Ceci est normal et n'affectera pas la performance de votre four.
- Le cycle d'autonettoyage ne peut pas démarrer si la fonction de verrouillage des commandes / verrouillage est activée.
- Une fois le four éteint, le ventilateur à convection continue de fonctionner jusqu'au refroidissement du four.

## Quand utiliser le cycle d'autonettoyage

- Exemple de saleté dans le four



### Cas 1

- Répartition de la saleté : éclaboussures moyennes ou grosses éclaboussures
- Type de saleté : gras et matières grasses
- Aliments courants qui peuvent salir votre four : viande rôtie à haute température

### Cas 2

- Répartition de la saleté : gouttes ou taches
- Type de saleté : saleté causée par des aliments sucrés ou de la garniture
- Aliments courants qui peuvent salir votre four : tartes

### Cas 3

- Répartition de la saleté : gouttes ou taches
- Type de saleté : crème ou sauce tomate
- Aliments courants qui peuvent salir votre four : plats mijotés

### REMARQUE

- Le cycle d'autonettoyage peut être utilisé pour nettoyer la saleté qui s'accumule depuis longtemps.


## Réglage de la fonction d'autonettoyage

La fonction d'autonettoyage offre des temps de cycle de trois, quatre ou cinq heures.

### Guide des réglages d'autonettoyage

Cavité du four Degré de saleté	Touche numérique Bouton	Cycle Durée
Légèrement sale	1	3 h

Cavité du four Degré de saleté	Touche numérique Bouton	Cycle Durée
Moyennement sale	2	4 h
Très sale	3	5 h

- Retirez toutes les grilles et tous les accessoires du four.
- Appuyez sur **Self Clean**. Le four est réglé par défaut au cycle d'autonettoyage de quatre heures, qui est recommandé pour un four moyennement sale. Appuyez sur les **plus (+)** ou **moins (-)** afin de sélectionner une durée d'autonettoyage de 3 à 5 heures.
- Appuyez sur **START**.
- Une fois le cycle d'autonettoyage réglé, la porte du four se verrouille automatiquement, et l'icône de cadenas  s'affiche. Vous ne pourrez pas ouvrir la porte du four jusqu'à ce que le four ait refroidi. Le verrou se débloque automatiquement une fois le four refroidi.

### ⚠ MISE EN GARDE

- N'usez pas de force pour tenter d'ouvrir la porte du four lorsque l'icône de cadenas est affichée. La porte du four restera verrouillée jusqu'à ce que la température du four ait refroidi. User de force pour ouvrir la porte pourrait l'endommager.
- Soyez prudent lorsque vous ouvrez la porte du four après le cycle d'autonettoyage. Tenez-vous sur le côté du four lorsque vous ouvrez la porte pour laisser l'air chaud ou la vapeur s'échapper. Le four pourrait être encore TRÈS CHAUD.

### REMARQUE

- Il pourrait être nécessaire d'annuler ou d'interrompre le cycle d'autonettoyage en raison d'une fumée excessive ou d'un feu qui se déclare dans le four. Pour annuler la fonction d'autonettoyage, appuyez sur **CLEAR/OFF**.

## 60 ENTRETIEN

### Retrait et assemblage des portes amovibles du four

#### Directives d'entretien de la porte

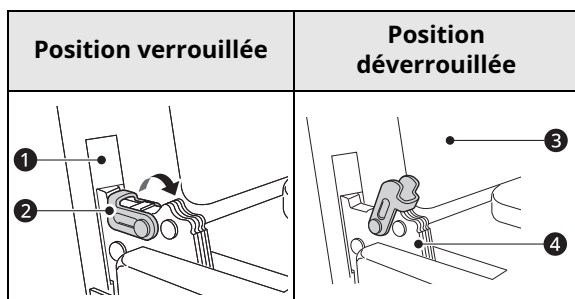
La plupart des portes de four contiennent du verre qui peut se briser.

#### ⚠ MISE EN GARDE

- Ne fermez pas la porte du four avant que toutes les grilles du four soient bien en place.
- Évitez de cogner des casseroles, des poêles ou tout autre objet sur le verre.
- Gratter, cogner, secouer ou presser le verre peut l'affaiblir, ce qui augmente le risque qu'il se brise ultérieurement.

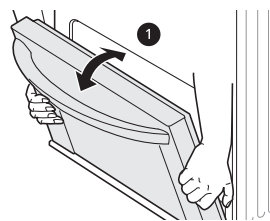
#### Retrait des portes

- 1 Ouvrez entièrement la porte.
- 2 Soulevez le verrou de charnière ❷ et faites-le basculer complètement vers le bras de charnière ❹.



- ❶ Fente
- ❷ Verrou de charnière
- ❸ Cadre du four
- ❹ Bras de charnière

- 3 Saisissez fermement les deux côtés de la porte par le haut.
- 4 Fermez partiellement la porte à environ 5 degrés ❶. Si la position est correcte, les bras de charnière bougeront librement.

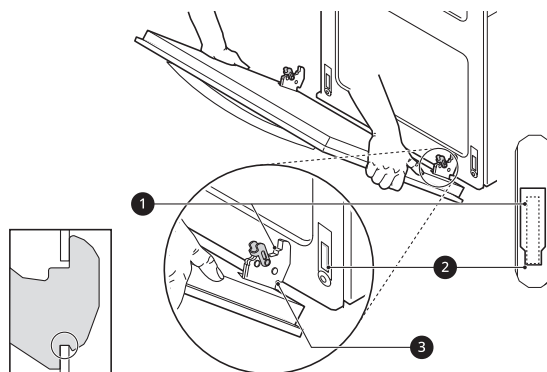


- ❶ Environ 5°

- 5 Soulevez et tirez la porte vers vous jusqu'à ce que les loquets des charnières soient complètement desserrés.

#### Assemblage des portes

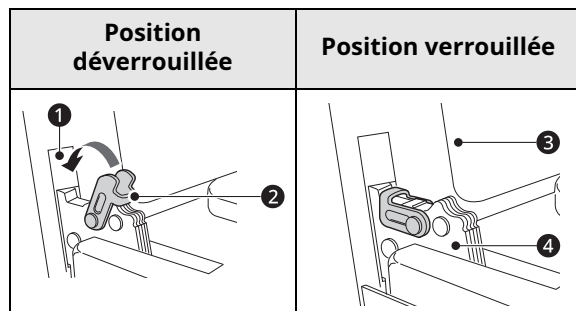
- 1 Saisissez fermement les deux côtés de la porte par le haut.
- 2 Insérez complètement les bras de charnière ❶ dans les fentes ❷ jusqu'à ce que les encoches ❸ des bras de charnière reposent sur les bords inférieurs des fentes.



- ❶ Bras de charnière
- ❷ Bord inférieur de la fente
- ❸ Encoche

- 3 Ouvrez lentement et complètement la porte. Assurez-vous que les bras de charnière sont correctement engagés dans les fentes.

- 4 Soulevez le verrou de charnière ② et faites-le basculer vers le four ③ jusqu'à ce qu'il s'enclenche en position.



- ① Fente
- ② Verrou de charnière
- ③ Cadre du four
- ④ Bras de charnière

- 5 Fermez la porte du four.

## Retrait et assemblage des tiroirs

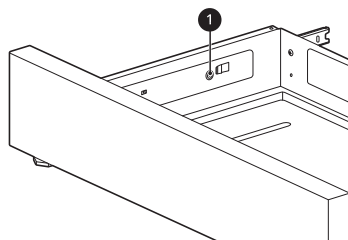
### Retrait des tiroirs

#### ⚠ MISE EN GARDE

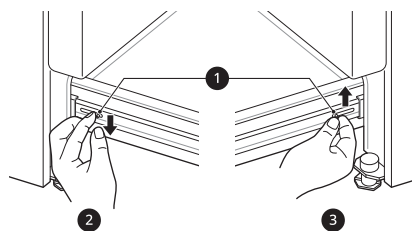
- Débranchez l'alimentation électrique de la cuisinière au panneau principal (fusibles ou disjoncteurs). Le non-respect de cette consigne peut causer des blessures corporelles graves, la mort ou une décharge électrique.

En général, vous pouvez nettoyer le four alors que le tiroir est en place; toutefois, il vous faudra peut-être enlever le tiroir si un nettoyage plus en profondeur est nécessaire. Servez-vous d'eau chaude pour nettoyer le four à fond.

- 1 Ouvrez entièrement le tiroir.
- 2 Dévissez la vis ① qui se trouve sur le côté, à l'arrière du tiroir.



- 3 Repérez les leviers de glissement de chaque côté du tiroir. Appuyez sur celui de gauche et soulevez celui de droite.



- ① Levier
- ② Poussez le levier avec un doigt
- ③ Tirez le levier vers le haut avec un doigt

- 4 Glissez le tiroir hors de la cuisinière.

### Assemblage des tiroirs

- 1 Tirez les glissières à roulement vers l'avant de la glissière du cadre.
- 2 Alignez les glissières situées de chaque côté du tiroir avec les fentes de glissement de la cuisinière.
- 3 Poussez le tiroir dans la cuisinière jusqu'à ce que les leviers s'enclenchent (environ deux pouces).
- 4 Insérez et serrez les vis qui se trouvent sur le côté, à l'arrière du tiroir.
- 5 Tirez à nouveau sur le tiroir pour mettre les glissières de roulement en place.

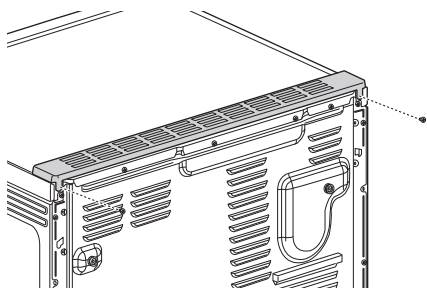
### Retrait et assemblage de la garniture d'évent

#### Retrait de la garniture d'évent

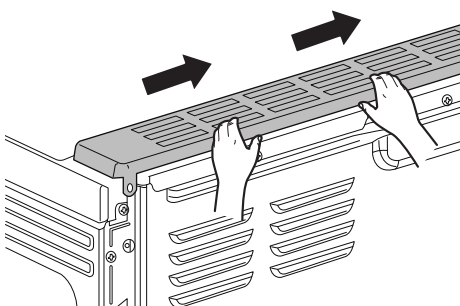
- 1 À l'aide d'un tournevis, enlevez les deux vis qui maintiennent en place la garniture d'évent.



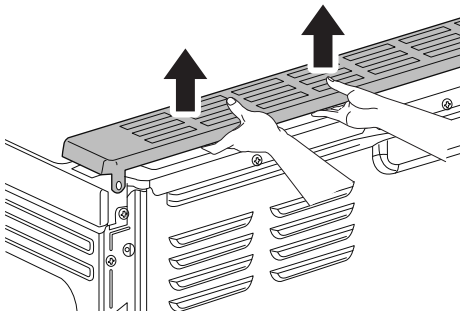
## 62 ENTRETIEN



- 2** Déplacez la garniture d'évent dans la direction indiquée d'environ 1/4 po.



- 3** Soulevez la garniture d'évent.



### Assemblage de la garniture d'évent

Assemblez la garniture d'évent en répétant les étapes de son retrait dans l'ordre inverse.

## Entretien périodique

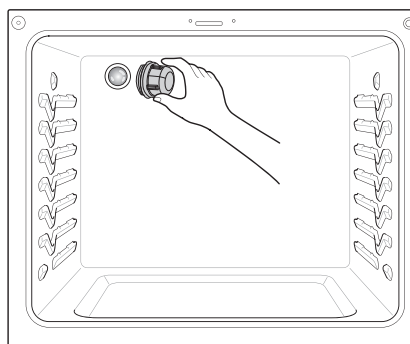
### Remplacement de la lampe du four

La lampe du four est une ampoule de 40 watts standard halogène pour appareils électroménagers. Elle s'allume lorsqu'on ouvre la porte du four. Pour allumer ou éteindre la lumière lorsque la porte du four est fermée, appuyez sur la touche **Light**.

### ⚠ AVERTISSEMENT

- Assurez-vous que le four et la lampe sont froids.
- Débranchez l'alimentation électrique de la cuisinière au panneau principal (fusibles ou disjoncteurs). Le non-respect de cette consigne peut causer des blessures corporelles graves, la mort ou une décharge électrique.

- 1** Débranchez la cuisinière ou l'alimentation électrique.
- 2** Pour enlever le couvercle de la lampe situé à l'arrière du four, tournez-le dans le sens antihoraire.
- 3** Enlevez la lampe halogène de la douille.
- 4** Insérez la nouvelle lampe halogène.
- 5** Insérez le couvercle de la lampe et tournez-le dans le sens horaire.
- 6** Rebranchez la cuisinière ou l'alimentation électrique.





# DÉPANNAGE

## FAQ

### Foire aux questions

**Q : Quels sont les types d'accessoires de cuisson que vous recommandez d'utiliser pour la surface de cuisson?**

- R :
- Les casseroles et les poêles doivent avoir un fond plat et des côtés droits.
  - N'utilisez que des casseroles et des poêles à fond épais.
  - La taille de la casserole ou de la poêle doit correspondre à la quantité de nourriture à préparer et à la taille de l'élément de surface.
  - Utilisez des couvercles bien ajustés.
  - N'utilisez que des woks à fond plat.

**Q : Pourquoi les éléments chauffants semblent-ils s'allumer et s'éteindre pendant que j'utilise la surface de cuisson ou le four?**

- R : Selon le réglage des éléments de votre surface de cuisson ou la température sélectionnée dans votre four, il est normal que les éléments de cuisson s'allument et s'éteignent successivement.

**Q : Mon nouveau four ne cuit pas comme mon ancien. Y a-t-il un problème avec les réglages de la température?**

- R : Non. Votre four a été testé et calibré en usine. Pour les premières utilisations, respectez les temps de cuisson et les températures indiqués dans votre recette. Si vous pensez toujours que votre nouveau four est trop chaud ou trop froid, vous pouvez ajuster la température du four vous-même pour répondre à vos besoins de cuisson. Reportez-vous à la section Modification des réglages du four de ce manuel pour obtenir des instructions simples sur la manière de régler votre thermostat.

**Q : Est-il normal d'entendre un cliquetis venant de l'arrière du four lorsque je l'utilise?**

- R : Votre nouvelle cuisinière est conçue pour maintenir un contrôle plus strict de la température de votre four. Vous entendrez peut-être les éléments chauffants de votre four cliqueter plus fréquemment sur votre nouveau four. C'est normal.

**Q : Pourquoi l'heure clignote-t-elle?**

- R : Cela signifie que le produit vient d'être branché, ou qu'il y a eu une panne de courant. Pour que l'heure ne clignote plus, appuyez sur n'importe quel bouton et réinitialisez l'horloge si nécessaire.

**Q : Pendant la cuisson par convection, le ventilateur s'arrête lorsque j'ouvre la porte. Est-ce normal?**

- R : Oui, ceci est normal. Lorsque la porte est ouverte, le ventilateur de convection s'arrête jusqu'à ce que la porte soit refermée.

**Q : Puis-je utiliser du papier d'aluminium pour recueillir les égouttements dans la cavité de mon four?**

- R : N'utilisez jamais de papier d'aluminium pour tapisser le fond ou les parois du four ou le tiroir chauffant (sur certains modèles). La feuille d'aluminium fondra et collera à la surface inférieure du four et ne pourra pas être enlevée. Utilisez plutôt une plaque recouverte de papier d'aluminium placée sur une grille inférieure du four pour recueillir les égouttements. (Si le papier d'aluminium a déjà fondu sur la partie inférieure du four, il n'aura pas d'incidence sur son fonctionnement.)

**Q : Puis-je utiliser du papier d'aluminium sur les grilles?**

## 64 DÉPANNAGE

- R : Ne couvrez pas les grilles de papier d'aluminium. Le fait de recouvrir entièrement les grilles de papier d'aluminium restreint la circulation de l'air, ce qui entraîne une mauvaise cuisson. Utilisez une plaque recouverte de papier d'aluminium pour les tartes aux fruits ou autres aliments acides ou sucrés pour éviter que les déversements n'endommagent la finition du four.

### MISE EN GARDE

- Le papier d'aluminium peut être utilisé pour envelopper les aliments dans le four ou le tiroir chauffant, mais il ne doit pas entrer directement en contact avec les éléments chauffants ou de grillage dans le four. Le papier d'aluminium peut fondre ou s'enflammer, ce qui pourrait générer de la fumée ou causer un incendie ou des blessures.

#### **Q : Puis-je laisser mes grilles dans le four lorsque je lance un cycle d'autonettoyage (sur certains modèles)?**

R : Non. Bien que cela n'endommagera pas les grilles, cela les décolorera et pourrait les rendre difficiles à enlever et à replacer pendant l'utilisation. Enlevez tous les accessoires du four avant de lancer un cycle d'autonettoyage.


#### **Q : Que dois-je faire si mes grilles sont collantes et qu'il est devenu difficile de les enlever et de les replacer dans le four?**

R : Au fil du temps, les grilles peuvent devenir difficiles à enlever et à replacer dans le four. Appliquez une petite quantité d'huile d'olive sur les côtés des grilles. Cela les lubrifiera et vous permettra de les enlever et de les replacer plus facilement dans le four.

#### **Q : Que dois-je faire s'il y a des taches difficiles à nettoyer sur ma surface de cuisson?**

R : La surface de cuisson doit être nettoyée après chaque utilisation pour éviter qu'elle soit tachée de façon permanente. Lorsque vous cuisinez des aliments à forte teneur en sucre comme de la sauce tomate, nettoyez la tache avec un grattoir pendant que la surface de cuisson est encore chaude. Utilisez un gant de cuisine lorsque vous grattez la tache pour éviter les brûlures. Pour d'autres directives, consultez la section ENTRETIEN de ce manuel d'utilisation.

#### **Q : Pourquoi les boutons de commande ne fonctionnent-ils pas?**

R : Assurez-vous que la cuisinière n'est pas en mode de verrouillage des commandes/verrouillage. L'icône de cadenas  s'affiche à l'écran si le verrouillage des commandes/verrouillage est activé. Pour désactiver le verrouillage des commandes/verrouillage, consultez la section Verrouillage des commandes/Verrouillage. La mélodie de déverrouillage se fait entendre et l'indication **Loc** s'affiche à l'écran jusqu'à ce que les commandes soient déverrouillées. Sur les modèles dotés du mode Sabbath, assurez-vous que la cuisinière n'est pas en mode Sabbath. Consultez la section Mode Sabbath du manuel pour obtenir des instructions.

#### **Q : Ma cuisinière est toujours sale après avoir fait un cycle EasyClean. Que puis-je faire?**

R : Le cycle EasyClean permet uniquement de déloger la saleté légère de votre cuisinière pour faciliter le nettoyage à la main de votre four. Toute la saleté n'est pas automatiquement nettoyée après le cycle. À la fin du cycle EasyClean, vous devez frotter votre cuisinière.

#### **Q : J'ai essayé de frotter mon four après avoir fait fonctionner le cycle EasyClean, mais il reste encore de la saleté. Que puis-je faire?**

R : La fonction EasyClean fonctionne mieux lorsque la saleté est entièrement imbibée et submergée dans l'eau avant de lancer le cycle et pendant le nettoyage à la main. Si la saleté n'est pas suffisamment imbibée d'eau, cela peut nuire à la performance de nettoyage. Relancez le cycle EasyClean en utilisant suffisamment d'eau.

- Pour les modèles dotés de la fonction d'autonettoyage :

La saleté causée par des aliments sucrés ou gras est particulièrement difficile à nettoyer. Pour enlever la saleté tenace, utilisez la fonction d'autonettoyage pour nettoyer votre four à fond.

**Q : Je n'arrive pas à nettoyer la saleté qui se trouve sur les parois de mon four. Comment puis-je rendre les parois de mon four propres?**

R : La saleté se trouvant sur les parois latérales et arrière de votre four peut être plus difficile à imbiber complètement d'eau. Essayez de relancer le cycle EasyClean en vaporisant plus du quart de tasse d'eau (2 oz ou 60 ml) recommandé.

**Q : La fonction EasyClean pourra-t-elle entièrement nettoyer la saleté et les taches?**

R : Cela dépend du type de saleté. Les taches causées par des aliments sucrés et certaines taches de graisse sont particulièrement difficiles à nettoyer. De plus, si les taches ne sont pas suffisamment imbibées d'eau, cela peut nuire aux performances de nettoyage.

- Pour les modèles dotés de la fonction d'autonettoyage :  
Pour déloger les taches tenaces ou la saleté accumulée, utilisez la fonction d'autonettoyage. Pour plus de détails, consultez la section « Autonettoyage » de votre manuel d'utilisation.

**Q : Avez-vous des conseils pour nettoyer la saleté tenace?**

R : Il est recommandé de gratter la saleté avec un grattoir en plastique avant et pendant le nettoyage à la main. Il est également recommandé d'imbiber complètement la saleté avec de l'eau.

- Pour les modèles dotés de la fonction d'autonettoyage :  
Certains types de saleté sont plus difficiles à nettoyer que d'autres. Pour déloger la saleté tenace, nous vous recommandons d'utiliser le cycle d'autonettoyage. Pour obtenir plus de détails, consultez la section Autonettoyage de votre manuel d'utilisation.

**Q : Est-ce correct si mon ventilateur de convection ou mon élément chauffant est mouillé pendant le nettoyage?**

R : Oui. Le ventilateur de convection ou l'élément chauffant peut être un peu mouillé pendant le nettoyage. Toutefois, il n'est pas nécessaire de vaporiser de l'eau directement sur le brûleur de gril et les éléments chauffants, car ils se nettoient automatiquement pendant l'utilisation régulière.

**Q : Dois-je utiliser 1 ¼ tasse (10 oz ou 300 ml) d'eau avec la fonction EasyClean?**

R : Oui. Il est fortement recommandé de vaporiser ou de verser 1 tasse (8 oz ou 240 ml) d'eau dans le fond du four et de vaporiser ¼ tasse (2 oz ou 60 ml) d'eau supplémentaire sur les parois et autres surfaces sales afin d'imbiber la saleté d'eau pour assurer le meilleur nettoyage possible.

**Q : Je vois de la fumée sortir des événements de la surface de cuisson de mon four pendant que le cycle EasyClean est en marche. Est-ce normal?**

R : Ceci est normal. Il ne s'agit pas de fumée. Il s'agit en fait de vapeur d'eau provenant de l'eau contenue dans la cavité du four. Lorsque le four chauffe brièvement pendant le cycle EasyClean, l'eau contenue dans la cavité s'évapore et s'échappe par les événements du four.

**Q : À quelle fréquence dois-je utiliser la fonction EasyClean?**

R : La fonction EasyClean peut être utilisée aussi souvent que vous le souhaitez. La fonction EasyClean fonctionne mieux lorsque votre four est LÉGÈREMENT souillé par de PETITES éclaboussures de graisse et gouttes de fromage. Pour plus d'informations, consultez la section « Fonction EasyClean » de votre manuel d'utilisation.

**Q : De quel matériel ai-je besoin pendant le cycle EasyClean?**

R : Un vaporisateur rempli de 1 ¼ tasse (10 oz ou 300 ml) d'eau, un grattoir en plastique, un tampon à récurer anti-rayures et une serviette. Vous ne devez pas utiliser de brosses abrasives telles que des tampons à récurer robustes ou une laine d'acier.

**Q : Comment puis-je assurer la sécurité de mes enfants près de la cuisinière?**

## 66 DÉPANNAGE

**R :** Les enfants doivent être surveillés lorsque la cuisinière est en fonction et après son utilisation, jusqu'à ce que les surfaces aient refroidi. Vous pouvez aussi utiliser la fonction de verrouillage des commandes / verrouillage pour empêcher les enfants d'allumer accidentellement la surface de cuisson ou le four. La fonction de verrouillage des commandes / verrouillage désactive la plupart des touches du panneau de commande ainsi que les boutons de commande de la surface de cuisson. Sur certains modèles, la fonction verrouille également la porte du four. Pour obtenir plus de détails, consultez la section Verrouillage des commandes / Verrouillage de votre manuel d'utilisation. (Pour les modèles sans option d'autonettoyage, la fonction de verrouillage des commandes / verrouillage désactive les commandes, mais ne verrouille pas la porte du four.)

**Q :** **Pourquoi la fonction InstaView ne marche-t-elle pas? (Sur certains modèles seulement.)**

**R :** Mettez à niveau la cuisinière en ajustant les pieds de nivellement avec une clé.

## Avant d'appeler le réparateur

Consultez cette section du manuel avant de demander un service d'entretien; ce faisant, vous économiserez temps et argent.

### Cuisson

Symptômes	Causes possibles et solutions
<b>Le four ne fonctionne pas.</b>	<b>La fiche de la cuisinière n'est pas complètement insérée dans la prise électrique.</b> <ul style="list-style-type: none"> <li>Vérifiez que la fiche électrique est branchée dans une prise sous tension correctement mise à la terre.</li> </ul>
	<b>Il se peut qu'un fusible de votre maison ait sauté ou que le disjoncteur se soit déclenché.</b> <ul style="list-style-type: none"> <li>Remplacer le fusible ou réenclencher le disjoncteur.</li> </ul>
	<b>Les commandes du four sont mal réglées.</b> <ul style="list-style-type: none"> <li>Consultez la section « Four » du chapitre Fonctionnement.</li> </ul>
	<b>Le four est trop chaud.</b> <ul style="list-style-type: none"> <li>Laissez la température du four descendre sous la température de verrouillage.</li> </ul>
<b>De la vapeur est évacuée par l'évent du four.</b>	<b>La cuisson d'aliments très humides produit de la vapeur.</b> <ul style="list-style-type: none"> <li>Ceci est normal.</li> </ul>
<b>L'appareil ne fonctionne pas.</b>	<b>Le cordon d'alimentation n'est pas bien branché.</b> <ul style="list-style-type: none"> <li>Assurez-vous que le cordon d'alimentation est bien branché dans une prise de courant. Vérifiez les disjoncteurs.</li> </ul>
	<b>Le raccordement du câblage n'a pas été fait.</b> <ul style="list-style-type: none"> <li>Contactez votre électricien pour obtenir de l'aide.</li> </ul>
	<b>Coupure de courant.</b> <ul style="list-style-type: none"> <li>Vérifier les lumières de la maison pour vous en assurer. Appeler le service d'électricité.</li> </ul>
	<b>Le mode Sabbath est activé (sur certains modèles). 5b s'affiche à l'écran et toutes les touches de fonction sont désactivées.</b> <ul style="list-style-type: none"> <li>Appuyez sur le bouton Réglages et maintenez-le enfoncé pendant trois secondes, ou jusqu'à ce que 5b ne s'affiche plus à l'écran.</li> </ul>
<b>Une fumée abondante s'échappe du four pendant la cuisson au gril.</b>	<b>Les commandes ne sont pas correctement réglées.</b> <ul style="list-style-type: none"> <li>Suivez les directives fournies à la section « Réglage des commandes du four ».</li> </ul>

Symptômes	Causes possibles et solutions
<b>Une fumée abondante s'échappe du four pendant la cuisson au grill.</b>	<b>La viande est trop proche de l'élément.</b> <ul style="list-style-type: none"> <li>Changez la grille de position de manière à ce qu'il y ait suffisamment d'espace entre la viande et l'élément. Faites préchauffer l'élément de grillage avant d'entreprendre le grillage.</li> </ul>
	<b>La viande est mal préparée.</b> <ul style="list-style-type: none"> <li>Enlevez l'excès de gras de la viande. Entaillez les bords de gras pour éviter qu'ils ne se recourbent.</li> </ul>
	<b>La grille a été placée à l'envers sur la lèchefrite et la graisse ne s'égoutte pas.</b> <ul style="list-style-type: none"> <li>Placez toujours la grille sur la lèchefrite les rainures vers le haut et les fentes vers le bas pour permettre à la graisse de s'égoutter dans la lèchefrite.</li> </ul>
	<b>Des traces de graisse se sont accumulées sur la surface du four. Les traces de graisse ou les éclaboussures d'aliments peuvent générer une fumée excessive.</b> <ul style="list-style-type: none"> <li>Si vous utilisez souvent la fonction de cuisson au grill, vous devez nettoyer la surface de cuisson régulièrement.</li> </ul>
<b>Les aliments ne cuisent pas ou ne rôtissent pas comme il se doit.</b>	<b>Les commandes du four sont mal réglées.</b> <ul style="list-style-type: none"> <li>Consultez la section « Four » du chapitre Fonctionnement.</li> </ul>
	<b>La grille n'est pas à la bonne position ou elle n'est pas à niveau.</b> <ul style="list-style-type: none"> <li>Consultez la section « Four » du chapitre Fonctionnement.</li> </ul>
	<b>Des accessoires de cuisson inadéquats sont utilisés ou ils ne sont pas de la bonne taille.</b> <ul style="list-style-type: none"> <li>Consultez la section « Four » du chapitre Fonctionnement.</li> </ul>
	<b>Le capteur du four doit être réglé.</b> <ul style="list-style-type: none"> <li>Consultez la section « Calibrage de la température du four » du chapitre Fonctionnement.</li> </ul>
<b>Les aliments ne grillent pas bien.</b>	<b>Les commandes du four sont mal réglées.</b> <ul style="list-style-type: none"> <li>Assurez-vous d'avoir sélectionné le mode <b>Broil</b>.</li> </ul>
	<b>La grille n'est pas à la bonne position.</b> <ul style="list-style-type: none"> <li>Consultez le guide sur la cuisson au grill.</li> </ul>
	<b>Les accessoires de cuisson ne conviennent pas à la cuisson au grill.</b> <ul style="list-style-type: none"> <li>Utilisez une lèchefrite et une grille.</li> </ul>
	<b>Le papier d'aluminium de la lèchefrite et de la grille n'a pas été coupé et ajusté de la façon recommandée.</b> <ul style="list-style-type: none"> <li>Consultez la section « Four » du chapitre Fonctionnement.</li> </ul>
	<b>Dans certaines régions, la puissance nominale peut être faible.</b> <ul style="list-style-type: none"> <li>Préchauffez l'élément de grillage pendant cinq à sept minutes. Consultez le guide sur la cuisson au grill.</li> </ul>
<b>La température du four est trop élevée ou trop basse.</b>	<b>Le capteur du four doit être réglé.</b> <ul style="list-style-type: none"> <li>Consultez la section « Calibrage de la température du four » du chapitre Fonctionnement.</li> </ul>
<b>Une fumée abondante se dégage pendant un cycle d'autonettoyage (sur certains modèles).</b>	<b>Saleté excessive.</b> <ul style="list-style-type: none"> <li>Désactivez la fonction d'autonettoyage. Ouvrez les fenêtres pour aérer la pièce. Attendez jusqu'à ce que le mode d'autonettoyage soit annulé. Essuyez la saleté excessive et relancez le cycle d'autonettoyage.</li> </ul>
<b>Une odeur de brûlé ou d'huile provient de l'évent.</b>	<b>Ceci est normal dans le cas d'un four neuf.</b> <ul style="list-style-type: none"> <li>Cette odeur disparaîtra avec le temps. Pour accélérer le processus, lancez un cycle d'autonettoyage d'au moins trois heures. Consultez la section « Autonettoyage » (sur certains modèles).</li> </ul>

## 68 DÉPANNAGE

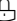
Symptômes	Causes possibles et solutions
L'humidité s'accumule sur la vitre du four ou de la vapeur se dégage de l'évent du four.	<b>Cela peut se produire lors de la cuisson d'aliments très humides.</b> <ul style="list-style-type: none"> <li>Ceci est normal.</li> </ul>
	<b>Une trop grande quantité d'eau a été utilisée lors du nettoyage de la fenêtre.</b> <ul style="list-style-type: none"> <li>N'utilisez pas une trop grande quantité d'eau lorsque vous nettoyez la fenêtre.</li> </ul>

### Pièces et caractéristiques

Symptômes	Causes possibles et solutions
La cuisinière n'est pas à niveau.	<b>Mauvaise installation.</b> <ul style="list-style-type: none"> <li>Placez la grille du four au centre du four. Placez un niveau sur la grille du four. Ajustez les pieds de nivellement situés à la base de la cuisinière jusqu'à ce que la grille du four soit à niveau.</li> <li>Assurez-vous que le sol est suffisamment plat, solide et stable pour soutenir adéquatement la cuisinière.</li> <li>Si le sol est affaissé ou incliné, contactez un menuisier afin de corriger la situation.</li> </ul>
	<b>L'alignement des armoires de cuisine peut donner l'impression que la cuisinière n'est pas à niveau.</b> <ul style="list-style-type: none"> <li>Assurez-vous que les armoires sont à l'équerre et que le dégagement est suffisant entre les armoires et la cuisinière.</li> </ul>
L'appareil ne se déplace pas facilement. L'appareil doit être accessible pour l'entretien.	<b>Les armoires ne sont pas à l'équerre ou le dégagement n'est pas suffisant.</b> <ul style="list-style-type: none"> <li>Communiquez avec le constructeur ou l'installateur pour rendre l'appareil accessible.</li> </ul>
	<b>Le tapis empêche de déplacer la cuisinière.</b> <ul style="list-style-type: none"> <li>Prévoyez suffisamment d'espace pour que la cuisinière puisse être soulevée au-dessus du tapis.</li> </ul>
	<b>Le dispositif antibasculement est enclenché.</b> <ul style="list-style-type: none"> <li>Enlevez le dispositif antibasculement pour déplacer la cuisinière. Après avoir déplacé la cuisinière pour le nettoyage, l'entretien ou toute autre raison, réenclenchez le dispositif antibasculement.</li> </ul>
Les éléments de surface ne gardent pas l'eau en ébullition ou la cuisson n'est pas assez rapide.	<b>Les mauvais accessoires de cuisson sont utilisés.</b> <ul style="list-style-type: none"> <li>Utilisez des casseroles à fond plat qui correspondent au diamètre de l'élément de surface utilisé.</li> </ul>
	<b>Dans certaines régions, il est possible que la puissance (tension) soit faible.</b> <ul style="list-style-type: none"> <li>Couvrez la casserole avec un couvercle jusqu'à ce que la température désirée soit atteinte.</li> </ul>
Les unités de surface ne fonctionnent pas correctement.	<b>Il se peut qu'un fusible de votre maison ait sauté ou que le disjoncteur se soit déclenché.</b> <ul style="list-style-type: none"> <li>Remplacer le fusible ou réenclencher le disjoncteur.</li> </ul>
	<b>Les commandes de la surface de cuisson sont mal réglées.</b> <ul style="list-style-type: none"> <li>Assurez-vous d'avoir choisi la bonne commande pour l'élément de surface que vous utilisez.</li> </ul>

Symptômes	Causes possibles et solutions
L'élément de surface cesse de rougir lorsque je sélectionne une température plus basse.	<p><b>L'unité est toujours en marche et chaude.</b></p> <ul style="list-style-type: none"> <li>Ceci est normal.</li> </ul>
La surface de cuisson montre des zones de décoloration.	<p><b>Les déversements n'ont pas été nettoyés avant l'utilisation.</b></p> <ul style="list-style-type: none"> <li>Consultez la section « Surface de cuisson en vitrocéramique » dans le chapitre ENTRETIEN.</li> </ul>
	<p><b>Surface chaude sur un modèle avec une surface de cuisson de couleur claire.</b></p> <ul style="list-style-type: none"> <li>Ceci est normal. La surface peut sembler décolorée lorsqu'elle est chaude. Cette situation est temporaire et la décoloration disparaîtra lorsque le verre refroidira.</li> </ul>
Fréquente mise en marche et arrêt des unités de surface.	<p><b>L'élément se met en marche et s'arrête pour maintenir le réglage de la chaleur.</b></p> <ul style="list-style-type: none"> <li>Ceci est normal.</li> </ul>
Éraflures ou abrasions sur la surface de cuisson.	<p><b>Les grosses particules, comme le sel ou le sable, coincées entre la surface de cuisson et les ustensiles peuvent rayer la surface.</b></p> <ul style="list-style-type: none"> <li>Assurez-vous que la surface de cuisson et le fond des ustensiles sont propres avant de les utiliser. Les petites rayures ne gênent pas la cuisson et deviennent moins visibles avec le temps.</li> </ul>
	<p><b>Des produits de nettoyage non recommandés pour les surfaces de cuisson en vitrocéramique ont été utilisés.</b></p> <ul style="list-style-type: none"> <li>Consultez la section « Surface de cuisson en vitrocéramique » dans le chapitre ENTRETIEN.</li> </ul>
	<p><b>Des accessoires de cuisson à fond rugueux ont été utilisés.</b></p> <ul style="list-style-type: none"> <li>Utilisez des accessoires de cuisson dont le fond est plat et lisse.</li> </ul>
Traces métalliques	<p><b>Raclage d'ustensiles métalliques sur la surface de cuisson.</b></p> <ul style="list-style-type: none"> <li>Ne faites pas glisser d'ustensiles métalliques sur la surface de cuisson. Utilisez une crème de nettoyage pour surface de cuisson en vitrocéramique pour enlever les traces métalliques. Consultez la section « Surface de cuisson en vitrocéramique » dans le chapitre ENTRETIEN.</li> </ul>
Traces ou taches brunes	<p><b>Les débordements ont cuit sur la surface.</b></p> <ul style="list-style-type: none"> <li>Utilisez un grattoir à lame de rasoir pour enlever la saleté. Consultez la section « Surface de cuisson en vitrocéramique » dans le chapitre ENTRETIEN.</li> </ul>
Zones de décoloration sur la surface de cuisson.	<p><b>Dépôts minéraux causés par l'eau et les aliments.</b></p> <ul style="list-style-type: none"> <li>Enlevez-les à l'aide d'une crème nettoyante pour surfaces de cuisson en vitrocéramique. Utilisez des accessoires de cuisson dont le fond est propre et sec.</li> </ul>
Le four émet un bip et affiche un code d'erreur F.	<p><b>La commande électronique a détecté une défaillance.</b></p> <ul style="list-style-type: none"> <li>Désactivez la fonction du four que vous utilisez pour effacer l'affichage et arrêter la tonalité. Reprogrammez le four. Si la défaillance se reproduit, prenez le numéro de la panne en note et communiquez avec un agent de service.</li> </ul>
Le tableau de commande du four affiche un code d'erreur Sb, 5b, S6 ou 56	<p><b>Ce code n'est pas un code d'erreur. Ils indiquent que le mode Sabbath 5b de la cuisinière est activé.</b></p> <ul style="list-style-type: none"> <li>Consultez la section « Utilisation du mode Sabbath » au chapitre Fonctionnement.</li> </ul>
Les deux points de l'horloge clignotent.	<p><b>Cela signifie que le produit vient d'être branché ou qu'il y a eu une panne de courant.</b></p> <ul style="list-style-type: none"> <li>Ceci est normal. Remettez l'horloge à l'heure ou appuyez sur n'importe quel bouton pour arrêter le clignotement.</li> </ul>

## 70 DÉPANNAGE

Symptômes	Causes possibles et solutions
« CLEAN » (nettoyage) et l'icône de porte clignotent à l'écran (sur certains modèles).	<p><b>Le cycle d'autonettoyage a été sélectionné, mais la porte n'est pas fermée.</b></p> <ul style="list-style-type: none"> <li>Fermez la porte du four.</li> </ul>
Loc est affiché sur l'écran lorsque vous voulez cuisiner (sur certains modèles).	<p><b>Le four est verrouillé en raison de la fonctionnalité de verrouillage des commandes / verrouillage.</b></p> <ul style="list-style-type: none"> <li>Désactivez la fonction de <b>verrouillage des commandes / verrouillage</b>.</li> </ul>
La lampe du four ne fonctionne pas.	<p><b>La lampe doit être remplacée ou la lampe n'est pas vissée assez serrée.</b></p> <ul style="list-style-type: none"> <li>Remplacez la lampe ou resserrez-la suffisamment. Consultez la section « Remplacement de la lampe du four » de ce manuel d'utilisation.</li> </ul>
Le ventilateur de convection s'arrête (pendant le mode de cuisson par convection).	<p><b>Le ventilateur de convection s'arrête pendant un cycle de cuisson par convection. Cela permet un chauffage plus uniforme pendant le cycle.</b></p> <ul style="list-style-type: none"> <li>La cuisinière n'est pas en panne et cela fait partie de son fonctionnement normal.</li> </ul>
Fonctionnement du ventilateur (pendant le mode de cuisson)	<p><b>Ceci vise à assurer des résultats de cuisson uniformes.</b></p> <ul style="list-style-type: none"> <li>Le ventilateur fonctionne périodiquement tout au long d'un cycle de cuisson normal dans le four.</li> </ul>
La fonction d'autonettoyage du four ne se met pas en marche (sur certains modèles).	<p><b>La température du four est trop élevée pour effectuer un cycle d'autonettoyage.</b></p> <ul style="list-style-type: none"> <li>Laissez la cuisinière refroidir et réinitialisez les commandes.</li> </ul>
	<p><b>Les commandes du four sont mal réglées.</b></p> <ul style="list-style-type: none"> <li>Consultez la section « Autonettoyage ».</li> </ul>
	<p><b>Le cycle d'autonettoyage ne peut pas démarrer si la fonction de verrouillage des commandes / verrouillage est activée.</b></p> <ul style="list-style-type: none"> <li>Consultez la sous-section « Verrouillage des commandes / Verrouillage » dans la section « Modification des réglages du four ».</li> </ul>
La porte du four ne s'ouvre pas à la fin d'un cycle d'autonettoyage (sur certains modèles).	<p><b>Le four est trop chaud.</b></p> <ul style="list-style-type: none"> <li>Laissez la température du four descendre sous la température de verrouillage.</li> </ul>
	<p><b>Le panneau de commande et la porte sont peut-être verrouillés.</b></p> <ul style="list-style-type: none"> <li>À la fin du cycle d'autonettoyage, laissez le four refroidir pendant environ une heure. La porte peut être ouverte lorsque l'icône de cadenas  n'est plus affichée.</li> </ul>
Le four n'est pas propre à la fin d'un cycle d'autonettoyage (sur certains modèles).	<p><b>Les commandes du four ne sont pas correctement réglées.</b></p> <ul style="list-style-type: none"> <li>Consultez la section « Autonettoyage ».</li> </ul>
	<p><b>Le four est très sale.</b></p> <ul style="list-style-type: none"> <li>Nettoyez les déversements les plus importants avant de lancer le cycle de nettoyage. Les fours très sales peuvent avoir besoin d'être nettoyés à nouveau ou d'un nettoyage plus en profondeur.</li> </ul>
Les grilles du four sont difficiles à enlever et à remettre (sur certains modèles).	<p><b>Les grilles brillantes et argentées ont été nettoyées avec la fonction d'autonettoyage.</b></p> <ul style="list-style-type: none"> <li>Appliquez une petite quantité d'huile végétale sur un essuie-tout que vous utiliserez pour frotter les bords des grilles du four.</li> </ul>



## Bruits

Symptômes	Causes possibles et solutions
<b>Bruit de craquement ou de claquement</b>	<p><b>Ces sons sont produits par le métal qui se dilate en chauffant et se contracte en refroidissant pendant la cuisson et le cycle d'autonettoyage.</b></p> <ul style="list-style-type: none"> <li>Ceci est normal.</li> </ul>
<b>Bruit du ventilateur</b>	<p><b>Le ventilateur de convection peut s'allumer et s'éteindre automatiquement.</b></p> <ul style="list-style-type: none"> <li>Ceci est normal.</li> </ul>
<b>Un signal sonore retentit lorsque les éléments de surface sont allumés.</b>	<p><b>Lorsqu'un des brûleurs de la surface de cuisson est allumé, un signal sonore retentit pour indiquer que la surface de cuisson est en marche.</b></p> <ul style="list-style-type: none"> <li>Ceci est normal.</li> </ul>

## Wi-Fi

Symptômes	Causes possibles et solutions
<b>L'appareil et le téléphone intelligent n'arrivent pas à se connecter au réseau Wi-Fi.</b>	<p><b>Le mot de passe du réseau Wi-Fi n'a pas été saisi correctement.</b></p> <ul style="list-style-type: none"> <li>Supprimez votre réseau Wi-Fi domestique et recommencez le processus de connexion.</li> </ul>
	<p><b>Les données mobiles de votre téléphone intelligent sont activées.</b></p> <ul style="list-style-type: none"> <li>Désactivez les <b>données mobiles</b> de votre téléphone intelligent avant de connecter l'appareil.</li> </ul>
	<p><b>Le nom du réseau sans fil (SSID) est erroné.</b></p> <ul style="list-style-type: none"> <li>Le nom du réseau sans fil (SSID) doit être une combinaison de lettres et de chiffres anglais. (N'utilisez pas de caractères spéciaux.)</li> </ul>
	<p><b>La fréquence du routeur n'est pas de 2,4 GHz.</b></p> <ul style="list-style-type: none"> <li>Seule une fréquence de routeur de 2,4 GHz est prise en charge. Réglez le routeur sans fil à 2,4 GHz et connectez-y l'appareil. Pour connaître la fréquence du routeur, informez-vous auprès de votre fournisseur de services Internet ou du fabricant du routeur.</li> </ul>
	<p><b>La distance entre l'appareil et le routeur est trop grande.</b></p> <ul style="list-style-type: none"> <li>Si l'appareil est trop éloigné du routeur, le signal peut être faible et la connexion peut ne pas être configurée correctement. Placez le routeur plus près de l'appareil ou achetez et installez un répéteur Wi-Fi.</li> </ul>
	<p><b>Pendant la configuration du Wi-Fi, l'application demande un mot de passe pour se connecter au produit (sur certains téléphones).</b></p> <ul style="list-style-type: none"> <li>Localisez le nom du réseau qui commence par « LG » sous Paramètres &gt; Réseaux. Notez la dernière partie du nom du réseau. <ul style="list-style-type: none"> <li>Si le nom du réseau ressemble à LGE_Appliance_XX-XX-XX, saisissez lge12345.</li> <li>Si le nom du réseau ressemble à LGE_Appliance_XXXX, saisissez XXXX deux fois à titre de mot de passe. Par exemple, si le nom du réseau est LGE_Appliance_8b92, vous devez saisir 8b928b92 à titre de mot de passe. Dans ce cas, le mot de passe est sensible à la casse et les quatre derniers caractères sont uniques à votre appareil.</li> </ul> </li> </ul>

# GARANTIE LIMITÉE

## CANADA

### CONDITIONS

**AVIS D'ARBITRAGE : LA PRÉSENTE GARANTIE LIMITÉE CONTIENT UNE DISPOSITION SUR L'ARBITRAGE QUI EXIGE QUE LE RÈGLEMENT DES DIFFÉRENDS ENTRE VOUS ET LG S'EFFECTUE PAR ARBITRAGE EXÉCUTOIRE PLUTÔT QUE DEVANT UN TRIBUNAL, À MOINS QUE LES LOIS DE VOTRE PROVINCE OU TERRITOIRE L'INTERDISSENT OU QUE, DANS UN AUTRE TERRITOIRE DE COMPÉTENCE, VOUS VOUS PRÉVALIEZ D'UNE OPTION DE RETRAIT. LES RECOURS COLLECTIFS ET LES PROCÈS DEVANT JURY NE SONT PAS AUTORISÉS PAR LE PROCESSUS D'ARBITRAGE. VEUILLEZ VOUS RÉFÉRER CI-DESSOUS À L'ARTICLE « PROCÉDURE DE RÈGLEMENT DE DIFFÉREND ».**

Si cuisinière électrique LG («Produit») a tombé en panne en raison d'un défaut de matériaux ou de fabrication sous une utilisation normale et appropriée, pendant la période de garantie indiquée ci-dessous, LG Electronics Canada Inc. («LGECI»), à son gré, réparera ou remplacera le «Produit» ou un offrira un remboursement au prorata après réception de la preuve d'achat originale au détail. Cette garantie limitée est valable uniquement qu'à l'acheteur original du «Produit» du détaillant et s'applique uniquement à un produit distribué, cacheté d'un détaillant autorisé et utilisé au Canada, tel que déterminé à la seule discrétion de «LGECI».

<b>PÉRIODE DE GARANTIE: (Remarque : Dans le cas où la date d'achat initial ne peut pas être vérifiée, la garantie commence soixante (60) jours après la date de fabrication.)</b>	
Pièces et main-d'œuvre (pièces internes et fonctionnelles uniquement)	Unités de surface radiant de la surface de cuisson en verre
Un (1) an après la date d'achat original de l'appareil.	Un (1) an après la date d'achat original de l'appareil.

- Les produits et pièces de remplacement sont garantis pour la portion restante de la période de garantie originale ou quatre-vingt-dix (90) jours, selon la période la plus longue.
- Les produits et pièces de rechange peuvent être neufs, reconditionnés, remis à neuf ou autrement fabriqués en usine, tous à la seule discrétion de «LGECI».
- Une preuve de l'achat original détaillant le modèle du produit et la date d'achat est exigée pour obtenir le service de garantie en vertu de cette garantie limitée.

**LA RESPONSABILITÉ DE LGECI EST LIMITÉE À LA GARANTIE LIMITÉE EXPRIMÉE CI-DESSUS. SAUF TEL QU'EXPRESSÉMENT FOURNI CI-DESSUS, LGECI DÉCLINE TOUTE AUTRE GARANTIE ET CONDITION CONCERNANT LE PRODUIT, EXPLICITE OU IMPLICITE, Y COMPRIS, MAIS SANS S'Y LIMITER, TOUTE GARANTIE IMPLICITE OU CONDITION DE QUALITÉ MARCHANDE OU D'ADAPTATION À UN USAGE PARTICULIER, ET AUCUNE REPRÉSENTATION NE SERA LIÉE À LGECI. LGECI N'AUTORISE AUCUNE PERSONNE À CRÉER OU ENOSSER À SA PLACE QUELCONQUE AUTRE OBLIGATION DE GARANTIE OU RESPONSABILITÉ RELATIVE AU PRODUIT. DANS LA MESURE OÙ TOUTE GARANTIE OU CONDITION EST IMPLICITE PAR LA LOI, ELLE EST LIMITÉE À LA PÉRIODE DE GARANTIE DÉCLARÉE CI-DESSUS. EN AUCUN CAS, LGECI, LE FABRICANT OU LE DISTRIBUTEUR DU PRODUIT, NE SERA TENU RESPONSABLE DE TOUT DOMMAGE ACCESSOIRE, CONSÉCUTIF, SPÉCIAL, DIRECT, INDIRECT, PUNITIF OU EXEMPLAIRE, Y COMPRIS, SANS LIMITATION, LA PERTE DE COTE D'ESTIME, PERTE DE PROFITS, PERTE DE PROFITS ANTICIPÉS, PERTE DE REVENUS, PERTE D'UTILISATION OU DE TOUT AUTRE DOMMAGE, QU'IL SOIT PROVENU DIRECTEMENT OU INDIRECTEMENT DE TOUTE INFRACTION CONTRACTUELLE, VIOLATION FONDAMENTALE, DÉLICTEUELLE OU AUTRE, OU DE TOUT ACTE OU OMISSION. LA RESPONSABILITÉ TOTALE DE LGECI, S'IL EN EST, N'OUTREPASSERA PAS LE PRIX D'ACHAT PAYÉ PAR VOUS POUR LE PRODUIT.**

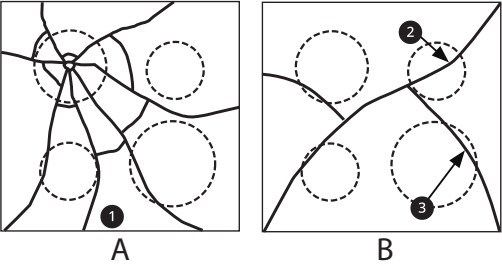
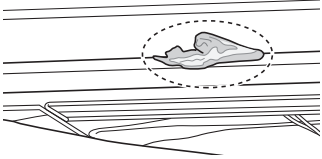

Cette garantie limitée vous donne des droits légaux spécifiques. Vous pouvez également avoir d'autres droits qui varient d'une province à l'autre selon les lois provinciales applicables. Tout terme de cette Garantie limitée qui nie ou modifie toute condition ou garantie implicite en vertu de la loi provinciale est divisible lorsqu'elle est en conflit avec cette loi provinciale sans affecter le reste des termes de cette garantie.

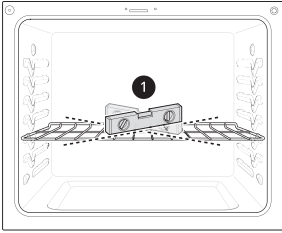
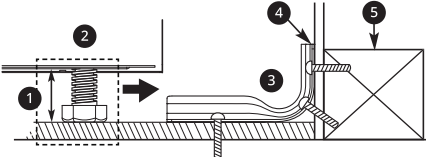
## LA PRÉSENTE GARANTIE LIMITÉE NE COUVRE PAS CE QUI SUIT :

- Les déplacements de service pour i) livrer, ramasser ou installer le produit, ou en expliquer le fonctionnement; ii) corriger le câblage; ou iii) corriger des réparations ou une installation non autorisées du produit;
- Dommage ou panne du Produit à performer lors de panne de courant et service électrique inadéquat ou interrompu;
- Dommage ou panne résultant de l'utilisation du Produit dans un environnement corrosif ou contraire aux instructions détaillées dans le manuel d'utilisation du Produit;
- Dommage ou panne du Produit en raison d'accidents, ravageurs et parasites, foudre, vent, feu, inondations, actes de Dieu ou toute autre raison hors du contrôle de LGECI ou du fabricant;
- Dommage ou panne résultant d'utilisation inappropriée ou abusive ou d'installation, réparation ou entretien imparfait du Produit. Une réparation imparfaite inclut l'utilisation de pièces non autorisées ou spécifiées par LGECI. Installation ou entretien imparfait inclut toute installation ou entretien contraire aux instructions détaillées au manuel d'utilisation du Produit;
- Dommage ou panne en raison de modification ou altération non autorisée du Produit, ou si utilisé pour fins autres que celle d'appareil ménager domestique, ou dommage ou panne résultant de toute fuite d'eau due à une mauvaise installation du produit;
- Dommage ou panne en raison de courant électrique, tension ou codes de plomberie incorrects;
- Dommage ou panne en raison d'utilisation autre que celle d'appareil ménager domestique normale, incluant, sans limite, l'utilisation commerciale ou industrielle, incluant l'utilisation au bureau commercial ou centre récréatif, ou détaillée autrement au manuel d'utilisation du Produit;
- Dommage ou panne provoqué par le transport et la manipulation, y compris rayures, bosses, écaillage et/ou autre endommagement à la finition du Produit, à moins qu'un tel dommage résulte d'une fabrication ou de matériaux défectueux et qu'il soit signalé à LGECI dans un délai d'une (1) semaine suivant la livraison du Produit;
- Dommage or articles absents de tout Produit démonstrateur, boîte ouverte, réusiné ou escompté;
- Produit réusiné ou tout Produit vendu "Tel quel", "Où est", "Avec tous défauts", ou toute mise en garde similaire;
- Produit dont le numéro de série original ait été retiré, altéré ou ne peut être facilement déterminé à la discrétion de LGECI;
- Augmentation de la facture d'électricité et dépenses additionnelles d'utilité de quelque manière associée au Produit;
- Tout bruit associé au fonctionnement normal du Produit;
- Remplacement des ampoules, des filtres, des fusibles ou de tout autre élément consommable;
- Remplacement de toute pièce n'étant pas originalement incluse avec le Produit;
- Coûts associés au retrait et/ou réinstallation du Produit pour fins de réparation; et
- Tablettes, tiroirs, poignées et accessoires du Produit, sauf les pièces internes ou fonctionnelles couvertes par cette garantie limitée.
- Couverture pour réparations à domicile, pour produit sous garantie, sera fournie si le Produit se trouve dans un rayon de 150 km du centre de service autorisé (ASC) le plus près, tel que déterminé par LG Canada. Si votre Produit est situé à l'extérieur du rayon de 150 km d'un centre de service autorisé, tel que déterminé par LG Canada, il en ira de votre responsabilité d'apporter votre Produit, à vos frais, au centre de service (ASC) pour réparation sous garantie.

### **Non couvert par la présente garantie limitée**

## 74 GARANTIE LIMITÉE

Problème	Causes possibles et prévention
<b>Fissure dans la surface de cuisson</b>	<p><b>Fissure dans la surface de cuisson provoquée par l'impact d'un objet</b></p>  <p>A B</p> <ul style="list-style-type: none"> <li>• A : Non couvert par la garantie <ul style="list-style-type: none"> <li>- ❶ Bris mécanique</li> </ul> </li> <li>• A : Couvert par la garantie <ul style="list-style-type: none"> <li>- ❷ Fissure primaire ❸ Fissure secondaire</li> </ul> </li> <li>• Ne rangez PAS d'objets lourds au-dessus de la surface de cuisson qui pourraient tomber et l'endommager.</li> <li>• Ne rayez PAS la surface de cuisson afin d'éviter qu'elle se fissure.</li> <li>• Nettoyez la surface de cuisson avant et après son utilisation.</li> </ul> <p><b>REMARQUE</b></p> <ul style="list-style-type: none"> <li>• Dommages causés après la livraison (non couverts par la garantie)</li> </ul>
<b>L'émail de la surface de cuisson s'écaille</b>	<p><b>Utilisation abusive</b></p>  <ul style="list-style-type: none"> <li>• Évitez de cogner la surface de cuisson en émail.</li> </ul>
<b>Corrosion de la vitre de la surface de cuisson</b>	<p><b>Si on ne les nettoie pas immédiatement, les déversements de sucre (conserves de fruits, ketchup, sauce tomate, gelées, fondant au chocolat, bonbons, sirops, chocolat, etc.) ou les objets en plastique et les feuilles d'aluminium fondus peuvent corroder la surface de cuisson. (Non couvert par la garantie.)</b></p> <ul style="list-style-type: none"> <li>• Nettoyez IMMÉDIATEMENT le matériau fondu au moyen d'un grattoir à lame de rasoir en métal.</li> <li>• Pour des raisons de sécurité, veuillez utiliser un gant de cuisine ou un sous-plat lorsque vous grattez la surface de cuisson chaude.</li> </ul>
<b>Le four ou les grilles sont tachés après avoir utilisé du papier d'aluminium.</b>	<p><b>Le papier d'aluminium a fondu dans le four.</b></p>  <ul style="list-style-type: none"> <li>• Ne recouvrez jamais le fond du four et ne recouvrez jamais entièrement une grille de papier d'aluminium ou d'autres matériaux.</li> <li>• Si le papier d'aluminium a déjà fondu dans le four, cela n'aura pas d'incidence sur son fonctionnement.</li> </ul>

Problème	Causes possibles et prévention
<p><b>La surface n'est pas à niveau. Le four bascule.</b></p>	<p><b>La cuisinière n'est pas à niveau.</b></p>  <ul style="list-style-type: none"> <li>• Vérifiez d'abord auprès de l'installateur.</li> <li>• Utilisez un niveau de menuisier ① pour vérifier si l'appareil est à niveau.</li> </ul> <p><b>Le dispositif antibasculement n'est pas adéquatement installé.</b></p>  <ol style="list-style-type: none"> <li>① Environ 0,65 po (16,5 mm)</li> <li>② Mettez les deux côtés de la cuisinière à niveau</li> <li>③ La vis doit entrer dans le bois ou le béton.</li> <li>④ Support antibasculement</li> <li>⑤ Plaque murale</li> </ol> <ul style="list-style-type: none"> <li>① Utilisez un niveau de menuisier pour vérifier si l'appareil est à niveau.</li> <li>• Vérifiez d'abord auprès de l'installateur.</li> </ul>

**Tous coûts et dépenses associés aux circonstances d'exclusion ci-dessus, énumérés sous la rubrique « La présente garantie limitée ne couvre pas ce qui suit », sont à la charge du consommateur.**

AFIN D'OBTENIR SOUTIEN DE GARANTIE ET INFORMATIONS SUPPLÉMENTAIRES VEUILLEZ NOUS APPELER OU VISITER NOTRE SITE WEB :

Appelez le 1 888 542-2623 (7 h à minuit, pendant toute l'année) et sélectionnez l'option appropriée à partir du menu, ou visitez le site web au <http://www.lg.com>.

## PROCÉDURE DE RÈGLEMENT DE DIFFÉREND :

SAUF LA OÙ LA LOI L'INTERDIT, TOUT DIFFÉREND ENTRE VOUS ET LG ASSOCIÉ DE QUELQUE FAÇON QUE CE SOIT À LA PRÉSENTE GARANTIE LIMITÉE SE RÈGLE EXCLUSIVEMENT PAR ARBITRAGE EXÉCUTOIRE PLUTÔT QUE DEVANT UN TRIBUNAL DE DROIT COMMUN. SAUF LA OÙ LA LOI L'INTERDIT, VOUS ET LG RENONCEZ IRRÉVOCABLEMENT À TOUT DROIT À UN PROCÈS DEVANT JURY, AINSI QU'À EXERCER UN RECOURS COLLECTIF OU À Y PARTICIPER.

**Définitions.** Aux fins du présent article, « LG » désigne LG Electronics Canada Inc., ses sociétés mères, ses filiales et ses sociétés affiliées et tous leurs dirigeants, administrateurs, employés, agents, bénéficiaires, détenteurs précédents des mêmes droits, successeurs, cessionnaires et fournisseurs; « différend » et « réclamation » englobent tout différend, réclamation ou litige de quelque sorte que ce soit (fondés sur une responsabilité contractuelle, délictuelle, légale, réglementaire ou découlant d'une ordonnance, par fraude, fausse représentation ou sous quelque régime de responsabilité que ce soit) découlant de quelque façon que ce soit de la vente, des conditions ou de l'exécution du produit ou de la présente Garantie limitée.

**Avis de différend.** Si vous prévoyez engager une procédure d'arbitrage, vous devez d'abord envoyer à LG un préavis écrit d'au moins 30 jours à l'adresse suivante : Équipe juridique LGEI, 20, Norelco Drive, North York, Ontario, Canada M9L 2X6 (l'« avis de différend »). Vous et LG convenez de discuter en toute bonne foi pour tenter de régler le différend à l'amiable. L'avis doit mentionner votre nom, votre adresse, votre

## 76 GARANTIE LIMITÉE

numéro de téléphone, le produit faisant l'objet de la réclamation, la nature de la réclamation et la réparation demandée. Si vous et LG ne parvenez pas à régler le différend dans les 30 jours suivant la réception de l'avis de différend par LG, le différend doit être réglé par arbitrage exécutoire conformément à la procédure établie aux présentes. Vous et LG convenez que, tout au long du processus d'arbitrage, les modalités (y compris les montants) de toute offre de règlement formulée par vous ou par LG ne seront pas divulguées à l'arbitre et resteront confidentielles à moins d'accord contraire entre les deux parties ou que l'arbitre règle le différend.

**Entente d'arbitrage exécutoire et renonciation à un recours collectif.** Si la réclamation n'a pu être réglée dans les 30 jours suivant la réception de l'avis de différend par LG, vous et LG convenez de ne régler les réclamations vous opposant que par arbitrage exécutoire au cas par cas, à moins que vous vous prévaliez de l'option de retrait évoquée plus haut ou que vous résidiez dans un territoire de compétences qui interdit la pleine application de cette clause dans le cas de réclamations de ce type (Dans lequel cas, si vous êtes un consommateur, cette clause ne s'appliquera que si vous acceptez expressément l'arbitrage). Dans la mesure où la loi en vigueur le permet, aucun différend entre vous et LG ne peut être combiné ou regroupé avec un différend faisant intervenir le produit ou la réclamation d'une personne ou entité tierce. Plus précisément et sans limiter la portée de ce qui précède, sauf dans la mesure où une telle interdiction n'est pas autorisée en droit, en aucun cas un différend entre vous et LG ne peut être traité dans le cadre d'un recours collectif. Au lieu de l'arbitrage, les parties peuvent tenter une action individuelle devant une cour des petites créances, mais cette action ne peut pas être intentée dans le cadre d'un recours collectif, sauf dans la mesure où une telle interdiction n'est pas autorisée en droit dans votre province ou territoire de compétences pour une réclamation en cause qui nous oppose.

**Règles et procédures d'arbitrage.** Pour soumettre une réclamation à un arbitrage, l'une des deux parties, soit vous ou LG, doit déposer une demande écrite à cet effet. L'arbitrage est privé et confidentiel et s'effectue selon une procédure simplifiée et accélérée devant un arbitre unique choisi par les parties conformément aux lois et règlements en vigueur portant sur l'arbitrage commercial de votre province ou territoire de résidence. Vous devez également envoyer une copie de votre demande écrite à LG Electronics Canada Inc., Legal Department - Arbitration, 20 Norelco Drive, North York, Ontario M9L 2X6. La présente disposition sur l'arbitrage est régie par les lois et règlements sur l'arbitrage commercial applicables de votre province ou territoire. La sentence arbitrale peut donner lieu à un jugement de n'importe quel tribunal compétent. Toutes les décisions relèvent de l'arbitre, à l'exception des questions associées à la portée et à l'applicabilité de la disposition sur l'arbitrage et à l'arbitrabilité du différend, qui sont du ressort du tribunal. L'arbitre est tenu de respecter les modalités de la présente disposition.

**Droit applicable.** Les lois de votre province ou territoire d'achat régissent la présente Garantie limitée et tout différend entre vous et LG, sauf dans la mesure où de telles lois sont supplantées par des lois fédérales, provinciales ou territoriales applicables ou qu'elles sont incompatibles avec ces dernières. Si l'arbitrage n'est pas autorisé pour régler une réclamation, une poursuite, un différend ou un litige vous opposant à LG, vous et LG vous en remettrez à la compétence exclusive des tribunaux de votre province ou territoire d'achat pour le règlement de la réclamation, de la poursuite, du différend ou du litige vous opposant à LG.

**Frais et coûts.** Aucuns frais ne sont exigibles pour entamer une procédure d'arbitrage. À la réception de votre demande d'arbitrage écrite, LG réglera rapidement la totalité des frais de dépôt de la demande d'arbitrage, sauf si vous réclamez des dommages-intérêts supérieurs à 25 000 \$. Dans ce cas, le paiement de ces frais sera régi par les règles d'arbitrage applicables. Sauf disposition contraire aux présentes, LG paiera tous les frais de dépôt de demande et d'administration ainsi que les honoraires de l'arbitre conformément aux règles d'arbitrage applicables et à la présente disposition sur l'arbitrage. Si vous remportez l'arbitrage, LG réglera vos frais et honoraires juridiques après avoir déterminé s'ils sont raisonnables en se fondant sur des facteurs comme, entre autres, le montant de l'achat et le montant de la réclamation. Si l'arbitre juge que le motif de la réclamation ou les réparations demandées sont futiles ou se fondent sur des motifs déplacés (au regard des lois applicables), le paiement de tous les frais d'arbitrage sera régi par les règles d'arbitrage applicables. Dans un tel cas, vous acceptez de rembourser à LG la totalité des montants versés qu'il vous revient autrement de payer en vertu des règles d'arbitrage applicables. Sauf disposition contraire et si elle remporte l'arbitrage, LG renonce à tous ses droits de vous réclamer des frais et honoraires juridiques.

**Audience et lieu de l'arbitrage.** Si votre réclamation est égale ou inférieure à 25 000 \$, vous pouvez opter pour un arbitrage conduit selon l'une des modalités suivantes uniquement : 1) sur examen des documents remis à l'arbitre, 2) par audience téléphonique ou 3) par audience en personne selon les dispositions des règles d'arbitrage applicables. Si votre réclamation dépasse 25 000 \$, le droit à une audience sera défini par les règles d'arbitrage applicables. Les audiences arbitrales en personne se tiendront à l'endroit le plus

proche et le plus pratique pour les deux parties situé dans votre province ou votre territoire de résidence, sauf si nous convenons mutuellement d'un autre lieu ou d'un arbitrage par téléphone.

**Dissociabilité et renonciation.** Si une partie de la présente Garantie limitée (y compris les présentes procédures d'arbitrage) n'est pas applicable, les dispositions restantes demeurent en vigueur dans la mesure permise par la loi applicable. Le fait de ne pas exiger la stricte exécution d'une disposition de la présente Garantie limitée (y compris les présentes procédures d'arbitrage) ne signifie pas que nous ayons renoncé ni que nous ayons l'intention de renoncer à toute disposition ou partie de la présente Garantie limitée.

**Option de retrait.** Vous pouvez vous retirer de la présente procédure de règlement de différend. Dans ce cas, ni vous ni LG ne pouvez imposer à l'autre partie de participer à une procédure d'arbitrage. Pour vous prévaloir de l'option de retrait, vous devez envoyer un préavis à LG dans les 30 jours civils à compter de la date de l'achat du produit par le premier acheteur (i) dans un courriel adressé à [optout@lge.com](mailto:optout@lge.com), et dont la ligne d'objet porte la mention « Retrait de l'arbitrage » ou (ii) en composant le 1- 800-980-2973. Que ce soit par courriel ou par téléphone, vous devrez donner (a) votre nom et votre adresse; (b) la date d'achat du produit; (c) le nom ou le numéro de modèle du produit et (d) le numéro de série (qu'il est possible de trouver (i) sur le produit ou (ii) en ligne au [https://www.lg.com/ca\\_en/support/repair-service/schedule-repair-continued](https://www.lg.com/ca_en/support/repair-service/schedule-repair-continued) en cliquant sur « Trouver mes numéros de modèle et de série »).

Si vous vous prévallez de l'option de retrait, les lois de votre province ou territoire de résidence régissent la présente Garantie limitée et tout différend entre nous, sauf dans la mesure où de telles lois sont supplantées par des lois fédérales, provinciales ou territoriales applicables ou sont incompatibles avec ces dernières. Si l'arbitrage n'est pas autorisé pour régler une réclamation, une poursuite, un différend ou un litige nous opposant, nous nous en remettons à la compétence exclusive des tribunaux de votre province ou territoire de compétence pour le règlement de la réclamation, de la poursuite, du différend ou du litige nous opposant

Vous ne pouvez vous prévaloir de l'option de retrait que de la manière décrite plus haut (c'est-à-dire par courriel ou par téléphone). Aucun autre type d'avis ne sera pris en compte pour le retrait de la présente procédure de règlement de différend. Le fait de se retirer de la présente procédure de règlement de différend ne compromet d'aucune façon la protection accordée en vertu de la Garantie limitée, et vous continuerez à jouir de tous les avantages prévus par la Garantie limitée. Si vous conservez ce produit sans vous prévaloir de l'option de retrait, vous acceptez les conditions générales de la disposition sur l'arbitrage énoncée ci-dessus.

**Conflit de modalités.** En cas de conflit ou d'incompatibilité entre les modalités de la présente garantie limitée et le contrat de licence d'utilisation (CLU) en ce qui concerne le règlement des différends, les modalités de la présente garantie limitée contrôlent et régissent les droits et obligations des parties et ont préséance sur le CLU.



LG Customer Information Center

For inquiries or comments,  
visit [www.lg.com](http://www.lg.com) or call:

1-800-243-0000 U.S.A.  
1-888-542-2623 CANADA

Register your product Online!

[www.lg.com](http://www.lg.com)