



OWNER'S MANUAL

DRYER

Before beginning installation, read these instructions carefully. This will simplify installation and ensure that the dryer is installed correctly and safely. Leave these instructions near the dryer after installation for future reference.

DLEX8000W DLGX8001W
DLEX8000V DLGX8001V

TABLE OF CONTENTS

3 IMPORTANT SAFETY INSTRUCTIONS

- 3 WHAT TO DO IF YOU SMELL GAS
- 4 BASIC SAFETY PRECAUTIONS
- 4 CALIFORNIA SAFE DRINKING WATER AND TOXIC ENFORCEMENT ACT
- 5 GROUNDING INSTRUCTIONS
- 5 SAFETY INSTRUCTIONS FOR INSTALLATION
- 6 SAFETY INSTRUCTIONS FOR STEAM FUNCTIONS
- 7 SAFETY INSTRUCTIONS FOR CONNECTING ELECTRICITY

8 SPECIAL FEATURES

9 INTRODUCING YOUR DRYER

- 9 Parts
- 9 Accessories
- 10 Control panel features
- 11 Time and status display

12 INSTALLATION INSTRUCTIONS

- 12 Installation steps
- 13 Installation location requirements
- 13 Clearances
- 15 Installation with optional pedestal base or stacking kit
- 16 Leveling the dryer
- 17 To remove the door
- 18 To install the door
- 19 Changing the dryer vent location
- 20 Venting requirement
- 22 Connecting gas dryers
- 24 Connecting electric dryers
- 29 Special requirements for manufactured or mobile homes
- 29 Final installation check
- 30 Installation test (Exhaust check)

32 HOW TO USE

- 32 Operating the dryer
- 33 Cycle guide
- 34 Sorting load
- 34 Loading the dryer
- 34 Check the lint filter before every load
- 35 Cycle setting buttons

- 36 Special functions
- 37 Custom program
- 37 Steam functions
- 39 Steam cycle guide

40 MAINTENANCE

- 40 Regular cleaning

41 TROUBLESHOOTING

- 41 Before calling for service

43 SPECIFICATIONS

44 USING SMARTDIAGNOSIS™

45 OPTIONAL ACCESSORIES

- 45 Stacking kit installation

47 WARRANTY

IMPORTANT SAFETY INSTRUCTIONS

READ ALL INSTRUCTIONS BEFORE USE

⚠️ WARNING

For your safety, the information in this manual must be followed to minimize the risk of fire or explosion, electric shock, or to prevent property damage, injury to persons, or death.

Your Safety and the safety of others it is very important.

We have provided many important safety messages in this manual and on your appliance. Always read and obey all safety messages.



This is the safety alert symbol.

This symbol alerts you to potential hazards that can kill or hurt you and others.

All safety messages will follow the safety alert symbol and either the word DANGER, WARNING or CAUTION.

These words mean:



DANGER

You will be killed or seriously injured if you don't immediately follow instructions.



WARNING

You can be killed or seriously injured if you don't follow instructions.



CAUTION

You may be slightly injured or cause damage to the product if you do not follow instructions.

All safety messages will tell you what the potential hazard is, tell you how to reduce the chance of injury, and tell you what can happen if the instructions are not followed.

- **Do not install a clothes dryer with flexible plastic venting materials. If flexible metal (foil type) duct is installed, it must be of a specific type identified by the appliance manufacturer as suitable for use with clothes dryers. Flexible venting materials are known to collapse, be easily crushed, and trap lint. These conditions will obstruct clothes dryer airflow and increase the risk of fire.**
- **Do not store or use gasoline or other flammable vapors and liquids in the vicinity of this appliance or any other appliances.**
- **Installation and service must be performed by a qualified installer, service agency, or the gas supplier.**
- **Install the clothes dryer according to the manufacturer's instructions and local codes.**
- **Save these instructions.**

WHAT TO DO IF YOU SMELL GAS:

1. **Do not try to light a match or cigarette, or turn on any gas or electrical appliance.**
2. **Do not touch any electrical switches. Do not use any phone in your building.**
3. **Clear the room, building, or area of all occupants.**
4. **Immediately call your gas supplier from a neighbor's phone. Follow the gas supplier's instructions carefully.**
5. **If you cannot reach your gas supplier, call the fire department.**

⚠️ WARNING

This product contains chemicals known to the State of California to cause cancer and birth defects or other reproductive harm.

Wash hands after handling.

IMPORTANT SAFETY INSTRUCTIONS

READ ALL INSTRUCTIONS BEFORE USE

⚠ WARNING

For your safety, the information in this manual must be followed to minimize the risk of fire or explosion, electric shock, or to prevent property damage, injury to persons, or death.

BASIC SAFETY PRECAUTIONS

⚠ WARNING

To reduce the risk of fire, electric shock, or injury to persons when using this appliance, follow basic precautions, including the following:

- Read all instructions before using the dryer.
- Before use, the dryer must be properly installed as described in this manual.
- **Do not place items exposed to cooking oils in your dryer.** Items contaminated with cooking oils may contribute to a chemical reaction that could cause a load to catch fire.
- Do not dry articles that have been previously cleaned in, washed in, soaked in, or spotted with gasoline, dry-cleaning solvents, or other flammable or explosive substances as they give off vapors that could ignite or explode.
- **Do not reach into the dryer if the drum or any other part is moving.**
- Do not repair or replace any part of the dryer or attempt any servicing unless specifically recommended in this Use and Manual or in published user-repair instructions that you understand and have the skills to carry out.
- **Do not tamper with controls.**
- Before the dryer is removed from service or discarded, remove the door to the drying compartment.
- Do not allow children to play on or in the dryer. Close supervision of children is necessary when the dryer is used near children.
- Do not use fabric softeners or products to eliminate static unless recommended by the manufacturer of the fabric softener or product.
- **Do not use heat to dry articles containing foam rubber or similarly textured rubber-like materials.**
- Keep area around the exhaust opening and adjacent surrounding areas free from the accumulation of lint, dust, and dirt.
- The interior of the dryer and exhaust vent should be cleaned periodically by qualified service personnel.
- Do not install or store the dryer where it will be exposed to the weather.
- Always check the inside of the dryer for foreign objects.
- Clean lint screen before or after each load.
- **Do not store plastic, paper, or clothing that may burn** or melt on top of the dryer during operation.

CALIFORNIA SAFE DRINKING WATER AND TOXIC ENFORCEMENT ACT

This act requires the governor of California to publish a list of substances known to the state to cause cancer, birth defects, or other reproductive harm and requires businesses to warn customers of potential exposure to such substances.

Gas appliances can cause minor exposure to four of these substances, namely benzene, carbon monoxide, formaldehyde, and soot, caused primarily by the incomplete combustion of natural gas or LP fuels.

Properly adjusted dryers will minimize incomplete combustion. Exposure to these substances can be minimized further by properly venting the dryer to the outdoors.

IMPORTANT SAFETY INSTRUCTIONS

READ ALL INSTRUCTIONS BEFORE USE

WARNING

For your safety, the information in this manual must be followed to minimize the risk of fire or explosion, electric shock, or to prevent property damage, injury to persons, or death.

GROUNDING INSTRUCTIONS

This appliance must be grounded. In the event of malfunction or breakdown, grounding will reduce the risk of electric shock by providing a path of least resistance for electric current. This appliance must be equipped with a cord having an equipment-grounding conductor and a grounding plug. The plug must be plugged into an appropriate outlet that is properly installed and grounded in accordance with all local codes and ordinances.

Do not modify the plug provided with the appliance. If it will not fit the outlet, have a proper outlet installed by a qualified electrician. This appliance must be connected to a grounded metal, permanent wiring system or an equipment-grounding conductor must be run with the circuit conductors and connected to the equipment-grounding terminal or lead on the appliance. Electric shock can result if the dryer is not properly grounded.

WARNING

Improper connection of the equipment-grounding conductor can result in a risk of electric shock. Check with a qualified electrician or service person if you are in doubt that the appliance is properly grounded.

SAFETY INSTRUCTIONS FOR INSTALLATION

WARNING

To reduce the risk of fire, electric shock, or injury to persons when using this appliance, follow basic precautions, including the following:

- **Properly ground dryer to conform with all governing codes and ordinances.** Follow details in the installation instructions. Electric shock can result if the dryer is not properly grounded.
- **Before use, the dryer must be properly installed** as described in this manual. Electric shock can result if the dryer is not properly grounded.
- **Install and store the dryer where it will not be exposed to temperatures below freezing or exposed to the weather.**
- **All repairs and servicing must be performed by an authorized servicer unless specifically recommended in this Owner's Manual. Use only authorized factory parts.** Failure to follow this warning can cause serious injury, fire, electric shock, or death.
- **To reduce the risk of electric shock, do not install the dryer in humid spaces.** Failure to follow this warning can cause serious injury, fire, electric shock, or death.
- **Connect to a properly rated, protected, and sized power circuit to avoid electrical overload.** Improper power circuit can melt, creating electric shock and/or fire hazard.
- **Remove all packing items and dispose of all shipping materials properly.** Failure to do so can result in death, explosion, fire, or burns.
- **Place dryer at least 18 inches above the floor for a garage installation.** Failure to do so can result in death, explosion, fire, or burns.
- **Keep all packaging from children.** Packaging material can be dangerous for children. There is a risk of suffocation.
- **Do not install near another source of heat such as a stove, cooking oven.** Failure to do so can cause deform, smoke and fire.
- **Do not place candles, smoking materials, or other flammables on top of the product.** Dripping wax, smoke, or fire can result.
- **Remove all protective vinyl film from the product.** Failure to do so can cause product damage, smoke or fire.

IMPORTANT SAFETY INSTRUCTIONS

READ ALL INSTRUCTIONS BEFORE USE

WARNING

For your safety, the information in this manual must be followed to minimize the risk of fire or explosion, electric shock, or to prevent property damage, injury to persons, or death.

SAFETY INSTRUCTIONS FOR INSTALLATION

WARNING

To reduce the risk of injury to persons, follow all industry recommended safety procedures including the use of long sleeved gloves and safety glasses. Failure to follow all of the safety warnings in this manual could result in property damage, injury to persons or death.

Exhaust/Ducting:

- **Gas dryers MUST be exhausted to the outside.** Failure to follow these instructions can result in fire or death.
- **The dryer exhaust system must be exhausted to the outside of the dwelling. If the dryer is not exhausted outdoors, some fine lint and large amounts of moisture will be expelled into the laundry area.** An accumulation of lint in any area of the home can create a health and fire hazard.
- **Use only rigid metal or flexible metal 4-inch diameter ductwork inside the dryer cabinet or for exhausting to the outside. Use of plastic or other combustible ductwork can cause a fire.** Punctured ductwork can cause a fire if it collapses or becomes otherwise restricted in use or during installation.
- **Ductwork is not provided with the dryer, and you should obtain the necessary ductwork locally. The end cap should have hinged dampers to prevent backdraft when the dryer is not in use.** Failure to follow these instructions can result in fire or death.
- **The exhaust duct must be 4 inches (10.2 cm) in diameter with no obstructions. The exhaust duct should be kept as short as possible. Make sure to clean any old ducts before installing your new dryer.** Failure to follow these instructions can result in fire or death.
- **Rigid or semi-rigid metal ducting is recommended for use between the dryer and the wall. In special installations when it is impossible to make a connection with the above recommendations, a UL-listed flexible metal transition duct may be used between the dryer and wall connection only. The use of this ducting will affect drying time.** Failure to follow these instructions can result in fire or death.
- **DO NOT use sheet metal screws or other fasteners which extend into the duct that could catch lint and reduce the efficiency of the exhaust system.** Secure all joints with duct tape. For complete details, follow the Installation Instructions. Failure to follow these instructions can result in fire or death.

SAFETY INSTRUCTIONS FOR STEAM FUNCTIONS

WARNING

To reduce the risk of fire, electric shock, or injury to persons when using this appliance, follow basic precautions, including the following:

- **Do not open the dryer door during steam cycles.** Failure to follow these instructions can result in a burn hazard.
- **Do not dry articles that have been previously cleaned in, washed in, soaked in, or spotted with gasoline, dry-cleaning solvents, or other flammable or explosive substances as they give off vapors that could ignite or explode.** Failure to follow these instructions can result in fire or death.
- **Do not fill the steam feeder with gasoline, dry-cleaning solvents, or other flammable or explosive substances.** Failure to follow these instructions can result in fire or death.
- **Do not touch the steam nozzle in the drum during or after the steam cycle.** Failure to follow these instructions can result in a burn hazard.
- **Do not fill the steam feeder with hot water (over 86 °F/30 °C).** Failure to follow these instructions can result in a burn hazard.

IMPORTANT SAFETY INSTRUCTIONS

READ ALL INSTRUCTIONS BEFORE USE

⚠️ WARNING

For your safety, the information in this manual must be followed to minimize the risk of fire or explosion, electric shock, or to prevent property damage, injury to persons, or death.

SAFETY INSTRUCTIONS FOR CONNECTING ELECTRICITY

⚠️ WARNING

To reduce the risk of fire, electric shock, or injury to persons when using this appliance, follow basic precautions, including the following:

- **Do not, under any circumstances, cut or remove the ground prong from the power cord.** To prevent injury to persons or damage to the dryer, the electrical power cord must be plugged into a properly grounded outlet.
- **For personal safety, this dryer must be properly grounded.** Failure to do so can result in electric shock or injury.
- **Refer to the installation instructions in this manual for specific electrical requirements for your model.** Failure to follow these instructions can create an electric shock hazard and/or a fire hazard.
- **This dryer must be plugged into a properly grounded outlet. Electric shock can result if the dryer is not properly grounded. Have the wall outlet and circuit checked by a qualified electrician to make sure the outlet is properly grounded.** Failure to follow these instructions can create an electric shock hazard and/or a fire hazard.
- **The dryer should always be plugged into its own individual electrical outlet which has a voltage rating that matches the rating plate.** This provides the best performance and also prevents overloading house wiring circuits which could cause a fire hazard from overheated wires.
- **Never unplug your dryer by pulling on the power cord. Always grip plug firmly and pull straight out from the outlet.** The power cord can be damaged, resulting in a risk of fire and electric shock.
- **Repair or replace immediately all power cords that have become frayed or otherwise damaged. Do not use a cord that shows cracks or abrasion damage along its length or at either end.** The power cord can melt, creating an electric shock and/or fire hazard.
- **When installing or moving the dryer, be careful not to pinch, crush, or damage the power cord.** This will prevent injury and prevent damage to the dryer from fire and electric shock.

SAVE THESE INSTRUCTIONS

SPECIAL FEATURES

LARGEST PREMIUM SIZE

The ultra-large stainless steel drum offers superior durability.

EASY-ACCESS REVERSIBLE DOOR

The wide-opening door provides easy access for loading and unloading. The door hinge can be reversed to adjust for installation location.

STEAM FUNCTIONS

LG's steam technology allows you to inject fabrics with a swirling jet of hot steam to refresh clothes, reduce static, simplify ironing and assist in the removal of lightly stained spots. Simply select the STEAM FRESH™ or SpotClean™ cycle, or you can add a Steam option to select cycles.

SMARTDIAGNOSIS™

Should you experience any technical difficulty with your dryer, it has the capability of transmitting data via your telephone to the Customer Information Center. The call center agent records the data transmitted from your machine and uses it to analyze the issue, providing a fast and effective diagnosis.

FLOW SENSE™ DUCT BLOCKAGE SENSING SYSTEM INDICATOR

The FLOW SENSE™ duct blockage sensing system detects and alerts you to blockages in the ductwork that reduce exhaust flow from the dryer. Clean exhaust systems increase efficiency and reduce drying times.

EASY-TO USE CONTROL PANEL

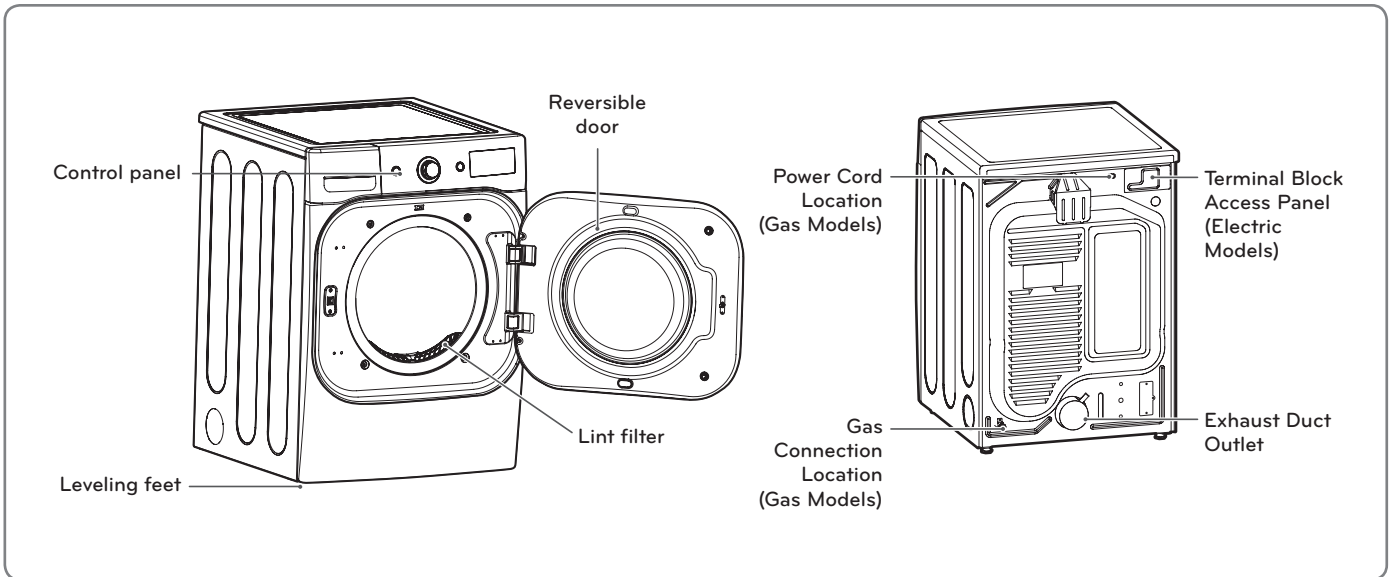
Rotate the cycle selector knob to select the desired dry cycle. Add cycle options or adjust settings with the touch of a button.



Protocol P154
Sanitization Performance of
Residential Clothes dryer

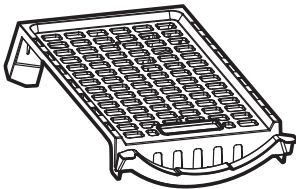
INTRODUCING YOUR DRYER

Parts



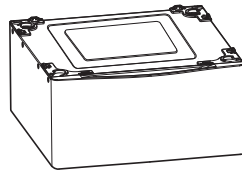
Accessories

Included Accessories



Drying Rack

Optional Accessories



**Pedestal
(sold separately)**



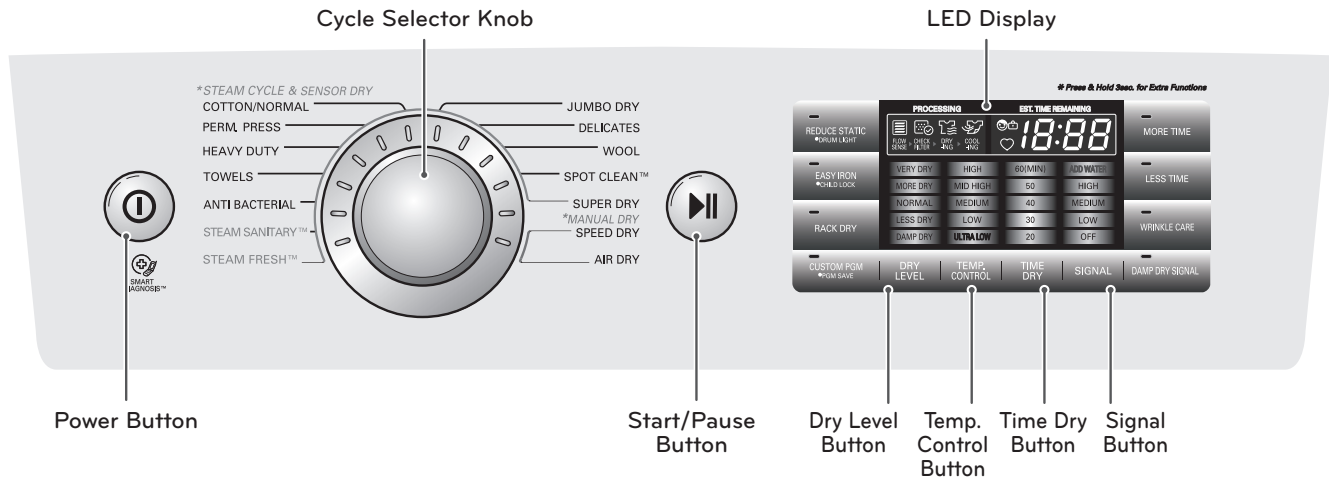
**Stacking Kit
(sold separately)**

NOTE

- Contact LG Customer Service at 1-800-243-0000 (1-888-542-2623 in Canada) if any accessories are missing.
- For your safety and for extended product life, use only authorized components. The manufacturer is not responsible for product malfunction or accidents caused by the use of separately purchased unauthorized components or parts.
- The images in this Manual may be different from the actual components and accessories, and are subject to change by the manufacturer without prior notice for product improvement purposes.

Control panel features

⚠ WARNING: To reduce the risk of fire, electric shock, or injury to persons, read this entire manual, including the Important Safety Instructions, before operating this dryer.



Operation

Button	Description
	<ul style="list-style-type: none"> POWER ON/OFF BUTTON - Press to turn the dryer ON or OFF. Pressing the POWER button during a cycle will cancel that cycle and any settings will be lost.
	<ul style="list-style-type: none"> CYCLE SELECTOR KNOB - Turn this knob to select the desired cycle. Once the desired cycle has been selected, the standard presets will be shown in the display. On MANUAL DRY cycles, these settings can be adjusted using the cycle setting buttons anytime before starting the cycle.
	<ul style="list-style-type: none"> START/PAUSE BUTTON - Press this button to START the selected cycle. If the dryer is running, use this button to PAUSE the cycle without losing the current settings. NOTE: If you do not press the START/PAUSE button to resume a cycle within 4 minutes, the dryer turns off automatically.
	<ul style="list-style-type: none"> MORE TIME/LESS TIME BUTTONS - To adjust the drying time, use these buttons with MANUAL DRY, TIME DRY, and STEAM FRESH™ cycles, as well as the REDUCE STATIC and EASY IRON options. Press the MORE TIME button to increase the selected manual cycle time by a minute; press LESS TIME to decrease the cycle time by a minute.
	<ul style="list-style-type: none"> CYCLE SETTING BUTTONS - Use these buttons to adjust the settings for the selected cycle.
	<ul style="list-style-type: none"> OPTION BUTTONS - The OPTION buttons allow you to select additional cycle options. Not all settings are available for all cycles. Refer to the CYCLE GUIDE section of the manual.
STEAM SANITARY™ STEAM FRESH™	<ul style="list-style-type: none"> STEAM FUNCTIONS - LG's steam technology allows you to inject fabrics with a swirling jet of hot steam to refresh clothes, reduce static, and make ironing easier. Simply select the STEAM FRESH™ cycle, or add a STEAM option to the selected cycles.

Time and status display

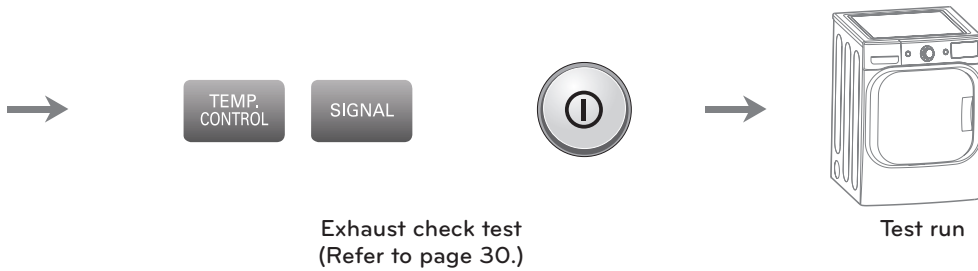
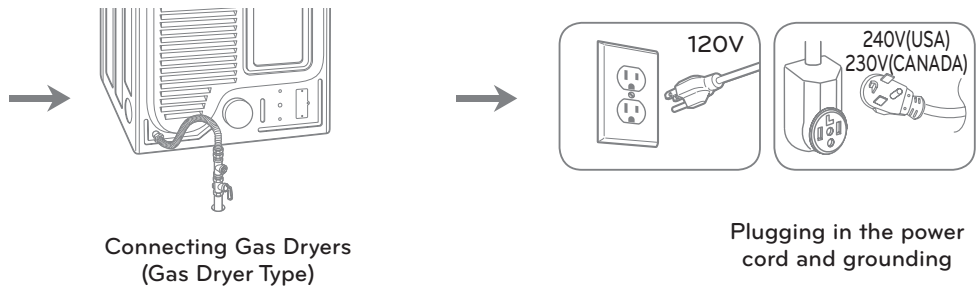
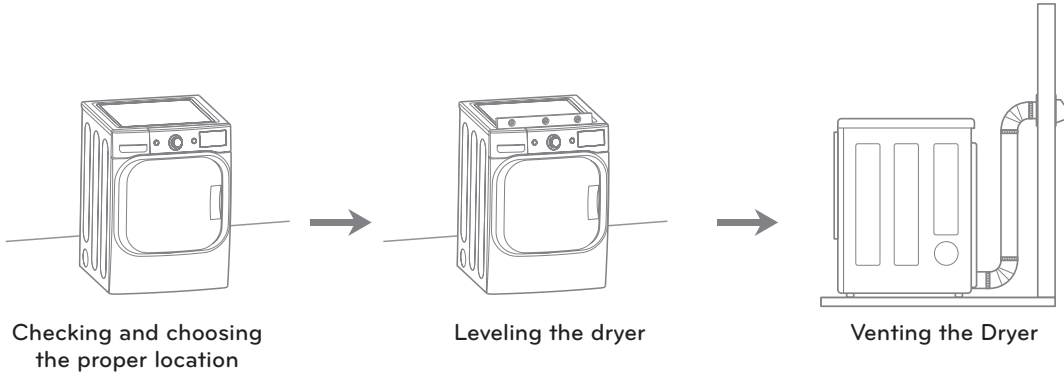
Time and status display shows the settings, estimated time remaining, options, and status messages for your dryer. When the dryer is turned on, the light in the display will illuminate.



Button	Description
	<ul style="list-style-type: none"> • ESTIMATED TIME REMAINING <ul style="list-style-type: none"> - When the START/PAUSE button is pressed, the dryer will display the estimated (SENSOR DRY) or set time (TIME DRY) remaining, and begin tumbling. NOTE: The cycle time on SENSOR DRY cycles may fluctuate as the dryer recalculates drying time for optimal results.
	<ul style="list-style-type: none"> • CYCLE COMPLETION INDICATOR WITH CHECK FILTER REMINDER <ul style="list-style-type: none"> - This portion of the display shows which stage of the drying cycle is currently underway (CHECK FILTER, DRYING, COOLING, or WRINKLE CARE).
	<ul style="list-style-type: none"> • CHILD LOCK INDICATOR <ul style="list-style-type: none"> - When CHILD LOCK is set, the CHILD LOCK indicator will appear and all buttons are disabled except the POWER button. This prevents children from changing settings while the dryer is operating.
	<ul style="list-style-type: none"> • CHECK FILTER REMINDER <ul style="list-style-type: none"> - The display will show CHECK FILTER when the dryer is turned on as a reminder to check the filter. It turns off when the START/PAUSE button is pressed.
	<ul style="list-style-type: none"> • CUSTOM PROGRAM <ul style="list-style-type: none"> - Custom Program allows you to store a customized dry cycle for future use. It allows you to save favorite temperature, dry level, and other options for a cycle, and then recall them at the touch of a button.
	<ul style="list-style-type: none"> • FLOW SENSE™ DUCT BLOCKAGE SENSING SYSTEM INDICATOR <ul style="list-style-type: none"> - The FLOW SENSE™ duct blockage sensing system detects and alerts you to blockages in the ductwork that reduce exhaust flow from the dryer. This improves operating efficiency and helps minimize service calls, saving you money.

INSTALLATION INSTRUCTIONS

Installation steps



Installation location requirements

⚠ WARNING

Read all installation instructions completely before installing and operating your dryer! It is important that you review this entire manual before installing and using your dryer. Detailed instructions concerning electrical connections, gas connections, and exhaust requirements are provided on the following pages.

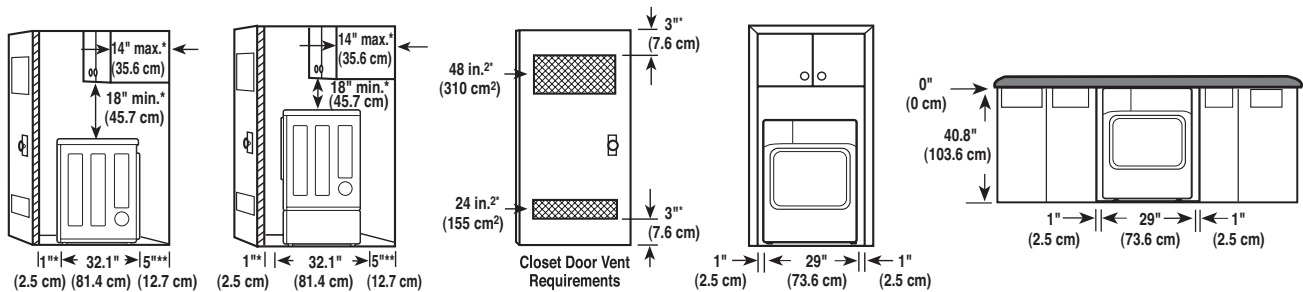
- A location that allows for proper exhaust installation. A gas dryer must be exhausted to the outdoors. See **Venting Requirements(P.20)**.
- A grounded electrical outlet located within 2 ft. (61 cm) of either side of the dryer. See **Electrical Requirements(P.24)**.
- A sturdy floor to support the total dryer weight of 200 lbs (90.7 kg). The combined weight of a companion appliance should also be considered.
- No other fuel-burning appliance can be installed in the same closet as a dryer.

Do not operate your dryer at temperatures below 45°F (7°C). At lower temperatures, the dryer might not shut off at the end of an automatic cycle. This can result in longer drying times. The dryer must not be installed or stored in an area where it will be exposed to water and/or weather. Check code requirements. Some codes limit, or do not permit, installation of the dryer in garages, closets, mobile homes or sleeping quarters. Contact your local building inspector.

ⓘ NOTE

- A level floor with a maximum slope of 1 inch (2.5 cm) under entire dryer. If slope is greater than 1 inch (2.5 cm), install the Extended Dryer Feet Kit. Clothes may not tumble properly, and automatic sensor cycles may not operate correctly if dryer is not level.
- For a garage installation, you will need to place the dryer at least 18 inches (46 cm) above the floor. If using a pedestal, you will need 18 inches (46 cm) to the bottom of the dryer.

Clearances



INSTALLATION SPACING FOR RECESSED AREA OR CLOSET INSTALLATION

The following spacing dimensions are recommended for this dryer. This dryer has been tested for spacing of 0 inches (0 cm) clearance on the sides and rear. Recommended spacing should be considered for the following reasons:

- Additional spacing should be considered for ease of installation and servicing.
 - Additional clearances might be required for wall, door and floor moldings.
 - Additional spacing should be considered on all sides of the dryer to reduce noise transfer.
- For closet installation, with a door, minimum ventilation openings in the top and bottom of the door are required. Louvered doors with equivalent ventilation openings are acceptable.
- Companion appliance spacing should also be considered.

ⓘ NOTE

There should be at least a little space around the dryer (or any other appliance) to eliminate the transfer of vibration from one to the other. Too much vibration could cause the appliances to touch each other, causing paint damage and more noise.

Installation location requirements (Cont.)

⚠ WARNING

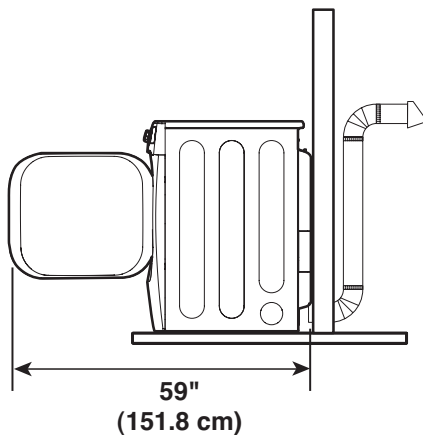
Read all installation instructions completely before installing and operating your dryer! It is important that you review this entire manual before installing and using your dryer. Detailed instructions concerning electrical connections, gas connections, and exhaust requirements are provided on the following pages.

- A location that allows for proper exhaust installation. A gas dryer must be exhausted to the outdoors. See **Venting Requirements(P.20)**.
- A grounded electrical outlet located within 2 ft. (61 cm) of either side of the dryer. See **Electrical Requirements(P.24)**.
- A sturdy floor to support the total dryer weight of 200 lbs (90.7 kg). The combined weight of a companion appliance should also be considered.
- No other fuel-burning appliance can be installed in the same closet as a dryer.

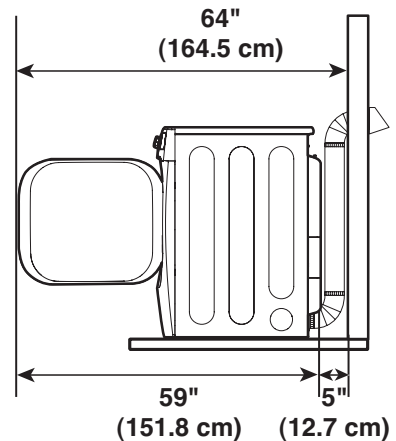
Do not operate your dryer at temperatures below 45°F (7°C). At lower temperatures, the dryer might not shut off at the end of an automatic cycle. This can result in longer drying times. The dryer must not be installed or stored in an area where it will be exposed to water and/or weather. Check code requirements. Some codes limit, or do not permit, installation of the dryer in garages, closets, mobile homes or sleeping quarters. Contact your local building inspector.

Clearances (Space for Using the Dryer.)

If the duct is installed in the wall.



If the duct isn't installed in the wall.



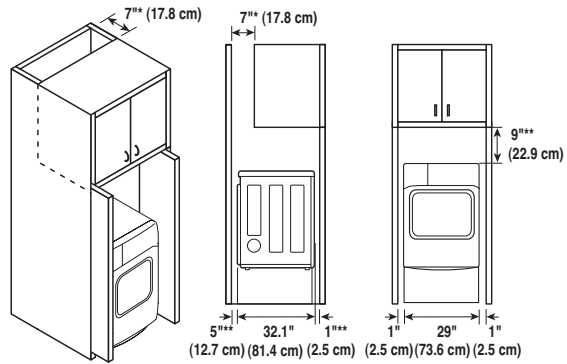
Installation with optional pedestal base or stacking kit

RECOMMENDED INSTALLATION SPACING FOR CABINET INSTALLATION

- For cabinet installation with a door, minimum ventilation openings in the top of the cabinet are required.

*Required spacing

**For side or bottom venting,
2 inches (5.1 cm) spacing is allowed.



CLOSET VENTILATION REQUIREMENTS

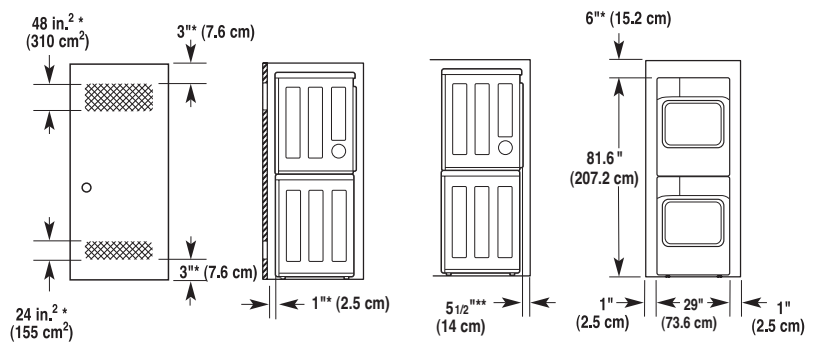
Closets with doors must have both an upper and lower vent to prevent heat and moisture buildup in the closet. One upper vent opening with a minimum opening of 48 sq. in. (310 cm²) must be installed no lower than 6 feet above the floor. One lower vent opening with a minimum opening of 24 sq. in. (155 cm²) must be installed no more than one foot above the floor. One example shown uses vent grilles in the door.

RECOMMENDED INSTALLATION SPACING FOR RECESSED OR CLOSET INSTALLATION, WITH STACKED WASHER AND DRYER

- The dimensions shown are for the recommended spacing.

*Required spacing

**For side or bottom venting,
2 inches (5.1 cm) spacing is allowed.



Leveling the dryer

⚠️ WARNING

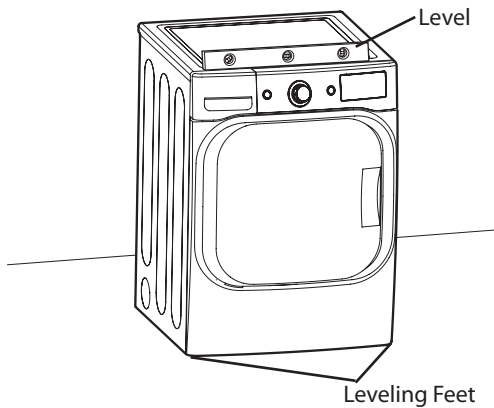
- **To reduce the risk of injury to persons, adhere to all industry recommended safety procedures including the use of long sleeved gloves and safety glasses.** Failure to follow this warning can cause serious injury or death.
- **The appliances are heavy. Two or more people are required when installing the dryer.** Failure to follow this warning can cause serious injury or death.

To ensure that the dryer provides optimal drying performance, it must be level. To minimize vibration, noise, and unwanted movement, the floor must be a perfectly level, solid surface.

📌 NOTE

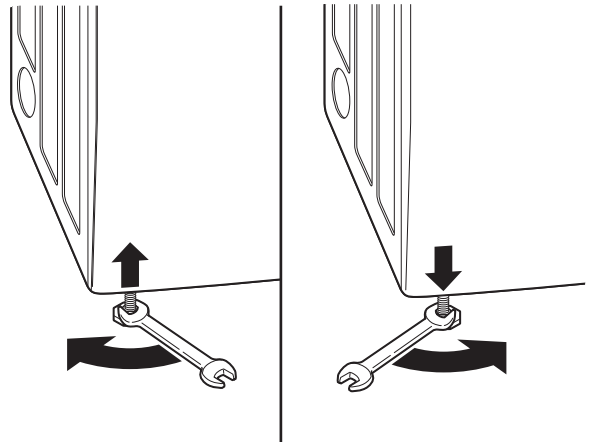
Adjust the leveling feet only as far as necessary to level the dryer. Extending the leveling feet more than necessary can cause the dryer to vibrate.

1. Position the dryer in the final location. Place a level across the top of the dryer.



2. Use an adjustable wrench to turn the leveling feet. Turn clockwise to raise the dryer or counterclockwise to lower it. Raise or lower the leveling feet until dryer is level from side to side and front to back.

Make sure that all 4 leveling feet are in firm contact with the floor.



- All four leveling feet must rest solidly on the floor. Gently push on the top corners of the dryer to make sure that the dryer does not rock from corner to corner.

If you are installing the dryer on the optional pedestal, you must use the leveling feet on the pedestal to level the dryer. The dryer leveling feet should be fully retracted.

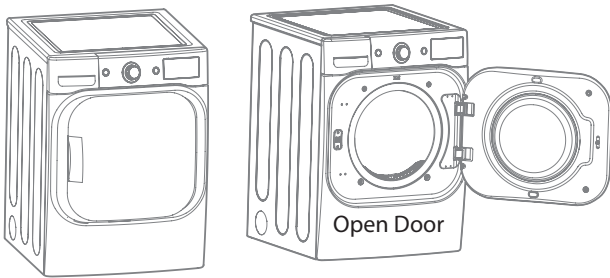
To remove the door

⚠ WARNING

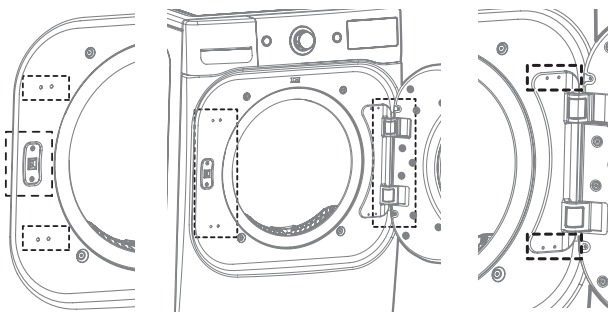
- To avoid damage to the dryer or the door, support the door with a stool or box that fits under the door, or have an assistant support the weight of the door.
- Always reverse the door BEFORE stacking the dryer on top of the washer.
- Avoid dropping the door to avoid damage to the door or the floor.

THE DRYER DOOR IS VERY LARGE AND HEAVY. Failure to follow the instructions below can result in damage to the dryer, property damage or injury to persons.

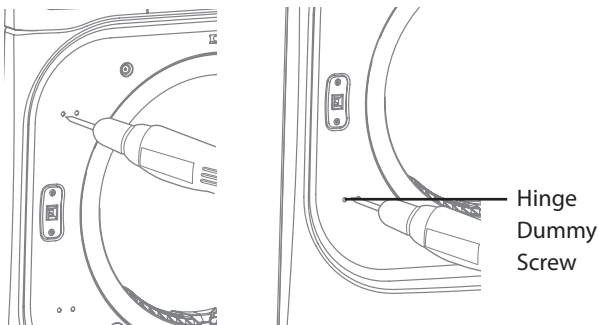
1. Open the door to reverse.



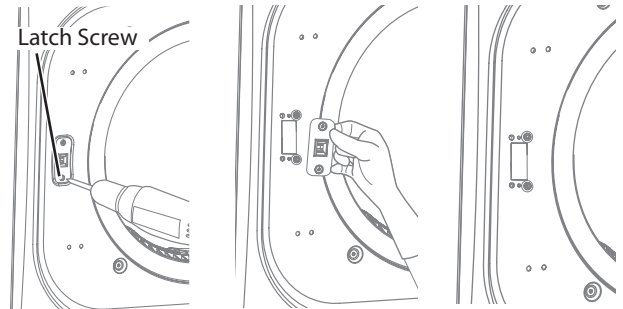
2. Check screws to remove (Left 6, Right 4).



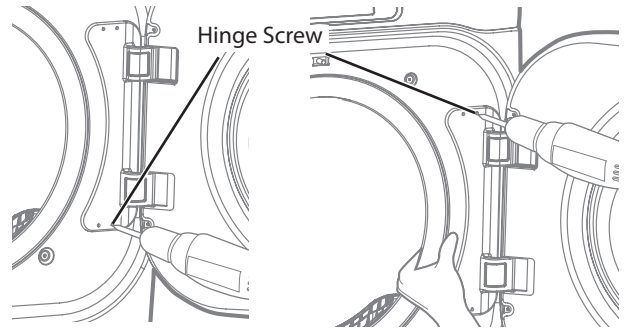
3. Remove four dummy screws by driver.



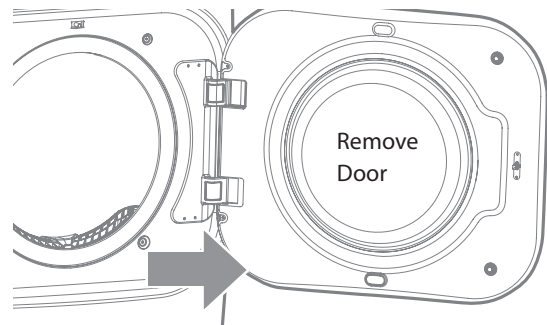
4. Remove two screws and disassembly Latch.



5. Hold on the hinge while remove 2 screws of hinge (to prevent door dropping).



6. Remove door from cabinet cover.



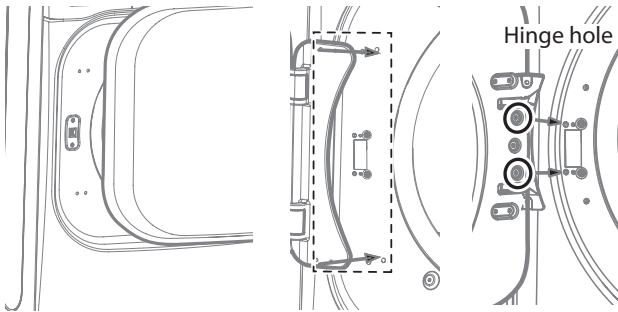
To install the door

⚠ WARNING

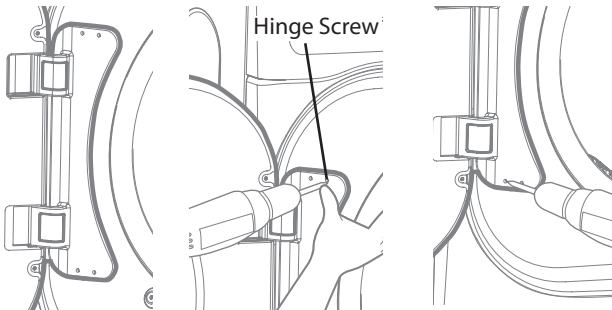
- To avoid damage to the dryer or the door, support the door with a stool or box that fits under the door, or have an assistant support the weight of the door.
- Always reverse the door BEFORE stacking the dryer on top of the washer.
- Avoid dropping the door to avoid damage to the door or the floor.

THE DRYER DOOR IS VERY LARGE AND HEAVY. Failure to follow the instructions below can result in damage to the dryer, property damage or injury to persons.

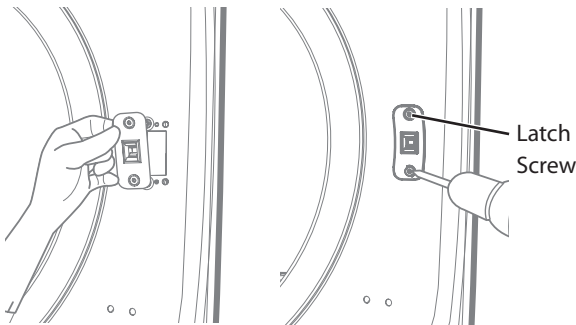
1. Move door to left side and insert a hinge to hinge hole.



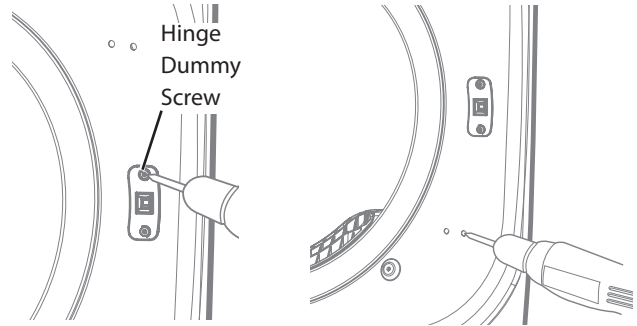
2. Hold on hinge while screw down a hinge (to prevent door dropping).



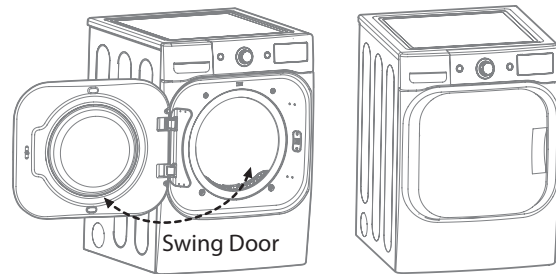
3. Insert latch to right side and install screws.



4. Screw down four dummy screws right side.



5. Check that the door closes and latches properly.



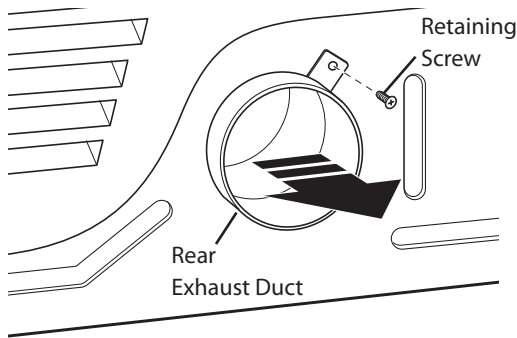
Changing the dryer vent location

⚠️ WARNING

- Use a heavy metal vent.
- Do not use plastic or thin foil duct.
- Clean old ducts before installing this dryer.
- To reduce the risk of injury to persons adhere to all industry recommended safety procedures including the use of long sleeved gloves and safety glasses.
- Failure to follow all of the safety warnings in this manual could result in property damage, injury to person or death.

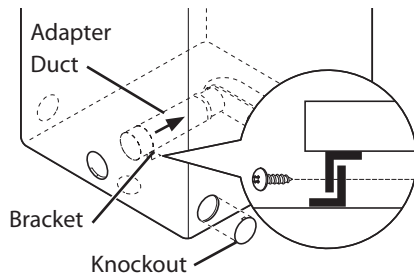
Your new dryer is shipped to vent to the rear. It can also be configured to vent to the bottom or side (right-side venting is not available on gas models). An adapter kit, part number **383EEL9001L**, may be purchased from your LG retailer. This kit contains the necessary duct components to change the dryer vent location.

1. Remove the rear exhaust duct retaining screw. Pull out the exhaust duct.

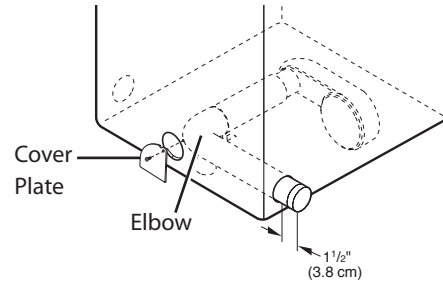


OPTION 1: SIDE VENTING

2. Press the tabs on the knockout and carefully remove the knockout for the desired vent opening (right-side venting is not available on gas models). Press the adapter duct onto the blower housing and secure to the base of the dryer as shown.

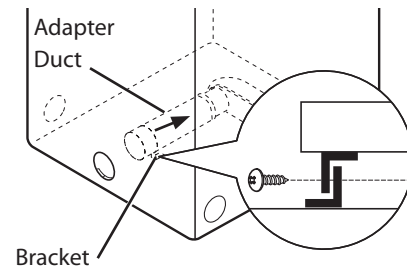


3. Preassemble a 4 inches (10.2 cm) elbow to the next 4-inches (10.2 cm) duct section, and secure all joints with duct tape. Be sure that the male end of the elbow faces AWAY from the dryer. Insert the elbow/duct assembly through the side opening and press it onto the adapter duct. Secure in place with duct tape. Be sure that the male end of the duct protrudes 1½ inches (3.8 cm) to connect the remaining ductwork. Attach cover plate to the back of the dryer with included screw.

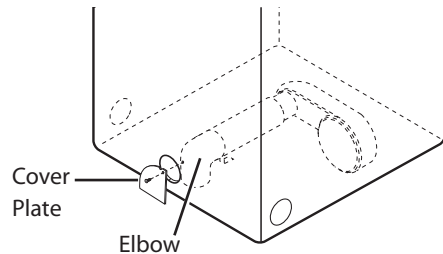


OPTION 2: BOTTOM VENTING

2. Press the adapter duct onto the blower housing and secure to the base of the dryer as shown.



3. Insert the 4 inches (10.2 cm) elbow through the rear opening and press it onto the adapter duct. Be sure that the male end of the elbow faces down through hole in the bottom of the dryer. Secure in place with duct tape. Attach the cover plate to the back of the dryer with included screw.



Venting requirement

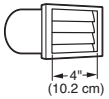
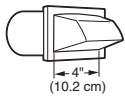
WARNING

To reduce the risk of fire, electric shock, or injury to persons when using this appliance, follow basic precautions, including the following:

- **Do not crush or collapse ductwork.** Failure to follow these instructions can result in fire or death.
- **Do not allow ductwork to rest on or contact sharp objects.** Failure to follow these instructions can result in fire or death.
- **If connecting to existing ductwork, make sure it is suitable and clean before installing the dryer.** Failure to follow these instructions can result in fire or death.
- **Venting must conform to local building codes.** Failure to follow these instructions can result in fire or death.
- **Gas dryers MUST exhaust to the outdoors.** Failure to follow these instructions can result in fire or death.
- **Use only 4-inch (10.2 cm) rigid or flexible metal ductwork inside the dryer cabinet and for venting outside.** Failure to follow these instructions can result in fire or death.
- **To reduce the risk of fire, combustion, or accumulation of combustible gases, DO NOT exhaust dryer air into an enclosed and unventilated area, such as an attic, wall, ceiling, crawl space, chimney, gas vent, or concealed space of a building.** Failure to follow these instructions can result in fire or death.
- **To reduce the risk of fire, DO NOT exhaust the dryer with plastic or thin foil ducting.** Failure to follow these instructions can result in fire or death.
- **The exhaust duct must be 4 inches (10.2 cm) in diameter with no obstructions. The exhaust duct should be kept as short as possible. Make sure to clean any old ducts before installing your new dryer.** Failure to follow these instructions can result in fire or death.
- **Rigid or semirigid metal ducting is recommended for use between the dryer and the wall. In special installations when it is impossible to make a connection with the above recommendations, a UL-listed flexible metal transition duct may be used between the dryer and wall connection only. The use of this ducting will affect drying time.** Failure to follow these instructions can result in fire or death.
- **DO NOT use sheet metal screws or other fasteners which extend into the duct that could catch lint and reduce the efficiency of the exhaust system. Secure all joints with duct tape.** Failure to follow these instructions can result in fire or death.
- **To maximize operating results, please observe the duct length limitations noted in the chart next page.** Failure to follow these instructions can result in fire or death.
- **Ductwork is not provided with the dryer. You should obtain the necessary ductwork locally. The end cap should have hinged dampers to prevent backdraft when the dryer is not in use.** Failure to follow these instructions can result in fire or death.
- **The Total length of flexible metal duct shall not exceed 8 ft. (2.4 m)**
- **In Canada, that only those foil-type flexible ducts, if any, specifically identified for use with the appliance by the manufacturer shall be used.** In the United States, that only those foil-type flexible ducts, if any, specifically identified for use with the appliance by the manufacturer and that comply with the Outline for Clothes Dryer Transition Duct, Subject 2158A, shall be used.

Venting requirement

Ductwork

WALL CAP TYPE	NUMBER OF 90° ELBOWS	MAXIMUM LENGTH OF 4-INCH DIAMETER RIGID METAL DUCT
 4" (10.2 cm)	0	65 ft. (19.8 m)
	1	55 ft. (16.8 m)
	2	47 ft. (14.3 m)
	3	36 ft. (11.0 m)
	4	28 ft. (8.5 m)
 2 1/2" (6.35 cm)	0	55 ft. (16.8 m)
	1	47 ft. (14.3 m)
	2	41 ft. (12.5 m)
	3	30 ft. (9.1 m)
	4	22 ft. (6.7 m)

NOTE

Deduct 6 ft. (1.8 m) for each additional elbow. It is not recommended to use more than four 90° elbows.

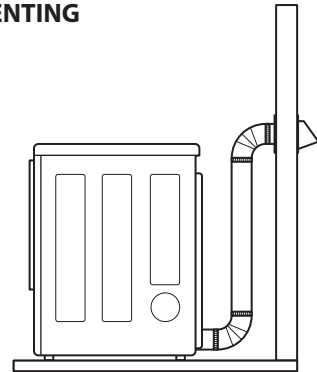
ROUTING AND CONNECTING DUCTWORK

NOTE

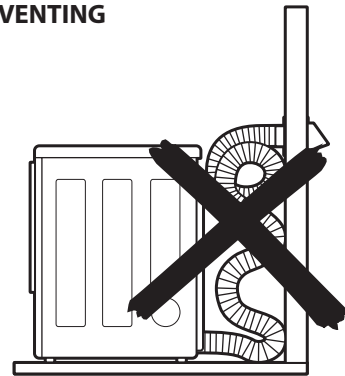
Follow the guidelines below to maximize drying performance and reduce lint buildup and condensation in the ductwork. Ductwork and fittings are NOT included and must be purchased separately.

- Use 4-inch (10.2 cm) diameter rigid or semirigid metal ductwork.
- The exhaust duct run should be as short as possible.
- Use as few elbow joints as possible.
- The male end of each section of exhaust duct must point away from the dryer.
- Use duct tape on all duct joints.
- Insulate ductwork that runs through unheated areas in order to reduce condensation and lint buildup on duct surfaces.
- Failure to exhaust the dryer correctly will void the dryer's warranty.

CORRECT VENTING



INCORRECT VENTING



Connecting gas dryers

WARNING

To reduce the risk of fire, electric shock, or injury to persons when using this appliance, follow basic precautions, including the following:

- **Gas supply requirements:**
As shipped from the factory, this dryer is configured for use with natural gas. It can be converted for use with LP (Liquefied Propane) gas. Gas pressure must not exceed 13 inches of water column.
- **A qualified service or gas company technician must connect the dryer to the gas service.**
Failure to do so can result in fire, explosion, or death.
- **Isolate the dryer from the gas supply system by closing its individual manual shutoff valve during any pressure testing of the gas supply.** Failure to do so can result in fire, explosion, or death.
- **Supply line requirements:**
Your laundry room must have a rigid gas supply line to your dryer. In the United States, an individual manual shutoff valve **MUST** be installed within at least 6 ft. (1.8 m) of the dryer, in accordance with the National Fuel Gas Code ANSI Z223.1 or Canadian gas installation code CSA B149.1. A $\frac{1}{8}$ -inch NPT pipe plug must be installed. Failure to do so can result in fire, explosion, or death
- **If using a rigid pipe, the rigid pipe should be $\frac{1}{2}$ -inch IPS. If acceptable under local codes and ordinances and when acceptable to your gas supplier, $\frac{3}{8}$ -inch approved tubing may be used where lengths are less than 20 ft. (6.1 m). Larger tubing should be used for lengths in excess of 20 ft. (6.1 m).** Failure to do so can result in fire, explosion, or death.
- **Connect the dryer to the type of gas shown on the nameplate.** Failure to do so can result in fire, explosion, or death.
- **To prevent contamination of the gas valve, purge the gas supply of air and sediment before connecting the gas supply to the dryer. Before tightening the connection between the gas supply and the dryer, purge remaining air until the odor of gas is detected.** Failure to do so can result in fire, explosion, or death.
- **DO NOT use an open flame to inspect for gas leaks. Use a noncorrosive leak-detection fluid.** Failure to do so can result in fire, explosion, or death.
- **Use only a new AGA- or CSA-certified gas supply line with flexible stainless steel connectors.** Failure to do so can result in fire, explosion, or death.
- **Securely tighten all gas connections.** Failure to do so can result in fire, explosion, or death.
- **DO NOT attempt any disassembly of the dryer; any disassembly requires the attention and tools of an authorized and qualified service person or company.** Failure to do so can result in fire, explosion, or death.
- **Use a pipe-joint compound that is insoluble in Liquefied Petroleum (LP) gas on all pipe threads.** Failure to do so can result in fire, explosion, or death.

Electrical Requirements for Gas Models Only

WARNING

To reduce the risk of fire, electric shock, or injury to persons when using this appliance, follow basic precautions, including the following:

- **Do not, under any circumstances, cut or remove the third (ground) prong from the power cord.** Failure to follow this warning can result in fire, explosion, or death.
- **For personal safety, this dryer must be properly grounded.** Failure to follow this warning can result in fire, explosion, or death.
- **The power cord of this dryer is equipped with a 3-prong (grounding) plug which mates with a standard 3-prong (grounding) wall outlet to minimize the possibility of electric shock hazard from this appliance.** Failure to follow this warning can result in fire, explosion, or death.
- **This dryer must be plugged into a 60 Hz, 120 VAC, grounded outlet protected by a 15-ampere fuse or circuit breaker.** Failure to follow this warning can result in fire, explosion, or death.
- **Where a standard 2-prong wall outlet is encountered, it is your personal responsibility and obligation to have it replaced with a properly grounded 3-prong wall outlet.** Failure to follow this warning can result in fire, explosion, or death.

Connecting gas dryers (cont.)

⚠ WARNING

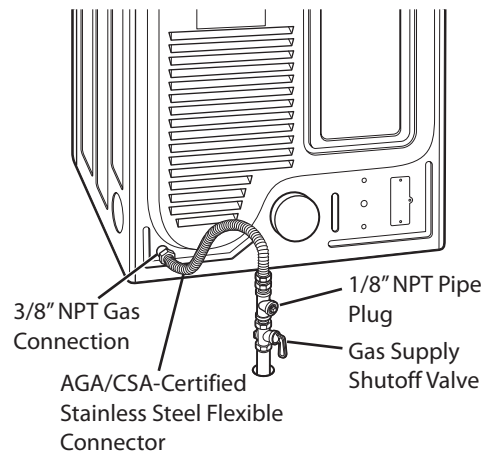
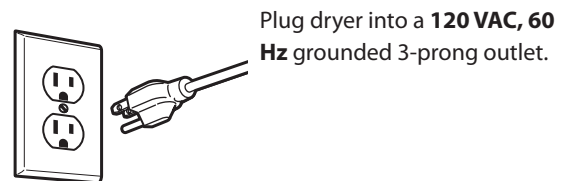
To reduce the risk of fire, electric shock, or injury to persons when using this appliance, follow basic precautions, including the following:

- **Installation and service must be performed by a qualified installer, service agency, or the gas supplier.** Failure to do so can result in fire, explosion, or death.
- **Use only a new stainless steel flexible connector and a new AGA-certified connector.** Failure to do so can result in fire, explosion, or death.
- **A gas shutoff valve must be installed within 6 ft. (1.8 m) of the dryer.** Failure to do so can result in fire, explosion, or death.
- **The dryer is configured for Natural Gas when shipped from the factory. Make sure that the dryer is equipped with the correct burner orifice for the type of gas being used (Natural Gas or Liquefied Petroleum).** Failure to do so can result in fire, explosion, or death.
- **If necessary, the correct orifice (for the LP, orifice kit order part number 383EEL3002D) should be installed by a qualified technician and the change should be noted on the dryer.** Failure to do so can result in fire, explosion, or death.
- **All connections must be in accordance with local codes and regulations.** Failure to do so can result in fire, explosion, or death.
- **Gas dryers MUST exhaust to the outdoors.** Failure to do so can result in fire, explosion, or death.

Connecting the Gas Supply

1. Make sure that the gas supply to the laundry room is turned OFF. Confirm that the type of gas available in your laundry room is appropriate for the dryer. The dryer is prepared for Natural Gas with a $\frac{3}{8}$ - inch NPT gas connection.
2. Remove the shipping cap from the gas connection at the back of the dryer. Be careful not to damage the threads of the gas connector when removing the shipping cap.
3. Connect the dryer to your laundry room's gas supply using a new flexible stainless steel connector with a $\frac{3}{8}$ - inch NPT fitting.
4. Securely tighten all connections between the dryer and your laundry room's gas supply. Turn on your laundry room's gas supply and check all pipe connections (both internal and external) for gas leaks with a noncorrosive leak-detection fluid.

Electrical Connection



High-Altitude Installations

The BTU rating of this dryer is AGA-certified for elevations below 10,000 feet.

If your gas dryer is being installed at an elevation above 10,000 feet, it must be derated by a qualified technician or gas supplier.

Connecting electric dryers

⚠️ WARNING

To help prevent fire, electric shock, serious injury, or death, the wiring and grounding must conform to the latest edition of the National Electrical Code, ANSI/NFPA 70 and all applicable local regulations. Please contact a qualified electrician to check your home's wiring and fuses to ensure that your home has adequate electrical power to operate the dryer.

Electrical Requirements for Electric Models Only

⚠️ WARNING

To reduce the risk of fire, electric shock, or injury to persons when using this appliance, follow basic precautions, including the following:

- **This dryer must be connected to a grounded metal, permanent wiring system, or an equipment-grounding conductor must be run with the circuit conductors and connected to the equipment-grounding terminal or lead on the dryer.** Failure to do so can result in fire, explosion, or death.
- **The dryer has its own terminal block that must be connected to a separate 240 VAC, 60-Hertz, single-phase circuit, fused at 30 amperes (the circuit must be fused on both sides of the line). ELECTRICAL SERVICE FOR THE DRYER SHOULD BE OF THE MAXIMUM RATE VOLTAGE LISTED ON THE NAMEPLATE. DO NOT CONNECT DRYER TO 110-, 115-, OR 120-VOLT CIRCUIT.** Failure to follow these instructions can result in fire, explosion, or death.
- **If branch circuit to dryer is 15 ft. (4.5 m) or less in length, use UL (Underwriters Laboratories) listed No.-10 AWG wire (copper wire only), or as required by local codes. If over 15 ft. (4.5 m), use UL-listed No.-8 AWG wire (copper wire only), or as required by local codes. Allow sufficient slack in wiring so dryer can be moved from its normal location when necessary.** Failure to do so can result in fire, explosion, or death.
- **The power cord (pigtail) connection between wall receptacle and dryer terminal block IS NOT supplied with dryer. Type of pigtail and gauge of wire must conform to local codes and with instructions on the following pages.** Failure to follow these instructions can result in fire, explosion, or death.
- **A 4-wire connection is required for all mobile and manufactured home installations, as well as all new construction after January 1, 1996. A 4-wire connection must be used where local codes do not permit grounding through the neutral wire.** Failure to do so can result in fire, explosion, or death.

⚠️ WARNING

To reduce the risk of fire, electric shock, or injury to persons when using this appliance, follow basic precautions, including the following:

- **Do not modify the plug and internal wire provided with the dryer.**
- **The dryer should be connected to 4-hole outlet.**
- **If it does not fit the outlet, a proper outlet will need to be installed by a qualified electrician.**

⚠️ WARNING

To reduce the risk of fire, electric shock, or injury to persons when using this appliance, follow basic precautions, including the following:

- **Any installation in a manufactured or mobile home must comply with the Manufactured Home Construction and Safety Standards Title 24 CFR, Part 3280 or Standard CAN/CSA Z240 MH and local codes and ordinances.**
- **A 4-wire connection is required for all mobile and manufactured home installations, as well as all new construction after January 1, 1996.** Failure to do so can result in fire, explosion, or death.

Connecting electric dryer(cont.) USA only

⚠ WARNING

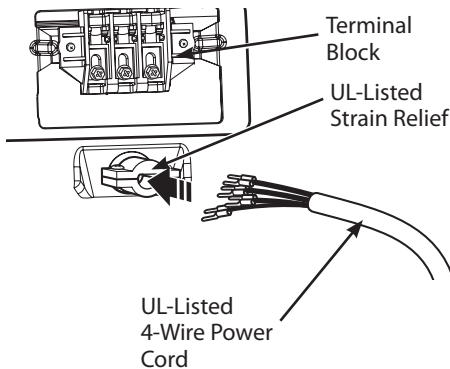
- Connect the power cord to the terminal block. Connect each power cord wire to the terminal block screw that has the same colored wire. For example, connect the black power cord wire to the terminal block screw with the black wire. Failure to follow these instructions may result in a short or overload, fire, explosion, or death.
- Grounding through the neutral conductor is prohibited for: (1) new branch-circuit installations, (2) mobile homes, (3) recreational vehicles, and (4) areas where local codes prohibit grounding through the neutral conductor.



Four-Wire connection for electric dryers: Power cord

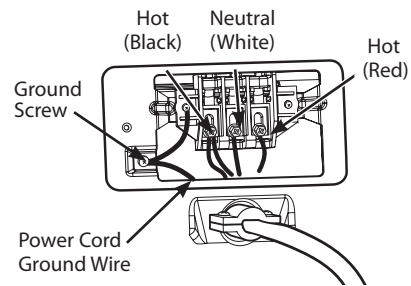
- A 4-wire connection is required for all mobile and manufactured home installations, as well as all new construction after January 1, 1996.
- A UL-listed strain relief is required.

1. Remove the terminal block access cover on the upper back of the dryer. Install a UL-listed strain relief into the power cord through-hole; then thread a UL-listed, **30 A, 240 V, 4-wire, #10 AWG-minimum copper** conductor power cord through the strain relief.



- Use a **30 A, 240 V, UL-listed power cord with #10 AWG-minimum copper** conductor and closed loop or forked terminals with upturned ends.

2. Transfer the dryer's ground wire from behind the green ground screw to the center screw of the terminal block. Attach the two hot leads of the power cord to the outer terminal block screws. Attach the white neutral wire to the center terminal block screw. Attach the power cord ground wire to the green ground screw. **TIGHTEN ALL SCREWS SECURELY.** Reinstall the terminal block access cover.



Connecting electric dryer(cont.) USA only

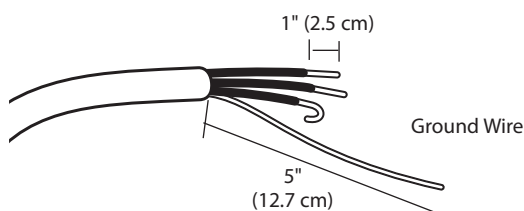
⚠ WARNING

- Connect the power cord to the terminal block. Connect each power cord wire to the terminal block screw that has the same colored wire. For example, connect the black power cord wire to the terminal block screw with the black wire. Failure to follow these instructions may result in a short or overload, fire, explosion, or death.
- Grounding through the neutral conductor is prohibited for: (1) new branch-circuit installations, (2) mobile homes, (3) recreational vehicles, and (4) areas where local codes prohibit grounding through the neutral conductor.

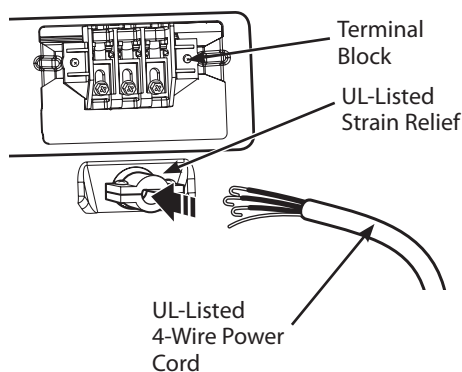
Four-Wire connection for electric dryers: Direct wire

- A 4-wire connection is required for all mobile and manufactured home installations, as well as all new construction after January 1, 1996.
- A UL-listed strain relief is required.

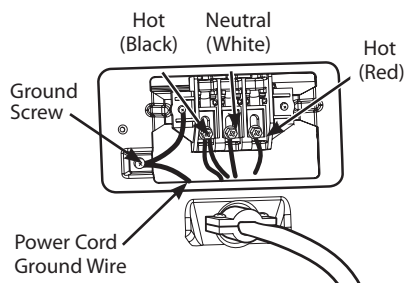
1. Remove 5 inches (12.7 cm) of the outer covering from the wire. Remove 5 inches of insulation from the ground wire. Cut off approximately 1½ inches (3.8 cm) from the other three wires and strip 1 inch (2.5 cm) insulation from each wire. Bend the ends of the three shorter wires into a hook shape.



2. Remove the terminal block access cover on the upper back of the dryer. Install a UL-listed strain relief into the power cord through-hole; then thread the power cable prepared in Step 1 through the strain relief.



- Use UL-listed **4-wire #10 AWG-minimum copper** conductor cable.
 - Allow at least 5 ft. (1.5 m) length to allow for removal and reinstallation of the dryer.
3. Transfer the dryer's ground wire from behind the green ground screw to the center screw of the terminal block. Attach the two hot leads of the power cable to the outer terminal block screws. Attach the white neutral wire to the center terminal block screw. Attach the power cable ground wire to the green ground screw. **TIGHTEN ALL SCREWS SECURELY.** Reinstall the terminal block access cover.



Connecting electric dryer(cont.) USA only

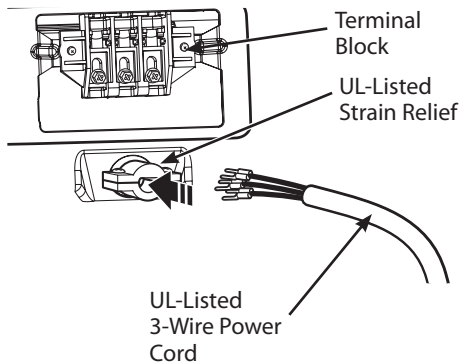
⚠ WARNING

- Connect the power cord to the terminal block. Connect each power cord wire to the terminal block screw that has the same colored wire. For example, connect the black power cord wire to the terminal block screw with the black wire. Failure to follow these instructions may result in a short or overload, fire, explosion, or death.
- Grounding through the neutral conductor is prohibited for: (1) new branch-circuit installations, (2) mobile homes, (3) recreational vehicles, and (4) areas where local codes prohibit grounding through the neutral conductor.

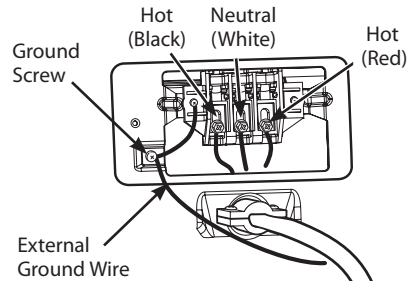


Three-Wire connection for electric dryers: Power cord

- A 3-wire connection is NOT permitted on new construction after January 1, 1996.
 - A UL-listed strain relief is required.
1. Remove the terminal block access cover on the upper back of the dryer. Install a UL-listed strain relief into the power cord through-hole; then thread a UL-listed, **30 A, 240 V, 3-wire, #10 AWG-minimum copper** conductor power cord through the strain relief.



- Use a **30 A, 240 V, UL-listed power cord with #10 AWG-minimum copper** conductor and closed loop or forked terminals with upturned ends.
2. Attach the two hot leads of the power cord to the outer terminal block screws. Attach the neutral wire to the center terminal block screw. Connect the external ground (if required by local codes) to the green ground screw. **TIGHTEN ALL SCREWS SECURELY.** Reinstall the terminal block access cover.



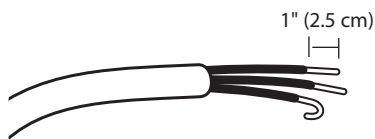
Connecting electric dryer(cont.) USA only

⚠ WARNING

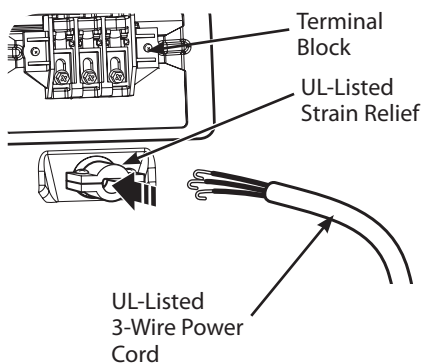
- Connect the power cord to the terminal block. Connect each power cord wire to the terminal block screw that has the same colored wire. For example, connect the black power cord wire to the terminal block screw with the black wire. Failure to follow these instructions may result in a short or overload, fire, explosion, or death.
- Grounding through the neutral conductor is prohibited for: (1) new branch-circuit installations, (2) mobile homes, (3) recreational vehicles, and (4) areas where local codes prohibit grounding through the neutral conductor.

Three-Wire connection for electric dryers: Direct wire

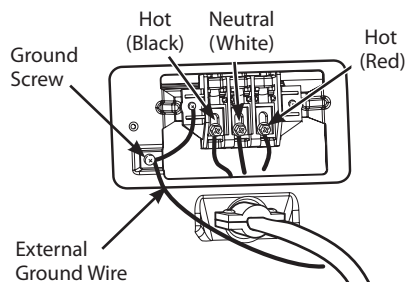
- A 3-wire connection is NOT permitted on new construction after January 1, 1996.
 - A UL-listed strain relief is required.
1. Remove 3½ inches (8.9 cm) of the outer covering from the wire. Strip 1 inch (2.5 cm) insulation from each wire. Bend the ends of the three wires into a hook shape.



2. Remove the terminal block access cover on the upper back of the dryer. Install a UL-listed strain relief into the power cord through-hole; then thread the power cable prepared in Step 1 through the strain relief.



- Use UL-listed **3-wire #10 AWG-minimum copper** conductor cable.
 - Allow at least 5 ft. (1.5 m) length to allow for removal and reinstallation of the dryer.
3. Attach the two hot leads of the power cord to the outer terminal block screws. Attach the neutral wire to the center terminal block screw. Connect the external ground (if required by local codes) to the green ground screw. **TIGHTEN ALL SCREWS SECURELY.** Reinstall the terminal block access cover.



Special requirements for manufactured or mobile homes

Any installation in a manufactured or mobile home must comply with the Manufactured Home Construction and Safety Standards Title 24 CFR, Part 3280 or Standard CAN/CSA Z240 MH and local codes and ordinances. If you are uncertain whether your proposed installation will comply with these standards, please contact a service and installation professional for assistance.

- A gas dryer must be permanently attached to the floor.
- The electrical connection for an electric dryer must be a 4-wire connection. More detailed information concerning the electrical connection is provided in the section Connecting Electric Dryers.
- To reduce the risk of combustion and fire, the dryer must be vented to the outside.
- DO NOT vent the dryer under a manufactured home or mobile home.
- Electric dryers may be vented to the outside using the back, left, right, or bottom panel.
- Gas dryers may be vented to the outside using the back, left, or bottom panel. Gas dryers may not be vented to the outside using the right side panel because of the burner housing.
- The dryer exhaust duct must be affixed securely to the manufactured or mobile home structure, and the exhaust duct must be made of a material that will resist fire and combustion. It is recommended that you use a rigid or flexible metal duct.
- DO NOT connect the dryer exhaust duct to any other duct, vent, chimney, or other exhaust duct.
- Make sure the dryer has adequate access to outside fresh air to ensure proper operation. The opening for outside fresh air must be at least 25 in² (163 cm²).
- It is important that the clearance of the duct from any combustible construction be at least 2 inches (5 cm), and when venting the dryer to the outdoors, the dryer can be installed with a clearance of 1 inch (2.5 cm) at the sides and back of the dryer.
- Please be aware that venting materials are not supplied with the dryer. You should obtain the venting materials necessary for proper installation.

Final installation check

Once you have completed the installation of the dryer and it is in its final location, confirm proper operation with the following tests and Installation Test (Exhaust check) on the following page.

Testing dryer heating

GAS MODELS

Close the dryer door, press the ON/OFF button to turn the dryer on, and start the dryer on a heat setting. When the dryer starts, the igniter should ignite the main burner.

NOTE

If all air is not purged from the gas line, the gas igniter may turn off before the main burner ignites. If this happens, the igniter will reattempt gas ignition after approximately two minutes.

Electric models

Close the dryer door, press the ON/OFF switch to turn the dryer on, and start the dryer on a heat setting. The exhaust air should be warm after the dryer has been operating for 3 minutes.

Checking airflow

Effective dryer operation requires proper airflow.

The adequacy of the airflow can be measured by evaluating the static pressure. Static pressure in the exhaust duct can be measured with a manometer, placed on the exhaust duct approximately 2 ft. (60.9 cm) from the dryer.

Static pressure in the exhaust duct should not exceed 0.6 inches (1.5 cm). The dryer should be checked while the dryer is running with no load.

Checking levelness

Once the dryer is in its final location, recheck the dryer to be sure it is level. Make sure it is level front to back and side to side, and that all 4 leveling feet are firmly on the floor.

Installation test (Exhaust check)

Once you have completed the installation of the dryer, use this test to make sure the condition of the exhaust system is adequate for proper operation of the dryer. This test should be performed to alert you to any serious problems in the exhaust system of your home.

- Your dryer features FLOW SENSE™, an innovative sensing system that automatically detects blockages and restrictions in dryer ductwork. Keeping ductwork clean of lint buildup and free of restrictions allows clothes to dry faster and reduces energy use.

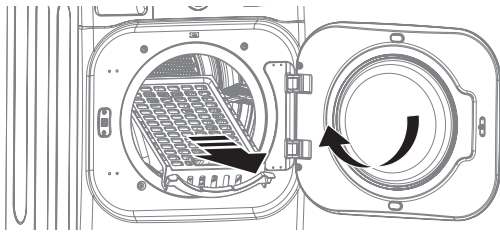
NOTE

The dryer should be cool before starting this test. If the dryer was warmed up during installation, run the AIR DRY cycle for a few minutes to reduce the interior temperature.

To activate the Installation test:

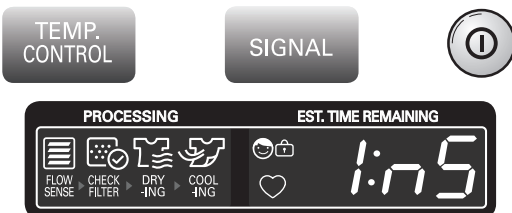
1. Remove the drying rack and literature, and then close the door.

Do not load anything in the drum for this test, as it may affect the accuracy of the results.



2. Press and hold the SIGNAL and TEMP. CONTROL buttons and then press the POWER button.

This button sequence activates the installation test. The code **1:15** will display if the activation is successful.



3. Press START/PAUSE button.

The dryer will start the test, which will last about two minutes. The heater will be turned on and the temperatures in the drum will be measured.



4. Check the display for results.

During the two minutes test cycle, monitor the FLOW SENSE™ display on the control panel. If no bars are displayed, when the cycle ends, the exhaust system is adequate. If the exhaust system is severely restricted, the display will show four bars. Other problems may also be shown with error codes. Refer to the next page for error code details and solutions.



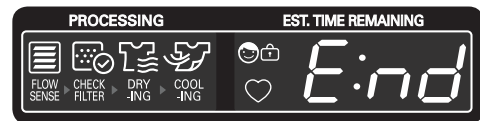
NO BARS:
OK



FOUR BARS:
RESTRICTED

5. END of Cycle.

At the end of the test cycle, **End** will display. The test cycle will end and the dryer will shut off automatically after a short delay.



Installation test (Exhaust check) (cont.)

- Check the Error Code before you call for service

Error Code	Possible Causes	Solutions
tE1 or tE2	• Temperature sensor failure	• Turn off the dryer and call for service.
HS	• Humidity Sensor failure.	• Turn off the dryer and call for service.
PS or PF or nP	<ul style="list-style-type: none"> • Electric dryer power cord is not connected correctly, or house power supply is incorrect. • House fuse is blown, circuit breaker has tripped, or power outage has occurred. 	<ul style="list-style-type: none"> • Check the power supply or the connection of power cord to the terminal block. Refer to the Connecting Electric Dryers section of this manual for complete instructions. • Reset circuit breaker or replace fuse. Do not increase the fuse capacity. If the problem is a circuit overload, have it corrected by a qualified electrician.

• Check the duct condition

If the test displays four bars, check the exhaust system for restrictions and damage. Repair or replace the exhaust system as needed.

! NOTE

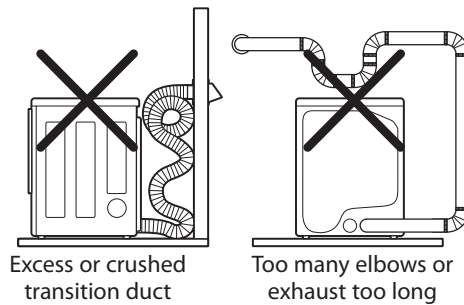
When the dryer is first installed, this test should be performed to alert you to any existing problems with the exhaust duct in your home. However, since the test performed during normal operation provides more accurate information on the condition of the exhaust duct than does the installation test, the number of bars displayed during the two tests may not be the same.

Do not interrupt the test cycle, as this could result in the wrong results.

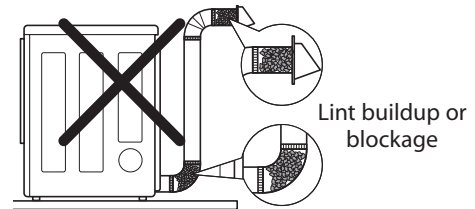
Even if no bars are displayed during the test cycle, some restrictions may still be present in the exhaust system. Refer to the Venting the Dryer section of this manual for complete exhaust system and venting requirements.

Restricted or Blocked Airflow

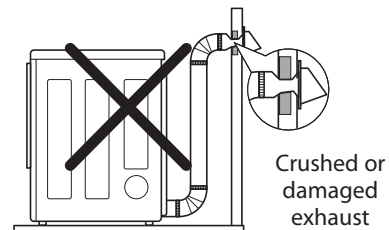
Avoid long runs or runs with multiple elbows or bends.



Check for blockages and lint buildup.



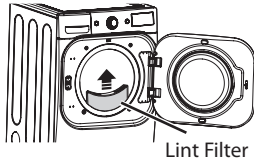
Make sure the ductwork is not crushed or restricted.



HOW TO USE

Operating the dryer

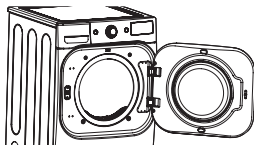
1



CLEAN THE LINT FILTER

If the lint filter has not already been cleaned, lift out the filter and remove the lint from the last load. This will help ensure the fastest and most efficient drying performance.

2



LOAD THE DRYER

Load the dryer with the wet laundry from the washer. If the load is extra large, you may need to divide it into smaller loads for proper performance and fabric care.

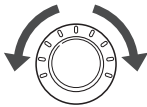
3



TURN ON THE DRYER

Press the POWER button to turn on the dryer. The cycle LEDs will illuminate and a signal will sound, if turned on. Refer to page 10.

4



SELECT A CYCLE

Turn the cycle selector knob either direction until the LED for the desired cycle is on. The preset temperature, dry level, and option settings for that cycle will be shown. Refer to page 32. Default settings for the selected cycle can now be changed if desired. This can be done using the cycle modifier buttons as shown on page 34. Cycle options can be added using the option buttons as shown on page 34-35.

NOTE

To protect your garments not every dryness level, temperature, or option is available with every cycle. See the Cycle Guide for details.

5



BEGIN CYCLE

Press the START/PAUSE button to begin the cycle. The cycle can be paused at any time either by opening the door or by pressing the START/PAUSE button. If the cycle is not restarted within 4 minutes, the dryer will shut off and the cycle settings will be lost.

6



END OF CYCLE

When the cycle is finished, the chime will sound if it is set. Remove your clothing from the dryer immediately to reduce wrinkling. If WRINKLE CARE is selected, the dryer will tumble briefly every few minutes to help prevent wrinkles from setting in the clothes.

Cycle guide

○ = Available option

Cycle	Fabric Type	Dry Level	Temperature	Time in Min.	More Time/ Less Time	Wrinkle Care	Damp Dry Signal	Reduce Static	Easy Iron
STEAM FRESH™	Comforter, shirts, trouser (except especially delicate fabrics)	OFF	MID HIGH	20	○	○		○	○
			ADJUSTABLE	ADJUSTABLE					
STEAM SANITARY™	Comforter, bedding, children' clothing	OFF	HIGH	39		○			
ANTI BACTERIAL	Do not use this cycle with delicate fabrics.	VERY	HIGH	70		○			
WOOL	Wool Fabric	NORMAL	ULTRA LOW	26		○			
SPOT CLEAN™	Shirt	OFF	HIGH	22		○			
			ADJUSTABLE						
JUMBO DRY	Comforters, pillows, shirt	NORMAL	MEDIUM	85		○			
		ADJUSTABLE							
PERM. PRESS	Permanent press, synthetic items	NORMAL	LOW	32		○	○	○	○
		ADJUSTABLE							
COTTON/ NORMAL	Work clothes, corduroys, etc.	NORMAL	MEDIUM	41		○	○	○	○
		ADJUSTABLE							
HEAVY DUTY	Jeans, heavyweight items	NORMAL	HIGH	54		○	○	○	○
		ADJUSTABLE							
DELICATES	Lingerie, sheets, blouses	NORMAL	LOW	28		○	○	○	○
		ADJUSTABLE							
TOWELS	Denims, towels, heavy cottons	NORMAL	MID HIGH	55		○	○	○	○
		ADJUSTABLE							
SPEED DRY	For small loads with short drying times	OFF	HIGH	25	○	○		○	○
			ADJUSTABLE	ADJUSTABLE					
AIR DRY	For items that require heat-free drying such as plastics or foam filled items	OFF	NO HEAT	30	○	○			
				ADJUSTABLE					
SUPER DRY	Work clothes, corduroys, etc.	VERY	MEDIUM	59		○			

Sensor Dry Cycles

Sensor Dry cycles utilize LG's unique dual sensor system to detect and compare the moisture level in clothes and in the air and adjust the drying time as needed to ensure superior results. The dryer automatically sets the dryness level and temperature at the recommended setting for each cycle. The estimated time remaining will be shown in the display.

NOTE

To protect your garments not every dryness level, temperature, or option is available with every cycle. See the Cycle Guide for details.

Manual Dry Cycles

Use Manual Dry cycles to select a specific amount of drying time and a drying temperature. When a Manual Dry cycle is selected, the ESTIMATED TIME REMAINING display shows the actual time remaining in your cycle. You can change the actual time in the cycle by pressing MORE TIME or LESS TIME.



Certified by NSF

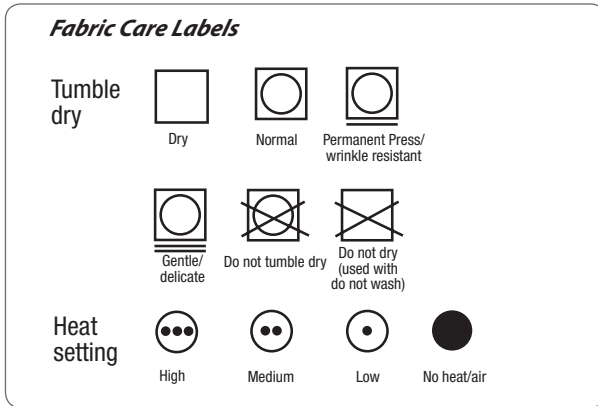
NSF International (formerly the National Sanitation Foundation), certifies that ANTI BACTERIAL cycle reduces 99.9% of bacteria on laundry, and none of bacteria will carry over onto the next laundry load.

Following are instructions for starting and using your new dryer. Please refer to specific sections of this manual for more detailed information.

Sorting load

Fabric Care Labels

Most articles of clothing feature fabric care labels that include instructions for proper care.



Grouping Similar Items

For best results, sort clothes into loads that can be dried with the same drying cycle.

Different fabrics have different care requirements, and some fabrics will dry more quickly than others.

Loading the Dryer

⚠ WARNING

To reduce the risk of fire, electric shock, or injury to persons when using this appliance, follow basic precautions, including the following:

- **Check all pockets to make sure that they are empty. Items such as clips, pens, coins, and keys can damage both your dryer and your clothes. Flammable objects such as lighters or matches could ignite, causing a fire.** Failure to do so can result in fire, explosion, or death.
- **Never dry clothes that have been exposed to oil, gasoline, or other flammable substances. Washing clothes will not completely remove oil residues.** Failure to obey this warning can result in fire, explosion, or death.

ⓘ NOTE

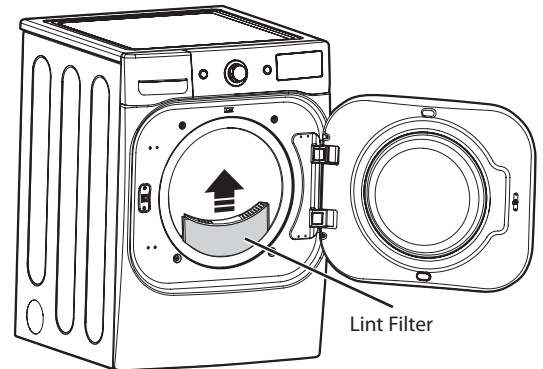
- Combine large and small items in a load.
- Damp clothes will expand as they dry. Do not overload the dryer; clothes require room to tumble dry properly.
- Close zippers, hooks, and drawstrings to prevent these items from snagging or tangling on other clothes.

Check the lint filter before every load

Always make sure the lint filter is clean before starting a new load; a clogged lint filter will increase drying times.

To clean, pull the lint filter straight up and roll any lint off the filter with your fingers. Do not rinse or wash the filter to remove lint. Push the lint filter firmly back into place. See **Regular Cleaning** for more information.

Always ensure the lint filter is properly installed before running the dryer. Running the dryer with a loose or missing lint filter will damage the dryer and articles in the dryer.



Cycle setting buttons

SENSOR DRY cycles have preset settings that are selected automatically. MANUAL DRY cycles have default settings, but you may also customize the settings using the cycle setting buttons. Press the button for that option to view and select other settings.

NOTE

To protect your garments, not every dryness level, temperature, or option is available with every cycle. See the Cycle Guide for details.

DRY LEVEL

Selects the level of dryness for the cycle. Press the DRY LEVEL button repeatedly to scroll through available settings.

- This option is only available with SENSOR DRY cycles.
- The dryer will automatically adjust the cycle time. Selecting MORE DRY or VERY DRY will increase the cycle time, while LESS DRY or DAMP DRY will decrease the cycle time.
- Use a LESS DRY or DAMP DRY setting for items that you wish to iron.

TEMP. CONTROL

Adjusts the temperature setting from ULTRA LOW to HIGH. This allows precise care of your fabrics and garments. Press the TEMP. CONTROL button repeatedly to scroll through available settings.

TIME DRY

Allows you to manually select the drying time, from 20 to 60 minutes, in 10-minute increments. Use this for small loads or to remove wrinkles. Use the MORE TIME/LESS TIME buttons to add or reduce the drying time in 1-minute increments.

Your dryer features several additional cycle options to customize cycles to meet your individual needs. Certain option buttons also feature a special function (see the following page for details) that can be activated by pressing and holding that option button for 3 seconds.

To Add Cycle Options to a Cycle:

1. Turn on the dryer and turn the cycle selector knob to select the desired cycle.
2. Use the cycle settings buttons to adjust the settings for that cycle.
3. Press the cycle option button(s) for the option you would like to add. A confirmation message will be shown in the display.
4. Press the START/PAUSE button to start the cycle. The dryer will start automatically.

WRINKLE CARE

Selecting this option will tumble the load periodically for up to 3 hours after the selected cycle, or until the door is opened. This is helpful in preventing wrinkles when you are unable to remove items from the dryer immediately.

SIGNAL

Adjusts the volume of the Signal or turns off the Signal.

Press the button repeatedly until the desired volume setting is illuminated.

Special functions

The option buttons also activate special functions, including CHILD LOCK, RACK DRY.

Press and hold the option button marked with the special function

RACK DRY

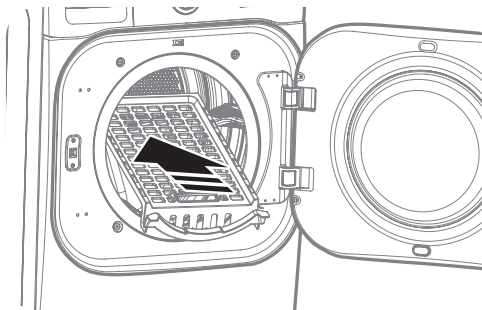
Use RACK DRY with items, such as wool sweaters, silk, and lingerie, that should dry flat. RACK DRY can also be used with items that should not be tumbled dry, such as gym shoes or stuffed animals. Press the RACK DRY button.

NOTE

NEVER use the rack with a tumble dry cycle.

To Install the Drying Rack

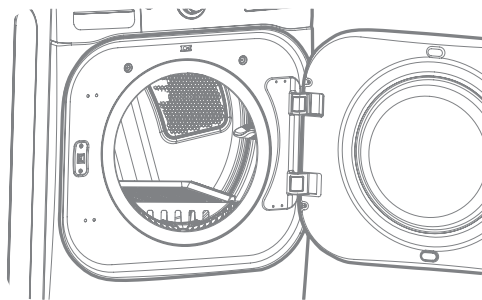
1. With the dryer door open, slide the rack into the dryer drum.



2. Make sure it is seated evenly on the edge of the inner door rim and resting flat on the inside of the dryer.

NOTE

Be sure to remove the drying rack after using the RACK DRY cycle.



*** CHILD LOCK**

Use this option to prevent unwanted use of the dryer or to keep cycle settings from being changed while the dryer is operating. Press and hold the EASY IRON button for 3 seconds to activate or deactivate the CHILD LOCK function.

The CHILD LOCK icon will be shown in the display, and all controls are disabled except the POWER button.

NOTE

Once set, CHILD LOCK remains active until it is manually deactivated. CHILD LOCK must be turned off to run another cycle. To deactivate CHILD LOCK, press and hold the EASY IRON button for three seconds.

*** DAMP DRY SIGNAL**

With this option, the dryer will signal when the load is approximately 80% dry. This allows you to remove faster-drying light weight item or items that you would like to iron or hang while still slightly damp. **Press the DAMP DRY SIGNAL button.**

Custom program

If you have a special combination of settings that you use frequently, you can save these settings as a CUSTOM PROGRAM.

* To Save a Custom Program:

1. Turn on the dryer and turn the cycle selector knob to select the desired cycle.
2. Use the cycle setting buttons to adjust the settings for that cycle.
3. Press the cycle option button(s) for the option you would like to add. A confirmation message will be shown in the display.
4. Press and hold the CUSTOM PROGRAM button for 3 seconds.

NOTE

You may save only one custom program at a time. Pressing and holding the CUSTOM PROGRAM button will overwrite any previously saved custom program.

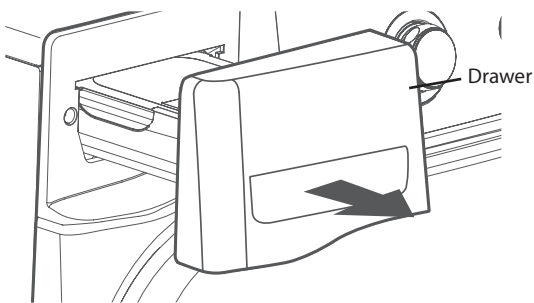
To Recall a Custom Program:

1. Turn on the dryer.
2. Press the CUSTOM PROGRAM button to select the saved cycle.
3. Press the START/PAUSE button to start the cycle.

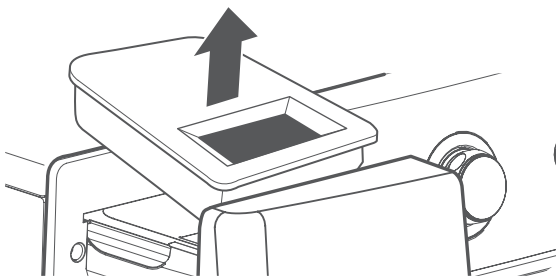
Steam functions

To Fill the Steam Feeder

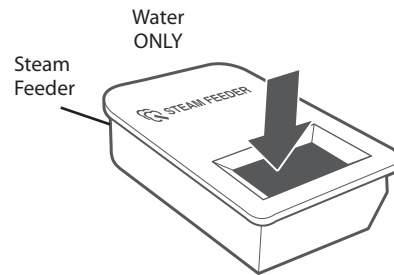
1. Pull out the drawer.



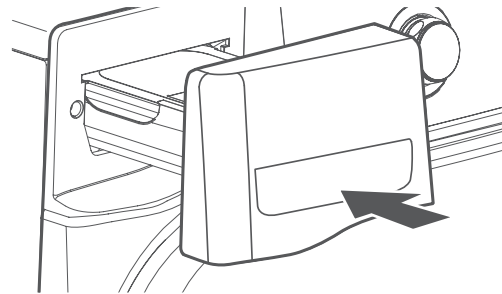
2. Lift out the steam feeder.



3. Fill the steam feeder just to the filter screen.



4. Place the steam feeder in the drawer; then push in the drawer until it clicks into place.



NOTE

Before using a Steam Cycle, the steam feeder must be filled with water up to the MAX line. If not, the *Add* will be displayed. Make sure that the steam feeder is filled with water or the drawer is fully closed. Turn the dryer off then restart the Steam Cycle.

- Only use water. Do not fill the steam feeder with foreign substances, rinse agents, or detergents.
- Before moving the dryer, make sure the steam feeder is empty.
- Do not use distilled water; the water level sensor in the steam generator will not work.
- Be careful to put the Steam Feeder otherwise water will be overflow.
- Wipe up any spilled water around the Steam Feeder and the drawer before starting the dryer.
- Do not fill the steam feeder with hot water (over 86°F/30°C).

WARNING

- **Do not fill the steam feeder with liquids such as gasoline, dry-cleaning solvents, or other flammable or explosive substances.** Failure to follow this warning can cause serious injury or death.
- **Do not drink water from the steam feeder.** Failure to follow this warning can cause serious injury or death.

Steam functions (cont.)

LG's steam technology allows you to inject fabrics with a swirling jet of hot steam to refresh clothes, reduce static, simplify ironing and assist in the removal of

lightly stained spots. Simply select the STEAM FRESHTM or SpotClean™ cycle, or you can add a Steam option to select cycles.

Using the STEAM FRESH™ Cycle

STEAM FRESH™ uses the power of steam alone to quickly reduce wrinkles and odor in fabrics. It brings new life to wrinkled clothes that have been stored for an extended time and makes heavily wrinkled clothes easier to iron. STEAM FRESH™ can also be used to help reduce odors in fabrics.

NOTE

- REDUCE STATIC or EASY IRON options can also be used during the STEAM FRESH™ cycle.
- Depending on the load (quantity of items), you may change the amount of time for the cycle by pressing the MORE TIME or LESS TIME button. The display will show 3, 5, or $\frac{b}{i} \frac{g}{j}$. 3 means 3 or fewer items, 5 is for 4 or 5 items, and $\frac{b}{i} \frac{g}{j}$ indicates a large load such as a comforter.

To Use the STEAM FRESH™ Cycle:

1. Turn on the dryer and turn the cycle selector knob to select the STEAM FRESH™ cycle.
2. To add an option function, select REDUCE STATIC, EASY IRON, or WRINKLE CARE.
3. Depending on the load (quantity of items), steam time can be changed by pressing the MORE TIME or LESS TIME buttons.
4. Press START/PAUSE button to start the cycle.

To Add STEAM to a Standard Cycle:

1. Turn on the dryer and turn the cycle selector knob to select the desired cycle.
2. Use the cycle setting buttons to adjust the settings for that cycle.
3. Press the Steam option button for the Steam option you would like to add. Then adjust for the load size using the MORE TIME or LESS TIME buttons.
4. Press START/PAUSE button to start the cycle.

Using the Steam Options:

The REDUCE STATIC option injects steam late in the drying cycle to reduce the static electricity caused by dry fabrics rubbing together. Change the amount of time for the cycle by pressing the MORE TIME or LESS TIME button, depending on the load (quantity of items). The display will show the recommended number of items, such as 7, 9, 11, 14, 16, or 18.

The EASY IRON option provides uniform, properly dampened fabrics for ironing, which can save time and make ironing easier. Change the amount of time for the cycle by pressing the MORE TIME or LESS TIME button, depending on the load (quantity of items). The display will show the recommended number of items, such as 1, 2, 3, 4, or 5.

NOTE

- When Sensor Dry is selected with the REDUCE STATIC option, a Dry level of Les or DAMP cannot be selected.
- The REDUCE STATIC or EASY IRON option may also be selected during TIME DRY cycles.
- After the Steam option is selected in TIME DRY, the MORE TIME or LESS TIME buttons will change the steam time ONLY.
- After pressing START/PAUSE, the MORE TIME or LESS TIME buttons will be disabled.

Using the STEAM SANITARY™ Cycle

STEAM SANITARY™ cycle is ideal for sanitizing non washable items quickly and easily using the power of steam alone. Recommend to use this cycle for cotton and polyester material. (Do NOT use for urethane foam, down feathers or delicates items)

Using the SPOT CLEAN™ Cycle

The SPOT CLEAN™ uses the power of steam to reduce wrinkles and odor in fabrics but also to help the stain removal solution's performance. Stain removal solutions are designed to be used for on-the-spot stain treatment

NOTE

- SPOT CLEAN™ should only be used on light water-soluble stains.
- The SPOT CLEAN™ does not perform as well on dissolvable stain, non-food/drink stain and tough/old stain.
- The spot clean cycle must be used immediately after treatment with the stain removal solution.

To Use the SPOT CLEAN™ Cycle

1. Remove excess residue from the stain with a damp towel or napkin.
2. Apply "STAIN REMOVAL SOLUTION" onto the stain.
3. Load the pre treated item into the dryer and select and start the spot clean cycle.

Steam functions (cont.)

⚠ WARNING

- **Do not open the dryer door during steam cycles.** Failure to follow this warning can cause serious injury or death.
- **Do not fill the steam feeder with gasoline, dry-cleaning solvents, or other flammable or explosive substances.** Failure to do so can result in death, explosion, fire, or burns.
- **Do not touch the steam nozzle in the drum during or after the steam cycle.** Failure to follow this warning can cause serious injury or death.

❗ NOTE

- Steam may not be clearly visible during the steam cycles. This is normal.
- Do not use Steam Fresh™ and SpotClean™ cycles with items such as wool, wool blankets, leather jackets, silk, wet clothes, lingerie, foam products, or electric blankets.
- For best results, load articles of similar size and fabric type. Do not overload.
- When the filter/duct is clogged, the steam option may not have optimal results.
- When the steam function is operating, the drum will stop to allow steam to stay in the drum.
- The steam feeder must be filled with water up to the MAX line. Otherwise, an error message will be displayed.

Steam cycle guide

	STEAM	DEFAULT TIME	TEMP. CONTROL	DRY LEVEL	FABRIC STATE	FABRIC TYPE	MAXIMUM AMOUNT
STEAM SANITARY™		39 minutes			Dry	Comforter Bedding	Single (1 each)
			Children's clothing	3 lbs.			
SPOT CLEAN™		22 minutes	○		Dry	Shirt*	Single (1 each)
STEAM FRESH™		20 minutes	○		Dry	Comforter	Single (1 each)
						Shirts*	5 each
	+ REDUCE STATIC	10 minutes			Dry	Shirts*	8 lbs. (18 Items.)
	+ EASY IRON	12 minutes			Dry	Shirts*	Shirts* (5 each)
STEAM OPTION	+ REDUCE STATIC	FOLLOWS SELECTED CYCLE		○	Wet	Varies by selected cycle	8 lbs. (18 Items.)
	+ EASY IRON			○	Wet	Varies by selected cycle	Shirts* (5 each)
TIME DRY	+ REDUCE STATIC	45 minutes	○		Wet	Varies by selected cycle	8 lbs. (18 Items.)
	+ EASY IRON	47 minutes	○		Wet	Varies by selected cycle	Shirts* (5 each)

*Shirt: 70% cotton:30% poly blend. Except especially delicate fabrics.

- When the lint filter or exhaust duct is clogged, steam options will not give proper results.
- For best results, load articles of similar size and fabric type. Do not overload.

MAINTENANCE

Regular cleaning

⚠ WARNING

To reduce the risk of fire, electric shock, or injury to persons when using this appliance, follow basic precautions, including the following:

- **Unplug the dryer before cleaning to avoid the risk of electric shock.** Failure to follow this warning can cause serious injury, fire, electrical shock, or death.
- **Never use harsh chemicals, abrasive cleaners, or solvents to clean the washer.** They will damage the finish.

Cleaning the Exterior

Proper care of your dryer can extend its life.

The outside of the machine can be cleaned with warm water and a mild, nonabrasive household detergent.

Immediately wipe off any spills with a soft, damp cloth.

⚠ NOTE

Do not use methylated spirits, solvents, or similar products. Never use steel wool or abrasive cleansers; they can damage the surface.

Cleaning the Interior

Wipe around the door opening and seal with a soft, damp cloth to prevent lint and dust buildup that could damage the door seal.

Clean the window with a soft cloth dampened with warm water and a mild, nonabrasive household detergent; then wipe dry.

The stainless steel drum can be cleaned with a conventional stainless steel cleaner, used according to the manufacturer's specifications.

Never use steel wool or abrasive cleansers; they can scratch or damage the surface.

Cleaning Around and Under the Dryer

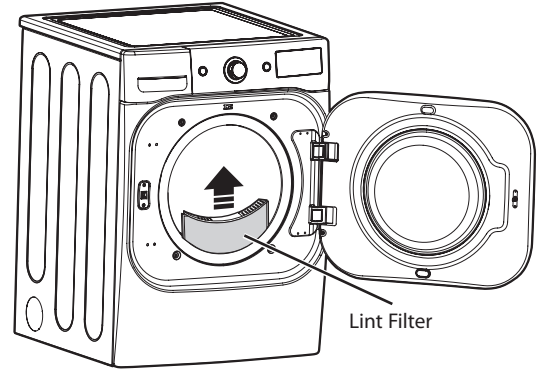
Vacuum lint and dust from around the dryer and underneath it regularly. Vent ductwork should be checked for lint buildup and cleaned at least once per year. If any noticeable reduction in airflow or drying performance occurs, immediately check ductwork for obstructions and blockages.

Maintaining Ductwork

Vent ductwork should be checked for lint build up once per month and cleaned at least once per year. If any noticeable reduction in airflow or drying performance occurs, immediately check ductwork for obstructions and blockages. Contact a qualified technician or service provider.

Cleaning the Lint Filter

Always clean the lint filter after every cycle.

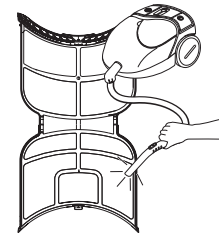


To clean, open the dryer door and pull the lint filter straight up. Then:

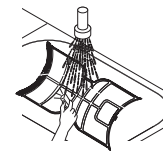
1. Roll any lint off the filter with your fingers, or



2. Vacuum the lint filter, or



3. If the lint filter has become very dirty or clogged with fabric softener, wash the lint filter in warm, soapy water and allow to dry thoroughly before reinstalling.



⚠ NOTE

NEVER operate the dryer without the lint filter in place. NEVER operate the dryer with a wet lint filter.

TROUBLESHOOTING

Before calling for service

Your dryer is equipped with an automatic error-monitoring system to detect and diagnose problems at an early stage. If your dryer does not function properly or does not function at all, check the following before you call for service.

Problem	Possible Causes	Solutions
Dryer will not turn on	<ul style="list-style-type: none"> • Power cord is not properly plugged in. • House fuse is blown, circuit breaker has tripped, or power outage has occurred. 	<ul style="list-style-type: none"> • Make sure that the plug is plugged securely into a grounded outlet matching the dryer's rating plate. • Reset circuit breaker or replace fuse. Do not increase fuse capacity. If the problem is a circuit overload, have it corrected by a qualified electrician.
Dryer does not heat	<ul style="list-style-type: none"> • House fuse is blown, circuit breaker has tripped, or power outage has occurred. • Gas supply or service turned off (gas models only). 	<ul style="list-style-type: none"> • Reset circuit breaker or replace fuse. Do not increase fuse capacity. If the problem is a circuit overload, have it corrected by a qualified electrician. • Confirm that the house gas shutoff and the dryer gas shutoff are both fully open.
Greasy or dirty spots on clothes	<ul style="list-style-type: none"> • Fabric softener used incorrectly. • Clean and dirty clothes being dried together. 	<ul style="list-style-type: none"> • Confirm and follow the instructions provided with your fabric softener. • Make sure to use your dryer to dry only clean items, because dirty items can soil clean clothes placed in the same or subsequent loads. • Stains on dried clothes are actually stains that were not removed during the washing process. Make sure that clothes are being completely cleaned according to the instructions for your washer and detergent.
Display shows error code tE1 or tE2	<ul style="list-style-type: none"> • Thermistor is malfunctioning. 	<ul style="list-style-type: none"> • Turn off the dryer and call for service.
Lint on clothes	<ul style="list-style-type: none"> • Lint filter not cleaned properly. • Laundry not sorted properly. • Excess static in clothes. • Dryer is overloaded. • Tissue, paper, etc., left in pockets. 	<ul style="list-style-type: none"> • Make sure the lint filter is cleaned before every load. With some loads that produce high amounts of lint, it may be necessary to clean the filter during the cycle. • Some fabrics are lint producers (i.e., a fuzzy white cotton towel) and should be dried separately from clothes that are lint trappers (i.e., a pair of black linen pants). • See the Excess static in clothes after drying section below. • Divide larger loads into smaller loads for drying. • Check pockets thoroughly before washing and drying clothes.
Excess static in clothes after drying	<ul style="list-style-type: none"> • Fabric softener not used or used incorrectly. • Clothes dried too long (overdried). • Drying synthetics, permanent press, or synthetic blends. 	<ul style="list-style-type: none"> • Use a fabric softener to reduce static electricity correctly. Do not use fabric softeners or products to eliminate static unless recommended by the manufacturer of the fabric softener or product. • Overdrying a load of laundry can cause a buildup of static electricity. Adjust settings and use a shorter drying time, or use SENSOR DRY cycles. • These materials can cause static buildup. Try using a fabric softener.
Display shows error code PS	<ul style="list-style-type: none"> • Power cord connection is incorrect. 	<ul style="list-style-type: none"> • Check the connection of power cord to the terminal block. Refer to 23-27 pages on this manual.

Before calling for service (cont.)

Problem	Possible Causes	Solutions
Drying time is not consistent	<ul style="list-style-type: none"> Heat settings, load size, or dampness of clothing is not consistent. 	<ul style="list-style-type: none"> The drying time for a load will vary depending on the heat setting, the type of heat used (electric, natural gas, or LP gas), the size of the load, the type of fabrics, the wetness of the clothes, and the condition of the exhaust ducts and lint filter.
Clothes take too long to dry	<ul style="list-style-type: none"> Load is not properly sorted. Large load of heavy fabrics. Dryer controls are not set properly. Lint filter needs to be cleaned. Exhaust ducts blocked, dirty, or duct run is too long. House fuse is blown, circuit breaker has tripped, or power outage has occurred. Dryer is overloaded. Dryer is underloaded. 	<ul style="list-style-type: none"> Separate heavy items from lightweight items. Larger and heavier items take longer to dry. Heavy fabrics take longer to dry because they tend to retain more moisture. To help reduce and maintain more consistent drying times for large and heavy fabrics, separate these items into smaller loads of a consistent size. Use the appropriate control settings for the type of load you are drying. Make sure the lint filter is cleaned before every load. With some loads that produce high amounts of lint, it may be necessary to clean the filter during the cycle. Confirm that the exhaust ductwork is properly configured and free of debris, lint, and obstructions. Make sure that outside wall dampers can open properly and are not blocked, jammed, or damaged. Reset circuit breaker or replace fuse. Do not increase fuse capacity. If the problem is a circuit overload, have it corrected by a qualified electrician. Divide larger loads into smaller loads for drying. If you are drying a very small load, add a few extra items to ensure proper tumbling action.
Clothes are wrinkled	<ul style="list-style-type: none"> Clothes dried too long (overdried). Clothes left in dryer too long after cycle ends. 	<ul style="list-style-type: none"> Overdrying a load of laundry can lead to wrinkled clothes. Try a shorter drying time, and remove items while they still retain a slight amount of moisture. Remove items from the dryer immediately at the end of the cycle. Use the WRINKLE CARE option to continue tumbling clothes at the end of the cycle, for up to 3 hours.
Clothes are shrinking	<ul style="list-style-type: none"> Garment care instructions are not being followed. 	<ul style="list-style-type: none"> To avoid shrinkage, please carefully follow the fabric care instructions for your garment, because some fabrics will naturally shrink when washed. Other fabrics can be washed but will shrink when dried in a dryer. Use a low or no heat setting.
<i>Red</i> indicator light is on during the drying cycle	<ul style="list-style-type: none"> Water supply error. 	<ul style="list-style-type: none"> Check steam feeder drawer: <ol style="list-style-type: none"> Make sure steam feeder is filled with water to MAX line. Make sure steam feeder is seated properly and drawer is fully closed. Turn the dryer off then restart the Steam cycle. Do not use distilled water; the water level sensor in steam generator will not work. Pump not working. Unplug dryer and call for service.
Water drips from nozzle when Steam Cycle starts	<ul style="list-style-type: none"> This is normal. 	<ul style="list-style-type: none"> This is steam condensation. The dripping water will stop after a short time.

Before calling for service (cont.)

Problem	Possible Causes	Solutions
Steam does not generate but no error code is shown	<ul style="list-style-type: none"> Water level error. 	<ul style="list-style-type: none"> Unplug dryer and call for service.
Garments still wrinkled after STEAM FRESH™	<ul style="list-style-type: none"> Too many or too different types of garments in dryer. 	<ul style="list-style-type: none"> Small loads of 1 to 5 items work best. Load fewer garments. Load similar-type garments.
There are no creases left on garment after STEAM FRESH™	<ul style="list-style-type: none"> The function of this cycle is to remove wrinkles from fabric. 	<ul style="list-style-type: none"> Use an iron to make creases.
Garments have static after REDUCE STATIC	<ul style="list-style-type: none"> This is normal. 	<ul style="list-style-type: none"> Depends on individual moisture level in skin.
Garments are too damp or too dry after REDUCE STATIC	<ul style="list-style-type: none"> Correct drying options not selected. 	<ul style="list-style-type: none"> Select load weight manually before starting REDUCE STATIC option.
Garments are not uniformly damp after EASY IRON	<ul style="list-style-type: none"> Number of garments or load size not properly selected at the beginning of the cycle. 	<ul style="list-style-type: none"> Select the correct number of garments or load size before starting the cycle.
Water drips from door during Steam Cycle	<ul style="list-style-type: none"> This is normal. 	<ul style="list-style-type: none"> Condensation will normally form on the inside of the dryer door during steam operation. Some condensation may drip out the bottom of the door.
Steam is not visible during Steam Cycle	<ul style="list-style-type: none"> This is normal. 	<ul style="list-style-type: none"> Steam vapor is difficult to see when the door is closed. However, condensation will normally form on the inside of the dryer door if the steam system is operating normally.
Drum does not turn during Steam Cycle	<ul style="list-style-type: none"> This is normal. 	<ul style="list-style-type: none"> The drum is turned off so that the steam vapor remains in the drum. The drum will normally turn for about 2 seconds once a minute.
Cannot see steam vapor at the beginning of cycle	<ul style="list-style-type: none"> This is normal. 	<ul style="list-style-type: none"> Steam is released at different stages of the cycle for each option.
The display shows <i>b! 9</i>	<ul style="list-style-type: none"> MORE TIME button pressed. 	<ul style="list-style-type: none"> This display indicates that the steam option has been set for a "b! 9" item such as a comforter. Press the LESS TIME button to reduce the indicated load size.
Odors remain in clothing after STEAM FRESH™	<ul style="list-style-type: none"> STEAM FRESH™ did not remove odor completely. 	<ul style="list-style-type: none"> Fabrics containing strong odors should be washed in a normal cycle.
CHECK FILTER light is on during the drying cycle	<ul style="list-style-type: none"> Lint filter is almost clogged or full. 	<ul style="list-style-type: none"> Pause the drying cycle and clean the lint filter.
FLOW SENSE™ indicator shows four bars during the drying cycle	<ul style="list-style-type: none"> Ductwork is too long or has too many turns/restrictions. Significant blockage of the ductwork due to lint buildup or debris. The appliance has detected a restriction in the external dryer venting. 	<ul style="list-style-type: none"> Install a shorter or straighter duct run. See the Installation Instructions. Ductwork should be checked/cleaned soon. Dryer can be used in this condition, but drying times may be longer. If exhaust restrictions are sensed by the FLOW SENSE™ system, the indicator will remain on for two hours after the end of the cycle. Opening the door or pressing the POWER button will turn off the display.

SPECIFICATIONS


Steam Dryer™ Models	DLEX8000W DLEX8000V DLGX8001W DLGX8001V
Description	Steam Dryer
Electrical Requirements*	Please refer to the rating label regarding detailed information.
Gas Requirements*	NG 4-10.5 inches WC LP: 8-13 inches WC (Gas Models only)
Dimensions	29"(W) x 32.1"(D) x 40.8(H) x 59"(D with door open) 73.7 cm (W) x 81.4 cm (D) x 103.6 cm (H) x 151.8 cm (D with door open)
Net Weight	161lb(73kg)
Drying Capacity - Steam Cycle	IEC 9.0 cu.ft(8lb/3.6kg)

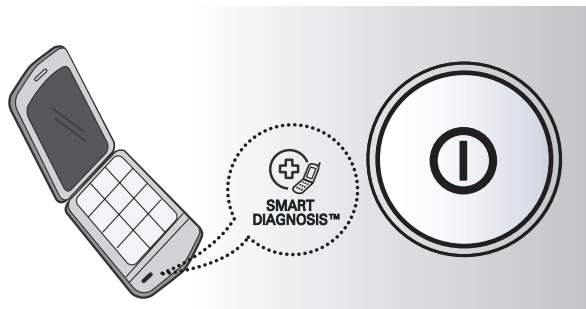
USING SMARTDIAGNOSIS™

NOTE

- Only use this feature when instructed to do so by the call center. The transmission sounds similar to a fax machine, and so has no meaning except to the call center.
- SMARTDIAGNOSIS™ cannot be activated if the dryer does not power up. If this happens, then troubleshooting must be done without SMARTDIAGNOSIS™.

If you experience problems with your dryer, call 1-800-243-0000 (1-888-542-2623 in Canada). Follow the call center agent's instructions, and do the following steps when requested:

1. Press  to turn on the dryer. Do not press any other buttons.
2. When instructed to do so by the call center agent, place the mouthpiece of your phone very close to the POWER button.



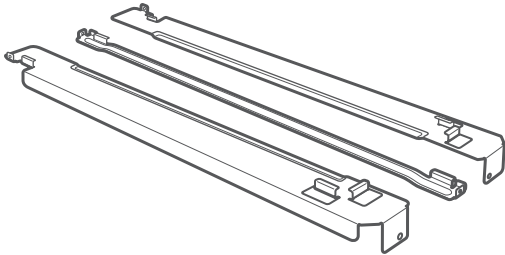
3. Press and hold TEMP.CONTROL button for three seconds, while holding the phone mouthpiece to the icon or POWER button.
4. Keep the phone in place until the tone transmission has finished. This takes about 17 seconds, and the display will count down the time.
 - For best results, do not move the phone while the tones are being transmitted and do not touch the control panel with the phone.
 - If the call center agent is not able to get an accurate recording of the data, you may be asked to try again.
 - Pressing the POWER button during the transmission will shut off the SMARTDIAGNOSIS™.
5. Once the countdown is over and the tones have stopped, resume your conversation with the call center agent, who will then be able to assist you using the information transmitted for analysis at the call center.

OPTIONAL ACCESSORIES

Stacking kit installation

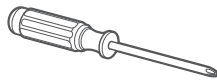
This stacking kit includes:

- Two (2) side rails
- One (1) front rail
- Four (4) screws



Tools Needed for Installation:

- Phillips screwdriver

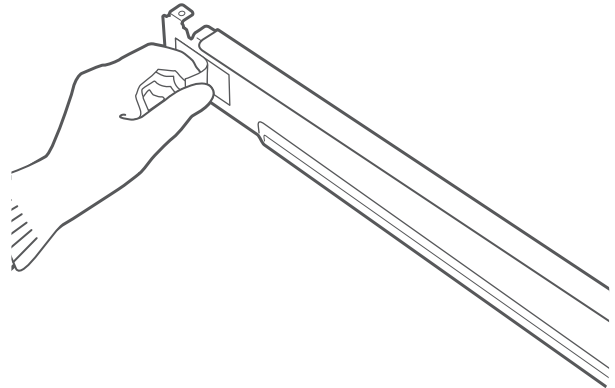


To ensure safe and secure installation, please observe the following instructions.

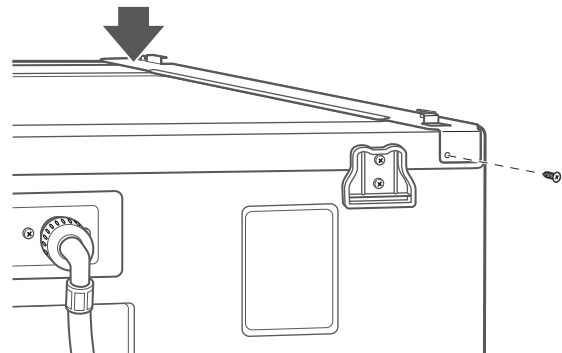
⚠ WARNING

- **Incorrect installation can cause serious accidents.**
- **The weight of the dryer and the height of installation make this stacking procedure too risky for one person. Two or more people are required when installing the stacking kit.** There is a risk of serious back injury or other injuries.
- **Do not use the stacking kit with a gas dryer in potentially unstable conditions such as a mobile home.** Failure to follow this warning can result in serious injury.
- **Place the washer on a solid, stable, level floor capable of supporting the weight of both appliances.** Failure to follow this warning can result in serious injury.
- **Do NOT stack the washer on top of the dryer.** Failure to follow this warning can result in serious injury.
- **If appliances are already installed, disconnect them from all power, water, or gas lines and from draining or venting connections.** Failure to do so can result in electrical shock, fire, explosion, or death.

1. Make sure the surface of the washer is clean and dry. Remove paper backing from the tape on one of the stacking kit side brackets.

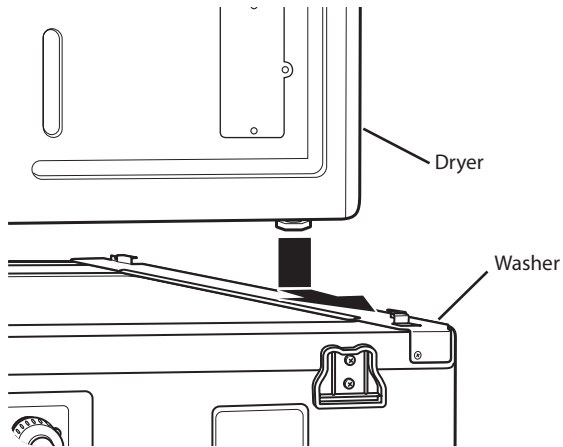


2. Fit the side bracket to the side of the washer top as shown in the above illustration. Firmly press the adhesive area of the bracket to the washer surface. Secure the side bracket to the washer with a screw on the back side of the bracket. Repeat steps 1 and 2 to attach the other side bracket.

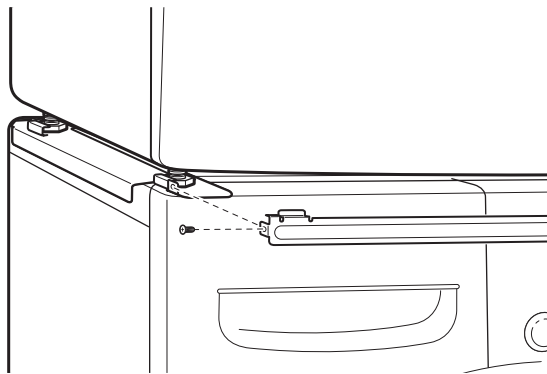


Stacking kit installation (cont.)

3. Place the dryer on top of the washer by fitting the dryer feet into the side brackets as illustrated. Avoid finger injuries; do not allow fingers to be pinched between the washer and dryer. Slowly slide the dryer toward the back of the washer until the side bracket stoppers catch the dryer feet.



4. Insert the front rail between the bottom of the dryer and the top of the washer. Push the front rail toward the back of the washer until it comes in contact with the side rail stoppers. Install the two remaining screws to secure the front rail to the side rails.



LG ELECTRONICS CANADA, INC. LG DRYER LIMITED WARRANTY - Canada

WARRANTY: Should your LG Dryer ("Product") fail due to a defect in material or workmanship under normal home use during the warranty period set forth below, LG Canada will at its option repair or replace the Product upon receipt of proof of original retail purchase. This warranty is valid only to the original retail purchaser of the product and applies only to a Product distributed in Canada by LG Canada or an authorized Canadian distributor thereof. The warranty only applies to Products located and used within Canada.

WARRANTY PERIOD: (Note: If the original date of purchase can not be verified, the warranty will begin sixty (60) days from the date of manufacture).
Dryer
One (1) year from the date of original retail purchase
Parts and Labor (internal/functional parts only)

- Replacement products and parts are warranted for the remaining portion of the original warranty period or ninety (90) days, whichever is greater.
- Replacement products and parts may be new or remanufactured.
- LG Authorized Service Center warranties their repair work for thirty (30) days.

LG CANADA'S SOLE LIABILITY IS LIMITED TO THE WARRANTY SET OUT ABOVE. EXCEPT AS EXPRESSLY PROVIDED ABOVE, LG CANADA MAKES NO AND HEREBY DISCLAIMS ALL OTHER WARRANTIES AND CONDITIONS RESPECTING THE PRODUCT, WHETHER EXPRESS OR IMPLIED, INCLUDING, BUT NOT LIMITED TO, ANY IMPLIED WARRANTY OR CONDITION OF MERCHANTABILITY OR FITNESS FOR A PARTICULAR PURPOSE, AND NO REPRESENTATIONS SHALL BE BINDING ON LG CANADA. LG CANADA DOES NOT AUTHORIZE ANY PERSON TO CREATE OR ASSUME FOR IT ANY OTHER WARRANTY OBLIGATION OR LIABILITY IN CONNECTION WITH THE PRODUCT. TO THE EXTENT THAT ANY WARRANTY OR CONDITION IS IMPLIED BY LAW, IT IS LIMITED TO THE EXPRESS WARRANTY PERIOD ABOVE. LG CANADA, THE MANUFACTURER OR DISTRIBUTOR SHALL NOT BE LIABLE FOR ANY INCIDENTAL, CONSEQUENTIAL, SPECIAL, DIRECT OR INDIRECT DAMAGES, LOSS OF GOODWILL, LOST PROFITS, PUNITIVE OR EXEMPLARY DAMAGES OR ANY OTHER DAMAGE, WHETHER ARISING DIRECTLY OR INDIRECTLY FROM ANY CONTRACTUAL BREACH, FUNDAMENTAL OR OTHERWISE, OR FROM ANY ACTS OR OMISSIONS, TORT, OR OTHERWISE.

This warranty gives you specific legal rights. You may have other rights which may vary from province to province depending on applicable provincial laws. Any term of this warranty that negates or varies any implied condition or warranty under provincial law is severable where it conflicts with provincial law without affecting the remainder of this warranty's terms.

THIS LIMITED WARRANTY DOES NOT COVER:

1. Service trips to deliver, pick up, or install the product; instructing a customer on operation of the product; repair or replacement of fuses or correction of wiring, or correction of unauthorized repairs/installation.
2. Failure of the product to perform during power failures and interruptions or inadequate electrical service.
3. Damage caused by leaky or broken water pipes, frozen water pipes, restricted drain lines, inadequate or interrupted water supply or inadequate supply of air.
4. Damage resulting from operating the Product in a corrosive atmosphere or contrary to the instructions outlined in the Product owner's manual.
5. Damage to the Product caused by accidents, pests and vermin, lightning, wind, fire, floods, or acts of God.
6. Damage resulting from the misuse, abuse, improper installation, repair, or maintenance of the Product. Improper repair includes use of parts not approved or specified by LG Canada.
7. Damage or product failure caused by unauthorized modification or alteration, or use for other than its intended purpose, or resulting from any water leakage due to improper installation.
8. Damage or Product failure caused by incorrect electrical current, voltage, commercial or industrial use, or use of accessories, components, or cleaning products that are not approved by LG Canada.
9. Damage caused by transportation and handling, including scratches, dents, chips, and/or other damage to the finish of your product, unless such damage results from defects in materials or workmanship and is reported within one (1) week of delivery.
10. Damage or missing items to any display, open box, discounted, or refurbished Product.
11. Products with original serial numbers that have been removed, altered, or cannot be readily determined. Model and Serial numbers, along with original retail sales receipt, are required for warranty validation.
12. Increases in utility costs and additional utility expenses. Replacement of light bulbs, filters, or any consumable parts. Repairs when your Product is used in other than normal and usual household use (including, without limitation, commercial use, in offices or recreational facilities) or contrary to the instructions outlined in the Product owner's manual.
15. Costs associated with removal of the Product from your home for repairs.
16. The removal and reinstallation of the Product if it is installed in an inaccessible location or is not installed in accordance with published installation instructions, including the Product owner's and installation manuals.
17. Accessories to the Product such as door bins, drawers, handles, shelves, etc. Also excluded are parts besides those that were originally included with the Product.

All costs associated with the above excluded circumstances shall be borne by the consumer.

For complete warranty details and customer assistance, please call or visit our website:

Call 1-888-542-2623 (24 hours a day, 365 days a year) and select the appropriate option from the menu, or visit our website at <http://www.lg.ca>

Write your warranty information below:

Product Registration Information:

Model:

Serial Number:

Date of Purchase:



MODE D'EMPLOI SÉCHEUSE

Avant de commencer à installer votre sècheuse, lisez attentivement ces instructions. Cela simplifiera votre installation et assurera que la sècheuse est installée correctement et en toute sécurité. Conservez ces instructions à proximité de la sècheuse après son installation, pour référence future.

DLEX8000W DLGX8001W
DLEX8000V DLGX8001V

TABLE DES MATIÈRES

3 IMPORTANTES INSTRUCTIONS DE SÉCURITÉ

- 3 CE QU'IL FAUT FAIRE SI VOUS DÉTECTEZ UNE ODEUR DE GAZ
- 4 PRÉCAUTIONS DE SÉCURITÉ DE BASE
- 5 INSTRUCTIONS DE MISE À LA TERRE
- 5 INSTRUCTIONS DE SÉCURITÉ POUR L'INSTALLATION
- 6 INSTRUCTIONS DE SÉCURITÉ POUR LES FONCTIONS DE VAPEUR
- 7 INSTRUCTIONS DE SÉCURITÉ POUR LA RACCORDEMENT À L'ÉLECTRICITÉ

8 CARACTÉRISTIQUES SPÉCIALES

9 PRESENTATION DE VOTRE SÈCHE-LINGE

- 9 Pièces
- 9 Accessoires
- 10 Caractéristiques du panneau de commande
- 11 Affichage heure et statut

12 INSTRUCTIONS D'INSTALLATION

- 12 Étapes d'installation
- 13 Conditions requises pour l'emplacement d'installation
- 13 Degagements
- 15 Installations avec piedestal ou trousse d'empilage en option
- 16 Mise a niveau de la secheuse
- 17 Pour retirer la porte
- 18 Pour installer la porte
- 19 Modification de l'emplacement de la sortie d'air
- 20 Besoin de ventilation
- 22 Raccordement des secheuses a gaz
- 24 Raccordement des secheuses electriques
- 25 Exigences particulieres pour les maisons mobiles ou prefabriquees
- 25 Verification finale de l'installation
- 26 Test d'installation (Controle d'echappement)

28 MODE D'EMPLOI

- 28 Fonctionnement de la secheuse
- 29 Guide des cycles
- 30 Triage des brassées

- 30 Chargement de la secheuse
- 30 Verification du filtre a charpie avant tout la brassée
- 31 Boutons de reglage des cycles
- 32 Fonctions speciales
- 33 Programme Personnalisé
- 33 Fonctions à vapeur
- 35 Guide de cycle de vapeur

36 ENTRETIEN

- 36 Nettoyage regulier

37 DÉPANNAGE

- 37 Avant d'appeler le service

40 SPÉCIFICATIONS

41 UTILISATION DE SMART DIAGNOSIS™

42 ACCESSOIRES EN OPTION

- 42 Installation de la trousse d'empilage

44 GARANTIE

IMPORTANTES INSTRUCTIONS DE SÉCURITÉ


LISEZ TOUTES LES DIRECTIVES AVANT D'UTILISER L'APPAREIL

AVERTISSEMENT

Pour votre sécurité, vous devez suivre l'information contenue dans ce manuel afin de réduire les risques d'incendie et d'explosion, de choc électrique, ainsi que pour éviter les dommages matériels, les blessures corporelles, ou un décès.

Votre sécurité et la sécurité des autres sont très importantes.

Ce manuel contient de nombreux messages relatifs à la sécurité et à votre appareil. Lisez toujours et suivez toujours toutes les instructions relatives à votre sécurité.

 C'est le symbole d'alerte à la sécurité.

Ce symbole vous alerte des dangers potentiels qui peuvent vous tuer ou vous blesser ou tuer ou blesser d'autres personnes. Tous les messages relatifs à la sécurité suivent le symbole d'alerte à la sécurité et le mot DANGER, AVERTISSEMENT ou ATTENTION.

Ces mots signifient :

DANGER

Vous pouvez être tué ou grièvement blessé si vous ne suivez pas immédiatement les instructions.

AVERTISSEMENT

Vous pouvez être tué ou grièvement blessé si vous ne suivez pas les instructions.

ATTENTION

Vous pouvez être blessé ou endommager le produit si vous ne suivez pas les instructions.

Tous les messages relatifs à la sécurité vous diront la nature du danger potentiel, comment réduire le risque de blessure et ce qui peut se produire si vous ne suivez pas les instructions.

- **N'installez pas une sècheuse avec des matériaux de ventilation en plastique flexibles. Si vous installez un conduit en métal flexible (de type feuille métallique), celui-ci doit être d'un type spécifique identifié par le fabricant comme convenant à une utilisation avec une sècheuse. Les matériaux de ventilation flexibles sont susceptibles de se déformer, d'être écrasés facilement et de retenir les charpies. Ces conditions peuvent obstruer la circulation de l'air de la sècheuse et accroître le risque d'incendie.**
- **Ne rangez et n'utilisez pas d'essence ou d'autres vapeurs et liquides inflammables près de cet appareil ou de tout autre appareil électroménager.**
- **L'installation et l'entretien doivent être effectués par un installateur qualifié, une agence de service, ou le fournisseur de gaz.**
- **Installez la sècheuse conformément aux instructions du fabricant et à la réglementation locale.**
- **Conservez ces instructions.**

CE QU'IL FAUT FAIRE SI VOUS DÉTECTEZ UNE ODEUR DE GAZ :

1. **N'essayez pas de gratter une allumette, d'allumer une cigarette, ou de mettre sous tension un électroménager à gaz ou électrique.**
2. **Ne touchez à aucun interrupteur électrique. N'utilisez aucun téléphone de votre édifice.**
3. **Évacuez toute personne présente dans la pièce, l'édifice, ou la zone à proximité.**
4. **Appelez immédiatement votre fournisseur de gaz du téléphone d'un voisin. Suivez attentivement les directives du fournisseur de gaz.**
5. **Si vous ne pouvez pas rejoindre votre fournisseur de gaz, appelez le service d'incendie.**

IMPORTANTES INSTRUCTIONS DE SÉCURITÉ

LISEZ TOUTES LES DIRECTIVES AVANT D'UTILISER L'APPAREIL

AVERTISSEMENT

Pour votre sécurité, vous devez suivre l'information contenue dans ce manuel afin de réduire les risques d'incendie et d'explosion, de choc électrique, ainsi que pour éviter les dommages matériels, les blessures corporelles, ou un décès.

PRÉCAUTIONS DE SÉCURITÉ DE BASE

AVERTISSEMENT

Afin de réduire les risques d'incendie, de choc électrique, ou les blessures corporelles lorsque vous utilisez cet électroménager, vous devez toujours suivre les précautions de base, y compris ce qui suit :

- Lisez toutes les instructions avant d'utiliser votre sècheuse.
- Avant de l'utiliser, la sècheuse doit être installée correctement conformément aux directives données dans ce manuel.
- Ne séchez aucun article qui aurait précédemment été nettoyé, lavé, ou trempé dans de l'essence, des solvants pour nettoyage à sec, ou toute autre substance inflammable ou explosive non plus que tout article qui présenterait des taches de ces substances car les vapeurs qui s'en dégagent pourraient s'enflammer ou exploser.
- Ne placez pas d'articles exposés à des huiles de cuisson dans votre sècheuse. Des vêtements contaminés aux huiles de cuisson peuvent entraîner une réaction chimique qui pourrait faire enflammer une brassée.
- Ne mettez jamais votre main dans la sècheuse si le tambour ou les autres pièces sont en mouvement.
- Ne réparez jamais ou ne remplacez jamais une pièce de la sècheuse ou n'essayez jamais de réparer votre sècheuse, à moins que cet entretien soit spécifiquement recommandé dans ce Guide d'utilisation et d'entretien ou dans des instructions de réparations par l'utilisateur publiées que vous comprenez et que vous êtes capable d'entreprendre.
- Ne modifiez pas les commandes.
- Ne laissez pas les enfants jouer dans la sècheuse ou sur celle-ci. Vous devez les superviser de près lorsque vous utilisez la sècheuse à proximité.
- Avant d'inutiliser ou de mettre la sècheuse au rebut, retirez-en la porte.
- Utilisez les assouplisseurs ou produits pour éliminer la statique uniquement tel que recommandé par le fabricant.
- N'utilisez pas de cycle avec chaleur pour sécher des articles qui comportent du caoutchouc mousse ou tout autre matière similaire à du caoutchouc.
- Conservez l'espace entourant l'ouverture de sortie et les espaces adjacents libre de toute accumulation de charpie, de poussière, et de saleté.
- Vous devez faire nettoyer périodiquement l'intérieur de la sècheuse et du conduit de sortie par le personnel de service qualifié.
- N'installez jamais ou ne rangez jamais votre sècheuse dans un endroit exposé aux intempéries.
- Vérifiez toujours l'intérieur de la sècheuse pour y repérer tout corps étranger.
- Nettoyez le filtre à charpie avant ou après chaque brassée.
- Ne conservez pas d'objets en plastique, des papiers ou des vêtements susceptibles de s'enflammer ou de fondre en haut du séchoir pendant qu'il est en marche.

IMPORTANTES INSTRUCTIONS DE SÉCURITÉ

LISEZ TOUTES LES DIRECTIVES AVANT D'UTILISER L'APPAREIL

⚠ AVERTISSEMENT

Pour votre sécurité, vous devez suivre l'information contenue dans ce manuel afin de réduire les risques d'incendie et d'explosion, de choc électrique, ainsi que pour éviter les dommages matériels, les blessures corporelles, ou un décès.

INSTRUCTIONS DE MISE À LA TERRE

Vous devez mettre à la terre cet appareil. En cas de panne ou de défaillance, la mise à la terre réduit le risque d'électrocution en offrant un chemin de moindre résistance au courant électrique. Cet appareil doit être muni d'un cordon doté d'un conducteur de mise à la terre et d'une fiche avec mise à la terre. Vous devez brancher la fiche dans une prise appropriée qui est bien installée et mise à la terre conformément à tous les codes et les ordonnances locales. Ne modifiez jamais la fiche fournie avec l'appareil. Si elle ne

correspond pas à la prise, faites installer une bonne prise par un électricien qualifié.

Vous devez brancher cet appareil à un système de câblage permanent, en métal, mis à la terre ou vous devez faire courir un conducteur de mise à la terre avec les conducteurs du circuit et le brancher à la broche ou au contact de mise à la terre de l'appareil. Si votre sècheuse n'est pas bien mise à la terre, cela peut entraîner une électrocution.

⚠ AVERTISSEMENT

Un mauvais branchement du conducteur de mise à la terre peut entraîner un risque d'électrocution. Vérifiez auprès d'un électricien qualifié ou d'un technicien de service si vous

INSTRUCTIONS DE SÉCURITÉ POUR L'INSTALLATION

⚠ AVERTISSEMENT

Afin de réduire les risques d'incendie, de choc électrique, ou les blessures corporelles lorsque vous utilisez des électroménagers, vous devez toujours suivre les précautions de base, y compris ce qui suit :

- **Faites la mise à la terre de la sècheuse conformément à tous les codes et ordonnances en vigueur.** Suivez les directives d'installation détaillées. Si votre sècheuse n'est pas bien mise à la terre, cela peut entraîner une électrocution.
- **Avant de l'utiliser, la sècheuse doit être installée correctement conformément aux directives données dans ce manuel.** Si votre sècheuse n'est pas bien mise à la terre, cela peut entraîner une électrocution.
- **Installez et entreposez la sècheuse à un endroit où elle ne sera pas exposée à des températures sous le point de congélation ou exposée aux intempéries.**
- **Toutes les réparations et l'entretien doivent être faits par un service d'entretien autorisé, à moins qu'ils ne soient spécifiquement recommandés dans ce Guide d'utilisation.** Tout non-respect de cet avertissement peut entraîner des blessures graves, un incendie, l'électrocution, ou la mort.
- **Pour réduire le risque d'électrocution, n'installez jamais la sècheuse dans un espace humide.** Tout non-respect de cet avertissement peut entraîner des blessures graves, un incendie, l'électrocution, ou la mort.
- **N'installez pas l'appareil à proximité d'un article chauffant, tel un poêle, four ou chauffage.** Le non-respect de cette instruction peut causer une défaillance, générer de la fumée ou provoquer un incendie.
- **Ne placez pas de chandelles ou cigarettes sur le dessus du produit.** Le non-respect de cette instruction peut les faire fondre, générer de la fumée ou provoquer un incendie.
- **Retirez toute la pellicule protectrice en vinyle du produit.** Le non-respect de cette instruction peut la faire fondre, générer de la fumée ou provoquer un incendie.
- **Reliez à un circuit électrique protégé, correctement dimensionné et à la bonne tension pour éviter toute surcharge électrique.** Un mauvais circuit électrique peut fondre, en créant un danger d'électrocution et/ou d'incendie.
- **Retirez toutes pièces d'emballage et éliminez tous les matériaux d'expédition correctement.** Tout non-respect de ces instructions peut entraîner la mort, une explosion, un incendie, ou des brûlures.
- **Pour une installation dans un garage, installez la sècheuse à au moins 46 cm (18 po) au-dessus du plancher.** Tout non-respect de ces instructions peut entraîner la mort, une explosion, un incendie, ou des brûlures.
- **Conservez les matériaux d'emballage hors de la portée des enfants.** Les matériaux d'emballage peuvent être dangereux pour les enfants. Ils font courir un risque de suffocation.

IMPORTANTES INSTRUCTIONS DE SÉCURITÉ

LISEZ TOUTES LES DIRECTIVES AVANT D'UTILISER L'APPAREIL

⚠ AVERTISSEMENT

Pour votre sécurité, vous devez suivre l'information contenue dans ce manuel afin de réduire les risques d'incendie et d'explosion, de choc électrique ainsi que pour éviter les dommages matériels, les blessures corporelles, ou un décès.

INSTRUCTIONS DE SÉCURITÉ POUR L'INSTALLATION

⚠ AVERTISSEMENT

Système d'évacuation d'air/Conduit :

- **L'air des sècheuses à gaz DOIT être évacué à l'extérieur.** Tout non-respect de ces instructions peut entraîner un incendie ou la mort.
- **Il faut évacuer également l'air des sècheuses à l'extérieur pour empêcher toute accumulation de grande quantité d'humidité et de charpie à l'intérieur de la pièce.** Une accumulation de charpie dans une partie de la maison peut entraîner un danger d'incendie et un risque pour la santé.
- **Utilisez uniquement un conduit métallique rigide ou flexible de 101 mm (4 po) de diamètre à l'intérieur de l'armoire de la sècheuse ou pour l'évacuation de l'air vers l'extérieur. L'utilisation des conduits en plastique ou d'autres conduits de type combustible risque de provoquer un incendie.** Un conduit perforé peut provoquer un incendie s'il s'affaisse ou se bloque partiellement en cours d'utilisation ou lors de l'installation.
- **Les pièces pour monter le système de conduits ne sont pas fournies avec la sècheuse. Il sera nécessaire d'obtenir les pièces sur place. La sortie extérieure doit être munie de clapets à charnière pour empêcher tout reflux d'air lorsque la sècheuse est hors tension.** Tout non-respect de ces instructions peut entraîner un incendie ou la mort.
- **Le conduit d'évacuation d'air doit mesurer 4 po (10,2 cm) de diamètres sans obstructions. On doit le maintenir aussi court que possible. Assurez-vous de nettoyer tout vieux conduit avant d'installer votre nouvelle sècheuse.** Tout non-respect de ces instructions peut entraîner un incendie ou la mort.
- **Des conduits métalliques rigides ou semi-rigides sont recommandés entre le mur et la sècheuse. Lors d'une installation spéciale où il est impossible d'effectuer le raccord avec les matériaux recommandés, utilisez un conduit métallique flexible de transition homologué UL uniquement pour le raccord entre la sècheuse et le mur. L'utilisation de ce type de conduit influencera le temps de séchage.** Tout non-respect de ces instructions peut entraîner un incendie ou la mort.
- **N'utilisez PAS de vis à tôle ou d'autres types d'attaches qui pénétreraient dans le conduit et pourraient retenir les charpies et réduire ainsi l'efficacité du système d'évacuation d'air.** Fixez et scellez tous les raccords avec du ruban à conduit. Pour de plus amples détails, suivez les instructions d'installation. Tout non-respect de ces instructions peut entraîner un incendie ou la mort.

INSTRUCTIONS DE SÉCURITÉ POUR LES FONCTIONS DE VAPEUR

⚠ AVERTISSEMENT

Afin de réduire les risques d'incendie, de choc électrique, ou les blessures corporelles lorsque vous utilisez des électroménagers, vous devez toujours suivre les précautions de base, y compris ce qui suit :

- **Ne pas ouvrir la porte de la sècheuse pendant les cycles vapeur.** Le non-respect de ces règles peut entraîner des risques de brûlures.
- **Ne pas sécher des articles ayant été nettoyés, lavés, trempés ou tachés par les composés suivants : essence, solvants de nettoyage à sec ou toute autre substance inflammable ou explosive. Ces substances peuvent produire des vapeurs potentiellement inflammables ou explosives.** Le non-respect de ces règles peut entraîner des risques d'incendies ou la mort.
- **Ne pas remplir l'alimentation de vapeur avec de l'essence, des solvants de nettoyage à sec ou d'autres substances inflammables ou explosives.** Le non-respect de ces règles peut entraîner des risques d'incendies ou la mort.
- **Ne pas toucher l'injecteur de vapeur dans le tambour pendant ou à la fin du cycle vapeur.** Le non-respect de ces règles peut entraîner des risques de brûlures.
- **Ne pas remplir l'alimentation de vapeur avec de l'eau chaude (au-dessus de 30 °C/86 °F).** Le non-respect de ces règles peut entraîner des risques de brûlures.

IMPORTANTES INSTRUCTIONS DE SÉCURITÉ

LISEZ TOUTES LES DIRECTIVES AVANT D'UTILISER L'APPAREIL

⚠ AVERTISSEMENT

Pour votre sécurité, vous devez suivre l'information contenue dans ce manuel afin de réduire les risques d'incendie et d'explosion, de choc électrique ainsi que pour éviter les dommages matériels, les blessures corporelles, ou un décès.

INSTRUCTIONS DE SÉCURITÉ POUR LA RACCORDEMENT À L'ÉLECTRICITÉ

⚠ AVERTISSEMENT

Afin de réduire les risques d'incendie, de choc électrique, ou les blessures corporelles lorsque vous utilisez des électroménagers, vous devez toujours suivre les précautions de base, y compris ce qui suit :

- **Ne coupez et ne retirez dans aucun cas la broche de mise à la terre du cordon d'alimentation.** Branchez le cordon d'alimentation électrique dans une prise bien mise à la terre pour éviter des blessures corporelles ou des dommages à la sècheuse.
- **Pour votre sécurité personnelle, cette sècheuse doit être correctement mise à la terre.** Tout non-respect de cet avertissement peut entraîner des blessures ou l'électrocution.
- **Reportez-vous aux directives d'installation de ce manuel pour les exigences électriques spécifiques de votre modèle.** Tout non-respect de ces instructions peut entraîner une électrocution et/ou un incendie.
- **Cette sècheuse doit être branchée sur une prise correctement mise à la terre. Si la sècheuse n'est pas correctement mise à terre, il peut entraîner une électrocution. Faites vérifier la prise murale et le circuit électrique par un électricien qualifié afin d'assurer leur mise à la terre correcte.** Tout non-respect de ces instructions peut entraîner une électrocution et/ou un incendie.
- **La sècheuse doit toujours être branchée sur une prise électrique distincte qui fournit une tension nominale correspondant à celle inscrite sur la plaque signalétique.** Ce branchement permet de fournir le meilleur rendement et permet aussi d'éviter la surcharge du circuit électrique domestique, ce qui pourrait entraîner un risque d'incendie en raison de la surchauffe des fils électriques.
- **Ne débranchez jamais la sècheuse en tirant sur le cordon d'alimentation. Tenez toujours fermement la fiche électrique et retirez directement de la prise.** Le cordon d'alimentation peut être endommagé, ce qui peut entraîner un danger d'électrocution ou d'incendie.
- **Réparez ou remplacez immédiatement tout cordon d'alimentation effiloché ou endommagé de quelque manière que ce soit. N'utilisez pas de cordon d'alimentation qui affiche des traces de fissures ou d'éraflures sur sa longueur ou aux extrémités.** Le cordon d'alimentation peut fondre, ce qui peut entraîner un danger d'électrocution ou d'incendie.
- **Lors de l'installation ou du déplacement de la sècheuse, attention de ne pas pincer, écraser, ou endommager le cordon d'alimentation.** Cela empêchera des blessures corporelles ou des dommages à votre sècheuse, occasionnés par un incendie ou une électrocution.

CONSERVEZ CES DIRECTIVES

CARACTÉRISTIQUES SPÉCIALES

PLUS GRANDE TAILLE PREMIUM

Le tambour en acier inoxydable à grande capacité offre une durabilité supérieure.

PORTE RÉVERSIBLE À ACCÈS FACILE

Une porte à grande ouverture facilite l'accès au chargement et déchargement de l'appareil. Il est possible d'inverser l'ouverture de la porte en fonction de l'emplacement de l'appareil.

FONCTIONS DE VAPEUR

La technologie Vapeur de LG vous permet d'injecter dans les tissus un jet tourbillonnant de vapeur chaude pour rafraîchir les vêtements, réduire l'électricité statique, faciliter le repassage et contribuer à éliminer les légères taches. Il vous suffit de sélectionner le cycle Steam Fresh™ ou SpotClean™, ou bien d'ajouter l'option Vapeur au cycle sélectionné.

SMARTDIAGNOSIS™

Votre sèche-linge est doté d'un système qui lui permet de transférer les données de toute panne technique au Centre d'Information Client via votre téléphone portable. Un technicien du Centre enregistre les données transmises par votre appareil, analyse le problème et établit un diagnostic rapide et efficace.

SYSTÈME DE DÉTECTION DES BLOCAGES DANS LE CONDUIT D'ÉVACUATION FLOW SENSE™

Le système de détection des blocages dans le conduit d'évacuation FLOW SENSE™ détecte et indique les blocages dans le conduit d'évacuation qui réduisent le flux d'air dans le conduit de la sècheuse. Les circuits d'évacuation propres accroissent l'efficacité et réduisent les temps de séchage.

PANNEAU DE COMMANDE CONVIVAL

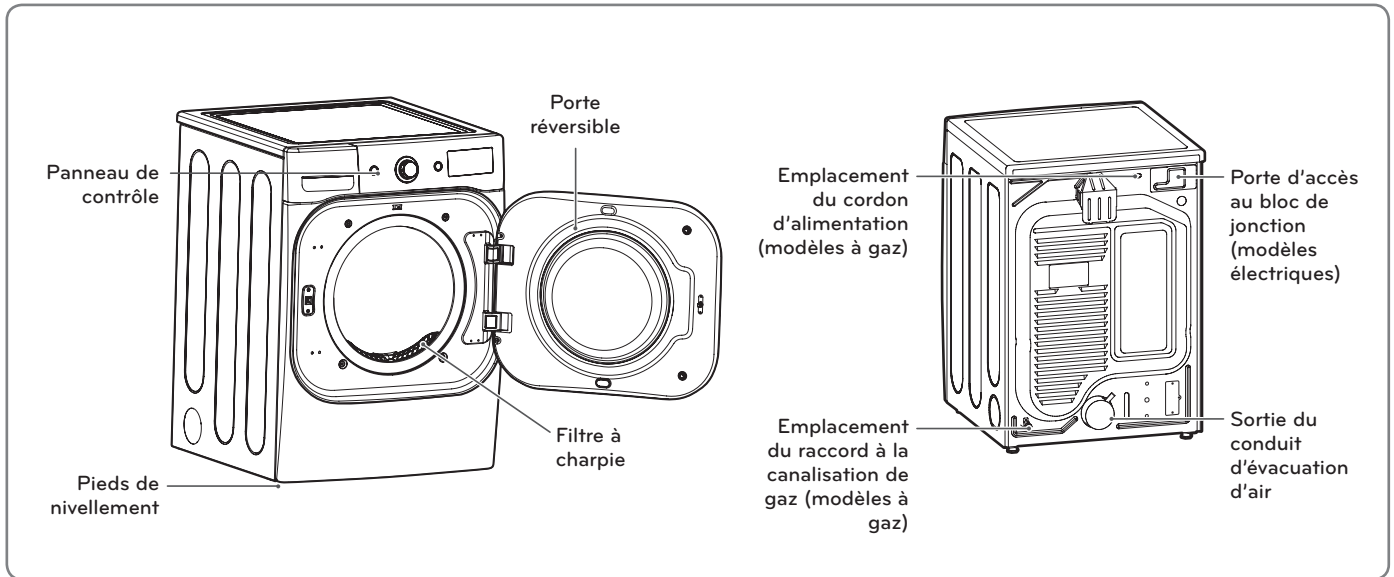
Faites pivoter le bouton sélecteur de cycle au cycle désiré. Ajoutez des options de cycle et ajustez les paramètres au toucher d'un bouton.



Protocole P154
Rendement en matière
d'assainissement des sècheuses
résidentielles

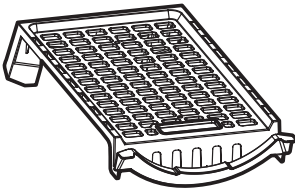
PRESENTATION DE VOTRE SÈCHE-LINGE

Pièces



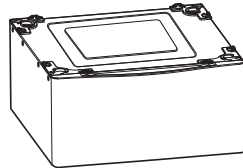
Accessoires

Accesorios incluidos



Grille de séchage

Accessoires en option



**Piédestal
(vendu séparément)**



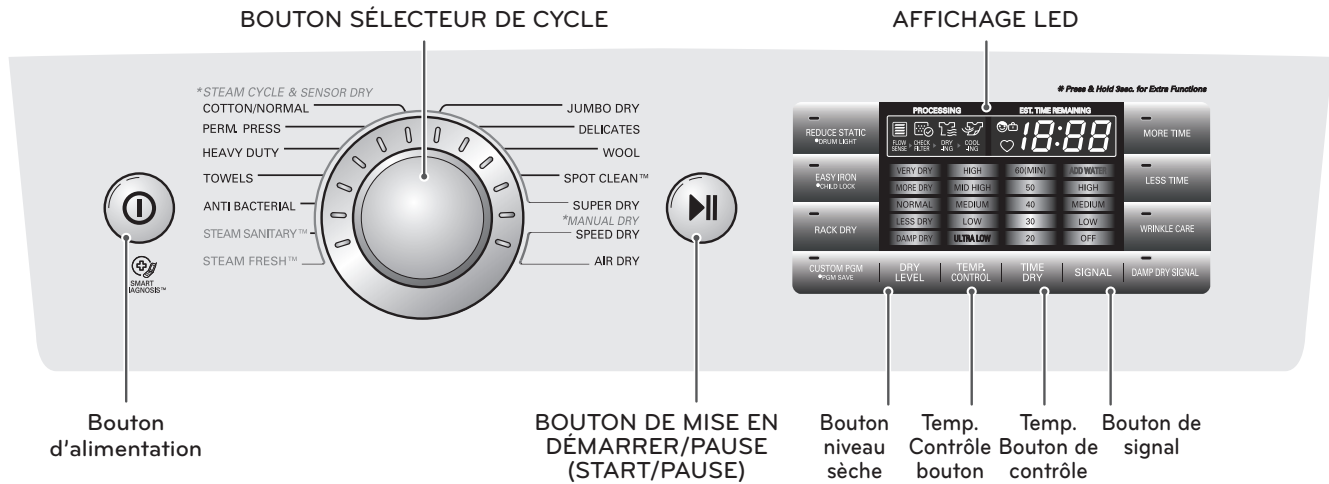
**Trousse d'empilage
(vendu séparément)**

REMARQUE

- Contactez le Service à la clientèle LG au 1-800-243-0000 (1-888-542-2623 au Canada) si un accessoire quelconque est manquant.
- Pour votre sécurité et pour la longévité du produit, utilisez uniquement des composants autorisés. Le fabricant décline toute responsabilité en cas de dysfonctionnement du produit ou d'accidents causés par l'utilisation des composants ou pièces non autorisés et achetés de façon isolée.
- Les illustrations fournies dans ce manuel peuvent être différentes des composants et accessoires réels, et ils peuvent faire

Caractéristiques du panneau de commande

⚠ AVERTISSEMENT: Pour réduire le risque d'incendie, d'électrocution, ou de blessure, lisez tout le manuel, y compris les Instructions importantes de sécurité, avant de faire fonctionner cette sècheuse.



Fonctionnement

Bouton	Description
	<ul style="list-style-type: none"> BOUTON POWER ON / OFF - Appuyez pour ALLUMER ou ETEINDRE votre sèche-linge. Le fait d'appuyer sur la touche de MISE EN MARCHÉ au cours d'un cycle va annuler ce cycle et tous les paramètres associés seront perdus.
	<ul style="list-style-type: none"> BOUTON SÉLECTEUR DE CYCLE - Tournez ce bouton pour sélectionner le cycle désiré. Une fois le cycle désiré sélectionné, les préreglages standard s'afficheront à l'afficheur. Pour les cycles SECHAGE MANUEL (MANUAL DRY), ces paramètres peuvent être réglés à l'aide des boutons de réglage du cycle avant de démarrer le cycle.
	<ul style="list-style-type: none"> BOUTON DE MISE EN DÉMARRER/PAUSE (START/PAUSE) - Appuyez sur ce bouton pour DÉMARRER (START) le cycle sélectionné. Si la sècheuse est en fonction, utilisez ce bouton pour faire une PAUSE dans le cycle sans perdre les paramètres actuels. REMARQUE : Si vous n'appuyez pas de nouveau sur le bouton de pour poursuivre le cycle de séchage en moins de 4 minutes, la sècheuse se mettra automatiquement hors tension.
	<ul style="list-style-type: none"> BOUTONS TEMPS+/TEMPS- (MORE TIME/LESS TIME) - To adjust the drying time, use these buttons with MANUAL DRY, TIME DRY, and STEAM FRESH™ cycles, as well as the REDUCE STATIC and EASY IRON options. Press the MORE TIME button to increase the selected manual cycle time by a minute; press LESS TIME to decrease the cycle time by a minute.
	<ul style="list-style-type: none"> BOUTONS DE RÉGLAGE DU CYCLE - Utilisez ces touches pour ajuster les paramètres du cycle sélectionné.
	<ul style="list-style-type: none"> BOUTONS D'OPTIONS - Les touches OPTION vous permettent de sélectionner des options de cycle additionnelles. Tous les paramètres ne sont pas disponibles pour tous les cycles. Référez-vous à la section GUIDE DE CYCLE de ce guide d'utilisation.
<p>STEAM SANITARY™</p> <p>STEAM FRESH™</p>	<ul style="list-style-type: none"> FUNCTIONS VAPEUR - La nouvelle technologie à vapeur de LG vous permet d'envoyer un jet de vapeur tourbillonnante dans les tissus dans le but de rafraîchir les vêtements, réduire l'électricité statique et faciliter le repassage. Sélectionnez simplement le cycle STEAM FRESH™. Vous pouvez également ajouter une option Vapeur aux cycles sélectionnés.

Affichage heure et statut

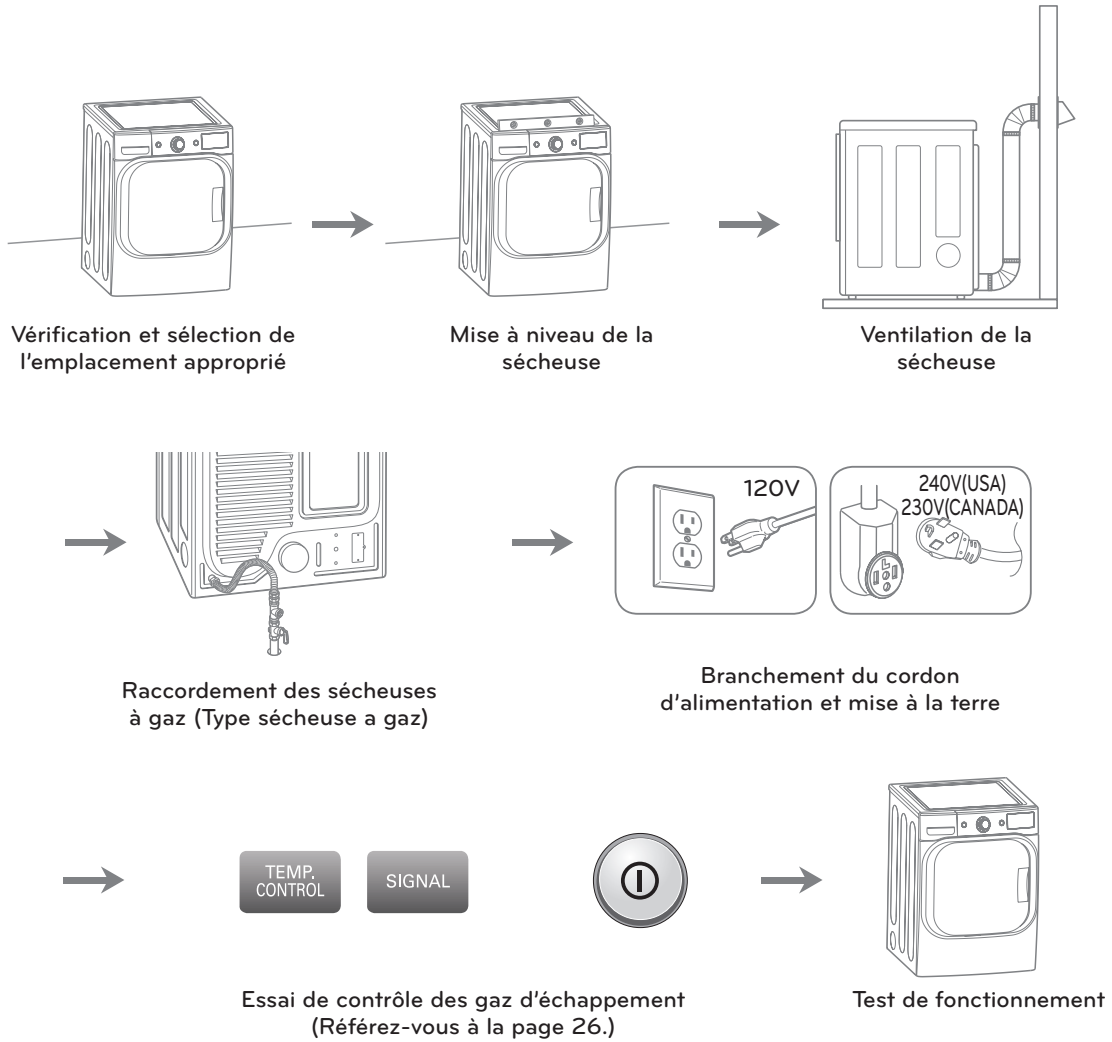
L'écran d'affichage de l'heure et du statut montre les paramètres, le temps restant estimé, les options, et le message de statut de votre sèche-linge.



Bouton	Description
	<ul style="list-style-type: none"> TEMPS RESTANT ENVIRON (ESTIMATED TIME REMAINING) <ul style="list-style-type: none"> - Lorsque le bouton MARCHÉ/PAUSE (START/PAUSE) est enfoncé, la sècheuse affichera le temps estimé (SECHAGE A CAPTEUR) ou le temps réglé (SECHAGE MINUTE) restant et débutera le culbutage. REMARQUE : Le temps des cycles SECHAGE A CAPTEUR (SENSOR DRY) pourrait varier. En effet, la sècheuse recalcule le temps de séchage restant pour optimiser les résultats.
	<ul style="list-style-type: none"> CYCLE COMPLETION INDICATOR WITH CHECK FILTER REMINDER <ul style="list-style-type: none"> - This portion of the display shows which stage of the drying cycle is currently underway (CHECK FILTER, DRYING, COOLING, or WRINKLE CARE).
	<ul style="list-style-type: none"> INDICATEUR D'INDICATEUR DE VERROUILLAGE POUR ENFANTS (CHILD LOCK) <ul style="list-style-type: none"> - Lorsque le VERROUILLAGE POUR ENFANTS (CHILD LOCK) est active, l'indicateur de Child Lock apparaîtra et tous les boutons seront désactivés à l'exception du bouton MARCHÉ/ETEINT (ON/OFF). Cela empêchera un enfant de modifier les réglages alors que la sècheuse est en fonction.
	<ul style="list-style-type: none"> RAPPEL DE VÉRIFICATION DU FILTRE À CHARPIE (CHECK FILTER) <ul style="list-style-type: none"> - L'afficheur indiquera VÉRIFICATION DU FILTRE À CHARPIE (CHECK FILTER) lors de la mise en marche de la sècheuse pour vous rappeler de vérifier le filtre à charpie. Le message s'éteint dès que le bouton de MISE EN MARCHÉ/ARRÊT est enfoncé.
	<ul style="list-style-type: none"> PROGRAMA PERSONALIZADO (CUSTOM PROGRAM) <ul style="list-style-type: none"> - L'option Mon Cycle vous permet de conserver un cycle de séchage personnalisé pour une utilisation ultérieure. Elle vous permet d'enregistrer comme favoris, la température, le niveau de séchage, et d'autres options pour un cycle et de les restaurer en appuyant sur cette touche.
	<ul style="list-style-type: none"> VOYANT DU SYSTÈME DE DÉTECTION DES BLOCAGES DANS LE CONDUIT D'ÉVACUATION FLOW SENSE™ <ul style="list-style-type: none"> - Le système de détection des blocages dans le conduit d'évacuation FLOW SENSE™ détecte et indique les blocages dans le conduit d'évacuation qui réduisent le flux d'air dans le conduit de la sècheuse. Il permet d'améliorer l'efficacité de fonctionnement et de réduire le nombre d'interventions de dépannage, vous réalisez ainsi des économies.

INSTRUCTIONS D'INSTALLATION

Etapes d'Installation



Conditions requises pour l'emplacement d'installation

⚠ AVERTISSEMENT

Lire toutes les directives d'installation dans leur intégralité avant d'installer et d'utiliser votre sècheuse ! Il est important que vous lisiez ce manuel dans son intégralité avant d'installer et d'utiliser votre sècheuse. Vous retrouverez dans les pages qui suivent des directives détaillées pour les raccords électriques et de gaz, ainsi que les exigences en matière d'évacuation de l'air.

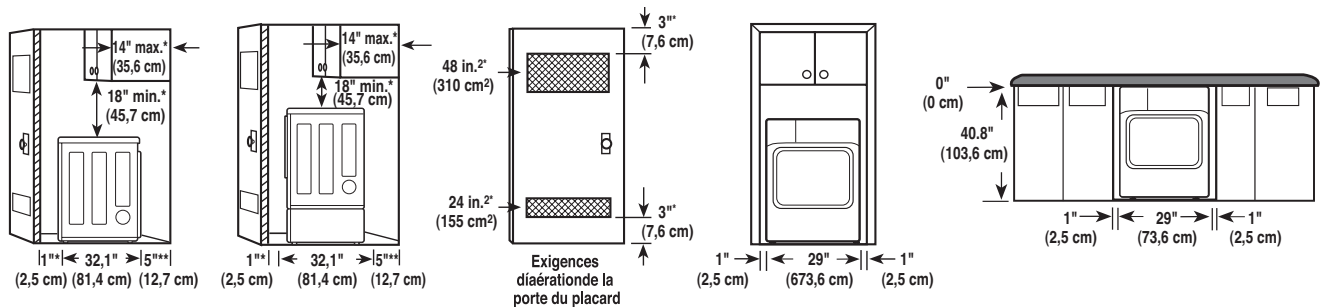
- Emplacement permettant une installation appropriée d'évacuation. L'évacuation d'une sècheuse à gaz doit s'effectuer vers l'extérieur. Voir Exigences de ventilation.
- Une prise électrique avec prise de terre située à 61 cm (2 pieds) maximum sur le côté de la sècheuse. Voir Exigences électriques.
- Un plancher robuste capable d'accepter le poids total de la sècheuse soit 90,7 kg (200 lbs). Le poids combiné d'un appareil associé doit également être pris en considération.
- Aucun autre matériel à combustibles ne peut être installé dans le même placard que la sècheuse.

Évitez de faire fonctionner votre sècheuse si la température passe en dessous de 7°C (45°F). À des températures inférieures, la sècheuse peut ne pas s'arrêter à la fin d'un cycle automatique. Il peut en résulter des temps de séchage prolongés. Vous ne devez pas installer ou stocker la sècheuse dans un endroit exposé aux intempéries ou inondations. Respectez les réglementations en vigueur. Certaines réglementations limitent, voire interdisent, l'installation de sècheuse dans des garages, des placards, des mobiles-homes ou des locaux destinés au sommeil. Contactez le responsable de votre bâtiment.

! REMARQUE

- Un inclinaison maximale du plancher de 2,5 cm (1 pouce) sous l'ensemble de sècheuse. Pour une inclinaison supérieure à 2,5 cm (1 pouce), installez le kit d'extension de pieds de sècheuse. La rotation des vêtements peut ne pas s'effectuer de façon appropriée et des cycles de capteurs automatiques peuvent ne pas fonctionner correctement si la sècheuse n'est pas à niveau.
- Si vous installez la sècheuse dans un garage, vous devez la placer à 46 cm (18 pouces) minimum au-dessus du sol. Si vous la posez sur socle, sa hauteur au bas de la sècheuse doit être de 46 cm (18 pouces).

Dégagements



ESPACE POUR UNE INSTALLATION EN ENCASTREMENT OU DANS UN PLACARD

Les dimensions d'espace suivantes sont recommandées pour cette sècheuse. Nous avons testé cette sècheuse pour un espace utile de 0 cm (0 pouce) les côtés et à l'arrière de l'appareil. Vous devez tenir compte d'un espace pour les raisons suivantes :

- Il faut prendre en compte un espace supplémentaire pour faciliter l'installation et pour l'entretien de l'appareil.
- Des dégagements supplémentaires sont à prévoir pour les moulures au niveau des murs, portes et des planchers.
- Il faut aussi prévoir un espace supplémentaire sur tous les côtés de la sècheuse afin de réduire la propagation du bruit. S'il s'agit d'une installation dans un placard, un minimum d'ouvertures de ventilation doit être réalisé en haut et en bas de la porte du placard. Des portes à persiennes dotées d'ouvertures de ventilation équivalentes sont acceptables.
- Il faut considérer un espace pour un appareil associé.

! REMARQUE

Vous devez maintenir un petit espace autour du sèche-linge (ou de tout autre appareil) pour éviter le transfert de vibrations d'un appareil à un autre. Si les vibrations sont trop fortes, elles pourraient générer du bruit ou conduire les appareils à se toucher, endommageant leurs finitions et générant ainsi encore plus de bruit.

Conditions requises pour l'emplacement d'installation

⚠ AVERTISSEMENT

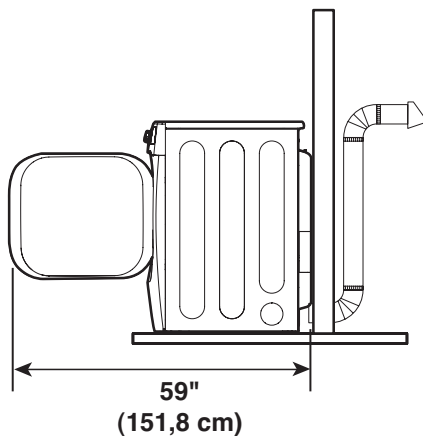
Lire toutes les directives d'installation dans leur intégralité avant d'installer et d'utiliser votre sècheuse ! Il est important que vous lisiez ce manuel dans son intégralité avant d'installer et d'utiliser votre sècheuse. Vous retrouverez dans les pages qui suivent des directives détaillées pour les raccords électriques et de gaz, ainsi que les exigences en matière d'évacuation de l'air.

- Emplacement permettant une installation appropriée d'évacuation. L'évacuation d'une sècheuse à gaz doit s'effectuer vers l'extérieur. Voir Exigences de ventilation.
- Une prise électrique avec prise de terre située à 61 cm (2 pieds) maximum sur le côté de la sècheuse. Voir Exigences électriques.
- Un plancher robuste capable d'accepter le poids total de la sècheuse soit 90,7 kg (200 lbs). Le poids combiné d'un appareil associé doit également être pris en considération.
- Aucun autre matériel à combustibles ne peut être installé dans le même placard que la sècheuse.

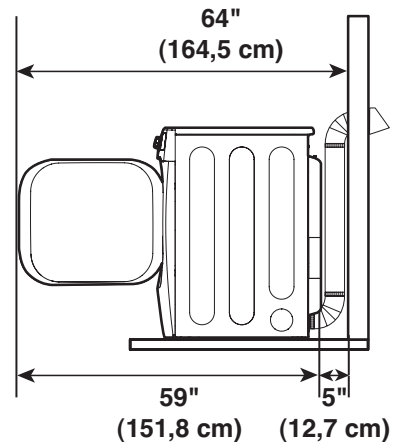
Évitez de faire fonctionner votre sècheuse si la température passe en dessous de 7°C (45°F). À des températures inférieures, la sècheuse peut ne pas s'arrêter à la fin d'un cycle automatique. Il peut en résulter des temps de séchage prolongés. Vous ne devez pas installer ou stocker la sècheuse dans un endroit exposé aux intempéries ou inondations. Respectez les réglementations en vigueur. Certaines réglementations limitent, voire interdisent, l'installation de sècheuse dans des garages, des placards, des mobiles-homes ou des locaux destinés au sommeil. Contactez le responsable de votre bâtiment.

Dégagements (Emplacement Idéal du Sèche Linge.)

La gaine étant installée dans le mur.



La gaine n'étant pas installée dans le mur.



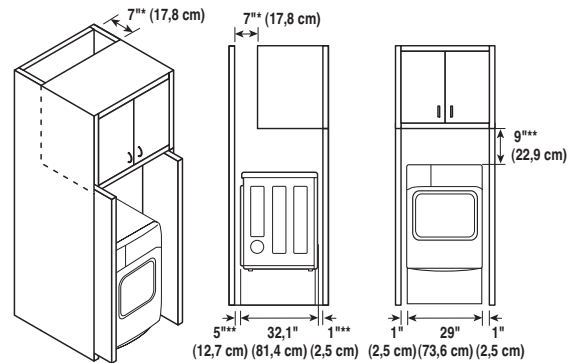
Installtions avec piédestal ou trousse d'empilage en option

ESPACEMENT RECOMMANDÉ POUR UNE INSTALLATION DANS UNE ARMOIRE

- S'il s'agit d'une installation dans une armoire, un minimum d'ouvertures de ventilation doit être réalisé en haut et en bas de la porte du placard.

*Espace requis

- ** Pour une ventilation latérale ou par le bas, un espacement de 5,1 cm (2 pouces) est permis.



LES EXIGENCES DE VENTILATION D'ARMOIRE

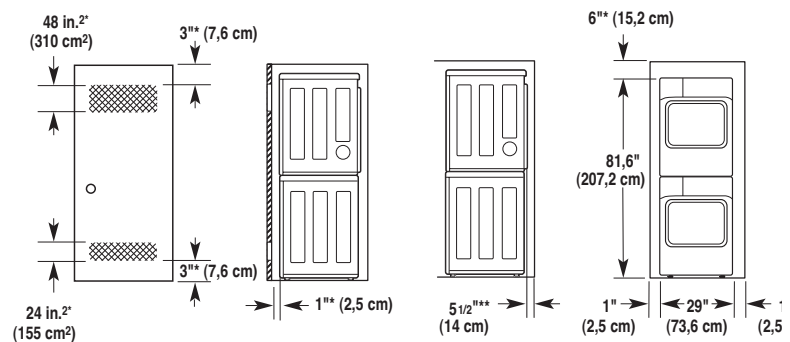
Les armoires avec les portes doivent avoir tous les deux une bouche supérieure et inférieure pour éviter l'accumulation d'humidité et de chaleur dans l'armoire. Une bouche supérieure s'ouvrant avec une ouverture minimale de 310 cm², ne doit pas être installée plus bas qu'à 6 pieds au-dessus du plancher. Une bouche inférieure s'ouvrant avec une ouverture minimale de 155 cm² ne doit pas être installé plus haut qu'à 1 pied au-dessus du plancher. Un exemple montre l'utilisation des grilles de ventilation dans la porte.

ESPACEMENT RECOMMANDÉ POUR L'INSTALLATION DANS UN PLACARD OU UN RENFORCEMENT, AVEC LE SÈCHE-LINGE PLACÉ AU-DESSUS DU LAVE-LINGE.

- Les dimensions indiquées sont celles recommandées pour l'espacement.

*Espace requis

- ** Pour une ventilation latérale ou par le bas, un espacement de 5,1 cm (2 pouces) est permis.



Mise à niveau de la sècheuse

⚠ AVERTISSEMENT

• **Pour réduire le risque de blessure, observer toutes les procédures de sécurité recommandées par l'industrie, y compris l'utilisation de gants à manches longues et de lunettes de sécurité.** Tout non-respect de cet avertissement peut entraîner des blessures graves ou la mort.

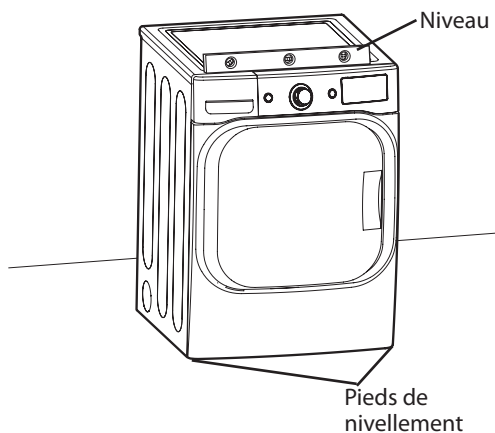
• **Les appareils sont lourds. Deux personnes ou plus sont nécessaires pour déplacer le séchoir (la sècheuse).** Tout non-respect de cet avertissement peut entraîner des blessures graves ou la mort.

Pour optimiser le rendement de l'appareil, la sècheuse doit être à niveau. Pour minimiser la vibration, le bruit, et les mouvements indésirables, le plancher doit être une surface solide et à niveau. Il ne devrait pas y avoir plus de 1" de différence de hauteur sur le plancher entre l'avant et l'arrière ou d'un côté à l'autre.

ⓘ REMARQUE

Ajustez les pieds de nivellement seulement pour répondre aux besoins de mise à niveau de la sècheuse. Les étendre plus qu'il est nécessaire pourrait provoquer des vibrations.

1. Placez la sècheuse à l'endroit où elle demeurera. Placez un niveau en travers de la surface de la sècheuse.

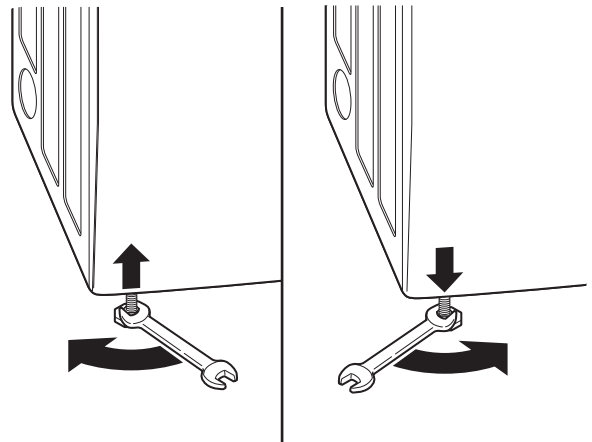


• Les quatre pieds de nivellement doivent reposer solidement sur le plancher. Appuyez délicatement sur les coins supérieurs de la sècheuse pour vous assurer qu'elle ne balance pas d'un coin à l'autre.

Si vous installez la sècheuse sur le piédestal en option, vous devez utiliser les pieds de nivellement du piédestal pour mettre la sècheuse au niveau. Rétractez entièrement les pieds de nivellement de la sècheuse.

2. Utilisez une clé à molette pour tourner les pieds de nivellement. Tournez dans le sens horaire pour élever la sècheuse ou dans le sens antihoraire pour l'abaisser. Élevez ou abaissez les pieds jusqu'à ce que la sècheuse soit à niveau d'un côté à l'autre et de l'avant à l'arrière.

Assurez-vous que les 4 pieds de nivellement sont en contact ferme avec le plancher.



Pour retirer la porte

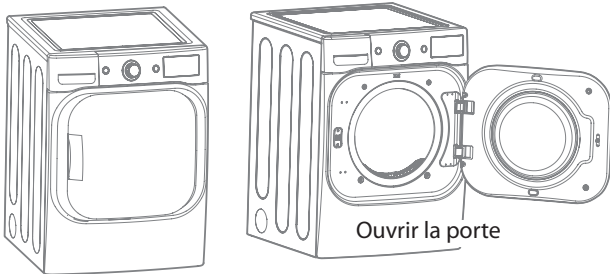
⚠ AVERTISSEMENT

- Pour éviter d'endommager le sèche-linge ou la porte, soutenez la porte en plaçant dessous un tabouret ou une caisse adaptée, ou faites-vous aider d'une personne pour soutenir le poids de la porte.
- Inversez toujours la porte AVANT d'empiler le sèche-linge sur le lave-linge.
- Évitez de laisser tomber la porte pour ne pas l'abîmer ou endommager le sol.

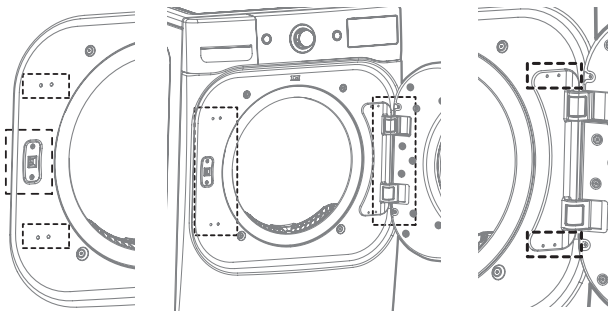
LA PORTE DU SÈCHE-LINGE EST TRÈS LARGE ET LOURDE.

Si vous ne respectez pas les instructions ci-dessous, vous risquez d'endommager le sèche-linge, de provoquer des dégâts matériels ou de vous blesser.

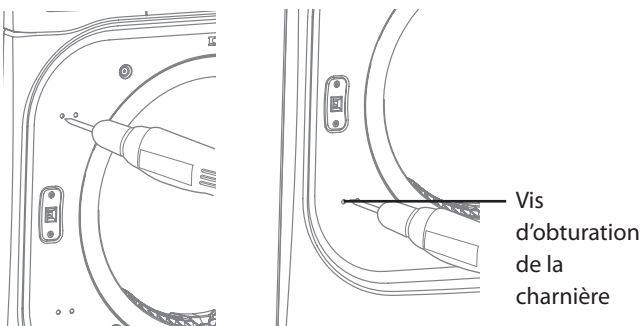
1. Ouvrez la porte pour commencer l'inversion.



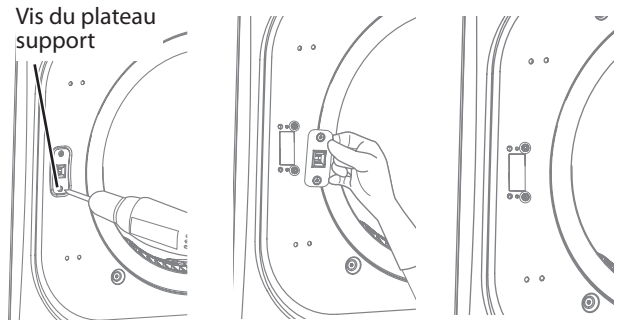
2. Repérez les vis à retirer (6 à gauche, 4 à droite).



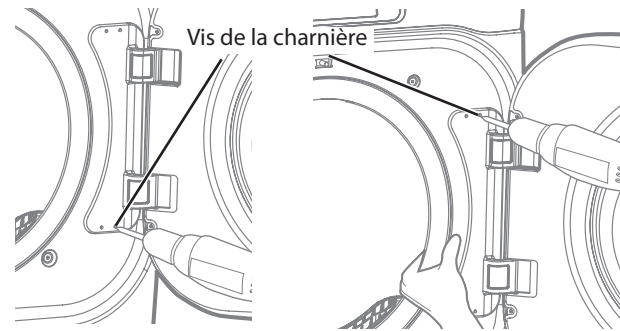
3. Retirez les quatre vis d'obturation.



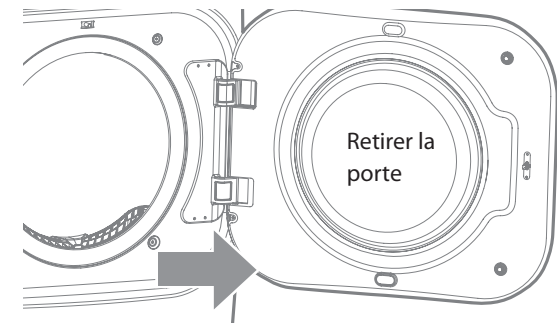
4. Retirez les vis et sortez le plateau support.



5. Soutenez la porte pendant que vous retirez les 2 vis de la charnière. (Ne pas faire tomber la porte.)



6. Retirez la porte de la façade avant de la sècheuse.



Pour installer la porte

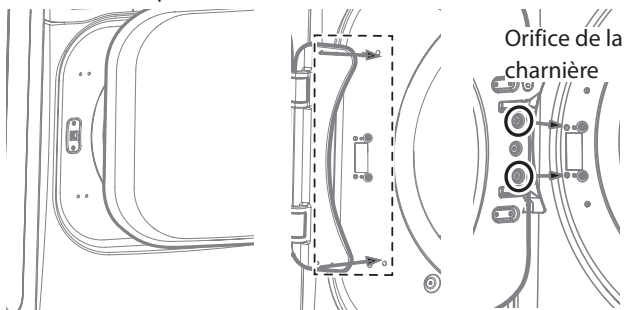
⚠ AVERTISSEMENT

- Pour éviter d'endommager le sèche-linge ou la porte, soutenez la porte en plaçant dessous un tabouret ou une caisse adaptée, ou faites-vous aider d'une personne pour soutenir le poids de la porte.
- Inversez toujours la porte AVANT d'empiler le sèche-linge sur le lave-linge.
- Évitez de laisser tomber la porte pour ne pas l'abîmer ou endommager le sol.

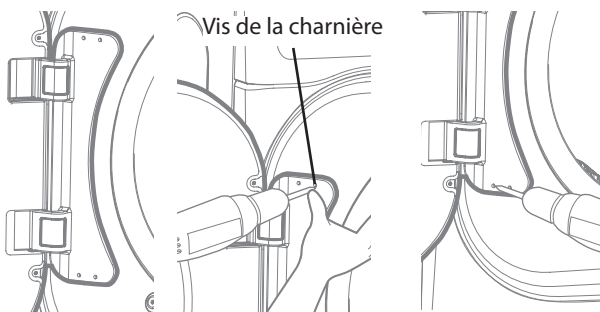
LA PORTE DU SÈCHE-LINGE EST TRÈS LARGE ET LOURDE.

Si vous ne respectez pas les instructions ci-dessous, vous risquez d'endommager le sèche-linge, de provoquer des dégâts matériels ou de vous blesser.

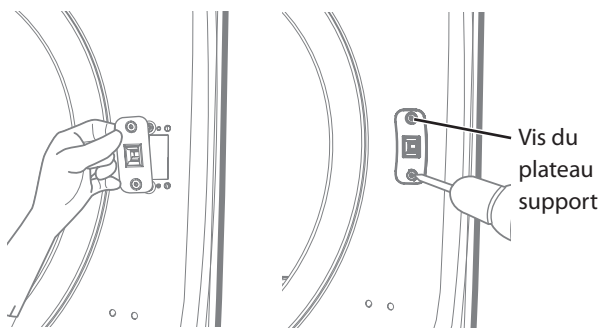
1. Tournez la porte de 180° vers la gauche et insérez la charnière dans l'orifice prévu à cet effet..



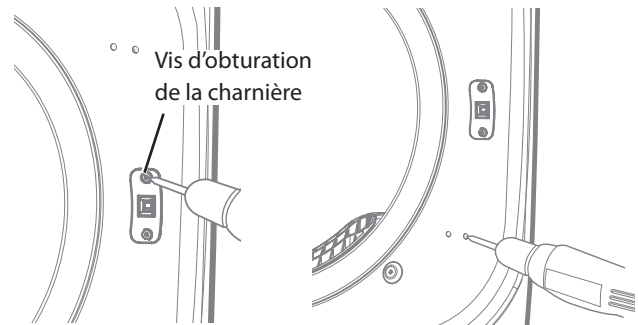
2. Soutenez la porte pendant que vous installez les vis de la charnière. (Ne pas faire tomber la porte.)



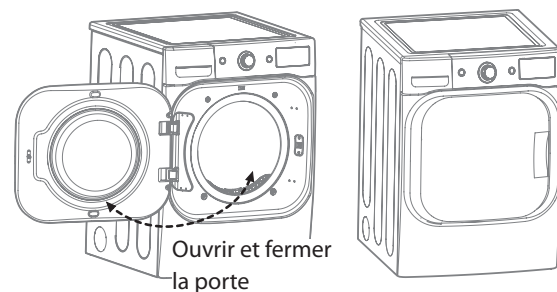
3. Insérez le plateau support sur le côté droit et fixez les vis.



4. Remettez en place les 4 vis d'obturation sur le côté droit.



5. Vérifiez que la porte s'ouvre et se ferme correctement.

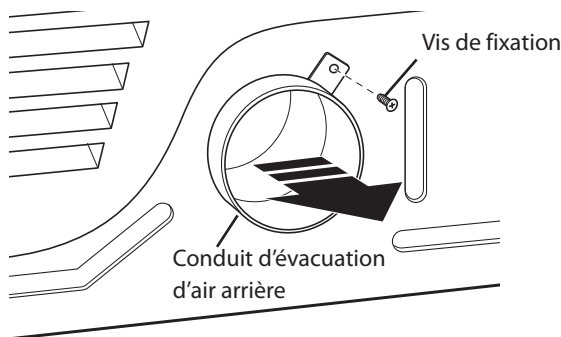


Modification de l'emplacement de la sortie d'air

⚠ AVERTISSEMENT

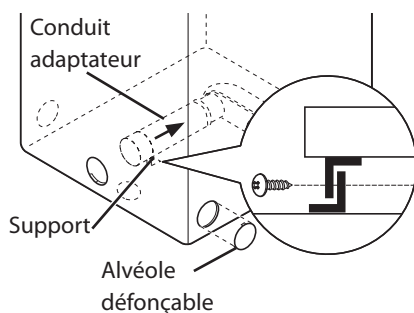
- **Ne pas utiliser de conduit en plastique ou en aluminium mince.**
 - **Nettoyer les anciens conduits avant l'installation de la sècheuse.**
 - **Protégez vos mains et bras des bords coupants lorsque vous travaillez dans la caisse. Veillez à porter des gants.**
 - **Pour réduire le risque de blessure, observez toutes les procédures de sécurité recommandées par l'industrie, y compris l'utilisation de gants à manches longues et de lunettes de sécurité.**
 - Le défaut de respecter toutes les consignes de sécurité de ce manuel peut causer des dommages, des blessures ou la mort. Votre nouvelle sècheuse est livrée avec une sortie d'air arrière. Il est possible d'en modifier la position pour obtenir une sortie d'air sous l'appareil ou sur le côté (la sortie d'air sur le côté droit n'est pas offerte sur les modèles à gaz).
- Une trousse de conversion, pièce no **383EEL9001L**, est offerte chez votre détaillant LG. L'ensemble comprend les éléments nécessaires pour modifier l'emplacement du conduit de la sortie d'air.

1. Dévissez la vis de fixation du conduit d'évacuation d'air arrière. Tirez sur le conduit pour le faire sortir.

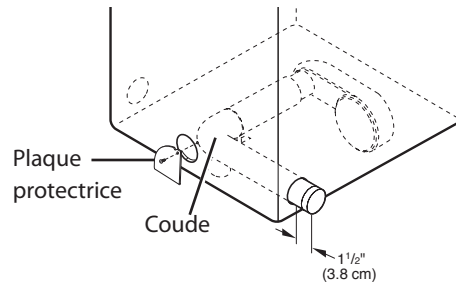


OPTION 1 : SORTIE D'AIR LATÉRALE

2. Appuyez sur les languettes de l'alvéole défonçable et retirez soigneusement la pièce pour dégager l'ouverture voulue (la sortie d'air sur le côté droit n'est pas offerte sur les modèles à gaz). Insérez le conduit adaptateur dans le boîtier de ventilateur et fixez-le à la base de la sècheuse comme indiqué.

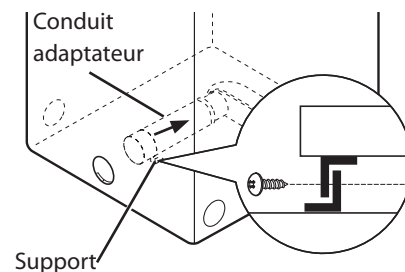


3. Préassemblez un coude de 4 po (10,2 cm) de diamètre à la prochaine section de conduit de 4 po (10,2 cm) et fixez solidement tous les raccords avec du ruban à conduits. Assurez-vous que l'extrémité mâle du coude est dirigé dans le SENS OPPOSÉ de la sècheuse. Insérez l'ensemble coude/conduit dans l'ouverture latérale et enfoncez-le dans le conduit adaptateur. Fixez solidement en position avec du ruban à conduits. Assurez-vous que l'extrémité mâle du conduit dépasse d'environ 1 1/2 po (3,8 cm) pour le raccorder au système de conduits. Fixez la plaque protectrice au dos de la sècheuse avec la vis fournie.

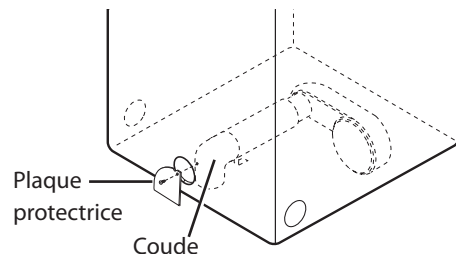


OPTION 2 : SORTIE D'AIR INFÉRIEURE

2. Insérez le conduit adaptateur dans le boîtier de ventilateur et fixez-le à la base de la sècheuse comme indiqué.



3. Insert the 4 inches (10.2 cm) elbow through the rear opening and press it onto the adapter duct. Be sure that the male end of the elbow faces down through hole in the bottom of the dryer. Secure in place with duct tape. Attach the cover plate to the back of the dryer with included screw.



Besoin de ventilation

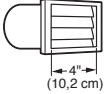
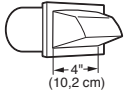
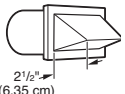
⚠ AVERTISSEMENT

Afin de réduire les risques d'incendie, de choc électrique, ou les blessures corporelles lorsque vous utilisez cet électroménager, vous devez toujours suivre les précautions de base, y compris ce qui suit :

- **N'écrasez pas et ne laissez pas le système de conduits s'affaisser.** Tout non-respect de ces instructions peut entraîner un incendie ou la mort.
- **Ne laissez pas le système de conduits reposer contre ou toucher des objets tranchants.** Tout non-respect de ces instructions peut entraîner un incendie ou la mort.
- **Dans le cas d'un raccord à un système de conduits existant, assurez-vous qu'il convient à cet effet et qu'il est propre avant d'installer la sècheuse.** Tout non-respect de ces instructions peut entraîner un incendie ou la mort.
- **Le système d'évacuation d'air doit être conforme aux codes du bâtiment locaux en vigueur.** Tout non-respect de ces instructions peut entraîner un incendie ou la mort.
- **L'air des sècheuses à gaz DOIT être évacué à l'extérieur.** Tout non-respect de ces instructions peut entraîner un incendie ou la mort.
- **Utilisez uniquement des conduits métalliques rigides ou flexibles de 4 po (10,2 cm) de diamètre à l'intérieur de l'armoire de la sècheuse et pour la ventilation extérieure.** Tout non-respect de ces instructions peut entraîner un incendie ou la mort.
- **Pour réduire le risque d'incendie, de combustion, ou d'accumulation de gaz combustibles, N'acheminez PAS le conduit d'évacuation d'air de la sècheuse dans un endroit clos sans ventilation comme un grenier, un mur, un plafond, une galerie technique, une cheminée, un conduit d'évacuation de la combustion de gaz ou un espace dissimulé d'un édifice.** Tout non-respect de ces instructions peut entraîner un incendie ou la mort.
- **Pour réduire le risque d'incendie, N'évacuez PAS l'air de la sècheuse par un conduit de plastique ou en aluminium mince.** Tout non-respect de ces instructions peut entraîner un incendie ou la mort.
- **Le conduit d'évacuation d'air doit mesurer 4 po (10,2 cm) de diamètres sans obstructions. On doit le maintenir aussi court que possible. Assurez-vous de nettoyer tout vieux conduit avant d'installer votre nouvelle sècheuse.** Tout non-respect de ces instructions peut entraîner un incendie ou la mort.
- **Des conduits métalliques rigides ou semi-rigides sont recommandés entre le mur et la sècheuse. Lors d'une installation spéciale où il est impossible d'effectuer le raccord avec les matériaux recommandés, utilisez un conduit métallique flexible de transition homologué UL uniquement pour le raccord entre la sècheuse et le mur. L'utilisation de ce type de conduit influencera le temps de séchage.** Tout non-respect de ces instructions peut entraîner un incendie ou la mort.
- **N'utilisez PAS de vis à tôle ou d'autres types d'attaches qui pénétreraient dans le conduit et pourraient retenir les charpies et réduire ainsi l'efficacité du système d'évacuation d'air. Fixez et scellez tous les raccords avec du ruban à conduit.** Tout non-respect de ces instructions peut entraîner un incendie ou la mort.
- **Pour optimiser les résultats de fonctionnement de l'appareil, observez les restrictions de longueur de conduit décrites dans le tableau page suivante .** Tout non-respect de ces instructions peut entraîner un incendie ou la mort.
- **Les pièces pour monter le système de conduits ne sont pas fournies avec la sècheuse. Il sera nécessaire d'obtenir les pièces sur place. La sortie extérieure doit être munie de clapets à charnière pour empêcher tout refoulement d'air lorsque la sècheuse est hors tension.** Tout non-respect de ces instructions peut entraîner un incendie ou la mort.
- **La longueur totale du conduit en métal flexible ne doit pas dépasser 2,4 m.**
- **Au Canada, en cas d'utilisation d'un conduit flexible de type feuille métallique, celui-ci doit être spécifiquement identifié par le fabricant comme convenant à une utilisation avec une sècheuse.** Aux États-Unis, en cas d'utilisation d'un conduit flexible de type feuille métallique, celui-ci doit être spécifiquement identifié par le fabricant comme convenant à une utilisation avec une sècheuse et doit être conforme à la « Outline for Clothes Dryer Transition Duct » (Directive pour les conduits de transition des sècheuses), sujet 2158A.

Besoin de ventilation

Système d'évacuation d'air

TYPE DE SORTIE MURALE EXTERNE	NOMBRE DE COUDES DE 90°	LONGUEUR MAX. DE 4 PO (10,2 CM) DE DIAMÈTRE CONDUIT MÉTALLIQUE RIGIDE
Recommandé  4" (10,2 cm)  4" (10,2 cm)	0	65 pi (19,8 m)
	1	55 pi (16,8 m)
	2	47 pi (14,3 m)
	3	36 pi (11,0 m)
	4	28 pi (8,5 m)
Utilisez seulement pour les trajets courts  2 1/2" (6,35 cm)	0	55 pi (16,8 m)
	1	47 pi (14,3 m)
	2	41 pi (12,5 m)
	3	30 pi (9,1 m)
	4	22 pi (6,7 m)

REMARQUE

Déduisez 6 pi (1,8 m) pour chaque coude supplémentaire. Il n'est pas recommandé d'utiliser plus de quatre coudes de 90°.

ACHEMINEMENT ET RACCORD DU SYSTÈME D'ÉVACUATION D'AIR

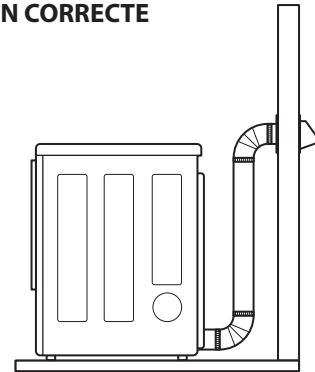
REMARQUE

Suivez les lignes directrices ci-dessous pour optimiser le rendement de l'appareil et réduire l'accumulation de charpies et de condensation dans les conduits.

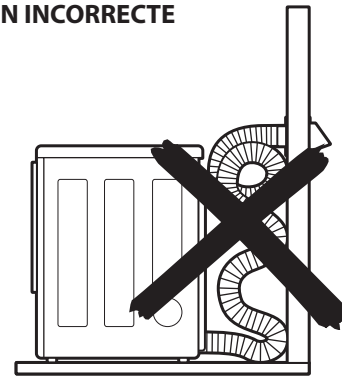
Les conduits et raccords NE sont PAS compris, achetez-les séparément.

- Utilisez des conduits métalliques rigides ou semi-rigides de 4 po (10,2 cm) de diamètre.
- On doit maintenir le conduit d'évacuation d'air aussi court que possible.
- Autant que possible, limitez le nombre de coudes.
- L'extrémité mâle de chaque section du système de conduits doit être dirigé dans le sens opposé de la sécheuse.
- Utilisez du ruban onduits sur tous les raccords.
- Isolez les conduits qui passent dans des aires non chauffées pour réduire la condensation et l'accumulation de charpies sur les surfaces des conduits.
- Tout manquement à évacuer l'air de la sécheuse correctement annulera la garantie de la sécheuse.

VENTILATION CORRECTE



VENTILATION INCORRECTE



Raccordement des sècheuses à gaz

⚠ AVERTISSEMENT

Afin de réduire les risques d'incendie, de choc électrique, ou les blessures corporelles lorsque vous utilisez cet électroménager, vous devez toujours suivre les précautions de base, y compris ce qui suit :

- **Alimentation en gaz requis :**
La sècheuse est expédiée de l'usine prête pour l'utilisation avec du gaz naturel. Elle peut être convertie pour une utilisation avec du gaz de PL (propane liquide). La pression du gaz ne doit pas dépasser 13 po (33 cm) de colonne d'eau.
- **Un technicien de service qualifié ou du fournisseur de gaz doit raccorder la sècheuse à l'alimentation de gaz.** Tout non-respect de ces instructions peut entraîner un incendie, une explosion, ou la mort.
- **Isolez la sècheuse du système d'alimentation en gaz en fermant à la main la soupape de fermeture individuelle de l'appareil lors de tout essai de pression de l'alimentation en gaz.** Tout non-respect de ces instructions peut entraîner un incendie, une explosion, ou la mort.
- **Conduit d'alimentation requis :** La salle de lavage doit être munie d'un tuyau d'alimentation en gaz naturel rigide vers la sècheuse. Aux États-Unis, une soupape de fermeture manuelle individuelle DOIT être installée à au moins 6 pi (1,8 m) de la sècheuse en conformité à la norme ANSI Z223.1 du code national des gaz combustibles ou la norme CSA B149.1 du code canadien pour l'installation de gaz. Veillez à installer un bouchon de canalisation NPT de 1/8 po (3,1 mm). Tout non-respect de ces instructions peut entraîner un incendie, une explosion, ou la mort.
- **Dans le cas de l'utilisation d'un tuyau rigide, le raccord doit être de 1/2 po (12,7 mm) IPS. Si les codes et règlements locaux l'autorisent et que le fournisseur de gaz l'accepte, utilisez une tubulure de 3/8-(9,5 mm) homologuée lorsque les distances sont de moins de 20 pi (6,1 m). Un tubulure de plus grand diamètre devrait être utilisée pour des longueurs dépassant le 20 pi (6,1 m).** Tout non-respect de ces instructions peut entraîner un incendie, une explosion, ou la mort.
- **Raccordez la sècheuse au type de gaz indiqué sur la plaque signalétique.** Tout non-respect de ces instructions peut entraîner un incendie, une explosion, ou la mort.
- **Pour éviter toute contamination de la soupape de fermeture de l'alimentation en gaz, purgez le tuyau d'alimentation de tout air et sédiments avant de le raccorder à la sècheuse. Avant de serrer les raccords entre l'alimentation en gaz et la sècheuse, purgez l'air restant jusqu'à ce que vous déceliez une odeur de gaz.** Tout non-respect de ces instructions peut entraîner un incendie, une explosion, ou la mort.
- **N'utilisez PAS de flamme nue pour rechercher toute trace de fuites. Utilisez un liquide de détection de fuites à l'épreuve de la corrosion.** Tout non-respect de ces instructions peut entraîner un incendie, une explosion, ou la mort.
- **Utilisez uniquement un nouveau tuyau d'alimentation en gaz homologué AGA ou CSA avec des raccords en acier inoxydable flexible.** Tout non-respect de ces instructions peut entraîner un incendie, une explosion, ou la mort.
- **Serrez solidement tous les raccords de gaz.** Tout non-respect de ces instructions peut entraîner un incendie, une explosion, ou la mort.
- **N'essayez PAS de démonter la sècheuse. En effet, tout démontage exige l'attention et les outils d'un technicien de service ou d'une entreprise qualifié(e) et autorisé(e).** Tout non-respect de ces instructions peut entraîner un incendie, une explosion, ou la mort.
- **Appliquez de la pâte pour joints insoluble dans du gaz de pétrole liquéfié (PL) sur tous les filetages.** NeTout non-respect de ces instructions peut entraîner un incendie, une explosion, ou la mort.

Exigences électriques exigés uniquement pour les modèles à gaz

⚠ AVERTISSEMENT

Afin de réduire les risques d'incendie, de choc électrique ou les blessures corporelles lorsque vous utilisez cet électroménager, vous devez toujours suivre les précautions de base, y compris ce qui suit :

- **Ne coupez et ne retirez dans aucun cas la troisième broche de mise à la terre du cordon d'alimentation.** Tout non-respect de ces instructions peut entraîner un incendie, une explosion, ou la mort.
- **Pour votre sécurité personnelle, cette sècheuse doit être correctement mise à la terre.** Tout non-respect de ces instructions peut entraîner un incendie, une explosion, ou la mort.
- **Cette sècheuse est munie d'un cordon d'alimentation doté d'une fiche à prise de terre à trois broches qui se branche sur une prise triphasée murale standard correspondante afin de minimiser le risque de choc électrique.** Tout non-respect de ces instructions peut entraîner un incendie, une explosion, ou la mort.
- **Cette sècheuse doit être branchée dans une prise mise à la terre de 120 volts en c.a. à 60 Hz protégée par un fusible ou un disjoncteur de 15 ampères. Un circuit de branche seulement pour cette sècheuse est recommandé.** Tout non-respect de ces instructions peut entraîner un incendie, une explosion, ou la mort.
- **Si vous avez une prise murale standard à deux fiches, il est de votre responsabilité et obligation de la faire remplacer par une prise murale triphasée.** Tout non-respect de ces instructions peut entraîner un incendie, une explosion, ou la mort.

Raccordement des sècheuses à gaz (suite)

⚠ AVERTISSEMENT

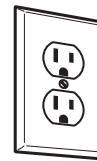
Afin de réduire les risques d'incendie, de choc électrique, ou les blessures corporelles lorsque vous utilisez cet électroménager, vous devez toujours suivre les précautions de base, y compris ce qui suit :

- **L'installation et l'entretien doivent être effectués par un installateur qualifié, une agence de service, ou le fournisseur de gaz.** Tout non-respect de ces instructions peut entraîner un incendie, une explosion, ou la mort.
- **Utilisez uniquement un tuyau flexible neuf en acier inoxydable et un nouveau raccord homologué AGA.** Tout non-respect de ces instructions peut entraîner un incendie, une explosion, ou la mort.
- **Installez une soupape de fermeture de l'alimentation en gaz à moins de 6 pi (1,8 m) de la sècheuse.** Tout non-respect de ces instructions peut entraîner un incendie, une explosion, ou la mort.
- **Assurez-vous que la sècheuse soit dotée de la buse de brûleur correcte pour le type de gaz qui sera utilisé (gaz naturel ou gaz de pétrole liquéfiés). La sècheuse est livrée prête pour une utilisation avec du gaz naturel.** Tout non-respect de ces instructions peut entraîner un incendie, une explosion, ou la mort.
- **Si nécessaire, la buse correcte devra être installée par un technicien qualifié (pour la rousse de conversion PL, commandez la pièce numéro 383EEL3002D), et le changement devra être indiqué sur la sècheuse.** Tout non-respect de ces instructions peut entraîner un incendie, une explosion, ou la mort.
- **Tous les raccords doivent être en conformité avec tous les codes et règlements locaux applicables.** Tout non-respect de ces instructions peut entraîner un incendie, une explosion, ou la mort.
- **L'air des sècheuses à gaz DOIT être évacué à l'extérieur.** Tout non-respect de ces instructions peut entraîner un incendie, une explosion, ou la mort.

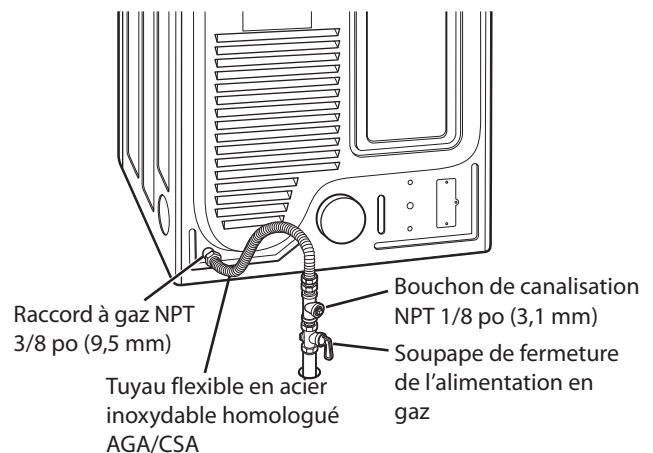
Raccordement de l'alimentation en gaz

1. Assurez-vous que l'alimentation en gaz vers la salle de lavage soit bien COUPÉE. Confirmez que le type de gaz acheminé vers votre salle de lavage soit adéquat pour la sècheuse. L'appareil est prêt à fonctionner au gaz naturel avec un raccord NPT de 3/8-po (9,5 mm).
2. Retirez le capuchon d'expédition du raccord de gaz au dos de la sècheuse. Soyez prudent et n'endommagez pas le filetage du raccord de gaz lors du retrait du capuchon.
3. Raccordez la sècheuse au système d'alimentation en gaz de la salle de lavage avec un nouveau tuyau flexible en acier inoxydable avec raccord NPT de 3/8-po (9,5 mm) de diamètre.
4. Serrez solidement tous les raccords entre la sècheuse et le système d'alimentation en gaz de la salle de lavage. Ouvrez l'alimentation en gaz de la salle et vérifiez tous les raccords de la tuyauterie (autant internes qu'externes) pour toute trace de fuite de gaz avec un liquide de détection de fuites à l'épreuve de la corrosion.

Branchement électrique



Branchez la sècheuse dans une prise triphasée mise à la terre de **120 volts de c.a. à 60 Hz.**



Installations en haute altitude

Le BTU nominal de cette sècheuse est homologué AGA pour une altitude sous les 10 000 pieds (3 048 mètres).

Dans le cas d'une installation de votre sècheuse à gaz à une altitude de plus de 10 000 pi (3 048 m), sa capacité doit être réduite par un technicien qualifié ou le fournisseur de gaz.

Raccordement des sècheuses électriques

⚠ AVERTISSEMENT

Pour aider à empêcher des incendies, des électrocutions, des blessures graves, ou des décès, le câblage et la mise à la terre doivent se conformer à l'édition la plus récente du Code national de l'électricité, ANSI/NFPA 70 et à tous les règlements locaux en vigueur. Veuillez faire vérifier par un technicien qualifié que votre maison a une alimentation électrique suffisamment puissante pour faire fonctionner une sècheuse.

Exigences électriques exigés uniquement pour les modèles électriques

⚠ AVERTISSEMENT

Afin de réduire les risques d'incendie, de choc électrique, ou les blessures corporelles lorsque vous utilisez cet électroménager, vous devez toujours suivre les précautions de base, y compris ce qui suit :

- **Cette sècheuse doit être reliée à un réseau de câblage métallique permanent mis à la terre ou un conducteur de terre pour appareil doit passer avec les conducteurs du circuit et être relié à la borne ou au fil de terre sur la sècheuse.** Tout non-respect de ces instructions peut entraîner un incendie, une explosion, ou la mort.
- **La sècheuse comporte son propre bloc de jonction qui doit être relié à un circuit monophasé distinct de 240 volts à 60 Hz muni d'un fusible de 30 ampères (le circuit doit comporter des fusibles des deux côtés du fil). L'ALIMENTATION ÉLECTRIQUE DEVRAIT ÊTRE À LA TENSION NOMINALE MAXIMALE INDIQUÉE SUR LA PLAQUE SIGNALÉTIQUE DE LA SÈCHEUSE. NE LA RELIEZ PAS À UN CIRCUIT DE 110, 115, OU 120 VOLTS.** Tout non-respect de ces instructions peut entraîner un incendie, une explosion, ou la mort.
- **Si le circuit de dérivation vers la sècheuse est de 15 pi (4,5 m) ou moins de longueur, utilisez un fil no 10 AWG (uniquement en cuivre) homologué UL (Underwriters Laboratories) conformes aux exigences des codes locaux. Si la longueur est de plus de 15 pi (4,5 m), utilisez un fil no 8 AWG (uniquement en cuivre) homologué UL (Underwriters Laboratories) ou conformes aux exigences des codes locaux. Laissez suffisamment de jeu pour permettre de déplacer la sècheuse au besoin.** Tout non-respect de ces instructions peut entraîner un incendie, une explosion, ou la mort.
- **La queue de cochon pour la connexion du cordon d'alimentation entre le réceptacle mural et le bloc de jonction de la sècheuse N'EST PAS fournie avec l'appareil. Le type de queue de cochon et le calibre du fil doivent être conformes aux codes locaux et avec les directives des pages suivantes.** Tout non-respect de ces instructions peut entraîner un incendie, une explosion, ou la mort.
- **Une connexion à 4 fils est exigée pour toutes installations dans les maisons mobiles ou préfabriquées de même que pour toutes nouvelles constructions après le 1er janvier 1996. De plus, une connexion à 4 fils doit être utilisée dans les régions où les codes locaux interdisent la mise à la terre par un fil neutre.** Tout non-respect de ces instructions peut entraîner un incendie, une explosion, ou la mort.

⚠ AVERTISSEMENT

Afin de réduire les risques d'incendie, de choc électrique, ou les blessures corporelles lorsque vous utilisez des électroménagers, vous devez toujours suivre les précautions de base, y compris ce qui suit :

- **N'apportez aucune modification à la fiche et au câblage interne de la sècheuse.**
- **La sècheuse doit être connectée à une prise à 4 pôles.**
- **Si la fiche ne s'adapte pas à la prise murale, faites installer une prise adaptée par un électricien qualifié.**

Exigences électriques particulières pour les maisons mobiles ou préfabriquées

⚠ AVERTISSEMENT

Afin de réduire les risques d'incendie, de choc électrique, ou les blessures corporelles lorsque vous utilisez cet électroménager, vous devez toujours suivre les précautions de base, y compris ce qui suit :

- **Toute installation dans une maison mobile ou préfabriquée doit être conforme au chapitre 24 de la CFR, paragraphes 3280 des normes américaines en matières de sécurité et de constructions de maison préfabriquée ou à la norme canadienne CAN/CSA Z240 MH ainsi qu'aux codes et règlements locaux.**
- **Une connexion à 4 fils est exigée pour toutes installations dans les maisons mobiles ou préfabriquées de même que pour toutes nouvelles constructions après le 1er janvier 1996.** Tout non-respect de ces instructions peut entraîner un incendie, une explosion, ou la mort.

Exigences particulières pour les maisons mobiles ou préfabriquées

Toute installation dans une maison mobile ou préfabriquée doit être conforme au chapitre 24 de la CFR, paragraphes 32-80 des normes américaines en matières de sécurité et de constructions de maison préfabriquée ou à la norme canadienne CAN/CSA Z240 M ainsi qu'aux codes et règlements locaux. En cas de doutes relatifs à la conformité de l'installation par rapport à ces normes, communiquez avec un professionnel en service et installation pour du soutien technique.

- Une sècheuse à gaz doit être définitivement fixée au plancher.
- La connexion électrique pour une sècheuse électrique doit comporter une connexion à 4 fils. Pour des renseignements plus détaillés en matière de connexions électriques, consultez la rubrique Raccordement des sècheuses électriques.
- Pour réduire le risque de combustion et d'incendie, la sècheuse doit être ventilée vers l'extérieur.
- NE ventilez PAS la sècheuse sous une maison mobile ou préfabriquée.
- Utilisez le panneau arrière, droit, gauche, ou inférieur pour ventiler une sècheuse électrique vers l'extérieur.
- Utilisez le panneau arrière gauche ou inférieur pour ventiler une sècheuse à gaz vers l'extérieur. Il est impossible de ventiler une sècheuse à gaz vers l'extérieur par le panneau droit en raison de la présence du module du brûleur.
- Le conduit d'évacuation d'air de la sècheuse doit être solidement fixé à la structure de la maison mobile ou préfabriquée. Il doit être fabriqué d'une matière qui résistera aux flammes et à la combustion. Il est recommandé d'installer un conduit métallique rigide ou flexible.
- NE reliez PAS le conduit d'évacuation d'air à tout autre conduit, système de ventilation, cheminée, ou autre conduit d'évacuation d'air.
- Assurez-vous que la sècheuse dispose d'un accès adéquat à de l'air frais pour garantir un bon fonctionnement. L'ouverture pour l'apport d'air frais extérieur doit être d'au moins 25 po² (163 cm²).
- Il est important de maintenir un dégagement d'au moins 2 po (5 cm) de matières combustibles autour du conduit d'évacuation d'air lors de la ventilation de la sècheuse vers l'extérieur. De plus, la sècheuse doit comporter un dégagement de 1 po (2,5 cm) sur les côtés et au dos de la sècheuse.
- Souvenez-vous que les éléments du système de ventilation ne sont pas fournis avec la sècheuse. Veillez à vous procurer les pièces nécessaires pour une installation adéquate.

Vérification finale de l'installation

Une fois l'installation complète de la sècheuse dans sa position définitive, exécutez les essais suivants et l'évaluation de l'état du conduit d'évacuation sur la page suivante pour confirmer le fonctionnement correct de l'appareil.

Essai du module de chauffage de la sècheuse

MODÈLES À GAZ

Fermez la porte de la sècheuse, appuyez sur le bouton ON/OFF (mise en marche/arrêt) pour démarrer l'appareil réglé à un cycle de séchage à la chaleur. Au démarrage de la sècheuse, le dispositif d'allumage devrait enflammer le brûleur principal.

REMARQUE

Si de l'air est encore présent dans le tuyau d'alimentation en gaz, il est possible que l'allumeur s'éteigne avant que le brûleur principal ne s'enflamme. Dans ce cas, le dispositif d'allumage effectuera une seconde tentative après deux minutes.

MODÈLES ÉLECTRIQUES

Fermez la porte de la sècheuse, appuyez sur le bouton ON/OFF (mise en marche/arrêt) pour démarrer l'appareil réglé à un cycle de séchage à la chaleur. L'air évacué devrait être chaud après un fonctionnement de 3 minutes.

Vérification du débit d'air

Un fonctionnement effectif de la sècheuse exige un débit d'air adéquat. On peut mesurer l'efficacité du débit d'air en évaluant la pression statique à l'aide d'un manomètre. Placez un manomètre sur le conduit d'évacuation d'air à environ 2 pi (60,9 cm) de la sècheuse. La pression statique dans le conduit d'évacuation d'air ne devrait pas excéder les 0,6 po (1,5 cm). Vérifiez le fonctionnement de la sècheuse sans charge.

Vérification du niveau

Une fois la sècheuse installée dans sa position définitive, revérifiez la mise à niveau de la sècheuse. Assurez-vous que la sècheuse soit à niveau de l'avant vers l'arrière et d'un côté à l'autre et que les quatre pieds de nivellement sont fermement posés sur le plancher.

Test d'installation (Contrôle d'échappement)

Lorsque vous avez effectué l'installation du sèche-linge, utilisez ce test pour vous assurer que les conditions du système d'échappement sont adéquates à une opération correcte du sèche-linge. Ce test doit être réalisé pour vous signaler d'éventuels problèmes dans le système d'échappement de votre environnement domestique.

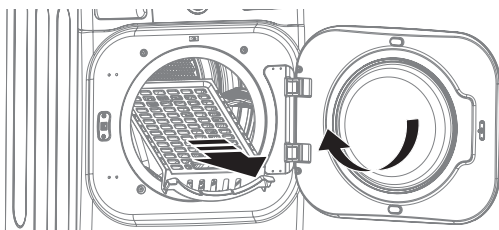
- Le sèche-linge présente la caractéristique FLOW SENSE™, un système de détection innovateur qui détecte automatiquement les blocages et les obstructions du conduit du sèche-linge. Retirer les accumulations de peluches et les obstructions du conduit permet aux vêtements de sécher plus rapidement et réduit la consommation d'énergie.

REMARQUE

Le sèche-linge doit être refroidi avant de commencer le test. Dans le cas où le sèche-linge a chauffé pendant l'installation, lancez un cycle SÉCHAGE À L'AIR (AIR DRY) pendant quelques minutes pour réduire la température intérieure.

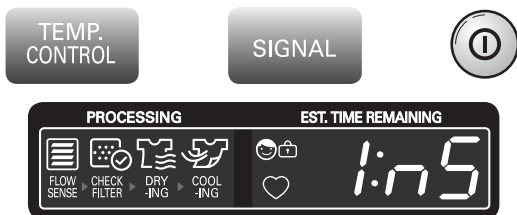
Pour activer le test d'installation :

- Retirez la grille et les manuels, puis fermez la porte** Ne placez rien dans le tambour pendant le test car cela peut avoir une incidence sur la précision des résultats.



- Maintenez les boutons SONNERIE ACTIVÉE/ DESACTIVÉE (SIGNAL ON/OFF) et CONTRÔLE DE TEMPÉRAÉRATION (TEMP. CONTROL) appuyés en même temps puis appuyez sur le bouton MARCHÉ/ÉTEINT (POWER).**

Cette succession de boutons active le test d'installation. Le code **1n5** s'affiche lorsque l'activation est réussie.



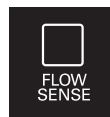
- Appuyez sur le bouton DÉMARRER/PAUSE (START/PAUSE)**

Le sèche-linge va démarrer le test, qui durera environ deux minutes. La chaleur sera activée et les températures à l'intérieur du tambour seront mesurées.



- Vérifiez les résultats qui s'affichent.**

Au cours du cycle de test de deux minutes, vérifiez l'affichage FLOW SENSE™ sur le panneau de contrôle. Si aucune barre ne s'affiche à la fin du cycle, le système d'échappement est correct. Dans le cas où le système d'échappement est sévèrement obstrué, l'affichage indique quatre barres. D'autres problèmes peuvent également être indiqués par des codes d'erreur. Référez-vous à la page suivante pour les détails des codes d'erreurs et les solutions.



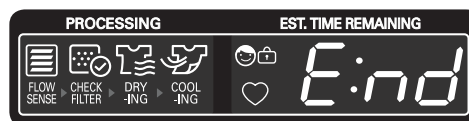
PAS DE BARRES :
OK



QUATRE BARRES :
OBSTRUCTION

- FIN de Cycle.**

A la fin du cycle de test, **End** s'affiche. Le cycle de test se termine et le sèche-linge s'éteint automatiquement après une courte période.



Test d'installation (Contrôle d'échappement) (suite)

- Vérifiez le code d'erreur avant de contacter le service après-vente

Code d'erreur	Cause éventuelles	Solutions
tE1 ou tE2	• Dysfonctionnement du thermostat	• Eteignez le sèche-linge et contactez le service après-vente.
HS	• Dysfonctionnement du détecteur d'humidité..	• Eteignez le sèche-linge et contactez le service après-vente
PS ou PF ou nP	<ul style="list-style-type: none"> • Le câble d'alimentation électrique du sèche-linge n'est pas connecté correctement, ou l'alimentation électrique est incorrecte. • Un fusible a sauté, le disjoncteur du circuit s'est déclenché ou il y a une panne de courant. 	<ul style="list-style-type: none"> • Vérifiez l'alimentation électrique ou la connexion du câble d'alimentation au bloc du terminal. Référez-vous à la section Connexion sèche-linge électrique du présent manuel pour des instructions complètes. • Réinitialisez le disjoncteur du circuit ou remplacez le fusible. Ne pas augmenter la puissance du fusible. Si le problème est une surcharge du circuit, faites-le réparer par un électricien qualifié.

• Vérifiez la condition du conduit

Si le test affiche quatre barres, vérifiez les obstructions et endommagements au système d'échappement. Réparez ou remplacez le système d'échappement si nécessaire.

❗ REMARQUE

Ce test devrait être réalisé lors de l'installation de la sècheuse pour vous indiquer l'existence d'un problème quelconque au niveau du conduit d'évacuation de votre logement. Toutefois, puisque le test fournit des indications plus fidèles sur l'état du conduit d'évacuation lorsqu'il est réalisé dans des conditions normales d'utilisation que lors du test d'installation, il se peut que le nombre de barres affichées au cours des deux tests diffère.

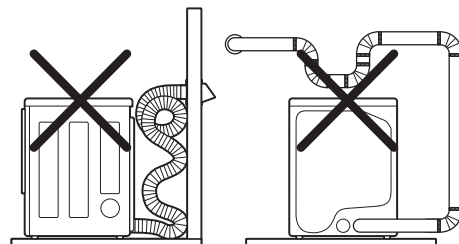
Ne pas interrompre le cycle de test, car cela peut avoir une incidence sur l'exactitude des résultats.

Même si aucune barre ne s'affiche au cours du cycle de test, des obstructions peuvent être présentes dans le système d'échappement. Référez-vous à la section Ventilation du Sèche-linge du présent manuel pour les conditions relatives au système d'échappement et à la ventilation.

Circulation d'air bloquée



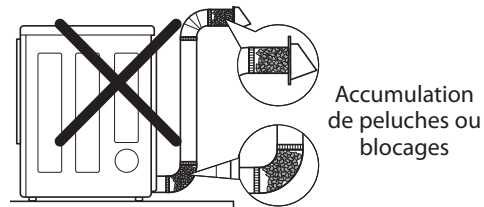
Éviter les longs tuyaux ou les tuyaux comportant plusieurs coudes.



Excès ou conduit de raccord obstrué

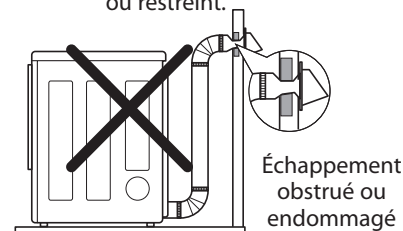
Trop d'espace ou échappement trop long

Vérifier l'existence de blocages et d'accumulation de charpie.



Accumulation de peluches ou blocages

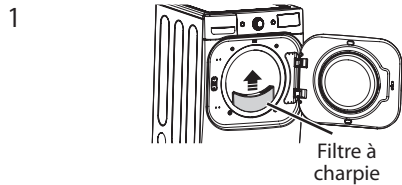
S'assurer que le conduit d'évacuation n'est pas écrasé ou restreint.



Échappement obstrué ou endommagé

MODE D'EMPLOI

Fonctionnement de la sècheuse



NETTOYER LE FILTRE A PELUCHES

Si le filtre à peluches n'a pas déjà été nettoyé, retirez-le et nettoyez les peluches de la charge précédente. Cela permettra d'assurer un séchage plus rapide et efficace.



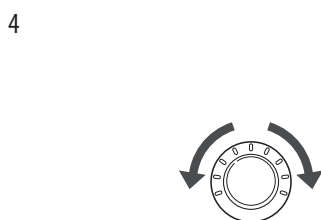
CHARGER LE SECHE-LINGE

Chargez le sèche-linge avec du linge mouillé provenant de la machine à laver. Si la charge est très volumineuse, vous devrez peut-être la répartir en plusieurs charges plus petites afin d'obtenir un meilleur séchage et de prendre soin des vêtements.



METTRE LE SECHE-LINGE SOUS TENSION

Appuyez sur le bouton MARCHÉ/ÉTEINT (POWER) pour mettre le sèche-linge sous tension. Les voyants des programmes s'allumeront et une sonnerie retentira, si celle-ci est activée. Reportez-vous à la page 10.



SELECTIONNER UN PROGRAMME

Tournez le bouton de sélection de programme – dans un sens ou dans l'autre – jusqu'à ce que le voyant du programme voulu soit activé. La température préréglée, le degré de séchage et les paramètres d'options de ce programme s'afficheront. Reportez-vous à la page 28. Les paramètres par défaut pour le programme sélectionné peuvent désormais être modifiés si vous le souhaitez. Cela peut être effectué à l'aide des boutons de modificateur de programme comme indiqué à la page 30. Des options de programme peuvent être ajoutées à l'aide des boutons d'options comme indiqué en pages 30-31.

! REMARQUE

Les options ou modificateurs ne sont pas tous disponibles pour tous les programmes. Un indicateur sonore différent retentira et le voyant ne s'allumera pas si la sélection n'est pas possible.



COMMENCER LE PROGRAMME

Appuyez sur le bouton DÉMARRER/PAUSE (START/PAUSE) pour commencer le programme. Le programme peut être interrompu à tout moment, en ouvrant la porte ou en appuyant sur le bouton DÉMARRER/PAUSE (START/PAUSE). Si le programme n'est pas redémarré dans les 4 minutes qui suivent, le sèche-linge sera mis hors tension et les paramètres du programme seront perdus.



FIN DU PROGRAMME

Lorsque le programme est terminé, une sonnerie retentira si elle a été activée. Retirez immédiatement les vêtements afin de limiter les faux plis. Si ANTIFROISSAGE (WRINKLE CARE) est sélectionné, le tambour du sèche-linge fera quelques tours à quelques minutes d'intervalle pour éviter que les vêtements ne se froissent.

Guide des cycles

Cycle	Type de tissu	Niv. de séchage	Temp.	Temps en min.	Plus/ Moins de temps	Anti-froissage	Bip séchage humide	Réduit l'élect. stat.	Repassage facile
STEAM FRESH™	Couette, chemises, pantalons (Excepte les tissus particulièrement élicats)	ETEINT	MOYEN HAUT	20	○	○		○	○
			REGLABLE	REGLABLE					
STEAM SANITARY™	echarpes, literie, vêtements pour enfants	ETEINT	HAUT	39		○			
ANTI BACTERIAL (ANTIBACTERIEN)	N'utilisez pas ce cycle avec les articles délicats.	TRES	HAUT	70		○			
WOOL (LAINE)	Laine Tissu	NORMAL	ULTRA FAIBLE	26		○			
SPOT CLEAN™	Chemise	ETEINT	HAUT	22		○			
			REGLABLE						
JUMBO DRY	Couvertures chemises	NORMAL	MOYEN HAUT	85		○			
		REGLABLE							
PERM. PRESS (APPRET PERM.)	Pressage permanent, tissus symthetiques	NORMAL	FAIBLE	32		○	○	○	○
		REGLABLE							
COTTON/ NORMAL (COTON /NORMAL)	Vêtements de travail, velours cotele, etc.	NORMAL	MOYEN	41		○	○	○	○
		REGLABLE							
HEAVY DUTY (GROSSE CHARGE)	Jeans, vêtements lourds	NORMAL	HAUT	54		○	○	○	○
		REGLABLE							
DELICATES (DeLICATS)	Lingerie, draps, blouses	NORMAL	FAIBLE	28		○	○	○	○
		REGLABLE							
TOWELS (SERVIETTES)	Denims, serviettes, cotons lourds	NORMAL	MOYEN HAUT	55		○	○	○	○
		REGLABLE							
SPEED DRY (SeCHAGE RAPIDE)	Petites brassées de courte duree	ETEINT	HAUT	25	○	○		○	○
			REGLABLE	REGLABLE					
AIR DRY (SECHAGE A L'AIR)	Pour les vêtements qui doivent être séchés sans chaleur, tels les plastiques ou les caoutchoucs	TRES	NO DE CHALEUR	30	○	○			
				REGLABLE					
SUPER DRY	Vêtements de travail, velours cotele, etc.	TIES	MOYEN	59		○			

CYCLES SÉCHAGE À CAPTEUR (SENSOR DRY)

Les cycles Séchage à Capteur (Sensor Dry) utilisent le système exclusif à double capteur de LG qui décele et compare le niveau d'humidité des vêtements et celui de l'air ambiant et règle le temps de séchage au besoin pour optimiser les résultats. La sècheuse règle automatiquement le niveau de séchage et la température aux paramètres recommandés pour chaque cycle. L'afficheur indiquera le temps restant estimé.

REMARQUE

Pour protéger vos vêtements, les différentes options de niveau de séchage, température, ou autres ne sont pas toutes disponibles avec chacun des cycles.

CYCLES SÉCHAGE MANUEL (MANUAL DRY)

Utilisez les cycles SÉCHAGE MANUEL (Manual Dry) pour sélectionner un temps et une température de séchage. Lors de la sélection d'un cycle Manual Dry, l'afficheur TEMPS RESTANT ENVIRON (ESTIMATED TIME REMAINING) indique le temps réel restant pour votre cycle. Appuyez sur les boutons TEMPS+ (MORE TIME) or TEMPS- (LESS TIME) pour modifier le temps réel du cycle.



Certifié par NSF

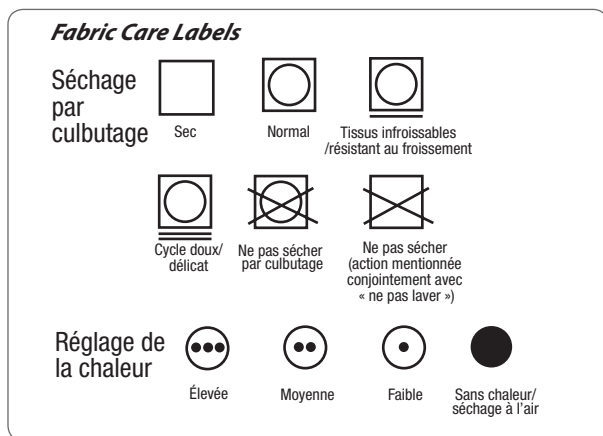
NSF International (anciennement National Sanitation Foundation), certifie que le cycle ANTIBACTÉRIEN réduit de 99,9 % la teneur en bactérie de la lessive effectuée et qu'aucune bactérie n'est transmise à la lessive suivante.

Voici les instructions de mise en marche et d'utilisation de votre nouvelle sècheuse. Veuillez consulter des sections particulières de ce manuel pour de plus amples informations.

Triage des brassées

Étiquettes d'entretien des tissus

La plupart des vêtements possèdent des étiquettes d'entretien des tissus qui affichent les directives pour un soin approprié.



Grouper les articles similaires

Pour de meilleurs résultats, triez les vêtements pour en faire des brassées qui peuvent être séchés au même cycle de séchage.

Différents tissus exigent des soins particuliers et certains d'entre eux séchent plus rapidement que d'autres.

Chargement de la sècheuse

⚠ AVERTISSEMENT

Afin de réduire les risques d'incendie, de choc électrique, ou les blessures corporelles lorsque vous utilisez cet électroménager, vous devez toujours suivre les précautions de base, y compris ce qui suit :

- **Vérifiez toutes les poches pour vous assurer qu'elles sont vides. Des articles comme des trombones, des stylos, de la monnaie, et des clés peuvent endommager votre sècheuse et vos vêtements. Des objets inflammables comme des briquets ou des allumettes risqueraient de s'enflammer et de provoquer un incendie.** Tout non-respect de ces instructions peut entraîner un incendie, une explosion, ou la mort.
- **Ne séchez jamais des vêtements qui ont été exposés à de l'huile, de l'essence, ou d'autres substances inflammables. Le lavage des vêtements n'enlèvera pas complètement les résidus d'huile.** Tout non-respect de cet avertissement peut entraîner des blessures graves, un incendie, l'électrocution, ou la mort.

! REMARQUE

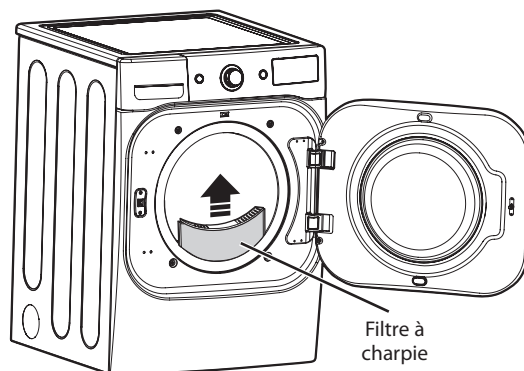
- Combinez les articles grands et petits dans une brassée.
- Les vêtements mouillés prennent du volume au séchage. Ne surchargez pas la sècheuse. Les vêtements ont besoin d'espace pour culbuter et sécher correctement.
- Fermez les fermetures-éclair, les crochets, et les cordons pour les empêcher de s'accrocher ou de s'emmêler aux autres vêtements.

Vérification du filtre à charpie avant tout la brassée

Assurez-vous que le filtre à charpie est toujours propre avant de sécher une nouvelle brassée. En effet, un filtre obstrué par de la charpie augmentera le temps de séchage.

Pour le nettoyer, tirez droit vers le haut sur le filtre et faites une boule de charpie avec vos doigts. Ne rincez pas ni lavez le filtre pour retirer la charpie. Poussez fermement sur le filtre à charpie pour le remettre en place. Voyez la section NETTOYAGE RÉGULIER pour plus de détails.

Assurez-vous que le filtre à charpie soit toujours correctement installé avant de démarrer la sècheuse. Un fonctionnement de la sècheuse avec un filtre lâche ou manquant risquerait d'endommager la sècheuse et les articles dans la sècheuse.



Boutons de réglage des cycles

Les cycles SÉCHAGE À CAPTEUR (SENSOR DRY) possèdent des réglages préprogrammes qui se sélectionnent automatiquement et ne peuvent être modifiés. Les cycles SÉCHAGE MANUEL (MANUAL DRY) comportent des paramètres par défaut mais vous pouvez également personnaliser les paramètres à l'aide des boutons de réglage du cycle. Appuyez sur le bouton correspondant à cette option pour voir et sélectionner d'autres paramètres.

! REMARQUE

Pour protéger vos vêtements, les différentes options de niveau de séchage, température, ou autres ne sont pas toutes disponibles avec chacun des cycles.

NIVEAU DE SÉCHAGE (DRY LEVEL)

Sélectionnez le niveau de séchage du cycle. Appuyez sur le bouton NIVEAU DE SÉCHAGE (DRY LEVEL) à répétition pour défiler à travers les paramètres disponibles.

- Cette option est offerte uniquement avec les cycles SÉCHAGE À CAPTEUR (SENSOR DRY).
- La sécheuse ajustera automatiquement le temps du cycle. La sélection de l'option PLUS SEC (MORE DRY) ou TRÈS SEC (VERY DRY) augmentera le temps du cycle alors que HUMIDE SEC (DAMP DRY) ou MOINS SEC (LESS DRY) le diminuera.
- Utilisez le paramètre HUMIDE SEC (DAMP DRY) ou MOINS SEC (LESS DRY) pour les articles que vous désirez repasser.

CONTRÔLE DE TEMPÉRATURE (TEMP. CONTROL)

Ce bouton règle le paramètre de température de ULTRA FAIBLE (ULTRA LOW) à HAUT (HIGH). Ce réglage permet un entretien précis de vos tissus et vêtements. Appuyez sur le bouton CONTRÔLE DE TEMPÉRATURE (TEMP. CONTROL) à répétition pour défiler à travers les paramètres dispo.

SÉCHAGE MINUTÉ (TIME DRY)

Ce bouton vous permet de sélectionner manuellement le temps de séchage de 20 à 60 minutes par incréments de 10 minutes. Utilisez cette fonction pour les petites brassées ou pour defroisser. Utilisez les boutons TEMPS+/TEMPS- (MORE TIME/LESS TIME) pour augmenter ou réduire le temps de séchage par incréments de u.

Votre sécheuse vous offre plusieurs options de cycle supplémentaires pour personnaliser les cycles et ainsi satisfaire vos besoins individuels. Certains boutons d'options comportent également une fonction spéciale (consultez la page suivante pour les détails) qui peut être actionnée en appuyant et en maintenant ce bouton d'option pendant 3 secondes.

Pour ajouter des options de cycles à un cycle :

1. Mettez en marche la sécheuse et tournez le bouton sélecteur de cycle au cycle désiré.
2. Utilisez les boutons de réglage de cycle pour ajuster les paramètres de ce cycle.
3. Appuyez sur le ou les boutons d'options de cycles afin de sélectionner les paramètres que vous aimeriez ajouter. L'afficheur montrera un message de confirmation.
4. Appuyez sur le bouton DÉMARRER/PAUSE (START/PAUSE) pour démarrer le cycle. La sécheuse démarrera automatiquement.

ANTIFROISSAGE (WRINKLE CARE)

Avec cette option, la sécheuse culbutera la brassée régulièrement sur une période de jusqu'à 3 heures après la fin d'un cycle ou jusqu'à l'ouverture de la porte. C'est une fonction pratique qui aide à prévenir la formation de plis lorsque vous êtes dans l'impossibilité de retirer immédiatement les articles de la sécheuse.

SONNERIE ACTIVÉE/DESACTIVÉE (SIGNAL ON/OFF)

Pour désactiver la sonnerie, appuyez le bouton. Pour activer encore la sonnerie, appuyez le bouton encore.

Fonctions spéciales

Les boutons d'options activent également des fonctions spéciales comme VERROUILLAGE POUR ENFANTS (CHILD LOCK), SÉCHAGE SUR PANIER (RACK DRY), BIP SÉCHAGE HUMIDE (DAMP DRY SIGNAL). Appuyez et maintenez enfoncé le bouton d'option marque de la fonction spéciale pendant 3 secondes pour l'actionner.

* SÉCHAGE SUR PANIER (RACK DRY)

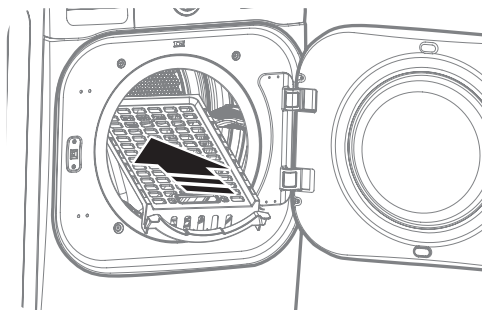
Utilisez la fonction SÉCHAGE SUR PANIER (RACK DRY) avec des articles comme les gilets en laine, la soie, et la lingerie, qui doivent sécher à plat. Utilisez également le SÉCHAGE SUR PANIER (RACK DRY) pour des articles qui ne doivent pas être culbutés comme des chaussures de tennis ou des animaux en peluche. Appuyez sur la touche 'RACK DRY' bouton.

! REMARQUE

N'utilisez JAMAIS la grille avec un cycle de séchage par culbutage.

Installation de la grille de séchage

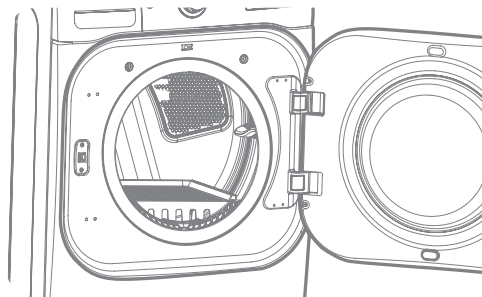
1. Ouvrez la porte de la sècheuse et glissez la grille dans le tambour de la sècheuse.



2. Assurez-vous que la grille est appuyée uniformément sur le bord de la jante interne de la porte et repose à plat à l'intérieur de la sècheuse.

! REMARQUE

Assurez-vous de retirer la grille une fois le cycle SÉCHAGE SUR PANIER (RACK DRY) complet.



* VERROUILLAGE POUR ENFANTS (CHILD LOCK)

Utilisez cette option pour empêcher une utilisation non désirée de la sècheuse ou pour empêcher toute modification des paramètres de cycle lorsque la sècheuse est en fonction. Appuyez et maintenez enfoncé le bouton REPASSAGE FACILE (EASY IRON) pendant 3 secondes pour actionner ou désactiver la fonction VERROUILLAGE POUR ENFANTS (CHILD LOCK). Lorsque le VERROUILLAGE POUR ENFANTS (CHILD LOCK) est active, l'indicateur de Child Lock apparaîtra et tous les boutons seront désactivés à l'exception du bouton MARCHE/ÉTEINT (POWER).

! REMARQUE

Terminer le VERROUILLAGE POUR ENFANTS (CHILD LOCK) après la fin du cycle. Si vous souhaitez désactiver cette fonction, appuyez et maintenez le bouton pendant 3 secondes.

* BIP SÉCHAGE HUMIDE (DAMP DRY SIGNAL)

Avec cette option, la sècheuse émettra une alarme sonore lorsque la brassée sera environ 80% sèche. Elle vous permet de retirer les articles légers qui séchent plus rapidement ou les articles que vous désirez repasser ou suspendre encore un peu humide. Appuyez sur la touche 'DAMP DRY SIGNAL' bouton.

Autres fonctions

* PROGRAMME PERSONNALISE (CUSTOM PROGRAM)

Si vous utilisez une combinaison particulière de paramètres que vous utilisez fréquemment, il est possible de les sauvegarder en tant que PROGRAMME SPÉCIAL (CUSTOM PROGRAM).

* Sauvegarde d'un Programme Spécial

1. Mettez en marche la sècheuse et tournez le bouton sélecteur de cycle au cycle désiré.
2. Utilisez les boutons de réglage de cycle pour ajuster les paramètres de ce cycle.
3. Appuyez sur le ou les boutons d'options de cycles afin de sélectionner les paramètres que vous aimeriez ajouter. L'afficheur montrera un message de confirmation.
4. Appuyez et gardez enfoncé le bouton PROGRAMME SPÉCIAL (CUSTOM PROGRAM) à nouveau pendant 3 secondes.

! REMARQUE

Il n'est possible de sauvegarder qu'un programme personnalisé. Tout autre programme préalablement sauvegardé sera effacé dès que vous appuyez et gardez enfoncé le bouton PROGRAMME SPÉCIAL (CUSTOM PROGRAM).

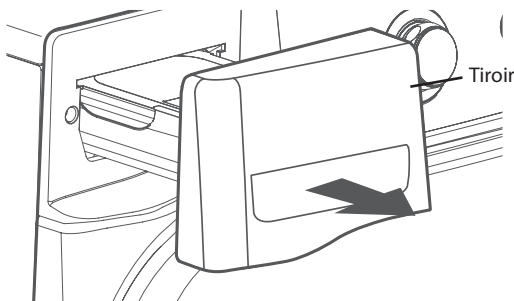
Rappel d'un Programme Spécial :

1. Mettez la sècheuse en marche.
2. Enfoncez le bouton PROGRAMME SPÉCIAL (CUSTOM PROGRAM).
3. Appuyez sur le bouton DÉMARRER/PAUSE (START/PAUSE) pour démarrer le cycle.

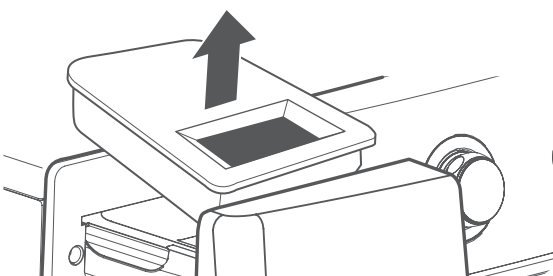
Fonctions de vapeur

Remplissage de l'alimentation de vapeur

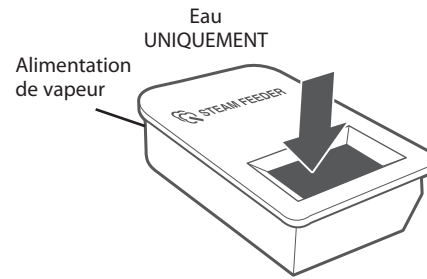
1. Sortez le tiroir.



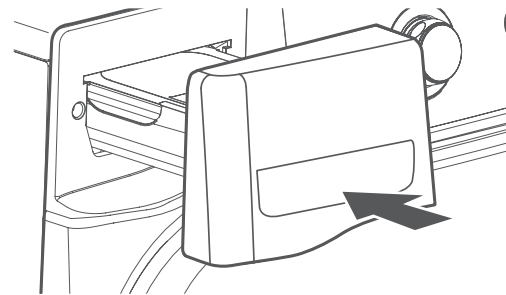
2. Sortez l'alimentation de vapeur de son compartiment.



3. Remplissez le dispositif d'alimentation en vapeur jusqu'à la crépine.



4. Remettez l'alimentation de vapeur dans le compartiment, puis faites glisser le tiroir jusqu'au déclic indiquant un positionnement correct.



! REMARQUE

Avant utilisation d'un cycle Vapeur, l'alimentation de vapeur doit être remplie d'eau jusqu'à la ligne MAX. Dans le cas contraire, Le voyant *Redd* est allumé. Assurez-vous que l'alimentation de vapeur est pleine d'eau et le tiroir est complètement fermé. Éteignez la sècheuse et redémarrez le cycle de vapeur.

- Utilisez uniquement de l'eau. Ne remplissez pas l'alimentation de vapeur avec des substances étrangères, des agents de rinçage ou des détergents.
- Le générateur de vapeur doit être installé; dans le cas contraire, il y aura débordement d'eau.
- Essuyer tout éclaboussure d'eau autour du générateur de vapeur et du tiroir avant de démarrer la sècheuse.
- N'utilisez pas d'eau distillée; la sonde de niveau d'eau dans le générateur de vapeur ne fonctionnera pas.
- Ne remplissez pas l'alimentation de vapeur avec de l'eau chaude (au-dessus de 86° F/ 30° C).

! AVERTISSEMENT

- **Ne remplissez pas l'alimentation vapeur avec des liquides tels que de l'essence, des solvants de nettoyage à sec ou d'autres substances inflammables ou explosives.** Tout non-respect de cet avertissement peut entraîner des blessures graves ou la mort.
- **Ne buvez pas l'eau de l'alimentation de vapeur.** Tout non-respect de cet avertissement peut entraîner des blessures graves ou la mort.

Fonctions de vapeur (suite)

La nouvelle technologie à vapeur de LG vous permet d'envoyer un jet de vapeur tourbillonnante dans les tissus dans le but de rafraîchir les vêtements, réduire l'électricité statique et faciliter le repassage. Sélectionnez simplement le cycle STEAM FRESH™. Vous pouvez également ajouter une option Vapeur aux cycles sélectionnés.

Le Cycle STEAM FRESH™

- Les options RÉDUIT L'ÉLECTRICITÉ STATIQUE (REDUCE STATIC) ou REPASSAGE FACILE (EASY IRON) peuvent également être utilisées pendant le cycle STEAM FRESH™.
- En fonction de la charge (nombre d'articles), la durée du cycle peut être modifiée en appuyant sur les touches TEMPS+ (MORE TIME) ou TEMPS- (LESS TIME). L'écran affichera 3, 5 ou CHARGE $\frac{b}{i}$ $\frac{g}{g}$. 3 pour 3 articles ou moins, 5 pour 4 ou 5 articles et $\frac{b}{i}$ $\frac{g}{g}$ pour une grosse charge telle qu'une couette par exemple.

Utilisation du Cycle STEAM FRESH™ :

1. Allumez la sècheuse et faites pivoter le bouton de sélection de cycle pour sélectionner le cycle STEAM FRESH™.
2. Pour ajouter une option, sélectionnez RÉDUIT L'ÉLECTRICITÉ STATIQUE (REDUCE STATIC), REPASSAGE FACILE (EASY IRON) ou ANTIFROISSAGE (WRINKLE CARE).
3. En fonction de la charge (nombre d'articles), la durée d'injection de vapeur peut être modifiée en appuyant sur les touches TEMPS+ ou TEMPS- (MORE TIME ou LESS TIME).
4. Appuyez sur la touche DÉMARRER/PAUSE (START/PAUSE) pour démarrer le cycle.

Ajout de VAPEUR à un Cycle Standard :

1. Allumez la sècheuse et faites pivoter le bouton de sélection de cycle pour sélectionner le cycle désiré.
2. Utilisez les touches de réglages des cycles pour sélectionner les réglages.
3. Appuyez sur la touche Option Vapeur pour ajouter l'option Vapeur désirée. Puis réglez la taille de la charge en utilisant les touches TEMPS+ ou TEMPS- (MORE TIME ou LESS TIME).
4. Appuyez sur la touche DÉMARRER/PAUSE (START/PAUSE) pour démarrer le cycle.

Utilisation des Options Vapeur :

Cette option injecte de la vapeur tardivement dans le cycle de séchage pour réduire l'électricité statique causée par les tissus frottant les uns contre les autres. Modifiez la durée du cycle en appuyant sur les touches TEMPS+ ou TEMPS- (MORE TIME ou LESS TIME) en fonction de la charge (nombre d'articles). L'écran affichera le nombre recommandé d'articles (7, 9, 11, 14, 16, ou 18).

L'option REPASSAGE FACILE (EASY IRON) humidifie uniformément les tissus pour un gain de temps et un repassage facilité. Modifiez la durée du cycle en appuyant sur les touches TEMPS+ (MORE TIME) ou TEMPS- (LESS TIME) en fonction de la charge (nombre d'articles). L'écran affichera le nombre recommandé d'articles (1, 2, 3, 4 ou 5).

! REMARQUE

- Lorsque le cycle SÉCHAGE À CAPTEUR (SENSOR DRY) est sélectionné avec l'option RÉDUIT L'ÉLECTRICITÉ STATIQUE (REDUCE STATIC) un NIVEAU DE SÉCHAGE (DRY LEVEL) de MOINS (LESS) ou HUMIDE (DAMP) ne peut être sélectionné.
- Les options RÉDUIT L'ÉLECTRICITÉ STATIQUE (REDUCE STATIC), REPASSAGE FACILE (EASY IRON) peuvent également être utilisées pendant les cycles SÉCHAGE MINUTÉ (TIME DRY).
- Après sélection de l'option Vapeur en SÉCHAGE MINUTÉ (TIME DRY), les touches TEMPS+ ou TEMPS- (MORE TIME ou LESS TIME) modifieront UNIQUEMENT la durée d'injection de vapeur.
- Après avoir appuyé sur les touches DÉMARRER/PAUSE (START/PAUSE), les touches MORE TIME ou LESS TIME seront désactivées.

Utilisation du cycle STEAM SANITARY™

Le cycle STEAM SANITARY™ est idéal pour la désinfection rapide et facile des vêtements non lavables en utilisant uniquement la puissance de la vapeur. Ce cycle est recommandé pour les vêtements en fibres de coton et de polyester. (NE PAS utiliser ce cycle pour le linge en mousse d'uréthane, en plumules ou des objets délicats)

Utilisez le Cycle SPOT CLEAN™

Le SPOT CLEAN™ exploite la puissance de la vapeur pour non seulement réduire le nombre de plis et les odeurs des tissus, mais également optimiser la performance de la solution anti-tâche. Ces solutions sont conçues pour servir en cas de prise en charge immédiate des tâches.

! REMARQUE

- Il est recommandé d'utiliser SPOT CLEAN™ uniquement pour enlever des tâches légères et solubles dans de l'eau.
- En effet, SPOT CLEAN™ n'agit pas aussi efficacement sur des tâches dissolubles, des tâches causées par des matières autres que les aliments ou les boissons et les tâches résistantes ou datant de longtemps.
- Le cycle de nettoyage de tâche s doit être utilisé immédiatement après traitement avec une solution anti-tâche.

Pour Utiliser le Cycle SPOT CLEAN™

1. Remove excess residue from the stain with a damp towel or napkin.
2. Apply "STAIN REMOVAL SOLUTION" onto the stain.
3. Load the pre treated item into the dryer and select and start the spot clean cycle.

Fonctions de vapeur (suite)

⚠ AVERTISSEMENT

- **Ne pas ouvrir la porte de la sècheuse pendant les Cycles Vapeur.** Tout non-respect de cet avertissement peut entraîner des blessures graves ou la mort.
- **Ne pas remplir l'alimentation vapeur avec de l'essence, des solvants de nettoyage à sec ou d'autres substances inflammables ou explosives.** Le non-respect de cette instruction peut la faire fondre, générer de la fumée ou provoquer un incendie.
- **Ne pas toucher l'injecteur de vapeur dans le tambour pendant ou à la fin du Cycle Vapeur.** Tout non-respect de cet avertissement peut entraîner des blessures graves ou la mort.

! REMARQUE

- La vapeur n'est pas visible pendant les Cycles Vapeur. C'est normal.
- Ne pas utiliser STEAM FRESH™ sur les articles suivants : les lainages, les couvertures, les vestes en cuir, la soie, les vêtements humides, les produits en mousse ou les couvertures chauffantes.
- Pour de meilleurs résultats, ne remplir la sècheuse qu'avec des vêtements de tailles équivalentes ou des types de textiles similaires. Ne pas surcharger.
- Si le filtre à charpie ou le conduit d'évacuation sont bouchés, les résultats des options VAPEUR ne seront pas satisfaisants.
- Lorsque l'option Vapeur est en fonctionnement, le tambour arrêtera de tourner pour y maintenir la vapeur.
- L'alimentation vapeur doit être remplie d'eau jusqu'à la ligne MAX. Dans le cas contraire, un message d'erreur s'affichera.

Guide des cycles vapeur

	VAPEUR	DUREE PAR DEFAUT	CONTRÔLE DE TEMPÉRAÉRATION	NIVEAU DE SECHAGE	ETAT DES TEXTILES	TYPE DE TEXTILE	QUANTITE MAXIMALE
STEAM SANITARY™		39 minutes			Sec	Écharpes Literie	Unique (1 de chaque)
				Vêtements pour enfants		3 lbs.	
SPOT CLEAN™		22 minutes	○		Sec	Chemise*	Unique (1 de chaque)
STEAM FRESH™		20 minutes	○		Sec	Consolateur	Unique (1 de chaque)
						Chemises	5 de chaque
	+ RÉDUIT L'ELECTRICITE STATIQUE	10 minutes			Sec	Chemises	8 lbs. (18 ARTICLES)
	+ REPASSAGE FACILE	12 minutes			Sec	Chemises	Chemises (5 de chaque)
OPTION VAPEUR	+ RÉDUIT L'ELECTRICITE STATIQUE	SUIVRE LES INSTRUCTIONS DU CYCLE SÉLECTIONNÉ		○	Mouillé	Varie par cycle sélectionné	8 lbs. (18 ARTICLES)
	+ REPASSAGE FACILE			○	Mouillé	Varie par cycle sélectionné	Chemises (5 de chaque)
SÉCHAGE MINUTÉ	+ RÉDUIT L'ELECTRICITE STATIQUE	45 minutes	○		Mouillé	Varie par cycle sélectionné	8 lbs. (18 ARTICLES)
	+ REPASSAGE FACILE	47 minutes	○		Mouillé	Varie par cycle sélectionné	Chemises (5 de chaque)

- Chemise : mélange 70% coton:30% polyester.
- Si le filtre à charpie ou le conduit d'évacuation sont bouchés, les résultats des options VAPEUR ne seront pas satisfaisants.
- Pour de meilleurs résultats, ne remplir la sècheuse qu'avec des vêtements de tailles équivalentes ou des types de textiles similaires. Ne pas surcharger.

ENTRETIEN

Nettoyage régulier

⚠ AVERTISSEMENT

Afin de réduire les risques d'incendie, de choc électrique, ou les blessures corporelles lorsque vous utilisez des électroménagers, vous devez toujours suivre les précautions de base, y compris ce qui suit :

- **Débranchez votre sècheuse avant de la nettoyer pour éviter le risque d'électrocution.** Tout non-respect de ces instructions peut entraîner des blessures, un incendie, une électrocution, ou la mort.
- **N'utilisez jamais de produits chimiques puissants, de nettoyeurs abrasifs, ou de dissolvants pour nettoyer votre sècheuse.** Ils endommageront sa surface.

Nettoyage de l'extérieur

PU n'entretien adéquat de votre sècheuse peut prolonger sa durée de vie utile. L'extérieur de la machine peut être nettoyé à l'eau chaude, avec un détergent ménager doux et non abrasif.

Essayez immédiatement tout déversement à l'aide d'un chiffon doux et humide.

⚠ REMARQUE

N'utilisez jamais d'alcool méthylique, de solvant, ou de produits similaires.

N'utilisez jamais de laine d'acier ou de nettoyeurs abrasifs ; ils pourraient endommager la surface.

Nettoyage de l'intérieur

Essayez autour de l'ouverture et du joint de la porte avec un chiffon doux et humide pour prévenir l'accumulation de charpie et de poussières qui pourraient endommager le joint de porte.

Nettoyez le hublot avec un chiffon doux humidifié avec de l'eau chaude et un détergent ménager doux et non abrasif puis essayez pour sécher.

Il est possible de nettoyer le tambour en acier inoxydable avec un nettoyeur pour acier inoxydable traditionnel conformément aux directives du fabricant. N'utilisez jamais de laine d'acier ou de nettoyeurs abrasifs ; ils pourraient égratigner ou endommager la surface.

Nettoyage autour et sous la sècheuse

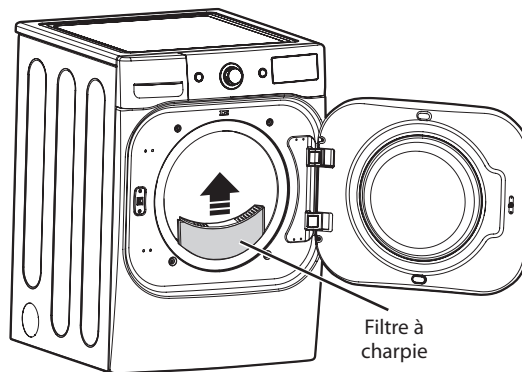
Aspirez régulièrement la charpie et la poussière autour et sous la sècheuse. Au moins une fois par année, vérifiez le système de conduits, contrôlez pour toute accumulation de charpie et nettoyez-les. Si vous remarquez une réduction du débit d'air ou une chute du rendement de la sècheuse, vérifiez immédiatement le système de conduits pour toute obstruction et blocage.

Entretien du système de conduits

Au moins une fois par mois, vérifiez le système de conduits, contrôlez pour toute accumulation de charpie et nettoyez-les. Si vous remarquez une réduction du débit d'air ou une chute du rendement de la sècheuse, vérifiez immédiatement le système de conduits pour toute obstruction et blocage. Communiquez avec un technicien ou un fournisseur de service.

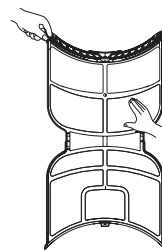
Nettoyage du filtre à charpie

Nettoyez toujours le filtre à charpie après chaque cycle.

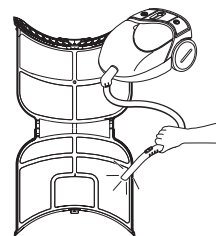


Pour le nettoyer, tirez droit vers le haut sur le filtre. Puis :

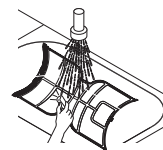
1. Faites une boule de charpie avec vos doigts, ou



2. Nettoyez le filtre à charpie avec un aspirateur, ou



3. En cas le filtre en peluche est devenu très sale, ou est bouché avec l'assouplissant de tissu, lavez le dans l'eau chaude et savonneuse et laissez sécher complètement avant d'en réinstaller.



⚠ REMARQUE

N'utilisez JAMAIS la sècheuse sans le filtre à charpie en place. NE JAMAIS faire fonctionner la sècheuse avec un filtre à peluches humide.

DÉPANNAGE

Avant d'appeler le service

Votre sècheuse est dotée d'un système de contrôle des erreurs automatique qui détecte et diagnostique les problèmes dès leur apparition. Si votre sècheuse ne fonctionne pas correctement ou ne fonctionne pas du tout, vérifiez les éléments suivants avant d'appeler le service.

Problèmes	Causes possibles	Solutions
La sècheuse refuse de se mettre en marche	<ul style="list-style-type: none"> Le cordon électrique n'est pas correctement branché. Un fusible de maison a grillé, un disjoncteur s'est déclenché, ou il y a une panne de courant. 	<ul style="list-style-type: none"> Assurez-vous que la fiche soit bien enfichée dans une prise mise à la terre correspondante à la plaque signalétique de la sècheuse. Réinitialisez le disjoncteur ou remplacez le fusible. N'augmentez pas la capacité du fusible. Si le problème est un circuit surchargé, faites-le corriger par un électricien qualifié.
Sècheuse ne chauffe pas	<ul style="list-style-type: none"> Un fusible de maison a grillé, un disjoncteur s'est déclenché, ou il y a une panne de courant. Alimentation en gaz fermée ou service coupé (uniquement pour les modèles à gaz). 	<ul style="list-style-type: none"> Réinitialisez le disjoncteur ou remplacez le fusible. N'augmentez pas la capacité du fusible. Si le problème est un circuit surchargé, faites-le corriger par un électricien qualifié. Confirmez l'ouverture de la soupape d'alimentation de la maison et de la soupape de fermeture de l'alimentation en gaz de l'appareil.
Taches graisseuses ou sales sur les vêtements	<ul style="list-style-type: none"> Assouplisseur mal utilisé. Séchage de vêtements propres et souillés ensemble. 	<ul style="list-style-type: none"> Confirmez et suivez les directives fournies par le fabricant de l'assouplisseur. Assurez-vous de ne sécher que des vêtements propres dans votre sècheuse. En effet, des articles sales peuvent souiller les vêtements propres de la même brassée ou la brassée subséquente. Les taches sur des vêtements secs sont en réalité des taches que le lavage n'a pu retirer correctement. Assurez-vous que les vêtements sont complètement propres en conformité avec les directives de votre machine à laver et votre détergent.
L'afficheur montre le code d'erreur tE1 ou tE2	<ul style="list-style-type: none"> La thermistance est défectueuse. 	<ul style="list-style-type: none"> Éteignez la sècheuse et appelez le service.
Présence de charpie sur les vêtements	<ul style="list-style-type: none"> Le filtre à charpie n'est pas bien nettoyé. Triage incorrect des brassées. Excès d'électricité statique dans les vêtements. Sècheuse surchargée. Papier mouchoir, papier, etc. présent dans les poches. 	<ul style="list-style-type: none"> Assurez-vous que le filtre à charpie est propre avant chaque brassée. Avec certaines brassées qui produisent une quantité élevée de charpie, il sera peut-être nécessaire de nettoyer le filtre en cours de cycle. Certains tissus produisent de la charpie (comme une serviette de coton blanche pelucheuse) et devraient séchés séparément des vêtements qui attirent la charpie (comme une paire de pantalon de lin noir). Consultez la rubrique Électricité statique excessive dans les vêtements après du séchage plus bas. Divisez les grosses brassées de lessive en brassées plus modestes pour le séchage. Vérifiez soigneusement les poches avant la lessive et le séchage des vêtements.
Électricité statique excessive dans les vêtements après du séchage	<ul style="list-style-type: none"> Aucun assouplisseur utilisé ou assouplisseur utilisé incorrectement. Les vêtements ont séché trop longtemps (excès de séchage). Séchage de tissus synthétiques, infroissables, ou fait de mélanges de fibres synthétiques. 	<ul style="list-style-type: none"> Utilisez un assouplisseur pour réduire l'électricité statique. Assurez-vous de suivre les directives du fabricant. Le séchage excessif d'une brassée de lessive peut provoquer l'accumulation d'électricité statique. Réglez les paramètres et utilisez un temps de séchage plus court ou utilisez les cycles SÉCHAGE À CAPTEUR (SENSOR DRY) Ces matières peuvent favoriser l'accumulation d'électricité statique. Essayez d'utiliser un assouplisseur.

Avant d'appeler le service (suite)

Problèmes	Causes possibles	Solutions
Le temps de séchage n'est pas constant	<ul style="list-style-type: none"> • Les paramètres de séchage, la taille de la brassée, et le taux d'humidité des vêtements ne sont pas constants. 	<ul style="list-style-type: none"> • Le temps de séchage d'une charge varie selon le paramètre de chaleur, le type de chaleur utilisé (électrique, à gaz naturel, ou PL), la taille de la brassée, le type de tissus, le taux d'humidité des vêtements, et la condition du système de conduits et du filtre à charpie.
Les vêtements prennent trop de temps à sécher	<ul style="list-style-type: none"> • La brassée est mal triée. • Brassée importante de tissus lourds. • Mauvais réglage des commandes de séchage. • Le filtre à charpie doit être nettoyé. • Conduits d'évacuation d'air bloqués, sales, ou le conduit est trop long. • Un fusible de maison a grillé, un disjoncteur s'est déclenché, ou il y a une panne de courant. • Sécheuse surchargée. • Sécheuse avec charge insuffisante. 	<ul style="list-style-type: none"> • Séparez les articles plus lourds des articles plus légers. Les articles plus grands et lourds prennent plus de temps à sécher. • Les tissus lourds retiennent plus d'humidité et sèchent donc plus lentement. Pour aider à réduire et à maintenir les temps de séchage plus constants, séparez les grands articles et les tissus lourds en brassées plus petites de taille consistante. • Utilisez les paramètres appropriés pour le type de brassée que vous séchez. • Assurez-vous que le filtre à charpie est propre avant chaque brassée. Avec certaines brassées qui produisent une quantité élevée de charpie, il sera peut-être nécessaire de nettoyer le filtre en cours de cycle. • Confirmez la bonne configuration du système de conduits et qu'il est exempt de débris, charpie, et d'obstructions. Assurez-vous que la grille à registre ou le clapet s'ouvre correctement et qu'il/elle ne soit pas bloqué(e), bourré(e), ou endommagé(e). • Réinitialisez le disjoncteur ou remplacez le fusible. N'augmentez pas la capacité du fusible. Si le problème est un circuit surchargé, faites-le corriger par un électricien qualifié. • Divisez les grosses brassées de lessive en brassées plus modestes pour le séchage. • Si vous séchez une très petite brassée, ajoutez quelques articles supplémentaires pour garantir un bon culbutage.
Les vêtements sont froissés	<ul style="list-style-type: none"> • Les vêtements ont séché trop longtemps (excès de séchage). • Les vêtements sont restés trop longtemps dans la sécheuse à la fin du cycle. 	<ul style="list-style-type: none"> • Un séchage excessif d'une brassée peut provoquer des plis. Essayez un temps de séchage plus court et retirez les articles alors qu'ils conservent encore un peu d'humidité. • Retirez les articles immédiatement à la fin du cycle. Utilisez l'option ANTIFROISSAGE (WRINKLE CARE) pour poursuivre le culbutage des vêtements à la fin du cycle pour une période jusqu'à 3 heures.
Les vêtements ont rétréci	<ul style="list-style-type: none"> • Les directives de soin des vêtements n'ont pas été respectées. 	<ul style="list-style-type: none"> • Pour éviter le rétrécissement, suivez soigneusement les directives d'entretien des tissus de votre vêtement car certains tissus rétréciront naturellement au lavage. D'autres tissus peuvent se laver sans problème mais rétréciront si séchés dans une sécheuse. Utilisez le paramètre de chaleur basse ou séchage sans chaleur.
L'affichage présente le code erreur PS	<ul style="list-style-type: none"> • Branchement du cordon d'alimentation incorrect. 	<ul style="list-style-type: none"> • Vérifiez le branchement du cordon d'alimentation au bornier de connexion.

Avant d'appeler le service (suite)

Problèmes	Causes possibles	Solutions
Le voyant <i>Fdd</i> est allumé pendant le cycle de séchage	<ul style="list-style-type: none"> • Erreur d'alimentation d'eau. 	<ul style="list-style-type: none"> • Vérifiez le tiroir d'alimentation de vapeur : <ol style="list-style-type: none"> (1) Assurez-vous que l'alimentation de vapeur est remplie d'eau jusqu'à la ligne MAX. (2) Assurez-vous que l'alimentation de vapeur est correctement positionnée et que le tiroir est bien fermé. (3) Éteignez la sècheuse et redémarrez le cycle de vapeur. • Ne pas utiliser d'eau distillée, la sonde de niveau d'eau dans le générateur de vapeur ne fonctionnera pas • La pompe ne fonctionne pas. Débranchez la sècheuse et appelez un dépanneur
Des gouttes d'eau se forment sur l'injecteur au début du Cycle Vapeur	<ul style="list-style-type: none"> • C'est normal. 	<ul style="list-style-type: none"> • Il s'agit de condensation de vapeur d'eau. L'eau cessera rapidement de goutter.
La vapeur n'est pas générée, mais aucun code d'erreur ne s'affiche	<ul style="list-style-type: none"> • Erreur de niveau d'eau. 	<ul style="list-style-type: none"> • Débranchez la sècheuse et appelez un dépanneur.
les vêtements sont encore froissés après le cycle STEAM FRESH™	<ul style="list-style-type: none"> • Les vêtements sont en trop grand nombre dans la sècheuse ou bien ils sont trop différents les uns des autres. 	<ul style="list-style-type: none"> • Les meilleurs résultats sont obtenus avec de petites charges de 1 à 5 articles. • Mettez moins d'articles dans la sècheuse. Mettez des vêtements similaires.
les plis ne sont plus visibles sur le vêtements après un cycle de STEAM FRESH™	<ul style="list-style-type: none"> • Ce cycle a pour but d'éliminer les froissements du tissu. 	<ul style="list-style-type: none"> • Utiliser un fer à repasser pour marquer les plis.
Les vêtements sont encore chargés d'électricité statique après utilisation de la fonction RÉDUIT L'ELECTRICITE STATIQUE (REDUCE STATIC)	<ul style="list-style-type: none"> • C'est normal. 	<ul style="list-style-type: none"> • Cela dépend du taux d'humidité de la peau de chacun.
Les vêtements sont trop secs ou trop humides après utilisation de la fonction RÉDUIT L'ELECTRICITE STATIQUE (REDUCE STATIC)	<ul style="list-style-type: none"> • Les options de séchage n'ont pas été correctement sélectionnées. 	<ul style="list-style-type: none"> • Sélectionnez manuellement le poids de la charge avant de débiter l'option RÉDUIT L'ELECTRICITE STATIQUE (REDUCE STATIC).
Les vêtements ne sont pas uniformément humides après un cycle REPASSAGE FACILE (EASY IRON)	<ul style="list-style-type: none"> • La sélection du nombre de vêtements ou de la charge n'a pas été correctement effectuée au début du cycle. 	<ul style="list-style-type: none"> • Sélectionnez le nombre de vêtements ou la charge appropriée avant de lancer le cycle.

Avant d'appeler le service (suite)

Problèmes	Causes possibles	Solutions
Des gouttes d'eau coulent le long de la porte pendant un cycle Steam Cycle (Cycle à vapeur)	• C'est normal.	• De la condensation doit normalement se constituer sur le côté intérieur de la porte du séchoir (sècheuse) durant l'opération vapeur. Quelques gouttes de condensation peuvent s'écouler au bas de la porte.
La vapeur n'est pas visible pendant le Cycle Vapeur.	• C'est normal.	• La vapeur est difficilement visible lorsque la porte est fermée. Toutefois, la condensation doit normalement se constituer sur le côté intérieur de la porte du séchoir (sècheuse), lorsque le système vapeur fonctionne normalement.
Le tambour ne tourne pas pendant le Cycle Vapeur.	• C'est normal.	• Le tambour est arrêté pour y maintenir la vapeur d'eau. Le tambour tourne normalement pendant 2 secondes toutes les minutes.
Pas de vapeur d'eau visible au début du cycle.	• C'est normal.	• La vapeur est libérée à différentes étapes du cycle pour chaque option.
L'AFFICHAGE INDIQUE CHARGE VOLUMINEUSE $\frac{b}{g}$.	• Touche TEMPS+ (MORE TIME) est enfoncée.	• Cet affichage indique que l'option vapeur a été définie pour un article "grand" comme un édredon. Appuyez sur le bouton TEMP- (LESS TIME) pour réduire la charge indiquée.
Le dessus de la sècheuse est très chaud.	• C'est normal.	• Le dessus de la sècheuse devient chaud pendant les fonctions Vapeur.
Des odeurs subsistent sur les vêtements après un cycle STEAM FRESH™.	• STEAM FRESH™ n'élimine pas complètement les odeurs.	• Les tissus ayant une forte odeur doivent être lavés dans un cycle normal.
Le voyant FLOW SENSE™ est allumé pendant le cycle de séchage	<ul style="list-style-type: none"> • Le conduit d'évacuation est trop long ou comporte trop de coudes. • Le conduit d'évacuation est complètement bloqué par l'accumulation de charpie ou de débris. • L'appareil a détecté une restriction dans le sécheur externe de ventilation. 	<ul style="list-style-type: none"> • Installer un tuyau d'évacuation plus court ou plus droit. Voir les instructions d'installation. • Le conduit d'évacuation devrait être vérifié/nettoyé immédiatement afin de retirer les accumulations de charpie et autres matières. La sècheuse peut être utilisée, mais son efficacité et ses performances seront considérablement réduites. • Si le système FLOW SENSE™ ressent des restrictions d'évacuation, le témoin restera allumé pendant deux heures après la fin du cycle. Pour éteindre cet affichage, ouvrez la porte ou appuyez sur le bouton MARCHE/ÉTEINT (POWER).

SPÉCIFICATIONS


Modèles de sècheuse	DLEX8000W DLEX8000V DLGX8001W DLGX8001V
Description	Sècheuse de vapeur
Tension et fréquence exigées*	Voyez la plaque signalétique pour les informations détaillées.
Alimentation en gaz*	NG : 4–10.5 po CE WC PL : 8–13 po CE WC (uniquement les modèles à gaz)
Dimensions	29 po (larg) X 32,1 po (prof) X 40,8 po (haut), 59 po (prof avec porte ouverte) 73,7 cm (larg) X 81,4 cm (prof) X 103,6 cm (haut), 151,8 cm (prof avec porte ouverte)
Poids net	161 lb (73 kg)
Capacité de séchage - Cycle à vapeur	CEI 9,0 pi cu. (8 lb/3,6 kg)

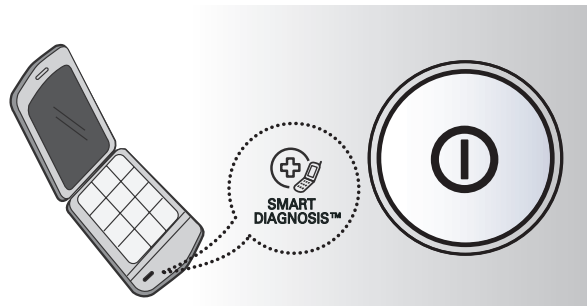
UTILISATION DE SMARTDIAGNOSIS™

❗ REMARQUE

- Utilisez cette fonction uniquement selon les instructions du centre d'appels. Le son de la transmission ressemble à celui d'un télécopieur et seul le centre d'appels peut l'interpréter.
- SMARTDIAGNOSIS™ ne peut être activé que si le sècheuse n'est pas sous tension. Dans ce cas, la détection des pannes doit être effectuée sans SMARTDIAGNOSIS™.

En cas d'incident avec votre sècheuse, appelez le 1-800-243-0000(1-888-542-2623 au Canada). Suivez les instructions communiquées par l'agent du centre d'appels et exécutez les étapes suivantes à la demande de l'agent :

1. Appuyez sur la touche  pour mettre le sècheuse en marche. N'appuyez sur aucune autre touche.
2. À la demande du centre d'appels, placez le microphone de votre téléphone le près possible du bouton MARCHE/ÉTEINT (POWER).



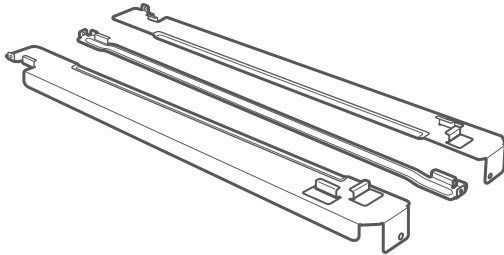
3. Appuyez et maintenez enfoncé la touche CONTROLE TEMP. pendant trois secondes, tout en tenant l'embouchure du téléphone près de l'icône ou la touche de MISE EN MARCHÉ.
4. Maintenez le téléphone en place jusqu'à la fin de la transmission des données. Cette opération peut prendre environ 17 secondes et l'affichage marque ce temps par un compte à rebours.
 - Pour obtenir les meilleurs résultats, ne bougez pas le téléphone pendant le transfert des fréquences et ne touchez pas le tableau de commande avec le téléphone.
 - Si l'agent du centre d'appels n'est pas en mesure d'obtenir un enregistrement précis des données, celui-ci peut vous demander de recommencer.
 - Appuyer sur le bouton MARCHE/ÉTEINT (POWER) durant la transmission, coupe la fonction SMARTDIAGNOSIS™.
5. À l'issue du compte à rebours et une fois les tonalités terminées, reprenez votre conversation avec l'agent du centre d'appels, l'agent est maintenant en mesure de vous assister en se basant sur les informations transmises pour analyse au centre d'appels.

ACCESSOIRES EN OPTION

Installation de la trousse d'empilage

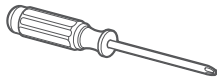
La trousse d'empilage comprend :

- Deux (2) rails latéraux
- Un (1) rail avant
- Quatre (4) vis



Outils requis pour l'installation :

- Tournevis à tête cruciforme (Phillips)

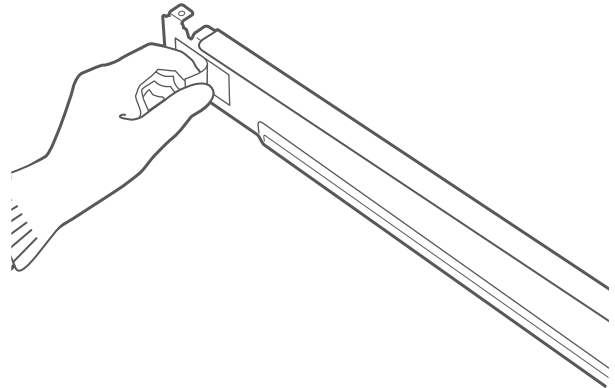


Pour vous assurer que l'installation est sécuritaire et sûre, conformez-vous aux directives suivantes.

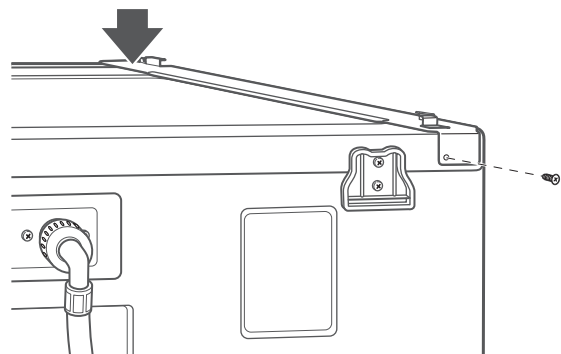
⚠ AVERTISSEMENT

- **Une installation incorrecte peut entraîner des accidents graves.**
- **Le poids de la sècheuse et la hauteur de l'installation rendent la procédure d'empilage trop risquée pour une personne seule. Deux personnes ou plus sont nécessaires à une installation sécuritaire de la trousse d'empilage.** Tout non-respect de ces instructions peut entraîner des blessures du dos ou d'autres blessures.
- **N'utilisez pas la trousse d'empilage avec une sècheuse au gaz lorsque les conditions sont potentiellement instables, par exemple dans une maison mobile.** Tout non-respect de cet avertissement peut entraîner des accidents graves.
- **Placez la machine à laver sur un plancher solide, stable, et de niveau pour qu'elle supporte sans risque le poids des deux appareils.** Tout non-respect de cet avertissement peut entraîner des accidents graves.
- **Si les électroménagers sont déjà installés, débranchez tous les conduits d'alimentation électrique, d'eau, ou de gaz de même que les connexions de vidange ou de ventilation.** Tout non-respect de ces instructions peut entraîner une électrocution, un incendie, une explosion, ou la mort.

1. Assurez-vous que la surface de la machine à laver est propre et sèche. Retirez la pellicule protectrice du ruban de l'un des rails latéraux de la trousse d'empilage.



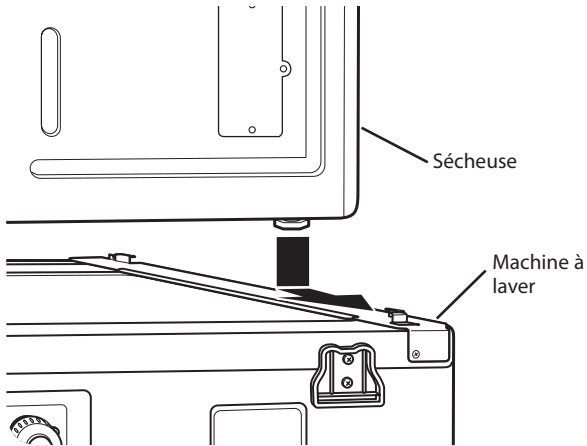
2. Adaptez le rail latéral sur le côté de la partie supérieure de la machine à laver tel qu'illustré dans la figure ci-dessus. Appuyez fermement la zone adhésive du rail sur la surface de la machine à laver. Fixez le rail latéral de la machine à laver avec une vis à l'arrière du rail. Répétez les étapes 1 et 2 pour attacher le rail de l'autre côté.



Installation de la tro usse d'empilage (suite)

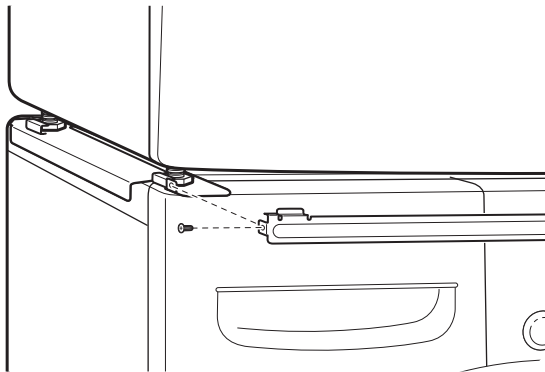
3. Placez la sècheuse par-dessus la machine à laver en ajustant les pattes de la sècheuse dans les rails latéraux tel qu'illustré. Évitez les blessures aux doigts. Ne les pincez pas entre la sècheuse et la machine à laver.

Glissez lentement la sècheuse vers l'arrière de la machine à laver jusqu'à ce que les butées des rails latéraux coincent les pieds de la sècheuse.



4. Insérez le rail avant entre le bas de la sècheuse et le haut de la machine à laver.

Poussez le rail avant vers l'arrière de la machine à laver jusqu'à ce qu'il entre en contact avec les butées du rail latéral. Installez les deux vis restantes pour solidement fixer le rail avant aux rails latéraux.



LG ELECTRONICS CANADA, INC. GARANTIE LIMITÉE DE LA SÈCHEUSE LG - Canada

GARANTIE : Si votre sècheuse LG (le « produit ») s'avère défectueuse en raison d'un défaut de matériau ou de fabrication lors d'une utilisation normale, pendant la période de garantie spécifiée ci-après, LG Canada réparera ou remplacera à sa discrétion le produit sur réception de la preuve d'achat originale fournie par le détaillant. Cette garantie n'est offerte qu'à l'acheteur original du produit chez un détaillant et ne s'applique qu'à un produit distribué au Canada par LG Canada ou par un distributeur canadien autorisé. La garantie ne s'applique qu'aux produits situés et utilisés au Canada.

PÉRIODE DE GARANTIE : (Remarque : Si la date d'achat originale ne peut être vérifiée, la garantie débutera soixante (60) jours suivant la date de fabrication.)

Sècheuse

Un (1) an à compter de la date d'achat initiale

Pièces et main-d'oeuvre (pièces internes fonctionnelles seulement)

- Les produits et pièces de remplacement sont garantis pour la portion restante de la période de garantie originale ou quatre-vingt-dix (90) jours, selon la période la plus longue.
- Les produits et pièces de remplacement peuvent être neufs ou remanufacturés.
- Le centre de service autorisé LG garantit les réparations pendant trente (30) jours.

LA RESPONSABILITÉ DE LG CANADA SE LIMITE À LA GARANTIE CI-DESSUS. SAUF TEL QU'IL EST EXPLICITEMENT INDIQUÉ CI-DESSUS, LG CANADA NE FOURNIT AUCUNE AUTRE GARANTIE ET REJETTE TOUTES LES AUTRES GARANTIES ET CONDITIONS EXPLICITES OU IMPLICITES À L'ÉGARD DU PRODUIT, CE QUI INCLUT, SANS TOUTEFOIS S'Y LIMITER, TOUTE GARANTIE ET CONDITION IMPLICITE DE QUALITÉ MARCHANDE OU DE CONVENANCE À UN USAGE PARTICULIER ET AUCUNE DÉCLARATION NE LIERA LG CANADA. LG CANADA N'AUTORISE PERSONNE À CRÉER NI À ASSUMER AUCUNE AUTRE PROVISION POUR GARANTIES EN RELATION AVEC CE PRODUIT. SI UNE GARANTIE OU CONDITION IMPLICITE EST REQUISE PAR LA LOI, SA PÉRIODE SE LIMITE À CELLE DE LA GARANTIE EXPLICITE SUSMENTIONNÉE. LG CANADA, LE FABRICANT ET LE DISTRIBUTEUR NE POURRONT ÊTRE TENUS RESPONSABLES D'AUCUN DOMMAGE ACCESSOIRE, CONSÉCUTIF, SPÉCIAL, DIRECT OU INDIRECT, D'AUCUNE PERTE D'ACHALANDAGE OU DE PROFITS, D'AUCUN DOMMAGE PUNITIF, EXEMPLAIRE OU AUTRE, DIRECTEMENT OU INDIRECTEMENT ATTRIBUABLE À TOUTE VIOLATION CONTRACTUELLE, FONDAMENTALE OU AUTRE, OU À UNE ACTION, UNE OMISSION, UN DÉLIT OU TOUTE AUTRE CHOSE.

La présente garantie vous confère des droits légaux spécifiques. Vous pourriez disposer d'autres droits, suivant les lois provinciales applicables. Toute clause de la présente garantie qui invalide ou modifie une condition ou garantie implicite aux termes d'une loi provinciale est dissociable si elle entre en conflit avec la loi provinciale, et ce, sans affecter les autres clauses de la garantie.

LA PRÉSENTE GARANTIE LIMITÉE NE COUVRE PAS CE QUI SUIT :

1. Un appel de service pour livrer, ramasser ou installer le produit; renseigner un client sur le fonctionnement du produit; réparer ou remplacer des fusibles ou rectifier le câblage ou la plomberie; ou corriger une réparation ou installation non autorisée.
2. La défaillance du produit durant une panne ou interruption de courant ou en raison d'un service électrique inadéquat.
3. Des dommages occasionnés par la fuite ou le bris de conduites d'eau, le gel de conduites d'eau, des tuyaux de drainage restreints, une alimentation en eau inadéquate ou interrompue ou une alimentation en air inadéquate.
4. Des dommages attribuables à l'utilisation du produit dans une atmosphère corrosive ou contraire aux instructions spécifiées dans le manuel d'utilisation du produit.
5. Des dommages au produit causés par un accident, des animaux nuisibles ou des vermines, la foudre, le vent, un incendie, une inondation ou une catastrophe naturelle.
6. Des dommages attribuables à une mauvaise utilisation, une utilisation abusive ou à une installation, une réparation ou un entretien inapproprié du produit. Les réparations inappropriées incluent l'utilisation de pièces ni approuvées ni recommandées par LG Canada.
7. La détérioration ou la défaillance du produit causée par une modification ou un changement non autorisé ou une utilisation autre que celle prévue, ou résultant d'une fuite d'eau occasionnée par une mauvaise installation.
8. La détérioration ou la défaillance du produit causée par un courant ou un voltage électrique incorrect, la non-conformité aux codes de plomberie, une utilisation commerciale ou industrielle, ou l'utilisation d'accessoires, d'éléments ou de produits nettoyants non approuvés par LG Canada.
9. Les dommages causés par le transport et la manipulation, notamment les égratignures, les bosses, les écaillures et/ou tout autre dommage à la finition du produit, à moins que ces dommages ne soient attribuables à des défauts de matériaux ou de fabrication et qu'ils ne soient signalés dans un délai d'une (1) semaine de la livraison.
10. Des dommages ou des pièces manquantes à tout produit exposé, déballé, soldé ou remis à neuf.
11. Des produits dont le numéro de série original a été retiré, modifié ou ne peut être facilement déterminé. Le modèle et le numéro de série, ainsi que le reçu de vente original du détaillant, sont requis pour valider la garantie.
12. L'augmentation des coûts et de la consommation des services publics.
13. Le remplacement des ampoules électriques, des filtres et de toute pièce non durable.
14. Les réparations requises si le produit ne sert pas à une utilisation domestique normale et habituelle (y compris, sans toutefois s'y limiter, une utilisation commerciale, dans un bureau ou un centre récréatif) ou est utilisé contrairement aux instructions spécifiées dans le manuel d'utilisation du produit.
15. Les coûts associés à l'enlèvement du produit de votre résidence aux fins de réparation.
16. L'enlèvement et la réinstallation du produit, s'il est installé à un endroit inaccessible ou contrairement aux instructions d'installation publiées, y compris dans le manuel d'utilisation et le manuel d'installation du produit.
17. Les accessoires du produit, tels que balconnets, les tiroirs, les poignées, les tablettes, etc. Sont également exclues les pièces non incluses initialement avec le produit.

Tous les coûts associés aux circonstances exclues ci-dessus seront assumés par le consommateur.

Pour obtenir tous les détails sur la garantie et accéder au service à la clientèle, téléphonez-nous ou visitez notre site Web :

Composez le 1-888-542-2623 (24 h sur 24, 365 jours par année) et Modèle : sélectionnez l'option de menu appropriée, ou visitez notre site Web au <http://www.lg.ca>

Écrivez vos renseignements de garantie ci-dessous :

Renseignements sur l'enregistrement du produit :

Numéro de série :

Date d'achat :



LG Customer Information Center

1-800-243-0000 USA

1-888-542-2623 CANADA

Register your product Online!

www.lg.com