

6.3 cu. ft. Induction Slide-in Range



- Built-in Air Fry
- InstaView® Window
- ProBake® Convection
- EasyClean® + Self Clean
- Dual Element
- Slide-in Design
- 6.3 cu. ft. Large Capacity
- Storage Drawer
- LG ThinQ® Technology (Wi-Fi)



COLOR AVAILABILITY

- LSIL6336F – PrintProof™ Stainless Steel

CAPACITY

| | |
|-----------------|-------------|
| Oven Capacity | 6.3 cu. ft. |
| Drawer Capacity | 0.8 cu. ft. |

OVEN FEATURES

| | |
|---------------------------|---|
| Convection System | ProBake® Convection |
| Oven Cooking Modes | Bake, Convection Bake, Convection Roast, Broil High, Broil Low, Warm, Keep Warm, Proof, Frozen Meal, Air Fry, Air Sous-Vide, EasyClean®, Self Clean |
| Infrared Heating™ System | No |
| Air Sous Vide | Yes |
| Built-in Air Fry | Yes (Air Fry Tray Included) |
| Temperature Probe | Yes |
| Oven Racks | 2 Heavy Duty |
| Number of Rack Positions | 7 |
| Broil Element | 4,200W / 6 Pass |
| Convection Element | 2,500W |
| Convection Conversion | Yes |
| EasyClean® | Yes |
| Self Clean | Yes |
| GoCook Smart Oven Light | Standard 40-watt Halogen |
| Door Lock | Yes |
| Automatic Safety Shut-Off | After 12 Hours |

DRAWER FEATURES

| | |
|------|---------|
| Type | Storage |
|------|---------|

COOKTOP FEATURES

| | |
|---------------------------|---------------------------------|
| Cooktop Type | Induction |
| Number of Elements | 5 (4 Induction, 1 Radiant) |
| Element Size / Wattage | |
| Left Front | 8" 3,200W / 2,100W (UltraHeat™) |
| Left Rear | 6" 1,800W / 1,300W |
| Center | 6" 1,800W / 1,300W |
| Right Front | Dual 11" 4,300W / 2,400W |
| Right Rear | 6" 100W Warming Zone |
| Hot Surface LED Indicator | Yes |

CONTROLS

| | |
|----------------------------------|--------------------------|
| Cooktop Control Type | Front Tilt-Control Knobs |
| Oven Control Type | SmoothTouch™ Glass |
| Display | LED |
| Language | English |
| Kitchen Timer | Yes |
| Timed Cook | Yes |
| Clock | 12 Hr or 24 Hr (Option) |
| Temperature Unit of Measure | °F or °C |
| Cooking Complete Reminder Volume | High, Low, Off |
| Oven Control Lock | Yes |

CONVENIENCE

| | |
|---------------|-----|
| ADA Compliant | Yes |
| Sabbath Mode | Yes |

SMART FEATURES

| | |
|--------------------------|--------------------------------|
| Wi-Fi Enabled | Yes |
| ThinQ® Technology | Yes |
| ThinQ Care | Yes |
| Remote Monitoring | Yes |
| Voice Control | Amazon Alexa, Google Assistant |
| SmartDiagnosis™ | Yes |
| 3rd Party Recipe App | Yes (SideChef) |
| Scan to Cook (LG ThinQ®) | Yes |

FINISHES AND APPEARANCE

| | |
|---|-------------------------------------|
| Fingerprint & Smudge Resistant Exterior | Yes |
| Cooktop Finish | Black Ceramic Glass w/Gray Graphics |
| Handle / Knobs | F - Stainless Steel Appearance |
| Oven Door Feature | InstaView® Window (WideView™) |

TECHNICAL SPECS

| | |
|------------------------|--|
| Required Power Supply | 120/208-240 V, 60 Hz, 3-Wire or 4-Wire |
| Minimum Circuit Rating | 40 Amp |
| kW Rating at 208V | 10.2 kW |
| kW Rating at 240V | 11.9 kW |
| Power Cord | Not Included |
| Electrical Receptacle | 4-Wire (14-50R) 3-Wire (10-50R) |
| Power Outlet Location | See Installation Diagram |

INCLUDED ACCESSORIES

2 Heavy Duty Racks, 1 Air Fry Tray, Temperature Probe, Rear Filler Kit, Scouring Pad, Cooktop Cleaner

OPTIONAL ACCESSORIES

| | |
|---------------------------------------|----------|
| Slide-in Range Filler Kit (Side Gaps) | LSFL301S |
| Air Fry Rack | LRAL303S |

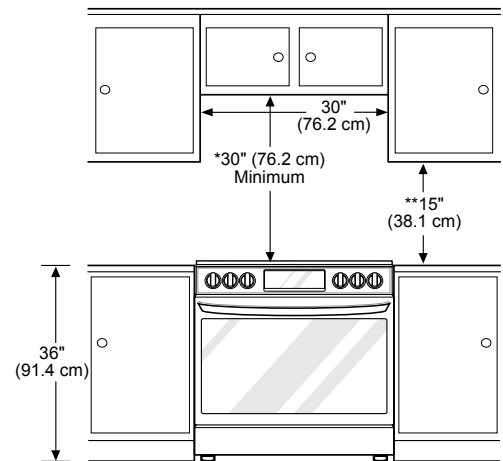
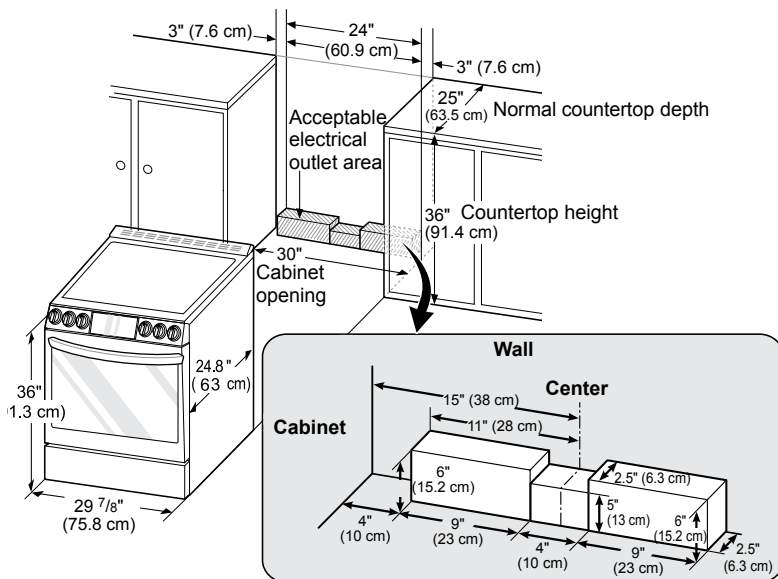
DIMENSIONS / CLEARANCES / WEIGHTS

| | |
|---|------------------------------|
| Product Dimensions (W x H x D w/Handle) | 29 7/8" x 36 1/2" x 29 5/16" |
| Product Height to Cooking Surface | 36" |
| Cutout Dimensions (W x H x D) | 30" x 36" x 25" |
| Carton Dimensions (W x H x D) | 32 1/2" x 44" x 30 1/2" |
| Approx. Weight (Product / Carton) | 187.4 lbs. / 246 lbs. |

LIMITED WARRANTY

| | |
|-----------------|--------|
| Parts and Labor | 1 Year |
|-----------------|--------|

DIMENSIONS / CLEARANCES

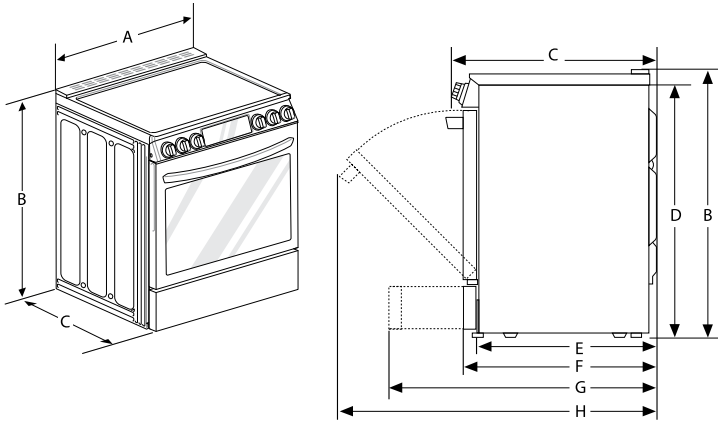


MINIMUM DIMENSIONS

*30" (76.2 cm) minimum clearance between the top of the cooking surface and the bottom of an unprotected wood or metal cabinet; or 24" (60.9 cm) minimum when bottom of wood or metal cabinet is protected by not less than 1/4" (6.4 cm) flame retardant millboard covered with not less than no. 28 MSG sheet steel, 0.015" (0.381 mm) stainless steel, 0.024" (0.610 mm) aluminum or 0.020" (0.508 mm) copper.

**15" (38.1 cm) minimum between countertop and adjacent cabinet bottom.

DIMENSIONS / CLEARANCES



DIMENSIONS / CLEARANCES

| | | |
|---|--|--|
| A | Width | 29 7/8" (758.8 mm) |
| B | Height | 36 1/2" (927.9 mm) |
| C | Depth (Includes Door Handle) | 29 9/32" (743.9 mm) |
| D | Height (Excludes Vent Trim) | 36" (913.0 mm) |
| E | Depth (Includes only the product body that is loaded into the cabinet. Excludes door, drawer, and handles) | 24 3/4" (629.4 mm) |
| F | Depth (Excludes Door Handle) | 26 7/8" (683 mm) |
| G | Depth when drawer is fully opened | 36 1/16" (916.2 mm) (Excludes handle) |
| H | Depth when door is fully opened | 48 5/8" (1235.9 mm) |