

LSIS6338F

6.3 cu. ft. Smart Wi-Fi Induction Slide-in Range with ProBake Convection® and EasyClean®

Large Capacity Oven (6.3 cu. ft.)

Air Fry Setting

InstaView® Window (WideView™)

Air Sous-Vide

EasyClean®

ProBake Convection™

Storage Drawer



CAPACITY	
Type	Induction Single Oven Slide-in
Oven Capacity (cu. ft.)	6.3 cu. ft.
Color	Stainless Steel
COOKTOP	
Type	Induction + Radiant
No of Radiant Elements	5 (4- induction; 1 radiant)
Element Size/Wattage - Left Rear	1800 (Boost) / 1300 (Normal) (6")
Element Size/Wattage - Right Rear	100 (6")
Element Size/Wattage - Left Front	3200 (Boost) / 2100 (Normal) (8")
Element Size/Wattage - Right Front	4300 (Boost) / 2400 (Normal) (11")
Center (Warming Zone)	1800 (Boost) / 1300 (Normal) (6")
OVEN FEATURES	
Broil Element (Watt)	Sheath 4200 / 6 Pass
Convection (Watt)	Sheath 2500W
Convection Fan	Dual Speed (High/Low)
Convection Type	ProBake Convection™
Oven Modes	Bake, Conv. Bake, Conv. Roast, Broil High, Broil Low, Warm, Proof, Frozen Meal, Air Fry, Air Sous-Vide, EasyClean, Self Clean
Oven Control Features	Glass Touch
Convection Conversion	Yes
EasyClean®	Yes
EasyClean® Time	10 mins
Self Clean	Yes
GoCook Smart Oven Light	Yes
No. of Rack Positions	7
Control Lock	Yes (Key + Cooktop Lock)
Automatic Safety Shut-Down	After 12 hours
DRAWER FEATURES	
Type	Storage (no Handle)
CONTROL	
Cooktop Control Type	Front Control Knobs
Oven Control Type	Glass Touch
Back lighting	Yes
Knob lighting	Yes
Display	LED / White
Language	English
Clock	12 hr or 24 hr (option)
Kitchen Timer	Yes
Timed Cook	Yes
Temperature Unit of Measure	Fahrenheit / Celsius
Cooking Complete Reminder Volume	Beeper (Hi, Lo, Off)
Certified Sabbath mode	Yes

APPEARANCE	
All Available Colors	Stainless Steel
Knobs	AL Forging
Handle	Stainless Steel
Printproof™ Finish	Yes
Oven Door Feature	InstaView + WideView™
Cooktop Finish	Black Ceramic + Grey Pattern
SMART FEATURES	
ThinQ® (Wifi Enabled)	Yes
Check & Control	Yes
Voice Control	Yes
Smart Recipe (3rd Party Recipe App)	Sidechef
SmartDiagnosis™	Yes
DIMENSIONS / CLEARANCES / WEIGHT	
Shipping Weight (lbs)	235.4 lbs (106.75 kg)
Product Weight (lbs)	197.6 lbs (89.65 kg)
Cabinet Width (in)	30"
Overall Depth (in) - without handle	26 7/8"
Overall Depth (in) - including handle	29 3/8"
Overall Height (in)	37 2/8"
Overall Width (in)	29 7/8"
Oven Interior Dimensions (in) (W x H x D)	24 7/8" x 21 3/8" x 20"
Height to Cooking Surface (in)	36"
Drawer Dimensions (in) (W x H x D)	22 3/16" x 4 1/2" x 16 3/8"
Carton Dimensions (in) (W x H x D)	32 1/2" x 44" x 30 1/2"
POWER/RATINGS	
Amp Rating at 208V	48.5A
Amp Rating at 240V	49.6A
KW Rating at 208V	10.1kW
KW Rating at 240V	11.9kW
Required Power Supply (amp)	40A
ACCESSORIES	
Gliding Rack	1
Heavy Duty Rack	2
Air Fry Rack	1
Temp Probe	Yes
Spray Bottle	Yes
Cooktop Cream/ Cleaner	Yes
LIMITED WARRANTY	
Parts & Labor	2 Years
UPC CODES	
LSIS6338F (Stainless Steel)	195174020555

LSIS6338F

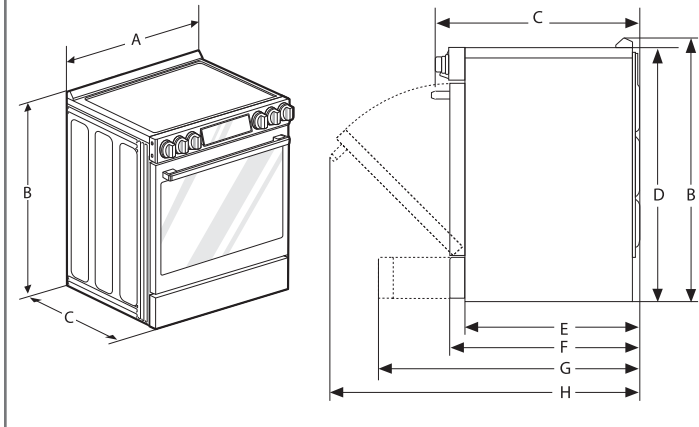
6.3 cu. ft. Smart Wi-Fi Induction Slide-in Range
with ProBake Convection® and EasyClean®

QUICK INSTALL & CLEARANCES

For full installation directions/clearances please refer to the corresponding User Manual and Installation Guide.

DIMENSIONS / CLEARANCES

A	Width	29 7/8"
B	Height	37 1/4"
C	Depth (Includes Door Handle)	29 3/8"
D	Height (Excludes Vent Trim)	36"
E	Depth (Includes only the product body that is loaded into the cabinet. Excludes door, drawer, and handles)	24 3/4"
F	Depth (Excludes Door Handle)	26 7/8"
G	Depth when drawer is fully opened	36 1/16"
H	Depth when door is fully opened	48 5/8"



POWER / RATINGS

Amp Rating at 208V	48.5A
Amp Rating at 240V	49.6A
KW Rating at 208V	10.1kW
KW Rating at 240V	11.9kW
Required Power Supply (amp)	40A

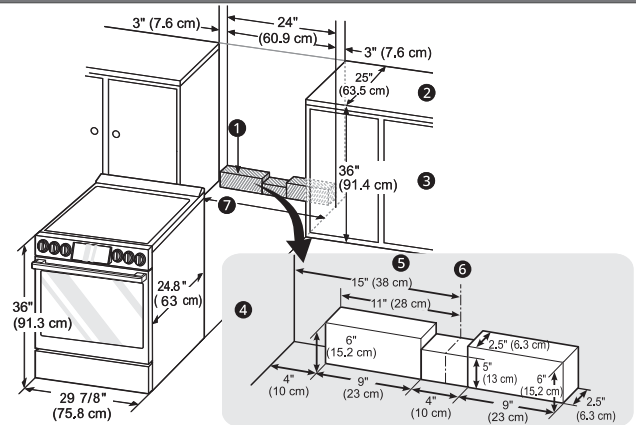
Electrical Requirements

- This appliance must be installed and grounded on a branch circuit by a qualified technician in accordance with the National Electrical code ANSI/NFPA NO. 70 - latest edition.
- All wiring should conform to Local and NEC codes. This range requires a single-phase, 3 wire, A.C 120/208 V or 120/240 V 60 Hz electrical system. Use only a 3-conductor or a 4-conductor UL - listed range cord with closed-loop terminals, open-end spade lugs with upturned ends or similar termination. Do not install the power cord without a strain relief.
- A range cord rated at 40 amps with 120/240 minimum volt range is required. If a 50 amp range cord is used, it should be marked for use with 13/ 8" diameter connection openings. This appliance may be connected by means of a conduit or power cord. If a conduit is being used, refer to "3-Wire Connection: Conduit" or "4-Wire Connection: Conduit" sections.
- The range should always be plugged into its own individual properly grounded electrical outlet. This prevents overloading house wiring circuits which could cause a fire hazard from overheated wires. It is recommended that a separate circuit serving only this appliance be provided.



Scan to see the online Owner's Manual.

CLEARANCES

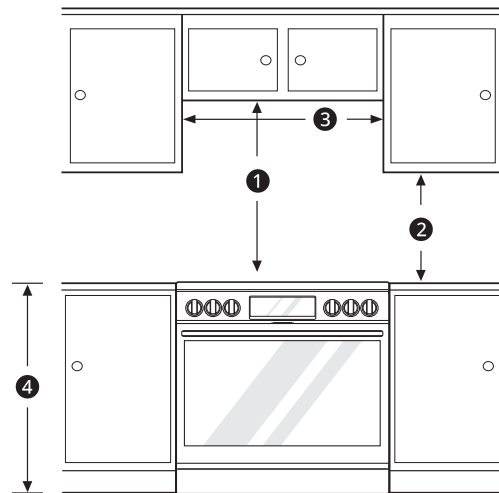


- | | |
|---|---------------------------|
| 1 Acceptable Electrical Outlet Area | 2 Normal Countertop Depth |
| 3 Counter Top Height | 3 Cabinet |
| 5 Wall | 6 Center |
| 7 Cabinet Opening
= 30" (76.2 cm) For U.S.A.
= 30" (76.2 cm) - 31" (78.7 cm) For CANADA | |

The range should always be plugged into its own individual properly grounded electrical outlet.

- This prevents overloading house wiring circuits which could cause a fire hazard from overheated wires.
- It is recommended that a separate circuit serving only this appliance be provided.

MINIMUM DIMENSIONS



- | | |
|--|-----|
| 1 Minimum distance from top of range to combustible surface overhead | 30" |
| 2 Minimum distance from countertop to overhead cabinets at side | 15" |
| 3 Minimum opening in overhead cabinets | 30" |
| 4 Height of countertop | 36" |

NOTE

- 1 30" (76.2 cm) minimum clearance between the top of the cooking surface and the bottom of an unprotected wood or metal cabinet; or 24" (60.9 cm) minimum when bottom of wood or metal cabinet is protected by not less than 1/4" (6.4 mm) flame retardant millboard covered with not less than no. 28 MSG sheet steel, 0.015" (0.381 mm) stainless steel, 0.024" (0.610 mm) aluminum or 0.020" (0.508 mm) copper.
- 2 15" (38.1 cm) minimum between countertop and adjacent cabinet bottom.
- Important - Save for the use of the local electrical inspector.
- For installation in Canada, a free-standing range is not to be installed closer than 15/32" (12 mm) from any adjacent surface.