

# LSGS6338F

6.3 cu. ft. Smart wi-fi Gas. Slide-in Range with ProBake Convection® and EasyClean®

**Large Capacity Oven (6.3 cu. ft.)**

**5 High Performance Sealed Burners**

**Soft Close Range Door**

**Air Fry Setting**

**InstaView® Window (WideView)**

**Air Sous Vide**

**EasyClean®**

**ProBake Convection™**

**Storage Drawer**



CAPACITY	
Oven Capacity (cu. ft.)	6.3
Storage Drawer Capacity (cu.ft.)	0.8 (No Handle)
COOKTOP	
Burner/BTU - Left Rear	9100 / 7500
Burner/BTU - Right Rear	5000 / 4000
Burner/BTU - Left Front	20000 / 12500
Burner/BTU - Right Front	22000 / 16000
Center (Warming Zone) (BTU)	10000 / 10000 (Oval)
Burner Simmer / BTU - Left Rear	1,270
Burner Simmer / BTU - Right Rear	670
Burner Simmer / BTU - Left Front	1,270
Burner Simmer / BTU - Right Front	800
Center (Oval burner)	2,700
OVEN FEATURES	
Broil Element (BTU)	13500 / 12500(LNG/LPG)
Bake Element (BTU)	19000 / 17000 (LNG/LPG)
Convection Type	ProBake Convection®
Oven Modes	Bake, Conv. Bake, Conv. Roast, Broil High, Broil Low, Warm, Proof, EasyClean, SelfClean, Frozen meal, Air Fry, Air sous-vide
Oven Control Features	Glass Touch
Convection Conversion	Yes
EasyClean®	Yes (10 mins)
EasyClean time	10 mins
Self Clean	Yes
GoCook Smart Oven Light	1 Light
No. of Rack Positions	7
Door Lock	Yes
Automatic Safety Shut-Down	After 12 Hours
DRAWER FEATURES	
Type	Storage
Time Control	Yes
CONTROL	
Cooktop Control Type	Front Control Knobs
Oven Control Type	Glass Touch
Back lighting	Yes
Knob lighting	Yes
Display	White LED
Language	English
Clock	12 hr or 24 hr (option)
Kitchen Timer	Yes
Timed Cook	Yes
Temperature Unit of Measure	Fahrenheit / Celsius
Cooking Complete Reminder Volume	Beeper (Hi, Lo, Off)
Certified Sabbath mode	Yes

APPEARANCE	
All Available Colors	Stainless Steel
Knobs	AL Forging
Knob Material	Aluminum / PC+ABS
Handle	Stainless Steel
Printproof™ Finish	Yes
Oven Door Feature	InstaView + WideView™
Cooktop Finish	Stainless Steel
SMART FEATURES	
ThinQ® (Wifi Enabled)	Yes
Check & Control	Yes
Voice Control	Yes
Smart Recipe (3rd Party Recipe App)	Innit, Sidechef
SmartDiagnosis™	Yes
DIMENSIONS / CLEARANCES / WEIGHT	
Shipping Weight (lbs)	234.8lb (106.5kg)
Product Weight (lbs)	158.7lb (72kg)
Cabinet Width (in)	30"
Overall Depth (in) - without handle	26 7/8"
Overall Depth (in) - including handle	29 3/8"
Overall Height (in)	37 2/8"
Overall Width (in)	29 7/8"
Oven Interior Dimensions (in) (W x H x D)	24 7/8" x 21 3/8" x 20"
Height to Cooking Surface (in)	36"
Drawer Dimensions (in) (W x H x D)	22 3/16" x 4 1/2" x 16 3/8"
Carton Dimensions (in) (W x H x D)	32 1/2" x 44" x 30 1/2"
POWER/RATINGS	
Amp Rating at 240V	4.2A (120VAC, 60Hz)
ACCESSORIES	
Griddle Plate, Gliding Rack, Heavy Duty Rack, Offset Rack, Air Fry Rack, Wok Grate, Temp Probe, Spray Bottle, Scouring Pad, Conversion Kit	
LIMITED WARRANTY	
Parts & Labor	2 Years
UPC CODES	
LSGS6338F (Stainless Steel)	195174020722

# LSGS6338F

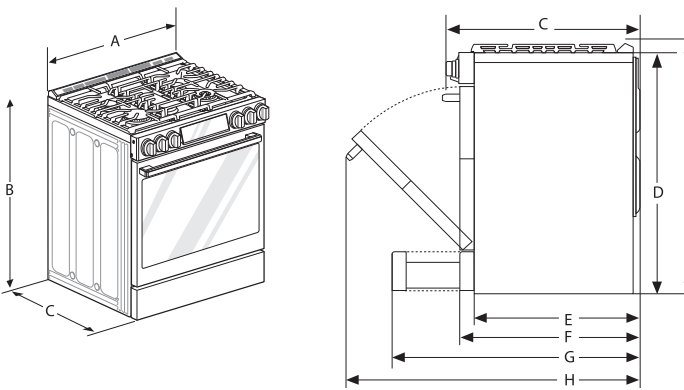
6.3 cu. ft. Smart wi-fi Gas. Slide-in Range with ProBake Convection® and EasyClean®

## QUICK INSTALL & CLEARANCES

For full installation directions/clearances please refer to the corresponding User Manual and Installation Guide.

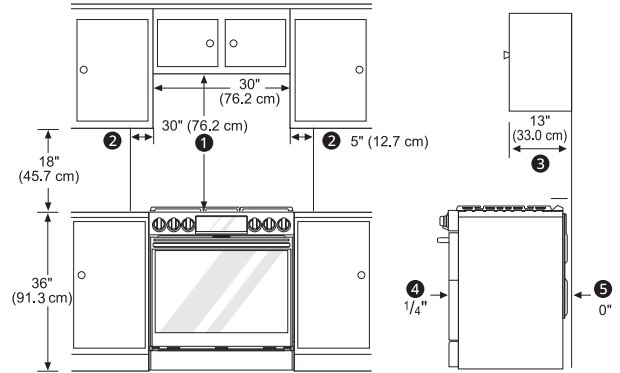
### DIMENSIONS / CLEARANCES

A	Width	29 7/8"
B	Height	37 1/4"
C	Depth (Includes Door Handle)	29 3/8"
D	Height (Excludes Vent Trim)	36"
E	Depth (Includes only the product body that is loaded into the cabinet. Excludes door, drawer, and handles)	24 3/4"
F	Depth (Excludes Door Handle)	26 7/8"
G	Depth when drawer is fully opened	36 1/16"
H	Depth when door is fully opened	48 5/8"

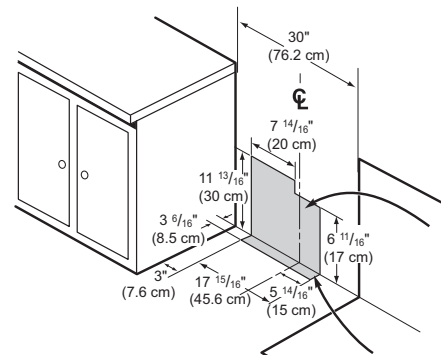


### CLEARANCES

1	Minimum	30"
2	Minimum clearance to left/right wall	5"
3	Maximum depth for cabinets above countertops	13"
4	Front edge of the range side panel forward from cabinet	1/4"
5	To cabinets below cooktop and at the range back	0"



### GAS PIPE AND ELECTRICAL OUTLET LOCATIONS



### CONNECTING GAS

#### Providing Adequate Gas Supply

- Your range is designed to operate at a pressure of 5" of water column on natural gas or 10" of water column on LP.
- Make sure you are supplying your range with the type of gas for which it is configured.
- This range is convertible for use on natural or LP gas. When using this range on LP gas, conversion must be made by a qualified LP installer before attempting to operate the range.
- For proper operation, the pressure of natural gas supplied to the regulator must be between 5" and 13" of water column.
- For LP gas, the pressure supplied to the regulator must be between 10" and 13" of water column. When checking for correct operation of the regulator, the inlet pressure must be at least 1" more than the operating (manifold) pressure as given above.
- The pressure regulator located at the inlet of the range must remain in the supply line regardless of which type of gas is being used.
- A flexible metal appliance connector used to connect the range to the gas supply line should have an I.D. of 5/8" and a maximum length of 5 feet. In Canada, flexible connectors must be single wall metal connectors less than 6 feet in length.

### CONNECTING ELECTRICITY

#### Electrical Requirements

- 120 Volt, 60 Hz, properly grounded dedicated circuit protected by a 15 or 20 Amp circuit breaker, or slow blow fuse.
- If an external electrical source is utilized, the appliance, when installed, must be electrically grounded in accordance with local codes or, in the absence of local codes, with the National Electrical Code, NFPA70 or the Canadian Electric Code, CSA C22.1-02.

#### ⚠ Grounding

- For personal safety, this appliance must be properly grounded.
- Do not, under any circumstances, cut or remove the third (ground) prong from the power cord.
- The customer should have the wall receptacle and circuit checked by a qualified electrician to make sure the receptacle is properly grounded.

### POWER/RATINGS

Amp Rating at 240V	44.2A (120VAC, 60Hz)
--------------------	----------------------