

OWNER'S MANUAL

WASHING MACHINE



Read this owner's manual thoroughly before operating the appliance and keep it handy for reference at all times.

EN ENGLISH FC FRANÇAIS

WT7850H*A



MFL68267080
Rev.00_110119

www.lg.com

Copyright © 2019 LG Electronics Inc. All Rights Reserved.

TABLE OF CONTENTS

3 SAFETY INSTRUCTIONS

3 IMPORTANT SAFETY INSTRUCTIONS

7 PRODUCT OVERVIEW

7 Parts

7 Accessories

8 INSTALLATION

8 Tools Needed

8 Product Specifications

9 Choosing the Proper Location

10 Unpacking and Removing Shipping Material

11 Connecting the Water Lines

12 Connecting the Drain Hose

13 Leveling the Washer

14 Connecting to the Power Supply

14 Testing the Washer

15 OPERATION

15 Using the Washer

16 Loading the Washer

17 Loading the Washer

18 Adding Cleaning Products

21 Control Panel

23 Wash Cycles

26 Cycle Guide

29 Cycle Modifier Buttons

30 Special Care Features

31 Option Buttons

33 SMART FUNCTIONS

33 LG SmartThinQ Application (For the product that contains the wireless LAN module)

36 Smart Diagnosis™ Function

37 MAINTENANCE

37 Regular Cleaning

39 Cleaning the Water Inlet Filters

40 Care in Cold Climates

41 TROUBLESHOOTING

41 Before Calling for Service

51 LIMITED WARRANTY

51 FOR CANADA

55 Warranty Exceptions

SAFETY INSTRUCTIONS

READ ALL INSTRUCTIONS BEFORE USE

Your safety and the safety of others are very important.

We have provided many important safety messages in this manual and on your appliance. Always read and follow all safety messages.



This is the safety alert symbol.

This symbol alerts you to potential hazards that can kill or injure you and others.

All safety messages will follow the safety alert symbol and either the word WARNING or CAUTION. These words mean:



WARNING

If you do not follow instructions, it could result in death or serious injury.



CAUTION

If you do not follow instructions, it could result in minor or moderate injury or damage to the product.

All safety messages tell you what the potential hazard is, tell you how to reduce the chance of injury, and tell you what may happen if the instructions are not followed.

IMPORTANT SAFETY INSTRUCTIONS



WARNING

To reduce the risk of explosion, fire, death, electric shock, scalding or injury to persons when using this product, follow basic precautions, including the following:

INSTALLATION

- Adhere to all industry recommended safety procedures including the use of long-sleeved gloves and safety glasses.
- Never attempt to operate this appliance if it is damaged, malfunctioning, partially disassembled, or has missing or broken parts, including a damaged cord or plug.
- Before use, the appliance must be properly installed as described in this manual.
- To reduce the risk of severe injury or death, follow all installation instructions.
- Refer to the INSTALLATION INSTRUCTIONS for detailed grounding procedures. Installation instructions are packed with the appliance for the installer's reference. If the appliance is moved to a new location, have it checked and reinstalled by qualified service personnel.
- Moving or installation of the appliance requires two or more people.
- Do not install the appliance in humid spaces.
- Store and install the appliance where it will not be exposed to temperatures below freezing or exposed to outdoor weather conditions.

- This appliance is not designed for maritime use or for mobile installations such as in RVs, trailers, or aircraft.
- Keep packing materials out of the reach of children. Packaging material can be dangerous for children. There is a risk of suffocation.
- Destroy the carton, plastic bag, and other packing materials after the appliance is unpacked. Children might use them for play. Cartons covered with rugs, bedspreads, or plastic sheets can become airtight chambers.
- The appliance must be installed and electrically grounded by qualified service personnel in accordance with local codes.
- Do not, under any circumstances, cut or remove the third (ground) prong from the power cord.
- When installing or moving the appliance, be careful not to pinch, crush, or damage the power cord.
- Connect to a properly rated, protected, and sized power circuit to avoid electrical overload.
- This appliance must be positioned near to an electrical power supply.
- Disconnect the power cord, house fuse or circuit breaker before installing or servicing the appliance.
- The power cord of this appliance is equipped with a 3-prong (grounding) plug which mates with a standard 3-prong (grounding) wall outlet to minimize the possibility of electric shock from this appliance.
- Use new hoses when connecting the appliance to the water supply. Do not reuse old hoses.

OPERATION

- Read all instructions before using the appliance and save these instructions.
- Use this appliance only for its intended purpose.
- If the product has been submerged, contact an LG Electronics customer information center for instructions before resuming use.
- If you detect a strange sound, a chemical or burning smell, or smoke coming from the appliance, unplug it immediately, and contact an LG Electronics customer information center.
- Under certain conditions, hydrogen gas may be produced in a hot-water system that has not been used for two weeks or more. **HYDROGEN GAS IS EXPLOSIVE.** If the hot-water system has not been used for such a period, before using the appliance turn on all hot water faucets and let the water flow from each for several minutes. This will release any accumulated hydrogen gas. As the gas is flammable, do not smoke or use an open flame during this time.
- Do not reach into the washer if the tub or drum, agitator, or any interior parts are moving. Before loading, unloading, or adding items, press Start/Pause and allow the tub or drum to coast to a complete stop before reaching inside.
- This appliance is not intended for use by persons (including children) with reduced physical, sensory or mental capabilities, or lack of experience and knowledge, unless they have been given supervision or instruction concerning the use of the appliance by a person responsible for their safety.
- Do not allow children or pets to play on, in or with the appliance. Close supervision is necessary when the appliance is used near children or pets.
- Keep laundry products out of children's reach. To prevent injury to persons, observe all warnings on product labels.
- Repair or immediately replace all power cords that have become frayed or otherwise damaged. Do not use a cord that shows cracks or abrasion damage along its length or at either end.
- Never unplug the appliance by pulling on the power cord. Always grip the plug firmly and pull straight out from the outlet.
- Do not use an extension cord or adapter with this appliance.
- Do not grasp the power cord or touch the appliance controls with wet hands.
- Do not modify or extend the power cord.
- If the electrical supply cord is damaged, it must only be replaced by the manufacturer or its service agent or a similar qualified person in order to avoid a hazard.
- Do not put oily or greasy clothing, candles or flammable materials on top of the appliance.

- Keep the area underneath and around your appliances free of combustible materials (lint, paper, rags, etc.), gasoline, chemicals and other flammable vapors and liquids.
- Do not store or use gasoline or other flammable vapors and liquids in the vicinity of this or any other appliance.
- Do not mix chlorine bleach with ammonia or acids such as vinegar. Follow package directions when using laundry products. Incorrect usage can produce poisonous gas, resulting in serious injury or death.
- Never use harsh chemicals, abrasive cleaners, or solvents to clean the washer. They will damage the finish.
- Do not wash articles that have been previously cleaned in, washed in, soaked in, or spotted with gasoline, dry-cleaning solvents, vegetable or cooking oil, or other flammable or explosive substances, as they give off vapors that could ignite or explode.
- Do not add gasoline, dry cleaning solvents, or other flammable or explosive substances to the wash water. These substances give off vapors that could ignite or explode.
- In the event of a gas leak (propane gas, LP gas, etc.) do not operate this or any other appliance. Open a window or door to ventilate the area immediately.
- Do not tamper with controls.
- Fix the drain hose securely in place to avoid flooding.
- Do not abuse, sit on, or stand on the lid (door) of the appliance.
- Keep hands and foreign objects clear of the lid (door) and latch area when closing the lid (door).
- Always check the inside of the appliance for foreign objects.
- Do not allow water, bleach or other liquids to sit in the tub for extended periods. Doing so can corrode the drum or cause mildew or odors.

MAINTENANCE

- Do not repair or replace any part of the appliance. All repairs and servicing must be performed by qualified service personnel unless specifically recommended in this owner's manual. Use only authorized factory parts.
- Disconnect this appliance from the power supply before cleaning and attempting any user maintenance. Turning the controls to the OFF position does not disconnect this appliance from the power supply.
- Remove any dust or foreign matter from the power plug pins.
- Do not disassemble or repair the appliance by yourself.
- Remove the lid (door) before the appliance is removed from service or discarded to avoid the danger of children or small animals getting trapped inside.
- Make sure the dispenser drawer or lid (door) is closed at all times when not being filled with laundry products.

GROUNDING INSTRUCTIONS

- Improper connection of the equipment-grounding conductor can result in a risk of electric shock. Check with a qualified electrician or service personnel if you are in doubt whether the appliance is properly grounded. Do not modify the plug provided with the appliance; if it will not fit the outlet, have a proper outlet installed by a qualified electrician.
- The appliance must be grounded. In the event of a malfunction or breakdown, grounding will reduce the risk of electric shock by providing a path of least resistance for electric current. The appliance is equipped with a cord having an equipment-grounding conductor and a grounding plug. The plug must be plugged into an appropriate outlet that is installed and grounded in accordance with all local codes and ordinances.

**CAUTION**

To reduce the risk of minor or moderate injury to persons, malfunction, or damage to the product or property when using this product, follow basic precautions, including the following:

INSTALLATION

- Install the product on a firm and level floor.

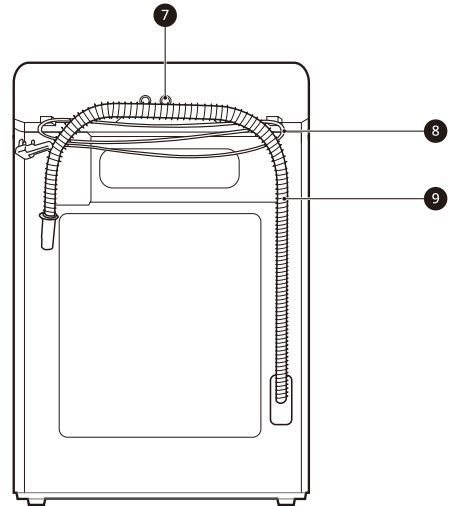
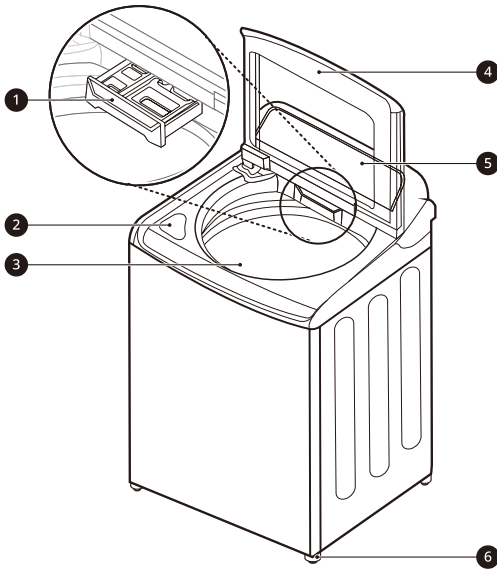
OPERATION

- Do not place objects on top of the appliance.
- Turn off the water faucets and unplug the appliance if the appliance is to be left for an extended period of time, such as during vacations.
- ALWAYS follow the fabric care instructions supplied by the garment manufacturer.
- Use fabric softeners or products to eliminate static only as recommended by the manufacturer.
- Do not combine laundry products for use in one load unless specified on the label.
- Do not touch draining water which may be hot.
- If the drain hose and the water supply hose are frozen in winter, defrost before using the appliance.
- Do not store or spill liquid detergents, cleaners, or bleaches (chlorine bleach, oxygen bleach) on the appliance. Doing so may result in corrosion, discoloration or damage to the surface of the appliance.
- Clothing or articles that are waterproof or water resistant must be washed in the Waterproof cycle only. (e.g. water resistant clothing, mattress covers, outdoor clothes, plastic mats, etc.) Otherwise, it may result in personal injury or damage to the washer, clothes, walls, floor, and surrounding objects due to abnormal vibration.

SAVE THESE INSTRUCTIONS

PRODUCT OVERVIEW

Parts



- | | | | |
|-----------------------------|--------------|-----------------|----------------|
| 1 Detergent Dispenser | 3 Tub | 5 Control Panel | 7 Water Inlets |
| 2 Liquid Bleach Compartment | 4 Lid (Door) | 6 Leveling Feet | 8 Power Cord |
| | | | 9 Drain Hose |

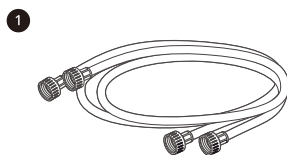
Accessories

Included Accessories



- 1 Tie Strap

Required Accessories



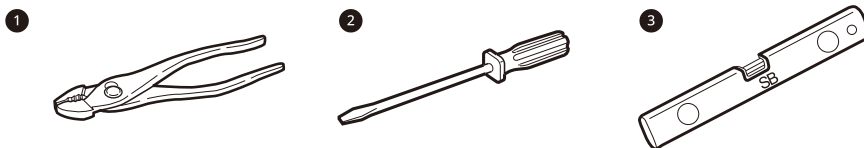
- 1 Hot and Cold Water Hoses

NOTE

- The images in this guide may be different from the actual components and accessories, which are subject to change by the manufacturer without prior notice for product improvement purposes.
- For your safety and for extended product life, use only authorized components. The manufacturer is not responsible for product malfunction or accidents caused by the use of separately purchased unauthorized components or parts.

INSTALLATION

Tools Needed



- ❶ Pliers
- ❷ Flat-blade Screwdriver
- ❸ Level

Product Specifications

The appearance and specifications listed in this manual may vary due to constant product improvements.

Model	WT7850H*A
Electrical requirements	120 VAC @ 60 Hz
Min. / Max. water pressure	20 - 120 psi (138 - 827 kPa)
Dimensions	27" (W) X 28 3/8" (D) X 44 1/4" (H), 57 1/4" (H with lid (door) open) 68.6 cm (W) X 72.1 cm (D) X 113 cm (H), 145.3 cm (H with lid (door) open)
Net weight	138.9 lb (63 kg)
Max spin speed	950 RPM (±50 rpm)

WARNING

- Moving or installation of the appliance requires two or more people. Failure to follow these instructions may result in injury.
- Store and install the appliance where it will not be exposed to temperatures below freezing or exposed to outdoor weather conditions. Failure to follow this warning can cause product or part failure, serious injury, fire, electric shock, or death.
- Properly ground the washer to conform with all governing codes and ordinances. Failure to follow this warning can cause serious injury, fire, electric shock, or death.
- To reduce the risk of electric shock, do not install the appliance in humid spaces. Failure to follow this warning can cause serious injury, fire, electric shock, or death.
- To ensure proper airflow, do not block the large opening on the bottom of the washer with carpeting or other materials.
- Do not remove the ground prong. Do not use an adapter or extension cord. Plug into a grounded 3-prong outlet. Failure to follow this warning can cause serious injury, fire, electric shock, or death.
- Certain internal parts are intentionally not grounded and may present a risk of electric shock only during servicing. Service personnel-do not contact the following parts while the appliance is energized. : pump, motor, noise filter cover, and heater (on applicable models).

Choosing the Proper Location

Install the washer on a solid floor that is strong and rigid enough to support the weight of the washer, even when fully loaded, without flexing or bouncing. If the floor has too much flex, you may need to reinforce it to make it more rigid. If the floor is not solid, it may cause severe vibration and noise.

NOTE

- Before installing the washer, make sure the floor is clean, dry and free of dust, dirt, water and oil so the washer feet cannot slide easily. Leveling feet that can move or slide on the floor can contribute to excess vibration and noise due to poor contact with the floor.
- Allow for sufficient space between the walls and the washer for installation.

Power Outlet

- The power outlet must be within 60 inches (1.5 m) of either side of the washer.
- The appliance and outlet must be positioned so that the plug is easily accessible.
- Do not overload the outlet with more than one appliance.
- The outlet must be grounded in accordance with current electrical wiring codes and regulations.
- Use a time-delay fuse or circuit breaker.

NOTE

- It is the personal responsibility and obligation of the product owner to have a proper outlet installed by a qualified electrician.

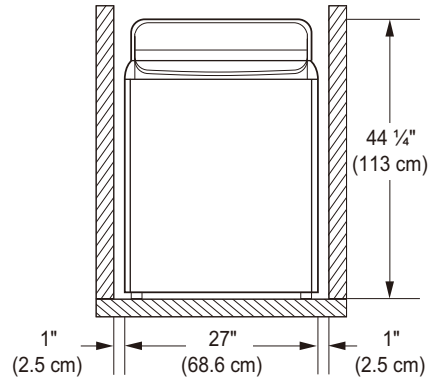
Flooring

- To minimize noise and vibration, the washer must be installed on a solidly constructed floor.
- Allowable slope under the entire washer is a maximum 1 inch difference from side to side or from front to back.
- Installing on carpeting and soft tile surfaces is not recommended.
- Never install the washer on a platform or weakly supported structure.

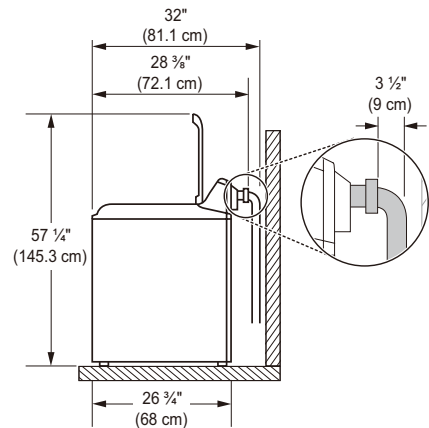
NOTE

- The washer must be installed on firm flooring to minimize vibration during the spin cycle. Concrete flooring is best, but a wood floor is sufficient, provided it is built to FHA standards.

Floor Installation



To ensure sufficient clearance for water lines, the drain line and airflow, allow minimum clearances of at least 1 inch (2.5 cm) at the sides and 4 inches (10 cm) behind the unit. Be sure to allow for wall, door, or floor moldings that may increase the required clearances.



- Minimum vertical space from floor to overhead shelves, cabinets, ceilings, etc., is 58 inches (147 cm).

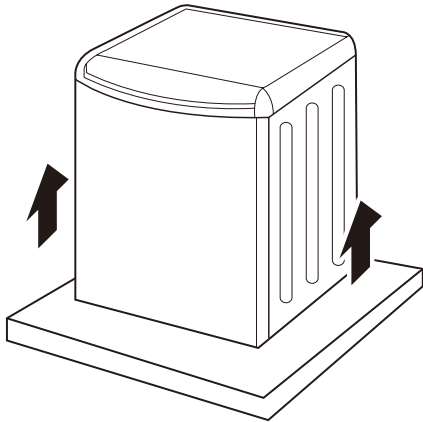
Unpacking and Removing Shipping Material

Unpack all shipping materials from the washer for proper operation and inspect it for shipping damage.

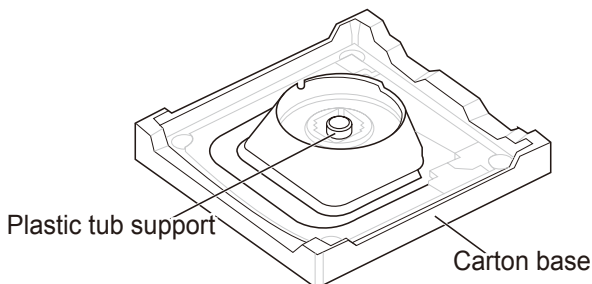
CAUTION

- Failure to remove shipping materials can cause excessive noise and vibration.

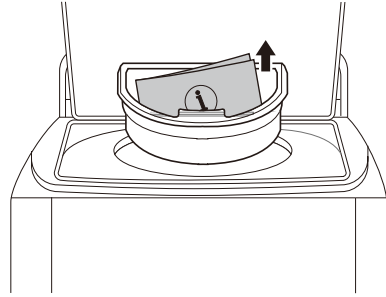
- 1 Lift the washer off the foam base.
 - After removing the carton and shipping material, lift the washer off the foam base. Make sure the plastic tub support comes off with the base and is not stuck to the bottom of the washer.



- If you must lay the washer down to remove the base packaging materials, always protect the side of the washer and lay it carefully on its side. Do not lay the washer on its front or back.

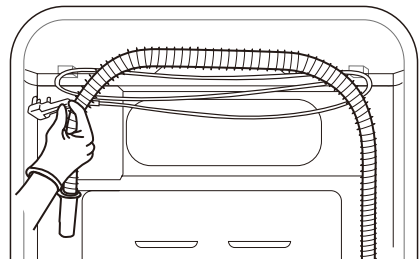


- 2 To prevent damage, do not remove the foam block containing the owner's manual, parts, and laundry product samples from the washer tub until the washer is in the final location.



NOTE

- Once removed, save the foam block for future use. If the washer needs to be moved, the foam block will help prevent damage during transportation.
- 3 Unfasten the power cord from the back of the washer.

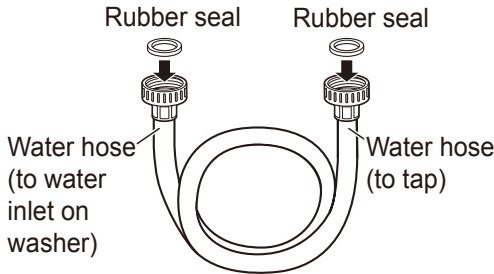


Connecting the Water Lines

To avoid the risk of costly water damage, purchase and install new inlet hoses when installing the washer.

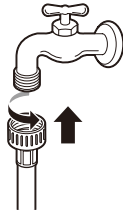
1 Check the fittings and seals.

- Inspect the threaded fitting on each hose and make sure there is a rubber seal in place in both ends of each hose to prevent leaking.



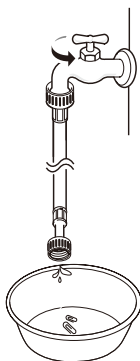
2 Connect the water supply hoses.

- Connect the water supply hoses to the hot and cold water faucets tightly by hand and then tighten another 2/3 turn with pliers. Connect the blue hose to a cold water faucet and the red hose to a hot water faucet.



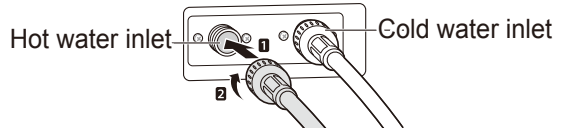
3 Flush out the inlet hoses.

- After connecting the inlet hoses to the water faucets, turn on the water faucets to flush out foreign substances (dirt, sand or sawdust) in the water lines. Let water drain into a bucket, and check the water temperature to make sure you've connected the hoses to the correct faucets.



4 Attach the water lines to the back of the washer.

- Attach the hot water line to the hot water inlet on the back of the washer. Attach the cold water line to the cold water inlet on the back of the washer. Tighten the fittings securely. Turn ON both faucets all the way and check for leaks at both ends of the hoses.



! WARNING

- Do not overtighten the hoses or cross-thread the hose fittings. Overtightening or cross-threading can damage the valves or couplings, resulting in leaking and property damage.
- Do not reuse old hoses. Use only new hoses when installing the washer. Old hoses could leak or burst causing flooding and property damage. Contact an LG Customer Information Center for assistance in buying hoses.

NOTE

- Periodically check the hoses for cracks, leaks, and wear, and replace the hoses every five years. Do not stretch the water hoses intentionally, and make sure that they are not pinched, crushed or kinked by other objects.
- Water supply pressure must be between 20 psi and 120 psi (138 – 827 kPa). If the water supply pressure is more than 120 psi, a pressure reducing valve must be installed.
- To provide optimum washing performance, the hot water temperature should be set at 120 – 135 °F (48 – 57 °C) and the cold at 60 °F (15 °C).
- The washer should never be installed or stored in a location subject to freezing temperatures. Damage to the water lines and internal mechanisms of the washer can result. If the washer was exposed to freezing temperatures prior to installation, allow it to stand at room temperature for several hours before use and check for leaks prior to operation.
- Do not use flood-preventing hoses with auto shutoff devices. The devices can be tripped during fill and prevent the machine from filling properly.

Connecting the Drain Hose

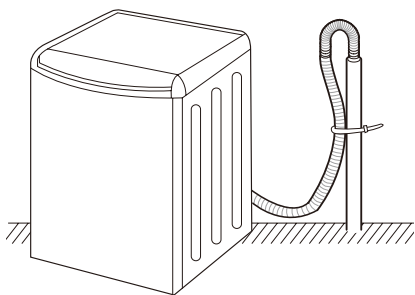
Connect the drain hose to either a standpipe or laundry tub.

NOTE

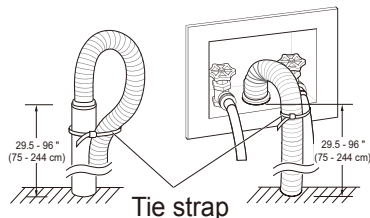
- The drain hose should always be properly secured. Failure to properly secure the drain hose can result in flooding and property damage.
- The drain must be installed in accordance with any applicable local codes and regulations.
- Make sure that the drain hose is not stretched, pinched, crushed, or kinked.
- Do not install the drain hose with the end lower than 29.5 inches (75 cm) or higher than 96 inches (244 cm) above the bottom of the washer or more than 60 inches (152 cm) away from the washer.
- Never create an airtight seal between the hose and the drain with tape or other means. If no air gap is present, water can be siphoned out of the tub resulting in poor wash/rinse performance or clothing damage.

Option 1: Standpipe

- 1 Insert the end of the drain hose into the standpipe.
- 2 Use the provided tie strap to secure the drain hose in place.



- 3 If the water valves and drain are built into the wall, fasten the drain hose to one of the water hoses with the tie strap provided (ribbed side on inside).



CAUTION

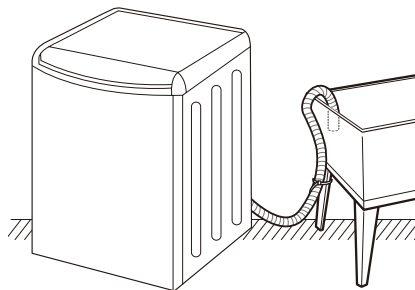
- Do not insert the end of the drain hose into the standpipe more than 8 inches (20 cm). Doing so can cause siphoning, odors, or improper draining.

NOTE

- If the drain is large enough for the flange on the hose to fit inside, then do not insert the flange more than 1-2 inches into the drain.

Option 2: Laundry Tub

- 1 Hang the end of the drain hose over the side of the laundry tub.
- 2 Use the provided tie strap to secure the drain hose in place.



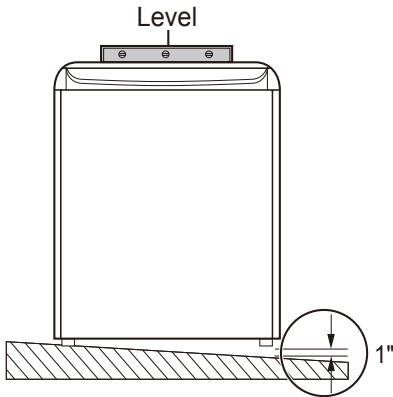
Leveling the Washer

The tub of the washer spins at very high speeds. To minimize vibration, noise, and unwanted movement, the floor must be a level, solid surface.

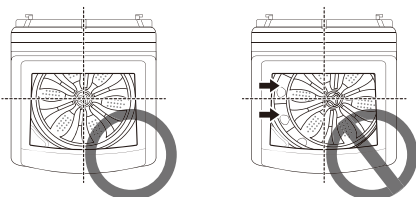
NOTE

- Adjust the leveling feet only as far as necessary to level the washer. Extending the leveling feet more than necessary can cause the washer to vibrate.
- Before installing the washer, make sure that the floor is clean, dry and free of dust, dirt, water and oil so the washer feet cannot slide easily. Feet that move or slide on the floor can contribute to excessive vibration and noise due to poor contact with the floor.

- 1 Position the washer in its final location.
 - Take special care not to pinch, strain, or crush the water and drain lines. If you have a carpenter's level, you can use it to check that the washer level. The slope beneath the washer should not exceed 1 inch, and all four leveling feet must rest firmly on the floor.

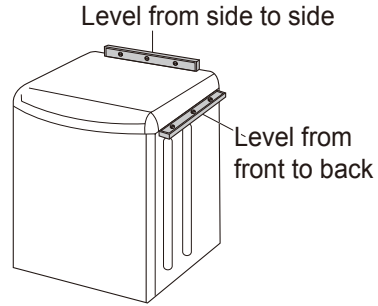


- 2 Open the lid (door) and look from above to see if the tub is centered.
 - If the tub is NOT centered, readjust the front feet. If you have a level, check the washer with the level.

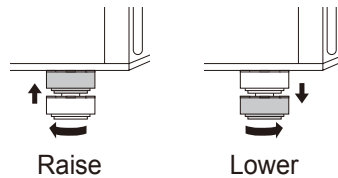


NOTE

- To check if the washer is level from side to side, place a level on the back edge of the lid (door).
- To check if the washer is level from front to back, place a level at the side of the washer on the edge where the cabinet side meets the top cover. Do not place the level on the top of the lid (door). Using these surfaces will result in the washer being unlevel.



- 3 Adjust the lower leveling feet.
 - Turn in one direction to raise the washer or the other direction to lower it.



- 4 Recheck the washer's levelness.
 - Push or rock the top edges of the washer gently to make sure the washer does not rock. If the washer rocks, repeat steps 1-3.

CAUTION

- Using the washer without leveling it may cause excess vibration and noise, leading to a machine malfunction.
- Extend the leveling feet only to level the washer. If you extend the leveling feet unnecessarily, it may cause abnormal vibration of the washer.

NOTE

- If the washer is not level, the lid (door) may not stay open properly. If this happens, extend the front leveling legs until the washer is level from front to back.

Connecting to the Power Supply

The washer should be plugged into a 120-VAC, 60 Hz grounded 3-prong outlet. Plug in the washer.

WARNING

- Do not use a worn or damaged power cord or power plug. Replace or repair it immediately. Failure to do so may result in death, fire, electric shock, or malfunction.
- Do not modify the power cord and plug provided with the appliance. Do not damage it when installing or moving the washer. Doing so may result in death, fire, electric shock, or malfunction.
- Make sure that the washer is grounded.
- Connect this washer to a grounded outlet conforming to the rating prior to use. Failure to do so may result in fire, electric shock, or malfunction.
- Do not damage or cut off the ground prong of the power cord. Doing so may cause death, fire, electric shock, or product malfunction.
- Improper connection of the equipment-grounding conductor can result in risk of electric shock. Check with a qualified electrician or service technician if you are in doubt as to whether the appliance is properly grounded. If it does not fit the outlet, have a proper outlet installed by a qualified electrician.
- The appliance and outlet must be positioned so that the plug is easily accessible.
- Do not use adapters or extension cords. Doing so may result in serious injury, fire, electric shock, or death.
- For best performance, plug the washer into its own individual outlet. This helps prevent overloading house wiring circuits which could cause a fire hazard from overheated wires.
- If necessary, use a new, UL-listed 3-prong adapter or 3-wire extension cord with a 3-prong (grounding) plug rated at no less than the branch circuit. Do not use an extension cord longer than 3 feet. Failure to follow these warnings may result in serious injury, fire, electric shock, or death.

Testing the Washer

Check if the washer is properly installed and run a test cycle.

- 1 Make sure the tub is empty. Do not load anything in the tub for this test.
- 2 Press the **Power** button then immediately press and hold both the **Spin** and **Soil** buttons until an `In5` code appears in the display. (See below for a key to the codes.)

Display	Information
In5	Initial test
In5□	Previous test result was good.
In5E	Previous test was ended with an error.

NOTE

- In is displayed first, and 5, 5□ or 5E is displayed.
- The indication is different for each model.

- 3 Press the **Start/Pause** button.
 - The washer will start the test, which will last about 3 minutes. The test automatically checks the water inlet hoses and the drain hose.
- 4 Check the display for results.
 - If error code is displayed, refer to the following guide.

Error Code	Solution
I E	Fully open the water faucets. Straighten out any kinks in the inlet hoses and make sure the hoses are not pinned against the wall or under the washer.
□E	Straighten out any kinks in the drain hose and make sure the hose is not pinned against the wall or under the washer. Remove and flush out the drain hose to remove clogs. Adjust or repair the drain. Maximum drain height is 96 inches.

- 5 End of cycle.
 - At the end of the test cycle, End or □ will display. The test cycle will end and the washer will shut off automatically after a short delay.

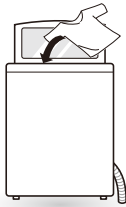
OPERATION

Using the Washer

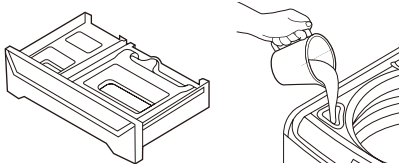
WARNING

- To reduce the risk of fire, electric shock, or injury to persons, read the **SAFETY INSTRUCTIONS** before operating this appliance.

- Sort laundry and load the washer.
 - Sort laundry by fabric type, soil level, color and load size, as needed. Open the lid (door) and load items into the washer.



- Add cleaning products.
 - Add the proper amount of HE (High-Efficiency) detergent to the detergent dispenser. If desired, add bleach or fabric softener to the appropriate dispensers.



- Turn on the washer.
 - Press the **Power** button to turn on the washer. The lights above the cycle buttons will illuminate and a chime will sound.



- Select a cycle.
 - Turn the cycle selector knob or press the cycle buttons repeatedly until the desired cycle is selected. The preset wash temperature, spin speed, soil level and option settings for that cycle are shown.
 - Pressing the **Start/Pause** button without selecting a cycle will cause the **Normal** cycle to begin immediately.
- Adjust settings.
 - Default settings for the selected cycle can now be changed, if desired, using the cycle modifier and option buttons.

NOTE

- Not all modifiers and options are available on all cycles. A different chime sounds and the LED does not light up if the selection is not allowed.

- Begin cycle.
 - Press the **Start/Pause** button to begin the cycle.
 - The lid (door) locks, and the washer agitates briefly without water to measure the weight of the load.
- Additional garments can be added to the tub while the **Add Garments** light is on.
 - The **Add Garments** light illuminates near the beginning of the wash cycle to indicate when it is safe to add items to the load. Press the **Start/Pause** button to pause the cycle and add garments to the load. Press the **Start/Pause** button to resume the cycle.

NOTE

- Adding items after the **Add Garments** light turns off may result in poor wash performance.

- End of cycle.
 - When the cycle is finished, a melody sounds. Immediately remove the clothing from the washer to reduce wrinkling.
 - If the washer includes lint filters, remember to check them after every 2 to 3 loads.

Loading the Washer

CAUTION

- The washer can be fully loaded, but the tub should not be tightly packed with items. The lid (door) of the washer should close easily.
- Use the **Bedding** cycle for buoyant or nonabsorbent items such as pillows or comforters. Failure to follow this caution can result in leakage.
- Clothing or articles that are waterproof or water resistant must be washed in the Waterproof cycle only. (e.g. water resistant clothing, mattress covers, outdoor clothes, plastic mats, etc.) Otherwise, it may result in personal injury or damage to the washer, clothes, walls, floor, and surrounding objects due to abnormal vibration.

Grouping Similar Items

For the best washing results, and to reduce the possibility of damage to clothing, care should be taken to sort the clothing into loads that are made up of similar items.

Mixing different fabric types and/or soil levels can result in poor wash performance, color transfer, discoloration, fabric damage or linting. Fabrics should be sorted into groups as described below.

Colors

Sort articles by color. Wash dark clothes together in a separate load from light colors or whites. Mixing dark clothes with light clothes can result in dye transfer or discoloration of the lighter clothes.

Soil Level

Wash heavily soiled clothing together. Washing lightly soiled clothing in the same load with heavily soiled clothing could result in poor wash performance for the lightly soiled clothing.

Fabric Type

Delicate articles should not be mixed with heavy or sturdy fabric types. Washing heavy fabrics in a delicate load can result in poor wash performance for the heavy fabrics and possible damage to the delicates.

Lint Type







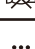




Some fabrics attract and bind lint to them while others give off lint in the laundry process. Avoid mixing these lint collectors and lint producers in the same load. Mixing these fabrics will result in pilling and linting on the lint collectors. (For example, lint collector—knit sweater; lint producer—terry cloth towels.)

Sort Laundry

By Colors	By Soil	By Fabric	By Lint
White	Heavy	Delicates	Lint Producer
Lights	Normal	Easy Care	Lint Collector
Darks	Light	Sturdy	

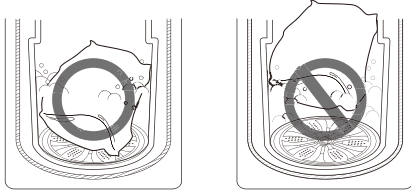
Fabric Care Labels

Many articles of clothing include a fabric care label. Using the chart below, adjust the cycle and option selections to care for your clothing according to the manufacturer's recommendations.

Category	Label	Directions
 Washing		Hand wash
		Machine wash, Normal cycle
		Perm Press/Wrinkle Resistant setting (which has a cool down or cold spray before the slower spin)
		Gentle/Delicate setting (slow agitation and/or reduced wash time)
		Do not wash
		Do not wring
Water Temperature	...	Hot
	..	Warm
	.	Cold/Cool
 Bleach Symbols		Any bleach (when needed)
		Only non-chlorine bleach (when needed)
		Do not bleach

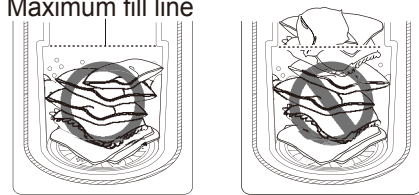
Loading the Washer

- Check and empty pockets. Paper clips, coins, matches, etc. can damage clothing and the washer.
- Close zippers and hooks, and tie drawstrings to prevent snagging or tangling of clothes.
- Pretreat heavily stained areas for best results.
- Combine large and small items in a load. Load large items first. Large items should not be more than half of total load.
- Wash thick, bulky items individually. Heavy blankets, comforters, bedspreads, or pet beds can get tangled or cause an unbalanced load if combined with other items.
- The washer can be fully loaded, but the tub should not be tightly packed with items. The lid (door) of the washer must close easily.



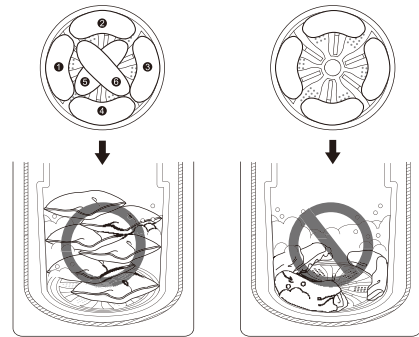
- Bulky items should be placed as far down in the tub as possible for optimal results. Always place buoyant items at the bottom of the tub. The washer will automatically detect the load size. Because of the high efficiency wash system, the water level may not completely cover the load.
- Do not overload the tub. Clothes should fit loosely in the tub under the maximum fill line. Loading clothes over the fill line may result in damage to clothing and the washer.
- Load clothes loosely, and do not overfill the tub. Clothes need room to circulate in order to get clean.
- Do not press down on items while stacking them in the tub.

Maximum fill line



- For best performance, load clothes as shown.

- Do not wash single small items. Add 1-2 similar items to the load to prevent an out-of-balance load.
- Clothing or articles that are waterproof or water resistant must be washed in the Waterproof cycle only. (e.g. water resistant clothing, mattress covers, outdoor clothes, plastic mats, etc.) Otherwise, it may result in personal injury or damage to the washer, clothes, walls, floor, and surrounding objects due to abnormal vibration.
- Wash small, light items in a mesh bag. Small items can get caught in the impeller at the bottom of the tub, and brassiere hooks can damage other items or the tub.
- Brush off heavy soil, dust, and hair from items before washing. Excess dirt or sand can abrade other fabrics and lead to poor wash performance.
- The washer will not fill or operate with the lid (door) open.
- Use the Bedding cycle for large or bulky items such as poly-filled jackets, comforters, pillows, etc. These items may not be as absorbent as other laundry items and should be sorted into a separate wash load for optimal results.



Adding Cleaning Products

About the Dispensers

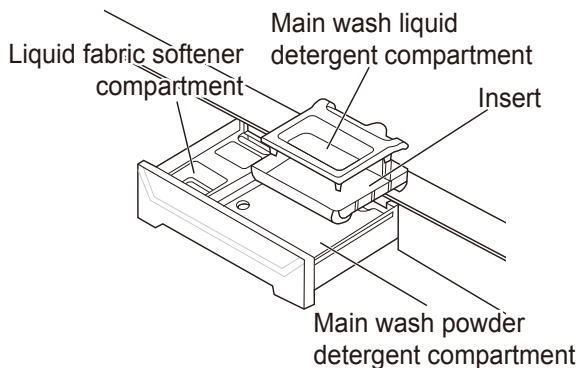
The automatic dispenser consists of two compartments which hold:

- Liquid fabric softener
- Liquid or powdered detergent for main wash

Using the Detergent and Softener Dispensers

To add detergent and fabric softener to the automatic dispenser:

- 1 Open the dispenser drawer.
- 2 Load the laundry products into the appropriate compartments.



- 3 Close the drawer completely before starting the cycle.
 - Be careful not to catch a hand in the drawer while closing.

CAUTION

- Do not place or store laundry products, such as detergent, bleach, or liquid fabric softener, on top of your appliance. Wipe up any spills immediately. These products can damage the appliance's finish and controls.

NOTE

- It is normal for a small amount of water to remain in the dispenser compartments at the end of the cycle.

Main Wash Detergent Compartment

This compartment holds laundry detergent for the main wash cycle. Either powdered or liquid detergent may be used in this compartment. The detergent is added to the load at the beginning of the cycle. Always use HE (High-Efficiency) detergent with your washer.

NOTE

- Never exceed the manufacturer's recommendations when adding detergent. Using too much detergent can result in detergent buildup in clothing and the washer.
- When using liquid detergent, make sure the liquid detergent compartment and insert are in place. Do not exceed the maximum fill line.
- When using powdered detergent, remove the insert and liquid detergent compartment from the dispenser. Powdered detergent will not dispense with the liquid detergent compartment and insert in place.
- If you use a detergent that does not dissolve easily or a detergent with high viscosity, it will leave a residue and clog the dispenser.

Fabric Softener Compartment

This compartment holds liquid fabric softener, which is automatically dispensed during the final rinse cycle.

NOTE

- Do not exceed the manufacturer's recommendations when adding softener. Using too much fabric softener can result in buildup in clothing and the washer. Either powdered or liquid fabric softener may be used.
- Follow the manufacturer's recommendations when adding fabric softener. Do not exceed the maximum fill line. Using too much fabric softener may stain clothes.
- Dilute concentrated fabric softeners with warm water.
- Never pour fabric softener directly onto the load or into the tub.

Using the Liquid Bleach Dispenser

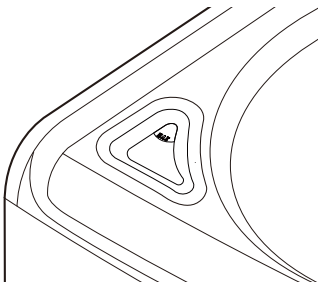
The bleach dispenser is a separate compartment at the left front of the tub opening.

Type 1

The bleach dispenser is connected to the inlet valve. The bleach is automatically diluted and dispensed at the proper time in the wash cycle.

NOTE

- The dispenser is activated twice to ensure complete dispensing of the bleach. Any liquid remaining in the dispenser at the end of the cycle is water, not bleach.

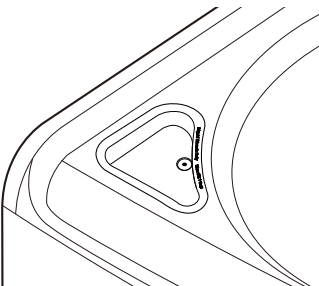


Type 2

- When you pour the bleach into the bleach dispenser, the bleach is immediately added to the tub as it fills with water, safely diluting the bleach.

NOTE

- The dispenser cover cannot be removed. To clean the cover, wipe it with a damp paper towel.



- 1 Check clothing care labels for special instructions.
- 2 Measure liquid bleach carefully, following instructions on the bottle.
 - High-efficiency washers use less water, so less bleach is needed. One half cup is enough for most loads.
- 3 Carefully pour the pre-measured amount of bleach directly into the bleach dispenser.
 - If you are using powdered bleach of any kind, pour it directly into the tub before adding the laundry. Never add powdered bleach to the liquid bleach dispenser.

! WARNING

- Do NOT mix chlorine bleach with ammonia or acids such as vinegar or rust/scale remover. Mixing chemicals like these can produce a lethal gas, resulting in severe injury or death.

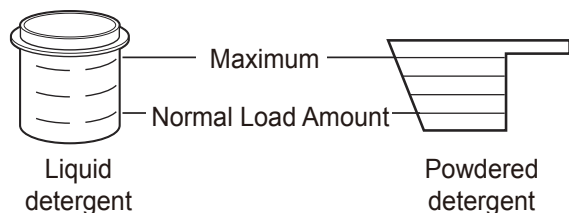
NOTE

- Do not add powdered bleach to this dispenser. The bleach dispenser is designed to dispense liquid bleach only. Powdered or liquid color-safe bleach will not dispense properly.
- Do not place laundry items on top of the bleach dispenser when loading and unloading the washer.
- Always follow the manufacturer's recommendations when adding bleach. Never add more than one cup and do not exceed the maximum fill line since this can cause the bleach to be dispensed immediately, resulting in damage to fabrics. Using too much bleach can damage fabrics.
- Never pour undiluted liquid chlorine bleach directly onto the load or into the tub. Fabric damage can occur.
- Do not use color-safe bleach or Oxi products in the same cycle with liquid chlorine bleach.

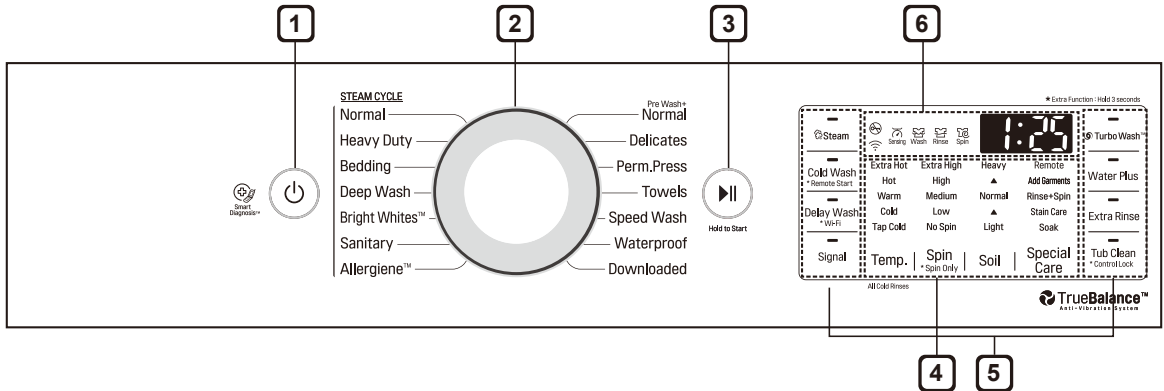
- Detergent Use
- This washer is designed for use with only HE (High-Efficiency) detergents. HE detergents produce fewer suds, dissolve more efficiently to improve washing and rinsing performance, and help to keep the interior of the washer clean. Using detergent that is not HE may cause oversudsing and unsatisfactory performance which could result in error codes, cycle failure, and machine damage.



- For proper wash performance, always measure detergent using the measuring device provided by the detergent manufacturer. For an average load, use less than half of the recommended maximum. Use less detergent for soft water, light soil, or smaller loads.
- Never use more than the maximum amount of detergent recommended by the manufacturer. Using too much detergent can lead to oversudsing, poor rinsing, detergent buildup in clothing, and residue buildup that can contribute to odors in the machine.
- Use extra care when measuring 2X and 3X concentrated detergents because even a small amount extra can lead to problems.
- Detergents designated as HE-compatible may not provide optimal results.
- Do not use more than one detergent pod in the washer. Using too much detergent may cause oversudsing and unsatisfactory performance. Reduce detergent amount or add an extra rinse if detergent residue is left on fabrics. To add an extra rinse, press the Extra Rinse button.



Control Panel



Control Panel Features

1 Power On/Off Button

- Press to turn the washer on. Press again to turn the washer off. Pressing the Power button during a cycle will cancel that cycle and any load settings will be lost. The lid (door) will unlock after a brief pause.

NOTE

- If there is any water remaining in the tub after the washer shuts off, it will drain following 4 minutes delay. The washer can be restarted any time before the drain begins. However, once the water begins to drain, all functions will be suspended until the water has been completely drained and the washer shuts off.

2 Cycle Selector Knob

- Turn this knob to select the desired cycle. Once the desired cycle has been selected, the standard presets will appear in the display. These settings can be adjusted using the cycle modifier buttons anytime before starting the cycle.

NOTE

- To protect your clothing, not all settings are available on all cycle selections.

3 Start/Pause Button

- Press this button to start the selected cycle. If the washer is running, use this button to pause the cycle without losing the current settings.

NOTE

- If **Start/Pause** is not pressed within 60 minutes of selecting a cycle, the washer automatically turns off and all cycle settings are lost. Any water remaining in the tub will be drained.

4 Cycle Modifier Buttons

- Use these buttons to adjust the water temperature, spin speed and soil level settings for the selected cycle. The current settings are shown in the display. Press the button for that option to select other settings.

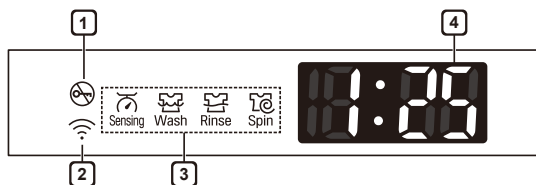
5 Special Cycle and Option Buttons

- Press these buttons to select special cycles or additional cycle options. Certain buttons also allow you to activate special functions by pressing and holding the button for three seconds.

6 Time and Status Display

- The display shows the settings, estimated time remaining, options, and status messages for your washer. When the washer is turned on, the default settings in the display will illuminate.

Time and Status Display



1 Door Lock Indicator

- The Door Lock indicator will light up once a cycle has started. The indicator light will stay on until the cycle is paused, stopped or has finished.

2 Wi-Fi Connect Indicator

- The indicator blinks during product registration and Wi-Fi setup and illuminates when the appliance is connected to a home Wi-Fi network.

3 Cycle Status Indicator

- These LEDs illuminate when a cycle is selected to indicate which stages are included. When a cycle is running, the LED for the active stage blinks, and the LEDs for the remaining stages remain steady.
- Once a stage is complete, the LED turns off. If a cycle is paused, the active stage LED stops blinking.

4 Estimated Time Remaining

- When a cycle is selected, the default time for that cycle is displayed. This time will change as modifiers or options are selected. Once the **Start/Pause** button is pressed, the washer will measure the size of the load. The estimated time may change once the load size has been measured. If **Delay Wash** is set, the remaining delay time counts down until the cycle begins.

NOTE

- The time shown is only an estimate. This time is based on normal operating conditions. Several external factors (load size, room temperature, incoming water temperature, etc.) can affect the actual time.

Wash Cycles

Wash cycles are designed for the best wash performance for each type of load. Select the cycle that best matches the load contents for maximum wash performance and fabric care. See the Sorting Laundry section for best results, follow the fabric care labels on your garments. For a guide to fabric care symbols, see the Sorting Laundry section.


Turn the knob or press the button to select the desired cycle. When you select a wash cycle, the light for the corresponding wash cycle will turn on.

NOTE

- Whenever load weights are mentioned, assume 1 lb (0.45 kg) = 1 thick bath towel (dry).

Cycle	Description	Note
Normal	Use this cycle to wash all normal items, except delicate fabrics such as wool or silk. Fabric type : Cotton, linen, shirts, jeans, mixed loads	<ul style="list-style-type: none"> • Pressing the Start/Pause button without selecting a cycle will cause the Normal cycle to begin immediately, using the default settings.
Heavy Duty	This cycle is for washing heavily soiled laundry using more powerful wash motions. Fabric type : Heavily soiled cotton fabrics	<ul style="list-style-type: none"> • When washing large loads, in order to deliver the best performance, there will be brief periods of 2 minutes or more without agitation. These soak periods are part of the cycle's design, and are normal.
Bedding	This cycle is for washing blankets or bulky items. Fabric type : Large items such as blankets, comforters, and sheets	<ul style="list-style-type: none"> • Do not use this cycle to wash a mixed load of bedding and non-bedding items. • Use this cycle for items such as pillows, comforters, pet bedding and other articles which have difficulty absorbing water. • Do not wash excessively large items. If large/bulky items do not fit easily into the tub, there may not be enough room for them to move during washing. • Keep like items together; do not mix large/bulky items with smaller articles of clothing.
Deep Wash	Use this cycle to provide additional water and wash heavily soiled mixed items, except delicate fabrics.	-
Bright Whites™	This cycle is for washing white items only. Fabric type : Underwear, pillow covers, bed sheets, baby wear. (less than 12 lbs.)	-
Sanitary	This wash cycle reduces 99.9% of bacteria on laundry through high temperature. Fabric type : White fabrics	-

Cycle	Description	Note
Allergiene™	<p>This cycle is a powerful, high temperature cycle designed specifically to reduce certain allergens.</p> <p>Fabric type : Heavily soiled underwear, work clothes, diapers, etc. (less than 11 lbs.)</p>	<ul style="list-style-type: none"> • Selecting the Allergiene™ cycle automatically incorporates steam into the wash cycle. • The Allergiene™ cycle can significantly reduce allergens in bedding and clothing. • The Allergiene™ cycle helps reduce dust mite populations and helps reduce allergens. • Due to the higher energy and temperatures used, the Allergiene™ cycle is not recommended for wool, silk, leather, or any other delicate or temperature-sensitive items.
Pre Wash+Normal	<p>Use this cycle to prewash stains without needing to hand wash. Prompt treatment helps to prevent stains from setting or odors from developing.</p>	<ul style="list-style-type: none"> • When chime sounds, press the Start/Pause button to unlock lid, add main detergent to dispenser, and insert remainder of laundry. If the Start/Pause is not pressed within about 3 minutes, the cycle continues. (If Signal is turned off, the chime won't sound.)
Delicates	<p>This cycle is for washing lingerie or sheer and lacy clothes which can easily be damaged.</p> <p>Fabric type : Dress shirts/blouses, nylons, sheer or lacy garments (less than 8 lb.)</p>	-
Perm.Press	<p>This cycle is for washing items such as wrinkle-free clothes or tablecloths to minimize wrinkles.</p> <p>Fabric type : Dress shirts/pants, wrinkle-free clothing, poly/cotton blend clothing, tablecloths</p>	-
Towels	<p>Use this cycle for washing towels, shirts, jeans and mixed loads.</p> <p>Fabric type : Big towels, small towels</p>	-
Speed Wash	<p>Use the Speed Wash cycle to quickly wash lightly soiled clothing and small loads. For high wash and rinse efficiency, washing small loads of 2-3 lightly soiled garments is recommended.</p> <p>Fabric type : Lightly soiled and small loads</p>	<ul style="list-style-type: none"> • Use very little detergent in this cycle. If you want additional rinsing, you can add extra rinses by using the Extra Rinse button.

Cycle	Description	Note
Waterproof	<p>This cycle is used for washing waterproof material.</p> <p>Fabric type : Waterproof items such as water resistant clothing, mattress covers, outdoor clothes, and plastic mats (less than 14 lb.)</p>	<ul style="list-style-type: none"> • Do not use any other wash cycle to wash waterproof fabrics. • Do not use this cycle to wash a mixed load of waterproof and non-waterproof items. • Check the washing instructions on items before using this cycle. • Do not wash other fabrics using this cycle. <p> CAUTION</p> <ul style="list-style-type: none"> • If waterproof material laundry is washed in a course other than Waterproof, it may result in injury or damage to the washer, clothes, walls, floor, and surrounding objects due to abnormal vibration.
Downloaded	<p>If you download a cycle using the function, it will be placed in the Downloaded cycle position. Choose the Downloaded cycle to run the new cycle.</p>	<ul style="list-style-type: none"> • The default cycle for this position is Small Load, used for normally soiled loads with just a few items. The Small Load cycle is also available for download.

Cycle Guide

Cycle	Temp.	Spin	Soil	Soak	Stain Care	Cold Wash	Extra Rinse	Water Plus	Turbo Wash™	Steam
Normal	Extra Hot	Extra High	Heavy							
	Hot	High								
	Warm	Medium	Normal	●	●	●	●	●	●	●
	Cold									
	Tap Cold	No Spin	Light							
Heavy Duty		Extra High	Heavy							
	Hot	High								
	Warm	Medium	Normal	●	●		●	●	●	●
	Cold	Low								
	Tap Cold	No Spin	Light							
Bedding			Heavy							
	Hot									
	Warm	Medium	Normal	●		●	●			●
	Cold	Low								
	Tap Cold	No Spin	Light							
Deep Wash		Extra High	Heavy							
	Hot	High								
	Warm	Medium	Normal	●			●	●		●
	Cold	Low								
	Tap Cold	No Spin	Light							
Bright Whites™		Extra High	Heavy							
	Hot	High								
	Warm	Medium	Normal	●			●	●	●	●
		Low								
		No Spin	Light							

● = available option, ■ = default setting

Cycle	Temp.	Spin	Soil	Soak	Stain Care	Cold Wash	Extra Rinse	Water Plus	Turbo Wash™	Steam
Sanitary	Extra Hot	Extra High	Heavy	●				●	●	●
		High								
		Medium	Normal							
		Low								
	No Spin	Light								
Allergiene™	Extra Hot	Extra High	Heavy					●	●	●
		High								
		Medium	Normal							
		Low								
	No Spin	Light								
Pre Wash +Normal	Extra Hot	Extra High		●				●	●	●
	Hot	High								
	Warm	Medium	Normal							
	Cold	Low								
	Tap Cold	No Spin	Light							
Delicates			Heavy	●				●	●	
	Warm		Normal							
	Cold	Low								
	Tap Cold	No Spin	Light							
Perm.Press			Heavy	●				●	●	●
	Warm	Medium	Normal							
	Cold	Low								
	Tap Cold	No Spin	Light							

● = available option, ■ = default setting

Cycle	Temp.	Spin	Soil	Soak	Stain Care	Cold Wash	Extra Rinse	Water Plus	Turbo Wash™	Steam
Towels		Extra High	Heavy							
	Hot	High								
	Warm	Medium	Normal	●	●	●	●	●	●	
	Cold	Low								
	Tap Cold	No Spin	Light							
Speed Wash		Extra High	Heavy							
		High								
	Warm	Medium	Normal	●			●	●	●	
	Cold	Low								
	Tap Cold	No Spin	Light							
Waterproof			Heavy							
	Warm		Normal				●	●		
	Cold	Low								
	Tap Cold	No Spin	Light							
Downloaded Default: Small Load	Extra Hot	Extra High	Heavy							
	Hot	High								
	Warm	Medium	Normal	●	●	●	●	●	●	●
	Cold	Low								
	Tap Cold	No Spin	Light							

● = available option, ■ = default setting

Cycle Modifier Buttons

Each cycle has default settings that are selected automatically. You may also customize these settings using the cycle modifier buttons. Press the button for the desired modifier until the indicator light for the desired setting is lit. The washer automatically adjusts the water level for the type and size of wash load for best results and maximum efficiency. Due to the high-efficiency nature of this product, water levels may be much lower than expected. This is normal and cleaning/rinsing performance will not be compromised.

NOTE

- To protect your garments, not every wash temperature, spin speed, soil level, or option is available with every cycle. A chime will sound and the LED will not light if a selection is not allowed.

Extra Hot	Extra High	Heavy	Remote
Hot	High	▲	Add Garments
Warm	Medium	Normal	Rinse+Spin
Cold	Low	▲	Stain Care
Tap Cold	No Spin	Light	Soak
Temp.	Spin *Spin Only	Soil	Special Care

Temp.

Temp. selects the wash and rinse temperature combination for the selected cycle.

- Press the **Temp.** button until the indicator light for the desired setting is lit.
- All rinses use tap cold water.

NOTE

- Select the water temperature suitable for the type of load you are washing. Follow the fabric care labels on the garment for best results.

Spin

Higher spin speeds extract more water from clothes, reducing drying time and saving energy.

- Press the **Spin** button until the desired speed is selected.
- Some fabrics, such as delicates, require a slower spin speed. To protect your clothing, not all spin speeds are available for all cycles.

Spin Only

Use this option to drain the water from the tub and spin out the clothes. This can be used, for example, if the wash cycle is interrupted by a power failure. The spin speed can be adjusted by using the **Spin** button.

- Press the **Power** button to turn on the washer.
- Press and hold the **Spin** button for 3 seconds.
- Press the Spin button to select the desired spin speed. Selecting **No Spin** is not allowed.
- Press the **Start/Pause** button.

Soil

Adjusting the soil level setting will modify the cycle times and/or wash actions.

- Press the **Soil** button until the desired soil level is selected.

NOTE

- This feature needs more time for heavily soiled loads or less time for lightly soiled loads.

Special Care

Press the **Special Care** button to select additional features, such as **Soak**, **Stain Care**, and **Rinse+Spin**.

- Pressing the **Special Care** button before selecting a cycle will automatically default to the **Normal** cycle with the **Soak** feature selected.

Special Care Features

Press the **Special Care** button to select specialized cycles or add features to standard cycles. Press the button repeatedly to move through the available features.

NOTE

- To protect your garments, not every feature is available with every cycle.
- If the **Start/Pause** button is not pressed within 60 minutes to start the cycle, the washer will shut off and all settings will be lost.

Soak

This option provides a 30-minute presoak prior to the start of the selected cycle. Use the **Soak** option to presoak garments to help remove difficult spots or stains on fabrics. At the end of the presoak time, the selected cycle will begin with the same water used for the soak.

NOTE

- You cannot select the **Soak** option for the **Tub Clean** cycle.

Stain Care

Use this option for heavily soiled loads that need improved stain treatment. When **Stain Care** is selected, the wash cycle will begin with warm water to help prevent the setting of certain types of stains. Then, as the cycle progresses, hot water will be added to gradually increase the water temperature to help remove stains that require treatment at higher temperatures.

NOTE

- Best results are obtained with smaller loads (less than 6 lb.)
- If you select **Stain Care**, the **Cold Wash** option is not available.

Rinse+Spin

Select this option to rinse and spin a load separately from a regular cycle. This can be helpful in preventing fresh stains from setting in fabrics. You can change the spin speed by pressing the **Spin** button.

- 1 Press the **Power** button to turn on the washer.

- 2 Press the **Special Care** button repeatedly until **Rinse+Spin** is selected.

- 3 Press the **Start/Pause** button.

Special Drain Feature

This washer is equipped with a special drain feature that is designed to make your washer as safe as possible. If the washer is paused or shut off while there is still water in the tub, the water will drain automatically after several minutes of inactivity. This helps keep children safe by reducing the possibility of water remaining in the tub.

Any water remaining in the tub will automatically drain 4 minutes after the washer has shut off. If the washer is paused and the **Start/Pause** button is not pressed within 60 minutes, the washer will shut off and all cycle settings will be lost. And any water remaining in the tub will be drained.

The washer can be turned on or restarted any time before the drain begins. However, once the washer begins to drain, all controls and functions will be disabled until the water has been completely drained and the washer shuts off.

Add Garments

- If you've forgotten to add an item or need to remove foreign objects like coins or keys after the cycle has started, the best time to do so is while the **Add Garments** indicator is on. Once the indicator turns off, adding garments may affect the cycle time or wash performance.

- 1 Press **Start/Pause**. The cycle pauses and the lid (door) unlocks.

- 2 Open the lid (door), add garments or remove foreign objects, and close the lid (door).

- 3 Press the **Start/Pause** button to start the cycle. The cycle continues automatically.

Option Buttons

Your washer features several additional cycle options that customize cycles to meet your individual needs. To use these options, select the desired option after selecting the desired cycle.

After selecting the desired cycle and settings, press the cycle option button(s) for the option(s) you would like to add. The button will light when that option is selected. If the selected option is not allowed for the selected cycle, the chime will sound twice to alert you and the LED will not illuminate.

NOTE

- To protect your garments, not every feature is available with every cycle.

Steam

Adding the **Steam** option to a wash cycle helps provide superior cleaning performance. By using hot steam, the fabrics will get the cleaning benefits of a very hot wash.

WARNING

- Do not touch the lid during **Steam** cycles. The lid surface can become very hot. Allow the lid lock to release before opening the door.
- Do not attempt to override the lid lock mechanism or reach into the washer during a **Steam** cycle. Steam can cause severe burns.

NOTE

- The **Steam** option cannot be used with all cycles.
- The **Steam** option is automatically deselected if **Turbo Wash™** is selected for the **Normal**, **Heavy Duty**, **Sanitary**, and **Bright Whites™** cycles.
- Steam may not be clearly visible during the **Steam** cycles. This is normal. Too much steam could damage clothing.
- Do not use **Steam** with delicate fabrics such as wool, silk, or easily discolored fabrics.

Cold Wash

This option saves energy by using cooler water while increasing the wash and rinse times to maintain wash performance.

NOTE

- Wash time will increase up to several minutes with this option.
- For best wash results, only wash small loads (less than 8 lb.) with this option.

Delay Wash

Once you have selected the cycle and other settings, press this button to delay the start of the wash cycle.

Each press of the button increases the delay time by 1 hour, for up to 19 hours. Once the desired delay time is set, press the Start/Pause button to start the delay time.

NOTE

- If the **Start/Pause** button is not pressed to begin the delay time, the washer will automatically shut off after 60 minutes and all cycle settings will be lost.

Signal

The washing machine plays a melody when the wash cycle has finished. The volume of the melody is adjusted using the **Signal** button.

- Press the **Signal** button repeatedly to adjust the volume of the signal.
- The signal can be turned On or Off. When the LED on the button turns off, the signal is off. The signal volume can be adjusted at any time as long as the washer is turned on.

Turbo Wash™

Adding the **Turbo Wash™** option to a cycle reduces the length of the cycle while maintaining a similar wash performance.

NOTE

- The **Turbo Wash™** option cannot be used with all cycles.
- **Turbo Wash™** defaults On for **Normal**, **Pre Wash+Normal** and **Speed Wash** cycles. but, the **Turbo Wash™** option can not turn off in normal cycle only.

Water Plus

Use this option to add extra water to the wash cycle for better wash performance (stain treatment) with large or bulky items.

NOTE

- If the washer reaches its maximum water level, the **Water Plus** button will have no effect.
- To add more water while a cycle is running, pause the cycle before pressing **Water Plus**.
- Selecting the **Water Plus** option with the **Normal** cycle automatically changes the cycle to the **Deep Wash** cycle.

Extra Rinse

This option will add an extra rinse to the selected cycle. Use this option to help ensure the removal of detergent or bleach residue from fabrics. Liquid fabric softener, if used, is always dispensed in the final rinse.

- Pressing the **Extra Rinse** button twice will add two additional rinses to the cycle.

NOTE

- You cannot select the **Extra Rinse** option with the **Spin Only** option and **Tub Clean** cycle.
- Selecting the **Extra Rinse** option with the **Normal** cycle automatically changes the cycle to the **Deep Wash** cycle.

Tub Clean

Use this cycle to clean the tub of your washing machine. See the Maintenance section.

Control Lock

Use this option to disable the controls. This feature can prevent children from changing cycles or operating the machine. The feature does not lock the lid (door). Once the **Control Lock** is set, it must be deactivated before any controls, except the **Power** button, can be used. Once the washer has shut off, the **Power** button will allow the machine to be turned on, but the controls will still be locked. When the controls are locked, will display alternately with the estimated time remaining.

- Press and hold the **Tub Clean** button for 3 seconds to activate or deactivate **Control Lock**.

NOTE



- Once the controls are locked, they must be manually unlocked to restore operation.

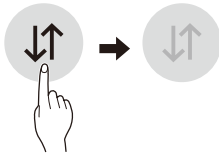
SMART FUNCTIONS

LG SmartThinQ Application (For the product that contains the wireless LAN module)

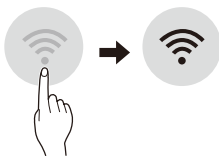
The LG SmartThinQ application allows you to communicate with the appliance using a smartphone.

Before Using LG SmartThinQ


- For appliances with the  or  logo
- 1 Use a smartphone to check the strength of the wireless router (Wi-Fi network) near the appliance.
 - If the distance between the appliance and the wireless router is too far, the signal strength becomes weak. It may take a long time to register or installation may fail.
 - 2 Turn off the **Mobile data** or **Cellular Data** on your smartphone.



- 3 Connect your smartphone to the wireless router.



NOTE

- To verify the Wi-Fi connection, check that **Wi-Fi**  icon on the control panel is lit.
 - The appliance supports 2.4 GHz Wi-Fi networks only. To check your network frequency, contact your Internet service provider or refer to your wireless router manual.
 - LG SmartThinQ is not responsible for any network connection problems or any faults, malfunctions, or errors caused by network connection.
 - The surrounding wireless environment can make the wireless network service run slowly.
- If the appliance is having trouble connecting to the Wi-Fi network, it may be too far from the router. Purchase a Wi-Fi repeater (range extender) to improve the Wi-Fi signal strength.
 - The network connection may not work properly depending on the Internet service provider.
 - The Wi-Fi connection may not connect or may be interrupted because of the home network environment.
 - If the appliance cannot be registered due to problems with the wireless signal transmission, unplug the appliance and wait about a minute before trying again.
 - If the firewall on your wireless router is enabled, disable the firewall or add an exception to it.
 - The wireless network name (SSID) should be a combination of English letters and numbers. (Do not use special characters.)
 - Smartphone user interface (UI) may vary depending on the mobile operating system (OS) and the manufacturer.
 - If the security protocol of the router is set to **WEP**, network setup may fail. Change the security protocol (**WPA2** is recommended), and register the product again.

Installing the LG SmartThinQ Application

Search for the **LG SmartThinQ** application from the Google Play Store or Apple App Store on a smart phone. Follow instructions to download and install the application.

LG SmartThinQ Application Features

- For appliances with the  or  logo

Washer Cycle (Remote Start, Downloaded)

Set or download any preferred cycle and operate by remote control.

Tub Clean Coach

This function shows how many cycles remain before it is time to run the **Tub Clean** cycle.

Smart Diagnosis™

This function provides useful information for diagnosing and solving issues with the appliance based on the pattern of use.

Energy Monitoring

The washer energy usage is affected by the cycles and options so you may see some changes in energy usage from one cycle to another.

Push Alerts

When the cycle is complete or the appliance has problems, you have the option of receiving push notifications on a smart phone.

Settings

Set the product nickname and delete product.

NOTE

- If you change your wireless router, Internet service provider, or password, delete the registered appliance from the **LG SmartThinQ** application and register it again.
- This information is current at the time of publication. The application is subject to change for product improvement purposes without notice to users.

Using Washer Cycle

Remote Start

Use a smart phone to control the appliance remotely or check to see how much time is left in the cycle.

Using Remote Start

- 1 Press the **Power** button.
- 2 Load the laundry.
- 3 Press and hold **Remote Start** button for 3 seconds to enable the Remote Start function.
- 4 Start a cycle from the **LG SmartThinQ** application on your smart phone.

NOTE

- Once the **Remote Start** mode is enabled, you can start a cycle from the **LG SmartThinQ** smartphone application. If the cycle is not started, the machine will wait to start the cycle until it is turned off remotely from the application or the **Remote Start** mode is disabled.
- When **Remote Start** is turned on, the door is automatically locked.

Disabling Remote Start

When the Remote Start is activated, press and hold the **Remote Start** button for 3 seconds.

Downloaded

Download new and specialized cycles that are not included in the standard cycles on the appliance.

Appliances that have been successfully registered can download a variety of specialty cycles specific to the appliance.

Only one cycle can be stored on the appliance at a time.

Once cycle download is completed in the appliance, the appliance keeps the downloaded cycle until a new cycle is downloaded.

Wireless LAN Module Specifications

Model	LCW-004
Frequency Range	2412 - 2462 MHz
Output Power (Max)	< 30 dBm

Industry Canada Statement (For transmitter module contained in this product)

This device contains licence-exempt transmitter(s)/ receiver(s) that comply with Innovation, Science and Economic Development Canada's licence-exempt RSS(s). Operation is subject to the following two conditions:

- (1) This device may not cause interference.
- (2) This device must accept any interference, including interference that may cause undesired operation of the device.

IC Radiation Exposure Statement

This equipment complies with IC radiation exposure limits set forth for an uncontrolled environment.

This equipment should be installed and operated with a minimum distance of 20 cm (7.8 inches) between the antenna and your body.

NOTE

- THE MANUFACTURER IS NOT RESPONSIBLE FOR ANY RADIO OR TV INTERFERENCE CAUSED BY UNAUTHORIZED MODIFICATIONS TO THIS EQUIPMENT. SUCH MODIFICATIONS COULD VOID THE USER'S AUTHORITY TO OPERATE THE EQUIPMENT.

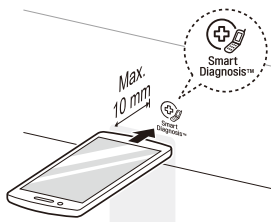
Open Source Software Notice Information

To obtain the source code under GPL, LGPL, MPL, and other open source licenses, that is contained in this product, please visit <http://opensource.lge.com>. In addition to the source code, all referred license terms, warranty disclaimers and copyright notices are available for download.

LG Electronics will also provide open source code to you on CD-ROM for a charge covering the cost of performing such distribution (such as the cost of media, shipping, and handling) upon email request to opensource@lge.com. This offer is valid for a period of three years after our last shipment of this product. This offer is valid to anyone in receipt of this information.

Smart Diagnosis™ Function

Should you experience any problems with the appliance, it has the capability of transmitting data via your telephone to the LG Customer Information Center. NFC or Wi-Fi equipped models can also transmit data to a smartphone using the **LG SmartThinQ** application.



Smart Diagnosis™ through the Customer Information Center

- For appliances with the  or  logo

This method allows you to speak directly to our trained specialists. The specialist records the data transmitted from the appliance and uses it to analyze the issue, providing a fast and effective diagnosis.



- 1 Call the LG Electronics Customer Information Center at:
 - (LG U.S.A.) 1-800-243-0000
 - (LG Canada) 1-888-542-2623
- 2 When instructed to do so by the call center, place the mouthpiece of the phone close to the **Smart Diagnosis™** icon. Do not press any other buttons.
- 3 Press and hold **Temp.** button for three seconds.
- 4 Keep the phone in place until the tone transmission has finished.
 - For best results, do not move the phone while the tones are being transmitted.
 - If the call center agent is not able to get an accurate recording of the data, you may be asked to try again.

- 5 Once the countdown is over and the tones have stopped, resume your conversation with the call center agent, who will then be able to assist you using the information transmitted for analysis.

NOTE

- **Smart Diagnosis™** cannot be activated unless the appliance can be turned on using the **Power** button. If the appliance cannot be turned on, troubleshooting must be done without using **Smart Diagnosis™**.
- For best results, do not move the phone while the tones are being transmitted.
- If the call center agent is not able to get an accurate recording of the data, you may be asked to try again.
- The **Smart Diagnosis™** function depends on the local call quality.
- Bad call quality may result in poor data transmission from your phone to the call center, which could cause **Smart Diagnosis™** to malfunction.

LG SmartThinQ Smart Diagnosis™

- For appliances with the  or  logo
- Use the Smart Diagnosis feature in the **LG SmartThinQ** application for help diagnosing issues with the appliance without the assistance of the LG Customer Information Center.

Follow the instructions in the **LG SmartThinQ** application to perform a Smart Diagnosis using your smartphone.

NOTE

- **Smart Diagnosis™** cannot be activated unless the appliance can be turned on using the **Power** button. If the appliance cannot be turned on, troubleshooting must be done without using **Smart Diagnosis™**.

MAINTENANCE

WARNING

To reduce the risk of fire, electric shock, or injury to persons, read this entire owner's manual, including the Important Safety Instructions, before operating this washer.

- Unplug the washer before cleaning to avoid the risk of electric shock. Failure to follow this warning can cause serious injury, fire, electric shock, or death.
- Do not use volatile substances (benzene, paint thinner, alcohol, acetone, etc.), abrasive cleaners, or detergents with strong chemical components when cleaning the washer. Doing so may cause discoloration or damage to the machine, or may cause a fire.
- Certain internal parts are intentionally not grounded and may present a risk of electric shock only during servicing. Service personnel-do not contact the following parts while the appliance is energized. : pump, motor, noise filter cover, and heater (on applicable models).

Regular Cleaning

Care After Wash

After the cycle is finished, wipe the lid (door) and the inside of the lid (door) seal to remove any moisture.

- Leave the lid (door) open to dry the tub interior.
- Wipe the body of the washer with a dry cloth to remove any moisture.

Cleaning the Exterior

Proper care of your washer can extend its life.

Lid (Door):

Wash with a damp cloth on the outside and inside and then dry with a soft cloth.

Exterior:

- Immediately wipe off any spills.
- Wipe with a damp cloth.
- Do not touch the surface or the display with sharp objects.

Care and Cleaning of the Interior

- Use a towel or soft cloth to wipe around the washer lid (door) opening and lid (door) glass.
- Always remove items from the washer as soon as the cycle is complete. Leaving damp items in the washer can cause wrinkling, color transfer, and odor.
- Run the Tub Clean cycle once a month, or more often if needed, to remove detergent buildup and other residue.

Cleaning the Tub

Over time, residue may build up in the tub, leading to mildew or a musty odor. Run the **Tub Clean** cycle monthly to remove residue and prevent odor. Run the cycle more often under heavy use conditions or if odor is already present.

- 1 Remove any clothing from the tub.
- 2 Add cleaning agents.

Cleaner	Instructions
Tub cleaner	Follow manufacturer's recommendations.
Lime scale remover	
Liquid chlorine bleach	Add to main wash liquid detergent dispenser.
Powdered cleaner	Follow manufacturer's recommendations.
Cleaning tablets	Place directly into washer tub.

- For other tub cleaning products, follow the cleaner manufacturer's instructions and recommendations.
 - Do not exceed the maximum fill line when adding bleach or powdered cleaners. Powdered cleaners may remain in the tub after cleaning.
- 3 Close the lid (door) and press the **Power** button to turn the washer on.
 - 4 Turn the knob or press the cycle buttons to select the **Tub Clean** cycle then press the **Start/Pause** button to begin the cycle.
 - 5 After the cycle ends, open the lid (door) and allow the tub interior to dry completely.

NOTE

- Never load laundry while using **Tub Clean**. The laundry may be damaged or contaminated with cleaning products. Make sure to run the **Tub Clean** cycle only when the tub is empty.
- Leave the lid (door) open after finishing the laundry, to keep the tub clean.
- **Tub Clean** should be repeated monthly.
- If mildew or musty smell already exists, run **Tub Clean** once a week for three consecutive weeks.
- Do not exceed the manufacturer's recommended amount when adding bleach or powdered cleaners. Powdered cleaner may remain in the tub after cleaning.

Removing Mineral Buildup

In areas with hard water, mineral scale can form on internal components of the washer. Periodically clean the mineral buildup on the internal components to extend the lifespan of the washer. Use of a water softener is recommended in areas with hard water.

- Use a descaler, to remove visible mineral buildup on the washer tub.
- After descaling, always run the **Tub Clean** cycle before washing clothing.
- Mineral scale and other spots may be removed from the stainless steel tub using a soft cloth soaked in stainless steel cleaner.
- Do not use steel wool or abrasive cleaners.

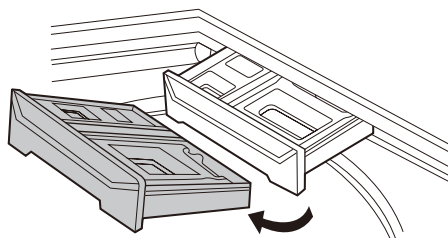
Leaving the Lid (Door) Open

- If the washer will not be used for several days, leave the lid (door) open overnight to allow the tub to dry.

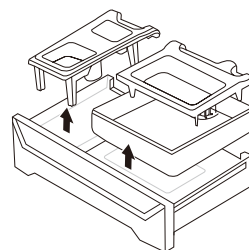
Cleaning the Dispenser Drawer

Detergent and fabric softener may build up in the dispenser drawer. Remove the drawer and inserts and check for buildup once or twice a month.

- 1 Remove the drawer by pulling it straight out until it stops. Lift up on the front of the drawer and pull it completely out.



- 2 Remove the inserts from the two compartments.



- 3 Clean the inserts and drawer with warm water.
 - Use a soft cloth or brush for cleaning and to remove any residue.

! WARNING

- Do not spray water inside the washer. Doing so may cause fire or electric shock.

- 4 Wipe off any moisture with a dry towel or cloth after cleaning.
- 5 To clean the drawer opening, use a small, non-metal brush to clean the recess. Remove all residue from the upper and lower parts of the recess.
- 6 Return the inserts to the proper compartments and replace the drawer.
 - Set the drawer into the opening at an angle, then lower it and slide it into place.

NOTE

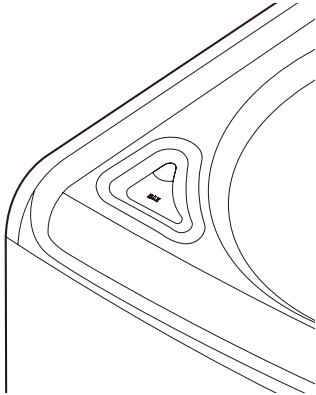
- If you use a descaler or tub cleaner during the **Tub Clean** cycle, use the **Rinse+Spin** option to rinse the washer tub before running your next wash cycle.

Cleaning the Bleach Dispenser

Bleach may build up on the bleach dispenser cover. Check for buildup and clean the cover once or twice a month.

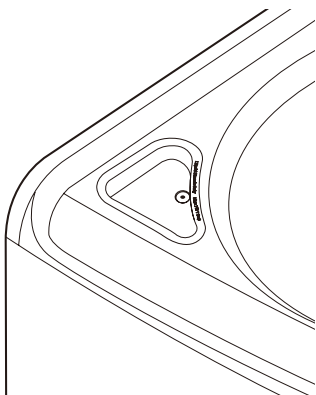
Type 1

Remove the cover from the bleach dispenser. Clean the cover and the opening with warm water.



Type 2

The cover cannot be separated from the dispenser. Clean the cover using a brush and warm water.



Cleaning the Water Inlet Filters

If the washer does not fill properly, an error message will show on the display. The inlet valve filter screens could be plugged by hard water scale, sediment in the water supply, or other debris.

⚠ CAUTION

- The inlet screens protect the delicate parts of the inlet valve from being damaged by particles that could enter the valves with the water supply. Operating the washer with these filters removed could cause a valve to stick open resulting in flooding and/or property damage.
- Do not use the washer without the inlet filters. If you use the washer without the inlet filters it will cause leaks and malfunction.
- If you use the washer in an area with hard water, the inlet filter may clog due to lime buildup.

- 1 Turn off both water faucets completely.
- 2 Unscrew the hot and cold water hoses from the back of the washer.
- 3 Carefully remove the filters from the water valves.
- 4 Remove foreign objects and soak the filters in white vinegar or a lime scale remover.
 - If using a lime scale remover, follow the manufacturer's instructions. Be careful not to damage the filters while cleaning them.
- 5 Rinse filters thoroughly and press them back into place.
- 6 Flush then reattach the water hoses.
 - Before reattaching the hoses, flush the hoses and water lines by running several gallons of water into a bucket or drain, preferably with the faucets wide open for maximum flow.

NOTE

- An **i E** message may blink on the display when the water pressure is low or an inlet filter is clogged with dirt. Clean the inlet filter.

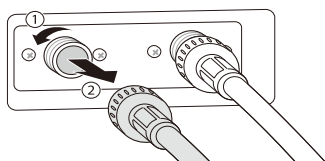
Care in Cold Climates

Storing the Washer

If the washer will not be used for an extended period of time and is in an area that could be exposed to freezing temperatures, perform the following steps to protect the washer from damage.

Make sure the tub is empty before following these steps.

- 1 Turn off the water supply.
- 2 Disconnect hoses from water supply and drain water from hoses.



- 3 Plug the power cord into a properly grounded electrical outlet.
- 4 Add 1 gallon of nontoxic recreational vehicle (RV) antifreeze to the empty tub and close the lid (door). Never use automotive antifreeze.
- 5 Press the **Power** button, then select **Spin**.
- 6 Press the **Start/Pause** button to start the drain pump.
- 7 Allow the drain pump to run for one minute, then press the **Power** button to shut off the washer. This will expel some of the antifreeze, leaving enough to protect the washer from damage.
- 8 Unplug the power cord, dry the tub interior with a soft cloth, and close the lid (door).
- 9 Store the washer in an upright position.
- 10 Remove the inserts from the dispenser. Drain any water in the compartments and let them dry.
- 11 To remove the antifreeze from the washer after storage, run a complete **Speed Wash** cycle using detergent.
 - Do not add laundry to this cycle.

When the Water Line is Frozen

- 1 Turn off the faucets connected with the water lines.
- 2 Pour hot water on the frozen faucets to thaw the water lines and remove water lines.
- 3 Immerse the water lines in hot water to thaw them.
- 4 Connect the water lines with the water inlets of the washer and with the faucets.
- 5 See **Connecting the Water Lines** for details.
- 6 Turn on the faucets.
- 7 Press the **Power** button.
- 8 Press **Special Care** button repeatedly to select the **Rinse+Spin** cycle.
- 9 Press the **Start/Pause** button. Verify the water fills properly.

When the Drain Line is Frozen

- 1 Pour hot water in the washer tub and close the lid. Wait for 1-2 hours.
- 2 Press the **Power** button after thawing.
- 3 Press **Special Care** button repeatedly to select the **Rinse+Spin** cycle.
- 4 Press the **Start/Pause** button. Check to make sure the water drains.

TROUBLESHOOTING

Before Calling for Service

The washer is equipped with an automatic error-monitoring system to detect and diagnose problems at an early stage. If the washer does not function properly or does not function at all, check the following before you call for service.

Error Codes

Problem	Possible Cause & Solutions
UE	<p>If the balance is not successful, this error will be displayed.</p> <ul style="list-style-type: none"> The automatic attempt to rebalance the load was not successful. The cycle has been paused to allow the load to be manually adjusted.
	<p>The load is too small.</p> <ul style="list-style-type: none"> Small loads may need additional items to be added to allow the washer to balance the load.
	<p>Heavy articles are mixed with lighter items.</p> <ul style="list-style-type: none"> The load may have heavy items loaded with lighter items. Always try to wash articles of somewhat similar weight to allow the washer to evenly distribute the weight of the load for spinning.
	<p>The load is out of balance.</p> <ul style="list-style-type: none"> Manually redistribute the load if articles have become tangled preventing the automatic rebalancing from working properly.
IE	<p>Water supply faucets are not fully open.</p> <ul style="list-style-type: none"> Make sure that the water faucets are fully open.
	<p>Water line hoses are kinked, pinched, or crushed.</p> <ul style="list-style-type: none"> Make sure that the hoses are not kinked or pinched. Be careful when moving the washer.
	<p>Water inlet filters are clogged.</p> <ul style="list-style-type: none"> Clean the inlet filters. See MAINTENANCE section.
	<p>Water supply pressure to faucet or house is too low.</p> <ul style="list-style-type: none"> Check another faucet in the house to make sure that household water pressure is adequate and flow is not restricted. Disconnect the inlet hose from the washer and run a few gallons of water through the hose to flush the water supply lines. If flow is too low, contact a plumber to have the water lines repaired.
	<p>Water supply connected with leak-limiting hoses.</p> <ul style="list-style-type: none"> Hoses designed to limit leaks can trip falsely and prevent the washer from filling. The use of leak limiting hoses is not recommended.
DE	<p>Drain hose is kinked, pinched, or clogged.</p> <ul style="list-style-type: none"> Make sure the drain hose is free of clogs or kinks and is not pinched behind or under the washer.
	<p>Drain discharge is more than 96 inches (2.4 m) above bottom of washer.</p> <ul style="list-style-type: none"> Move the end of the drain hose so it's lower than 96 inches (2.4 m) above the bottom of the washer.

Problem	Possible Cause & Solutions
E _L	<p>The Control Lock function is on to prevent anyone from changing cycles or operating the appliance.</p> <ul style="list-style-type: none"> • Turn off Control Lock in the control panel. See Control Lock under Option Buttons.
d _r	<p>Special drain feature</p> <ul style="list-style-type: none"> • If the washer is paused during a cycle for more than 4 minutes, the cycle will be cancelled and any water remaining in the tub will be drained. • This is not an error code. It indicates that the drain function is operating.
d _E	<p>Lid (Door) is not closed properly.</p> <ul style="list-style-type: none"> • Close the lid (door) and press Start/Pause button. After starting a cycle, it may take a few moments before the tub begins to turn or spin. The washer will not spin unless the lid (door) is locked. • If the error persists once the lid (door) is closed and the Start/Pause button is pressed, call for service.
d _L	<p>Lid (Door) lock switch error.</p> <ul style="list-style-type: none"> • Make sure that the lid (door) is closed properly and press the Start/Pause button. The washer will not operate unless the lid (door) is locked. • Make sure that nothing is caught under the lid (door), including shipping material or clothing. • Make sure that the latch mechanism is fully retracted. • If the lid (door) is closed and the lid (door) lock error message is displayed, call for service.
LE ₁	<p>Foreign objects such as coins, pins, clips, etc., caught between the wash plate and the inner basket.</p> <ul style="list-style-type: none"> • Turn the washer off then on again. Press the Spin button without selecting a cycle to drain and spin the load. • When the Spin cycle is complete, empty the tub and find and remove any objects caught in the wash plate. • Always check pockets, etc., before washing to prevent error codes or damage to the washer or clothing.
E _{cL}	<p>It is time to run the Tub Clean cycle.</p> <ul style="list-style-type: none"> • Run the Tub Clean cycle.
u _b	<p>The washer has detected an out of balance load.</p> <ul style="list-style-type: none"> • If the washer detects a load that is too far out of balance to spin, it will display this code while it is attempting to rebalance the load. The washer will add water and try to redistribute the load automatically. This display is for your information only, and no action is required. • As a result, the cycle will take longer than initially estimated.
E _E	<p>Control error.</p> <ul style="list-style-type: none"> • Unplug the washer and wait 60 seconds. Reconnect power and try again. If the error reappears, call for service.
F _E	<p>Water level is too high due to a faulty water valve.</p> <ul style="list-style-type: none"> • Close the water faucets, unplug the washer, and call for service.
P _E	<p>The water level sensor is not working correctly.</p> <ul style="list-style-type: none"> • Close the water faucets, unplug the washer, and call for service.

Problem	Possible Cause & Solutions
LE	<p>A motor error has occurred.</p> <ul style="list-style-type: none"> Allow the washer to stand for 30 minutes and then restart the cycle. If the LE error code persists, call for service.
Eb	<p>Clutch error</p> <ul style="list-style-type: none"> Mechanical failure Unplug the washer and call for service.

Noises You Might Hear

Problem	Possible Cause & Solutions
Clicking	<p>Lid (Door) lock relays when the lid (door) locks and unlocks.</p> <ul style="list-style-type: none"> Normal Operation
Spraying or Hissing	<p>Water spraying or circulating during the cycle.</p> <ul style="list-style-type: none"> Normal Operation
Humming or Gurgling	<p>Drain pump is pumping water from the washer at times during a cycle.</p> <ul style="list-style-type: none"> Normal Operation
Water sloshing	<p>A liquid in the balance ring around the wash basket helps the basket spin smoothly.</p> <ul style="list-style-type: none"> Normal Operation
Water being added after the washer has already begun to operate	<p>The washer adapts to the load size and type to add more water to the cycle as needed.</p> <ul style="list-style-type: none"> Normal Operation
	<p>The wash load may be unbalanced. If the washer senses that the load is unbalanced, it will stop and refill to redistribute the load.</p> <ul style="list-style-type: none"> Normal Operation
	<p>The washer may be diluting laundry additives to add to the wash load.</p> <ul style="list-style-type: none"> Normal Operation
Rattling and clanking noise	<p>Foreign objects, such as keys, coins, or safety pins may be in tub or pump.</p> <ul style="list-style-type: none"> Stop washer, check tub and drain filter for foreign objects. If noise continues after washer is restarted, call for service.
Thumping sound	<p>Heavy wash loads may produce a thumping sound.</p> <ul style="list-style-type: none"> This is normal. If sound continues, washer is probably out of balance. Stop and redistribute wash load.
	<p>Wash load may be out of balance.</p> <ul style="list-style-type: none"> Pause the cycle and redistribute the load after the lid (door) unlocks.

Problem	Possible Cause & Solutions
Vibrating noise	Packaging materials were not removed. <ul style="list-style-type: none"> • See Unpacking and Removing Shipping Material in the INSTALLATION section.
	Wash load may be unevenly distributed in the drum. <ul style="list-style-type: none"> • Pause the cycle and redistribute the load after the lid (door) unlocks.
	Not all leveling feet are resting firmly and evenly on the floor. <ul style="list-style-type: none"> • See Leveling the Appliance in the INSTALLATION section.
	Floor not rigid enough. <ul style="list-style-type: none"> • Make sure that the floor is solid and does not flex. See Flooring in the INSTALLATION section.
Squeaking noise	Packaging materials were not removed. <ul style="list-style-type: none"> • See Unpacking and Removing Shipping Material in the INSTALLATION section.
Banging noise when washer is filling with water (Water Hammer)	Plumbing in the home moves or flexes when the water valves in the washer shut off. <ul style="list-style-type: none"> • Water hammer is not caused by a defect in the washer. Install water hammer arrestors (purchased separately at hardware or home improvement store) between the fill hose and the washer for best results.
	Household water supply pressure is very high. <ul style="list-style-type: none"> • Adjust household water supply regulator to a lower pressure or contact a plumber.

Operation

Problem	Possible Cause & Solutions
Water leaking	<p>Hoses are not connected correctly.</p> <ul style="list-style-type: none"> • Check hoses and connectors for leaks, cracks and splits. • Check and tighten hose connections.
	<p>House drain pipes are clogged.</p> <ul style="list-style-type: none"> • The washer pumps out water very rapidly. Check for water backing up out of the drain pipe during drain. If water is seen coming out of the drain, check for proper drain hose installation and check for restrictions in the drain. Contact a plumber to repair drain pipe.
	<p>Drain hose has come out of drain connector or is not inserted far enough.</p> <ul style="list-style-type: none"> • Tie drain hose to inlet hose or standpipe to prevent it from coming out during drain. For smaller drain pipes, insert the drain hose into the pipe as far as the drain hose flange. For larger drain pipes, insert the drain hose into the pipe 1-2 inches past the flange.
	<p>A large item such as a pillow or blanket is above the top of the tub.</p> <ul style="list-style-type: none"> • Use the Bedding cycle for large or bulky items. Use extra care and never wash more than half a load of items that float, such as pillows. • Stop the washer and check the load. Make sure the load does not crest above the top edge of the tub.
	<p>Oversudsing of detergent.</p> <ul style="list-style-type: none"> • Oversudsing may create leaks, and may be caused by the type and amount of detergent used. High-Efficiency detergent is the only detergent recommended. The normal amount of detergent to use is 1/4 to 1/2 of the maximum amount recommended by the detergent manufacturer. Always reduce the amount of detergent if the load is small or lightly soiled, or if the water is very soft. Never use more than the maximum amount recommended by the detergent manufacturer.
Water leaks every load.	<p>Hoses are not installed correctly.</p> <ul style="list-style-type: none"> • Check all fill and drain hose connections to ensure that they are tight and secure.
Excessive sudsing	<p>Too much detergent or incorrect detergent.</p> <ul style="list-style-type: none"> • HE detergents are formulated specifically for High-Efficiency washers and contain suds-reducing agents. Only use detergent with the High-Efficiency (HE) logo. • For detergent quantities refer to the Detergent Use section. If sudsing or detergent residue continue to be an issue, add an extra rinse.
Washer will not turn on.	<p>Power cord is not properly plugged in.</p> <ul style="list-style-type: none"> • Make sure that the plug is plugged securely into a grounded, 3-prong, 120-VAC, 60 Hz outlet.
	<p>House fuse is blown, circuit breaker has tripped, or power outage has occurred.</p> <ul style="list-style-type: none"> • Reset circuit breaker or replace fuse. Do not increase fuse capacity. If the problem is a circuit overload, have it corrected by a qualified electrician.
Wash cycle time is longer than usual.	<p>The washer automatically adjusts the wash time for the amount of laundry, water pressure and other operating conditions.</p> <ul style="list-style-type: none"> • This is normal. The washer adjusts cycle time automatically to provide optimal results for the selected cycle. The time remaining shown in the display is only an estimate. Actual time may vary.

Problem	Possible Cause & Solutions
Incomplete or no dispensing of detergent	<p>Detergent compartments clogged from incorrect filling.</p> <ul style="list-style-type: none"> • Make sure that detergent and additives are put into the correct dispenser compartments. For all detergent types, always make sure that the dispenser drawer is fully closed before the start of the cycle.
	<p>Too much detergent used.</p> <ul style="list-style-type: none"> • Make sure that the suggested amount of detergent is used per the manufacturer's recommendations. You may also dilute the detergent with water to the maximum fill line on the compartment to avoid clogging. Use only HE (High-Efficiency) detergent.
	<p>NOTE</p> <ul style="list-style-type: none"> • Always use as little detergent as possible. High-Efficiency washers need very little detergent to achieve optimum results. Using too much detergent will cause poor wash and rinse performance and may contribute to odors in washer.
	<p>Insufficient water supply.</p> <ul style="list-style-type: none"> • Make sure that both hot and cold water faucets are turned on all the way.
	<p>Normal residue.</p> <ul style="list-style-type: none"> • It is normal for a small amount of detergent to remain in the dispenser. If this residue builds up it can interfere with normal dispensing of products. Refer to the cleaning instructions.

Problem	Possible Cause & Solutions
Washer will not operate.	<p>Control panel has powered off due to inactivity.</p> <ul style="list-style-type: none"> • This is normal. Press the Power button to turn the washer on.
	<p>Washer is unplugged.</p> <ul style="list-style-type: none"> • Make sure cord is plugged securely into a working outlet.
	<p>Water supply is turned off.</p> <ul style="list-style-type: none"> • Turn both hot and cold faucets fully on.
	<p>Controls are not set properly.</p> <ul style="list-style-type: none"> • Make sure the cycle was set correctly, close the lid (door) and press the Start/Pause button.
	<p>Lid (Door) is open.</p> <ul style="list-style-type: none"> • The washer will not operate if the lid (door) is open. Close the lid (door) and make sure that nothing is caught under the lid (door) preventing it from closing completely.
	<p>Circuit breaker/fuse is tripped/ blown.</p> <ul style="list-style-type: none"> • Check house circuit breakers/fuses. Replace fuses or reset breaker. The washer should be on a dedicated branch circuit. The washer will resume the cycle where it stopped once power is restored.
	<p>Control needs to be reset.</p> <ul style="list-style-type: none"> • Press the Power button, then re-select the desired cycle and press the Start/Pause button.
	<p>Start/Pause was not pressed after a cycle was set.</p> <ul style="list-style-type: none"> • Press the Power button then re-select the desired cycle and press the Start/Pause button. The washer will shut off if the Start/Pause button is not pressed within 60 minutes.
	<p>Extremely low water pressure.</p> <ul style="list-style-type: none"> • Check another faucet in the house to make sure that household water pressure is adequate.
	<p>Washer is too cold.</p> <ul style="list-style-type: none"> • If the washer has been exposed to temperatures below freezing for an extended period of time, allow it to warm up before pressing the Power button. Otherwise, the display will not come on.

Problem	Possible Cause & Solutions
Washer is not filling properly.	Filter clogged. <ul style="list-style-type: none"> • Make sure the inlet filters on the fill valves are not clogged. Refer to the filter cleaning instructions.
	Inlet hoses may be kinked. <ul style="list-style-type: none"> • Check that inlet hoses are not kinked or clogged.
	Energy efficiency <ul style="list-style-type: none"> • This is a High-Efficiency (HE) washer. As a result, the water level settings for this washer may be different than for conventional washers.
	Insufficient water supply <ul style="list-style-type: none"> • Make sure that both hot and cold water faucets are turned on all the way.
	The washer lid (door) is open. <ul style="list-style-type: none"> • The washer will not operate if the lid (door) is open. Close the lid (door) and make sure that nothing is caught under the lid (door) preventing it from closing completely.
	Water level is too low. <ul style="list-style-type: none"> • The water will not normally cover the clothes. The fill level is optimized for the wash motion to achieve the best wash performance.
Water in the washer does not drain or drains slowly.	Drain hose is kinked, pinched, or clogged. <ul style="list-style-type: none"> • Make sure the drain hose is free of clogs, kinks, etc., and is not pinched behind or under the washer.
	Drain discharge is more than 96 inches (2.4 m) above bottom of washer. <ul style="list-style-type: none"> • Move the end of the drain hose so it's lower than 96 inches (2.4 m) above the bottom of the washer.
Bleach does not dispense	Bleach dispenser cover is not properly installed. <ul style="list-style-type: none"> • Make sure that the bleach cover is properly installed and snapped into place before the beginning of the cycle.
	Bleach dispenser is dirty or clogged. <ul style="list-style-type: none"> • Lift out the bleach dispenser cover and clean out the reservoir. Lint and other foreign debris that collects in the inside the dispenser may prevent proper dispensing of the bleach.
Premature dispensing of bleach	Bleach dispenser filled for future load. <ul style="list-style-type: none"> • You cannot store bleach in the dispenser for future use. The bleach will be dispensed every load.
	Overfilling the bleach dispenser. <ul style="list-style-type: none"> • Overfilling the bleach dispenser will cause the bleach to dispense immediately, which will damage the laundry or the washer. Always measure bleach, but never fill above the max line on the dispenser. A half cup of bleach is sufficient for most loads. Never use more than 1 cup of bleach.

Performance

Problem	Possible Cause & Solutions
Wrinkling	Washer not unloaded promptly. <ul style="list-style-type: none"> Always remove items from the washer as soon as the cycle is complete.
	Washer overloaded. <ul style="list-style-type: none"> The washer can be fully loaded, but the tub should not be tightly packed with items. The lid (door) of the washer should close easily.
	Hot and cold water inlet hoses are reversed. <ul style="list-style-type: none"> Hot water rinse can set wrinkles in garments. Check the inlet hose connections.
Staining	Bleach or softener dispensed too soon. <ul style="list-style-type: none"> Dispenser compartment is overfilled causing bleach or softener to dispense immediately. Always measure bleach to prevent overfilling one cup maximum. Dispenser drawer closed too quickly causing softener to dispense immediately.
	Bleach or softener was added directly to the wash load in the tub. <ul style="list-style-type: none"> Always use the dispensers to ensure that laundry products are properly dispensed at the right time in the cycle.
	Washer was not unloaded promptly. <ul style="list-style-type: none"> Always remove items from the washer as soon as possible after the cycle is complete.
	Clothes were not properly sorted. <ul style="list-style-type: none"> Always wash dark colors separately from light colors and whites to prevent discoloration. Never wash heavily soiled items with lightly soiled items.
Poor stain removal	Proper options not selected. <ul style="list-style-type: none"> Heavier soils and tougher stains may require extra cleaning power. Select the Soak or Stain Care feature to boost the cleaning power of the selected cycle.
	Previously set stains. <ul style="list-style-type: none"> Articles that have previously been washed may have stains that have been set. These stains may be difficult to remove and may require hand washing or pre-treating to aid in stain removal.
Musty or mildewy odor in washer	Incorrect or too much detergent has been used. <ul style="list-style-type: none"> Use only High-Efficiency (HE) detergent in accordance with the manufacturer's instructions.
	Inside of tub was not cleaned properly. <ul style="list-style-type: none"> Run the Tub Clean cycle regularly.

Wi-Fi (For the product that contains the wireless LAN module)

Problem	Possible Cause
Trouble connecting appliance and smartphone to Wi-Fi network	<p>The password for the Wi-Fi network was entered incorrectly.</p> <ul style="list-style-type: none"> • Delete your home Wi-Fi network and begin the registration process again.
	<p>Mobile data for your smartphone is turned on.</p> <ul style="list-style-type: none"> • Turn off the Mobile data on your smartphone before registering the appliance.
	<p>The wireless network name (SSID) is set incorrectly.</p> <ul style="list-style-type: none"> • The wireless network name (SSID) should be a combination of English letters and numbers. (Do not use special characters.)
	<p>The router frequency is not 2.4 GHz.</p> <ul style="list-style-type: none"> • Only a 2.4 GHz router frequency is supported. Set the wireless router to 2.4 GHz and connect the appliance to the wireless router. To check the router frequency, check with your Internet service provider or the router manufacturer.
	<p>The distance between the appliance and the router is too far.</p> <ul style="list-style-type: none"> • If the appliance is too far from the router, the signal may be weak and the connection may not be configured correctly. Move the router closer to the appliance or purchase and install a Wi-Fi repeater.

LIMITED WARRANTY

FOR CANADA

ARBITRATION NOTICE: THIS LIMITED WARRANTY CONTAINS AN ARBITRATION PROVISION THAT REQUIRES YOU AND LG TO RESOLVE DISPUTES BY BINDING ARBITRATION INSTEAD OF IN COURT, UNLESS THE LAWS OF YOUR PROVINCE OR TERRITORY DO NOT PERMIT THAT, OR, IN OTHER JURISDICTIONS, IF YOU CHOOSE TO OPT OUT. IN ARBITRATION, CLASS ACTIONS AND JURY TRIALS ARE NOT PERMITTED. PLEASE SEE THE SECTION TITLED "PROCEDURE FOR RESOLVING DISPUTES" BELOW.

Should your LG Washer ("Product") fail due to a defect in material or workmanship under normal home use during the warranty period set forth below, LG Canada will at its option repair or replace the product upon receipt of proof of original retail purchase. This warranty is valid only to the original retail purchaser of the product and applies only to a product distributed in Canada by LG Canada or an authorized Canadian distributor thereof. The warranty only applies to Products located and used within Canada. Coverage for "in Home" repairs, for products in-warranty, will be provided if the Product is within a 150 km radius from the nearest authorized service center (ASC), as determined by LG Canada. If your Product is located outside a 150 km radius from a ASC, as determined by LG Canada, it will be your responsibility to bring the Product, at your sole expense, to the ASC for in-warranty repair.

WARRANTY PERIOD : (Note : If the original date of purchase can not be verified, the warranty will begin sixty(60) days from the date of manufacture).			
Period	One (1) year from the date of original retail purchase	Ten (10) years from the date of original retail purchase	Three (3) years from the date of original retail purchase
Scope of Warranty	Parts and Labor (internal/functional parts only)	DD Motor (Stator and Rotor)	Stainless Steel Drum
Remark	LG will provide parts & labor to repair or replace defective parts.	Extended Component Warranty (Parts Only) (Consumer will be charged for Labor after one (1) year from the date of purchase)	

- Replacement products and parts are warranted for the remaining portion of the original warranty period or ninety (90) days, whichever is greater.
- Replacement products and parts may be new or remanufactured.
- Proof of original retail purchase specifying the Product model and date of purchase is required to obtain warranty service under this Limited Warranty.

LG CANADA'S SOLE LIABILITY IS LIMITED TO THE WARRANTY SET OUT ABOVE. EXCEPT AS EXPRESSLY PROVIDED ABOVE, LG CANADA MAKES NO AND HEREBY DISCLAIMS ALL OTHER WARRANTIES AND CONDITIONS RESPECTING THE PRODUCT, WHETHER EXPRESS OR IMPLIED, INCLUDING, BUT NOT LIMITED TO, ANY IMPLIED WARRANTY OR CONDITION OF MERCHANTABILITY OR FITNESS FOR A PARTICULAR PURPOSE, AND NO REPRESENTATIONS SHALL BE BINDING ON LG CANADA. LG CANADA DOES NOT AUTHORIZE ANY PERSON TO CREATE OR ASSUME FOR IT ANY OTHER WARRANTY OBLIGATION OR LIABILITY IN CONNECTION WITH THE PRODUCT. TO THE EXTENT THAT ANY WARRANTY OR CONDITION IS IMPLIED BY LAW, IT IS LIMITED TO THE EXPRESS WARRANTY PERIOD ABOVE. LG CANADA, THE MANUFACTURER OR DISTRIBUTOR SHALL NOT BE LIABLE FOR ANY INCIDENTAL, CONSEQUENTIAL, SPECIAL, DIRECT OR INDIRECT DAMAGES, LOSS OF GOODWILL, LOST PROFITS, PUNITIVE OR EXEMPLARY DAMAGES OR ANY OTHER DAMAGE, WHETHER ARISING DIRECTLY OR INDIRECTLY FROM ANY CONTRACTUAL BREACH, FUNDAMENTAL OR OTHERWISE, OR FROM ANY ACTS OR OMISSIONS, TORT, OR OTHERWISE.

This warranty gives you specific legal rights. You may have other rights which may vary from province to province depending on applicable provincial laws. Any term of this warranty that negates or varies any implied condition or warranty under provincial law is severable where it conflicts with provincial law without affecting the remainder of this warranty's terms.

THIS LIMITED WARRANTY DOES NOT COVER:

- Service trips to deliver, pick up, or install the product; instructing a customer on operation of the product; repair or replacement of fuses or correction of wiring or plumbing, or correction of unauthorized repairs/ installation.
- Failure of the product to perform during power failures and interrupted or inadequate electrical service.
- Damage caused by leaky or broken water pipes, frozen water pipes, restricted drain lines, inadequate or interrupted water supply or inadequate supply of air.
- Damage resulting from operating the Product in a corrosive atmosphere or contrary to the instructions outlined in the Product owner's manual.
- Damage to the Product caused by accidents, pests and vermin, lightning, wind, fire, floods, or acts of God.
- Damage or product failure caused by unauthorized modification or alteration, or use for other than its intended purpose, or resulting from any water leakage due to improper installation.
- Damage or Product failure caused by incorrect electrical current, voltage, or plumbing codes, commercial or industrial use, or use of accessories, components, or cleaning products that are not approved by LG Canada.
- Damage caused by transportation and handling, including scratches, dents, chips, and/or other damage to the finish of your product, unless such damage results from defects in materials or workmanship and is reported within one (1) week of delivery.
- Damage or missing items to any display, open box, discounted, or refurbished Product.
- Products with original serial numbers that have been removed, altered, or cannot be readily determined. Model and Serial numbers, along with original retail sales receipt, are required for warranty validation.
- Increases in utility costs and additional utility expenses.
- Replacement of light bulbs, filters, or any consumable parts.
- Repairs when your Product is used in other than normal and usual household use (including, without limitation, commercial use, in offices or recreational facilities) or contrary to the instructions outlined in the Product owner's manual.
- Costs associated with removal of the Product from your home for repairs.
- The removal and reinstallation of the Product if it is installed in an inaccessible location or is not installed in accordance with published installation instructions, including the Product owner's and installation manuals.
- Accessories to the Product such as door bins, drawers, handles, shelves, etc.. Also excluded are parts besides those that were originally included with the Product.
- Damage resulting from the misuse, abuse, improper installation, repair, or maintenance of the Product. Improper repair includes use of parts not approved or specified by LG Canada.

All costs associated with the above excluded circumstances shall be borne by the consumer.

For complete warranty details and customer assistance, please call or visit our website:

Call 1-888-542-2623 (7 A.M. to 12 A.M., 365 days a year) and select the appropriate option from the menu, or visit our website at <http://www.lg.com>.

PROCEDURE FOR RESOLVING DISPUTES:

EXCEPT WHERE PROHIBITED AT LAW, ALL DISPUTES BETWEEN YOU AND LG ARISING OUT OF OR RELATING IN ANY WAY TO THIS LIMITED WARRANTY OR THE PRODUCT SHALL BE

RESOLVED EXCLUSIVELY THROUGH BINDING ARBITRATION, AND NOT IN A COURT OF GENERAL JURISDICTION. EXCEPT WHERE PROHIBITED AT LAW, YOU AND LG BOTH IRREVOCABLY AGREE TO WAIVE THE RIGHT TO A JURY TRIAL AND TO BRING OR PARTICIPATE IN A CLASS ACTION.

Definitions. For the purposes of this section, references to “LG” mean LG Electronics Canada, Inc., its parents, subsidiaries and affiliates, and each of their officers, directors, employees, agents, beneficiaries, predecessors in interest, successors, assigns and suppliers; references to “dispute” or “claim” shall include any dispute, claim or controversy of any kind whatsoever (whether based in contract, tort, statute, regulation, ordinance, fraud, misrepresentation or any other legal or equitable theory) arising out of or relating in any way to the sale, condition or performance of the product or this Limited Warranty.

Notice of Dispute. In the event you intend to commence an arbitration proceeding, you must first notify LG in writing at least 30 days in advance of initiating the arbitration by sending a letter to LG Electronics, Canada, Inc., Attn: Legal Department- Arbitration, 20 Norelco Drive, North York, Ontario M9L 2X6. You and LG agree to engage in good faith discussions in an attempt to amicably resolve your claim. The notice must provide your name, address, and telephone number; identify the product that is the subject of the claim; and describe the nature of the claim and the relief being sought. If you and LG are unable to resolve the dispute within 30 days, either party may proceed to file a claim for arbitration.

Agreement to Binding Arbitration and Class Action Waiver. Upon failure to resolve the dispute during the 30 day period after sending written notice to LG, you and LG agree to resolve any claims between you and LG only by binding arbitration on an individual basis, unless you opt out as provided below, or you reside in a jurisdiction that prevents full application of this clause in the circumstances of the claims at issue (in which case if you are a consumer, this clause will only apply if you expressly agree to the arbitration). To the extent permitted by applicable law, any dispute between you and LG shall not be combined or consolidated with a dispute involving any other person’s or entity’s product or claim. More specifically, without limitation of the foregoing, except to the extent such a prohibition is not permitted at law, any dispute between you and LG shall not under any circumstances proceed as part of a class or representative action. Instead of arbitration, either party may bring an individual action in small claims court, but that small claims court action may not be brought on a class or representative basis except to the extent this prohibition is not permitted at law in your province or territory of jurisdiction as it relates to the claims at issue between you and LG.

Arbitration Rules and Procedures. To begin arbitration of a claim, either you or LG must make a written demand for arbitration. The arbitration will be private and confidential, and conducted on a simplified and expedited basis before a single arbitrator chosen by the parties under the provincial or territorial commercial arbitration law and rules of the province or territory of your residence. You must also send a copy of your written demand to LG at LG Electronics, Canada, Inc., Attn: Legal Department- Arbitration, 20 Norelco Drive, North York, Ontario M9L 2X6. This arbitration provision is governed by your applicable provincial or territorial commercial arbitration legislation. Judgment may be entered on the arbitrator’s award in any court of competent jurisdiction. All issues are for the arbitrator to decide, except that, issues relating to the scope and enforceability of the arbitration provision and to the arbitrability of the dispute are for the court to decide. The arbitrator is bound by the terms of this provision.

Governing Law. The law of the province or territory of your residence shall govern this Limited Warranty and any disputes between you and LG except to the extent that such law is preempted by or inconsistent with applicable federal or provincial/territorial law. Should arbitration not be permitted for any claim, action, dispute or controversy between you and LG, you and LG attorn to the exclusive jurisdiction of the courts of the province or territory of your residence for the resolution of the claim, action, dispute or controversy between you and LG.

Fees/Costs. You do not need to pay any fee to begin an arbitration. Upon receipt of your written demand for arbitration, LG will promptly pay all arbitration filing fees unless you seek more than \$25,000 in damages, in which case the payment of these fees will be governed by the applicable arbitration rules. Except as otherwise provided for herein, LG will pay all filing, administration and arbitrator fees for any arbitration initiated in accordance with the applicable arbitration rules and this arbitration provision. If you prevail in the arbitration, LG will pay your attorneys' fees and expenses as long as they are reasonable, by considering factors including, but not limited to, the purchase amount and claim amount. Notwithstanding the foregoing, if applicable law allows for an award of reasonable attorneys' fees and expenses, an arbitrator can award them to the same extent that a court would. If the arbitrator finds either the substance of your claim or the relief sought in the demand is frivolous or brought for an improper purpose (as measured by the applicable laws), then the payment of all arbitration fees will be governed by the applicable arbitration rules. In such a situation, you agree to reimburse LG for all monies previously disbursed by it that are otherwise your obligation to pay under the applicable arbitration rules. Except as otherwise provided for, LG waives any rights it may have to seek attorneys' fees and expenses from you if LG prevails in the arbitration.

Hearings and Location. If your claim is for \$25,000 or less, you may choose to have the arbitration conducted solely (1) on the basis of documents submitted to the arbitrator, (2) through a telephonic hearing, or (3) by an in-person hearing as established by the applicable arbitration rules. If your claim exceeds \$25,000, the right to a hearing will be determined by the applicable arbitration rules. Any in-person arbitration hearings will be held at the nearest, most mutually-convenient arbitration location available within the province or territory in which you reside unless you and LG both agree to another location or agree to a telephonic arbitration.

Severability and Waiver. If any portion of this Limited Warranty (including these arbitration procedures) is unenforceable, the remaining provisions will continue in full force and effect to the maximum extent permitted by applicable law. Should LG fail to enforce strict performance of any provision of this Limited Warranty (including these arbitration procedures), it does not mean that LG intends to waive or has waived any provision or part of this Limited Warranty.

Opt Out. You may opt out of this dispute resolution procedure. If you opt out, neither you nor LG can require the other to participate in an arbitration proceeding. To opt out, you must send notice to LG no later than 30 calendar days from the date of the first consumer purchaser's purchase of the product by either (i) sending an e-mail to optout@lge.com, with the subject line: "Arbitration Opt Out," or (ii) calling 1-800-980-2973. You must include in the opt out e-mail or provide by telephone: (a) your name and address; (b) the date on which the product was purchased; (c) the product model name or model number; and (d) the serial number (the serial number can be found (i) on the product; or (ii) online by accessing https://www.lg.com/ca_en/support/repair-service/schedule-repair and clicking on "Find My Model & Serial Number").

In the event that you "Opt Out", the law of the province or territory of your residence shall govern this Limited Warranty and any disputes between you and LG except to the extent that such law is preempted by or inconsistent with applicable federal or provincial/territorial law. Should arbitration not be permitted for any claim, action, dispute or controversy between you and LG, you and LG agree to attorn to the exclusive jurisdiction of the courts of the province or territory of your residence for the resolution of the claim, action, dispute or controversy between you and LG.

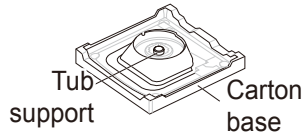
You may only opt out of the dispute resolution procedure in the manner described above (that is, by e-mail or telephone); no other form of notice will be effective to opt out of this dispute resolution procedure. Opting out of this dispute resolution procedure will not affect the coverage of the Limited Warranty in any way, and you will continue to enjoy the full benefits of the Limited Warranty. If you keep this product and do not opt out, then you accept all terms and conditions of the arbitration provision described above.

Conflict of Terms. In the event of a conflict or inconsistency between the terms of this Limited Warranty and the End User License Agreement ("EULA") in regards to dispute resolution, the terms of this Limited Warranty shall control and govern the rights and obligations of the parties and shall take precedence over the EULA.

Warranty Exceptions

The packing materials are not removed.

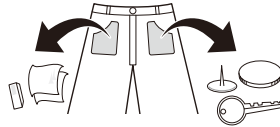
Noise, vibration



Remove the packing materials.

A coin or foreign object is stuck in the washer.

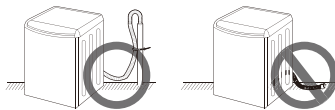
E6 error, the tub won't spin, noise



Remove coins or foreign objects from the laundry before loading.

The drain hose is installed too low.

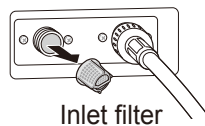
IE error, failure to fill with water, draining during fill



Reinstall the drain hose properly.

The water inlet valve filters are clogged or the water inlet hoses are kinked.

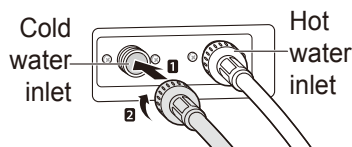
Water is not coming.



Clean the inlet valve filter or reinstall the water inlet hoses.

The inlet hoses are installed in reverse.

Laundry is hot, warm or wrinkled after finished washing.



Reinstall the inlet hoses.

The water tap is not turned on.

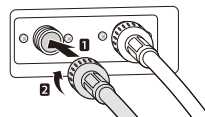
Water is not supplied.



Turn on the water tap.

Improper installation of water inlet hoses or using third party inlet hoses

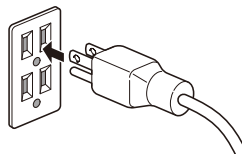
Leakage



Reinstall the inlet hoses or replace them with approved hoses.

Loose connection of power cord or electrical outlet problem

No power problem



Reconnect the power cord or change the electrical outlet.

Improper installation or use of product

Service trips to deliver, pick up, install the product or for instruction on product use.



The warranty covers manufacturing defects only. Service resulting from improper installation is not covered.

The removal and reinstallation of the product.

Accidents, pests and vermin, lightning, wind, fire, floods, or acts of God



Service resulting from natural disasters rather than manufacturing defects is not covered by the warranty.

Damage to the product

MANUEL DU PROPRIÉTAIRE

LAVEUSE



Veillez lire attentivement le présent manuel de l'utilisateur avant de faire fonctionner l'appareil et conservez-le à portée de la main pour le consulter en tout temps.

TABLE DES MATIÈRES

3 CONSIGNES DE SÉCURITÉ

3 CONSIGNES DE SÉCURITÉ IMPORTANTES

7 APERÇU DU PRODUIT

7 Pièces

7 Accessoires

8 INSTALLATION

8 Outils nécessaires

8 Caractéristiques du produit

9 Choix de l'emplacement adéquat

10 Déballage et retrait des matériaux d'expédition

11 Raccordement des conduites d'eau

12 Raccordement du tuyau de vidange

13 Mise au niveau de la laveuse

14 Branchement électrique

14 Essai de la laveuse

15 FONCTIONNEMENT

15 Utilisation de la laveuse

16 Chargement de la laveuse

17 Chargement de la laveuse

18 Ajout de produits de nettoyage

21 Panneau de contrôle

23 Cycles de lavage

26 Guide sur les cycles

30 Boutons de modification des cycles

31 Fonctionnalité Soins spéciaux

32 Boutons d'option

34 FONCTIONS INTELLIGENTES

34 Application LG SmartThinQ (pour le produit qui est doté du module LAN sans fil)

37 Fonction Smart Diagnosis^{MC}

38 ENTRETIEN

38 Nettoyage régulier

40 Nettoyage des filtres d'entrée d'eau

41 Entretien dans les climats froids

42 DÉPANNAGE

42 Avant d'appeler le réparateur

52 GARANTIE LIMITÉE

52 POUR CANADA

56 Exceptions à la garantie

CONSIGNES DE SÉCURITÉ

LISEZ TOUTES LES CONSIGNES AVANT L'UTILISATION

Il est très important d'assurer votre sécurité et celle des autres.

Nous fournissons de nombreux conseils de sécurité importants dans ce manuel et sur votre appareil. Lisez toujours l'ensemble des messages de sécurité et respectez-les.



Ceci est le symbole d'alerte de sécurité.

Ce symbole est destiné à vous alerter des dangers potentiels pouvant entraîner la mort ou des blessures.

Tous les messages de sécurité sont précédés du symbole d'alerte de sécurité et du terme AVERTISSEMENT ou MISE EN GARDE. Voici les messages que ces mots véhiculent :



AVERTISSEMENTS

Si vous ne suivez pas les consignes, cela pourrait entraîner la mort ou des blessures graves.



MISES EN GARDE

Si vous ne suivez pas les consignes, cela pourrait entraîner des blessures mineures ou modérées ou endommager le produit.

Tous les messages relatifs à la sécurité vous indiquent la nature du danger potentiel, la façon de réduire le risque de blessure et ce qui peut se produire si vous ne suivez pas les instructions.

CONSIGNES DE SÉCURITÉ IMPORTANTES



AVERTISSEMENTS

Pour réduire les risques d'explosion, d'incendie, de mort, de décharge électrique, de brûlure ou de blessures lors de l'utilisation de l'appareil, prenez les précautions élémentaires, y compris les suivantes :

INSTALLATION

- Respectez toutes les procédures de sécurité recommandées de l'industrie, incluant le port de gants à longs poignets et de lunettes de sécurité.
- N'essayez jamais d'utiliser cet appareil s'il est endommagé, défectueux ou partiellement désassemblé, s'il manque des pièces ou si des pièces, incluant le câble et la fiche, sont endommagées.
- Avant d'être utilisé, l'appareil doit être installé conformément aux directives de ce manuel.
- Pour réduire le risque de blessure grave ou de décès, suivez toutes les consignes d'installation.
- Consultez la section DIRECTIVES D'INSTALLATION pour voir la procédure détaillée de mise à la terre. Des directives d'installation sont incluses avec l'appareil pour que l'installateur puisse les consulter. Si vous déménagez l'appareil, faites-le inspecter et réinstaller par un technicien qualifié.
- Au moins deux personnes sont requises pour déplacer ou installer l'appareil.
- N'installez pas l'appareil dans un endroit humide.
- Entrez et installez l'appareil dans un endroit où il ne sera pas exposé à des températures sous le point de congélation ni aux intempéries.

- Cet appareil n'est pas conçu pour un usage nautique ou mobile, comme dans un véhicule récréatif, une roulotte ou un avion.
- Gardez le matériel d'emballage hors de portée des enfants. Le matériel d'emballage pose un danger pour les enfants. Il y a un risque de suffocation.
- Détruisez l'emballage en carton, le sac en plastique et tout autre matériel d'emballage après avoir déballé l'appareil. Les enfants pourraient jouer avec ces articles. Le carton, lorsque recouvert de tapis, de draps ou de pellicule de plastique, peut se transformer en chambre étanche.
- L'appareil doit être installé et mis à la terre conformément au code du bâtiment local par le personnel qualifié.
- Ne coupez ni n'enlevez jamais la broche de mise à la terre du câble d'alimentation.
- Lorsque vous installez ou déplacez l'appareil, faites attention de ne pas pincer, écraser, ni endommager le câble d'alimentation.
- Branchez l'appareil dans un circuit électrique à protection, à valeurs nominales et de taille adéquates pour éviter une surcharge électrique.
- Cet appareil doit être placé près d'une prise électrique.
- Débranchez le cordon d'alimentation, le fusible de maison ou le disjoncteur avant l'installation ou un entretien de l'appareil.
- Le cordon d'alimentation de cet appareil est équipé d'une fiche à trois broches (Mise à la terre) qui va dans une prise à trois trous (Mise à la terre) standard, afin de minimiser la possibilité d'électrocution.
- Utilisez des tuyaux neufs pour raccorder l'appareil à l'alimentation en eau. Ne réutilisez pas des tuyaux usagés.

FUNCTIONNEMENT

- Lisez toutes les instructions avant d'utiliser l'appareil et conservez ces instructions.
- N'utilisez l'appareil qu'aux fins pour lesquelles il est conçu.
- Si l'appareil a été immergé, communiquez avec le Centre d'information à la clientèle de LG Electronics pour obtenir des directives avant de recommencer à l'utiliser.
- Si l'appareil produit un bruit bizarre, une odeur chimique ou de brûlé ou de la fumée, débranchez-le immédiatement et communiquez avec le Centre d'information à la clientèle de LG Electronics.
- Dans certaines conditions, de l'hydrogène peut se former dans un système d'eau chaude qui pas été utilisé pendant deux semaines ou plus. L'HYDROGÈNE EST UN GAZ EXPLOSIF. Si le système d'eau chaude n'a pas servi pendant une telle durée, ouvrez tous les robinets d'eau chaude et laissez l'eau couler pendant plusieurs minutes avant d'utiliser l'appareil. Cette procédure permettra d'évacuer toute trace d'hydrogène accumulé. Comme l'hydrogène est un gaz inflammable, ne fumez pas pendant ce temps, et n'utilisez pas de feu.
- Ne mettez pas vos mains dans l'appareil si la cuve, le tambour, l'agitateur ou toute autre partie bouge. Avant de charger, de décharger ou d'ajouter des articles, appuyez sur le bouton Démarrer/pause et attendez que la cuve ou le tambour s'arrête complètement avant de mettre vos mains à l'intérieur.
- Cet appareil n'est pas destiné à être utilisé par des personnes (incluant des enfants) dont les capacités physiques, mentales ou sensorielles sont réduites, ou qui n'ont pas l'expérience ou les connaissances pour le faire, à moins d'avoir reçu des instructions et d'avoir été supervisées par une personne responsable de leur sécurité.
- Ne laissez pas les enfants ou les animaux jouer dans, avec ou sur l'appareil. Vous devez superviser de près les enfants ou les animaux lorsque vous utilisez l'appareil et qu'ils sont à proximité.
- Gardez les produits de lessive hors de la portée des enfants. Pour prévenir les blessures, respectez tous les avertissements sur les étiquettes des produits.
- Réparez ou remplacez immédiatement tout câble d'alimentation effiloché ou endommagé. N'utilisez pas un câble avec des fissures ou des dommages d'abrasion sur sa longueur ou sur une de ses extrémités.
- Ne débranchez jamais l'appareil en tirant sur le cordon d'alimentation. Prenez toujours la fiche fermement et tirez-la de la prise de courant.
- N'utilisez pas de rallonge électrique ni d'adaptateur avec cet appareil.
- Ne saisissez pas le cordon d'alimentation et ne touchez pas les boutons de l'appareil avec les mains mouillées.
- Ne modifiez et ne prolongez pas le cordon d'alimentation.
- Si le cordon d'alimentation électrique est endommagé, il doit être remplacé par le fabricant uniquement ou par son agent de service ou encore une personne qualifiée possédant ce type de compétences pour éviter un risque.

- Ne placez pas d'articles huileux ou gras, de chandelles ou de matières inflammables au-dessus de l'appareil.
- Veillez à maintenir la zone située en-dessous et autour de vos appareils électroménagers dégagée de matières combustibles (peluche/charpie, papier, chiffons, etc.), d'essence, de produits chimiques et d'autres vapeurs ou liquides inflammables.
- N'entreposez ou n'utilisez pas d'essence ou d'autres vapeurs inflammables à proximité de cet appareil ou d'autres appareils.
- Ne mélangez pas de javellisant chloré avec des agents acides comme le vinaigre. Suivez les directives de l'emballage lorsque vous utilisez des produits de lessive. Une utilisation incorrecte pourrait produire des gaz toxiques pouvant causer des blessures graves ou la mort.
- N'utilisez jamais de nettoyeurs forts, de nettoyeurs abrasifs, ni de solvants pour nettoyer la laveuse. Ils peuvent endommager le fini.
- Ne lavez pas d'articles qui ont été nettoyés, lavés, trempés dans de l'essence, ou tachés par celle-ci, par des solvants de nettoyage à sec ou d'autres substances inflammables ou explosives, puisque les vapeurs pourraient s'enflammer ou exploser.
- N'ajoutez pas d'essence, de solvants de nettoyage à sec ou autres substances inflammables ou explosives dans l'eau de lavage. Ces substances dégagent des vapeurs qui peuvent s'enflammer ou exploser.
- En cas de fuite de gaz (propane, gaz naturel, etc.), ne faites pas fonctionner cet appareil ni tout autre appareil. Ouvrez immédiatement une fenêtre ou une porte pour aérer la zone.
- Ne modifiez pas les commandes.
- Fixez solidement le tuyau de vidange pour éviter les inondations.
- Ne forcez pas le couvercle (porte) et ne posez pas votre poids sur le couvercle (porte) de l'appareil.
- Gardez les mains et tout objet étranger à l'écart du couvercle (porte) et de la zone de verrouillage lorsque vous fermez le couvercle (porte).
- Vérifiez toujours s'il y a des objets inhabituels à l'intérieur de l'appareil.
- Ne laissez pas d'eau, de javellisant ou d'autres liquides reposer dans la cuve pendant de longues périodes. Cela pourrait entraîner la corrosion du tambour ou causer de la moisissure ou de mauvaises odeurs.

ENTRETIEN

- Ne réparez ou ne remplacez aucune pièce de l'appareil. Toutes les réparations et tous les entretiens doivent être effectués par un technicien d'entretien qualifié, à moins qu'il y ait d'autres recommandations précises dans ce manuel d'utilisation. N'utilisez que des pièces d'origine autorisées.
- Débranchez cet appareil de la prise électrique avant de le nettoyer et avant toute tentative d'entretien. L'utilisation du panneau de commande pour éteindre l'appareil ne coupe pas l'alimentation.
- Retirez toute poussière ou tout corps étranger des fiches du câble d'alimentation.
- Ne désassemblez pas et ne réparez pas l'appareil vous-même.
- Retirez le couvercle (porte) avant de mettre l'appareil hors service ou de le mettre au rebut, et ce, afin d'éviter que des enfants ou de petits animaux restent pris à l'intérieur.
- Assurez-vous que le tiroir du distributeur ou le couvercle (porte) est fermé en tout temps lorsque l'appareil n'est pas rempli d'articles à laver.

CONSIGNES DE MISE À LA TERRE

- La connexion incorrecte du conducteur pour relier les appareils à la terre peut créer un risque de décharge électrique. Vérifiez avec un électricien compétent ou un personnel de service si vous n'êtes pas certain que l'appareil est correctement mis à la terre. Ne modifiez pas la fiche fournie avec l'appareil; si elle ne rentre pas dans la prise, faites installer une prise appropriée par un électricien compétent.
- L'appareil doit être mis à la terre. En cas d'un mauvais fonctionnement ou d'une panne, la mise à terre réduira le risque de décharge électrique en fournissant le moins de résistance pour le courant électrique. L'appareil est équipé d'un cordon avec un conducteur pour relier les appareils à la terre. La fiche doit être branchée sur une prise appropriée, installée et reliée à la terre conformément aux codes et règlements locaux.



MISES EN GARDE

Pour réduire les risques de blessures mineures, de pannes ou de dommages causés à l'appareil ou à la propriété lors de l'utilisation de l'appareil, prenez les précautions élémentaires, y compris les suivantes :

INSTALLATION

- Installez le produit sur un plancher ferme et au niveau.

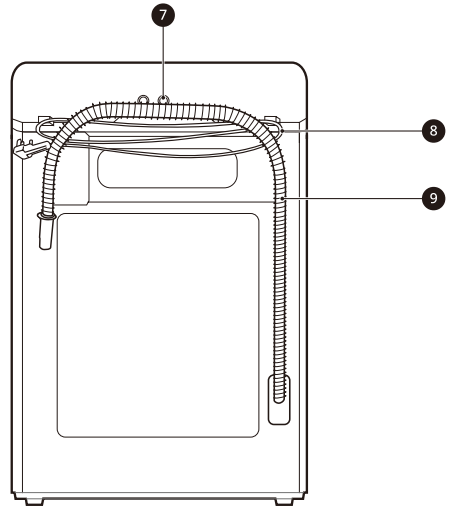
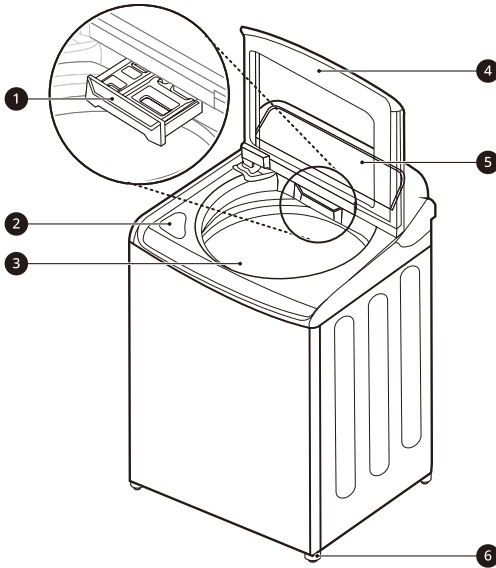
FONCTIONNEMENT

- Ne placez pas d'objets sur le dessus de l'appareil.
- Fermez les robinets d'eau et débranchez l'appareil si vous quittez votre résidence pendant longtemps, comme lorsque vous partez en voyage.
- Suivez TOUJOURS les directives d'entretien du fabricant des articles.
- Utilisez uniquement de l'assouplissant ou des produits antistatiques conformément aux recommandations du fabricant.
- Ne combinez pas des produits de lessive dans une même brassée sauf si l'étiquette indique de le faire.
- Ne touchez pas à l'eau de vidange, qui peut être brûlante.
- Si le tuyau de vidange et le tuyau d'alimentation en eau gèlent durant l'hiver, il faut les dégeler avant d'utiliser l'appareil.
- Ne rangez pas et ne renversez pas les détergents liquides, les nettoyants ou les javellisants (au chlore ou à l'oxygène) sur le dessus de l'appareil. Cela pourrait entraîner de la corrosion, de la décoloration ou des dommages à la surface de l'appareil.
- Les vêtements ou les articles imperméables ou résistants à l'eau doivent être lavés à l'aide du cycle Imperméable seulement. (p. ex., les vêtements résistants à l'eau, les housses de matelas, les vêtements de plein air, les tapis en plastique, etc.) Autrement, cela pourrait causer des blessures ou des dommages à la laveuse, aux vêtements, aux murs, au plancher et aux objets environnants en raison de vibrations anormales.

GARDEZ CES CONSIGNES

APERÇU DU PRODUIT

Pièces



- | | | | |
|--------------------------------------|---------------------|------------------------|-------------------------|
| 1 Distributeur de détergent | 3 Cuve | 5 Panneau de contrôle | 7 Arrivées d'eau |
| 2 Compartiment à javellisant liquide | 4 Couvercle (porte) | 6 Pieds de nivellement | 8 Cordon d'alimentation |
| | | | 9 Tuyau de vidange |

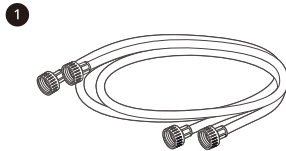
Accessoires

Accessoires inclus



- 1 Attache en plastique

Accessoires requis



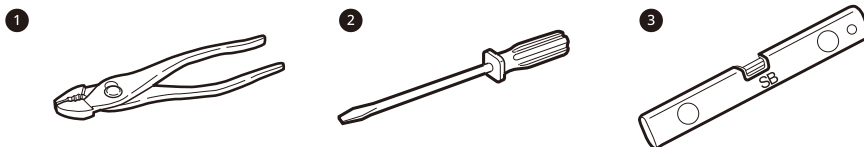
- 1 Tuyaux d'eau froide et d'eau chaude

REMARQUE

- Les illustrations contenues dans ce manuel peuvent être différentes des composants et accessoires réels, et ceux-ci peuvent être modifiés sans préavis par le fabricant dans le but d'améliorer le produit.
- Pour votre sécurité et pour prolonger la vie du produit, n'utilisez que des composants autorisés. Le fabricant décline toute responsabilité en cas de dysfonctionnement du produit ou d'accidents consécutifs à l'utilisation de pièces non autorisées et achetées séparément.

INSTALLATION

Outils nécessaires



- ❶ Pinces
- ❷ Tournevis plat
- ❸ Niveau

Caractéristiques du produit

L'aspect et les caractéristiques énumérés dans le présent manuel peuvent varier en raison des constantes améliorations apportées au produit.

Modèle	WT7850H*A
Alimentation électrique	c.a. 120 V - 60 Hz
Pression d'eau min./max.	De 20 à 120 psi (de 138 à 827 kPa)
Dimensions	27 po (L) x 28 3/8 po (P) x 44 1/4 po (H), 57 1/4 po (hauteur avec le couvercle [porte] ouvert) 68,6 cm (L) x 72,1 cm (P) x 113 cm (H), 145,3 cm (hauteur avec le couvercle [porte] ouvert)
Poids net	138,9 lb (63 kg)
Vitesse d'essorage max.	950 tr/min (± 50 tr/min)



AVERTISSEMENTS

- Au moins deux personnes sont requises pour déplacer ou installer l'appareil. Le non-respect de ces consignes peut entraîner des blessures.
- Entrez et installez l'appareil dans un endroit où elle ne sera pas exposée à des températures sous le point de congélation ni aux intempéries. Le non-respect de cet avertissement peut causer une défaillance du produit ou d'une pièce, des blessures graves, un incendie, une décharge électrique ou la mort.
- Faites la mise à la terre de la laveuse conformément à tous les codes et ordonnances en vigueur. Le non-respect de cet avertissement peut causer des blessures graves, un incendie, une décharge électrique ou la mort.
- Pour réduire le risque de décharge électrique, n'installez jamais l'appareil dans un endroit humide. Le non-respect de cet avertissement peut causer des blessures graves, un incendie, une décharge électrique ou la mort.
- Pour assurer une circulation adéquate de l'air, ne bloquez pas la grande ouverture au bas de la laveuse avec du tapis ou autre.
- Ne retirez pas la broche de mise à la terre de la fiche. N'utilisez pas d'adaptateur ni de rallonge. Branchez dans une prise pour 3 broches avec mise à la terre. Le non-respect de cet avertissement peut causer des blessures graves, un incendie, une décharge électrique ou la mort.
- Certaines pièces internes qui intentionnellement ne sont pas mises à la terre posent un risque de décharge électrique durant l'entretien seulement. Remarque à l'intention du personnel d'entretien – Évitez tout contact avec les pièces suivantes lorsque l'appareil est sous tension : la pompe, le moteur, le couvercle du filtre coupe-vent et l'élément chauffant (pour les modèles concernés).

Choix de l'emplacement adéquat

Installez la laveuse sur un plancher solide, fort et assez stable pour supporter le poids de la laveuse, même lorsqu'elle est remplie à capacité, sans fléchir ou rebondir. Si le plancher est trop flexible, vous pourriez devoir le renforcer pour le rendre plus stable. Si le plancher n'est pas solide, cela pourrait produire de fortes vibrations et beaucoup de bruit.

REMARQUE

- Avant d'installer la laveuse, vérifiez que le plancher est propre et sec, sans poussières, saletés, eau ou huile afin que les pieds de la laveuse ne glissent pas. Des pieds de nivellement qui peuvent se déplacer et glisser sur le plancher peuvent entraîner des vibrations et du bruit excessifs à cause du faible contact avec le plancher.
- Allouez suffisamment d'espace entre les murs et la laveuse à l'installation.

Prise électrique

- La prise électrique doit être à 60 po (1,5 m) ou moins d'un des côtés de la laveuse.
- L'appareil doit être placé de façon à ce que la prise électrique reste facile d'accès.
- Ne surchargez pas la prise de courant avec plus d'un appareil.
- La prise doit être mise à la terre conformément aux règlements actuels concernant les installations électriques.
- Utilisez un fusible à fusion lente ou un disjoncteur.

REMARQUE

- Le propriétaire de l'appareil est responsable et tenu de faire installer une prise de courant adéquate par un électricien qualifié.

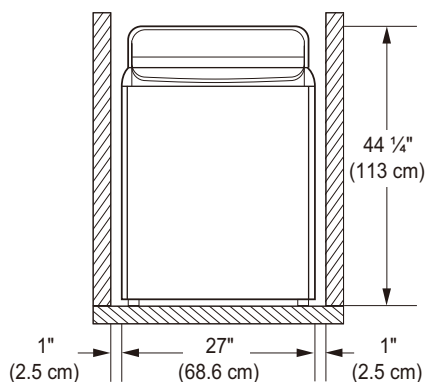
Plancher

- Pour minimiser les vibrations et le bruit, la laveuse doit être installée sur un plancher ferme et solide.
- La pente permise sous la laveuse est de 1 po (2,5 cm) ou moins d'un côté à l'autre, ou de l'avant à l'arrière.
- Il n'est pas recommandé d'installer l'appareil sur du tapis ou des tuiles en matériau souple.
- N'installez jamais la laveuse sur une plateforme ou une structure mal soutenue.

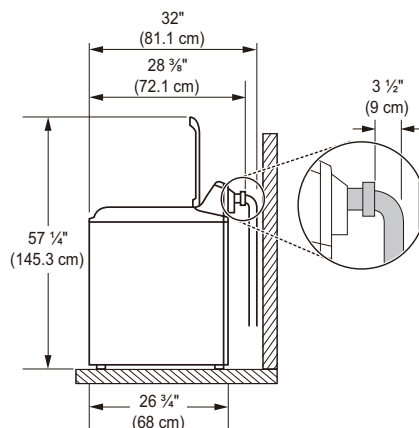
REMARQUE

- La laveuse doit être installée sur un plancher ferme pour minimiser les vibrations durant le cycle d'essorage. La surface idéale est un plancher de béton, mais un plancher en bois suffit, pourvu qu'il soit construit conformément aux normes de la FHA.

Installation sur le plancher



Afin d'assurer un dégagement suffisant pour l'acheminement des conduites d'eau, du boyau d'évacuation et pour la circulation d'air, il doit y avoir au moins 1 pouce (2,5 cm) d'espace libre de chaque côté de l'appareil et 4 pouces (10 cm) d'espace libre derrière l'appareil. Assurez-vous de tenir compte des murs, des portes et des moulures de plancher qui pourraient augmenter les dégagements nécessaires.



- L'espace vertical minimum du sol jusqu'au-dessus des étagères, des armoires, des plafonds, etc., est de 58 pouces (147 cm).

Déballage et retrait des matériaux d'expédition

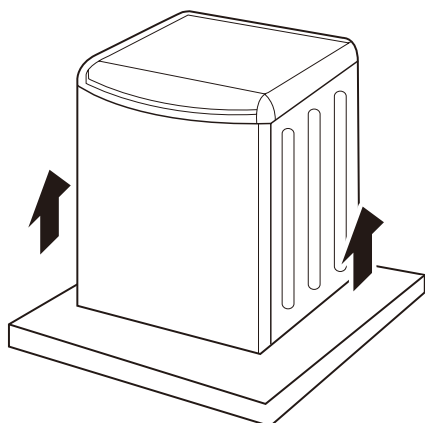
Déballer tous les matériaux d'expédition de la laveuse pour assurer un fonctionnement adéquat et inspecter l'appareil pour vérifier s'il a été endommagé pendant l'expédition.



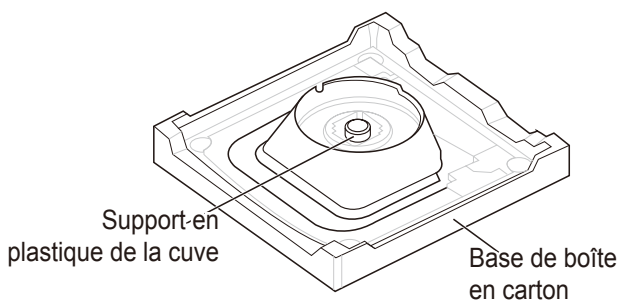
MISES EN GARDE

- L'omission de retirer le matériel d'expédition peut entraîner du bruit excessif et des vibrations.

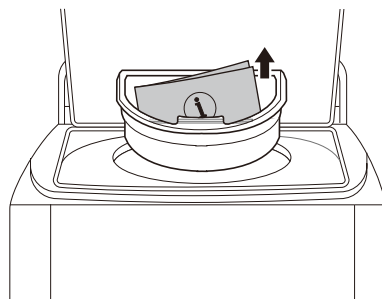
- 1 Soulevez la laveuse de la base en styromousse.
 - Après avoir retiré la boîte en carton et l'emballage d'expédition, soulevez la laveuse de la base en styromousse. Assurez-vous que le support en plastique de la cuve reste par terre, et qu'il n'est pas collé au bas de la laveuse.



- Si vous devez mettre la laveuse sur le côté pour enlever du matériel d'emballage de la base, protégez toujours le côté de la laveuse, et placez-la soigneusement sur le côté. Ne couchez pas la laveuse sur sa surface avant ou arrière.



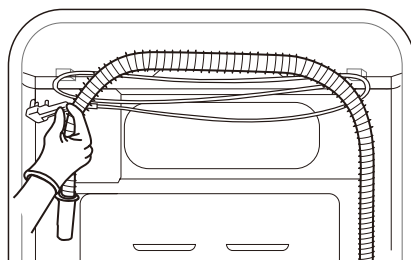
- 2 Pour éviter les dommages, ne retirez pas le bloc de mousse contenant le guide d'utilisation, les pièces et les échantillons de produits de lessive du tambour jusqu'à ce que la laveuse se trouve à son emplacement final.



REMARQUE

- Conservez ensuite le bloc de mousse pour une utilisation future. Si vous devez déplacer la laveuse, vous pourrez alors utiliser le bloc de mousse pour réduire le risque de dommage pendant le transport.

- 3 Détachez le cordon d'alimentation de l'arrière de la laveuse.



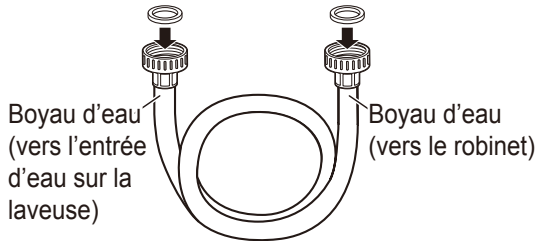
Raccordement des conduites d'eau

Pour éviter les risques de dégâts d'eau coûteux, achetez et installez de nouveaux tuyaux d'alimentation au moment d'installer la laveuse.

1 Vérifiez les raccords et le scellage.

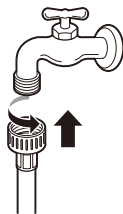
- Inspectez le filet de tous les connecteurs des boyaux et vérifiez qu'une rondelle d'étanchéité en caoutchouc est en place dans tous les connecteurs pour empêcher les fuites.

Joint en caoutchouc Joint en caoutchouc



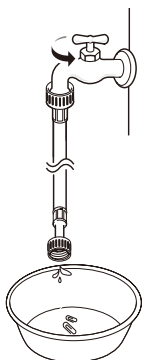
2 Raccordez les boyaux d'entrée d'eau.

- Raccordez les boyaux d'entrée d'eau aux robinets d'eau chaude et d'eau froide en les serrant à la main le plus possible, puis serrez-les de 2/3 de tour de plus avec des pinces. Raccordez le boyau bleu au robinet d'eau froide et le boyau rouge au robinet d'eau chaude.

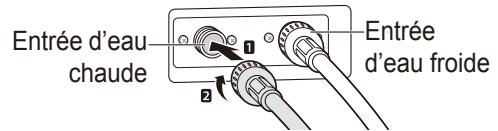


3 Purgez les boyaux d'entrée d'eau.

- Après avoir raccordé les boyaux d'entrée d'eau aux robinets, ouvrez les deux robinets pour purger les débris dans les boyaux (poussière, sable ou bran de scie). Laissez l'eau couler dans une chaudière et vérifiez la température de l'eau pour vous assurer que les boyaux sont raccordés aux bons robinets.



- 4 Raccordez les boyaux à l'arrière de la laveuse.
- Raccordez le boyau d'eau chaude à l'entrée d'eau chaude à l'arrière de la laveuse. Raccordez le boyau d'eau froide à l'entrée d'eau froide à l'arrière de la laveuse. Serrez fermement les connecteurs. Ouvrez complètement les deux robinets et vérifiez qu'il n'y a pas de fuite aux deux extrémités des boyaux.



⚠ AVERTISSEMENTS

- Ne serrez pas trop les tuyaux et ne faussez pas les raccords filetés. Un serrage excessif ou le faussement des raccords peut endommager les valves ou les raccords, ce qui peut causer des fuites et des dégâts matériels.
- Ne réutilisez pas de vieux tuyaux. Utilisez uniquement des tuyaux neufs lorsque vous installez la laveuse. Les tuyaux usagés pourraient fuir ou éclater, causant des inondations et des dommages matériels. Communiquez avec le centre d'information à la clientèle de LG pour obtenir de l'aide pour l'achat de tuyaux.

REMARQUE

- Inspectez régulièrement les boyaux pour vous assurer qu'ils ne comportent pas de fissures, d'usure, ni de fuites, et remplacez les boyaux tous les cinq ans. N'étirez pas les boyaux intentionnellement, et assurez-vous qu'ils ne sont pas pincés, écrasés, ni déformés par d'autres objets.
- La pression d'entrée d'eau doit être entre 20 et 120 psi (138 à 827 kPa). Si la pression d'entrée d'eau est supérieure à 120 psi, une soupape de réduction de pression doit être installée.
- Pour optimiser le rendement de lavage, réglez la température de l'eau chaude à 120 - 135 °F (48 - 57 °C) et la température de l'eau froide à 60 °F (15 °C).
- La laveuse ne devrait jamais être installée ou entreposée dans un endroit exposé à des températures sous le point de congélation. Ceci pourrait endommager les conduites d'eau et les mécanismes internes de la laveuse. Si la laveuse a été exposée à des températures sous le point de congélation avant d'être installée, laissez-la reposer à la température de la pièce pendant plusieurs heures avant de l'utiliser, et vérifiez qu'il n'y a pas de fuites avant de la faire fonctionner.
- N'utilisez pas de tuyaux de prévention des inondations dotés de dispositifs d'arrêt automatique. Les dispositifs peuvent se déclencher pendant le remplissage et empêcher la laveuse de se remplir correctement.

Raccordement du tuyau de vidange

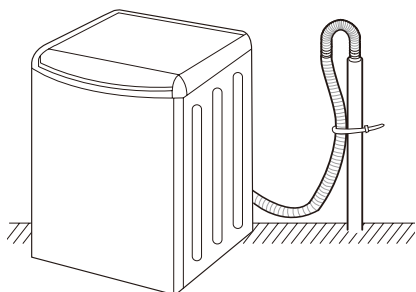
Vous pouvez installer le tuyau de vidange à l'aide d'un réservoir cylindrique ou d'une cuve de lessive. Choisissez la méthode qui vous convient le mieux.

REMARQUE

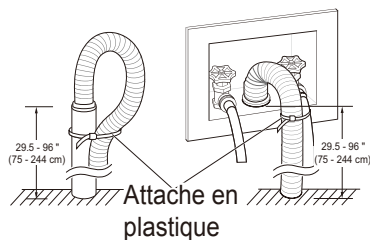
- Le boyau d'évacuation doit toujours être bien fixé en place. Le non-respect de cette consigne peut causer une inondation et des dommages matériels.
- Le drain doit être installé conformément aux règlements applicables.
- Assurez-vous que le boyau d'évacuation n'est pas étiré, pincé, écrasé, ni déformé.
- N'installez pas l'extrémité de sortie des boyaux à une hauteur inférieure à 29,5 po (75 cm) ou supérieure à 96 po (244 cm) au-dessus du bas de la laveuse, ou à plus de 60 po (152 cm) de la laveuse.
- Ne créez jamais un joint étanche entre le boyau et le drain avec du ruban ou autrement. Sans circulation d'air, l'eau pourrait être siphonnée de la cuve, ce qui réduirait le rendement du lavage et du rinçage, et pourrait endommager les vêtements.

Option 1 : Tuyau vertical

- 1 Insérez l'extrémité du boyau d'évacuation dans le tuyau vertical.
- 2 Utilisez la courroie d'attache fournie pour maintenir le tuyau de vidange en place.



- 3 Si les vannes d'eau et le drain se trouvent dans le mur, fixez le tuyau de vidange à l'un des tuyaux d'eau à l'aide de la sangle d'attache fournie (face ondulée vers l'intérieur).



⚠ MISES EN GARDE

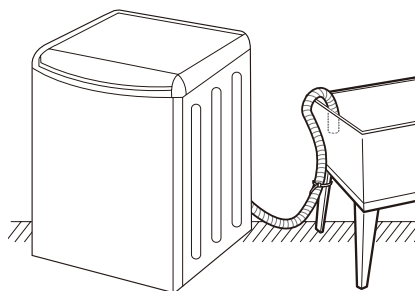
- N'insérez pas l'extrémité du tuyau de vidange à une profondeur de plus de 8 pouces (20 cm) dans le tuyau vertical. Cela peut entraîner le pompage de l'eau, l'apparition d'odeurs ou une vidange inadéquate.

REMARQUE

- Si le drain est assez grand pour que la bride du tuyau puisse y tenir, n'insérez pas la bride à une profondeur de plus de 1 à 2 pouces dans le drain.

Option 2 : Évier de salle de lavage

- 1 Accrochez l'extrémité du boyau d'évacuation sur le côté de l'évier.
- 2 Utilisez la courroie d'attache fournie pour maintenir le tuyau de vidange en place.



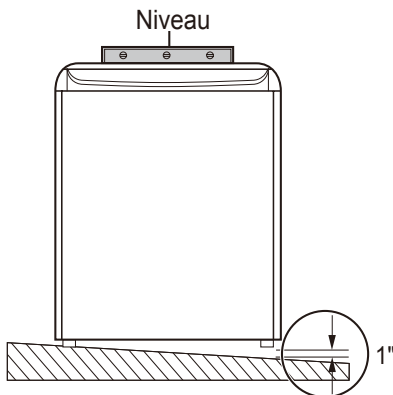
Mise au niveau de la laveuse

La cuve de la laveuse tourne à une très grande vitesse. Pour réduire les vibrations, les bruits et tout déplacement accidentel de l'appareil, le plancher doit être parfaitement uniforme et solide.

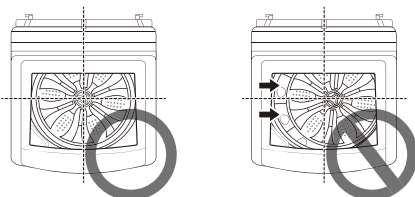
REMARQUE

- Allongez les pieds de nivellement uniquement pour les besoins de la mise au niveau de la laveuse. Les allonger plus que nécessaire pourrait provoquer des vibrations à la laveuse.
- Avant d'installer la laveuse, vérifiez que le plancher est propre et sec, sans poussières, saletés, eau ou huile afin que les pieds de la laveuse ne glissent pas. Des pieds qui se déplacent et glissent sur le plancher peuvent entraîner des vibrations et du bruit excessifs à cause du faible contact avec le plancher.

- 1 Placez la laveuse dans son emplacement choisi.
 - Faites bien attention de ne pas pincer, coincer ou écraser les conduites d'eau et de vidange. Si vous possédez un niveau de menuisier, vous pouvez l'utiliser pour vérifier le niveau de la laveuse. La pente sous la laveuse ne doit pas dépasser un pouce et les quatre pieds de nivellement doivent reposer fermement sur le sol.



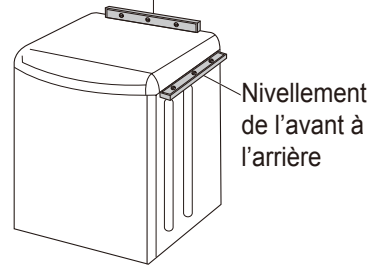
- 2 Ouvrez le couvercle (porte) et placez-vous au-dessus de l'appareil pour vérifier si la cuve est centrée.
 - Si la cuve n'est PAS centrée, réajustez les pieds avant. Si vous disposez d'un niveau, examinez la laveuse avec le niveau.



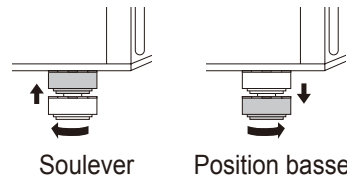
REMARQUE

- Pour vérifier si la laveuse est de niveau d'un côté à l'autre, placez un niveau sur le bord arrière du couvercle (porte).
- Pour vérifier si la laveuse est de niveau de l'avant à l'arrière, placez un niveau sur le côté de la laveuse, sur le bord où la carrosserie touche le couvercle supérieur. Ne placez pas le niveau sur le dessus du couvercle (porte). L'utilisation de cette surface fera en sorte que la laveuse ne sera pas de niveau.

Nivellement d'un côté à l'autre



- 3 Réglez les pieds de nivellement du bas.
 - Tournez dans une direction pour soulever la laveuse ou dans l'autre pour l'abaisser.



- 4 Vérifiez de nouveau le niveau de la laveuse.
 - En appuyant sur les bords supérieurs, tentez de faire basculer doucement la laveuse pour vous assurer qu'elle est stable. Si la laveuse bascule, répétez les étapes 1 à 3.

⚠ MISES EN GARDE

- L'usage de la laveuse sans la niveler au préalable pourrait causer des vibrations et du bruit excessifs, ce qui causerait la panne de la machine.
- N'allongez les pieds de nivellement que pour les besoins de la mise au niveau de la laveuse. Si vous allongez les pieds de nivellement inutilement, la laveuse pourrait produire des vibrations anormales.

REMARQUE

- Si la laveuse n'est pas de niveau, le couvercle (porte) pourrait ne pas rester ouvert correctement. Le cas échéant, dévissez les pieds de nivellement avant jusqu'à ce que la laveuse soit de niveau de l'avant à l'arrière.

Branchement électrique

La laveuse doit être branchée sur une prise c.a. de 120 V/60 Hz à 3 trous et mise à la terre. Branchez la laveuse.



AVERTISSEMENTS

- N'utilisez pas le câble électrique si la gaine ou le connecteur sont endommagés ou usés. Remplacez-le ou réparez-le immédiatement. Le non-respect de cette directive peut causer la mort, un incendie, une décharge électrique ou une défaillance.
- Ne modifiez pas le cordon et la fiche électrique fournis avec cet appareil. Assurez-vous de ne pas l'endommager en installant ou en déplaçant la laveuse. Le non-respect de cette directive peut causer la mort, un incendie, une décharge électrique ou une défaillance.
- Assurez-vous que la laveuse est mise à la terre.
- Branchez cette laveuse sur une prise électrique mise à la terre ayant une tension nominale correspondant à la tension indiquée sur la plaque signalétique avant de l'utiliser. Le non-respect de cette directive peut causer un incendie, une décharge électrique ou une défaillance.
- Ne coupez ou n'endommagez jamais la broche de mise à la terre du câble d'alimentation. Le non-respect de cette directive peut causer la mort, un incendie, une décharge électrique ou une défaillance.
- Le mauvais branchement du conducteur de mise à la terre de l'appareil peut poser un risque de décharge électrique. Consultez un électricien ou réparateur qualifié si vous n'êtes pas certain que l'appareil est correctement mis à la terre. Si la fiche n'est pas compatible avec la prise électrique, faites installer une prise électrique adéquate par un électricien qualifié.
- L'appareil doit être placé de façon à ce que la prise électrique reste facile d'accès.
- N'utilisez pas d'adaptateur ni de rallonge. Le faire peut causer des blessures graves, un incendie ou une décharge électrique ou provoquer la mort.
- Pour assurer le meilleur rendement possible, branchez la laveuse sur une prise électrique qui lui est réservée. Ceci évite aussi de surcharger le circuit électrique, ce qui poserait un risque d'incendie.
- Si nécessaire, installez un nouvel adaptateur de prise à 3 broches certifié UL, ou une rallonge à 3 broches (Mise à la terre) avec une tension nominale égale ou supérieure à celle du circuit de la prise. N'utilisez pas une rallonge de plus de 3 pi (91,4 cm) de long. Le non-respect de ces avertissements peut causer des blessures graves, un incendie, une décharge électrique ou la mort.

Essai de la laveuse

Vérifiez si la laveuse est installée correctement et mener un test de son cycle de fonctionnement.

- 1 Assurez-vous que la cuve est vide. Ne déposez aucun article dans la cuve pour ce test.
- 2 Appuyez sur le bouton **Marche/arrêt**, puis appuyez immédiatement sur les boutons **Spin (Vitesse d'essorage)** et **Soil (Saleté)** et maintenez-les enfoncés jusqu'à ce que le code I_n5 apparaisse. (Voir ci-dessous pour la clé des codes.)

Affichage	Information
I_n5	Test initial
I_n50	Le résultat du test précédent était bon.
I_n5E	Le test précédent s'est conclu par une erreur.

REMARQUE

- I_n s'affiche en premier, et 5, 50 ou 5E apparaît ensuite.
 - L'indication est différente pour chaque modèle.
- 3 Appuyez sur le bouton **Démarrer/pause**.
 - La laveuse commencera le test, qui durera environ 3 minutes. Le test vérifie automatiquement les tuyaux d'alimentation en eau et le tuyau de vidange.
 - 4 Vérifiez les résultats sur l'afficheur.
 - Si un code d'erreur s'affiche, consultez le guide suivant.

Code d'erreur	Solution
I_nE	Ouvrez complètement les robinets. Redressez tout entortillement qu'il pourrait y avoir dans les tuyaux d'alimentation et vérifiez qu'ils ne sont pas coincés contre le mur ou sous la laveuse.
I_n5E	Redressez tout entortillement qu'il pourrait y avoir dans le tuyau de vidange et vérifiez qu'il n'est pas coincé contre le mur ou sous la laveuse. Retirez et videz le tuyau de vidange pour dégager toute obstruction. Ajustez ou réparez le drain. La hauteur maximale du drain est 96 pouces (8 pi).

- 5 Fin du cycle.
 - À la fin du cycle de test, E_{nd} ou \square s'affichera. Le cycle de test prendra fin, et la laveuse s'éteindra automatiquement après un bref délai.

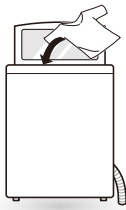
FONCTIONNEMENT

Utilisation de la laveuse

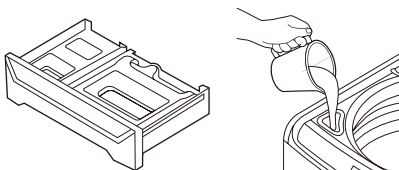
AVERTISSEMENTS

- Pour réduire le risque d'incendie, de décharge électrique ou de blessures, lisez les **DIRECTIVES DE SÉCURITÉ** avant d'utiliser cet appareil.

- 1 Trier les articles et les insérer dans la laveuse.
 - Triez les articles selon le type de tissu, le niveau de saleté, la couleur et la taille de la brassée, selon les besoins. Ouvrez le couvercle (porte) et placez les articles dans la laveuse.



- 2 Ajout des produits de nettoyage.
 - Ajoutez la quantité correcte de détergent HE (haute efficacité) dans le distributeur de détergent. Si désiré, ajoutez un javellisant ou de l'assouplissant liquide dans les distributeurs appropriés.



- 3 Mise sous tension de la laveuse.
 - Appuyez sur le bouton **Marche/arrêt** pour mettre la laveuse en marche. Les voyants au-dessus des boutons de cycle s'allumeront et un carillon retentira.



- 4 Sélection d'un cycle.
 - Tournez le bouton de sélection des cycles ou appuyez sur les boutons de cycle à plusieurs reprises, jusqu'à ce que le cycle désiré soit sélectionné. La température de lavage pré-réglée, la vitesse de séchage, le niveau de saleté et les réglages d'option pour ce cycle s'affichent.
 - Si vous appuyez sur le bouton **Démarrer/pause** sans sélectionner un cycle, le cycle **Normal** commencera immédiatement.
- 5 Ajustement des réglages.
 - Les réglages par défaut du cycle sélectionné peuvent maintenant être modifiés, au besoin, à l'aide des boutons d'options et de modification des cycles.

REMARQUE

- Toutes les modifications et les options ne sont pas disponibles pour certains cycles. Un carillon différent retentira et le voyant à DEL ne s'allumera pas si la sélection n'est pas permise.
- 6 Début du cycle.
 - Appuyez sur le bouton **Démarrer/pause** pour lancer le cycle.
 - Le couvercle (porte) se verrouille et la laveuse s'agite brièvement sans eau pour évaluer le poids de la brassée.
 - 7 Vous pouvez déposer des vêtements dans la cuve lorsque l'indicateur **Add Garments (Ajouter des vêtements)** est allumé.
 - Le témoin **Add Garments (Ajouter des vêtements)** s'allume au début du cycle de lavage pour indiquer à quel moment il est possible d'ajouter des articles à la brassée. Appuyez sur le bouton **Démarrer/pause** pour suspendre le cycle et ajouter des vêtements à la brassée. Appuyez sur le bouton **Démarrer/pause** pour poursuivre le cycle.

REMARQUE

- Le fait d'ajouter des articles une fois le témoin **Add Garments (Ajouter des vêtements)** éteint peut entraîner de mauvaises performances de lavage.
- 8 Fin du cycle.
 - Lorsque le cycle est terminé, une mélodie retentit. Enlevez immédiatement les articles de la laveuse pour réduire la formation de plis.
 - Si la laveuse est dotée de filtres à charpie, n'oubliez pas de les vérifier toutes les 2 ou 3 brassées.

Chargement de la laveuse

MISES EN GARDE

- La cuve de la laveuse peut être remplie au maximum de sa capacité, mais son contenu ne doit pas être comprimé. Le couvercle (porte) de la laveuse doit se fermer facilement.
- Utilisez le cycle **Bedding (Literie)** pour les articles flottants ou non absorbants, comme les oreillers ou les couettes. Le non-respect de cette mise en garde peut entraîner des fuites.
- Les vêtements ou les articles imperméables ou résistants à l'eau doivent être lavés à l'aide du cycle Imperméable seulement. (p. ex., les vêtements résistants à l'eau, les housses de matelas, les vêtements de plein air, les tapis en plastique, etc.) Autrement, cela pourrait causer des blessures ou des dommages à la laveuse, aux vêtements, aux murs, au plancher et aux objets environnants en raison de vibrations anormales.

Regrouper les articles similaires

Pour obtenir les meilleurs résultats de lavage et pour réduire le risque d'endommager les vêtements, prenez soin de bien trier les vêtements pour regrouper les articles similaires.

Mélanger des articles avec différents types de tissus et différents niveaux de saleté peut causer un mauvais rendement de lavage, le transfert de couleurs, la décoloration, l'endommagement des tissus et le peluchage. Les tissus devraient être triés en groupes comme c'est décrit ci-dessous.

Couleurs

Triez les articles par couleur. Lavez les vêtements foncés ensemble, dans une brassée séparée des vêtements pâles ou des articles blancs. Mélanger des articles foncés avec des articles pâles peut causer un transfert de couleurs ou la décoloration des vêtements pâles.

Niveau de saleté

Lavez les vêtements très sales ensemble. Mélanger des vêtements peu sales avec des vêtements très sales peut causer de mauvais résultats de lavage pour les vêtements peu sales.

Types de tissus

Les articles délicats ne devraient pas être mêlés avec des types de tissus lourds ou robustes. Laver des tissus lourds avec des articles délicats peut causer de mauvais résultats de lavage pour les tissus lourds et peut endommager les articles délicats.

Peluchage










Certains tissus attirent les peluches, alors que d'autres produisent des peluches durant le processus de lavage. Évitez de mélanger les tissus qui attirent les peluches avec ceux qui en produisent dans une même brassée. Mélanger ces types de tissus empire le peluchage des tissus qui attirent les peluches. (Par exemple, un chandail tricoté attire la peluche; les serviettes éponges en produisent.)

Tri des articles

Par Couleurs	Par saleté	Par tissu	Par peluchage
Blancs	Heavy (Très sale)	Delicates (Déliçats)	Producteurs de peluches
Pâles	Normal (Normal)	Sans repassage	Collecteurs de peluches
Foncés	Light (Peu sale)	Robustes	

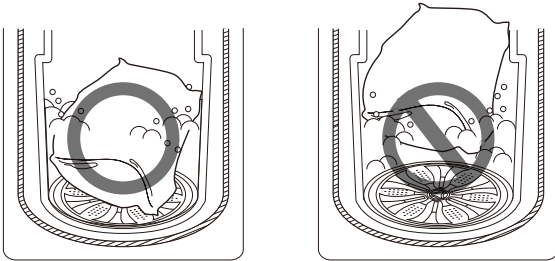
Étiquettes d'entretien des tissus

Beaucoup de vêtements comportent une étiquette d'entretien des tissus. Consultez le tableau ci-dessous pour choisir le cycle et les options en fonction des recommandations du fabricant de vos vêtements.

Catégorie	Étiquette	Directives
Lavage		Lavage à la main
		Lavage à la machine, cycle normal
		Réglage Tissus infroissables/résistant au froissement (Doté d'une étape de refroidissement ou de vaporisation froide avant l'essorage lent)
		Réglage Doux/déliçats (agitation lente ou temps de lavage réduit)
		Ne pas laver à la machine
		Ne pas tordre
Température de l'eau	...	Hot (Chaude)
	..	Warm (Tiède)
	.	Froide
Symboles pour blanchissage		Tout javellisant (au besoin)
		Seulement un javellisant non chloré (au besoin)
		Ne pas utiliser de javellisant

Chargement de la laveuse

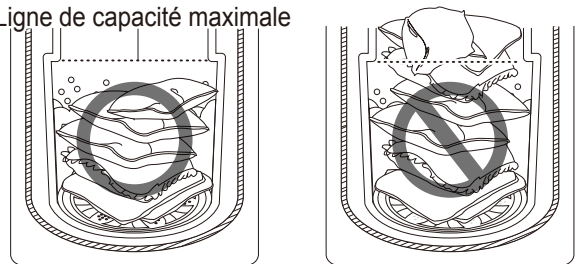
- Vérifiez et videz les poches. Les trombones, les pièces de monnaie, les allumettes, etc. peuvent endommager les vêtements et la laveuse.
- Fermez les fermetures à glissière et les agrafes, et attachez les cordons pour les empêcher de s'accrocher ou de s'emmêler aux autres vêtements.
- Prétraitez les taches tenaces pour obtenir de meilleurs résultats.
- Combinez les articles grands et petits dans une brassée. Mettez les grands articles en premier. Les grands articles ne doivent pas représenter plus de la moitié de la brassée totale.
- Lavez les articles épais et lourds individuellement. Les couvertures épaisses, les duvets, les couvre-lits ou les lits des animaux risquent de s'emmêler ou de déséquilibrer la brassée si on les combine avec d'autres articles.
- La cuve de la laveuse peut être remplie au maximum de sa capacité, mais son contenu ne doit pas être comprimé. Le couvercle (porte) de la laveuse doit se fermer facilement.



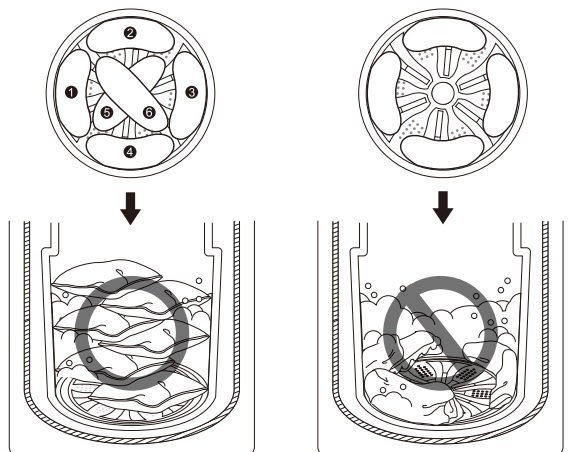
- Ne lavez pas un petit article seul. Ajoutez 1 ou 2 articles semblables à la brassée pour éviter que la brassée soit déséquilibrée.
- Les vêtements ou les articles imperméables ou résistants à l'eau doivent être lavés à l'aide du cycle Imperméable seulement. (p. ex., les vêtements résistants à l'eau, les housses de matelas, les vêtements de plein air, les tapis en plastique, etc.) Autrement, cela pourrait causer des blessures ou des dommages à la laveuse, aux vêtements, aux murs, au plancher et aux objets environnants en raison de vibrations anormales.
- Lavez les petits articles légers dans un sac-filet. Les petits articles peuvent se coincer dans la roue de pompe se trouvant au fond de la cuve, et les crochets de soutien-gorge peuvent endommager d'autres articles ou la cuve.
- Brossez les vêtements très tachés pour enlever l'excès de terre, de poussière et de cheveux avant de les laver. La saleté ou le sable en excès risque d'user les autres tissus et de causer un lavage de mauvaise qualité.

- La laveuse ne se remplira pas si le couvercle (porte) est ouvert.
- Utilisez le cycle Literie pour les articles volumineux tels que les vestes en polyuréthane, les couettes, les oreillers, etc. Ces articles peuvent ne pas être aussi absorbants que d'autres articles de lessive et doivent être lavés séparément pour obtenir des résultats optimaux.
- Les articles volumineux doivent être placés tout au fond de la cuve pour obtenir des résultats optimaux. Placez toujours les articles flottants au fond de la cuve. La laveuse détectera automatiquement la taille de la brassée. En raison de la grande efficacité du système de lavage, le niveau d'eau peut ne pas recouvrir complètement la brassée.
- Ne surchargez pas la cuve. Les vêtements ne doivent pas être comprimés dans la cuve ni dépasser la ligne de remplissage maximal. Le fait d'excéder la ligne de remplissage maximal peut endommager les vêtements et la laveuse.
- Chargez les articles sans les comprimer et sans surcharger la cuve. Pour être bien nettoyés, les articles doivent circuler librement dans la cuve.
- Ne compressez pas les articles lorsque vous les chargez dans la cuve.

Ligne de capacité maximale



- Pour de meilleurs résultats, chargez les vêtements dans l'appareil comme illustré.



Ajout de produits de nettoyage

À propos des distributeurs

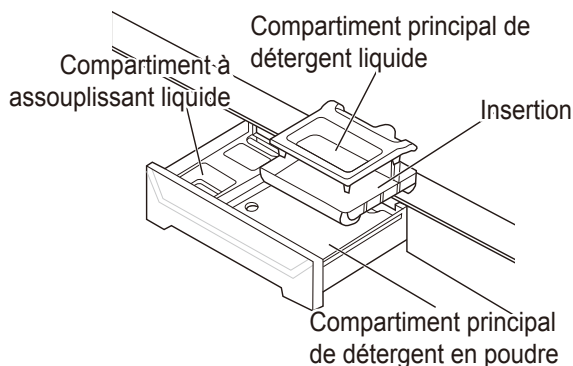
Le distributeur automatique se compose de deux compartiments qui contiennent :

- L'assouplissant liquide pour tissus;
- Le détergent liquide ou en poudre pour le lavage principal.

Utilisation du distributeur de détergent et d'assouplissant

Pour ajouter le détergent et l'assouplissant au distributeur automatique :

- 1 Ouvrez le tiroir du distributeur.
- 2 Versez les produits pour la lessive dans les compartiments appropriés.



- 3 Fermez le tiroir complètement avant de lancer le cycle.
 - Veillez à ne pas vous coincer la main dans le tiroir lorsque vous le fermez.



MISES EN GARDE

- Ne placez pas et ne rangez pas de produits de lessive tels que du détergent, du javellisant ou de l'assouplissant liquide au-dessus de l'appareil. Essayez tout dégât immédiatement. Ces produits peuvent endommager la finition et les commandes de l'appareil.

REMARQUE

- Il est normal qu'une petite quantité d'eau demeure dans les compartiments du distributeur à la fin du cycle.

Compartiment à détergent de lavage principal

Ce compartiment contient le détergent à lessive utilisé pour le cycle de lavage principal. Le détergent placé dans ce compartiment peut être liquide ou en poudre. Le détergent est ajouté à la brassée au début du cycle. Utilisez toujours un détergent HE (haute efficacité) avec votre laveuse.

REMARQUE

- Ne dépassez jamais les recommandations du fabricant quand vous ajoutez du détergent. Utiliser trop de détergent peut causer une accumulation de détergent sur vos vêtements et dans la laveuse.
- Lorsque vous utilisez du détergent liquide, assurez-vous que le compartiment de détergent liquide et l'insertion sont en place. Ne dépassez pas la ligne de remplissage maximale.
- Lorsque vous utilisez du détergent en poudre, retirez l'insertion et le compartiment de détergent liquide du distributeur. Le détergent en poudre ne sera pas distribué si le compartiment de détergent liquide et l'insertion sont en place.
- L'utilisation d'un détergent qui ne se dissout pas rapidement ou d'un détergent de grande viscosité laissera des résidus qui vont obstruer le distributeur.

Compartiment à assouplissant

Ce compartiment contient l'assouplissant textile liquide, qui est automatiquement distribué pendant le cycle final de rinçage.

REMARQUE

- Ne dépassez pas les recommandations du fabricant lors de l'ajout d'assouplissant. Si vous utilisez trop d'assouplissant, vous risquez d'entraîner une accumulation de détergent dans les vêtements et la laveuse. Il est possible d'utiliser de l'assouplissant en poudre ou liquide.
- Respectez les recommandations du fabricant quand vous ajoutez un assouplissant. Ne dépassez pas la ligne de remplissage maximal. Utiliser trop d'assouplissant peut tacher vos vêtements.
- Diluez les assouplissants concentrés avec de l'eau tiède.
- Ne versez jamais l'assouplissant directement sur la brassée ou dans la cuve.

Utilisation du distributeur de javellisant liquide

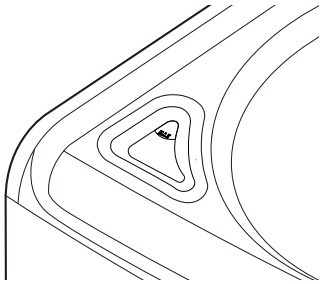
Le distributeur de javellisant est un compartiment séparé situé à l'avant, à gauche de l'ouverture de la cuve.

Type 1

Le distributeur de javellisant est raccordé à la vanne d'entrée. Le javellisant est automatiquement dilué et distribué en temps opportun au cours du cycle de lavage.

REMARQUE

- Le distributeur est activé deux fois pour assurer la distribution complète du javellisant. Le liquide restant dans le distributeur à la fin du cycle est de l'eau et non du javellisant.

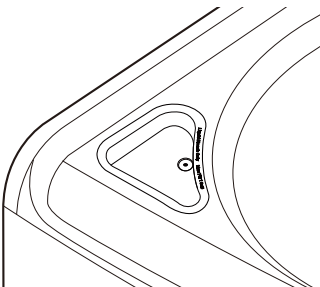


Type 2

- Lorsque vous versez du javellisant dans le distributeur de javellisant, le javellisant s'écoule directement dans la cuve. Pour éviter d'endommager vos vêtements, diluez le javellisant avant de le verser dans le distributeur de type 2.

REMARQUE

- Le couvercle du distributeur ne s'enlève pas. Pour nettoyer le couvercle, utilisez un essuie-tout humide.



- Vérifiez les étiquettes d'entretien des vêtements pour connaître les instructions spéciales.
- Mesurez soigneusement le javellisant liquide en suivant les instructions figurant sur la bouteille.
 - Les laveuses à haute efficacité utilisent moins d'eau, donc une quantité moindre de javellisant est nécessaire. Une demi-tasse est suffisante pour la plupart des brassées.
- Versez soigneusement la quantité prédéterminée de javellisant directement dans le distributeur correspondant.
 - Si vous utilisez du javellisant en poudre, versez-le directement dans la cuve avant d'ajouter la lessive. N'ajoutez jamais de javellisant en poudre au distributeur de javellisant liquide.



AVERTISSEMENTS

- Ne mélangez PAS de javellisant chloré avec de l'ammoniac ou des agents acides comme le vinaigre ou un produit pour enlever la rouille ou antitarte. Mélanger des produits chimiques comme ces derniers peut produire un gaz léthal, entraînant de graves blessures ou la mort.

REMARQUE

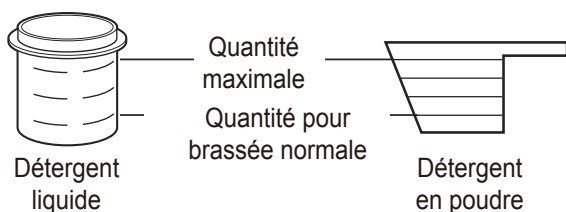
- N'ajoutez pas de javellisant en poudre dans ce distributeur. Le distributeur de javellisant est conçu pour distribuer du javellisant liquide seulement. Le javellisant non décolorant en poudre ou liquide ne sera pas distribué correctement.
- Ne placez pas d'articles sur le distributeur de javellisant lors du chargement et du déchargement de la laveuse.
- Suivez toujours les recommandations du fabricant lors de l'ajout de javellisant. Ne versez jamais plus d'une tasse et ne dépassez pas la ligne de remplissage maximal, car cela peut causer la distribution immédiate du javellisant, ce qui endommagera les tissus. L'utilisation d'une trop grande quantité de javellisant peut endommager les tissus.
- Ne versez jamais de javellisant au chlore liquide non dilué directement sur la brassée ou dans la cuve. Cela pourrait endommager les tissus.
- N'utilisez pas de javellisant sûr pour les couleurs ou des produits à base d'oxygène dans le même cycle avec un javellisant chloré.

- Usage du détergent
- Cette laveuse est conçue pour être utilisée seulement avec des détergents HE (haute efficacité). Les détergents HE produisent moins de bulles, se dissolvent plus efficacement pour améliorer le rendement de lavage et de rinçage, et gardent l'intérieur de la laveuse propre. L'utilisation d'un détergent qui n'est pas HE peut causer un excès de bulles et un rendement insatisfaisant pouvant provoquer des codes d'erreur, entraîner l'échec d'un cycle et endommager l'appareil.

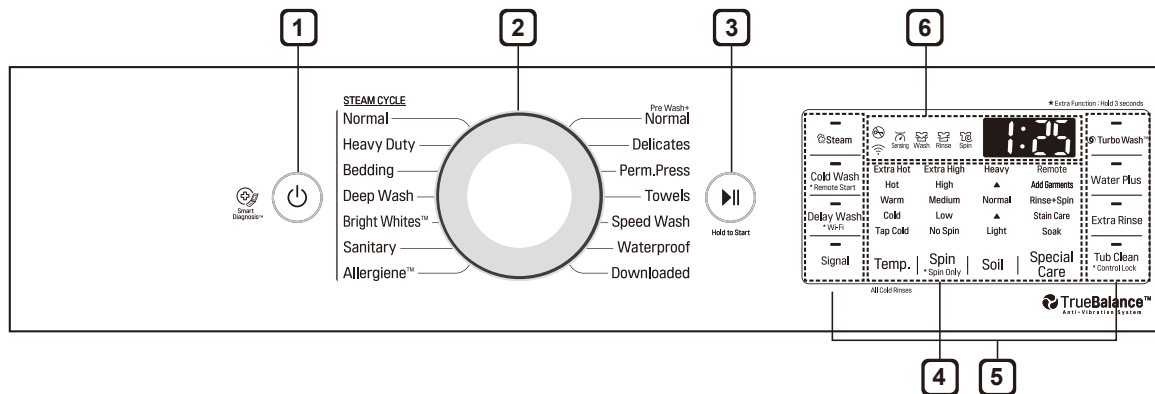


Conçue spécialement pour utiliser des détergents HE (haute efficacité) seulement

- Pour obtenir un rendement satisfaisant, mesurez toujours le détergent avec l'outil de mesure fourni par le fabricant du détergent. Pour une brassée moyenne, utilisez moins de la moitié de la quantité maximale recommandée. Utilisez moins de détergent avec de l'eau douce, des vêtements peu sales ou des petites brassées.
- N'utilisez jamais plus que la quantité maximale de détergent recommandée par le fabricant. L'utilisation d'une trop grande quantité de détergent peut entraîner une production excessive de mousse, un mauvais rinçage, une accumulation de détergent dans les vêtements et une accumulation de résidus qui peuvent contribuer aux odeurs dans l'appareil.
- Faites très attention lors de la mesure des détergents concentrés 2X et 3X puisque même une petite quantité supplémentaire peut entraîner des problèmes.
- Les détergents identifiés comme étant de haute efficacité ne donneront peut-être pas des résultats optimaux.
- N'utilisez pas plus d'une capsule de détergent dans la laveuse. Réduisez la quantité de détergent ou rincez les vêtements deux fois s'il y a un résidu de détergent sur les tissus. Pour rincer les vêtements deux fois, appuyez sur la touche Extra Rinse (Rinçage supplémentaire).



Panneau de contrôle



FRANÇAIS

Caractéristiques du panneau de commande

1 Marche/arrêt Bouton Marche/Arrêt

- Appuyez sur ce bouton pour mettre la laveuse sous tension. Appuyez à nouveau sur le bouton pour mettre la laveuse hors tension. Le fait d'appuyer sur le bouton Marche/Arrêt pendant un cycle annulera ce cycle, et les réglages de la brassée seront perdus. Le couvercle (porte) se déverrouillera après une courte pause.

REMARQUE

- S'il reste de l'eau dans la cuve après l'arrêt de la laveuse, elle sera évacuée après 4 minutes. La laveuse peut être redémarrée à tout moment avant le début de la vidange. Cependant, une fois que l'eau commence à être évacuée, toutes les fonctionnalités sont désactivées jusqu'à ce que l'eau soit complètement vidée et que la laveuse s'arrête.

2 Bouton de sélection de cycle

- Tournez ce bouton pour sélectionner le cycle désiré. Une fois que le cycle désiré a été sélectionné, les pré-réglages standards apparaissent sur l'afficheur. Ces réglages peuvent être ajustés à l'aide des boutons de modification de cycle à tout moment avant le début du cycle.

REMARQUE

- Pour protéger vos vêtements, certains réglages ne sont pas offerts pour tous les cycles sélectionnables.

3 Démarrer/pause Bouton

- Appuyez sur cette touche pour démarrer le cycle sélectionné. Si la sècheuse est en marche, appuyez sur ce bouton pour suspendre le cycle sans perdre les réglages sélectionnés.

REMARQUE

- Si le bouton **Démarrer/pause** n'est pas enfoncé dans les 60 minutes qui suivent la sélection d'un cycle, la laveuse s'éteint automatiquement et tous les réglages du cycle sont perdus. Toute eau restante dans la cuve sera évacuée.

4 Boutons de modification des cycles

- Utilisez ces boutons pour régler la température de l'eau, la vitesse d'essorage et le niveau de saleté pour le cycle sélectionné. Les paramètres sélectionnés sont affichés à l'écran. Le bouton de cette option permet de sélectionner d'autres paramètres.

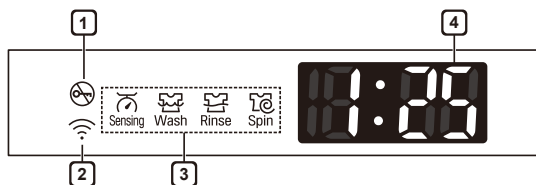
5 Boutons de cycle spécial et d'option

- Appuyez sur ces boutons pour sélectionner des cycles spéciaux ou des options de cycle supplémentaires. Certains boutons vous permettent également d'activer des fonctions spéciales lorsque vous appuyez sur ceux-ci pendant trois secondes.

6 Afficheur de temps et d'état

- L'afficheur illustre les réglages, le temps restant estimé, les options et les messages d'état de votre laveuse. Lorsque la laveuse est en fonction, les réglages par défaut s'illuminent sur l'afficheur.

Afficheur de temps et d'état



1 Témoin de verrouillage du couvercle (porte)

- Le témoin de porte verrouillée s'allume lorsqu'un cycle démarre. Le témoin reste allumé jusqu'à ce que le cycle soit suspendu, arrêté ou terminé.

2 Indicateur de connexion Wi-Fi

- Le voyant clignote pendant l'enregistrement du produit et la configuration Wi-Fi, et s'allume lorsque l'appareil est connecté à un réseau Wi-Fi domestique.

3 Indicateur d'état du cycle

- Ces voyants à DEL s'allument lorsqu'un cycle est sélectionné afin d'indiquer les différentes étapes qu'il comporte. Pendant un cycle, le voyant à DEL de l'étape en cours clignote et les voyants à DEL des autres étapes restent allumés.
- Lorsqu'une étape est terminée, le voyant à DEL s'éteint. Si un cycle est mis en pause, le voyant à DEL de l'étape en cours cesse de clignoter.

4 Temps restant estimé

- Lorsqu'un cycle est sélectionné, la durée par défaut de ce cycle est affichée. Cette durée changera si elle est modifiée ou si des options sont sélectionnées. Une fois le bouton **Démarrer/pause** enfoncé, la laveuse mesurera la taille de la brassée. La durée estimée peut changer lorsque la brassée aura été mesurée. Si la fonctionnalité **Delay Wash (Lavage différé)** est sélectionnée, un compte à rebours indique le temps restant avant que le cycle commence.

REMARQUE

- La durée affichée n'est qu'une estimation. Elle est calculée en fonction de conditions de fonctionnement normales. Plusieurs facteurs externes (comme la grosseur de la brassée, la température de la pièce, la température de l'eau entrante, etc.) peuvent modifier la durée réelle.

Cycles de lavage

Les cycles de lavage sont conçus pour offrir des résultats de lavage optimaux pour chaque type de brassée. Sélectionnez le cycle qui correspond le mieux au contenu de la brassée afin d'obtenir des résultats de lavage et un entretien des tissus optimaux. Pour obtenir des résultats optimaux, consultez la section Tri des articles et respectez les étiquettes d'entretien des tissus qui se trouvent sur vos articles. Pour obtenir un guide sur les symboles d'entretien des tissus, consultez la section Tri des articles.

Tournez le bouton ou appuyez sur le bouton pour sélectionner le cycle souhaité. Lorsque vous sélectionnez un cycle de lavage, le témoin correspondant au cycle s'allume.

REMARQUE

- Chaque fois que les poids des brassées sont mentionnés, considérez qu'une livre (0,45 kg) représente environ le poids d'une serviette de bain (sèche).

Cycle	Description	Remarque
Normal	Utilisez ce cycle pour laver tous les articles normaux, sauf les tissus délicats comme la laine ou la soie. Type de tissu : coton, lin, chemises, jeans, brassées mixtes	<ul style="list-style-type: none"> • Si vous appuyez sur le bouton Démarrer/pause sans sélectionner un cycle, le cycle Normal commencera immédiatement en utilisant les réglages par défaut.
Heavy Duty (Haut rendement)	Ce cycle sert à laver les vêtements très sales en utilisant de mouvements de lavage plus puissants. Type de tissu : tissus en coton très sales	<ul style="list-style-type: none"> • Lors du lavage de grosses brassées, afin d'offrir un rendement optimal, il y aura de brèves périodes de deux minutes ou plus sans agitation. Ces périodes de trempage font partie du fonctionnement du cycle et sont normales.
Bedding (Literie)	Ce cycle sert à laver les couvertures et les articles lourds. Type de tissu : articles volumineux tels que les couvertures, les couettes et les draps	<ul style="list-style-type: none"> • N'utilisez pas ce cycle pour laver une brassée mixte de literie et d'articles autres que de la literie. • Utilisez ce cycle pour les articles tels que les oreillers, les couettes, la literie pour animaux de compagnie et les autres articles qui absorbent difficilement l'eau. • Ne lavez pas d'articles très volumineux. Si les articles volumineux et encombrants ne rentrent pas facilement dans la cuve, ils pourraient ne pas se déplacer correctement pendant le lavage. • Rassemblez les articles similaires et ne mélangez pas des articles volumineux avec des vêtements plus petits.
Deep Wash (Lavage en profondeur)	Utilisez ce cycle pour ajouter de l'eau et laver les articles mixtes très sales, à l'exception des tissus délicats.	-
Bright Whites^{MC}	Ce cycle sert à laver les articles blancs seulement. Type de tissu : sous-vêtements, taies d'oreiller, draps, vêtements de bébé. (Moins de 12 lb.)	-
Sanitary (Eau bouillante)	Ce cycle de lavage élimine 99,9 % des bactéries se retrouvant sur les vêtements grâce à la haute température. Type de tissu : tissus blancs	-

Cycle	Description	Remarque
Allergiene^{MC}	Ce cycle puissant et à température élevée est conçu spécialement pour réduire certains allergènes. Type de tissu : sous-vêtements, vêtements de travail, couches, etc., très souillés. (Moins de 11 lb.)	<ul style="list-style-type: none"> • La sélection du cycle Allergiene^{MC} incorpore automatiquement de la vapeur dans le cycle de lavage. • Le cycle Allergiene^{MC} peut réduire de façon importante les allergènes dans la literie et les vêtements. • Le cycle Allergiene^{MC} contribue à réduire les populations d'acariens et les allergènes. • En raison de la plus grande énergie et de la haute température utilisées, le cycle Allergiene^{MC} n'est pas recommandé pour la laine, la soie, le cuir ou tout autre matériau délicat ou sensible à la température.
Pre Wash+Normal (Pré lavage+Normal)	Utilisez ce cycle pour prélever les taches sans avoir à les laver à la main. Un traitement rapide aide à prévenir l'imprégnation des taches ou le développement des odeurs.	<ul style="list-style-type: none"> • Lorsque le signal sonore retentit, appuyez sur le bouton Démarrer/pause pour déverrouiller le couvercle, ajoutez le détergent principal au distributeur, puis ajoutez le reste des articles. Si vous n'appuyez pas sur le bouton Démarrer/pause dans un délai de trois minutes, le cycle se poursuit. (Si le voyant Signal (Tonalité) est éteint, le signal sonore ne retentira pas.)
Delicates (Déliçats)	Ce cycle sert à laver la lingerie ou les vêtements transparents et en dentelle qui peuvent facilement être endommagés. Type de tissu : chemises habillées, chemisiers, bas de nylon, vêtements transparents ou dentelle (moins de 8 lb)	-
Perm.Press (Tissus infroissables)	Utilisez ce cycle pour laver notamment des vêtements ou des nappes infroissables pour minimiser le froissement. Type de tissu : chemises/pantalons habillés, vêtements infroissables, vêtements faits en polyester-coton, nappes	-
Towels (Serviettes)	Utilisez ce cycle pour laver les serviettes, les chemises, les jeans et les brassées mixtes. Type de tissu : grandes serviettes, petites serviettes	-
Speed Wash (Lavage rapide)	Utilisez le cycle Lavage rapide pour laver rapidement des vêtements légèrement sales et des petites brassées. Pour une efficacité de lavage et de rinçage élevée, il est conseillé de laver de petites brassées de 2 à 3 vêtements légèrement sales. Type de tissu : articles légèrement sales et petites brassées	<ul style="list-style-type: none"> • Utilisez très peu de détergent lorsque vous sélectionnez ce cycle. Si vous souhaitez faire un rinçage supplémentaire, vous pouvez ajouter des rinçages en utilisant le bouton Extra Rinse (Rinçage supplémentaire).

Cycle	Description	Remarque
<p>Waterproof (Imperméable)</p>	<p>Ce cycle est utilisé pour le lavage des matériaux imperméables. Type de tissu : articles imperméables tels que les vêtements résistants à l'eau, les housses de matelas, les vêtements de plein air et les tapis en plastique (moins de 14 lb)</p>	<ul style="list-style-type: none"> • N'utilisez aucun autre cycle de lavage pour laver les tissus imperméables. • N'utilisez pas ce cycle pour laver une brassée mixte d'articles imperméables et non imperméables. • Consultez les instructions de lavage des articles avant d'utiliser ce cycle. • Ne lavez pas d'autres tissus à l'aide de ce cycle. <p>⚠ MISES EN GARDE</p> <ul style="list-style-type: none"> • Si des articles imperméables sont lavés à l'aide d'un autre cycle que le cycle Waterproof (Imperméable), cela pourrait causer des blessures ou endommager la laveuse, les vêtements, les murs, le plancher et les objets environnants en raison de vibrations anormales.
<p>Downloaded (Cycle téléchargé)</p>	<p>Si vous téléchargez un cycle en utilisant la fonction de téléchargement, il sera placé à la position Downloaded (Cycle téléchargé). Choisissez le cycle Downloaded (Cycle téléchargé) pour exécuter le nouveau cycle.</p>	<ul style="list-style-type: none"> • Le cycle par défaut dans cette position est celui de Petite brassée, utilisé pour les brassées normalement sales composées de seulement quelques articles. Le cycle Petite brassées peut aussi être téléchargé.

Guide sur les cycles

Cycle	Temp. (Température)	Spin (Vitesse d'essorage)	Soil (Saleté)	Soak (Trempage)	Stain Care (Traitement des taches)	Cold Wash (Lavage à l'eau froide)	Extra Rinse (Rinçage supplémentaire)	Water Plus (Plus d'eau)	Turbo Wash ^{MC}	Steam (Vapeur)
Normal	Extra Hot (Extra chaude)	Extra High (Très élevée)	Heavy (Très sale)							
	Hot (Chaude)	High (Élevée)								
	Warm (Tiède)	Medium (Moyenne)	Normal	●	●	●	●	●	●	●
	Cold (Eau froide)									
	Tap Cold (Eau froide du robinet)	No Spin (Aucun essorage)	Light (Peu sale)							
Heavy Duty (Haut rendement)		Extra High (Très élevée)	Heavy (Très sale)							
	Hot (Chaude)	High (Élevée)								
	Warm (Tiède)	Medium (Moyenne)	Normal	●	●		●	●	●	●
	Cold (Eau froide)	Low (Faible)								
	Tap Cold (Eau froide du robinet)	No Spin (Aucun essorage)	Light (Peu sale)							
Bedding (Lingerie)			Heavy (Très sale)							
	Hot (Chaude)									
	Warm (Tiède)	Medium (Moyenne)	Normal	●		●	●			●
	Cold (Eau froide)	Low (Faible)								
	Tap Cold (Eau froide du robinet)	No Spin (Aucun essorage)	Light (Peu sale)							
Deep Wash (Lavage en profondeur)		Extra High (Très élevée)	Heavy (Très sale)							
	Hot (Chaude)	High (Élevée)								
	Warm (Tiède)	Medium (Moyenne)	Normal	●			●	●		●
	Cold (Eau froide)	Low (Faible)								
	Tap Cold (Eau froide du robinet)	No Spin (Aucun essorage)	Light (Peu sale)							

● = option disponible, ■ = réglage par défaut

Cycle	Temp. (Température)	Spin (Vitesse d'essorage)	Soil (Saleté)	Soak (Trempage)	Stain Care (Traitement des taches)	Cold Wash (Lavage à l'eau froide)	Extra Rinse (Rinçage supplémentaire)	Water Plus (Plus d'eau)	Turbo Wash ^{MC}	Steam (Vapeur)
Bright Whites ^{MC}		Extra High (Très élevée)	Heavy (Très sale)							
	Hot (Chaude)	High (Élevée)								
	Warm (Tiède)	Medium (Moyenne)	Normal	●			●	●	●	●
		Low (Faible)								
		No Spin (Aucun essorage)	Light (Peu sale)							
Sanitary (Eau bouillante)	Extra Hot (Extra chaude)	Extra High (Très élevée)	Heavy (Très sale)							
		High (Élevée)								
		Medium (Moyenne)	Normal	●			●	●	●	●
		Low (Faible)								
		No Spin (Aucun essorage)	Light (Peu sale)							
Allergiene ^{MC}	Extra Hot (Extra chaude)	Extra High (Très élevée)	Heavy (Très sale)							
		High (Élevée)								
		Medium (Moyenne)	Normal				●	●		●
		Low (Faible)								
		No Spin (Aucun essorage)	Light (Peu sale)							

● = option disponible, ■ = réglage par défaut

Cycle	Temp. (Température)	Spin (Vitesse d'essorage)	Soil (Saleté)	Soak (Trempage)	Stain Care (Traitement des taches)	Cold Wash (Lavage à l'eau froide)	Extra Rinse (Rinçage supplémentaire)	Water Plus (Plus d'eau)	Turbo Wash ^{MC}	Steam (Vapeur)
Pre Wash+ Normal (Prélavage+ Normal)	Extra Hot (Extra chaude)	Extra High (Très élevée)								
	Hot (Chaude)	High (Élevée)								
	Warm (Tiède)	Medium (Moyenne)	Normal	●			●	●	●	
	Cold (Eau froide)	Low (Faible)								
	Tap Cold (Eau froide du robinet)	No Spin (Aucun essorage)	Light (Peu sale)							
Delicates (Déliçats)			Heavy (Très sale)							
	Warm (Tiède)		Normal	●			●	●		
	Cold (Eau froide)	Low (Faible)								
	Tap Cold (Eau froide du robinet)	No Spin (Aucun essorage)	Light (Peu sale)							
Perm.Press (Tissus infroissables)			Heavy (Très sale)							
		High (Élevée)								
	Warm (Tiède)	Medium (Moyenne)	Normal	●		●	●	●	●	
	Cold (Eau froide)	Low (Faible)								
	Tap Cold (Eau froide du robinet)	No Spin (Aucun essorage)	Light (Peu sale)							
Towels (Serviettes)		Extra High (Très élevée)	Heavy (Très sale)							
	Hot (Chaude)	High (Élevée)								
	Warm (Tiède)	Medium (Moyenne)	Normal	●	●	●	●	●	●	
	Cold (Eau froide)	Low (Faible)								
	Tap Cold (Eau froide du robinet)	No Spin (Aucun essorage)	Light (Peu sale)							

Cycle	Temp. (Température)	Spin (Vitesse d'essorage)	Soil (Saleté)	Soak (Trempage)	Stain Care (Traitement des taches)	Cold Wash (Lavage à l'eau froide)	Extra Rinse (Rinçage supplémentaire)	Water Plus (Plus d'eau)	Turbo Wash ^{MC}	Steam (Vapeur)
Speed Wash (Lavage rapide)		Extra High (Très élevée)	Heavy (Très sale)							
		High (Élevée)								
	Warm (Tiède)	Medium (Moyenne)	Normal	●			●	●	●	
	Cold (Eau froide)	Low (Faible)								
	Tap Cold (Eau froide du robinet)	No Spin (Aucun essorage)	Light (Peu sale)							
Waterproof (Imperméable)			Heavy (Très sale)							
	Warm (Tiède)		Normal				●	●		
	Cold (Eau froide)	Low (Faible)								
Downloaded (Cycle téléchargé) Par défaut : Petite brassée	Extra Hot (Extra chaude)	Extra High (Très élevée)	Heavy (Très sale)							
	Hot (Chaude)	High (Élevée)		●	●	●	●	●	●	●
	Warm (Tiède)	Medium (Moyenne)	Normal							
	Cold (Eau froide)	Low (Faible)								
	Tap Cold (Eau froide du robinet)	No Spin (Aucun essorage)	Light (Peu sale)							

● = option disponible, ■ = réglage par défaut

Boutons de modification des cycles

Chaque cycle possède des réglages par défaut qui sont sélectionnés automatiquement. Vous pouvez aussi personnaliser ces réglages en utilisant les boutons de modification des cycles (modificateurs). Appuyez sur le bouton du modificateur désiré jusqu'à ce que le témoin du réglage désiré s'allume. La laveuse règle automatiquement le niveau d'eau pour le type et la grosseur de la brassée pour obtenir les meilleurs résultats et atteindre une efficacité maximale. À cause de la nature de haute efficacité de ce produit, les niveaux d'eau pourraient être beaucoup plus bas que ce à quoi on s'attend. Cela est normal et ne compromet en rien le rendement du lavage/rinçage.

REMARQUE

- Dans le but de protéger vos vêtements, les cycles n'offrent pas tous les mêmes réglages (température de lavage, vitesse d'essorage, niveau de saleté et options). Un carillon retentira et le témoin à DEL ne s'allumera pas si une option n'est pas autorisée.

Extra Hot	Extra High	Heavy	Remote
Hot	High	▲	Add Garments
Warm	Medium	Normal	Rinse+Spin
Cold	Low	▲	Stain Care
Tap Cold	No Spin	Light	Soak
Temp.	Spin * Spin Only	Soil	Special Care

Temp. (Température)

Le bouton Temp. sélectionne la combinaison de température de lavage et de rinçage pour le cycle sélectionné.

- Appuyez sur le bouton **Temp. (Température)** jusqu'à ce que le témoin de l'option désirée soit allumé.
- Tous les rinçages se font à l'eau froide.

REMARQUE

- Sélectionnez la température appropriée pour le type de brassée que vous désirez laver. Suivez les instructions des étiquettes d'entretien des tissus sur les vêtements pour obtenir des résultats optimaux.

Spin (Vitesse d'essorage)

Les vitesses d'essorage plus élevées permettent d'extraire plus d'eau des vêtements, ce qui réduit le temps de séchage et permet d'économiser de l'énergie.

- Appuyez sur le bouton **Spin (Vitesse d'essorage)** jusqu'à ce que la vitesse souhaitée soit sélectionnée.
- Certains tissus, comme les tissus délicats, nécessitent une vitesse d'essorage plus lente. Pour protéger vos vêtements, les vitesses d'essorage ne sont pas toutes offertes pour tous les cycles.

Spin Only (Essorage seulement)

Utilisez cette option pour vider l'eau de la cuve et essorer le linge. Cette option peut être utilisée, par exemple, si le cycle de lavage est interrompu par une panne de courant. La vitesse d'essorage peut être réglée à l'aide de la touche **Spin (Vitesse d'essorage)**.

- 1 Appuyez sur le bouton de mise en **Marche/arrêt** pour mettre en marche la laveuse.
- 2 Maintenez la touche **Spin (Vitesse d'essorage)** enfoncée pendant trois secondes.
- 3 Appuyez sur le bouton **Spin (Vitesse d'essorage)** pour sélectionner la vitesse d'essorage désirée. La sélection de l'option **No Spin (Aucun essorage)** n'est pas autorisée.
- 4 Appuyez sur la touche **Démarrer/pause**.

Soil (Saleté)

Le réglage du niveau de saleté modifie les temps de cycle et les actions de lavage.

- Appuyez sur le bouton **Soil (Saleté)** jusqu'à ce que le niveau de saleté souhaité soit sélectionné.

REMARQUE

- Cette fonction nécessite plus de temps pour les brassées de vêtements très sales ou moins de temps pour les brassées légèrement sales.

Special Care (Soins spéciaux)

En appuyant sur le bouton **Special Care (Soins spéciaux)**, vous pourrez sélectionner des fonctionnalités supplémentaires, comme **Soak (Trempage)**, **Stain Care (Traitement des taches)** et **Rinse+Spin (Rinçage et essorage)**.

- Si vous appuyez sur le bouton **Special Care (Soins spéciaux)** avant de sélectionner un cycle, le cycle **Normal** sera automatiquement sélectionné par défaut avec la fonctionnalité **Soak (Trempage)**.

Fonctionnalité Soins spéciaux

Appuyez sur le bouton **Special Care (Soins spéciaux)** pour sélectionner des cycles spécialisés ou ajouter des fonctions aux cycles standard. Appuyez sur le bouton à plusieurs reprises pour alterner entre les fonctions disponibles.

REMARQUE

- Pour protéger vos vêtements, certaines options ne sont pas disponibles pour certains cycles.
- Si vous n'appuyez pas sur le bouton **Démarrer/pause** dans un délai de 60 minutes pour démarrer le cycle, la laveuse s'éteindra automatiquement et tous les réglages sélectionnés seront perdus.

Soak (Trempage)

Cette option permet d'ajouter un pré-trempage de 30 minutes avant le commencement du cycle sélectionné. Utilisez l'option **Soak (Trempage)** pour pré-tremper les vêtements et aider à éliminer les taches tenaces sur les tissus. À la fin du temps de pré-trempage, le cycle choisi commencera avec la même eau utilisée pour le trempage.

REMARQUE

- Vous ne pouvez pas sélectionner l'option **Soak (Trempage)** pour le cycle **Tub Clean (Nettoyage de la cuve)**.

Stain Care (Traitement des taches)

Utilisez cette option pour les brassées très sales nécessitant un meilleur traitement pour les taches. Lorsque vous sélectionnez **Stain Care (Traitement des taches)**, le cycle de lavage commence avec de l'eau tiède afin d'empêcher certains types de taches de s'incruster. Au fil du cycle, de l'eau chaude est ajoutée pour augmenter graduellement la température de l'eau et éliminer les taches qui requièrent un traitement à température élevée.

REMARQUE

- Cette option donne de meilleurs résultats avec les petites brassées (moins de 6 lb).
- Si vous sélectionnez **Stain Care (Traitement des taches)**, l'option **Cold Wash (Lavage à l'eau froide)** n'est pas disponible.

Rinse+Spin (Rinçage et essorage)

Sélectionnez cette option pour rincer et essorer une brassée séparément d'un cycle ordinaire. Cela peut être utile pour empêcher les nouvelles taches de s'incruster dans les tissus. Vous pouvez changer la vitesse d'essorage en appuyant sur le bouton **Spin (Vitesse d'essorage)**.

- 1 Appuyez sur le bouton **Marche/arrêt** pour allumer la laveuse.
- 2 Appuyez sur le bouton **Special Care (Soins spéciaux)** à plusieurs reprises, jusqu'à ce que l'option **Rinse+Spin (Rinçage et essorage)** soit sélectionnée.
- 3 Appuyez sur le bouton **Démarrer/pause**.

Fonctionnalité de vidange spéciale

Cette laveuse est équipée d'une fonctionnalité spéciale conçue pour que votre appareil soit aussi sûr que possible. Si la laveuse est mise en pause ou hors tension alors qu'il reste de l'eau dans la cuve, l'eau s'évacuera automatiquement après plusieurs minutes d'inactivité. Cela permet d'assurer la sécurité des enfants en réduisant la possibilité de présence d'eau dans la cuve.

Toute eau présente dans la cuve s'évacue automatiquement quatre minutes après l'arrêt de la laveuse. Si vous n'appuyez pas sur le bouton **Démarrer/pause** dans un délai de 60 minutes, la laveuse s'éteindra et tous les réglages seront perdus. De plus, toute l'eau se trouvant encore dans la cuve sera évacuée.

La laveuse peut être mise en marche ou redémarrée à tout moment avant le début du drainage. Cependant, une fois que la laveuse commence à se drainer, toutes les commandes et fonctionnalités seront désactivées jusqu'à ce que l'eau soit complètement vidée et que la laveuse s'arrête.

Add Garments (Ajouter des vêtements)

- Si vous avez oublié d'ajouter un article ou si vous devez retirer des objets comme des pièces de monnaie ou des clés après le début du cycle, le meilleur moment pour le faire est lorsque le voyant **Add Garments (Ajouter des vêtements)** est allumé. Une fois le voyant éteint, l'ajout de vêtements peut avoir une incidence sur le temps de cycle ou les performances de lavage.
- 1 Appuyez sur le bouton **Démarrer/pause**. Le cycle se met en pause et le couvercle (porte) se déverrouille.
 - 2 Ouvrez le couvercle (porte), ajoutez des vêtements ou enlevez les objets étrangers et refermez le couvercle (porte).
 - 3 Appuyez sur le bouton **Démarrer/pause** pour démarrer le cycle. Le cycle se poursuit automatiquement.

Boutons d'option

Votre laveuse offre plusieurs options de cycle supplémentaires qui personnalisent les cycles et répondent ainsi à vos besoins particuliers. Pour utiliser ces options, sélectionnez l'option désirée après avoir sélectionné le cycle désiré.

Après avoir sélectionné le cycle et les options désirés, appuyez sur le ou les boutons de l'option ou des options que vous voulez ajouter. Le bouton va s'allumer quand cette option est sélectionnée. Si l'option sélectionnée n'est pas disponible pour le cycle choisi, le carillon va résonner deux fois pour vous alerter et la DEL ne s'allumera pas.

REMARQUE

- Pour protéger vos vêtements, certaines options ne sont pas disponibles pour certains cycles.

Steam (Vapeur)

L'ajout de l'option **Steam (Vapeur)** à un cycle de lavage permet d'obtenir des performances de lavage supérieures. En utilisant de la vapeur chaude, les tissus bénéficient des avantages du lavage à l'eau très chaude.



AVERTISSEMENTS

- Ne touchez pas la porte pendant les cycles **Steam (Vapeur)**. La surface de la porte peut devenir très chaude. Avant d'ouvrir la porte, laissez le système de verrouillage du couvercle se déverrouiller.
- N'essayez pas de forcer le mécanisme de verrouillage de la porte ou de mettre les mains à l'intérieur de la laveuse pendant un cycle **Steam (Vapeur)**. La vapeur peut causer des brûlures importantes.

REMARQUE

- L'option **Steam (Vapeur)** ne peut pas être utilisée avec tous les cycles.
- L'option **Steam (Vapeur)** est automatiquement désélectionnée si l'option **Turbo Wash^{MC}** est sélectionnée pour les cycles **Normal**, **Heavy Duty (Haut rendement)**, **Sanitary (Eau bouillante)** et **Bright Whites^{MC}**.
- La vapeur peut ne pas être très visible pendant les cycles **Steam (Vapeur)**. C'est normal. Une trop grande quantité de vapeur pourrait endommager les vêtements.

- N'utilisez pas l'option **Steam (Vapeur)** avec les tissus délicats comme la laine, la soie ou les tissus qui se décolorent facilement.

Cold Wash (Lavage à l'eau froide)

Cette option économise l'énergie en utilisant de l'eau froide tout en augmentant la durée du lavage et du rinçage pour conserver le rendement du lavage.

REMARQUE

- L'ajout de cette option augmentera le temps de lavage de plusieurs minutes.
- Pour obtenir des résultats de lavage optimaux, sélectionnez cette option seulement lorsque vous lavez de petites brassées (moins de 8 livres).

Delay Wash (Lavage différé)

Lorsque vous avez sélectionné le cycle et les autres réglages, appuyez sur ce bouton pour retarder le début du cycle de lavage.

Chaque fois que vous appuyez sur le bouton, vous retardez le lavage d'une heure, et vous pouvez le retarder jusqu'à un maximum de 19 heures. Une fois que le délai de mise en marche souhaité est réglé, appuyez sur le bouton Démarrer/pause pour démarrer la mise en marche différée.

REMARQUE

- Si vous n'appuyez pas sur le bouton **Démarrer/pause** pour commencer la mise en marche différée, la laveuse s'éteindra automatiquement après 60 minutes et tous les réglages du cycle seront perdus.

Signal (Tonalité)

La laveuse joue une mélodie lorsque le cycle de lavage est terminé. Le volume de la mélodie peut être réglé à l'aide du bouton **Signal (Tonalité)**.

- Appuyez sur le bouton **Signal (Tonalité)** à plusieurs reprises pour régler le volume du signal.
- Le signal peut être activé ou désactivé. Lorsque le voyant à DEL du bouton s'éteint, le signal est désactivé. Le volume du signal peut être réglé à tout moment, tant que la laveuse est sous tension.

Turbo Wash^{MC}

L'ajout de l'option **Turbo Wash^{MC}** à un cycle en réduit la durée, tout en offrant des performances de lavage similaires à celles qu'offre ce cycle.

REMARQUE

- L'option **Turbo Wash^{MC}** ne peut pas être utilisée avec tous les cycles.
- L'option **Turbo Wash^{MC}** est activée par défaut pour les cycles **Normal**, **Pre Wash+Normal (Prélavage+Normal)** et **Speed Wash (Lavage rapide)**, mais l'option **Turbo Wash^{MC}** ne peut pas être désactivée pour le cycle normal seulement.

Water Plus (Plus d'eau)

Utilisez cette option afin d'ajouter de l'eau au cycle de lavage pour obtenir de meilleures performances de lavage (traitement des taches) pour les articles volumineux.

REMARQUE

- Si la laveuse atteint son niveau d'eau maximal, la sélection de l'option **Water Plus (Plus d'eau)** n'aura aucun effet.
- Pour ajouter de l'eau pendant qu'un cycle est en cours, mettez le cycle en pause avant d'appuyer sur **Water Plus (Plus d'eau)**.
- Si l'option **Water Plus (Plus d'eau)** est sélectionnée avec le cycle **Normal**, le cycle changera automatiquement pour le cycle **Deep Wash (Lavage en profondeur)**.

Extra Rinse (Rinçage supplémentaire)

Cette option ajoute un rinçage supplémentaire au cycle sélectionné. Utilisez cette option pour aider à éliminer les résidus de détergent ou de javellisant des tissus. L'assouplissant liquide, s'il est utilisé, est toujours distribué au cours du rinçage final.

- Appuyez deux fois sur le bouton **Extra Rinse (Rinçage supplémentaire)** pour ajouter deux autres rinçages au cycle.

REMARQUE

- Vous ne pouvez pas sélectionner l'option **Extra Rinse (Rinçage supplémentaire)** avec l'option **Spin Only (Essorage seulement)** et le cycle **Tub Clean (Nettoyage de la cuve)**.
- Si l'option **Extra Rinse (Rinçage supplémentaire)** est sélectionnée avec le cycle **Normal**, le cycle changera automatiquement pour le cycle **Deep Wash (Lavage en profondeur)**.

Tub Clean (Nettoyage de la cuve)

Utilisez ce cycle pour nettoyer la cuve de votre laveuse. Consultez la section Entretien.

Control Lock (Verrouillage des commandes)

Utilisez cette option pour désactiver les commandes. Cette fonctionnalité empêche les enfants de changer les cycles ou de faire fonctionner l'appareil. La fonctionnalité ne verrouille pas le couvercle (porte). Lorsque la fonctionnalité **Control Lock (Verrouillage des commandes)** est réglée, celle-ci doit être désactivée avant que les commandes puissent être utilisées, à l'exception du bouton **Marche/arrêt**. Une fois que la laveuse est éteinte, le bouton **Marche/arrêt** permettra de mettre l'appareil sous tension, mais les commandes seront toujours verrouillées. Lorsque les commandes sont verrouillées, s'affichera en alternance avec le temps restant estimé.

- Appuyez sur le bouton **Tub Clean (Nettoyage de la cuve)** pendant trois secondes pour activer ou désactiver la fonctionnalité **Control Lock (Verrouillage des commandes)**.

REMARQUE

- Une fois que les commandes sont verrouillées, elles doivent être déverrouillées manuellement pour reprendre le fonctionnement normal.

FONCTIONS INTELLIGENTES

Application LG SmartThinQ (pour le produit qui est doté du module LAN sans fil)

L'application LG SmartThinQ vous permet de communiquer avec l'appareil à l'aide d'un téléphone intelligent.

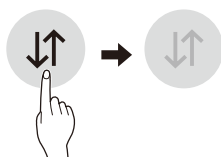
Avant d'utiliser l'application LG SmartThinQ

- Pour les électroménagers avec le logo  ou .

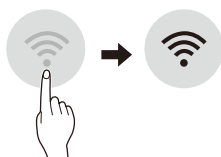
1 Utilisez un téléphone intelligent pour vérifier la force du signal du routeur sans fil (réseau Wi-Fi) à proximité de l'appareil.

- S'il y a une trop grande distance entre l'appareil et le routeur sans fil, l'intensité du signal s'affaiblit. L'enregistrement peut prendre du temps ou l'installation peut échouer.


2 Désactivez les **données mobiles** ou les **données cellulaires** sur votre téléphone intelligent.



3 Connectez votre téléphone intelligent au routeur sans fil.



REMARQUE

- Pour connaître l'état du réseau Wi-Fi, vérifiez que l'icône **Wi-Fi**  est allumée sur le panneau de configuration.
- L'appareil prend seulement en charge les réseaux Wi-Fi de 2,4 GHz. Pour vérifier la fréquence de votre réseau, contactez votre fournisseur de services Internet ou reportez-vous au manuel de votre routeur sans fil.

- LG SmartThinQ n'est pas responsable des problèmes de connexion au réseau ou des défauts, dysfonctionnements ou erreurs causés par la connexion au réseau.
- L'environnement sans fil peut causer un ralentissement du fonctionnement du réseau sans fil.
- Si l'appareil a des difficultés à se connecter au réseau Wi-Fi, il est peut-être trop loin du routeur. Procurez-vous un répéteur Wi-Fi (rallonge de portée) pour améliorer la force du signal Wi-Fi.
- La connexion réseau peut ne pas fonctionner correctement selon le fournisseur de services Internet.
- La connexion Wi-Fi peut ne pas se faire ou être interrompue à cause de l'environnement du réseau domestique.
- Si l'appareil ne peut pas être enregistré en raison de problèmes avec la transmission du signal sans fil, débranchez l'appareil et attendez environ une minute avant de réessayer.
- Si le pare-feu de votre routeur sans fil est activé, désactivez-le ou ajoutez-y une exception.
- Le nom du réseau sans fil (SSID) doit être une combinaison de lettres et de chiffres anglais. (N'utilisez pas de caractères spéciaux.)
- L'interface utilisateur (IU) du téléphone intelligent peut varier en fonction du système d'exploitation (SE) mobile et du fabricant.
- Si le protocole de sécurité du routeur est configuré sur **WEP**, la configuration du réseau peut échouer. Veuillez changer le protocole de sécurité (nous recommandons **WPA2**) et enregistrez le produit à nouveau.

Installation de l'application LG SmartThinQ

À partir d'un téléphone intelligent, cherchez l'application **LG SmartThinQ** dans la boutique Google Play ou l'App Store d'Apple. Suivez les directives pour télécharger et installer l'application.

Caractéristiques de l'application LG SmartThinQ

- Pour les électroménagers avec le logo  ou .

Cycle de lavage (Remote Start (Démarrage à distance), Downloaded (Cycle téléchargé))

Réglez ou téléchargez n'importe quel cycle et faites-le fonctionner à distance.

Instructions pour le nettoyage de la cuve

Cette fonctionnalité vous indique le nombre de cycles restant avant qu'il soit temps d'exécuter le cycle **Tub Clean (Nettoyage de la cuve)**.

Smart Diagnosis^{MC}

Cette fonction fournit des renseignements utiles pour diagnostiquer et résoudre les problèmes avec l'appareil en se basant sur le profil d'utilisation.

Surveillance de la consommation d'énergie

Le cycle et les options sélectionnés influencent la consommation d'énergie de l'appareil; celle-ci peut donc varier d'un cycle à l'autre.

Notifications poussées

Quand le cycle est terminé ou que l'appareil a des problèmes, vous avez l'option de recevoir des alertes instantanées sur un téléphone intelligent.

Paramètres

Définissez le surnom du produit et supprimez le produit.

REMARQUE

- Si vous changez de routeur sans fil, de fournisseur de services Internet ou de mot de passe, supprimez l'appareil enregistré de l'application **LG SmartThinQ**, puis enregistrez-le de nouveau.
- Cette information est à jour au moment de la publication. L'application est sujette à des modifications à des fins d'amélioration du produit, et ce, sans que l'utilisateur en soit préalablement avisé.

Utilisation d'un cycle de lavage

Remote Start (Démarrage à distance)

Utilisez un téléphone intelligent pour contrôler l'appareil à distance ou pour vérifier le temps restant au cycle.

Utilisation de Remote Start (Démarrage à distance)

- 1 Appuyez sur le bouton **Marche/arrêt**.
- 2 Placez les articles dans la cuve.
- 3 Appuyez sur le bouton **Remote Start (Démarrage à distance)** et maintenez-le enfoncé pendant trois secondes pour activer la fonction de démarrage à distance.
- 4 Démarrez un cycle à partir de l'application **LG SmartThinQ** sur votre téléphone intelligent.

REMARQUE

- Lorsque le mode **Remote Start (Démarrage à distance)** est activé, vous pouvez lancer un cycle à l'aide de l'application pour téléphone intelligent **LG SmartThinQ**. Si le cycle ne s'amorce pas, l'appareil retardera le démarrage jusqu'à ce que le cycle soit désactivé à distance à partir de l'application ou que le mode **Remote Start (Démarrage à distance)** soit désactivé.
- Lorsque **Remote Start (Démarrage à distance)** est activé, la porte est automatiquement verrouillée.

Désactivation de Remote Start (Démarrage à distance)

Lorsque la fonction de démarrage à distance est activée, appuyez sur le bouton **Remote Start (Démarrage à distance)** et maintenez-le enfoncé pendant trois secondes.

Downloaded (Cycle téléchargé)

Téléchargez des cycles nouveaux et spéciaux qui ne sont pas inclus parmi les cycles de base de l'appareil.

Les appareils qui ont été correctement enregistrés peuvent télécharger une variété de cycles de spécialité spécifiques à l'appareil.

On ne peut stocker qu'un seul cycle à la fois dans l'appareil.

Une fois le cycle téléchargé dans l'appareil, ce dernier le conserve jusqu'à ce qu'un nouveau cycle soit téléchargé.

Caractéristiques du module LAN sans fil

Modèle	LCW-004
Gamme de fréquences	2412 - 2462 MHz
Puissance de sortie (Max.)	< 30 dBm

Avis d'Industrie Canada (pour le module de transmission compris dans ce produit)

L'émetteur/récepteur exempt de licence contenu dans le présent appareil est conforme aux CNR d'Innovation, Sciences et Développement économique Canada applicables aux appareils radio exempts de licence. L'exploitation est autorisée aux deux conditions suivantes :

- (1) Cet appareil ne doit pas provoquer d'interférences.
- (2) Cet appareil doit accepter toutes les interférences, y compris celles pouvant entraîner son dysfonctionnement.

Énoncé d'IC concernant l'exposition à la radiation

Cet appareil est conforme aux limites d'exposition aux rayonnements d'Industrie Canada pour un environnement non contrôlé.

Cet appareil doit être installé et utilisé de façon à garder une distance minimale de 20 cm (7,8 pouces) entre la source de rayonnement et votre corps.

REMARQUE

- LE FABRICANT N'EST PAS RESPONSABLE DES INTERFÉRENCES RADIOÉLECTRIQUES CAUSÉES PAR DES MODIFICATIONS NON AUTORISÉES APPORTÉES À CET APPAREIL. DE TELLES MODIFICATIONS POURRAIENT ANNULER L'AUTORISATION ACCORDÉE À L'UTILISATEUR DE FAIRE FONCTIONNER L'APPAREIL.

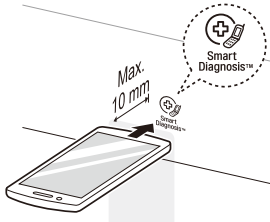
Informations sur les logiciels libres

Pour obtenir le code source conformément aux dispositions de la licence publique générale, de la licence publique générale limitée, de la licence publique Mozilla et de toute autre licence régissant les logiciels à code source libre contenus dans cet appareil, visitez le site <http://opensource.lge.com>. En plus du code source, toutes les dispositions de licence, les exonérations de garantie et les avis de droits d'auteurs peuvent aussi être téléchargés.

LG Electronics mettra également à votre disposition le code source libre sur CD-ROM pour un prix couvrant le coût de la distribution (coût du support, de l'expédition et de la manutention) sur simple demande par courriel à l'adresse opensource@lge.com. Cette offre est valable pendant une période de trois ans à compter de la date de la dernière distribution de ce produit. Cette offre est valide pour quiconque possède cette information.

Fonction Smart Diagnosis^{MC}

Si vous éprouvez des problèmes avec votre électroménager, celui-ci a la capacité de transmettre des données au Centre d'information à la clientèle de LG par l'intermédiaire de votre téléphone. Les modèles équipés de la technologie NFC ou du Wi-Fi peuvent également transmettre des données à un téléphone intelligent à l'aide de l'application **LG SmartThinQ**.



Smart Diagnosis^{MC} par le Centre d'information à la clientèle

- Pour les électroménagers avec le logo ou .

Cette méthode vous permet de parler directement à l'un de nos spécialistes formés. Le spécialiste enregistre les données transmises par l'appareil et les utilise pour analyser le problème, fournissant ainsi un diagnostic rapide et efficace.

- 1 Appelez le Centre d'information à la clientèle de LG Electronics au :
 - (LG États-Unis) 1 800 243-0000
 - (LG Canada) 1 888 542-2623
- 2 Quand le centre de service vous l'indique, placez la partie du téléphone dans laquelle vous parlez près de l'icône **Smart Diagnosis^{MC}**. N'appuyez pas sur les autres touches.
- 3 Maintenez le bouton **Temp. (Température)** enfoncé pendant trois secondes.
- 4 Gardez le téléphone en place jusqu'à la fin de la transmission.
 - Pour obtenir les meilleurs résultats, évitez de bouger le téléphone pendant la transmission sonore.
 - Si l'agent du centre de service n'a pas pu obtenir un enregistrement exact des données, il se peut qu'il vous demande d'essayer de nouveau.

- 5 Une fois le décompte terminé et la tonalité arrêtée, reprenez la conversation avec l'agent du centre de service, qui sera alors en mesure de vous aider grâce aux données transmises pour l'analyse.

REMARQUE

- La fonction **Smart Diagnosis^{MC}** ne peut être activée que si l'appareil peut être mis sous tension à l'aide de la touche **Marche/arrêt**. Si l'appareil ne peut pas être mis sous tension, le dépannage doit être effectué sans utiliser la fonction **Smart Diagnosis^{MC}**.
- Pour obtenir les meilleurs résultats, évitez de bouger le téléphone pendant la transmission sonore.
- Si l'agent du centre de service n'a pas pu obtenir un enregistrement exact des données, il se peut qu'il vous demande d'essayer de nouveau.
- La fonction **Smart Diagnosis^{MC}** dépend de la qualité de l'appel local.
- Une mauvaise télécommunication peut entraîner une piètre transmission de données entre votre téléphone et le centre d'appels, de sorte que le **Smart Diagnosis^{MC}** risque de ne pas fonctionner correctement.

Application LG SmartThinQ Smart Diagnosis^{MC}

- Pour les électroménagers avec le logo ou .

Utilisez la fonction Smart Diagnosis de l'application **LG SmartThinQ** pour vous aider à diagnostiquer les problèmes avec l'appareil sans l'assistance du Centre d'information à la clientèle de LG.

Suivez les instructions de l'application **LG SmartThinQ** pour effectuer un diagnostic intelligent à l'aide de votre téléphone intelligent.

REMARQUE

- La fonction **Smart Diagnosis^{MC}** ne peut être activée que si l'appareil peut être mis sous tension à l'aide de la touche **Marche/arrêt**. Si l'appareil ne peut pas être mis sous tension, le dépannage doit être effectué sans utiliser la fonction **Smart Diagnosis^{MC}**.

ENTRETIEN

⚠ AVERTISSEMENTS

Pour réduire le risque d'incendie, de décharge électrique ou de blessures, lisez tout le manuel d'utilisation, y compris les consignes de sécurité importantes, avant d'utiliser la laveuse.

- Débranchez la laveuse avant de la nettoyer pour éviter le risque de décharge électrique. Le non-respect de cet avertissement peut causer des blessures graves, un incendie, une décharge électrique ou la mort.
- N'utilisez pas de substances volatiles (benzène, diluant à peinture, alcool, acétone, etc.), de nettoyeurs abrasifs ou de détergents contenant des composants chimiques forts lors du nettoyage de la laveuse. Vous risqueriez de provoquer une décoloration, d'endommager l'appareil ou de provoquer un incendie.
- Certaines pièces internes qui intentionnellement ne sont pas mises à la terre posent un risque de décharge électrique durant l'entretien seulement. Remarque à l'intention du personnel d'entretien – Évitez tout contact avec les pièces suivantes lorsque l'appareil est sous tension : la pompe, le moteur, le couvercle du filtre coupe-vent et l'élément chauffant (pour les modèles concernés).

Nettoyage régulier

Entretien après un lavage

À la fin du cycle, essuyez le couvercle (porte) et l'intérieur du joint d'étanchéité du couvercle (porte) pour enlever l'humidité.

- Laissez le couvercle (porte) ouvert pour faire sécher l'intérieur de la cuve.
- Essuyez le bâti de la laveuse avec un linge sec pour enlever l'humidité.

Nettoyage de l'extérieur

Bien entretenir votre laveuse peut prolonger sa durée de vie.

Couvercle (porte) :

Laver avec un linge humide l'extérieur et l'intérieur, et assécher ensuite avec un linge doux.

Extérieur :

- Essuyez immédiatement toute éclaboussure.
- Essuyez avec un linge humide.
- Ne touchez pas la surface ou l'écran avec des objets coupants.

Entretien et nettoyage de l'intérieur

- À l'aide d'une serviette ou d'un chiffon doux, essuyez le contour de l'ouverture du couvercle (porte) ainsi que la vitre du couvercle (porte).
- Retirez toujours les articles de la laveuse aussitôt que le cycle est terminé. Laisser des articles humides dans la laveuse peut causer des plis, le transfert de couleurs et des odeurs.

- Utilisez le cycle de nettoyage de la cuve une fois par mois, ou plus souvent si nécessaire, pour éliminer l'accumulation de détergent et autres résidus.

Nettoyage de la cuve

Au fil du temps, des résidus peuvent s'accumuler dans la cuve, ce qui peut générer de la moisissure ou une odeur de moisi. Exécutez le cycle **Tub Clean (Nettoyage de la cuve)** chaque mois pour éliminer les résidus et prévenir les odeurs. Exécutez le cycle plus souvent en cas d'utilisation intensive ou si des odeurs sont déjà présentes.

- 1 Retirez tous les articles qui se trouvent dans la cuve.
- 2 Ajoutez des agents de nettoyage.

Nettoyant	Instructions
Nettoyant pour cuve	Suivez les recommandations du fabricant.
Produit détartrant	
Javellisant chloré liquide	Ajoutez-le au distributeur principal de détergent liquide.
Nettoyant en poudre	Suivez les recommandations du fabricant.
Pastilles nettoyantes	Placez-les directement dans la cuve de la laveuse.

- Pour les autres produits de nettoyage de la cuve, suivez les instructions et les recommandations du fabricant du nettoyant.
- Ne dépassez pas la ligne de remplissage maximal lorsque vous ajoutez du javellisant ou du nettoyant en poudre. Les nettoyants en poudre peuvent rester dans la cuve après le nettoyage.

- 3 Fermez le couvercle (porte) et appuyez sur le bouton **Marche/arrêt** pour mettre la laveuse sous tension.
- 4 Tournez le bouton ou appuyez sur les boutons de cycle pour sélectionner le cycle **Tub Clean (Nettoyage de la cuve)**, puis appuyez sur le bouton **Démarrer/pause** pour lancer le cycle.
- 5 À la fin du cycle, ouvrez le couvercle (porte) et laissez l'intérieur de la cuve sécher complètement.

REMARQUE

- Ne placez jamais d'articles dans la cuve pendant l'utilisation du cycle **Tub Clean (Nettoyage de la cuve)**. Les articles pourraient être endommagés ou contaminés par les produits de nettoyage. Assurez-vous d'exécuter le cycle **Tub Clean (Nettoyage de la cuve)** seulement lorsque la cuve est vide.
- Laissez le couvercle (porte) ouvert après avoir terminé la lessive afin de garder la cuve propre.
- Le cycle **Tub Clean (Nettoyage de la cuve)** devrait être lancé chaque mois.
- Si de la moisissure ou des odeurs sont déjà présentes, exécutez le cycle **Tub Clean (Nettoyage de la cuve)** une fois par semaine pendant trois semaines consécutives.
- Ne dépassez pas la quantité recommandée par le fabricant lorsque vous ajoutez du javellisant ou du nettoyant en poudre. Le nettoyant en poudre peut rester dans la cuve après le nettoyage.

Nettoyage des dépôts minéraux

Si votre eau est dure, des dépôts minéraux peuvent s'accumuler sur les composants internes de la laveuse. Nettoyez régulièrement les dépôts minéraux sur les composants internes pour prolonger la durée de vie de la laveuse. L'utilisation d'un adoucisseur d'eau est recommandée si votre eau est dure.

- Utilisez un produit détartrant pour enlever les dépôts minéraux visibles sur la cuve de la laveuse.
- Après chaque détartrage, démarrez toujours le cycle **Tub Clean (Nettoyage de la cuve)** avant de laver des vêtements.
- L'accumulation de minéraux et les autres taches peuvent être enlevées de la cuve en acier inoxydable à l'aide d'un chiffon doux trempé dans un nettoyant pour acier inoxydable.
- N'utilisez pas de laine d'acier ni de nettoyants abrasifs.

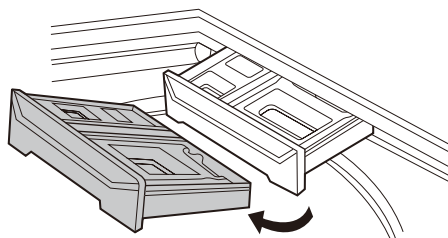
Laisser le couvercle (porte) ouvert

- Si vous prévoyez ne pas utiliser la laveuse pendant plusieurs jours, laissez le couvercle (porte) ouvert pendant la nuit pour permettre à la cuve de sécher.

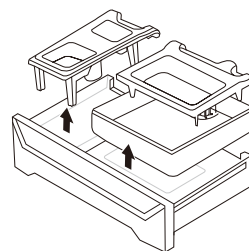
Nettoyage du tiroir du distributeur

Du détergent et de l'assouplissant peuvent s'accumuler dans le tiroir du distributeur. Retirez le tiroir et les insertions, et vérifiez s'il y a de l'accumulation une ou deux fois par mois.

- 1 Retirez le tiroir en le tirant jusqu'à ce qu'il s'arrête. Soulevez l'avant du tiroir et retirez-le complètement.



- 2 Retirez les insertions des deux compartiments.



- 3 Nettoyez les insertions et le tiroir à l'eau chaude.
 - Utilisez un linge doux ou une brosse pour le nettoyage et pour enlever tous les résidus.

⚠ AVERTISSEMENTS

- Ne vaporisez pas d'eau à l'intérieur de la laveuse. Vous risqueriez de provoquer un incendie ou une décharge électrique.
- 4 Essuyez toute trace d'humidité avec une serviette ou un linge sec après le nettoyage.
 - 5 Nettoyez la cavité de l'ouverture du tiroir avec une petite brosse non métallique. Retirez tous les résidus logés dans les parties supérieures et inférieures de la cavité.
 - 6 Remplacez les insertions dans les compartiments appropriés et remettez le tiroir en place.
 - Placez le tiroir dans l'ouverture en angle, puis abaissez-le et glissez-le en place.

REMARQUE

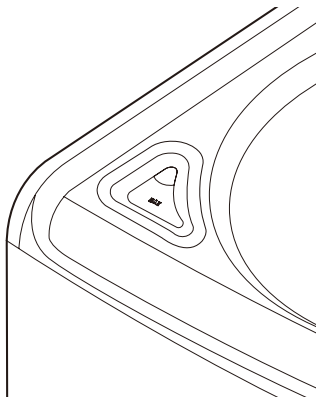
- Si vous utilisez un détartrant ou un nettoyeur pour cuve pendant le cycle **Tub Clean (Nettoyage de la cuve)**, utilisez l'option **Rinse+Spin (Rinçage et essorage)** pour rincer la cuve de la laveuse avant de commencer votre prochain cycle de lavage.

Nettoyage du distributeur de javellisant

Du javellisant peut s'accumuler sur le couvercle du distributeur de javellisant. Vérifiez si c'est le cas et nettoyez le couvercle une ou deux fois par mois, le cas échéant.

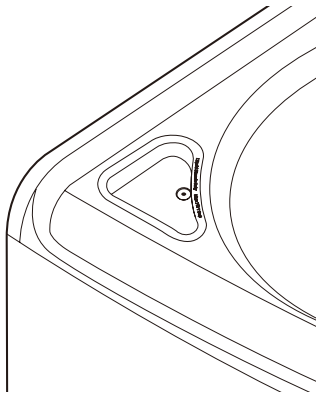
Type 1

Retirez le couvercle du distributeur de javellisant. Nettoyez le couvercle et l'ouverture avec de l'eau chaude.



Type 2

Le couvercle ne s'enlève pas du distributeur. Nettoyez le couvercle avec une brosse et de l'eau chaude.



Nettoyage des filtres d'entrée d'eau

Si la laveuse ne se remplit pas correctement, un code d'erreur est affiché à l'écran. Les filtres d'entrée d'eau sont peut-être bouchés par des dépôts minéraux causés par de l'eau dure, des sédiments ou d'autres débris provenant du système d'approvisionnement en eau.

⚠ MISES EN GARDE

- Les filtres d'entrée d'eau protègent les parties fragiles de la soupape d'entrée d'eau contre les particules qui pourraient pénétrer dans la soupape. Faire fonctionner la laveuse sans ces filtres peut faire en sorte que la soupape soit bloquée en position ouverte, ce qui pourrait causer une inondation et des dommages matériels.
- N'utilisez pas la laveuse sans les filtres d'entrée d'eau. Utiliser la laveuse sans les filtres d'entrée d'eau peut causer des fuites et le mauvais fonctionnement de l'appareil.
- Si votre eau est dure, les filtres d'entrée d'eau pourraient devenir bouchés par l'accumulation de minéraux.

- 1 Fermez complètement les deux robinets.
- 2 Dévissez les boyaux d'eau chaude et d'eau froide de l'arrière de la laveuse.
- 3 Retirez les filtres des soupapes d'eau avec précaution.
- 4 Enlevez les objets étrangers et faites tremper les filtres dans du vinaigre blanc ou dans un produit détartrant.
 - Si vous utilisez un produit détartrant, suivez les directives du fabricant. Faites bien attention de ne pas endommager les filtres en les nettoyant.
- 5 Rincez les filtres abondamment et remettez-les en place en appuyant dessus.
- 6 Purgez et raccordez ensuite les boyaux d'eau.
 - Avant de raccorder les boyaux, purgez les boyaux et les conduites d'eau en faisant couler plusieurs gallons d'eau dans une chaudière ou un drain, préférablement avec les robinets complètement ouverts pour obtenir une pression d'eau maximale.

REMARQUE

- Le message ! E peut clignoter sur l'afficheur lorsque la pression de l'eau est faible ou qu'un filtre d'entrée est obstrué par de la saleté. Nettoyez le filtre d'entrée.

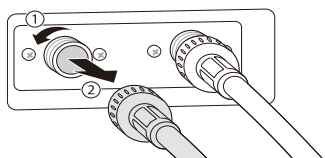
Entretien dans les climats froids

Entreposage de la laveuse

Si vous ne comptez pas utiliser la laveuse pendant une longue période et qu'elle est dans un lieu qui pourrait être exposé à des températures sous le point de congélation, suivez les étapes suivantes pour protéger la laveuse.

Assurez-vous que la cuve est vide avant de suivre ces étapes.

- 1 Fermez complètement l'arrivée d'eau.
- 2 Déconnectez les boyaux des robinets et videz l'eau des boyaux.



- 3 Branchez le cordon d'alimentation sur une prise électrique correctement mise à la terre.
- 4 Versez 1 gallon d'antigel non toxique pour véhicules récréatifs (VR) à la cuve vide et fermez le couvercle (porte). N'utilisez jamais d'antigel pour véhicules automobiles.
- 5 Appuyez sur le bouton **Marche/arrêt**, sélectionnez ensuite **Spin (Vitesse d'essorage)**.
- 6 Appuyez sur le bouton **Démarrer/pause** pour activer la pompe d'évacuation.
- 7 Laissez la pompe d'évacuation fonctionner pendant une minute et appuyez ensuite sur le bouton **Marche/arrêt** pour éteindre la laveuse. Cette procédure évacue une partie du produit antigel, mais en laisse assez pour protéger la laveuse contre le gel.
- 8 Débranchez le cordon d'alimentation, essuyez l'intérieur de la cuve avec un chiffon doux et fermez le couvercle (porte).
- 9 Entreposez la laveuse à la verticale.
- 10 Enlevez les insertions du distributeur. Évacuez toute l'eau qui reste dans les compartiments et laissez-les sécher.
- 11 Pour retirer le produit antigel de la laveuse après l'entreposage, faites un cycle **Speed Wash (Lavage rapide)** complet avec du détergent.
 - N'ajoutez pas de vêtements pour ce cycle.

Quand les conduites d'eau sont gelées

- 1 Fermez les robinets sur lesquels les conduites d'eau sont connectées.
- 2 Versez de l'eau chaude sur les robinets gelés pour dégeler les conduites d'eau, puis enlevez-les.
- 3 Immergez les conduites d'eau dans de l'eau chaude pour les faire fondre.
- 4 Connectez les conduites d'eau aux entrées d'eau de la laveuse et aux robinets.
- 5 Consultez la section **Raccordement des conduites d'eau** pour plus de détails.
- 6 Ouvrez les robinets.
- 7 Appuyez sur le bouton **Marche/arrêt**.
- 8 Appuyez plusieurs fois sur le bouton **Special Care (Soins spéciaux)** pour sélectionner le cycle **Rinse+Spin (Rinçage et essorage)**.
- 9 Appuyez sur le bouton **Démarrer/pause**. Vérifiez si l'eau arrive correctement.

Quand les boyaux d'évacuation sont gelés

- 1 Versez de l'eau chaude dans la cuve de la laveuse et fermez le couvercle (porte). Attendez une à deux heures.
- 2 Appuyez sur le bouton **Marche/arrêt** après la décongélation.
- 3 Appuyez plusieurs fois sur le bouton **Special Care (Soins spéciaux)** pour sélectionner le cycle **Rinse+Spin (Rinçage et essorage)**.
- 4 Appuyez sur le bouton **Démarrer/pause**. Vérifiez que l'eau est bien évacuée.

DÉPANNAGE

Avant d'appeler le réparateur

La laveuse est dotée d'un système de surveillance automatique des erreurs qui détecte et diagnostique très tôt les problèmes. Si la laveuse ne fonctionne pas correctement ou ne fonctionne pas du tout, vérifiez ce qui suit avant d'appeler un technicien.

Codes d'erreur

Problème	Causes possibles et solutions
UE	<p>Si le rééquilibrage de la brassée n'a pas fonctionné, ce code d'erreur est affiché.</p> <ul style="list-style-type: none"> • La tentative automatique de rééquilibrage de brassée n'a pas fonctionné. Le cycle est suspendu pour vous permettre de redistribuer la brassée manuellement.
	<p>La brassée est trop petite.</p> <ul style="list-style-type: none"> • Des articles supplémentaires devront peut-être être ajoutés à de petites brassées pour permettre à la laveuse d'équilibrer la brassée.
	<p>Des articles lourds sont mélangés avec des articles légers.</p> <ul style="list-style-type: none"> • La brassée comporte peut-être un mélange d'articles lourds et d'articles légers. Essayez toujours de laver des articles d'un poids similaire pour permettre à la laveuse de distribuer la charge uniformément durant l'essorage.
	<p>La brassée est déséquilibrée.</p> <ul style="list-style-type: none"> • Redistribuez manuellement la brassée si les articles se sont enchevêtrés et empêchent le bon fonctionnement du rééquilibrage automatique.
IE	<p>Les robinets d'entrée d'eau ne sont pas complètement ouverts.</p> <ul style="list-style-type: none"> • Assurez-vous que les robinets d'entrée d'eau sont complètement ouverts.
	<p>Les boyaux d'entrée d'eau sont écrasés ou pincés.</p> <ul style="list-style-type: none"> • Assurez-vous que les tuyaux ne sont pas pliés ni pincés. Soyez prudent lorsque vous déplacez la laveuse.
	<p>Les filtres d'entrée d'eau sont bouchés.</p> <ul style="list-style-type: none"> • Nettoyez les filtres d'entrée. Consultez la section ENTRETIEN.
	<p>La pression d'eau de la résidence est trop faible.</p> <ul style="list-style-type: none"> • Ouvrez un autre robinet de votre résidence pour vérifier si la pression d'eau est adéquate et si le débit d'eau n'est pas restreint. Dévissez le boyau d'entrée d'eau de la laveuse et faites couler quelques gallons d'eau à travers le boyau pour purger les conduites d'eau. Si la pression est trop faible, communiquez avec un plombier pour faire réparer les conduites d'eau.
QE	<p>L'alimentation d'eau est connectée avec des boyaux antifuite.</p> <ul style="list-style-type: none"> • Les boyaux antifuite peuvent être déclenchés par erreur et empêcher la cuve de se remplir. L'utilisation de boyaux antifuite n'est pas recommandée.
	<p>Le tuyau de vidange est écrasé, pincé ou bouché.</p> <ul style="list-style-type: none"> • Assurez-vous que le tuyau de vidange n'est pas obstrué et qu'il n'est pas pincé derrière ou sous la laveuse.
	<p>La sortie du drain est à plus de 96 po (2,4 m) de hauteur à partir du bas de la laveuse.</p> <ul style="list-style-type: none"> • Déplacez l'extrémité du tuyau de vidange de façon à ce qu'il ne se trouve pas à plus de 96 pouces (2,4 m) au-dessus de la partie inférieure de la laveuse.

Problème	Causes possibles et solutions
E L	<p>La fonctionnalité Control Lock (Verrouillage des commandes) est activée afin d'empêcher quiconque de modifier les cycles ou de faire fonctionner l'appareil.</p> <ul style="list-style-type: none"> • Désactivez le Control Lock (Verrouillage des commandes) à partir du panneau de commande. Consultez Control Lock (Verrouillage des commandes) sous Boutons d'option.
d r	<p>Fonctionnalité de vidange spéciale</p> <ul style="list-style-type: none"> • Si la laveuse est mise en pause pendant un cycle pour plus de 4 minutes, le cycle sera annulé et toute l'eau se trouvant encore dans la cuve sera évacuée. • Il ne s'agit pas d'un code d'erreur. Il indique que la fonctionnalité de vidange est en marche.
d E	<p>Le couvercle (porte) ne se ferme pas correctement.</p> <ul style="list-style-type: none"> • Fermez le couvercle (porte) et appuyez sur le bouton Démarrer/pause. Après le démarrage d'un cycle, cela peut prendre quelques instants avant que la cuve commence à tourner ou à essorer. La laveuse n'essorera pas si le couvercle (porte) n'est pas verrouillé. • Si le message d'erreur demeure affiché alors que le couvercle (porte) est fermé et que le bouton Démarrer/pause est enfoncé, appelez un technicien.
d L	<p>Erreur de l'interrupteur de blocage du couvercle (porte)</p> <ul style="list-style-type: none"> • Assurez-vous que le couvercle (porte) est bien fermé et appuyez sur le bouton Démarrer/pause. La laveuse ne se mettra pas en marche si le couvercle (porte) n'est pas verrouillé. • Assurez-vous que rien n'est coincé sous le couvercle (porte), y compris des matériaux d'expédition ou des vêtements. • Assurez-vous que le mécanisme de verrouillage est complètement rentré. • Si le couvercle (porte) est fermé et que le message d'erreur de verrouillage du couvercle (porte) s'affiche, communiquez avec un centre de services.
L E I	<p>Des objets étrangers tels que des pièces de monnaie, des épingles, des trombones, etc., sont coincés entre la plaque de lavage et le panier intérieur.</p> <ul style="list-style-type: none"> • Mettez la laveuse hors tension, puis sous tension à nouveau. Appuyez sur le bouton Spin (Vitesse d'essorage) sans sélectionner de cycle pour évacuer l'eau et essorer la brassée. • Lorsque le cycle Spin (Vitesse d'essorage) est terminé, videz la cuve et retirez tous les objets coincés dans la plaque de lavage. • Vérifiez toujours les poches, etc., avant le lavage pour éviter les codes d'erreur ou d'endommager la laveuse et les vêtements.
E c L	<p>Il est temps de lancer le cycle Tub Clean (Nettoyage de la cuve).</p> <ul style="list-style-type: none"> • Lancez le cycle Tub Clean (Nettoyage de la cuve).
u b	<p>La laveuse a détecté une brassée déséquilibrée.</p> <ul style="list-style-type: none"> • Si la laveuse détecte une brassée qui est trop déséquilibrée pour être essorée, elle affiche ce code pendant qu'elle tente de rééquilibrer la brassée. La laveuse ajoutera de l'eau et tentera de redistribuer la brassée automatiquement. Ce code a pour seul but de vous informer et ne nécessite aucune action. • Par conséquent, le cycle sera plus long que ce qui avait été estimé au départ.
E E	<p>Erreur de commande.</p> <ul style="list-style-type: none"> • Débranchez la laveuse et attendez 60 secondes. Rebranchez l'alimentation et essayez encore. Si l'erreur est encore affichée, appelez un technicien.

Problème	Causes possibles et solutions
FE	Le niveau d'eau est trop élevé en raison d'une soupape défectueuse. <ul style="list-style-type: none"> Fermez les robinets, débranchez la laveuse et appelez un technicien.
PE	Le capteur de niveau d'eau ne fonctionne pas correctement. <ul style="list-style-type: none"> Fermez les robinets, débranchez la laveuse et appelez un technicien.
LE	Une erreur de moteur s'est produite. <ul style="list-style-type: none"> Laissez la laveuse reposer pendant 30 minutes et redémarrez le cycle. Si le code d'erreur LE est encore affiché, appelez un technicien.
Eb	Erreur liée à l'embrayage <ul style="list-style-type: none"> Défaillance mécanique Débranchez la laveuse et contactez un technicien.

Bruits que vous pourriez entendre

Problème	Causes possibles et solutions
Clic	Il s'agit du bruit qu'émet le relais qui verrouille le couvercle (porte) lorsque le couvercle (porte) se verrouille et se déverrouille. <ul style="list-style-type: none"> Fonctionnement normal
Vaporisation ou sifflement	Eau qui est distribuée ou qui circule durant le cycle. <ul style="list-style-type: none"> Fonctionnement normal
Bourdonnement ou gargouillement	La pompe d'évacuation pompe l'eau de la laveuse quelques fois durant un cycle. <ul style="list-style-type: none"> Fonctionnement normal
De l'eau qui remue	Un liquide contenu dans l'anneau d'équilibre autour de la cuve aide la cuve à tourner de façon fluide. <ul style="list-style-type: none"> Fonctionnement normal
Eau ajoutée après que la laveuse a déjà commencé à fonctionner	La laveuse s'adapte en fonction de la grosseur et du type de brassée, et rajoute plus d'eau au besoin. <ul style="list-style-type: none"> Fonctionnement normal
	La brassée est peut-être déséquilibrée. Si la laveuse détecte que la brassée est déséquilibrée, elle arrête de fonctionner et se remplit pour redistribuer la charge. <ul style="list-style-type: none"> Fonctionnement normal
	La laveuse dilue peut-être les additifs pour la lessive pour les ajouter à la brassée. <ul style="list-style-type: none"> Fonctionnement normal
Claquement et cliquetis	Des objets étrangers (clés, pièces de monnaie ou épingles de sûreté) peuvent se retrouver dans le tambour ou la pompe. <ul style="list-style-type: none"> Arrêtez la laveuse, vérifiez qu'aucun objet ne se trouve dans le tambour ou le filtre d'évacuation. Si le bruit continue lorsque vous redémarrez la laveuse, appelez un technicien.
Bruit sourd	Les grosses brassées peuvent produire un bruit sourd. <ul style="list-style-type: none"> C'est normal. Si le bruit continue, la laveuse est probablement déséquilibrée. Arrêtez et redistribuez la brassée.
	La brassée est peut-être déséquilibrée. <ul style="list-style-type: none"> Suspendez le cycle et redistribuez la brassée après le déverrouillage du couvercle (porte).

Problème	Causes possibles et solutions
Bruit de vibrations	<p>Il reste du matériel d'emballage sur la laveuse.</p> <ul style="list-style-type: none"> • Consultez l'information sous Déballage et retrait du matériel d'emballage dans la section INSTALLATION.
	<p>La brassée est peut-être mal distribuée dans le tambour.</p> <ul style="list-style-type: none"> • Suspendez le cycle et redistribuez la brassée après le déverrouillage du couvercle (porte).
	<p>Les pieds de nivellement ne sont pas tous fermement et également appuyés sur le plancher.</p> <ul style="list-style-type: none"> • Consultez Mise au niveau de l'appareil dans la section INSTALLATION.
	<p>Le plancher n'est pas assez stable.</p> <ul style="list-style-type: none"> • Assurez-vous que le plancher est solide et qu'il ne fléchit pas. Consultez la rubrique Plancher dans la section INSTALLATION.
Bruit de grincement	<p>Il reste du matériel d'emballage sur la laveuse.</p> <ul style="list-style-type: none"> • Consultez l'information sous Déballage et retrait du matériel d'emballage dans la section INSTALLATION.
Bruit de claquement quand la laveuse se remplit d'eau (coup de bélier)	<p>La plomberie dans la maison bouge ou fléchit quand les soupapes d'eau dans la laveuse se referment.</p> <ul style="list-style-type: none"> • Le coup de bélier n'est pas le résultat d'un défaut de la laveuse. Installez des dispositifs antibéliers (achetés séparément dans une quincaillerie ou un centre de bricolage pour la maison) entre le boyau de remplissage et la laveuse pour les meilleurs résultats.
	<p>La pression de l'arrivée d'eau dans la maison est très élevée.</p> <ul style="list-style-type: none"> • Réglez le régulateur de l'arrivée d'eau à une pression plus faible ou contactez un plombier.

FONCTIONNEMENT

Problème	Causes possibles et solutions
Fuite d'eau	<p>Les tuyaux ne sont pas raccordés correctement.</p> <ul style="list-style-type: none"> • Vérifiez qu'il n'y a pas de fuites, de fissures et de fentes dans les tuyaux et les raccords. • Vérifiez et serrez le raccordement des boyaux.
	<p>Les tuyaux d'évacuation de la résidence sont bouchés.</p> <ul style="list-style-type: none"> • La laveuse évacue l'eau très rapidement. Vérifiez si l'eau refoule du tuyau d'évacuation pendant l'évacuation de la cuve. Si vous voyez de l'eau sortir du tuyau d'évacuation, vérifiez si le boyau d'évacuation est bien installé, et vérifiez si quelque chose bloque le tuyau d'évacuation. Communiquez avec un plombier pour réparer le tuyau d'évacuation.
	<p>Le tuyau de vidange est sorti du raccord de vidange ou n'est pas inséré suffisamment loin.</p> <ul style="list-style-type: none"> • Fixez le boyau d'évacuation au boyau d'entrée ou au tuyau vertical pour l'empêcher de se déloger durant l'évacuation de la cuve. Pour les petits tuyaux d'évacuation, insérez le boyau d'évacuation à la profondeur de la bride du boyau. Pour les grands tuyaux d'évacuation, insérez le boyau d'évacuation à 1 ou 2 pouces (2,5 cm à 5,1 cm) sous la bride du boyau.
	<p>Un grand article comme un oreiller ou une couverture se trouve sur le dessus de la cuve.</p> <ul style="list-style-type: none"> • Utilisez le cycle Bedding (Literie) pour les articles volumineux. Prenez des précautions supplémentaires et ne lavez jamais plus d'une demi-brassée d'articles flottants, comme des oreillers. • Arrêtez la laveuse et vérifiez la brassée. Assurez-vous que la brassée ne dépasse pas le bord supérieur de la cuve.
	<p>Le détergent produit trop de bulles.</p> <ul style="list-style-type: none"> • La formation excessive de mousse peut créer des fuites et peut être causée par le type et la quantité de détergent utilisé. Le détergent à haute efficacité est le seul détergent recommandé. La quantité normale de détergent à utiliser est d'un quart à la moitié de la quantité maximale recommandée par le fabricant de détergent. Réduisez toujours la quantité de détergent pour une petite brassée ou une brassée d'articles légèrement sales, ou si l'eau est très douce. N'utilisez jamais plus que la quantité maximale recommandée par le fabricant du détergent.
Fuite d'eau à chaque cycle.	<p>Les tuyaux ne sont pas installés correctement.</p> <ul style="list-style-type: none"> • Vérifiez tous les raccords des tuyaux de remplissage et de vidange afin de vous assurer qu'ils sont solidement fixés et bien serrés.
Excès de bulles	<p>Trop de détergent ou mauvais détergent.</p> <ul style="list-style-type: none"> • Les détergents HE sont conçus spécialement pour les laveuses haute efficacité et comportent des agents de réduction de bulles. Utilisez seulement du détergent comportant le logo Haute efficacité (HE). • Pour les quantités de détergent à utiliser, reportez-vous à la section Utilisation du détergent. Si la formation de mousse ou de résidus de détergent continue à être un problème, ajoutez un rinçage supplémentaire.

Problème	Causes possibles et solutions
La laveuse ne s'allume pas.	<p>Le câble d'alimentation n'est pas correctement branché.</p> <ul style="list-style-type: none"> • Vérifiez que le câble d'alimentation est branché sur une prise c.a. à 3 trous (Mise à la terre) de 120 V/60 Hz.
	<p>Un fusible de votre résidence est brûlé, un disjoncteur a été déclenché ou il y a une panne de courant.</p> <ul style="list-style-type: none"> • Réinitialisez le disjoncteur ou remplacez le fusible. N'augmentez pas la capacité du fusible. S'il s'agit d'un problème de surcharge du circuit, faites-le corriger par un électricien qualifié.
Le cycle de lavage prend plus de temps que d'habitude.	<p>La laveuse ajuste automatiquement la durée du cycle en fonction de la charge, de la pression d'eau et des conditions de fonctionnement.</p> <ul style="list-style-type: none"> • C'est normal. La laveuse ajuste automatiquement la durée du cycle afin d'optimiser les résultats pour le cycle sélectionné. La durée affichée n'est qu'une estimation. La durée réelle peut être différente.
Distribution incomplète ou aucune distribution de détergent	<p>Les compartiments à détergent sont bouchés à cause d'un remplissage incorrect.</p> <ul style="list-style-type: none"> • Assurez-vous que le détergent et les additifs sont placés dans les bons compartiments du distributeur. Pour tous les types de détergent, assurez-vous toujours que le tiroir du distributeur est complètement fermé avant le démarrage du cycle.
	<p>Trop de détergent utilisé.</p> <ul style="list-style-type: none"> • Assurez-vous que la quantité suggérée de détergent est utilisée selon les recommandations du fabricant. Vous pouvez aussi diluer le détergent avec de l'eau jusqu'à la ligne de remplissage maximale du compartiment pour éviter les obstructions. N'utilisez que des détergents HE (haute efficacité). <p>REMARQUE</p> <ul style="list-style-type: none"> • Utilisez toujours aussi peu de détergent que possible. Les laveuses à haute efficacité n'ont besoin que d'une très petite quantité de détergent pour obtenir des résultats optimaux. Utiliser trop de détergent causera un lavage et un rinçage de mauvaise qualité et pourrait entraîner des odeurs dans la laveuse.
	<p>Approvisionnement en eau insuffisant.</p> <ul style="list-style-type: none"> • Vérifiez que les robinets d'eau chaude et d'eau froide sont tous les deux complètement ouverts.
	<p>Résidus normaux.</p> <ul style="list-style-type: none"> • Il est normal qu'une petite quantité de détergent demeure dans le distributeur. Si ces résidus s'accumulent, ils peuvent empêcher la distribution normale des produits. Consultez les directives de nettoyage.

Problème	Causes possibles et solutions
La laveuse ne fonctionne pas.	<p>Le panneau de contrôle s'est éteint après une période d'inactivité.</p> <ul style="list-style-type: none"> • C'est normal. Appuyez sur le bouton Marche/arrêt pour allumer la laveuse.
	<p>La laveuse est débranchée.</p> <ul style="list-style-type: none"> • Assurez-vous que le câble d'alimentation est bien branché sur une prise électrique fonctionnelle.
	<p>L'approvisionnement en eau est fermé.</p> <ul style="list-style-type: none"> • Ouvrez complètement le robinet d'eau froide et le robinet d'eau chaude.
	<p>Les commandes ne sont pas réglées correctement.</p> <ul style="list-style-type: none"> • Assurez-vous que le cycle a été réglé correctement, fermez le couvercle (porte) et appuyez sur le bouton Démarrer/pause.
	<p>Le couvercle (porte) est ouvert.</p> <ul style="list-style-type: none"> • La laveuse ne fonctionnera pas si le couvercle (porte) est ouvert. Fermez le couvercle (porte) et assurez-vous que rien n'est coincé dans le couvercle (porte), ce qui l'empêcherait de se fermer complètement.
	<p>Le disjoncteur ou le fusible du circuit est déclenché ou brûlé.</p> <ul style="list-style-type: none"> • Vérifiez le disjoncteur et le fusible du circuit électrique de votre résidence. Remplacez le fusible ou réinitialisez le disjoncteur. La laveuse doit être branchée sur un circuit qui lui est réservé. La laveuse reprendra le cycle là où il s'est arrêté lorsque le courant sera rétabli.
	<p>Les commandes doivent être réinitialisées.</p> <ul style="list-style-type: none"> • Appuyez sur le bouton Marche/arrêt, puis sélectionnez à nouveau le cycle souhaité et appuyez sur le bouton Démarrer/pause.
	<p>On n'a pas appuyé sur la touche Démarrer/pause après la sélection du cycle.</p> <ul style="list-style-type: none"> • Appuyez sur le bouton Marche/arrêt, puis sélectionnez de nouveau le cycle voulu et appuyez sur le bouton Démarrer/pause. La laveuse s'éteint si vous n'appuyez pas sur le bouton Démarrer/pause dans les 60 minutes suivant la sélection du cycle.
	<p>La pression d'eau est très faible.</p> <ul style="list-style-type: none"> • Ouvrez un autre robinet de votre résidence pour vérifier si la pression d'eau est adéquate.
	<p>La laveuse est trop froide.</p> <ul style="list-style-type: none"> • Si la laveuse a été exposée à des températures sous le point de congélation pendant une longue période, laissez-la se réchauffer avant d'appuyer sur le bouton Marche/arrêt. Sinon, l'écran ne s'allumera pas.

Problème	Causes possibles et solutions
La cuve ne se remplit pas correctement.	Le filtre est bouché. <ul style="list-style-type: none"> • Vérifiez que les filtres d'entrée d'eau des soupapes d'entrée d'eau ne sont pas bouchés. Consultez les directives de nettoyage du filtre.
	Les boyaux d'entrée d'eau sont peut-être écrasés. <ul style="list-style-type: none"> • Vérifiez si les boyaux d'entrée d'eau sont écrasés ou bouchés.
	Efficacité énergétique <ul style="list-style-type: none"> • Cet appareil est une laveuse haute efficacité (HE). En conséquence, le niveau d'eau dans la cuve peut-être différent du niveau d'eau d'une laveuse conventionnelle.
	Approvisionnement en eau insuffisant <ul style="list-style-type: none"> • Vérifiez que les robinets d'eau chaude et d'eau froide sont tous les deux complètement ouverts.
	Le couvercle (porte) de la laveuse est ouvert. <ul style="list-style-type: none"> • La laveuse ne fonctionnera pas si le couvercle (porte) est ouvert. Fermez le couvercle (porte) et assurez-vous que rien n'est coincé dans le couvercle (porte), ce qui l'empêcherait de se fermer complètement.
	Le niveau d'eau est trop bas. <ul style="list-style-type: none"> • Normalement, l'eau ne recouvre pas les vêtements. Le niveau de remplissage est optimisé en fonction du mouvement de lavage pour offrir des résultats de lavage optimaux.
L'eau dans la laveuse ne s'écoule pas ou s'écoule lentement.	Le tuyau de vidange est écrasé, pincé ou bouché. <ul style="list-style-type: none"> • Assurez-vous que le tuyau de vidange n'est pas obstrué et qu'il n'est pas pincé derrière ou sous la laveuse.
	La sortie du drain est à plus de 96 po (2,4 m) de hauteur à partir du bas de la laveuse. <ul style="list-style-type: none"> • Déplacez l'extrémité du tuyau de vidange de façon à ce qu'il ne se trouve pas à plus de 96 pouces (2,4 m) au-dessus de la partie inférieure de la laveuse.
Le javellisant n'est pas distribué.	Le couvercle du distributeur de javellisant n'est pas correctement installé. <ul style="list-style-type: none"> • Assurez-vous que le couvercle du javellisant est correctement installé et s'est bien mis en place avant le début du cycle.
	Le distributeur de javellisant est sale ou obstrué. <ul style="list-style-type: none"> • Soulevez le couvercle du distributeur de javellisant et nettoyez le réservoir. Des peluches et d'autres débris qui s'accumulent à l'intérieur du distributeur peuvent empêcher la distribution correcte du javellisant.
Le javellisant est distribué trop tôt.	Le distributeur de javellisant est rempli pour une brassée future. <ul style="list-style-type: none"> • Vous ne pouvez pas mettre du javellisant dans le distributeur pour un usage futur. Le javellisant sera distribué à chaque brassée.
	Le distributeur de javellisant est trop rempli. <ul style="list-style-type: none"> • Le remplissage excessif du distributeur de javellisant entraînera la distribution immédiate du javellisant, ce qui endommagera les articles ou la laveuse. Mesurez toujours la quantité de javellisant, mais ne dépassez jamais la ligne de capacité maximale du distributeur. Une demi-tasse de javellisant est suffisante pour la plupart des brassées. N'utilisez jamais plus d'une tasse de javellisant.

Performances

Problème	Causes possibles et solutions
Plis	Les articles n'ont pas été sortis de la laveuse assez rapidement à la fin du cycle. <ul style="list-style-type: none"> Retirez toujours les articles de la laveuse aussitôt que le cycle est terminé.
	La laveuse est surchargée. <ul style="list-style-type: none"> La cuve de la laveuse peut être remplie au maximum de sa capacité, mais son contenu ne doit pas être comprimé. Le couvercle (porte) de la laveuse doit se fermer facilement.
	Les boyaux d'entrée d'eau chaude et d'eau froide sont inversés. <ul style="list-style-type: none"> Un rinçage à l'eau chaude peut créer des plis dans les articles. Vérifiez le raccordement des boyaux.
Taches	Le javellisant ou l'assouplissant est distribué trop tôt. <ul style="list-style-type: none"> Le compartiment du distributeur est trop rempli, ce qui entraîne la distribution immédiate du javellisant ou de l'assouplissant. Mesurez toujours la quantité de javellisant pour éviter de trop remplir la tasse (une tasse maximum). Le tiroir du distributeur a été fermé trop rapidement ce qui a entraîné la distribution immédiate de l'assouplissant.
	Du javellisant ou de l'assouplissant a été ajouté directement à la brassée de lavage dans la cuve. <ul style="list-style-type: none"> Utilisez toujours les distributeurs pour vous assurer que les produits de lessive sont correctement distribués au moment opportun pendant le cycle.
	On n'a pas déchargé la laveuse promptement. <ul style="list-style-type: none"> Retirez toujours les articles de la laveuse aussi rapidement que possible après la fin du cycle.
	Les articles n'ont pas été triés correctement. <ul style="list-style-type: none"> Lavez toujours les articles foncés séparément des articles blancs ou pâles pour éviter le transfert de couleurs. Ne lavez jamais d'articles très sales avec des articles légèrement sales.
Les vêtements restent tachés	Les options correctes n'ont pas été sélectionnées. <ul style="list-style-type: none"> La saleté plus importante et les taches plus tenaces peuvent nécessiter une puissance de nettoyage supplémentaire. Sélectionnez la fonctionnalité Soak (Trempage) ou Stain Care (Traitement des taches) pour accroître la puissance de nettoyage du cycle sélectionné.
	Taches déjà imprégnées. <ul style="list-style-type: none"> Les articles peuvent comporter des taches qui sont déjà imprégnées depuis un certain temps. Ces taches peuvent être difficiles à éliminer. Un lavage à la main ou un prétraitement pourrait aider à éliminer ces taches.
Odeur de moisissure dans la cuve	Trop de détergent, ou un mauvais détergent, a été utilisé. <ul style="list-style-type: none"> Utilisez uniquement du détergent haute efficacité (HE) en respectant les directives du fabricant.
	L'intérieur de la cuve n'a pas été correctement nettoyé. <ul style="list-style-type: none"> Utilisez le cycle Tub Clean (Nettoyage de la cuve) régulièrement.

Wi-Fi (pour le produit qui est doté du module LAN sans fil)

Problème	Cause possible
L'appareil et le téléphone intelligent n'arrivent pas à se connecter au réseau Wi-Fi.	Le mot de passe du réseau Wi-Fi a été mal saisi. <ul style="list-style-type: none"> • Supprimez votre réseau Wi-Fi domestique et recommencez le processus d'enregistrement.
	Les données mobiles de votre téléphone intelligent sont activées. <ul style="list-style-type: none"> • Désactivez les données mobiles de votre téléphone intelligent avant d'enregistrer l'appareil.
	Le nom du réseau sans fil (SSID) est erroné. <ul style="list-style-type: none"> • Le nom du réseau sans fil (SSID) doit être une combinaison de lettres et de chiffres anglais. (N'utilisez pas de caractères spéciaux.)
	La fréquence du routeur n'est pas de 2,4 GHz. <ul style="list-style-type: none"> • Seule une fréquence de routeur de 2,4 GHz est prise en charge. Réglez le routeur sans fil à 2,4 GHz et connectez-y l'appareil. Pour connaître la fréquence du routeur, informez-vous auprès de votre fournisseur de services Internet ou du fabricant du routeur.
	La distance entre l'appareil et le routeur est trop grande. <ul style="list-style-type: none"> • Si l'appareil est trop éloigné du routeur, le signal peut être faible et la connexion peut ne pas être configurée correctement. Placez le routeur plus près de l'appareil ou achetez et installez un répéteur Wi-Fi.

GARANTIE LIMITÉE

POUR CANADA

AVIS D'ARBITRAGE : LA PRÉSENTE GARANTIE LIMITÉE CONTIENT UNE DISPOSITION SUR L'ARBITRAGE QUI EXIGE QUE LE RÈGLEMENT DES DIFFÉRENDS ENTRE VOUS ET LG S'EFFECTUE PAR ARBITRAGE EXÉCUTOIRE PLUTÔT QUE DEVANT UN TRIBUNAL, À MOINS QUE LES LOIS DE VOTRE PROVINCE OU TERRITOIRE L'INTERDISENT OU QUE, DANS UN AUTRE TERRITOIRE DE COMPÉTENCE, VOUS VOUS PRÉVALIEZ D'UNE OPTION DE RETRAIT. LES RECOURS COLLECTIFS ET LES PROCÈS DEVANT JURY NE SONT PAS AUTORISÉS PAR LE PROCESSUS D'ARBITRAGE. VEUILLEZ VOUS RÉFÉRER CI-DESSOUS À L'ARTICLE « PROCÉDURE DE RÈGLEMENT DE DIFFÉREND ».

Si votre laveuse de LG (le « produit ») ne fonctionne pas à cause d'un défaut lié au matériel ou à la fabrication lors d'un usage domestique normal au cours de la période de garantie énoncée ci-dessous, LG Canada réparera ou remplacera le produit, à sa discrétion, à la réception d'une preuve de l'achat original. Cette garantie est valide seulement pour l'acheteur original du produit et s'applique uniquement à un produit distribué au Canada par LG Canada ou un distributeur canadien autorisé de celle-ci. La garantie s'applique uniquement aux produits situés et utilisés au Canada. Pour les produits sous garantie, la couverture pour les réparations « à domicile » sera fournie si le produit se trouve dans un rayon de 150 km du centre de service autorisé (CSA) le plus proche, tel que déterminé par LG Canada. Si votre produit est situé à l'extérieur d'un rayon de 150 km d'un CSA, tel que déterminé par LG Canada, il sera de votre responsabilité d'apporter le produit, à vos frais, au CSA pour réparation sous garantie.

PÉRIODE DE GARANTIE : (Remarque : Si la date d'achat originale ne peut pas être vérifiée, la garantie commencera soixante [60] jours après la date de fabrication).			
Période	Un (1) an après la date d'achat original de l'appareil.	Dix (10) ans après la date d'achat original de l'appareil.	Trois (3) ans après la date d'achat original de l'appareil.
Portée de la garantie	Pièces et main-d'oeuvre (pièces internes fonctionnelles seulement)	Moteur DD (stator et rotor)	Cuve en acier inoxydable
Remarque	LG fournira les pièces et la main-d'oeuvre pour réparer ou remplacer les pièces défectueuses.	Garantie prolongée sur les composantes (pièces seulement) (Le consommateur sera facturé pour la main-d'oeuvre un (1) an après la date d'achat.)	

- Les produits et pièces de remplacement sont garantis pour la portion restante de la période de garantie originale ou quatre-vingt-dix (90) jours, selon la période la plus longue.
- Les produits et pièces de remplacement peuvent être neufs ou remis à neuf.
- La preuve de l'achat de détail original spécifiant le modèle du produit et la date d'achat est requise pour obtenir un service sous garantie en vertu de la présente garantie limitée.

LA SEULE RESPONSABILITÉ DE LG CANADA SE LIMITE À LA GARANTIE DÉFINIE CI-DESSOUS. HORMIS DANS LES CONDITIONS EXPLICITEMENT DÉFINIES AUX PRÉSENTES, LG CANADA NE FAIT AUCUNE GARANTIE OU CONDITION PAR RAPPORT À L'APPAREIL, QU'ELLE SOIT EXPRESSE OU IMPLICITE, Y COMPRIS, SANS LIMITATION, TOUTE GARANTIE IMPLICITE D'APPLICATION OU DE CONFORMITÉ À UN USAGE PARTICULIER, ET AUCUNE DÉCLARATION NE LIERA LG CANADA. LG CANADA N'AUTORISE PERSONNE À CRÉER OU À ASSUMER UNE AUTRE GARANTIE OU RESPONSABILITÉ PAR RAPPORT À CET APPAREIL. DANS LES CAS OÙ UNE GARANTIE OU CONDITION EST REQUISE PAR LA LOI, LA DURÉE DE CELLE-CI EST LIMITÉE À LA PÉRIODE DE GARANTIE EXPRESSE CI-DESSUS. LG CANADA, LE FABRICANT OU SON DISTRIBUTEUR NE SAURAIENT ÊTRE RESPONSABLES DES DOMMAGES INCIDENTS, CONSÉCUTIFS, SPÉCIAUX, DIRECTS OU INDIRECTS, PERTE DE VALEUR, DE BÉNÉFICES, DOMMAGES PUNITIFS OU EXEMPLAIRES OU AUTRES, QU'ILS SURVIENNENT DIRECTEMENT OU INDIRECTEMENT D'UNE RUPTURE DE CONTRAT, ESSENTIELLE OU NON, OU DE TOUT ACTE OU OMISSION, TORT OU AUTRE.

Cette garantie vous donne des droits légaux particuliers. D'autres droits peuvent vous être accordés en fonction de votre région et de ses lois applicables. Toute condition de cette garantie qui rejette ou modifie une condition ou garantie implicite dans le cadre des lois régionales est dissociable lorsqu'elle entre en conflit avec les lois régionales, sans que cela n'affecte le reste des conditions de cette garantie.

LA PRÉSENTE GARANTIE LIMITÉE NE COUVRE PAS CE QUI SUIT :

- Les interventions de livraison, de prise en charge ou d'installation du produit ; la livraison de conseils au client sur le fonctionnement de l'appareil ; la réparation ou le remplacement des fusibles ou la correction du branchement électrique ou de la plomberie, ou la correction de réparations ou d'installations non autorisées.
- La défaillance du produit durant une panne, une interruption de l'alimentation électrique ou une mauvaise alimentation en électricité.
- Les dommages causés par des tuyaux d'eau qui fuient qui sont inadaptés ou gelés, des petits tuyaux de vidange, une arrivée d'eau inadaptée ou coupée, ou une arrivée d'air inadaptée.
- Les dommages résultant du fonctionnement de l'appareil en atmosphère corrosive ou contraire aux consignes détaillées dans le manuel du propriétaire de l'appareil.
- Les dommages à l'appareil causés par un accident, les parasites, la foudre, le vent, un incendie, les inondations ou les catastrophes naturelles.
- Les dommages ou les pannes de l'appareil causées par une modification ou altération non autorisée, ou l'usage détourné, ou résultant d'une fuite d'eau liée à une mauvaise installation.
- Les dommages ou pannes de l'appareil causés par un courant électrique ou des codes de plomberie incorrects, ou un usage commercial ou industriel inapproprié, ou une utilisation d'accessoires, de composants ou de produits de nettoyage non approuvés par LG Canada.
- Les dommages causés par le transport et la manutention, y compris les rayures, bosses, entailles ou autres dommages à la finition de l'appareil, à moins que ces dommages ne résultent de défauts de pièce ou main-d'œuvre et soient rapportés dans la première semaine suivant la livraison.
- Les dommages et les pièces manquantes pour tout produit utilisé aux fins de démonstration, tout produit déjà déballé avant l'achat, tout produit vendu au rabais et tout produit remis à neuf.
- Les appareils dont les numéros de série originaux ont été enlevés, altérés ou ne peuvent pas être déterminés facilement. Le modèle et le numéro de série, ainsi que la facture d'achat originale, sont nécessaires à la validation de la garantie.
- Les augmentations des frais de fonctionnement et des autres dépenses de fonctionnement.
- Le remplacement des ampoules, des filtres ou des consommables.
- Les réparations lorsque votre appareil est utilisé dans des conditions autres que normales et domestiques (y compris, sans limitation, l'utilisation commerciale, dans des bureaux ou des installations récréatives) ou contraires aux consignes établies dans le manuel du propriétaire de l'appareil.
- Les coûts associés au retrait de l'appareil de votre foyer pour réparation.
- Le retrait et la réinstallation de l'appareil s'il est situé dans un endroit inaccessible ou s'il n'est pas installé conformément aux consignes d'installations publiées, y compris dans le manuel d'installation et dans le manuel du propriétaire de l'appareil.
- Les accessoires de l'appareil comme les bacs de porte, les paniers, les poignées, les étagères, etc. Les pièces autres que celles incluses dans le produit d'origine sont également exclues.
- Les dommages résultant de la mauvaise utilisation, installation, réparation ou entretien, ou de l'abus de l'appareil. La mauvaise réparation comprend l'utilisation de pièces non approuvées ou indiquées par LG Canada.

Tous les frais associés aux circonstances d'exclusion de garantie ci-dessus seront à la charge du client. Pour consulter l'ensemble des détails de la garantie ainsi que l'assistance à la clientèle, veuillez nous appeler ou visiter notre site Web :

Appelez le 1 888 542-2623 (de 7 h à minuit, pendant toute l'année) et sélectionnez l'option appropriée à partir du menu, ou visitez notre site Web au http://www.lg.com/ca_fr.

PROCÉDURE DE RÈGLEMENT DE DIFFÉREND :

SAUF LA OÙ LA LOI L'INTERDIT, TOUT DIFFÉREND ENTRE VOUS ET LG ASSOCIÉ DE QUELQUE FAÇON QUE CE SOIT À LA PRÉSENTE GARANTIE LIMITÉE SE RÈGLE EXCLUSIVEMENT PAR ARBITRAGE EXÉCUTOIRE PLUTÔT QUE DEVANT UN TRIBUNAL DE DROIT COMMUN. SAUF LA OÙ LA LOI L'INTERDIT, VOUS ET LG RENONCEZ IRRÉVOCABLEMENT À TOUT DROIT À UN PROCÈS DEVANT JURY, AINSI QU'À EXERCER UN RECOURS COLLECTIF OU À Y PARTICIPER.

Définitions. Aux fins du présent article, « LG » désigne LG Electronics Canada inc., ses sociétés mères, ses filiales et ses sociétés affiliées et tous leurs dirigeants, administrateurs, employés, agents, bénéficiaires, détenteurs précédents des mêmes droits, successeurs, cessionnaires et fournisseurs; « différend » et « réclamation » englobent tout différend, réclamation ou litige de quelque sorte que ce soit (fondés sur une responsabilité contractuelle, délictuelle, légale, réglementaire ou découlant d'une ordonnance, par fraude, fausse représentation ou sous quelque régime de responsabilité que ce soit) découlant de quelque façon que ce soit de la vente, des conditions ou de l'exécution du produit ou de la présente garantie limitée.

Avis de différend. Si vous prévoyez engager une procédure d'arbitrage, vous devez d'abord envoyer à LG un préavis écrit d'au moins 30 jours à l'adresse suivante : Équipe juridique LG Electronics Canada, Inc., Legal Department - Arbitration, 20 Norelco Drive, North York, Ontario M9L 2X6. Vous et LG convenez de discuter en toute bonne foi pour tenter de régler le différend à l'amiable. L'avis doit mentionner votre nom, votre adresse, votre numéro de téléphone, le produit faisant l'objet de la réclamation, la nature de la réclamation et la réparation demandée. Si vous et LG ne parvenez pas à régler le différend dans les 30 jours, l'une ou l'autre partie peut déposer une demande d'arbitrage.

Entente d'arbitrage exécutoire et renonciation à un recours collectif. Si la réclamation n'a pu être réglée dans les 30 jours suivant l'envoi du préavis à LG, vous et LG convenez de ne régler les réclamations vous opposant que par arbitrage exécutoire au cas par cas, à moins que vous vous prévaliez de l'option de retrait évoquée plus haut ou que vous résidiez dans un territoire de compétences qui interdit la pleine application de cette clause dans le cas de réclamations de ce type (dans lequel cas, si vous êtes un consommateur, cette clause ne s'appliquera que si vous acceptez expressément l'arbitrage). Dans la mesure où la loi en vigueur le permet, aucun différend entre vous et LG ne peut être combiné ou regroupé avec un différend faisant intervenir le produit ou la réclamation d'une personne ou entité tierce. Plus précisément et sans limiter la portée de ce qui précède, sauf dans la mesure où une telle interdiction n'est pas autorisée en droit, en aucun cas un différend entre vous et LG ne peut être traité dans le cadre d'un recours collectif. Au lieu de l'arbitrage, les parties peuvent tenter une action individuelle devant une cour des petites créances, mais cette action ne peut pas être intentée dans le cadre d'un recours collectif, sauf dans la mesure où une telle interdiction n'est pas autorisée en droit dans votre province ou territoire de compétences pour une réclamation en cause qui nous oppose.

Règles et procédures d'arbitrage. Pour soumettre une réclamation à un arbitrage, l'une des deux parties, soit vous ou LG, doit déposer une demande écrite à cet effet. L'arbitrage est privé et confidentiel et s'effectue selon une procédure simplifiée et accélérée devant un arbitre unique choisi par les parties conformément aux lois et règlements en vigueur portant sur l'arbitrage commercial de votre province ou territoire de résidence. Vous devez également envoyer une copie de votre demande écrite à LG Electronics Canada Inc., Legal Department - Arbitration, 20 Norelco Drive, North York, Ontario M9L 2X6. La présente disposition sur l'arbitrage est régie par les lois et règlements sur l'arbitrage commercial applicables de votre province ou territoire. La sentence arbitrale peut donner lieu à un jugement de n'importe quel tribunal compétent. Toutes les décisions relèvent de l'arbitre, à l'exception des questions associées à la portée et à l'applicabilité de la disposition sur l'arbitrage et à l'arbitrabilité du différend, qui sont du ressort du tribunal. L'arbitre est tenu de respecter les modalités de la présente disposition.

Droit applicable. Les lois de votre province ou territoire de résidence régissent la présente garantie limitée et tout différend entre vous et LG, sauf dans la mesure où de telles lois sont supplantées par des lois fédérales, provinciales ou territoriales applicables ou sont incompatibles avec ces dernières. Si l'arbitrage n'est pas autorisé pour régler une réclamation, une poursuite, un différend ou un litige nous opposant, nous nous en remettons à la compétence exclusive des tribunaux de votre province ou territoire de compétence pour le règlement de la réclamation, de la poursuite, du différend ou du litige nous opposant.

Frais et coûts. Aucuns frais ne sont exigibles pour entamer une procédure d'arbitrage. À la réception de votre demande d'arbitrage écrite, LG réglera rapidement la totalité des frais de dépôt de la demande d'arbitrage, sauf si vous réclamez des dommages-intérêts supérieurs à 25 000 \$. Dans ce cas, le paiement de ces frais sera régi par les règles d'arbitrage applicables. Sauf disposition contraire aux présentes, LG paiera tous les frais de dépôt de demande et d'administration ainsi que les honoraires de l'arbitre conformément aux règles d'arbitrage applicables et à la présente disposition sur l'arbitrage. Si vous remportez l'arbitrage, LG réglera vos frais et honoraires juridiques après avoir déterminé s'ils sont raisonnables en se fondant sur des facteurs comme, entre autres, le montant de l'achat et le montant de la réclamation. Nonobstant ce qui précède, si la loi applicable permet d'accorder une indemnité de frais et d'honoraires d'avocats, l'arbitre peut l'accorder dans la même mesure qu'un tribunal. Si l'arbitre juge que le motif de la réclamation ou les réparations demandées sont futiles ou se fondent sur des motifs déplacés (au regard des lois applicables), le paiement de tous les frais d'arbitrage sera régi par les règles d'arbitrage applicables. Dans un tel cas, vous acceptez de rembourser à LG la totalité des montants versés qu'il vous revient autrement de payer en vertu des règles d'arbitrage applicables. Sauf disposition contraire et si elle remporte l'arbitrage, LG renonce à tous ses droits de vous réclamer des frais et honoraires juridiques.

Audience et lieu de l'arbitrage. Si votre réclamation est égale ou inférieure à 25 000 \$, vous pouvez opter pour un arbitrage conduit selon l'une des modalités suivantes uniquement : 1) sur examen des documents remis à l'arbitre, 2) par audience téléphonique ou 3) par audience en personne selon les dispositions des règles d'arbitrage applicables. Si votre réclamation dépasse 25 000 \$, le droit à une audience sera défini par les règles d'arbitrage applicables. Les audiences arbitrales en personne se tiendront à l'endroit le plus proche et le plus pratique pour les deux parties situé dans votre province ou votre territoire de résidence, sauf si vous et LG convenez mutuellement d'un autre lieu ou d'un arbitrage par téléphone.

Dissociabilité et renoncement. Si une partie de la présente garantie limitée (y compris les présentes procédures d'arbitrage) n'est pas applicable, les dispositions restantes demeurent en vigueur dans la mesure permise par la loi applicable. Le fait de ne pas exiger la stricte exécution d'une disposition de la présente garantie limitée (y compris les présentes procédures d'arbitrage) ne signifie pas que nous ayons renoncé ni que nous ayons l'intention de renoncer à toute disposition ou partie de la présente garantie limitée.

Option de retrait. Vous pouvez vous retirer de la présente procédure de règlement de différend. Dans ce cas, ni vous ni LG ne pouvez imposer à l'autre partie de participer à une procédure d'arbitrage. Pour vous prévaloir de l'option de retrait, vous devez envoyer un préavis à LG dans les trente (30) jours civils à compter de la date de l'achat du produit par le premier acheteur i) dans un courriel adressé à optout@lge.com et dont la ligne d'objet porte la mention « Retrait de l'arbitrage » ou ii) en composant le 1 800 980-2973. Que ce soit par courriel ou par téléphone, vous devrez donner a) votre nom et votre adresse; b) la date d'achat du produit; c) le nom ou le numéro de modèle du produit et d) le numéro de série [qu'il est possible de trouver i) sur le produit ou ii) en ligne au https://www.lg.com/ca_fr/soutien/repairation-garantie/demande-reparation, Trouver mes numéros de modèle et de série].

Si vous vous prévalez de l'option de retrait, les lois de votre province ou territoire de résidence régissent la présente Garantie limitée et tout différend entre nous, sauf dans la mesure où de telles lois sont supplantées par des lois fédérales, provinciales ou territoriales applicables ou sont incompatibles avec ces dernières. Si l'arbitrage n'est pas autorisé pour régler une réclamation, une poursuite, un différend ou un litige nous opposant, nous nous en remettons à la compétence exclusive des tribunaux de votre province ou territoire de compétence pour le règlement de la réclamation, de la poursuite, du différend ou du litige nous opposant.

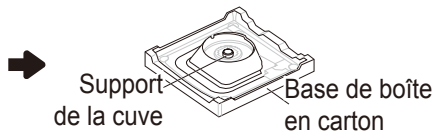
Vous ne pouvez vous prévaloir de l'option de retrait que de la manière décrite plus haut (c'est-à-dire par courriel ou par téléphone). Aucun autre type d'avis ne sera pris en compte pour le retrait de la présente procédure de règlement de différend. Le fait de se retirer de la présente procédure de règlement de différend ne compromet d'aucune façon la protection accordée en vertu de la Garantie limitée, et vous continuerez à jouir de tous les avantages prévus par la Garantie limitée. Si vous conservez ce produit sans vous prévaloir de l'option de retrait, vous acceptez les conditions générales de la disposition sur l'arbitrage énoncée ci-dessus.

Conflit de modalités. En cas de conflit ou d'incompatibilité entre les modalités de la présente garantie limitée et le contrat de licence d'utilisation (« CLU ») en ce qui concerne le règlement des différends, les modalités de la présente garantie limitée contrôlent et régissent les droits et obligations des parties et ont préséance sur le CLU.

Exceptions à la garantie

Les matériaux d'emballage n'ont pas été retirés.

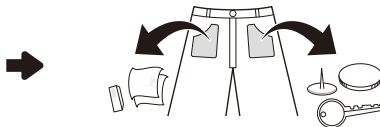
Bruit, vibrations



Retirez les matériaux d'emballage.

Une pièce de monnaie ou un objet étranger est coincé dans la laveuse.

Erreur E6, la cuve n'essore pas, bruit.



Retirez les pièces de monnaie ou les objets étrangers des articles avant de charger la laveuse.

Le tuyau de vidange est installé trop bas.

Erreur EE, la laveuse ne se remplit pas d'eau, l'eau est évacuée pendant le remplissage.



Réinstallez le tuyau de vidange correctement.

Les filtres de la vanne d'arrivée d'eau sont obstrués ou les tuyaux d'arrivée d'eau sont pliés.

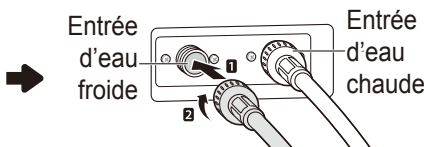
L'eau n'est pas acheminée.



Nettoyez le filtre de la soupape d'entrée d'eau ou réinstallez les boyaux d'entrée d'eau.

Les tuyaux d'alimentation sont installés à l'envers.

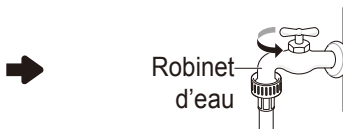
La lessive est chaude ou froissée après avoir été lavée.



Réinstallez les tuyaux d'entrée d'eau.

Le robinet est fermé.

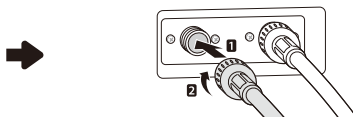
Il n'y a pas d'approvisionnement en eau.



Ouvrez le robinet d'eau.

Mauvaise installation des tuyaux d'arrivée d'eau ou utilisation d'autres marques de tuyaux d'arrivée d'eau

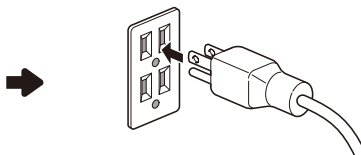
Fuites



Réinstallez les tuyaux d'alimentation ou remplacez-les par des tuyaux approuvés.

Branchement desserré du cordon d'alimentation ou problème lié à la prise de courant.

Aucun problème d'alimentation



Rebranchez le cordon d'alimentation ou remplacez la prise de courant.

Mauvaise installation ou utilisation du produit

Les déplacements du technicien d'entretien pour livrer, ramasser ou installer le produit, ou pour donner des instructions sur son utilisation.



La garantie couvre les défauts de fabrication seulement. Le service causé par une installation incorrecte n'est pas couvert.

Le retrait et la réinstallation du produit.

Accidents, insectes nuisibles, vermine, foudre, vent, incendie, inondation ou catastrophe naturelle



L'entretien résultant de catastrophes naturelles plutôt que de défauts de fabrication n'est pas couvert par la garantie.

Produit endommagé

