



Bottom Mount Refrigerator

PRODUCT MODEL NUMBERS

MBF1958 MBF2258
 MBR1957FE

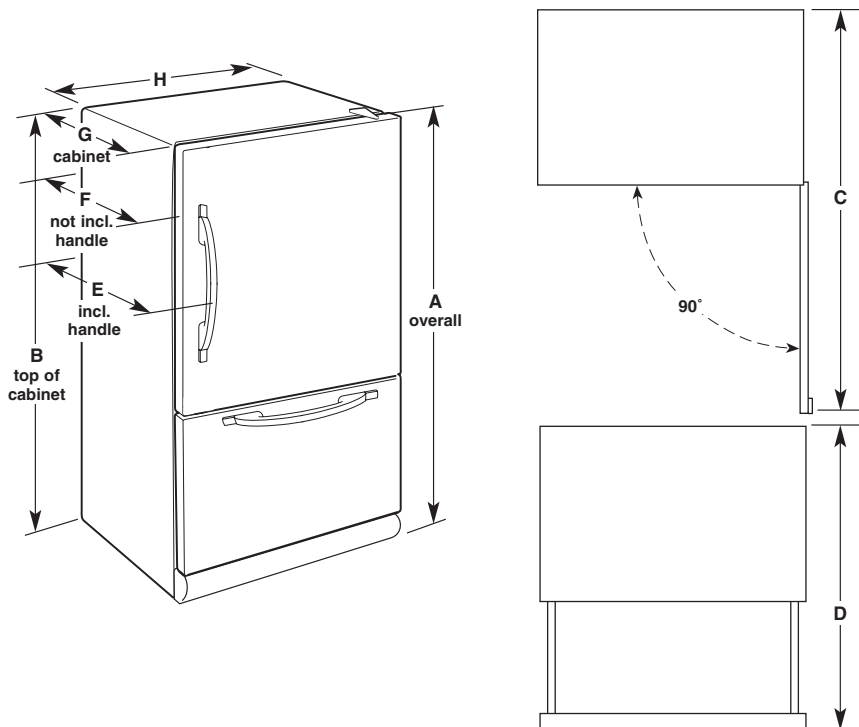
Electrical: A 115-volt, 60-Hz, AC-only, 15- or 20-amp fused, grounded electrical supply is required. It is recommended that a separate circuit serving only your refrigerator be provided. Use an outlet that cannot be turned off by a switch. Do not use an extension cord.

NOTE: Before performing any type of installation, cleaning, or removing a light bulb, turn the control (Thermostat, Refrigerator or Freezer Control depending on the model) to OFF and then disconnect the refrigerator from the electrical source. When you are finished, reconnect the refrigerator to the electrical source and reset the control (Thermostat, Refrigerator or Freezer Control depending on the model) to the desired setting. See "Using the Controls."

Water: A cold water supply with water pressure between 30 and 120 psi (207 and 827 kPa) is required to operate ice maker and water dispenser. If you have questions about your water pressure, call a licensed, qualified plumber. **IMPORTANT:** The pressure of the water coming out of a reverse osmosis system going to the water inlet valve of the refrigerator needs to be between 30 and 120 psi (207 and 827 kPa).

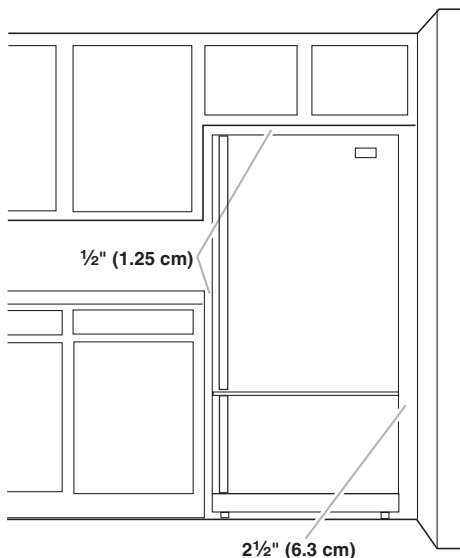
Reverse Osmosis Water Supply: If a reverse osmosis water filtration system is connected to your cold water supply, the water pressure to the reverse osmosis system needs to be a minimum of 40 to 60 psi (276 to 414 kPa).

PRODUCT DIMENSIONS



| Model Number | Model Size | Height - Overall "A" | Height - Top of Cabinet "B" | Depth - Doors Open 90° "C" | Depth - Drawer Open "D" | Depth - With Handles "E" | Depth - Without Handles "F" | Depth - Cabinet Only "G" | Width - Cabinet "H" |
|----------------------|--------------|----------------------|-----------------------------|----------------------------|-------------------------|--------------------------|-----------------------------|--------------------------|---------------------|
| MBF1958 MBR1957FE | 18.7 cu. ft. | 67" (170.2 cm) | 65½" (166.4 cm) | 59" (149.9 cm) | 50¾" (128.9 cm) | 33¾" (84.8 cm) | 30⅞" (78.4 cm) | 28⅞" (71.4 cm) | 29⅞" (75.2 cm) |
| MBF2258 | 22.1 cu. ft. | 70" (177.8 cm) | 68½" (174.0 cm) | 62" (157.5 cm) | 50¾" (128.9 cm) | 33¾" (84.8 cm) | 30⅞" (78.4 cm) | 28⅞" (71.4 cm) | 32⅞" (82.9 cm) |

LOCATION REQUIREMENTS



To ensure proper ventilation for your refrigerator, allow for a ½" (1.25 cm) space on each side and at the top. Allow at least 1" (2.54 cm) between back of cabinet and the wall. If your refrigerator has an ice maker, make sure you leave some extra space at the back for the water line connections.

If you are installing your refrigerator next to a fixed wall, leave 2½" (6.3 cm) minimum on the hinge side (depending on your model) to allow for the door to swing open.

NOTE: It is recommended that you do not install the refrigerator near an oven, radiator, or other heat source, nor in a location where the temperature will fall below 55°F (13°C).