



# MAYTAG NEPTUNE<sup>®</sup> WASHER

# USE & CARE

## G U I D E

### TABLE OF CONTENTS

Safety Instructions .....	1-2
Operating Instructions .....	3
Using the Controls .....	4-8
Water Use .....	8
Detergent Use .....	9
Features .....	9-10
Care and Cleaning .....	11
Storing the Washer .....	12
Troubleshooting .....	12-14
Warranty .....	15
Guide d'utilisation et d'entretien .....	16
Guía de Uso y Cuidado .....	32

## WELCOME

Welcome and congratulations on your purchase of a Maytag Neptune® washer! Your complete satisfaction is very important to us. For best results, we suggest reading this material to help acquaint you with proper operating and maintenance procedures.

Should you need assistance in the future, it is helpful to:

- 1) Have complete model and serial number identification of your washer.

Date of Purchase \_\_\_\_\_

Model Number \_\_\_\_\_

Serial Number \_\_\_\_\_

- 2) **IMPORTANT: Keep this guide and the sales receipt in a safe place for future reference. Proof of original purchase date is needed for warranty service.**

If you have questions, call:

Maytag Customer Assistance  
1-800-688-9900 USA  
1-800-688-2002 CANADA  
(Mon.–Fri., 8am–8pm Eastern Time)  
Internet: <http://www.maytag.com>

U.S.A. customers using TTY for deaf, hearing impaired or speech impaired, call 1-800-688-2080.

**NOTE: In our continuing effort to improve the quality of our appliances, it may be necessary to make changes to the appliance without revising this guide.**

**For service and warranty information, see page 15.**

## IMPORTANT SAFETY INSTRUCTIONS

read before operating your washer

### WHAT YOU NEED TO KNOW ABOUT SAFETY INSTRUCTIONS

Warning and Important Safety Instructions appearing in this manual are not meant to cover all possible conditions and situations that may occur. Common sense, caution, and care must be exercised when installing, maintaining or operating appliance.

Always contact your manufacturer about problems or conditions you do not understand.

### RECOGNIZE SAFETY SYMBOLS, WORDS, LABELS

#### **WARNING**

**WARNING** – Hazards or unsafe practices which **COULD** result in severe personal injury or death.

#### **CAUTION**

**CAUTION** – Hazards or unsafe practices which **COULD** result in minor personal injury or property damage.

# SAVE THESE INSTRUCTIONS

# IMPORTANT SAFETY INSTRUCTIONS

## WARNING

To reduce the risk of fire, electric shock or injury to persons when using the appliance, follow basic precautions, including the following:

1. Read all instructions before using the appliance.
2. As with any equipment using electricity and having moving parts, there are potential hazards. To use this appliance safely, the operator should become familiar with the instructions for operation of the appliance and always exercise care when using it.
3. Do not install or store this appliance where it will be exposed to the weather.
4. Install and level the clothes washer on a floor that can support the weight.
5. This appliance must be properly grounded. Never plug the appliance cord into a receptacle which is not grounded adequately and in accordance with local and national codes. See installation instructions for grounding this appliance.
6. To avoid the possibility of fire or explosion:
  - Do not wash items that have been previously cleaned in, washed in, soaked in, or spotted with gasoline, dry-cleaning solvents, or other flammable or explosive substances as they give off vapors that could ignite or explode. Hand wash and line dry any items containing these substances.

Any material on which you have used a cleaning solvent, or which is saturated with flammable liquids or solids, should not be placed in the clothes washer until all traces of these liquids or solids and their fumes have been removed.

These items include acetone, denatured alcohol, gasoline, kerosene, some liquid household cleaners, some spot removers, turpentine, waxes and wax removers.

  - Do not add gasoline, dry-cleaning solvents, or other flammable or explosive substances to the wash water. These substances give off vapors that could ignite or explode.
  - Under certain conditions, hydrogen gas may be produced in a hot water system that has not been used for 2 weeks or more. **HYDROGEN GAS IS EXPLOSIVE.** If the hot water system has not been used for such a period, before using a washing machine or combination washer-dryer, turn on all hot water faucets and let the water flow from each for several minutes. This will release any accumulated hydrogen gas. As the gas is flammable, do not smoke or use an open flame during this time.
7. Unplug power supply cord before attempting to service your clothes washer.
8. Do not reach into the appliance if the tumbler is moving.
9. Do not allow children to play on or in the appliance. Close supervision of children is necessary when the appliance is used near children.
10. Do not tamper with controls.
11. Do not repair or replace any part of the appliance or attempt any servicing unless specifically recommended in published user-repair instructions that you understand and have the skills to carry out.
12. Store laundry aids and other material in a cool, dry place where children cannot reach them.
13. Do not wash or dry items that are soiled with vegetable or cooking oil. These items may contain some oil after laundering. Due to the remaining oil, the fabric may smoke or catch fire by itself.
14. Do not use chlorine bleach and ammonia or acids (such as vinegar or rust remover) in the same wash. Hazardous fumes can form.
15. Do not machine wash fiberglass materials. Small particles can stick to fabrics washed in following loads and cause skin irritation.
16. Before the appliance is removed from service or discarded, remove the door to the washing compartment.
17. Do not sit on top of the clothes washer.
18. Inlet hoses are subject to damage and deterioration over time. Check the hoses periodically for bulges, kinks, cuts, wear or leaks and replace them every five years.

# OPERATING INSTRUCTIONS

For detailed information on sorting, pretreating stains, etc., see the enclosed **Laundering Tips** booklet.

## LOAD THE CLOTHES WASHER

- The tub can be loaded completely full with dry, unfolded clothes. However, **DO NOT** pack the tub tightly.
- Overloading may reduce washing efficiency, cause excess wear and possibly cause creasing or wrinkling of the load.
- Wash delicate items such as bras, hosiery and other lingerie in the Delicates or Hand Wash (select models) cycle with similar lightweight items.
- When washing big bulky items or a couple of small items that do not fill the tub completely, such as a rug, a few towels should be added for improved tumbling and spin performance.
- When washing smaller, bulky items that do not fill the tub completely such as a rug, one pillow, stuffed toys or one or two sweaters, a few towels should be added for improved tumbling and spin performance.
- When washing heavily soiled loads, it is very important to avoid overloading the washer to assure good cleaning results.
- To add a forgotten item in the Super Wash, Normal, Whites (select models), Colors (select models), Wrinkle Control or Quick Wash cycles, press the **Cycle Selector** dial, wait for the Door Lock light to go out (5 seconds), add the item, close the door and press the **Cycle Selector** dial. After a pause of one to two minutes, the cycle will resume.
- Close door carefully to avoid slamming.

**NOTE:** To ensure that your additional items get clean, do not wait more than five minutes after the cycle has started to add the item.

## GETTING STARTED

1. Load the washer loosely – **DO NOT** overload.
2. Close the door.
3. Add detergent and additives to the dispenser (see pages 9-10).
4. Select the appropriate cycle and options for the load, (see pages 4-7).
5. Press the **Cycle Selector** dial.
6. The Wash Indicator light will illuminate.
7. The estimated cycle time will appear in the display. The time may fluctuate to better indicate the wash time remaining in the cycle.
8. Before the washer starts to fill, it will make a series of clicking noises to check the door lock and do a quick drain.

### NOTES:

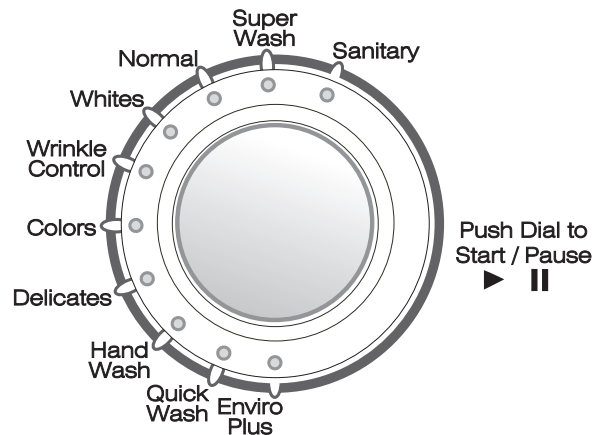
- When the cycle is complete, the Door Lock light will go out and “End” or “00” (select models) will appear in the display.
- **DO NOT** attempt to open the door until the Door Lock light is off. To add a forgotten item, see “Load the Clothes Washer” section.
- When the washer is restarted after a pause, there will be a delay of up to 15 seconds before the cycle will continue.
- Pressing **Power Off** cancels the cycle and stops the washer.
- The Wash, Rinse and Spin indicator lights will illuminate during those portions of the cycle.

# USING THE CONTROLS

Control features vary by model.

## Step 1

### SELECT CYCLE



Select the appropriate cycle for the type of load.  
This will determine the tumble pattern and spin speed for the cycle.

**NOTE:** To minimize wrinkling of loads, select the Wrinkle Control cycle.

**Sanitary** (select models) – For heavily soiled, colorfast garments.  
This cycle heats the water to 150°F to eliminate bacteria.

**NOTE:** If Pause is selected during the heating portion of the Sanitary Cycle, the washer door will remain locked for your safety.

**Super Wash** – For sturdy, colorfast fabrics and heavily soiled garments.

**Normal** – For most fabrics including cottons, linens and normally soiled garments.

**Whites** (select models) – For white fabrics with or without bleach.

**Wrinkle Control** – For “wash and wear” and synthetic fabrics and lightly to normally soiled garments.

**Colors** (select models) – For bright fabrics or fabrics that may bleed.

**Delicates** – For sheer fabrics, bras and lingerie.

**Hand Wash** – For wool, silk and other hand-wash-only fabrics.  
For best results, use liquid detergent.

**Quick Wash** – For lightly soiled or wrinkled garments needed quickly.

**Enviro Plus** (select models) – For geographic areas where energy and water conservation is needed.

# USING THE CONTROLS

Control features vary by model.

## Step 2

### SELECT WASH/RINSE WATER TEMPERATURES

Press the arrow pad to select the wash and rinse water temperatures. Follow the garment care label and chart below for best results.

**Sanitary/Cold** (select models) – Heavily soiled, colorfast items. Only available with the Sanitary cycle.

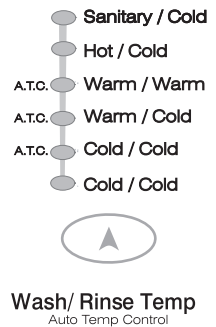
**Hot/Cold** – Whites and heavily soiled color-fast items.

**ATC Warm/Warm** – Color-fast items. When warm rinse is selected, only the final rinse will be warm. The other rinses will be cold to conserve energy.

**ATC Warm/Cold** – Moderately soiled, color-fast items; most wrinkle free items.

**ATC Cold/Cold** – Brightly colored, lightly soiled items.

**Cold/Cold** – Brightly colored, very lightly soiled items; washable woolens.



**IMPORTANT:** The washer features an automatic temperature control (ATC) to provide a warm wash of approximately 105° F, a cold wash of approximately 65° F and a warm rinse of approximately 80° F in the final rinse only on the ATC temperature selections.

**REMEMBER:** In wash water temperatures below 65° F, detergents do not dissolve well or clean well.

## Step 3

### SELECT SPIN SPEED

Press the arrow pad to select the spin speed.

**Max Extract or Max Extract Plus** (select models) – Use for heavy loads such as towels and bedding. Removes more water from loads during spin.

**FABRICS NOTE:** To minimize wrinkling of wrinkle free and no-iron fabrics, do not use the Max Extract or Max Extract Plus spin option for these loads. Also, DO NOT overload the washer.

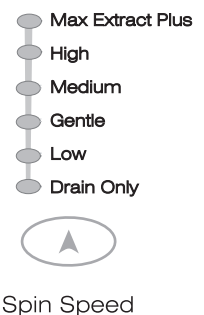
**High** (select models) – Use for underwear, t-shirts, jeans and sturdy cottons.

**Medium** – Use for jeans, wrinkle free or “wash-and-wear” items and synthetics.

**Gentle** – Use for items that will be hung up or laid flat to dry.

**Low** – Use for delicate items needing a slow spin speed because of fabric and construction.

**Drain Only** (select models) – Drains the washer without spinning. Use for extremely delicate items that cannot tolerate any spin.



# USING THE CONTROLS

Control features vary by model.

## Step 4

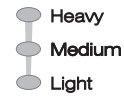
### SELECT SOIL LEVEL

Press the arrow pad to select the Soil Level/washing time.

**Heavy** – Use for cleaning heavily soiled loads.

**Medium** – Use for cleaning moderately soiled loads. This setting will be appropriate for most loads.

**Light** – Use for cleaning lightly soiled loads.



Soil Level

## Step 5

### SELECT CYCLE OPTIONS

Press the appropriate pad(s) to select one or more options. The indicator light above the pad will illuminate when the option is selected.

**Delay** – Any cycle can be delayed for up to 9, 12 or 19 hours (select models) in one hour increments.

1. Make the appropriate selections for your load.
2. Press the **Delay** pad until the desired delay time appears in the display.
3. Press the **Cycle Selector** dial. The delay time will start counting down.
4. To cancel a delay, press the **Power Off** pad and restart.

**Chime** – Press the **Chime** pad to increase or decrease the end of cycle signal volume or turn the signal off.

**Control Lock** – The washer controls can be locked to prevent unwanted use by children.

1. Press the **Wash/Rinse Temp** and **Spin Speed** pads at the same time for three seconds.
2. The Control Lock light will illuminate.
3. To unlock, press the **Wash/Rinse Temp** and **Spin Speed** pads at the same time for three seconds. The Control Lock light will go out.



Chime



Wash/ Rinse Temp  
Auto Temp Control

Spin Speed



cont.

# USING THE CONTROLS

Control features vary by model.

## SELECT CYCLE OPTIONS, CONT.

Press the appropriate pad(s) to select one or more options. The indicator light above the pad will illuminate when the option is selected.

**Prewash** (select models) – Can be selected with any cycle. Add detergent to the pre-wash section of the detergent compartment. Washer fills with cold water and detergent, tumbles for 25 minutes, then drains and advances to the selected cycle.

**Stain Treat** (select models) – Adds 5 minutes to the wash for better stain removal.

**Extra Rinse** – Adds an additional rinse at the end of the cycle to more thoroughly remove laundry additives and perfumes.

**Extended Spin** (select models) – Adds additional time to the spin to remove more water from the load.

**Rinse and Spin** – Use for loads that need rinsing only or to add rinse-added fabric softener to a load.

**Spin Only** – Provides a spin to remove more water from the load.



## Step 6

### START THE WASHER

To start the washer, press the **Cycle Selector** dial. Before the washer starts to fill, it will make a series of clicking noises to check the door lock and do a quick drain.

#### Changing a Cycle

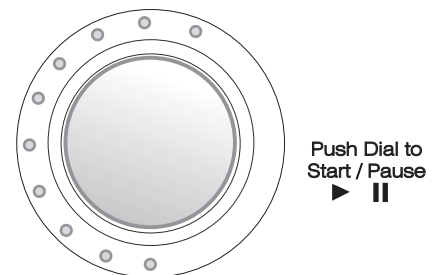
If an incorrect cycle has been accidentally selected:

1. Press the **Cycle Selector** dial.
2. Turn the **Cycle Selector** dial to the desired cycle.
3. Set the desired options for the cycle.
4. Press the **Cycle Selector** dial. The Wash indicator lights stop flashing and the new cycle starts.

#### Canceling a Cycle

To cancel a cycle:

1. Press the **Power Off** pad.
2. Select the **Rinse and Spin** or **Spin Only** option pad.
3. Press the **Cycle Selector** dial. The Spin light illuminates and the washer starts the rinse or spin.





# USING THE CONTROLS

Control features vary by model.

## ESTIMATED TIME DISPLAY (SELECT MODELS)

After setting the cycle and pressing **Cycle Selector** dial, the display will show the estimated minutes remaining in the cycle. The estimated time remaining may fluctuate to better indicate the wash time left in the cycle.



## INDICATOR LIGHTS

**Door Lock** – lights whenever the door of the clothes washer is locked. The door can be unlocked by pressing the **Cycle Selector** dial to pause the washer.

**Control Lock** – The washer controls can be locked to prevent unwanted use by children.

1. Press the **Wash/Rinse Temp** and **Spin Speed** pads at the same time for three seconds.
2. The Control Lock light will illuminate.
3. To unlock, press the **Wash/Rinse Temp** and **Spin Speed** pads at the same time for three seconds. The Control Lock light will go out.



**Cycle Indicator Lights** – The Wash, Rinse and Spin lights at the top of the control panel will illuminate progressively to indicate when the washer is in those portions of the cycle. These lights will flash when the cycle has been paused.

**Pad Indicator Lights** – The indicator lights above the pads will illuminate when the pad is selected.

**Cycle Setting Indicator Lights** – Indicator lights by the cycle settings will illuminate when the selection is made.



# WATER USE

## INTELLIFILL™ WATER LEVEL CONTROL

The amount of water used will vary with each load. The Maytag Neptune® clothes washer will automatically provide the appropriate amount of water for efficient cleaning performance and conservation of water and energy. Fill time will vary depending on water pressure.

## DETERGENT USE

Your Maytag Neptune® washer is designed to use high efficiency (HE) detergents.



- For best cleaning results, use a high efficiency detergent such as Tide HE, Wisk HE, Cheer HE or Gain HE\*. High efficiency detergents contain suds suppressors which reduce or eliminate suds. When less suds are produced, the load tumbles more efficiently and cleaning results are maximized.

If HE detergent is not available, regular detergent may be used.

- If using regular detergent formulated for top-loading washers, it is important to pay close attention to the soil level of the load, load size, and water hardness\*\*. **To avoid over-sudsing, which interferes with tumbling, rinsing and spinning and causes extended cycle times, reduce the amount of detergent used with soft water or with small or lightly soiled loads.**

**NOTE:** Reducing the amount of detergent may reduce cleaning. It is important to pretreat stains, sort carefully by color and soil level and avoid overloading.

\* Brand names are trademarks of the respective manufacturers.

\*\* To determine water hardness in your area, contact your local water utility or State University Extension office in your area.

## FEATURES

### AUTOMATIC DISPENSER

The washer has separate compartments for dispensing detergent and color-safe bleach, chlorine bleach and fabric softener. All laundry additives are added to their respective compartments before starting the washer.

**The Automatic Dispenser MUST ALWAYS be in place before starting the washer. DO NOT open the Automatic Dispenser when the washer is running.**

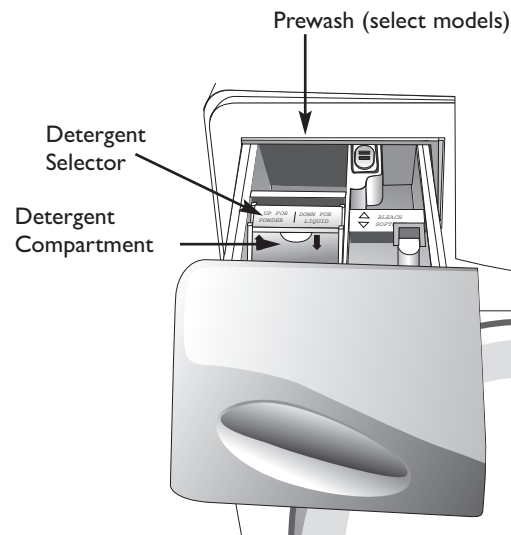
#### To use:

1. Pull out the dispenser drawer on the left side of the control panel.
2. Fill appropriate compartments with laundry additives, being careful not to overfill or spill additives.
3. Slide the dispenser drawer carefully and completely back into the compartment.

### DETERGENT COMPARTMENT

1. Pour the recommended amount of laundry detergent directly into the detergent compartment before starting the washer.
2. If color-safe bleach is to be used, it should be added with detergent to the detergent compartment.
  - When adding color-safe bleach with detergent, it is best if both laundry products are in the same form; granular or liquid.

**NOTE:** If using liquid detergent, lower the Detergent Selector and add the detergent to the Detergent Compartment.



### PREWASH COMPARTMENT (SELECT MODELS)

When using the Prewash option (select models), detergent should be added to both the Prewash Compartment and the Detergent Compartment. The detergent will be automatically dispensed during prewash.

- If high efficiency (HE) detergent is used, add 1/3 of the recommended amount to the Prewash Compartment and 2/3 of the recommended amount to the Detergent Compartment.
- If regular detergent is used, add 1/6 of the recommended amount to the Prewash Compartment and 1/3 of the recommended amount to the Detergent Compartment.

# FEATURES

## BLEACH COMPARTMENT

(Liquid Chlorine Bleach Only)

1. Add chlorine bleach to the Bleach Compartment. **DO NOT** exceed the MAX FILL line.
2. Avoid splashing or over-filling the compartment.
3. The washer automatically dispenses bleach into the tub at the appropriate time.
4. The dispenser automatically dilutes liquid chlorine bleach before it reaches the wash load.

### NOTES:

- **Never pour undiluted liquid chlorine bleach directly onto the load or into the tub.** It is a powerful chemical and can cause fabric damage, such as weakening of the fibers or color loss, if not used properly.
- If you prefer to use color-safe, non-chlorine bleach, add it to the appropriate detergent compartment. **DO NOT pour color-safe bleach into the chlorine bleach dispenser.**

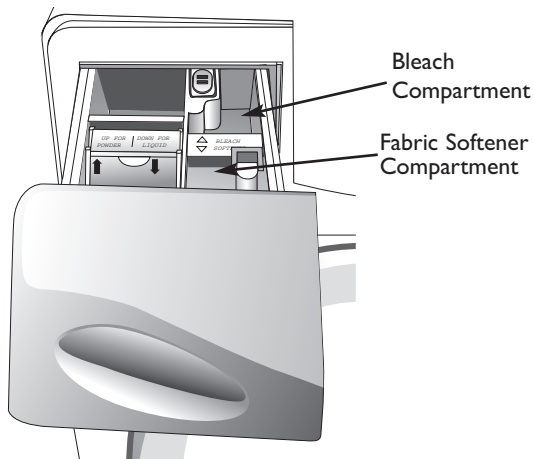
## FABRIC SOFTENER COMPARTMENT

1. Pour the recommended amount of liquid fabric softener into the softener compartment. For smaller loads, use less than one cap full.
2. Fabric softener should be diluted with warm water until it reaches MAX FILL in the compartment.
3. The dispenser automatically releases liquid fabric softener at the proper time during the rinse cycle.

### NOTES:

- Use the softener compartment **ONLY** for liquid fabric softeners.
- **DO NOT** use the Downy Ball® with this washer. It will not add fabric softener at the appropriate time. Use the automatic dispenser.

\* Brand names are trademarks of the respective manufacturers.



## CARE AND CLEANING

**Turn off the water faucets after finishing the day's washing.** This will shut off the water supply to the clothes washer and prevent the unlikely possibility of damage from escaping water. Leave the door open to allow the inside of the washer to dry out.

Use a soft cloth to wipe up all detergent, bleach or other spills as they occur.

Clean the following as recommended:

**Control Panel** – Clean with a soft, damp cloth. Do not use abrasive powders or cleaning pads. Do not spray cleaners directly on the panel.

**Cabinet** – Clean with soap and water.

### CLEANING THE INTERIOR

Clean the interior of the washer periodically to remove any dirt, soil, odor, mold, mildew or bacteria residue that may remain in the washer as a result of washing clothes. We recommend taking the following steps every 60 to 120 days to clean and freshen your washer interior. The frequency with which the washer should be cleaned and freshened depends on factors such as usage, the amount of dirt, soil or bacteria being run through your washer, or the use of cold water. Failure to follow these instructions may result in unsatisfactory conditions, including unpleasant odor and/or permanent stains on the washer or washload.

#### To clean and freshen the washer interior:

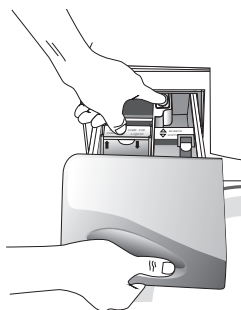
1. Make a solution of one cup chlorine bleach and two cups warm water. Be careful not to spill or splash the bleach solution.
2. Wipe the door seal with bleach solution and a soft cloth.
3. Fill bleach dispenser with chlorine bleach.
4. Run the washer through a complete cycle using hot water.
5. Repeat the wash cycle if necessary.

Hard water deposits may be removed, if needed. Use a recommended cleaner labeled clothes washer safe.

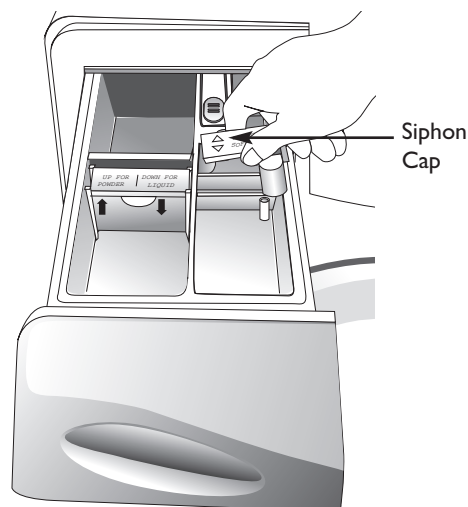
### CLEANING THE DISPENSERS

The Automatic Dispenser may need to be cleaned periodically due to laundry additive buildup.

1. Press the release lever on the inside of the dispenser and pull out.



2. Remove the cups from the fabric softener and bleach compartments.
3. Wash all of the parts under running water.
4. Clean the dispenser recess with a soft brush.
5. Reinsert the cups, pushing them firmly into place.
6. Push the dispenser back into place.
7. Run a Rinse & Spin cycle without any load in the washer.



## STORING THE CLOTHES WASHER

Washers can be damaged if water is not removed from hoses and internal components before storage. Prepare the washer for storage as follows:

- Select the **Quick Wash** cycle and add bleach to the automatic dispenser. Run the washer through the cycle without a load.
- Turn the water faucets off and disconnect the inlet hoses.

- Disconnect the clothes washer from the electrical supply and leave the washer door open to let air circulate inside the tumbler.
- If the washer has been stored in below-freezing temperatures, allow time for any water left over in the washer to thaw out before use.

For information on long-term storage or storage of your washer during extreme cold temperatures, call Maytag Customer Service toll-free at 1-800-688-9900 USA or 1-800-688-2002 Canada. U.S. customers using TTY for deaf, hearing impaired or speech impaired, call 1-800-688-2080.

## TROUBLESHOOTING

For problem laundry solutions (i.e. fabric damage, residue, tangling) and special laundry care procedures, see the enclosed **Laundering Tips** booklet.

### CHECK THESE POINTS IF YOUR MAYTAG NEPTUNE® WASHER...

#### Freshening your washer

- See Cleaning the Interior, page 11.

#### The washer will not start

- Make sure door is firmly closed.
- Make sure the washer is plugged in.
- Make sure the water source faucets are turned on.
- Make sure to press the **Cycle Selector** dial to start the washer.
- Make sure the Control Lock is not activated, see page 6.
- Before the washer starts to fill, it will make a series of clicking noises to check the door lock and do a quick drain.

#### No water or insufficient water supply

- Turn both faucets on fully.
- Make sure the door is tightly closed.
- Make sure the washer is plugged in.
- Check fuse or reset circuit breaker.
- Press the **Cycle Selector** dial to start the washer.
- Straighten water inlet hoses.
- Disconnect hoses and clean screens. Hose filter screens may be plugged.
- Open and close the door, then press the **Cycle Selector** dial.

#### Detergent remains in the automatic dispenser after the wash cycle is complete

- Make sure the washer is running with sufficient water pressure. See Installation Instructions.
- Make sure the Detergent Selector is in the upper position when using granular detergent.

#### Washer vibrates or is too noisy

- Make sure the washer is set on a level surface. If the surface is not level, adjust the washer feet to level the appliance. See Installation Instructions.
- Make sure that the shipping bolts are removed. See Installation Instructions.
- Make sure the washer is not touching any other object.
- Make sure the laundry load is balanced.

CONT.

# TROUBLESHOOTING

## CHECK THESE POINTS IF YOUR MAYTAG NEPTUNE® WASHER...

<p><b>Stops</b></p>	<ul style="list-style-type: none"> <li>• Plug cord into live electrical outlet.</li> <li>• Check fuse or reset circuit breaker.</li> <li>• Close door and press the <b>Cycle Selector</b> dial to start the washer. For your safety, the washer will not tumble or spin unless the door is closed.</li> <li>• Before the washer starts to fill, it will make a series of clicking noises to check the door lock and do a quick drain.</li> <li>• This may be a pause or soak period in the cycle. Wait briefly and it may start.</li> <li>• Check screens on inlet hoses at the faucets for obstructions. Clean screens periodically.</li> </ul>
<p><b>Fills with the Wrong Temperature Water</b></p>	<ul style="list-style-type: none"> <li>• Turn both faucets on fully.</li> <li>• Make sure temperature selection is correct.</li> <li>• Make sure hoses are connected to correct faucets. Flush water lines.</li> <li>• Check the water heater. It should be set to deliver a minimum 120° F (49° C) hot water at the tap. Also check water heater capacity and recovery rate.</li> <li>• Disconnect hoses and clean screens. Hose filter screens may be plugged.</li> <li>• As the washer is filling, the water temperature may change as the automatic temperature control feature checks incoming water temperature. This is normal.</li> <li>• While the washer is filling, you may notice just hot and/or just cold water going through the dispenser when cold or warm wash temperatures are selected. This is a normal function of the automatic temperature control feature as the washer determines the temperature of the water.</li> </ul>
<p><b>Won't tumble</b></p>	<ul style="list-style-type: none"> <li>• Check fuse or reset circuit breaker.</li> <li>• Close the door and press the <b>Cycle Selector</b> dial. For your safety, the washer will not tumble or spin unless the door is closed.</li> </ul>
<p><b>Door locked shut; will not open</b></p>	<ul style="list-style-type: none"> <li>• Press the <b>Cycle Selector</b> dial to stop the washer.</li> <li>• The washer door will remain locked during the heating portion of the Sanitary Cycle (select models).</li> <li>• It may take a few moments for the door lock mechanism to disengage.</li> </ul>
<p><b>The washer does not drain and/or spin</b></p>	<ul style="list-style-type: none"> <li>• Check fuse or reset circuit breaker.</li> <li>• Straighten drain hoses. Eliminate kinked hoses. If there is a drain restriction, call for service.</li> <li>• Close the door and press the <b>Cycle Selector</b> dial. For your safety, the washer will not tumble or spin unless the door is closed.</li> </ul>
<p><b>Load is too wet at end of cycle</b></p>	<ul style="list-style-type: none"> <li>• Use the High or Max Extract spin speed.</li> <li>• Use high efficiency detergent to reduce over-sudsing.</li> <li>• Load is too small. Very small loads (one or two items) may become unbalanced and not spin out completely.</li> </ul>
<p><b>Leaks Water</b></p>	<ul style="list-style-type: none"> <li>• Make sure door is firmly closed.</li> <li>• Make sure hose connections are tight.</li> <li>• Make sure end of drain hose is correctly inserted and secured to drain facility.</li> <li>• Avoid overloading.</li> <li>• Use high efficiency detergent to prevent over-sudsing.</li> </ul>
<p><b>Excessive Suds</b></p>	<ul style="list-style-type: none"> <li>• Use high efficiency detergent to prevent over-sudsing.</li> <li>• Reduce detergent amount for soft water, small or lightly soiled loads.</li> </ul>

For further assistance, call Maytag Customer Service toll-free at 1-800-688-9900 USA or 1-800-688-2002 Canada. U.S. customers using TTY for deaf, hearing impaired or speech impaired, call 1-800-688-2080.

# TROUBLESHOOTING

## INFORMATION CODES

Information codes may be displayed to help you better understand what is occurring with the washer.

Code Symbol	Meaning	Solution
dc	Unbalanced load prevented the washer from spinning.	Redistribute the load, press the <b>Cycle Selector</b> dial.
dL	Door is unlocked when washer is running.	Press <b>Power Off</b> pad then restart the cycle. If the code reappears, call for service, see below.
dS	Door is open when washer is running.	Close the door tightly and restart the cycle. If the code reappears, call for service, see below.
FL	The washer failed to lock the door.	Close the door tightly and restart the cycle. If the code reappears, call for service, see below.
H-	Water temperature control problem. (Heater Control problem)	Call for service, see below.
LE	The washer has tried to fill but has not reached the proper water level.	Call for service, see below.
LO	The door will not unlock.	Make sure the door is firmly closed. Push the <b>Power Off</b> pad to turn off the washer, and then turn it on using any pad. If the code reappears, call for service, see below.
E3	Motor not running properly.	Restart the cycle pressing the <b>Cycle Selector</b> dial. If the code reappears, call for service, see below.
nd	The washer is not draining.	See Troubleshooting “The washer does not drain and/or spin”, page 13. If problem continues, call for service, see below.
nF	The washer has tried to fill but was unsuccessful.	Make sure the water faucets are open all the way. Check for kinked hoses. Check inlet screens on fill hoses.
S-	Problem with control.	Call for service, see below.
PF	Electric service was lost when washer was running.	Restart the cycle by pressing the <b>Cycle Selector</b> dial.

For any codes not listed above, call Maytag Customer Service at 1-800-688-9900 USA or 1-800-688-2002 Canada.



# CLOTHES WASHER WARRANTY

## Neptune® Washer Warranty

### Full One-Year Warranty

For one (1) year from the date of original retail purchase, any part with fails in normal home use will be repaired or replaced free of charge.

### Limited Warranty

After the first year from the date of original retail purchase, through the time periods listed below, the parts designated below which fail in normal home use will be repaired or replaced free of charge for the part itself, with the owner paying all other costs including labor, mileage, transportation, trip charge and diagnostic charge, if required.

**Second Year** – All parts.

**Third Through Fifth Year** – Drive motor.

**Third Through Lifetime** – Stainless steel inner wash basket.

### Additional Limited Warranty Against Rust-

**Through** Should an exterior cabinet, including the top and door, rust through during the one year period starting from the date of retail purchase, repair or replacement will be made free of charge. After the first, and through the fifth year, repair or replacement will be made free of charge for the part itself, with the owner paying all other costs, including labor, mileage, transportation, trip charge and diagnostic charge, if required.

**Please Note:** This full warranty and the limited warranty apply when the washer is located in the United States or Canada. Washers located elsewhere are covered by the limited warranty only, including parts which fail during the first two years.

### Canadian Residents

This warranty covers only those appliances installed in Canada that have been listed with the Canadian Standards Association unless the appliances are brought into Canada due to transfer of residence from the United States to Canada.

The specific warranties expressed above are the ONLY warranties provided by the manufacturer. This warranty gives you specific legal rights, and you may also have other rights that vary from state to state.

Use & Care Guides, service manuals and parts information are available from Maytag Services<sup>SM</sup>, Maytag Customer Assistance.

## What is Not Covered By These Warranties:

1. Conditions and damages resulting from any of the following:
  - a. Improper installation, delivery or maintenance.
  - b. Any repair, modification, alteration, or adjustment not authorized by the manufacturer or an authorized servicer.
  - c. Misuse, abuse, accidents or unreasonable use.
  - d. Incorrect electric current, voltage or supply.
  - e. Improper setting of any control.
2. Warranties are void if the original serial numbers have been removed, altered or cannot be readily determined.
3. Light Bulbs
4. Products purchased for commercial or industrial use.
5. The cost of service or service call to:
  - a. Correct installation errors.
  - b. Instruct the user on the proper use of the product.
  - c. Transport the appliance to the servicer.
6. Consequential or incidental damages sustained by any person as a result of any breach of these warranties.

Some states do not allow the exclusion or limitation of consequential or incidental damages, so the above exclusion may not apply.

## To Obtain Warranty Service

To locate an authorized service company in your area, contact the dealer from whom your appliance was purchased; or call Maytag Services<sup>SM</sup>, Maytag Customer Assistance. Should you not receive satisfactory warranty service, please call or write:

Maytag Services<sup>SM</sup>  
Attn: CAIR® Center  
P.O. Box 2370  
Cleveland, TN 37320-2370  
**U.S. 1-800-688-9900**  
**Canada 1-800-688-2002**  
**U.S. Customers using TTY for deaf, hearing impaired or speech impaired, call 1-800-688-2080.**

### NOTE:

When contacting Maytag Services<sup>SM</sup>, Maytag Customer Assistance about a service problem, please include the following:

- a. Your name, address and telephone number;
- b. Model number and serial number of your appliance;
- c. Name and address of your dealer and the date the appliance was purchased;
- d. A clear description of the problem you are having;
- e. Proof of purchase.





# LAVEUSE MAYTAG NEPTUNE®

---

# GUIDE

---

## D'UTILISATION ET D'ENTRETIEN

### TABLE DES MATIÈRES

Instructions de sécurité importantes .....	17-18
Mode d'emploi .....	19
Utilisation des commandes .....	20-24
Consommation d'eau .....	24
Utilisation de détergent .....	25
Caractéristiques .....	25-26
Entretien et nettoyage .....	27
Rangement de la laveuse .....	28
Recherche de pannes .....	28-30
Garantie .....	31
Guía de Uso y Cuidado .....	32

## BIENVENUE

Bienvenue et félicitations pour votre achat d'une laveuse Maytag Neptune®! Il est très important pour nous que vous soyez totalement satisfait. Pour l'obtention des meilleurs résultats, nous vous suggérons de lire la totalité de ce guide pour vous familiariser avec les méthodes adéquates d'utilisation et entretien de l'appareil.

Pour tout besoin d'assistance à l'avenir:

- 1) Il sera utile de disposer immédiatement du numéro de modèle et du numéro de série de l'appareil.

Date d'achat \_\_\_\_\_

Numéro de modèle \_\_\_\_\_

Numéro de série \_\_\_\_\_

- 2) **IMPORTANT : Conservez ce guide et la facture d'achat en lieu sûr pour utilisation ultérieure. Une preuve de la date d'achat devra être présentée pour toute demande de travaux sous garantie.**

Pour toute question, téléphonez à :

Service à la clientèle de Maytag

1-800-688-2002 CANADA

(Lundi à vendredi, 8 h - 20 h, heure de l'Est)

Internet: <http://www.maytag.com>

**REMARQUE : Dans le cadre de nos pratiques d'amélioration constante de la qualité de nos appareils, des modifications peuvent être introduites sur les appareils sans que cela donne lieu à une révision de ce guide.**

**Pour l'information sur le service et la garantie, voir page 31.**

## INSTRUCTIONS DE SÉCURITÉ IMPORTANTES

lire ce qui suit avant d'utiliser la laveuse

### CE QU'IL FAUT SAVOIR À PROPOS DES CONSIGNES DE SÉCURITÉ

Les consignes de sécurité et les mises en garde présentées dans ce guide ne couvrent pas toutes les situations possibles. Faire preuve de jugement, de prudence et d'attention lors de l'installation, de l'entretien et de l'utilisation de l'appareil.

Lorsque survient un problème ou une situation inhabituelle, toujours communiquer avec le fabricant.

### RECONNAÎTRE LES ÉTIQUETTES, PHRASES OU SYMBOLES SUR LA SÉCURITÉ

#### **AVERTISSEMENT**

**AVERTISSEMENT** – Risques ou pratiques non sûres, qui **POURRAIENT** résulter en de graves blessures ou même la mort.

#### **ATTENTION**

**ATTENTION** – Risques ou pratiques non sûres qui **POURRAIENT** résulter en blessures mineures ou dégâts matériels.

## CONSERVER CES INSTRUCTIONS

# INSTRUCTIONS DE SÉCURITÉ IMPORTANTES

## **⚠ AVERTISSEMENT**

Pour minimiser les risques d'incendie, explosion, de choc électrique, dommages matériels ou blessures lors de l'utilisation de l'appareil, appliquer les précautions fondamentales, dont les suivantes.

1. Lisez toutes les instructions avant d'utiliser l'appareil.
2. Comme avec tout équipement fonctionnant à l'électricité et comportant des pièces mobiles, il existe toujours des possibilités de dangers. Pour utiliser cet appareil dans les meilleures conditions de sécurité, l'opérateur doit se familiariser avec les instructions de fonctionnement de l'appareil et user de prudence pendant son utilisation.
3. N'installez pas et ne remisez pas l'appareil dans un endroit où il est exposé aux intempéries.
4. Installez l'appareil et mettez-le de niveau sur un plancher pouvant porter son poids.
5. Cet appareil doit être correctement mis à la terre. Ne branchez jamais le câble électrique de l'appareil sur une prise murale non mise à la terre conformément aux codes locaux et nationaux. Voyez les instructions d'installation pour la mise à la terre de cet appareil.
6. Pour éviter les risques d'incendie ou d'explosion :
  - Ne lavez pas d'articles qui ont auparavant été nettoyés ou lavés à l'aide d'essence, de solvants de nettoyage à sec ou d'autres produits explosifs ou inflammables, ou qui en sont imbibés ou éclaboussés, car ces substances produisent des vapeurs qui peuvent s'enflammer ou exploser. Lavez à la main et séchez à l'air tout article contenant ces substances.

Tout tissu sur lequel des solvants de nettoyage ont été utilisés ou qui est saturé de liquides ou solides inflammables ne doit pas être mis dans la laveuse avant que toute trace et toute vapeur de ces liquides ou solides ne soient complètement éliminées.

Ces produits comprennent l'acétone, l'alcool dénaturé, l'essence, le kérosène, certains produits de nettoyage ménagers, les détachants, la térébenthine, les cires et les décapants de cire.

- N'ajoutez pas d'essence, de solvants de nettoyage à sec ou toute autre substance inflammable ou explosive à l'eau de lavage. Ces substances produisent des vapeurs qui peuvent s'enflammer ou exploser.
- Dans certaines conditions, il peut y avoir production d'hydrogène dans un système de chauffage d'eau qui n'est pas utilisé pendant 2 semaines ou plus. **L'HYDROGÈNE EST UN EXPLOSIF.** Si votre système de chauffage d'eau n'est pas utilisé sur une telle période, ouvrez tous les robinets d'eau chaude et laissez couler l'eau pendant plusieurs minutes avant d'utiliser votre laveuse ou votre ensemble machine à

laver-sècheuse. Ceci élimine toute accumulation d'hydrogène. Ce gaz étant inflammable, ne fumez pas et n'utilisez pas de flamme vive pendant ces quelques minutes.

7. Débranchez le cordon d'alimentation électrique avant d'essayer de réparer la laveuse.
8. N'introduisez pas une main ou un bras dans l'appareil si la cuve est en mouvement.
9. Ne permettez pas aux enfants de jouer sur ou à l'intérieur de l'appareil. Une supervision étroite des enfants est nécessaire lorsque l'appareil est utilisé à proximité d'enfants.
10. Ne modifiez pas les mécanismes de commande.
11. Ne réparez pas ou ne remplacez pas une pièce de l'appareil ou ne procédez pas à un dépannage, sauf si les instructions publiées le recommandent et que la personne effectuant la réparation les comprend et possède les connaissances voulues pour les exécuter.
12. Rangez les produits pour la lessive dans un endroit frais et sec hors d'atteinte des enfants.
13. Ne lavez pas ou ne séchez pas d'articles tachés d'huile végétale ou de cuisson. Ces articles pourraient être encore imprégnés d'huile après la lessive. Pour cette raison, le tissu pourrait émettre des fumées ou prendre feu de lui-même.
14. Ne mélangez pas de javellisant et d'ammoniaque ou d'acides (tels que du vinaigre ou du produit pour enlever la rouille) pour une même charge de linge. Des vapeurs nocives peuvent se former.
15. Ne lavez pas d'articles en fibre de verre à la machine. De petites particules peuvent se coller sur le linge lavé par la suite et provoquer des irritations cutanées.
16. Avant de retirer l'appareil du service ou de le mettre au rebut, retirez le couvercle du compartiment de lavage.
17. Ne vous asseyez pas sur la laveuse.
18. Les tuyaux d'alimentation se détériorent progressivement. Inspectez les tuyaux à intervalle régulier; recherchez dilatations, écrasements, coupures, fuites et indices d'usure. Remplacez les tuyaux après 5 ans de service.

# MODE D'EMPLOI

Pour obtenir des renseignements sur le tri, le prétraitement des taches, etc., consulter le livret ci-joint *Conseils pour la lessive*.

## CHARGEMENT DE LA LAVEUSE

- La cuve peut être complètement remplie de vêtements secs, non pliés. Cependant, il ne faut pas tasser le linge.
- La surcharge peut entraîner une réduction de l'efficacité du lavage, une usure excessive et le risque que le linge présente des plis et se froisse.
- Choisir le réglage **Delicates (Déliçats)** ou **Hand Wash (Lavage manuel)** (certains modèles) pour laver le linge délicat comme les soutiens-gorge et autres articles de lingerie avec d'autres articles légers.
- Lors du lavage de petits articles volumineux qui ne remplissent pas complètement la cuve comme un tapis, un oreiller, des jouets en peluche ou bien un ou deux chandails, quelques serviettes peuvent être ajoutées pour obtenir de meilleures performances de culbutage et d'essorage.
- Lors du lavage d'articles volumineux, mais plus petits, qui ne remplissent pas complètement la cuve comme un tapis, un oreiller, un jouet en peluche ou un ou deux chandails, quelques serviettes doivent être ajoutées pour améliorer la performance de culbutage et d'essorage.
- Lors du lavage de charges extrêmement souillées, il est très important d'éviter de surcharger la laveuse pour assurer de bons résultats.
- Pour ajouter un article oublié dans le super lavage, la normale, les blancs (certains modèles), les couleurs (certains modèles), la commande de ride ou le lavage rapide fait un cycle, appuyer sur la touche **Cycle Selector (Sélecteur)**, attendre que le témoin de verrouillage du porte s'éteigne, ajouter l'article, fermer le couvercle et appuyer sur la touche **Cycle Selector (Sélecteur)**. À la suite d'une pause d'une minute, au maximum, le cycle redémarrera.
- Fermer doucement le couvercle.

**REMARQUE :** Pour que l'article ajouté soit bien lavé, ne pas attendre plus de cinq minutes après le début du cycle pour ajouter l'article.

## DÉPART DE LA LAVEUSE

1. Mettez le linge, sans le tasser, dans la laveuse – NE la remplissez PAS excessivement.
2. Fermez la porte.
3. Mettez le détergent et les additifs dans le distributeur (voir pages 25-26).
4. Sélectionnez le cycle et les options qui conviennent au linge (voir pages 20-23).
5. Appuyez sur la touche **Cycle Selector (Sélecteur)**.
6. Le voyant de lavage s'allume.
7. La durée de lavage estimée paraît à l'afficheur. La durée peut fluctuer pour indiquer avec plus de précision la durée restante du cycle.
8. Avant que la laveuse ne commence à se remplir, elle fait une série de cliquetis pour vérifier le verrouillage de la porte et effectuer une brève vidange.

### Remarques :

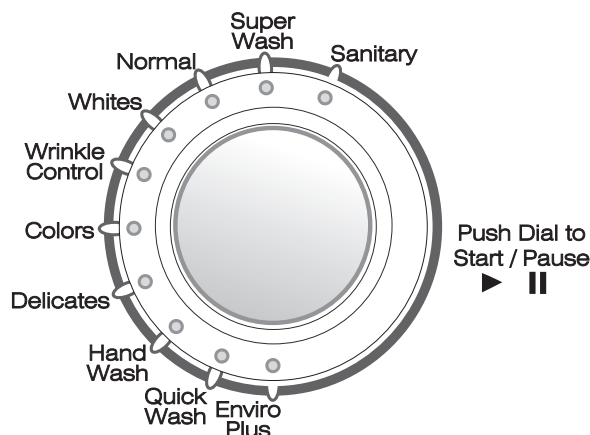
- Une fois le cycle terminé, le voyant du verrouillage de la porte s'éteint et **End (Fin)** ou **00** (certains modèles) paraît à l'afficheur.
- N'essayez PAS d'ouvrir la porte tant que le voyant du verrouillage de la porte n'est pas éteint. Pour ajouter un article oublié, reportez-vous *Chargement de la Laveuse*.
- Lorsque la laveuse est remise en marche à la suite d'une pause, 15 secondes maximum s'écouleront avant la reprise du cycle.
- Lorsque l'on appuie sur **Power Off (Arrêt)**, le cycle est annulé et la laveuse s'arrête.
- Les voyants **Wash (Lavage)**, **Rinse (Rinçage)** et **Spin (Essorage)** s'allument lorsque ces parties du cycle sont en cours.

# UTILISATION DES COMMANDES

## Étape 1

Les caractéristiques des commandes varient selon le modèle.

### SÉLECTION DU CYCLE



Appuyer sur la touche correspondant au type de linge.  
Ceci détermine le mode de culbutage et la vitesse d'essorage du cycle.

**REMARQUE :** Pour réduire le froissement du linge, sélectionner le cycle **Wrinkle Control** (Antifroissement).

**Sanitary (Sanitaire)** (certains modèles) – pour les vêtements grand teint, très sales.  
Ces cycles chauffent l'eau jusqu'à 66°C (150°F) pour éliminer les bactéries

**REMARQUE :** Si vous choisissez de mettre la laveuse en pause pendant la partie avec chauffage du cycle Sanitaire, la porte de la laveuse reste verrouillée pour des raisons de sécurité.

**Super Wash (Super lavage)** – pour les tissus robustes, grand teint et les vêtements très sales.

**Normal** – pour la majorité des tissus, y compris coton, linge de maison et vêtements normalement sales.

**Whites (Blancs)** (certains modèles) – pour les tissus blancs avec ou sans agent de blanchiment.

**Wrinkle Control (Antifroissement)** – pour les tissus synthétiques et les « lavez et portez » ainsi que les vêtements peu à normalement sales.

**Colors (Couleurs)** (certains modèles) – pour les tissus de couleurs vives ou qui peuvent déteindre.

**Delicates (Déliçats)** – pour les tissus transparents, soutiens-gorge et lingerie.

**Hand Wash (Lavage manuel)** – pour les tissus en laine, en soie et autres tissus lavables à la main seulement. Utilisez du détergent liquide pour obtenir de meilleurs résultats.

**Quick Wash (Lavage rapide)** – pour les vêtements froissés ou peu sales dont vous avez besoin rapidement.

**Enviro plus** (certains modèles) – pour les régions où il est important de conserver l'eau et l'énergie.

# UTILISATION DES COMMANDES

## Étape 2

Les caractéristiques des commandes varient selon le modèle.

### SÉLECTION DES TEMPÉRATURES DE L'EAU DE LAVAGE/RINÇAGE

Appuyer sur la touche avec flèche pour sélectionner les températures de l'eau de lavage et de l'eau de rinçage. Suivre les indications données sur l'étiquette des vêtements et le tableau ci-dessous pour obtenir les meilleurs résultats.

**Sanitaire/froide** (certains modèles) – articles grand teint, très sales.  
Disponible avec le cycle Sanitaire seulement.

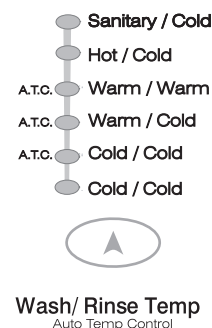
**Chaude/froide** – blancs et articles couleur grand teint très sales.

**Tiède/tiède (ATC)** – articles grand teint. Lorsque le rinçage tiède est sélectionné, seul le rinçage final sera tiède. Les autres rinçages seront à l'eau froide afin de conserver l'énergie.

**Tiède/froide (ATC)** – articles grand teint, modérément sales, majorité des articles infroissables.

**Froide/froide (ATC)** – articles de couleur vive, légèrement sales; lainages lavables.

**Froide/froide** – articles de couleurs vives, très légèrement sales.



**IMPORTANT :** La laveuse comprend une commande automatique de température (ATC) qui donne un lavage en eau tiède à environ 105 °F, un lavage en eau froide à environ 65 °F et un rinçage en eau tiède à environ 80 °F lors du rinçage final, seulement pour des choix de températures avec la commande automatique de température.

**NE PAS OUBLIER :** Lorsque les températures de l'eau de lavage se trouvent en dessous de 18 °C (65 °F), les détergents ne se dissolvent pas bien ou ne lavent pas bien non plus.

## Étape 3

### SÉLECTION DE LA VITESSE D'ESSORAGE

Appuyer sur la touche avec flèche pour sélectionner la vitesse d'essorage.

**Max Extract ou Max Extract Plus** (Extraction maximale ou Extraction maximale Plus) (certains modèles) – s'utilise pour les grosses charges comme la literie et les serviettes de toilette. Enlève plus d'eau du linge lors de l'essorage.

**REMARQUE SUR LES TISSUS :** Pour minimiser le froissage des tissus infroissables et sans repassage, n'utilisez pas l'option Extraction maximale ou Extraction maximale Plus. Aussi, NE surchargez PAS la laveuse.

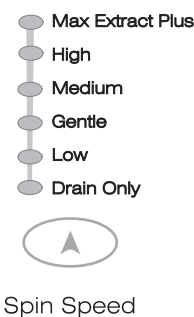
**High** (Élevée) (certains modèles) – à utiliser pour les sous-vêtements, les jeans et les cotons robustes.

**Medium** (Moyenne) – s'utilise pour les jeans, les tissus synthétiques et les articles infroissables ou « lavez et portez ».

**Gentle** (Douce) – s'utilise pour les articles qui seront suspendus ou mis à plat pour sécher.

**Low** (Basse) – s'utilise pour les articles délicats ayant besoin d'une vitesse d'essorage lente en raison du type de tissu et de sa fabrication.

**Drain Only** (Évacuation seulement) (certains modèles) – élimine l'eau de la laveuse sans essorage. S'utilise pour les articles extrêmement délicats qui ne peuvent tolérer aucun essorage.



# UTILISATION DES COMMANDES

Les caractéristiques des commandes varient selon le modèle.

## Étape 4

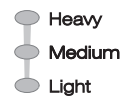
### SÉLECTION DU NIVEAU DE SALETÉ

Appuyez sur la flèche pour choisir le niveau de saleté/la durée de lavage.

**Heavy** (Très sale) – s'utilise pour le linge très encrassé.

**Medium** (Moyen) – s'utilise pour le linge moyennement sale. Ce réglage convient à la majorité du linge.

**Light** (Peu sale) – s'utilise pour le linge légèrement sale.



Soil Level

## Étape 5

### SÉLECTION DES OPTIONS (CYCLE)

Appuyez sur la ou les touches appropriées pour obtenir une ou plusieurs options. Le témoin au-dessus de la touche s'allume une fois l'option choisie.

**Delay** (Lavage différé) – tout départ de cycle peut être différé jusqu'à 9, 12 ou 19 heures (certains modèles) en intervalles d'une heure.

1. Faites la sélection appropriée selon le linge.
2. Appuyez sur la touche **Delay** jusqu'à ce que la durée d'attente désirée paraisse à l'affichage.
3. Appuyez sur le **sélecteur de cycle**. Le décompte de la durée d'attente commence.
4. Pour annuler un départ différé, appuyez sur le touche **Power Off** et remettre en marche.

**Signal sonore** – appuyez sur la touche **Chime** pour augmenter ou diminuer le volume du signal de fin de cycle ou pour l'arrêter.

**Verrouillage des commandes** – les commandes de la laveuse peuvent être verrouillées pour empêcher une utilisation non désirée, par les enfants.

1. Appuyez sur les touches **Wash/Rinse Temp** (temp. de lavage/rinçage) et **Spin Speed** en même temps pendant trois secondes.
2. Le témoin de verrouillage des commandes s'allume.
3. Pour annuler le verrouillage, appuyez sur les touches **Wash/Rinse Temp** (temp. de lavage/rinçage) et **Spin Speed** en même temps pendant trois secondes. Le témoin de verrouillage des commandes s'éteint.



Chime



Wash/ Rinse Temp  
Auto Temp Control



Spin Speed



SUITE

# UTILISATION DES COMMANDES

## SÉLECTION DES OPTIONS (SUITE)

Appuyez sur la ou les touches appropriées pour obtenir une ou plusieurs options. Le témoin au-dessus de la touche s'allume une fois l'option choisie.

**Prewash** (Prélavage) (certains modèles) – Peut être choisi avec tout cycle. Ajoutez du détergent dans la section prélavage du compartiment de détergent. La laveuse se remplit d'eau et de détergent, culbute pendant 25 minutes, puis évacue l'eau et avance jusqu'au cycle choisi.

**Stain Treat** (Détachage) (certains modèles) – ajoute 5 minutes au lavage pour un meilleur détachage.

**Extra Rinse** (Rinçage supplémentaire) – ajoute un autre rinçage à la fin du cycle pour enlever plus efficacement les parfums et additifs lessiviels.

**Extended Spin** (Essorage prolongé) (certains modèles) – ajoute durée supplémentaire à l'essorage pour extraire plus d'eau du linge.

**Rinse & Spin** (Rinçage et essorage) – s'utilise pour le linge qui n'a besoin que d'être rincé ou pour ajouter de l'assouplissant (s'ajoutant lors du rinçage) au linge.

**Spin Only** (Essorage seulement) – donne un essorage pour extraire plus d'eau du linge.



## Étape 6

### MISE EN MARCHÉ DE LA LAVEUSE

Pour mettre la laveuse en marche, appuyez sur le **sélecteur de cycle**. Avant que la laveuse ne commence à se remplir, elle fait une série de cliquetis pour vérifier le verrouillage de la porte et effectuer une brève vidange.

#### Changement de cycle

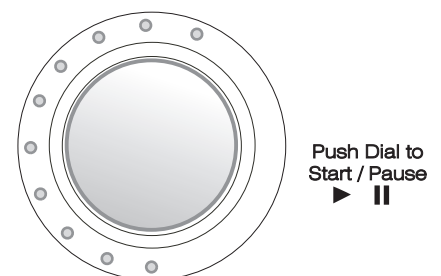
Si un cycle inapproprié a été choisi accidentellement :

1. Appuyez sur le **sélecteur**.
2. Tournez le **sélecteur** au cycle voulu.
3. Choisissez les options désirées du cycle.
4. Appuyez sur le **sélecteur**. Le témoin de lavage s'arrête de clignoter et le nouveau cycle démarre.

#### Annulation d'un cycle

Pour annuler un cycle :

1. Appuyez sur la touche **Power Off** (Arrêt).
2. Choisissez la touche d'option **Rinse & Spin** (Rinçage et essorage) ou **Spin Only** (Essorage seulement).
3. Appuyez sur le **sélecteur**. Le témoin d'essorage s'allume et le rinçage ou l'essorage commence.





# UTILISATION DES COMMANDES

Les caractéristiques des commandes varient selon le modèle.

## AFFICHAGE DE LA DURÉE DE LAVAGE ESTIMÉE (CERTAINS MODÈLES)

Après avoir choisi le cycle et appuyé sur le **sélecteur**, l'afficheur indique le nombre de minutes restantes, estimé pour le cycle. Cette durée peut varier pour mieux indiquer la durée de lavage restante dans le cycle.



## TÉMOINS LUMINEUX

**Door Lock** (Verrouillage de la porte) – s’allume à chaque fois que la porte de la laveuse est verrouillée. La porte peut être déverrouillée en appuyant sur le **sélecteur** pour mettre la laveuse en pause.

**Control Lock** (Verrouillage des commandes) – les commandes de la laveuse peuvent être verrouillées pour empêcher une utilisation non intentionnelle par les enfants.

1. Appuyez sur les touches **Wash/Rinse Temp** et **Spin Speed** en même temps pendant trois secondes.

2. Le témoin de verrouillage des commandes s’allume.

3. Pour annuler le verrouillage, appuyez sur les touches **Wash/Rinse Temp** et **Spin Speed** en même temps pendant trois secondes. Le témoin de verrouillage des commandes s’éteint.

**Témoins de cycle** – les témoins Wash (Lavage), Rinse (Rinçage) et Spin (Essorage) en haut du tableau de commande, s’allument progressivement pour indiquer dans quelle portion du cycle se trouve la laveuse. Les témoins clignotent lorsque la laveuse est en pause.

**Témoins de touche** – les témoins au-dessus des touches s’allument lorsque la touche correspondante a été choisie.

**Témoins de réglage de cycle** – ces témoins à côté des réglages de cycle s’allument lorsque la sélection correspondante a été faite.



# CONSOMMATION D'EAU

## COMMANDE DE NIVEAU D'EAU INTELLIFILL<sup>MC</sup>

La quantité d'eau utilisée varie avec chaque lessive. La laveuse Maytag Neptune® donne automatiquement la quantité appropriée d'eau pour obtenir d'efficaces performances de lavage et une conservation de l'eau et de l'énergie. La durée de remplissage varie selon la pression de l'eau.

## UTILISATION DE DÉTERGENT

La laveuse Maytag Neptune® TL est conçue pour utiliser des détergents de grande efficacité (HE).



- Pour de meilleurs résultats, utiliser un détergent de grande efficacité comme Tide HE, Wisk HE, Cheer HE ou Gain HE\*. Les détergents de grande efficacité contiennent des produits anti-mousse qui réduisent ou éliminent la mousse. Avec moins de mousse produite, la charge culbute de façon plus efficace et les résultats de nettoyage sont maximisés.

S'il n'y a pas de détergent de haute efficacité, vous pouvez utiliser du détergent ordinaire.

- Si l'emploi d'un détergent ordinaire, pour laveuses à chargement par le haut, il est important de faire très attention au degré de saleté de la charge, à son volume et à la dureté de l'eau\*\*. **Pour éviter un excès de mousse, ce qui gênerait le culbutage, le rinçage et l'essorage et prolongerait le cycle, réduisez la quantité de détergent à utiliser en présence d'eau douce ou si le linge est peu sale ou son volume faible.**

**REMARQUE :** Une réduction de la quantité de détergent peut réduire la qualité du lavage. Il est important de prétraiter les taches, de trier le linge selon la couleur, le niveau de saleté et d'éviter de trop charger la laveuse.

\* Marques de commerce des fabricants respectifs.

\*\* Pour déterminer la dureté de l'eau dans la région, prendre contact avec le service local des eaux.

## CARACTÉRISTIQUES

### DISTRIBUTEUR AUTOMATIQUE

La laveuse comporte plusieurs compartiments pour permettre la distribution du détergent et de l'agent de blanchiment (sans danger pour les couleurs), de l'agent de blanchiment chloré et de l'assouplissant. Tous les additifs lessiviels sont ajoutés dans leur compartiment respectif avant le démarrage de la laveuse.

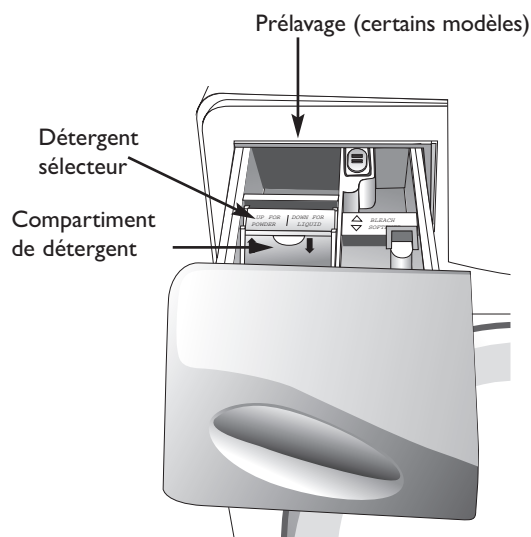
**Le distributeur automatique DOIT TOUJOURS être en place avant que vous ne mettiez la laveuse en marche. N'ouvrez PAS le distributeur automatique lorsque la laveuse est en marche.**

**Pour vous en servir :**

1. Sortez le tiroir du distributeur sur le côté gauche du tableau de commande.
2. Remplissez les compartiments appropriés d'additifs lessiviels, en faisant attention de ne pas trop remplir ou renverser des additifs.
3. Remettez soigneusement le tiroir du distributeur et introduisez-le à fond dans le compartiment.

### COMPARTIMENT DE DÉTERGENT

1. Versez la quantité recommandée de détergent directement dans le compartiment approprié avant de mettre en marche la laveuse.
2. Si vous utilisez de l'agent de blanchiment sans danger pour les couleurs, vous l'ajouterez avec le détergent dans le compartiment de détergent.
  - Pour ajouter de l'agent de blanchiment sans danger pour les couleurs avec du détergent, il est préférable que les deux produits soient sous la même forme, poudre ou liquide.



**REMARQUE :** Si l'utilisation de détergent liquide, abaissez le Sélecteur de détergent et ajoutez du détergent dans le Compartiment de détergent.

### COMPARTIMENT DE PRÉLAVAGE (CERTAINS MODÈLES)

Lors de l'utilisation de l'option prélavage (certains modèles), il faut ajouter le détergent dans le Compartiment de prélavage et aussi dans le Compartiment de détergent. La distribution du détergent se fera automatiquement lors du prélavage.

- Si du détergent à haute efficacité (HE) est utilisé, ajoutez 1/3 de la quantité recommandée dans le Compartiment de prélavage, puis 2/3 de la quantité recommandée dans le Compartiment de détergent.
- Si du détergent ordinaire est utilisé, ajoutez 1/6 de la quantité recommandée dans le Compartiment de prélavage, puis 1/3 de la quantité recommandée dans le Compartiment de détergent.

## CARACTÉRISTIQUES

### DISTRIBUTEUR D'AGENT DE BLANCHIMENT CHLORÉ

(Agent de blanchiment chloré liquide seulement)

1. Versez de l'agent de blanchiment chloré dans le Compartiment d'agent de blanchiment. **Ne dépassez pas** la ligne MAX FILL.
2. Évitez d'en éclabousser ou d'en mettre excessivement.
3. La laveuse déverse automatiquement l'agent de blanchiment dans la cuve au moment approprié.
4. L'agent de blanchiment chloré liquide est dilué automatiquement *avant* qu'il n'atteigne le linge.

#### REMARQUES :

- **Ne versez JAMAIS de l'agent de blanchiment chloré liquide non dilué directement sur le linge ou dans la cuve.** C'est un produit chimique qui peut endommager les tissus, affaiblir les fibres ou atténuer les couleurs s'il n'est pas utilisé correctement.
- Si vous préférez utiliser un agent de blanchiment non chloré, sans danger pour les couleurs, ajoutez-le au compartiment de détergent. **Ne versez pas d'agent de blanchiment (sans danger) pour les couleurs dans le compartiment de blanchiment chloré.**

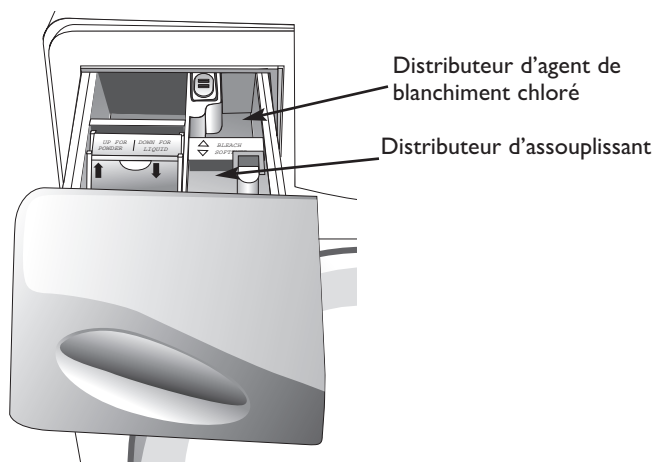
### DISTRIBUTEUR D'ASSOUPLEISSANT

1. Versez la quantité recommandée d'assouplissant liquide dans le compartiment approprié. Pour des charges plus petites, utilisez *moins d'un capuchon*.
2. L'assouplissant doit être dilué avec de l'eau tiède jusqu'à ce qu'il atteigne la ligne MAX FILL du compartiment.
3. Ce distributeur libère automatiquement l'assouplissant liquide au bon moment pendant le rinçage final du cycle

#### REMARQUES :

- Utilisez le compartiment d'assouplissant *seulement* avec des assouplissants liquides.
- **Ne pas** utiliser d'une Downy Ball\* avec cette laveuse. Elle n'ajoutera pas de l'assouplissant au bon moment. Servez-vous du distributeur automatique.

\* Noms de marque déposées par des fabricants respectifs.



## ENTRETIEN ET NETTOYAGE

**Fermez les robinets d'eau après avoir terminé la lessive de la journée.** Ceci coupe l'alimentation en eau de la laveuse et empêche l'éventualité de dommages en cas de fuite d'eau. Laissez la porte ouverte pour permettre à l'intérieur de la laveuse de sécher.

Utilisez un linge doux pour essuyer tout le détergent, l'agent de blanchiment ou autres produits renversés.

Nettoyez ce qui suit comme il est conseillé :

**Tableau de commande** – Nettoyez-le avec un linge souple et humide. Ne pulvérisez pas directement sur le tableau de commande de produits de nettoyage.

**Caisse** – Nettoyez-la à l'eau et au savon.

### NETTOYAGE DE L'INTÉRIEUR

Nettoyez l'intérieur de la laveuse périodiquement pour enlever la poussière, la saleté, les odeurs, la moisissure, les résidus de moisissure ou de bactéries qui peuvent rester dans la laveuse après le lavage des vêtements. Nous recommandons de suivre les étapes suivantes tous les 60 à 120 jours pour nettoyer et rafraîchir l'intérieur de la laveuse. La fréquence à laquelle la laveuse doit être nettoyée et rafraîchie dépend de facteurs tels qu'utilisation, quantité de saleté ou bactéries passant par la laveuse, ou encore l'utilisation d'eau froide. Le non-respect de ces directives peut entraîner des conditions insatisfaisantes, incluant de mauvaises odeurs et/ou des taches permanentes sur la laveuse ou sur la lessive.

#### Nettoyage de l'intérieur :

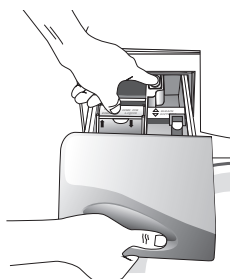
1. Préparer une solution de 500 mL (1 tasse) de javellisant et de 1000 mL (2 tasses) d'eau tiède. Faire attention à ne pas renverser ou éclabousser la solution de javellisant.
2. Essuyer la partie inférieure du joint de porte gris avec cette solution de javellisant et un linge souple.
3. Remplir le distributeur d'agent de blanchiment avec le javellisant.
4. Faire à la laveuse un cycle complet avec de l'eau très chaude.
5. Répéter au besoin le cycle de lavage.

Les dépôts dus à l'eau dure peuvent être enlevés si besoin est, à l'aide d'un produit de nettoyage recommandé portant l'étiquette «sans danger pour laveuse».

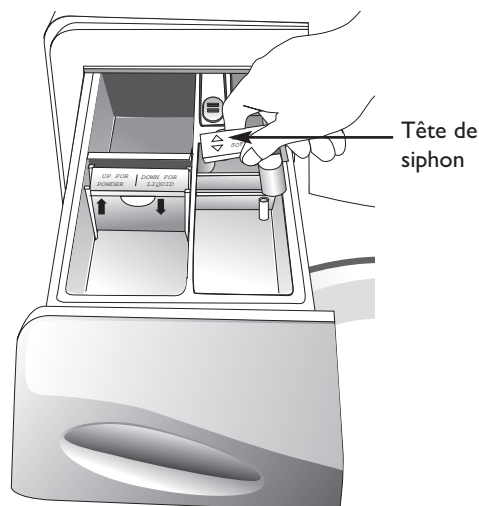
### NETTOYAGE DES DISTRIBUTEURS

Il peut être nécessaire de nettoyer régulièrement le distributeur automatique suite à l'accumulation d'additifs.

1. Appuyez sur le levier de dégagement à l'intérieur du distributeur et sortez ce dernier.



2. Enlevez les godets des compartiments d'agent de blanchiment et d'assouplissant.
3. Lavez toutes les pièces à l'eau courante.
4. Nettoyez la cavité du distributeur avec une brosse ou un pinceau doux.
5. Réintroduisez les godets, en les poussant bien en place.
6. Remettez le distributeur dans sa cavité.
7. Faites faire un cycle rinçage et essorage à la laveuse sans linge à l'intérieur.



## RANGEMENT DE LA LAVEUSE

Les laveuses peuvent subir des dommages si l'eau n'est pas retirée des tuyaux et des composants internes avant le remisage. Préparer la laveuse avant de la ranger, comme suit :

- Choisir le réglage **«Quick Wash»** (rapide) et ajouter une tasse d'agent de blanchiment au distributeur de détergent sans mettre de vêtements dans la cuve. Faire faire un cycle complet à la laveuse.
- Fermer les robinets d'eau et débrancher les tuyaux d'arrivée.

- Débrancher la laveuse de l'alimentation électrique et laisser la porte de la laveuse ouverte pour laisser l'air circuler à l'intérieur.
- Si la laveuse a été remise à des températures inférieures au gel, attendre que l'eau congelée à l'intérieur fonde avant d'utiliser la laveuse.

Pour obtenir des informations sur le remisage ou le rangement à long terme de la laveuse lors de températures extrêmement froides, contacter le service-client Maytag au numéro sans frais 1-800-688-2002.

## RECHERCHE DE PANNES

**Au sujet des problèmes de lavage (détérioration, résidus, emmêlement) et des méthodes spéciales de lavage, consulter la brochure jointe *Conseils de pour la lessive*.**

### VÉRIFIEZ CES POINTS AVEC VOTRE LAVEUSE MAYTAG® NEPTUNE WASHER...

<b>La laveuse ne démarre pas</b>	<ul style="list-style-type: none"><li>• Assurez-vous que la porte est bien fermée.</li><li>• Assurez-vous que la laveuse est branchée.</li><li>• Assurez-vous que les robinets d'eau est ouverts.</li><li>• Assurez-vous d'appuyer sur le <b>sélecteur</b> pour mettre en marche la laveuse.</li><li>• Assurez-vous que le verrouillage des commandes n'est pas activé (page 22).</li><li>• Avant que la laveuse ne commence à se remplir, elle fait une série de cliquetis pour vérifier le verrouillage de la porte et effectuer une brève vidange.</li></ul>
<b>Pas d'eau ou insuffisamment d'eau</b>	<ul style="list-style-type: none"><li>• Ouvrez les deux robinets à fond.</li><li>• Assurez-vous que la porte est bien fermée.</li><li>• Assurez-vous que la laveuse est branchée.</li><li>• Vérifiez les fusibles ou réenclenchez le disjoncteur.</li><li>• Appuyez sur le <b>sélecteur</b> pour mettre la laveuse en marche.</li><li>• Redressez les tuyaux d'eau.</li><li>• Débranchez les tuyaux et nettoyez les tamis. Les tamis peuvent être bouchés.</li><li>• Ouvrez et fermez la porte, puis appuyez sur le <b>sélecteur</b>.</li></ul>
<b>Du détergent reste dans le distributeur automatique après la fin du cycle de lavage</b>	<ul style="list-style-type: none"><li>• Assurez-vous que l'eau est à une pression suffisante. Voyez les instructions d'installation.</li><li>• Assurez-vous qu'avec du détergent en poudre, le sélecteur de détergent est en position relevée.</li></ul>
<b>La laveuse vibre ou est trop bruyante</b>	<ul style="list-style-type: none"><li>• Assurez-vous que la laveuse est sur une surface plane. Sinon, ajustez les pieds pour mettre l'appareil à niveau. Voyez les instructions d'installation.</li><li>• Assurez-vous que les boulons d'expédition sont enlevés. Voyez les instructions d'installation.</li><li>• Assurez-vous que la laveuse ne touche aucun autre objet.</li><li>• Assurez-vous que la charge de linge est bien équilibrée.</li></ul>

SUITE

# RECHERCHE DE PANNES

## VÉRIFIEZ CES POINTS AVEC VOTRE LAVEUSE MAYTAG® NEPTUNE WASHER...

<p><b>Arrêts</b></p>	<ul style="list-style-type: none"> <li>• Branchez la laveuse dans une prise sous tension.</li> <li>• Vérifiez le fusible ou réenclenchez le disjoncteur.</li> <li>• Fermez la porte et appuyez sur le <b>sélecteur</b> pour mettre la laveuse en marche. Pour votre sécurité, la laveuse ne culbute pas ni n'essore tant que la porte n'est pas fermée. Ceci peut être une pause ou une période de trempage du cycle. Attendez un peu et elle pourra redémarrer.</li> <li>• Avant que la laveuse ne commence à se remplir, elle fait une série de cliquetis pour vérifier le verrouillage de la porte et effectuer une brève vidange.</li> <li>• Ceci peut être une pause ou une période de trempage du cycle. Attendez un peu et elle pourra redémarrer.</li> <li>• Vérifiez que les tamis, les tuyaux d'arrivée d'eau au niveau des robinets ne sont pas bouchés. Nettoyez périodiquement les tamis.</li> </ul>
<p><b>Se remplit d'une eau à une température inappropriée</b></p>	<ul style="list-style-type: none"> <li>• Ouvrez les deux robinets à fond.</li> <li>• Assurez-vous du bon choix de la température.</li> <li>• Assurez-vous que les tuyaux sont bien raccordés aux bons robinets. Purgez les conduites d'eau.</li> <li>• Vérifiez le chauffe-eau. Il devrait fournir de l'eau à une température minimale de 49° C (120° F) au robinet. Vérifiez aussi la capacité du chauffe-eau et son taux de renouvellement.</li> <li>• Débranchez les tuyaux et nettoyez les tamis. Les tamis des tuyaux risquent d'être bouchés.</li> <li>• Lors du remplissage de la laveuse, la température de l'eau peut changer au fur et à mesure que la commande automatique de température vérifie la température de l'eau d'arrivée. Ceci est normal.</li> <li>• Lors du remplissage de la laveuse, vous pourrez remarquer de l'eau à peine chaude ou à peine froide traversant le distributeur lorsque vous avez choisi des températures de lavage à l'eau froide ou tiède. Ceci est une fonction normale de la commande automatique de température, alors que la laveuse détermine la température de l'eau.</li> </ul>
<p><b>Ne culbute pas</b></p>	<ul style="list-style-type: none"> <li>• Vérifiez le fusible ou réenclenchez le disjoncteur.</li> <li>• Fermez la porte et appuyez sur le <b>sélecteur</b> pour mettre la laveuse en marche. Pour votre sécurité, la laveuse ne culbute pas ni n'essore tant que la porte n'est pas fermée.</li> </ul>
<p><b>Porte verrouillée; ne s'ouvre pas</b></p>	<ul style="list-style-type: none"> <li>• Appuyez sur le <b>sélecteur</b> pour arrêter la laveuse.</li> <li>• Le mécanisme de verrouillage de la porte peut prendre quelques instants pour se déverrouiller.</li> <li>• La porte de la laveuse reste verrouillée pendant la partie chauffage du cycle Sanitaire (certains modèles).</li> </ul>
<p><b>Rafrâichissement de votre laveuse</b></p>	<ul style="list-style-type: none"> <li>• Voyez Nettoyage de l'intérieur à la page 27.</li> </ul>
<p><b>La laveuse n'essore pas ni n'évacue l'eau</b></p>	<ul style="list-style-type: none"> <li>• Vérifiez le fusible ou réenclenchez le disjoncteur.</li> <li>• Redressez les tuyaux d'évacuation s'ils sont entortillés. S'il y a un engorgement, appelez le service après-vente.</li> <li>• Fermez la porte et appuyez sur le <b>sélecteur</b> pour mettre la laveuse en marche. Pour votre sécurité, la laveuse ne culbute pas ni n'essore tant que la porte n'est pas fermée.</li> </ul>
<p><b>Le linge est trop humide à la fin du cycle</b></p>	<ul style="list-style-type: none"> <li>• Choisissez la vitesse d'essorage Élevée ou Extraction maximale.</li> <li>• Utilisez un détergent de grande efficacité pour réduire l'excès de mousse.</li> <li>• La charge de linge est trop petite. De très petites charges (un ou deux articles) peuvent créer un déséquilibre donnant un essorage incomplet.</li> </ul>
<p><b>Fuites d'eau</b></p>	<ul style="list-style-type: none"> <li>• Assurez-vous que la porte est bien fermée.</li> <li>• Assurez-vous que les raccordements de tuyau sont bien serrés.</li> <li>• Assurez-vous que l'extrémité du tuyau d'évacuation est bien insérée et fixée au système d'évacuation.</li> <li>• Évitez de surcharger la laveuse.</li> <li>• Utilisez un détergent de grande efficacité pour réduire l'excès de mousse.</li> </ul>
<p><b>Excès de mousse</b></p>	<ul style="list-style-type: none"> <li>• Utilisez un détergent à haute efficacité pour empêcher l'excès de mousse.</li> <li>• Réduisez la quantité de détergent lorsque l'eau est douce, la charge petite ou le linge peu sale.</li> </ul>

Pour une demande d'assistance, contacter sans frais le service à la clientèle de Maytag au 1-800-688-2002.

# RECHERCHE DE PANNES

## CODES D'INFORMATIONS

Les codes d'information peuvent être affichés pour aider à mieux comprendre ce qui se passe dans la laveuse.

Symbole (code)	Signification	Solution
dc	Une charge déséquilibrée empêche l'essorage d'avoir lieu.	Répartissez la charge, appuyez sur <b>Cycle Selector</b> (sélecteur de cycle).
dl	La porte est déverrouillée quand la laveuse fonctionne.	Appuyez sur <b>Power Off</b> puis, relancez le cycle. Si le code réapparaît, appelez le service après-vente (ci-dessous).
ds	La porte est ouverte lorsque la laveuse fonctionne.	Fermez bien la porte et relancez le cycle. Si le code réapparaît, appelez le service après-vente (ci-dessous).
fl	Absence de verrouillage de la porte.	Fermez bien la porte et relancez le cycle. Si le code réapparaît, appelez le service après-vente (ci-dessous).
hi-	Problème de contrôle de la température de l'eau (Problème de commande de température de réchauffeur.)	Appelez le service après-vente (ci-dessous).
le	La laveuse a essayé de se remplir mais le niveau d'eau approprié n'a pas été atteint.	Appelez le service après-vente (ci-dessous).
lo	La porte ne se déverrouille pas.	Assurez-vous que la porte est bien fermée. Appuyez sur <b>Power Off</b> pour arrêter la laveuse, et redémarrez en appuyant sur n'importe quelle touche. Si le code réapparaît, appelez le service après-vente (ci-dessous).
el	Le moteur ne fonctionne pas correctement.	Relancez le cycle en appuyant sur le sélecteur. Si le code réapparaît, appelez le service après-vente (ci-dessous).
nd	Absence d'évacuation.	Reportez-vous à la section « Absence d'essorage/évacuation d'eau » à la page 29. Si le problème persiste, appelez le service après-vente (ci-dessous).
nf	La laveuse a essayé de se remplir mais n'a pas réussi.	Vérifiez que les robinets sont ouverts à fond. Vérifiez qu'aucun tuyau n'est entortillé. Vérifiez les tamis d'arrivée des tuyaux de remplissage.
si-	Problème de commande.	Appelez le service après-vente (ci-dessous).
pf	Il y a eu panne de courant pendant que la laveuse fonctionnait.	Relancez le cycle en appuyant sur le sélecteur.

Pour tout code non énuméré ci-dessus, contacter sans frais le service-client Maytag au 1-800-688-2002.



# GARANTIE DE LA LAVEUSE

## Garantie de la Laveuse Maytag Neptune®

### Garantie complète d'une année

Durant une période d'un (1) an à compter de la date de l'achat initial, toute pièce qui se révélerait défectueuse dans des conditions normales d'usage ménager, sera réparée ou remplacée gratuitement.

### Garantie limitée

Après la première année suivant la date de l'achat initial, et durant les années indiquées ci-dessous, les pièces mentionnées ci-dessous et qui se révéleraient défectueuses dans des conditions normales d'usage ménager, seront réparées ou remplacées gratuitement (pièces seulement); le propriétaire devra assumer tous les autres frais, y compris la main-d'œuvre, les frais de déplacement, de transport, de kilométrage et de diagnostic, le cas échéant.

**Deuxième année** – Toutes les pièces.

**Troisième année à cinquième année** – Moteur d'entraînement.

**Troisième année – et pour toute la durée de la laveuse** – Panier de lavage intérieur en acier inoxydable.

### Garantie limitée supplémentaire contre les perforations par la rouille

Si la caisse extérieure, y compris le cadre supérieur et la porte, venait à se perforer par la rouille au cours de la première année suivant la date de l'achat initial, elle sera réparée ou remplacée gratuitement. Après la première année et jusqu'à la cinquième année, la pièce sera réparée ou remplacée gratuitement; le propriétaire devra assumer tous les autres frais, y compris la main-d'œuvre, les frais de déplacement, de transport, de kilométrage et de diagnostic, le cas échéant.

**Veillez noter :** Cette garantie complète et les garanties limitées ne s'appliquent qu'à une laveuse située aux États-Unis ou au Canada. Les laveuses situées ailleurs ne sont couvertes que par les garanties limitées, y compris dans le cas de pièces qui se révéleraient défectueuses les deux premières années.

### Résidents canadiens

Les garanties ci-dessus couvrent un appareil installé au Canada seulement s'il a été agréé par la CSA, sauf si l'appareil a été introduit au Canada à l'occasion d'un changement de résidence des États-Unis vers le Canada.

Les garanties spécifiques ci-dessus sont les SEULES garanties accordées par le fabricant. Cette garantie confère à l'acheteur des droits juridiques spécifiques. L'acheteur peut également jouir d'autres droits, variables d'un état à un autre ou d'une province à l'autre.

## Ne sont pas couverts par cette garantie :

1. Les dommages ou dérangements dus à :
  - a. Mise en service, livraison ou entretien effectués incorrectement.
  - b. Toute réparation, modification, altération et tout réglage non autorisés par le fabricant ou par un prestataire de service après-vente agréé.
  - c. Accidents, mauvaise utilisation ou usage abusif ou déraisonnable.
  - d. Alimentation électrique (tension, intensité) incorrecte.
  - e. Réglage incorrect d'une commande.
2. Les garanties ne peuvent être honorées si les numéros de série d'origine ont été enlevés, modifiés ou ne sont pas facilement lisibles.
3. Ampoules.
4. Appareils achetés aux fins d'usage commercial ou industriel.
5. Les frais de visite d'un prestataire de service ou de service après-vente encourus pour les raisons suivantes :
  - a. Correction d'erreurs de mise en service.
  - b. Initiation de l'utilisateur à l'emploi de l'appareil.
  - c. Transport de l'appareil aux locaux du prestataire de service.
6. Dommages secondaires ou indirects subis par toute personne suite au non-respect de la garantie.

Certains états ne permettent pas l'exclusion ou la limitation des dommages secondaires ou indirects; par conséquent, les limitations ou exclusions ci-dessus peuvent ne pas s'appliquer à votre cas.

## Service en vertu de la garantie

Pour localiser une agence agréée de service après-vente dans votre région, prenez contact avec le revendeur où vous avez acheté l'appareil; ou, appelez le service-client Maytag, Maytag Services<sup>SM</sup>. Si vous n'obteniez pas un service en vertu de la garantie, satisfaisant, veuillez écrire ou téléphoner à :

Maytag Services<sup>SM</sup>  
Attn: CAIR® Center  
P.O. Box 2370  
Cleveland, TN 37320-2370  
**1-800-688-2002 Canada**

### REMARQUE :

Lors de tout contact auprès du service-client Maytag, de Maytag Services<sup>SM</sup> et concernant un problème, veuillez fournir l'information suivant :

- (a) Vos nom, adresse et numéro de téléphone.
- (b) Numéro de modèle et numéro de série de l'appareil.
- (c) Nom et adresse du revendeur et date d'achat de l'appareil.
- (d) Description claire du problème observé.
- (e) Preuve d'achat.

Les guides d'utilisation et d'entretien, les manuels d'entretien et toute information sur les pièces sont disponibles auprès de Maytag Services<sup>SM</sup>, service à la clientèle de Maytag.

**Maytag • 403 West Fourth Street North • P. O. Box 39 • Newton, Iowa 50208**





# LAVADORA MAYTAG NEPTUNE®

# GUÍA

## DE USO Y CUIDADO

### TABLA DE MATERIAS

Instrucciones sobre seguridad .....	33-34
Instrucciones de funcionamiento .....	35
Uso de los controles .....	36-40
Uso del Agua.....	40
Uso de detergente .....	41
Características.....	41-42
Cuidado y limpieza.....	43
Almacenamiento de la lavadora .....	44
Localización y solución de averías .....	44-46
Garantía.....	Ultima página

## BIENVENIDA

¡Nuestra bienvenida y felicitaciones por la compra de una lavadora Maytag Neptune®! Su completa satisfacción es muy importante para nosotros. Para obtener los mejores resultados le sugerimos que lea esta guía para familiarizarse con los procedimientos apropiados de funcionamiento y mantenimiento.

Si necesita ayuda en el futuro, es útil:

- 1) Tener el número completo de modelo y de serie para identificación de su lavadora.

Fecha de Compra \_\_\_\_\_

Número de Modelo \_\_\_\_\_

Número de Serie \_\_\_\_\_

- 2) **IMPORTANTE: Conserve esta guía y el recibo de compra en un lugar seguro para referencia futura. Para obtener servicio bajo la garantía es necesario comprobar la fecha de compra original.**

Si tiene alguna consulta, llame a:

Maytag Customer Assistance  
1-800-688-9900 EE.UU.  
1-800-688-2002 CANADÁ  
(De lunes a viernes de 8 a.m. a 8 p.m.  
hora del Este)  
Internet: <http://www.maytag.com>

**NOTA: En nuestro continuo afán de mejorar la calidad de nuestros electrodomésticos, puede que sea necesario hacer modificaciones a la lavadora sin actualizar esta guía.**

**Para información sobre servicio y garantía, ver la Última página.**

## INSTRUCCIONES IMPORTANTES SOBRE SEGURIDAD

*lea antes de poner en funcionamiento su lavadora*

### INFORMACIÓN SOBRE LAS INSTRUCCIONES DE SEGURIDAD

Las advertencias e instrucciones importantes sobre seguridad que aparecen en este manual no están destinadas a cubrir todas las posibles circunstancias y situaciones que puedan ocurrir. Se debe ejercer sentido común, precaución y cuidado cuando instale, efectúe mantenimiento o cuando use este electrodoméstico.

Siempre póngase en contacto con su fabricante si surgen problemas o situaciones que usted no comprenda.

### RECONOZCA LOS SÍMBOLOS, ADVERTENCIAS Y ETIQUETAS DE SEGURIDAD

#### **ADVERTENCIA**

**ADVERTENCIA** – Peligros o prácticas no seguras que **PODRÍAN** causar lesión personal grave o mortal.

#### **PRECAUCIÓN**

**PRECAUCIÓN** – Peligros o prácticas no seguras que **PODRÍAN** causar lesión personal menos grave o daños materiales.

**CONSERVE ESTAS INSTRUCCIONES**

# INSTRUCCIONES IMPORTANTE SOBRE SEGURIDAD

## ⚠ ADVERTENCIA

Para reducir el riesgo de incendio, explosión, choque eléctrico, daños materiales o lesiones personales cuando usa su electrodoméstico, siga las precauciones básicas y las que se indican a continuación:

1. Lea todas las instrucciones antes de usar el electrodoméstico.
2. Al igual que con cualquier equipo eléctrico y con piezas móviles, existen posibles riesgos con su uso. Para usar este electrodoméstico de manera segura, el usuario debe familiarizarse con las instrucciones de funcionamiento del mismo y usarlo siempre con precaución.
3. No instale o almacene este electrodoméstico a la intemperie.
4. Instale y nivele la lavadora de ropa en un piso que pueda soportar su peso.
5. Este electrodoméstico debe ser debidamente puesto a tierra. Nunca enchufe el electrodoméstico en un tomacorriente que no esté debidamente puesto a tierra de acuerdo con los códigos locales y nacionales. Consulte las instrucciones de instalación para la puesta a tierra de este electrodoméstico.
6. Para evitar la posibilidad de un incendio o explosión:
  - No lave artículos que hayan sido limpiados, lavados, remojados o rociados anteriormente con gasolina, solventes de limpieza en seco u otras sustancias inflamables o volátiles ya que emiten gases que pueden encenderse o explotar. Lave a mano y deje secar al aire libre los artículos que contengan estas sustancias.  
  
Cualquier material que haya entrado en contacto con solvente o que esté saturado de líquidos o sólidos inflamables no debe ser lavado en la lavadora hasta que todos los rastros de estos líquidos o sólidos y sus gases se hayan removido.  
  
Estos artículos incluyen la acetona, el alcohol desnaturalizado, la gasolina, el keroseno, algunos limpiadores líquidos, algunos quitamanchas, la trementina, las ceras y los removedores de cera.
  - No añada gasolina, solventes de lavado en seco u otras sustancias inflamables o volátiles en el agua de lavado. Estas sustancias emiten gases que pueden encenderse o explotar.
  - Bajo ciertas condiciones, el gas de hidrógeno puede ser producido en un sistema de agua caliente que no ha sido usado durante 2 semanas o más. EL GAS DE HIDRÓGENO ES EXPLOSIVO. Si el sistema de agua caliente no ha sido utilizado en un período de dicha longitud, cierre las llaves del agua caliente y deje que el agua fluya durante varios minutos antes de usar una

lavadora o combinación de lavadora y secadora. Esto liberará cualquier cantidad de gas de hidrógeno que se haya acumulado. Como este gas es inflamable, no fume o use una llama abierta durante este tiempo.

7. Desconecte el suministro eléctrico antes de reparar su lavadora.
8. No introduzca las manos en el electrodoméstico cuando el tambor esté en movimiento.
9. No permita que los niños jueguen sobre o dentro del electrodoméstico. Se requiere supervisión estricta cuando se use el electrodoméstico cerca de niños.
10. No altere los controles.
11. No repare o reemplace ninguna pieza de este electrodoméstico ni intente realizar el servicio a menos que sea recomendado en publicaciones con instrucciones de reparación para el usuario que usted comprenda y que tenga las habilidades para llevarlo a cabo.
12. Almacene los ayudantes de lavandería y otros materiales en un lugar fresco y seco donde los niños no puedan alcanzarlos.
13. No lave o seque artículos que estén manchados con aceite vegetal o de cocina. Los mismos pueden retener parte del aceite después del lavado. Debido al aceite restante, la tela puede producir humo o encenderse por sí sola.
14. No use blanqueador con cloro y amoníaco o ácidos (tales como el vinagre o el removedor de óxido) en la misma carga de ropa ya que se pueden producir gases peligrosos.
15. No lave materiales de fibra de vidrio en la lavadora. Las partículas pequeñas se pueden adherir a las telas en las cargas siguientes y causar irritación de la piel.
16. Antes de desinstalar el electrodoméstico para realizar reparaciones o para descartarlo, retire la puerta del compartimiento de lavado.
17. No se siente sobre la lavadora.
18. Las mangueras de entrada están sujetas a daños y deterioramiento con el pasar del tiempo. Verifique estas mangueras de vez en cuando para asegurarse de que no presenten bultos, torceduras, cortes, desgaste o escapes, y reemplácelas cada cinco años.

## INSTRUCCIONES DE FUNCIONAMIENTO

Consulte el folleto *Sugerencias para el lavado de la ropa* que se adjunta si desea ver información detallada sobre la separación de la ropa, el pretratamiento de manchas, etc.

### COLOCACIÓN DE LA ROPA EN LA LAVADORA

- La tina puede llenarse completamente con ropa seca sin doblar. Sin embargo, NO sobrecargue la tina.
- Si se coloca demasiada ropa se puede afectar la eficacia del lavado y posiblemente causar pliegues o arrugas en la ropa.
- Lave los artículos delicados tales como sostenes, medias y otra ropa interior en el ciclo "Delicates" (Telas delicadas) o "Hand Wash" (Lavables a mano)(modelos selectos) junto con artículos similares livianos.
- Cuando lave artículos más pequeños y voluminosos que no llenen la tina completamente tales como una alfombra, una almohada, peluches o uno o dos abrigos, añada algunas toallas para mejorar la acción giratoria y el rendimiento del centrifugado.
- Cuando lave artículos voluminosos más pequeños que no llenen completamente la tina, tal como un tapete, una funda, juguetes de peluche o uno o dos suéteres, se recomienda agregar una o dos toallas para mejorar la eficacia de la agitación y del centrifugado.
- Cuando lave ropas que estén extremadamente sucias, es muy importante evitar que se sobrecargue la lavadora a fin de asegurar una buena limpieza.
- Agregar un artículo olvidado en la superlavado, Normal, los blancos (modelos selectos), los colores (modelos selectos), el control de la arruga o la colada rápida completa un ciclo, oprima la tecla '**Cycle Selector**', espere hasta que se apague la luz 'Door Lock' (Bloqueo de la puerta), agregue el artículo, cierre la tapa y oprima la tecla '**Cycle Selector**'. Después de una pausa de uno o dos minutos, el ciclo se reanudará.
- Cierre cuidadosamente la tapa para evitar golpearla.

**NOTA:** Para asegurar que los artículos agregados posteriormente queden limpios, no espere más de cinco minutos después que haya comenzado el ciclo para agregarlos.

### ENCIENDA LA LAVADORA

1. Cargue la lavadora holgadamente – NO la sobrecargue.
2. Cierre la puerta.
3. Añada el detergente y los aditivos en el distribuidor (vea las páginas 41-42).
4. Seleccione el ciclo adecuado y las opciones para la carga (vea las páginas 36-39).
5. Oprima la tecla '**Cycle Selector**' (Selección del ciclo).
6. La luz indicadora de lavado se encenderá.
7. El tiempo estimado de duración del ciclo se desplegará en el indicador visual. El tiempo puede variar para indicar con mayor precisión el tiempo de lavado restante en el ciclo.
8. Antes de que la lavadora comience a llenarse, hará una serie de ruidos como chasquidos para verificar el cierre de la puerta y hacer un desagüe rápido.

#### Notas:

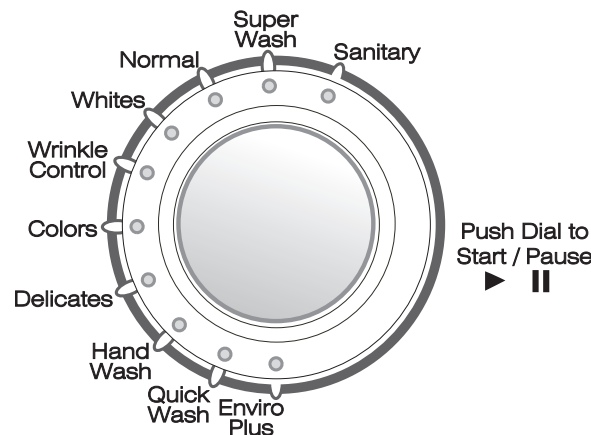
- Cuando el ciclo haya finalizado, la luz de bloqueo de la puerta se apagará y 'End' (Fin) o "00" (modelos selectos) aparecerá en la pantalla.
- NO intente abrir la puerta hasta que la luz de bloqueo de la puerta se haya apagado. Para añadir un artículo olvidado, vea la sección cargue la lavadora.
- Cuando la lavadora se reinicie después de una interrupción, la misma permanecerá apagada hasta por 15 segundos antes de que el ciclo continúe.
- Si oprime la tecla '**Power Off**' (Apagar), anulará el ciclo y detendrá la lavadora.
- Las luces indicadoras de lavado, enjuague y centrifugado se iluminarán durante las porciones correspondientes del ciclo.

# USO DE LOS CONTROLES

## Paso 1

Las características de control varían según el modelo.

### SELECCIONE EL CICLO



Seleccione el ciclo apropiado para el tipo de carga. Esto determinará el patrón de movimiento del tambor y la velocidad de centrifugado del ciclo.

**NOTA:** Para minimizar las arrugas de la ropa, seleccione el ciclo de control de arrugas.

**“Sanitary” (desinfectante)** (modelos selectos) – Para artículos de ropa que no destiñen que estén extremadamente sucios. Este ciclo calienta el agua a 150°F (66°C) para eliminar las bacterias.

**NOTA:** Si selecciona "Pause" (pausa) durante la porción de calentamiento del ciclo desinfectante, la puerta de la lavadora permanecerá bloqueada para su seguridad.

**“Super Wash” (superlavado)** – Para telas resistentes que no destiñen y para artículos de ropa muy sucios.

**Normal** – Para la mayoría de las telas, incluyendo el algodón, el lino y los artículos de ropa con suciedad normal.

**“Whites” (ropa blanca)** (modelos selectos) – Para lavar artículos de tela blanca con o sin blanqueador.

**“Wrinkle Control” (control de arrugas)** – Para telas de tipo "lavar y usar" y sintéticas y para los artículos de ropa con suciedad leve a normal.

**“Colors” (colores)** (modelos selectos) – Para las telas de color o que destiñen.

**“Delicates”(ropa delicada)** – Para telas tejidas, sostenes y lencería.

**“Hand Wash” (lavado a mano)** – Para lavar lana, seda y otras telas que sólo deben ser lavadas a mano. Para obtener los mejores resultados, use detergente líquido.

**“Quick Wash” (lavado rápido)** – Para artículos de ropa ligeramente sucios o arrugados que se necesitan con urgencia. Las características de control varían según el modelo.

**“Enviro Plus” (ecológico)** (modelos selectos) – Para las áreas geográficas en las que se necesite la conservación de energía y agua.

# USO DE LOS CONTROLES

## Paso 2

Las características de control varían según el modelo.

### SELECCIONE LA TEMPERATURA DEL AGUA DE LAVADO/ENJUAGUE

Oprima la tecla flechada para seleccionar las temperaturas de lavado y enjuague. Siga las instrucciones de la etiqueta de cuidado de la ropa y la siguiente tabla para obtener los mejores resultados.

**“Sanitary/Cold”** (desinfectante/fría) (modelos selectos) – Artículos de ropa que no destiñen que estén extremadamente sucios. Disponible con el ciclo desinfectante solamente.

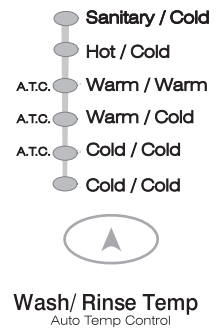
**“Hot/Cold”** (caliente/fría) – Artículos de ropa blanca y que no destiñen que estén muy sucios.

**“ATC Warm/Warm”** (tibia/tibia con ATC) – Artículos de ropa que no destiñen. Cuando se selecciona un enjuague tibio, sólo el enjuague final será tibio. Los demás enjuagues serán fríos para ahorrar energía.

**“ATC Warm/Cold”** (tibia/fría con ATC) – Artículos moderadamente sucios, que no destiñen, y la mayoría de las telas inarrugables.

**“ATC Cold/Cold”** (fría/fría con ATC) – Artículos de ropa de color y levemente sucios.

**“Cold/Cold”** (fría/fría) – Artículos de ropa de color, levemente sucios y de lana lavable.



**IMPORTANTE:** La lavadora cuenta con un control automático de temperatura ("ATC") para proporcionar un lavado tibio de aproximadamente 105°F (40°C), un lavado frío de aproximadamente 65°F (18°C) y un enjuague tibio de aproximadamente 80°F (27°C) sólo para el enjuague final cuando se usan los ajustes de temperatura con ATC.

**RECUERDE:** Los detergentes no se disuelven o limpian bien en agua a una temperatura menor de 65°F (18°C).

## Paso 3

### SELECCIONE LA VELOCIDAD DE CENTRIFUGADO

Oprima la tecla flechada para seleccionar la velocidad de centrifugado.

**“Max Extract”** (Extracción máxima) o **“Max Extract Plus”** (Extracción máxima plus) (modelos selectos) – Use este ciclo para cargas de artículos pesados tales como toallas y lencería. Este ciclo extrae una mayor cantidad de agua durante el centrifugado.

**NOTAS SOBRE LAS TELAS:** Para minimizar las arrugas de las telas antiarrugas y no planchables, no use el ciclo de extracción máxima o de extracción máxima plus para estos artículos. Además, NO sobrecargue la lavadora.

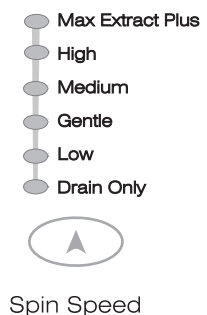
**“High”** (alta) (modelos selectos) – Use este ajuste para ropa interior, camisetas, mezclilla y algodones resistentes.

**“Medium”** (intermedia) – Use este ajuste para pantalones de mezclilla, telas inarrugables o de tipo "lavar y usar" y telas sintéticas.

**“Gentle”** (delicado) – Use este ajuste para artículos de ropa que se deben colgar o tender para secarse.

**“Low”** (bajo) – Use este ajuste para artículos delicados que requieran una velocidad de centrifugado lenta por el tipo y tejido de la tela.

**“Drain Only”** (sólo drenaje) (modelos selectos) – Esta opción drena el agua sin centrifugar. Use para artículos de ropa extremadamente delicados que no soporten ningún centrifugado.



# USO DE LOS CONTROLES

## Paso 4

Las características de control varían según el modelo.

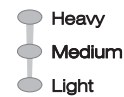
### SELECCIONE EL NIVEL DE SUCIO

Oprima la tecla flechada para seleccionar el nivel de suciedad/tiempo de lavado.

**“Heavy”** (fuerte) – Use para lavar cargas de ropa muy sucias.

**“Medium”** (intermedio) – Use para lavar cargas de ropa moderadamente sucias. Este ajuste es el apropiado para la mayoría de las cargas de ropa.

**“Light”** (suave) – Use para lavar cargas de ropa levemente sucias.



Soil Level

## Paso 5

### SELECCIONE LAS OPCIONES DEL CICLO

Oprima la(s) tecla(s) adecuada(s) para seleccionar una o más opciones. La luz indicadora que se encuentra sobre la tecla se encenderá cuando se seleccione la opción correspondiente.

**“Delay”** (diferido) – Cualquier ciclo puede diferirse hasta por 9, 12, o 19 horas (modelos selectos) en incrementos de una hora.

1. Haga los ajustes apropiados para su carga de ropa.
2. Oprima la tecla **“Delay”** (diferido) hasta que el tiempo correcto se muestre en el indicador visual.
3. Oprima la perilla de **selección del ciclo**. El tiempo de diferimiento comenzará a contar.
4. Para cancelar el diferimiento, oprima la perilla de **“Power Off”** (apagado) y rémpezar.

**“Chime”** (señal sonora) – Oprima la tecla **“Chime”** (señal sonora) para aumentar o disminuir el volumen de la señal de finalización del ciclo o para apagarla.

**Bloqueo del control** – Los controles de la lavadora pueden bloquearse para evitar que los niños la usen sin permiso.

1. Oprima las teclas **“Wash/Rinse Temp”** (temp. de lavado/enjuague) y **“Spin Speed”** (velocidad de centrifugado) a la vez durante tres segundos.
2. La luz indicadora de bloqueo del control se encenderá.
3. Para desbloquear el control, oprima las teclas **“Wash/Rinse Temp”** (temp. de lavado/enjuague) y **“Spin Speed”** (velocidad de centrifugado) a la vez durante tres segundos. La luz indicadora de bloqueo del control se apagará.



Chime



Wash/ Rinse Temp  
Auto Temp Control



Spin Speed



CONT.

# USO DE LOS CONTROLES

Las características de control varían según el modelo.

## SELECCIONE LAS OPCIONES DEL CICLO (CONT.)

Oprima la(s) tecla(s) adecuada(s) para seleccionar una o más opciones. La luz indicadora que se encuentra sobre la tecla se encenderá cuando se seleccione la opción correspondiente.

**‘Prewash’** (prelavado) (modelos selectos) – Esta opción puede ser seleccionada con cualquier ciclo. Añada detergente a la sección de prelavado del compartimiento de detergente. La lavadora se llena con agua fría y detergente, gira por 25 minutos y luego drena el agua y avanza al ciclo seleccionado.

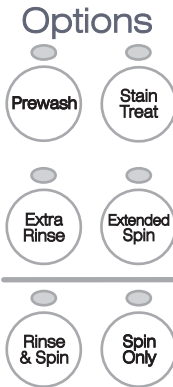
**‘Stain Treat’** (tratamiento de manchas) (modelos selectos) – Agrega 5 minutos a la lavado para una mejor remoción de las manchas.

**‘Extra Rinse’** (enjuague adicional) – Añade un enjuague adicional al final del ciclo para remover más efectivamente los aditivos y fragancias de lavado.

**‘Extended Spin’** (modelos selectos) – Añade tiempo adicional al centrifugado para remover más agua de la ropa.

**‘Rinse and Spin’** (enjuague y centrifugado) – Use para cargas que necesiten enjuague o para añadir suavizante durante el enjuague.

**‘Spin Only’** (sólo centrifugado) – Proporciona un centrifugado para remover una mayor cantidad de agua de la ropa.



## Paso 6

### ENCIENDA LA LAVADORA

Para encender la lavadora, oprima la perilla de **selección del ciclo**. Antes de que la lavadora comience a llenarse, hará una serie de ruidos como chasquidos para verificar el cierre de la puerta y hacer un desagüe rápido.

#### Cambio de ciclo

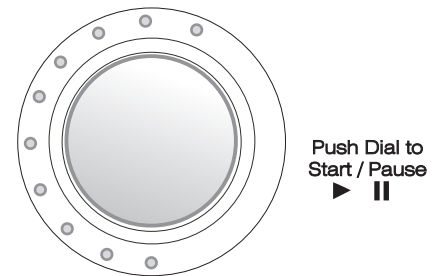
Si se seleccionó accidentalmente un ciclo incorrecto:

1. Oprima la perilla de **selección del ciclo**.
2. Gire la perilla de **selección del ciclo** a la posición deseada.
3. Programe las opciones deseadas para el ciclo.
4. Oprima la perilla de **selección del ciclo**. Las luces indicadoras de lavado dejan de destellar y el nuevo ciclo se inicia.

#### Anulación de un ciclo

Para anular un ciclo:

1. Oprima la tecla **Power Off** (apagado).
2. Seleccione las teclas de opción **“Rinse and Spin”** (enjuague y centrifugado) o **“Spin Only”** (sólo centrifugado).
3. Oprima la perilla de **selección del ciclo**. La luz indicadora de centrifugado se enciende y la lavadora inicia el enjuague o el centrifugado.





## USO DE LOS CONTROLES

Las características de control varían según el modelo.

### DESPLIEGUE DEL TIEMPO ESTIMADO (MODELOS SELECTOS)

Después de programar el ciclo y de oprimir la perilla de **selección del ciclo**, la pantalla mostrará el tiempo restante estimado del ciclo en minutos. El tiempo restante estimado puede fluctuar para indicar con mayor precisión el tiempo que queda del ciclo.



### LUCES INDICADORAS

**“Door Lock” (bloqueo de la puerta)** – Se enciende cada vez que se bloquea la puerta de la lavadora. La puerta puede desbloquearse oprimiendo la perilla de **selección del ciclo** para detener la lavadora.

**Bloqueo del control** – Los controles de la lavadora pueden bloquearse para evitar que los niños la usen sin permiso.

1. Oprima las teclas **“Wash/Rinse Temp” (Temp. de Lavado/Enjuague)** y **“Spin Speed” (velocidad de centrifugado)** a la vez durante tres segundos.
2. La luz indicadora de bloqueo del control se encenderá.
3. Para desbloquear el control, oprima las teclas **“Wash/Rinse Temp” (Temp. de Lavado/Enjuague)** y **“Spin Speed” (velocidad de centrifugado)** a la vez durante tres segundos. La luz indicadora de bloqueo del control se apagará.

**Luces indicadoras de ciclo** – Las luces “Wash” (lavado), “Rinse” (enjuague) y “Spin” (centrifugado) en la parte superior del panel de control se encenderán progresivamente para indicar que la lavadora se encuentra en el ciclo correspondiente. Las luces de la lavadora destellarán cuando se haya interrumpido un ciclo.

**Luces indicadoras de las teclas** – Las luces indicadoras que se encuentran sobre las teclas se iluminarán cuando las teclas correspondientes sean seleccionadas.

**Luces indicadoras de ajustes del ciclo** – Las luces indicadoras que se encuentran junto a los ajustes del ciclo se encenderán cuando se seleccionen las opciones correspondientes.



## USO DE AGUA

### CONTROL DE NIVEL DE AGUA INTELLIFILL<sup>MR</sup>

La cantidad de agua utilizada variará con cada carga de ropa. La lavadora de ropa Maytag Neptune® proporcionará automáticamente la cantidad de agua para un rendimiento de limpieza eficiente y para el ahorro de agua y energía. El tiempo de llenado dependerá de la presión de agua.

## USO DEL DETERGENTE

Su lavadora Maytag Neptune® ha sido diseñada para usar ya sea detergentes de alta eficacia (HE).



- Para obtener una mejor limpieza, use detergentes de alta eficacia tal como 'Tide HE', 'Whisk HE', 'Cheer HE', or 'Gain HE'\*. Los detergentes de alta eficacia contienen supresores de espuma que reducen o eliminan la espuma. Cuando se produce menos espuma, la ropa se agita mejor y se obtiene una limpieza optimizada.

Si no cuenta con detergente de alto rendimiento, puede utilizar detergente regular.

- Si utiliza use detergentes regulares formulados para lavadoras con carga superior de la ropa, es importante prestar cuidadosa atención al nivel de suciedad de la ropa, al tamaño de la carga de ropa y a la dureza del agua\*\*.
- Para evitar espuma excesiva, la cual interfiere con la acción giratoria, el enjuague y el centrifugado de la lavadora y prolonga la duración de los ciclos, reduzca la cantidad de detergente cuando el agua sea suavizada o para cargas de ropa levemente sucias.**

**NOTA:** La reducción de la cantidad de detergente puede reducir la limpieza. Es importante tratar las manchas, organizar la carga cuidadosamente por color y por nivel de suciedad y evitar sobrecargar la lavadora.

\* Los nombres de los productos son marcas registradas de los respectivos fabricantes.

\*\* Para determinar la dureza del agua en su área, póngase en contacto con su compañía de agua potable local o con la oficina de Extensión de la Universidad Estatal de su localidad.

## CARACTERÍSTICAS

### DISTRIBUIDOR AUTOMÁTICO

La lavadora cuenta con compartimientos separados para distribuir detergente y blanqueador para ropa de color, blanqueador con cloro y suavizante de ropa. Todos los aditivos de lavandería se añaden en sus respectivos compartimientos antes de encender la lavadora.

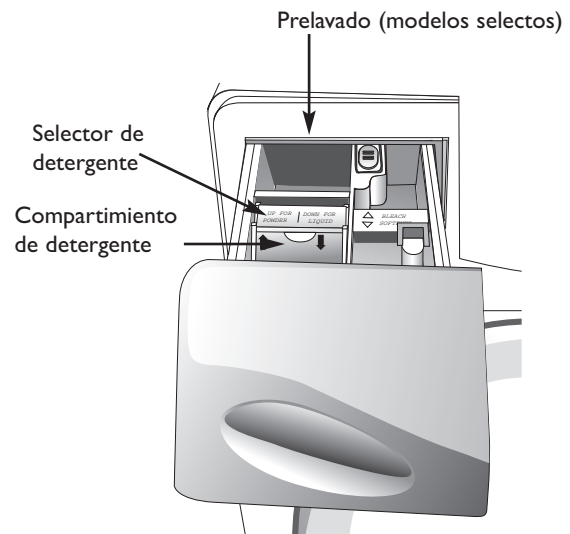
**El distribuidor automático SIEMPRE DEBE estar en su lugar antes de encender la lavadora. NO abra el distribuidor automático mientras la lavadora esté en funcionamiento. Para usar el distribuidor:**

1. Saque el distribuidor que se encuentra en el lado izquierdo del panel de control.
2. Llene los compartimientos correspondientes con los aditivos de lavandería teniendo cuidado de no llenarlos demasiado o de derramar los aditivos.
3. Deslice el distribuidor cuidadosa y completamente dentro del compartimiento.

### COMPARTIMIENTO DE DETERGENTE

1. Vierta la cantidad recomendada de detergente directamente en el compartimiento de detergente antes de encender la lavadora.
2. Si va a utilizar blanqueador para ropa de color, el mismo debe ser añadido con el detergente en el compartimiento de detergente.
  - Cuando añada blanqueador para ropa de color con el detergente, es mejor si ambos productos de lavandería están en el mismo estado: granulado o líquido.

**NOTA:** Si utiliza detergente líquido, baje el Selector de detergente y vierta el detergente en el Compartimiento.



### COMPARTIMIENTO DE PRELAVADO (MODELOS SELECTOS)

Cuando use la opción de prelavado (modelos selectos), agregue el detergente tanto en el Compartimiento de prelavado como en el Compartimiento de detergente. El detergente se distribuirá automáticamente durante el prelavado.

- Si usa detergente de alta eficacia (HE), añada 1/3 de la cantidad recomendada en el Compartimiento de prelavado y 2/3 de la cantidad recomendada en el Compartimiento de detergente.
- Si usa detergente regular, añada 1/6 de la cantidad recomendada en el Compartimiento de prelavado y 1/3 de la cantidad recomendada en el Compartimiento de detergente.

# CARACTERÍSTICAS

## DISTRIBUIDOR DEL BLANQUEADOR DE CLORO

(Blanqueador líquido con cloro solamente)

1. Añada blanqueador con cloro en el compartimiento de blanqueador. **No** sobrepase la línea de llenado.
2. Evite salpicar el blanqueador o llenar demasiado el compartimiento.
3. La lavadora distribuye el blanqueador automáticamente en la tina en el momento adecuado.
4. El distribuidor diluye automáticamente el blanqueador con cloro *antes* de que llegue a la ropa.

### NOTAS:

- **Nunca vacíe blanqueador a base de cloro líquido no diluido directamente en la ropa o en la tina.** Es un producto químico fuerte y puede dañar las telas, debilitando las fibras o causando pérdida de color, si no se usa en forma debida.
- Si prefiere usar blanqueador sin cloro para ropa que no destiñe, agréguelo en el compartimiento apropiado del detergente. **No coloque blanqueador para ropa que no destiñe en el distribuidor del blanqueador con cloro.**

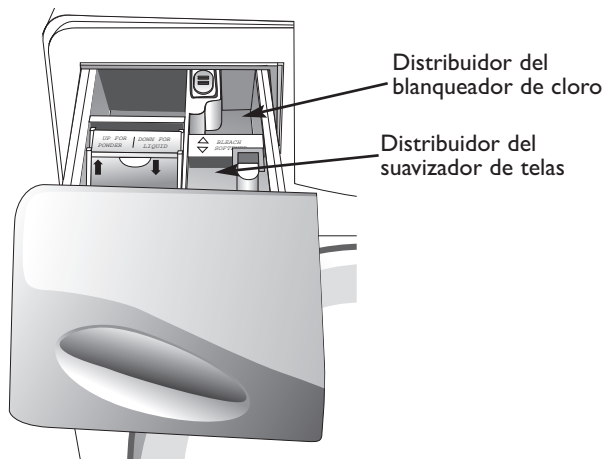
## DISTRIBUIDOR DEL SUAVIZADOR DE TELAS

1. Vierta la cantidad recomendada de suavizante de ropa líquido en el compartimiento de suavizante. Para las cargas más pequeñas, use *menos de una tapa de suavizante*.
2. El suavizante debe diluirse en agua tibia hasta que alcance la línea de LLENADO MÁXIMO en el compartimiento.
3. El distribuidor libera automáticamente el suavizante de ropa líquido en el momento adecuado durante el ciclo de enjuague.

### NOTAS:

- Use el distribuidor del suavizador de telas solamente para suavizadores de telas líquidos.
- **NO USE** el suavizador de telas 'Downy Ball'\* con esta lavadora. No agregará suavizador de telas en el momento apropiado y puede dañar la lavadora. Use el distribuidor que tiene la lavadora.

\* Los nombres de los productos son marcas registradas de sus respectivos fabricantes



## CUIDADO Y LIMPIEZA

**Apague las llaves de agua después de terminar el lavado de ropa del día.** Esto cerrará el suministro de agua hacia la lavadora y evitará la improbable posibilidad de daños por escapes de agua. Deje la puerta abierta para permitir que el interior de la lavadora se seque.

Use un paño suave para limpiar el detergente, el blanqueador o cualquier otro derrame apenas ocurra.

Limpie los siguientes elementos según se recomienda:

**Panel de control** – Limpie con un paño suave y húmedo. No use polvos abrasivos o esponjas de limpieza. No rocíe limpiadores directamente sobre el panel.

**Gabinete** – Limpie con agua y jabón.

### LIMPIEZA DEL INTERIOR

Limpie el interior de la lavadora a menudo para remover cualquier residuo de sucio, manchas, olores, moho o bacterias que puedan quedar en la lavadora como resultado del proceso de limpieza de la ropa. Le recomendamos que siga los pasos siguientes cada 60 a 120 días para limpiar y refrescar el interior de su lavadora. La frecuencia de la limpieza de la lavadora depende de tales factores como el uso, la cantidad de suciedad, tierra o bacterias que pasen por su lavadora, o el uso de agua fría. El incumplimiento de estas instrucciones puede resultar en condiciones insatisfactorias, incluyendo la presencia de olores desagradables y/o manchas permanentes en la lavadora o en la ropa.

### Para limpiar y refrescar el interior de la lavadora:

1. Mezcle una solución de una taza de blanqueador con cloro y dos tazas de agua tibia. Tenga cuidado de no derramar o salpicar la solución de blanqueador.
2. Limpie el sello de la puerta con la solución de blanqueador y un paño suave.
3. Llene el distribuidor de blanqueador con blanqueador con cloro.
4. Programe un ciclo completo de lavado con agua caliente.
5. Repita el ciclo de lavado si es necesario.

Si es necesario, se pueden eliminar los depósitos de agua dura con un limpiador recomendado marcado como seguro para lavadoras de ropa.

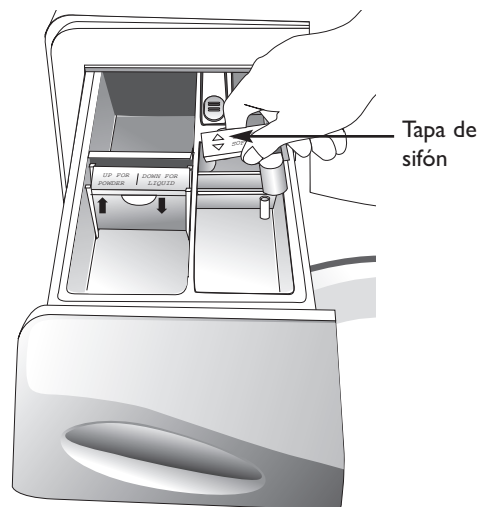
### LIMPIEZA DE LOS DISTRIBUIDORES

Es posible que el distribuidor automático deba ser limpiado a menudo debido a la acumulación de aditivos de lavandería.

1. Oprima la palanca de liberación en la parte interior del distribuidor y tire hacia afuera.



2. Retire las tazas de los compartimentos de suavizante y de blanqueador.
3. Lave todas las piezas en agua corriente.
4. Limpie las rendijas con un cepillo suave.
5. Vuelva a colocar las tazas y oprímalas firmemente en su lugar.
6. Oprima el distribuidor en su lugar.
7. Programe un ciclo de enjuague y centrifugado sin ropa en la lavadora.



## ALMACENAMIENTO DE LA LAVADORA DE ROPA

Las lavadoras pueden dañarse si no se extrae el agua de las mangueras y de los componentes internos antes de guardarlas. Prepare la lavadora para su almacenamiento de la manera siguiente:

- Seleccione el ciclo de **lavado rápido** y añada blanqueador con cloro en el distribuidor automático. Haga funcionar la lavadora en el ciclo de lavado sin ropa.
- Cierre las llaves de agua y desconecte las mangueras de entrada.

- Desconecte la lavadora del suministro eléctrico y deje la puerta de la lavadora *abierta* para permitir que el aire circule dentro del tambor.
- Si se almacena la lavadora a temperaturas por debajo del punto de congelación, permita que cualquier cantidad de agua que haya quedado en la lavadora se descongele antes de usarla nuevamente.

Para obtener información sobre el almacenamiento a largo plazo de su lavadora en temperaturas extremadamente frías, llame a Maytag Customer Service de manera gratuita al 1-800-688-9900 en EE.UU. o al 1-800-688-2002 en Canadá.

## LOCALIZACIÓN Y SOLUCIÓN DE AVERÍAS

Para solucionar problemas del lavado (por ej. daño a las telas, residuos, ropa enredada) y procedimientos especiales de cuidado de la ropa, vea el folleto "Sugerencias para el Lavado" que se adjunta.

**VERIFIQUE LA SIGUIENTE LISTA SI SE PRESENTA ALGUNA DE LAS SIGUIENTES SITUACIONES CON SU LAVADORA MAYTAG NEPTUNE®...**

<p><b>La lavadora no enciende</b></p>	<ul style="list-style-type: none"> <li>• Asegúrese de que la puerta esté firmemente cerrada.</li> <li>• Asegúrese de que la lavadora esté enchufada.</li> <li>• Asegúrese de que la llave de suministro de agua esté abierta.</li> <li>• Asegúrese de oprimir la perilla de <b>selección del ciclo</b> para encender la lavadora.</li> <li>• Asegúrese de que el bloqueo para niños no esté activado. Vea la página 38.</li> <li>• Antes de que la lavadora comience a llenarse, hará una serie de ruidos como chasquidos para verificar el cierre de la puerta y hacer un desagüe rápido.</li> </ul>
<p><b>No hay suministro de agua o el mismo es insuficiente</b></p>	<ul style="list-style-type: none"> <li>• Abra completamente ambas llaves de agua.</li> <li>• Asegúrese de que la puerta esté firmemente cerrada.</li> <li>• Asegúrese de que la lavadora esté enchufada.</li> <li>• Verifique el fusible o restablezca el disyuntor.</li> <li>• Oprima la perilla de <b>selección del ciclo</b> para encender la lavadora.</li> <li>• Enderece las mangueras de entrada de agua.</li> <li>• Desconecte las mangueras y limpie las mallas. Las mallas filtrantes de las mangueras pueden estar tapadas.</li> <li>• Abra y cierre la puerta y oprima la perilla de <b>selección del ciclo</b>.</li> </ul>
<p><b>Quedan residuos de detergente en el distribuidor automático después de que el ciclo de lavado terminó</b></p>	<ul style="list-style-type: none"> <li>• Asegúrese de que la lavadora esté funcionando con suficiente presión de agua. Vea las instrucciones de instalación.</li> <li>• Asegúrese de que el selector de detergente esté en posición vertical cuando use detergente granulado.</li> </ul>
<p><b>La lavadora vibra o es demasiado ruidosa</b></p>	<ul style="list-style-type: none"> <li>• Asegúrese de que la lavadora esté instalada en una superficie nivelada. Si la superficie no está nivelada, ajuste los tornillos niveladores de la lavadora para nivelarla. Vea las Instrucciones de Instalación.</li> <li>• Asegúrese de que los pernos de empaque hayan sido retirados. Vea las Instrucciones de Instalación.</li> <li>• Asegúrese de que la lavadora no esté en contacto con ningún otro objeto.</li> <li>• Asegúrese de que la carga de ropa esté balanceada.</li> </ul>

# LOCALIZACIÓN Y SOLUCIÓN DE AVERÍAS

**VERIFIQUE LA SIGUIENTE LISTA SI SE PRESENTA ALGUNA DE LAS SIGUIENTES SITUACIONES CON SU LAVADORA MAYTAG NEPTUNE®...**

**La lavadora se detiene**

- Enchufe el cordón eléctrico a un tomacorriente activo.
- Verifique el fusible o restablezca el disyuntor.
- Cierre la puerta y oprima la perilla de **selección del ciclo** para encender la lavadora. Para su seguridad, la lavadora no girará o centrifugará a menos que la puerta esté cerrada.
- Puede haber un período de espera o de remojo en el ciclo. Espere unos momentos y puede que la lavadora se encienda nuevamente.
- Antes de que la lavadora comience a llenarse, hará una serie de ruidos como chasquidos para verificar el cierre de la puerta y hacer un desagüe rápido.
- Verifique las mallas en las mangueras de entrada al nivel de las llaves de agua para remover las obstrucciones. Limpie las mallas a menudo.

**La lavadora se llena con agua a temperaturas incorrectas**

- Abra completamente ambas llaves de agua.
- Asegúrese de que la selección de temperatura sea la correcta.
- Asegúrese de que las mangueras estén conectadas a las llaves de agua correctas. Limpie las tuberías de suministro de agua.
- Verifique el calentador de agua. El mismo debe estar ajustado para proporcionar agua caliente en el fregadero a una temperatura mínima de 120°F (49°C). También verifique la capacidad y la tasa de recuperación del calentador de agua.
- Desconecte las mangueras y limpie las mallas. Las mallas filtrantes de las mangueras pueden estar tapadas.
- A medida que se llena la lavadora, la temperatura del agua puede cambiar debido a la verificación que realiza el control automático de temperatura del agua que entra en la lavadora. Esto es normal.
- Mientras se llena la lavadora, podrá percatarse de qué tan caliente y/o fría es el agua que sale del distribuidor cuando se seleccionan las temperaturas de lavado correspondientes. Esta es una función normal del control automático de temperatura durante la medición de temperatura del agua que realiza la lavadora.

**El tambor de la lavadora no gira**

- Verifique el fusible o restablezca el disyuntor.
- Cierre la puerta y oprima la perilla de **selección del ciclo**. Para su seguridad, la lavadora no girará o centrifugará a menos que la puerta esté cerrada.

**La puerta está bloqueada y no se abre**

- Oprima la perilla de **selección del ciclo** para apagar la lavadora.
- La puerta de la arandela seguirá siendo bloqueada durante la porción de la calefacción del Ciclo Sanitario (modelos selectos).
- El mecanismo de bloqueo de la puerta puede tomar algunos momentos para desengancharse.

**Para refrescar la lavadora**

- Vea la sección de Limpieza del interior de la lavadora en la página 43.

**La lavadora no drena y/o centrifuga**

- Verifique el fusible o restablezca el disyuntor.
- Enderece las mangueras de drenaje. Elimine las mangueras torcidas. Si el drenaje está tapado, solicite servicio.
- Cierre la puerta y oprima la perilla de **selección del ciclo**. Para su seguridad, la lavadora no girará o centrifugará a menos que la puerta esté cerrada.

**La carga está demasiado húmeda al finalizar un ciclo**

- Use la velocidad de centrifugado rápida o de extracción máxima.
- Use detergentes de alta eficiencia para reducir la producción excesiva de espuma.
- La carga de ropa es demasiado pequeña. Las cargas demasiado pequeñas (uno o dos artículos) pueden desbalancearse y no ser centrifugadas completamente.

**Hay un escape de agua**

- Asegúrese de que la puerta esté firmemente cerrada.
- Asegúrese de que las conexiones de las mangueras estén firmes.
- Asegúrese de que el extremo de la manguera de drenaje esté correctamente introducida y asegurada a la instalación del sistema de drenaje.
- Evite sobrecargar la lavadora.
- Use detergentes de alta eficiencia para evitar la producción excesiva de espuma.

**Espuma excesiva**

- Use detergentes de alta eficiencia para evitar la producción excesiva de espuma.
- Reduzca la cantidad de detergente cuando use agua suavizada o cargas de ropa pequeñas o levemente sucias.

Para mayor ayuda, llame gratuitamente a 'Maytag Customer Assistance' (Servicio Maytag a los Clientes) al 1-800-688-9900 EE.UU. o 1-800-688-2002 Canada.

# LOCALIZACIÓN Y SOLUCIÓN DE AVERÍAS

## CÓDIGOS DE INFORMACIÓN

Puede que se desplieguen códigos de información para ayudarle a comprender mejor lo que está ocurriendo en la lavadora.

Símbolo de Código	Significado	Solución
dc	Una carga desbalanceada evita que la lavadora centrifugue.	Vuelva a distribuir la carga, oprima la tecla <b>'Cycle Selector'</b> (Selección del ciclo).
dl	La puerta no está bloqueada cuando la lavadora está en funcionamiento.	Oprima la tecla <b>'Power Off'</b> (Apagado) y reinicie el ciclo. Si el código vuelve a aparecer, solicite servicio como se indica abajo.
ds	La puerta está abierta cuando la lavadora está en funcionamiento.	Cierre la puerta firmemente y reinicie el ciclo. Si el código vuelve a aparecer, solicite servicio como se indica abajo.
fl	La lavadora no bloqueó la puerta.	Cierre la puerta firmemente y reinicie el ciclo. Si el código vuelve a aparecer, solicite servicio como se indica abajo.
hi-	Problema en el control de la temperatura del agua. (Problema del control del calentador)	Solicite servicio como se indica abajo.
le	La lavadora intentó realizar el llenado pero no alcanzó el nivel de agua adecuado.	Solicite servicio como se indica abajo.
lo	La puerta no se desbloquea.	Oprima la tecla <b>'Power Off'</b> (apagado) para apagar la lavadora y luego enciéndala usando cualquier tecla. Si el código vuelve a aparecer, solicite servicio como se indica abajo.
ez	El motor no funciona adecuadamente.	Vuelva a iniciar el ciclo oprimiendo la perilla de selección del ciclo. Si el código vuelve a aparecer, solicite servicio como se indica abajo.
nd	La lavadora no drena.	Vea el apartado "La lavadora no drena y/o centrifuga" de la sección de Localización y solución de averías en la página 45. Si el problema continúa, solicite servicio como se indica abajo.
nf	La lavadora intentó realizar el llenado pero no pudo hacerlo.	Asegúrese de que las llaves de agua estén completamente abiertas. Verifique que no hayan torceduras en las mangueras. Verifique las mallas de entrada en las mangueras de llenado.
si-	Problemas con el control.	Solicite servicio como se indica abajo.
pf	Ocurrió una interrupción del servicio eléctrico cuando la lavadora estaba en funcionamiento.	Vuelva a iniciar el ciclo oprimiendo la perilla de selección del ciclo.

Para cualquier código que no aparezca en la tabla anterior, llame gratuitamente a 'Maytag Customer Assistance' (Servicio Maytag a los Clientes) al 1-800-688-9900 EE.UU. o 1-800-688-2002 Canada.



# GARANTÍA DE LA LAVADORA DE ROPA

## Garantía de la Lavadora Maytag Neptune®

### Garantía Completa de Un Año

Durante un **(1) año** desde la fecha original de compra al por menor, se reparará o reemplazará gratuitamente cualquier pieza que falle durante el uso normal en el hogar.

### Garantía Limitada

Después del primer año desde la fecha original de compra al por menor hasta los períodos indicados a continuación, las piezas indicadas a continuación que fallen en uso normal en el hogar serán reparadas o reemplazadas gratuitamente, por la pieza misma y el propietario deberá pagar todos los otros gastos, incluyendo mano de obra, kilometraje, transporte, costo del viaje y costo del diagnóstico, si fuese necesario.

**Segundo Año** – Todas las piezas.

**Del Tercero al Quinto Año** – Motor impulsor.

**Desde el Tercer Año hasta el Fin de la Vida Útil** – Tina interior de lavar de acero inoxidable.

### Garantía Limitada Adicional Contra Oxidación

Si el gabinete exterior, incluyendo la parte superior y la puerta, se oxida durante el primer año a partir de la fecha de compra original al por menor, se reparará o reemplazará gratuitamente. Después del primer año y hasta el quinto año se reparará o reemplazará gratuitamente la pieza misma y el propietario deberá pagar todos los otros gastos, incluyendo mano de obra, kilometraje, transporte, costo del viaje y costo del diagnóstico, si fuese necesario.

**Sírvase Notar:** Esta garantía completa y la garantía limitada son válidas solamente cuando la lavadora está ubicada en los Estados Unidos o Canadá. Las lavadoras ubicadas en otra parte están cubiertas por la garantía limitada solamente, incluyendo piezas que fallan durante los dos primeros años.

### Residentes canadienses

Esta garantía cubre solamente aquellos electrodomésticos instalados en Canadá que han sido aprobados por la Canadian Standards Association (Asociación de Normas Canadiense), a menos que los electrodomésticos hayan sido traídos a Canadá desde los Estados Unidos debido a un cambio de residencia.

Las garantías específicas expresadas anteriormente son las **ÚNICAS** garantías ofrecidas por el fabricante. Esta garantía le otorga derechos legales específicos y usted también tiene otros derechos que varían de un estado a otro.

## Lo que no cubren estas garantías:

1. Situaciones y daños resultantes de cualquiera de las siguientes eventualidades:
  - a. Instalación, entrega o mantenimiento inapropiados.
  - b. Cualquier reparación, modificación, alteración o ajuste no autorizado por el fabricante o por un centro de servicio autorizado.
  - c. Mal uso, abuso, accidentes o uso irrazonable.
  - d. Corriente eléctrica, voltaje o suministro incorrectos.
  - e. Ajuste incorrecto de cualquiera de los controles.
2. Las garantías quedan nulas si los números de serie originales han sido retirados, alterados o no son fácilmente legibles.
3. Focos.
4. Productos comprados para uso industrial o comercial.
5. El costo del servicio o llamada de servicio para:
  - a. Corregir errores de instalación.
  - b. Instruir al usuario sobre el uso correcto del artefacto.
  - c. Transportar el electrodoméstico al establecimiento de reparación.
6. Los daños consecuentes o incidentales sufridos por cualquier persona como resultado del incumplimiento de estas garantías.

En algunos estados no se permite la exclusión o limitación de daños consecuentes, por lo tanto la limitación o exclusión anterior puede no aplicarse en su caso.

## Para recibir Servicio Bajo la Garantía

Para localizar una compañía de servicio autorizada en su área, póngase en contacto con el distribuidor a quien compró el electrodoméstico o llame a Maytag Services<sup>SM</sup>, Maytag Customer Assistance (Ayuda a los Clientes de Maytag). Si el servicio bajo la garantía no es satisfactorio, por favor llame o escriba a:

Maytag Services<sup>SM</sup>  
Attn: CAIR<sup>®</sup> Center  
P.O. Box 2370  
Cleveland, TN 37320-2370  
**I-800-688-9900 EE.UU.**  
**I-800-688-2002 Canadá**

### NOTA:

Cuando se ponga en contacto con Maytag Services<sup>SM</sup>, Maytag Customer Assistance respecto a un problema de servicio, por favor incluya lo siguiente:

- (a) Su nombre, dirección y número de teléfono.
- (b) Número de modelo y número de serie de su electrodoméstico.
- (c) Nombre y dirección de su distribuidor y la fecha en que se compró el artefacto.
- (d) Una descripción clara del problema que lo afecta.
- (e) Comprobante de compra.

Las guías de uso y cuidado, manuales de servicio e información sobre los repuestos pueden solicitarse a Maytag Services<sup>SM</sup>, Maytag Customer Assistance.  
**Maytag • 403 West Fourth Street North • P. O. Box 39 • Newton, Iowa 50208**