



AUTOMATIC WASHER
USE & CARE GUIDE

LAVADORA AUTOMÁTICA CON
MANUAL DE USO Y CUIDADO

LAVEUSE AUTOMATIQUE AVEC
GUIDE D'UTILISATION ET D'ENTRETIEN

FOR QUESTIONS ABOUT FEATURES, OPERATION/PERFORMANCE,
PARTS, ACCESSORIES OR SERVICE CALL: 1.800.688.9900
IN CANADA, CALL: 1.800.807.6777

VISIT OUR WEBSITE AT WWW.MAYTAG.COM
IN CANADA, WWW.MAYTAG.CA

SI TIENE PREGUNTAS RESPECTO ALAS CARACTERÍSTICAS,
FUNCIONAMIENTO, RENDIMIENTO, PARTES, ACCESORIOS O
SERVICIO TÉCNICO, LLAME AL: 1.800.688.9900
EN CANADÁ, LLAME AL: 1.800.807.6777

VISITE NUESTRO SITIO WEB EN
WWW.MAYTAG.COM
EN CANADÁ, WWW.MAYTAG.CA

AU CANADA, POUR ASSISTANCE, INSTALLATION OU SERVICE,
COMPOSER LE : 1.800.807.6777

OU VISITER NOTRE SITE INTERNET À
WWW.MAYTAG.CA

TABLE OF CONTENTS

| | |
|--|----|
| WASHER SAFETY | 3 |
| INSTALLATION REQUIREMENTS..... | 4 |
| Tools and Parts..... | 4 |
| Location Requirements..... | 5 |
| Drain System..... | 6 |
| Electrical Requirements..... | 6 |
| INSTALLATION INSTRUCTIONS | 7 |
| Before You Start | 7 |
| Remove Shipping Base and Packing Ring | 7 |
| Connect Drain Hose | 8 |
| Connect the Inlet Hoses | 9 |
| Secure the Drain Hose | 10 |
| Level the Washer..... | 10 |
| Complete Installation | 11 |
| BENEFITS AND FEATURES..... | 12 |
| Benefits | 12 |
| Features..... | 12 |
| WASHER USE..... | 13 |
| Starting Your Washer | 13 |
| Pausing or Restarting the Washer | 14 |
| Stopping the Washer | 14 |
| Changing Cycles, Modifiers and Options | 14 |
| Status Lights..... | 15 |
| Cycles | 15 |
| Modifiers..... | 16 |
| Options | 17 |
| Operating Controls..... | 18 |
| Normal Sounds | 18 |
| LAUNDRY TIPS..... | 18 |
| WASHER CARE..... | 19 |
| Cleaning Your Washer | 19 |
| Water Inlet Hoses..... | 19 |
| Vacation, Storage and Moving Care | 19 |
| TROUBLESHOOTING..... | 20 |
| Washer and Components..... | 20 |
| Washer Operation..... | 21 |
| Clothing Care..... | 22 |
| ASSISTANCE OR SERVICE..... | 24 |
| In the U.S.A..... | 24 |
| In Canada..... | 24 |
| WARRANTY | 25 |

ÍNDICE

| | |
|---|----|
| SEGURIDAD DE LA LAVADORA | 26 |
| REQUISITOS DE INSTALACIÓN..... | 27 |
| Piezas y herramientas..... | 27 |
| Requisitos de ubicación..... | 28 |
| Sistema de desagüe | 29 |
| Requisitos eléctricos..... | 29 |
| INSTRUCCIONES DE INSTALACIÓN | 30 |
| Antes de comenzar | 30 |
| Quite la base y el anillo de embalaje | 30 |
| Conecte la manguera de desagüe..... | 31 |
| Conexión de las mangueras de entrada | 32 |
| Fijación de la manguera de desagüe..... | 33 |
| Nivelación de la lavadora..... | 33 |
| Complete la instalación..... | 34 |
| BENEFICIOS Y CARACTERÍSTICAS | 35 |
| Beneficios..... | 35 |
| Características | 35 |
| USO DE LA LAVADORA | 36 |
| Puesta en marcha de la lavadora..... | 36 |
| Pausa o reanudación de la marcha de la lavadora | 37 |
| Cómo detener la lavadora | 37 |
| Cambio de ciclos, modificadores y opciones | 38 |
| Luces de estado | 38 |
| Ciclos | 38 |
| Modificadores..... | 40 |
| Opciones..... | 41 |
| Controles de funcionamiento | 41 |
| Sonidos normales | 42 |
| CONSEJOS DE LAVANDERÍA | 42 |
| CUIDADO DE LA LAVADORA | 43 |
| Cómo limpiar su lavadora | 43 |
| Mangueras de entrada de agua..... | 43 |
| Cuidado durante las vacaciones, el almacenamiento y las mudanzas..... | 43 |
| SOLUCIÓN DE PROBLEMAS | 44 |
| Lavadora y componentes..... | 44 |
| Funcionamiento de la lavadora | 46 |
| Cuidado de la ropa..... | 47 |
| AYUDA O SERVICIO TÉCNICO..... | 49 |
| En los EE.UU. | 49 |
| En Canadá | 49 |
| GARANTÍA | 50 |

TABLE DES MATIÈRES

| | |
|--|----|
| SÉCURITÉ DE LA LAVEUSE..... | 51 |
| EXIGENCES D'INSTALLATION..... | 52 |
| Outillage et pièces | 52 |
| Exigences d'emplacement..... | 53 |
| Système de vidange | 54 |
| Spécifications électriques..... | 54 |
| INSTRUCTIONS D'INSTALLATION | 55 |
| Avant de commencer..... | 55 |
| Retrait de la base d'expédition et de l'anneau d'emballage..... | 55 |
| Raccordement du tuyau de vidange..... | 56 |
| Raccordement des tuyaux d'alimentation | 57 |
| Immobilisation du tuyau de vidange..... | 58 |
| Réglage de l'aplomb de la laveuse..... | 58 |
| Achever l'installation | 59 |
| AVANTAGES ET CARACTÉRISTIQUES | 60 |
| Avantages | 60 |
| Caractéristiques..... | 60 |
| UTILISATION DE LA LAVEUSE..... | 61 |
| Mise en marche de la laveuse..... | 61 |
| Pause ou remise en marche de la laveuse..... | 62 |
| Arrêt de la laveuse | 62 |
| Changement des programmes, modificateurs et options..... | 63 |
| Témoins lumineux | 63 |
| Programmes..... | 63 |
| Modificateurs | 65 |
| Options..... | 66 |
| Fonctionnement des commandes | 66 |
| Sons normaux | 67 |
| CONSEILS DE LESSIVAGE..... | 67 |
| ENTRETIEN DE LA LAVEUSE | 68 |
| Nettoyage de votre laveuse..... | 68 |
| Tuyaux d'arrivée d'eau | 68 |
| Précautions à prendre avant les vacances, un entreposage ou un déménagement..... | 68 |
| DÉPANNAGE | 69 |
| La laveuse et ses composants..... | 69 |
| Fonctionnement de la laveuse | 71 |
| Soin des vêtements | 72 |
| ASSISTANCE OU SERVICE..... | 74 |
| Aux États-Unis..... | 74 |
| Au Canada..... | 74 |
| GARANTIE | 75 |

WASHER SAFETY

Your safety and the safety of others are very important.

We have provided many important safety messages in this manual and on your appliance. Always read and obey all safety messages.



This is the safety alert symbol.

This symbol alerts you to potential hazards that can kill or hurt you and others.

All safety messages will follow the safety alert symbol and either the word "DANGER" or "WARNING."

These words mean:

⚠ DANGER

You can be killed or seriously injured if you don't immediately follow instructions.

⚠ WARNING

You can be killed or seriously injured if you don't follow instructions.

All safety messages will tell you what the potential hazard is, tell you how to reduce the chance of injury, and tell you what can happen if the instructions are not followed.

IMPORTANT SAFETY INSTRUCTIONS

WARNING: To reduce the risk of fire, electric shock, or injury to persons when using the washer, follow basic precautions, including the following:

- Read all instructions before using the washer.
- Do not wash articles that have been previously cleaned in, washed in, soaked in, or spotted with gasoline, dry-cleaning solvents, other flammable, or explosive substances as they give off vapors that could ignite or explode.
- Do not add gasoline, dry-cleaning solvents, or other flammable, or explosive substances to the wash water. These substances give off vapors that could ignite or explode.
- Under certain conditions, hydrogen gas may be produced in a hot water system that has not been used for 2 weeks or more. **HYDROGEN GAS IS EXPLOSIVE.** If the hot water system has not been used for such a period, before using the washing machine, turn on all hot water faucets and let the water flow from each for several minutes. This will release any accumulated hydrogen gas. As the gas is flammable, do not smoke or use an open flame during this time.
- Do not allow children to play on or in the washer. Close supervision of children is necessary when the washer is used near children.
- Before the washer is removed from service or discarded, remove the door or lid.
- Do not reach into the washer if the drum, tub or agitator is moving.
- Do not install or store the washer where it will be exposed to the weather.
- Do not tamper with controls.
- Do not repair or replace any part of the washer or attempt any servicing unless specifically recommended in this manual or in published user-repair instructions that you understand and have the skills to carry out.
- See "Electrical Requirements" for grounding instructions.

SAVE THESE INSTRUCTIONS

INSTALLATION REQUIREMENTS

Tools and Parts

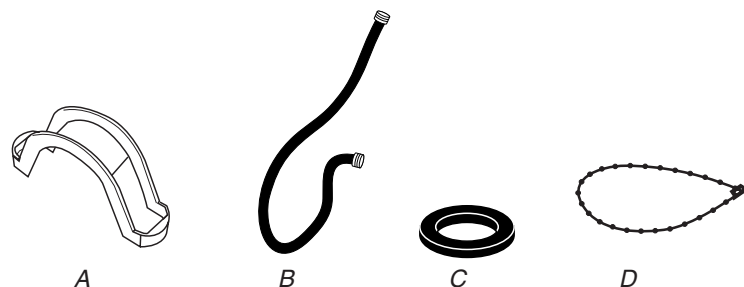
Gather the required tools and parts before starting installation. The parts supplied are in the washer basket.

Tools needed for connecting the drain hose and water inlet hoses:

- Pliers that open to 1 $\frac{1}{16}$ " (3.95 cm)
- Flashlight (optional)

NOTE: Replace inlet hoses after 5 years of use to reduce the risk of hose failure. Record hose installation or replacement dates for future reference.

Parts supplied:



A. Drain hose form

B. Water inlet hoses (2)

C. Flat water inlet hose washers (4)

D. Beaded tie strap

Tools needed for securing the drain hose and leveling the washer:

- Adjustable or open end wrench $\frac{9}{16}$ " (14 mm)
- Wood block
- Level
- Ruler or measuring tape

Alternate Parts

Your installation may require additional parts. If you are interested in purchasing one of the items listed here, call the toll-free number on the cover or in the "Assistance or Service" section.

| If You Have: | You Will Need to Buy: |
|--|--|
| Laundry tub or standpipe taller than 96" (2.4 m) | Sump pump system (if not already available) |
| 1" (2.5 cm) diameter standpipe | 2" (5 cm) diameter to 1" (2.5 cm) diameter standpipe adapter, Part Number 3363920 and connector kit Part Number 285835 |
| Overhead sewer | Standard 20 gal. (76 L) 39" (99 cm) tall drain tub or utility sink, sump pump and connectors (available from local plumbing suppliers) |
| Floor drain | Siphon break, Part Number 285834; additional drain hose, Part Number 8318155 and connector kit, Part Number 285835 |
| Water faucets beyond reach of fill hoses | 2 longer water fill hoses: 6 ft (1.8 m) Part Number 76314, 10 ft (3.0 m) Part Number 350008 |
| Lint clogged drain | Drain protector, Part Number 367031 |

Location Requirements

Selecting the proper location for your washer improves performance and minimizes noise and possible washer "walk."

Your washer can be installed in a basement, laundry room, closet, or recessed area. See "Drain System."

IMPORTANT: Do not install or store the washer where it will be exposed to the weather.

Proper installation is your responsibility.

You will need:

- A water heater set to deliver 120°F (49°C) water to the washer.
- A grounded electrical outlet located within 4 ft (1.2 m) of where the power cord is attached to the back of the washer. See "Electrical Requirements."

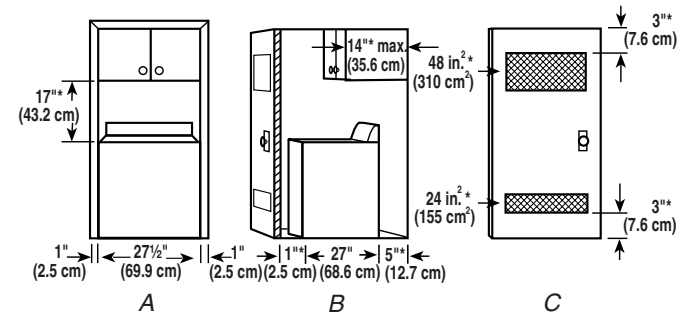
- Hot and cold water faucets located within 3 ft (90 cm) of the hot and cold water fill valves, and water pressure of 20-100 psi (138-690 kPa) for best performance.
- A level floor with a maximum slope of 1" (2.5 cm) under entire washer. Installing the washer on carpeting is not recommended.
- A sturdy floor to support the washer weight (washer, water and load) of 315 lbs (143 kgs).

Do not store or operate your washer in temperatures at or below 32°F (0°C). Some water can remain in the washer and can cause damage in low temperatures. See "Washer Care" for winterizing information.

Installation spacing for recessed area and closet installations

The following spacing dimensions are recommended for this washer. This washer has been tested for installation with spacing of 0" (0 cm) clearance on the sides. Recommended spacing should be considered for the following reasons:

- Additional spacing should be considered for ease of installation and servicing.
- Additional spacing should be considered on all sides of the washer to reduce noise transfer.
- For closet installation with a door, minimum ventilation openings in the top and bottom of the door are required. Louvered doors with equivalent ventilation openings are acceptable.
- Companion appliance spacing should also be considered.



A. Front view
B. Side view
C. Closet door with vents

*Required spacing

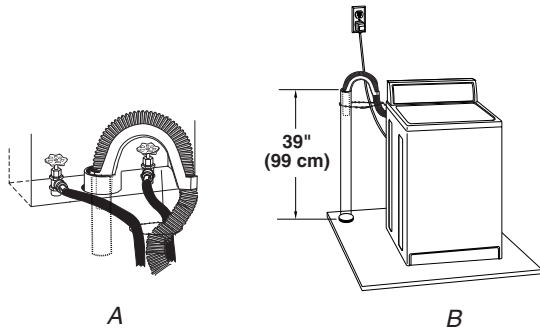
Drain System

The washer can be installed using the standpipe drain system (floor or wall), the laundry tub drain system, or the floor drain system. Select the drain hose installation method you need. See "Tools and Parts."

Standpipe drain system—wall or floor (views A & B)

The standpipe drain requires a minimum diameter standpipe of 2" (5 cm). The minimum carry-away capacity can be no less than 17 gal. (64 L) per minute. A 2" (5 cm) diameter to 1" (2.5 cm) diameter standpipe adapter kit is available. See "Tools and Parts."

The top of the standpipe must be at least 39" (99 cm) high and no higher than 96" (244 cm) from the bottom of the washer.



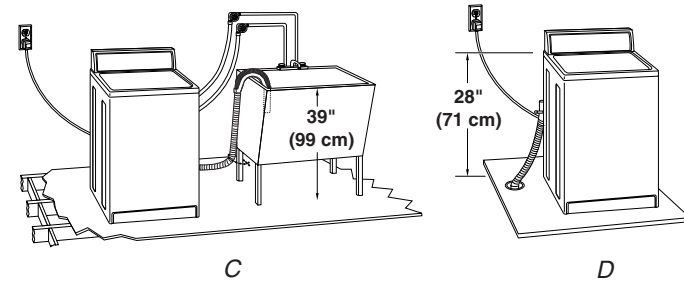
Laundry tub drain system (view C)

The laundry tub needs a minimum 20 gal. (76 L) capacity. The top of the laundry tub must be at least 39" (99 cm) above the floor and no higher than 96" (244 cm) from the bottom of the washer.

Floor drain system (view D)

The floor drain system requires a siphon break that may be purchased separately. See "Tools and Parts."

The siphon break must be a minimum of 28" (71 cm) from the bottom of the washer. Additional hoses might be needed.



Electrical Requirements

⚠ WARNING



Electrical Shock Hazard

Plug into a grounded 3 prong outlet.

Do not remove ground prong.

Do not use an adapter.

Do not use an extension cord.

Failure to follow these instructions can result in death, fire, or electrical shock.

- A 120 volt, 60 Hz., AC only, 15- or 20-amp, fused electrical supply is required. A time-delay fuse or circuit breaker is recommended. It is recommended that a separate circuit serving only this appliance be provided.
- This washer is equipped with a power supply cord having a 3 prong grounding plug.
- To minimize possible shock hazard, the cord must be plugged into a mating, 3 prong, grounding-type outlet, grounded in accordance with local codes and ordinances. If a mating outlet is not available, it is the personal responsibility and obligation of the customer to have the properly grounded outlet installed by a qualified electrician.

- If codes permit and a separate ground wire is used, it is recommended that a qualified electrician determine that the ground path is adequate.
- Do not ground to a gas pipe.
- Check with a qualified electrician if you are not sure the washer is properly grounded.
- Do not have a fuse in the neutral or ground circuit.

GROUNDING INSTRUCTIONS

For a grounded, cord-connected washer:

This washer must be grounded. In the event of a malfunction or breakdown, grounding will reduce the risk of electrical shock by providing a path of least resistance for electric current. This washer is equipped with a cord having an equipment-grounding conductor and a grounding plug. The plug must be plugged into an appropriate outlet that is properly installed and grounded in accordance with all local codes and ordinances.

WARNING: Improper connection of the equipment-grounding conductor can result in a risk of electric shock. Check with a qualified electrician or serviceman if you are in doubt as to whether the appliance is properly grounded.

Do not modify the plug provided with the appliance – if it will not fit the outlet, have a proper outlet installed by a qualified electrician.

For a permanently connected washer:

This washer must be connected to a grounded metal, permanent wiring system, or an equipment grounding conductor must be run with the circuit conductors and connected to the equipment-grounding terminal or lead on the appliance.

INSTALLATION INSTRUCTIONS

Before You Start

! WARNING

Excessive Weight Hazard

**Use two or more people to move and install washer.
Failure to do so can result in back or other injury.**

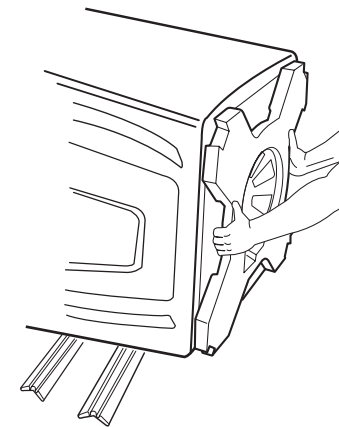
NOTE: To avoid floor damage during installation, set the washer onto cardboard before moving across floor.

IMPORTANT:

- Be sure the foam shipping base has been removed from the bottom of the washer as directed in the Unpacking Instructions.
- If foam shipping base has not been removed, be sure lid is secured with tape before laying washer on its back.
- Removing the foam shipping base is necessary for proper operation.

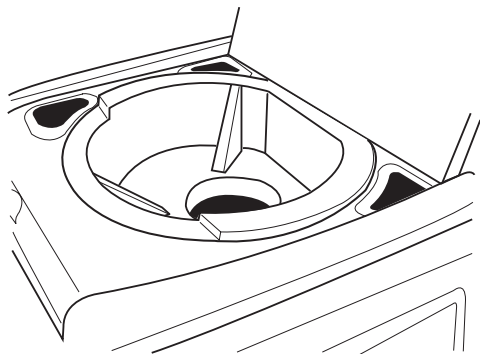
Remove Shipping Base and Packing Ring

1. Place cardboard supports from shipping carton on floor behind washer for support.
2. Secure the lid with tape.
3. Using 2 or more people, tip the washer onto its back and place on cardboard supports.
4. Remove foam shipping base.



5. Set washer upright.

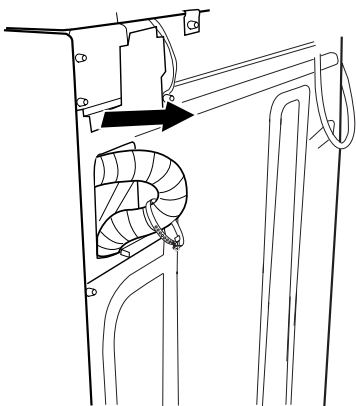
- Remove tape from lid. Open lid and remove foam packing ring from washer tub. Keep foam packing ring in case you need to move the washer in the future.



Connect Drain Hose

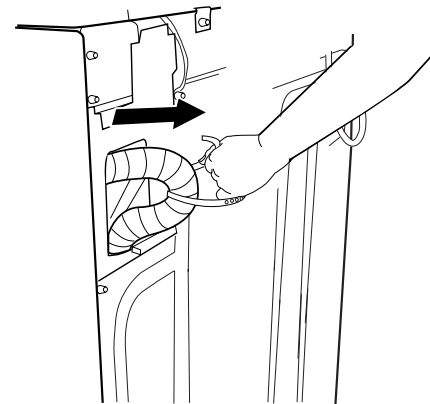
Proper connection of the drain hose protects your floors from damage due to water leakage. Read and follow these instructions.

The drain hose is connected to your washer and is stored inside the washer cabinet.



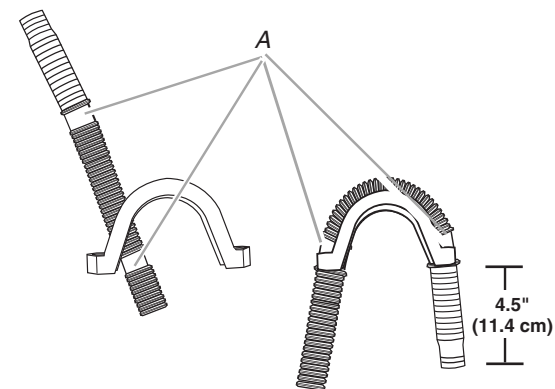
Remove drain hose from washer cabinet

Pull the corrugated drain hose out of the washer by first grabbing the pull tie. Continue to pull the hose until the end emerges. Do not force excess drain hose back into the rear of the washer.



Laundry tub drain or standpipe drain

Connecting the drain hose form to the corrugated drain hose



A. Drain hose reliefs

- Feed end of drain hose into one end of form. Place end of drain hose form into the drain hose relief.
- Bend the hose over the top of the form and feed into the other end of the form. Attach the other end of the form into the other drain hose relief. The hose must extend 4½" (11.4 cm) beyond the form.

To keep drain water from going back into the washer:

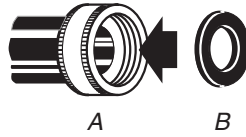
- Do not force excess drain hose into standpipe. Hose should be secure but loose enough to provide a gap for air.
- Do not lay excess hose on the bottom of the laundry tub.

Floor drain

Do not install the drain hose form on to the corrugated drain hose. You may need additional parts. See Floor drain under "Tools and Parts."

Connect the Inlet Hoses

1. Insert new flat washers (supplied) into each end of the inlet hoses. Firmly seat the washers in the couplings.

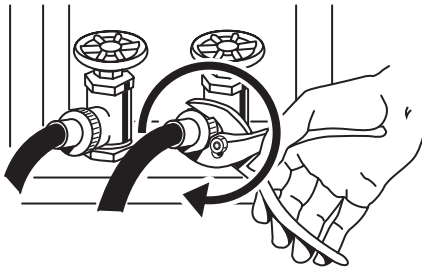


A. Coupling
B. Washer

Connect the inlet hoses to the water faucets

Make sure the washer basket is empty.

2. Attach the hose labeled hot to the hot water faucet. Screw on coupling by hand until it is seated on the washer.
3. Attach the hose labeled cold to the cold water faucet. Screw on coupling by hand until it is seated on the washer.
4. Using pliers, tighten the couplings with an additional two-thirds turn.

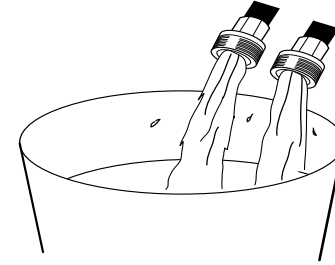


Tighten the couplings with an additional two-thirds turn.

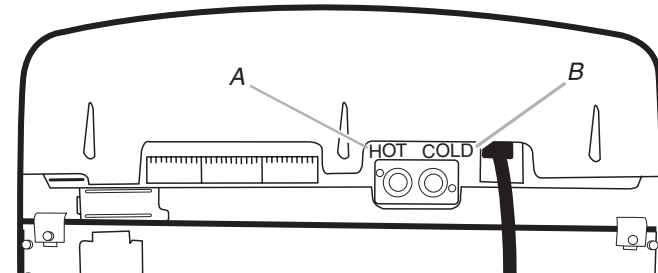
NOTE: Do not overtighten or use tape or sealants on the valve. Damage to the valves can result.

Clear the water lines

- Run water through both faucets and inlet hoses, into a laundry tub, drainpipe or bucket, to get rid of particles in the water lines that might clog the inlet valve screens.
- Check the temperature of the water to make sure that the hot water hose is connected to the hot water faucet and that the cold water hose is connected to the cold water faucet.

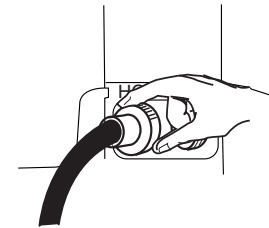


Connect the inlet hoses to the washer

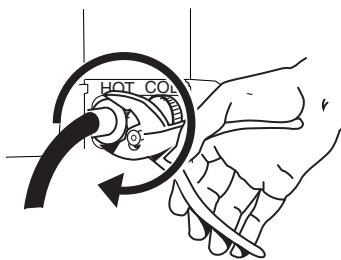


A. Hot water inlet valve
B. Cold water inlet valve

1. Attach the hot water hose to the inlet valve labeled hot.
2. Attaching one hose coupling first makes it easier to tighten the connection with pliers.
3. Screw on coupling by hand until it is seated on the washer.



- Using pliers, tighten the coupling with an additional two-thirds turn.
NOTE: Do not overtighten or use tape or sealants on the valve. Damage to the valves can result.



- Attach the cold water hose to the inlet valve labeled cold.
- Screw on coupling by hand until it is seated on the washer.
- Using pliers, tighten the coupling with an additional two-thirds turn.
NOTE: Do not overtighten or use tape or sealants on the valve. Damage to the valves can result.

Check for leaks

- Turn on the water faucets and check for leaks. A small amount of water might enter the washer. You will drain this in a later step.
NOTE: Replace inlet hoses after 5 years of use to reduce the risk of hose failure. Record hose installation or replacement dates for future reference.
- If you connect only one water hose, you must cap off the remaining water inlet port.
- Periodically inspect and replace hoses if bulges, kinks, cuts, wear, or leaks are found.

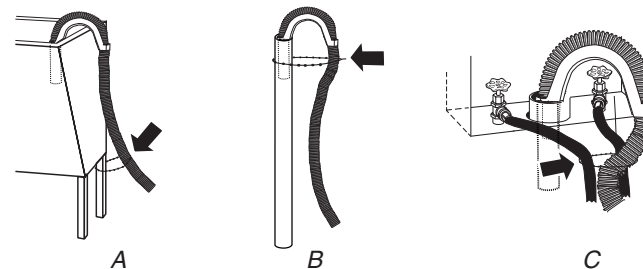
Secure the Drain Hose

- Drape the power cord over the console.
- Remove any cardboard used to move washer.



Beaded tie strap

- Fasten the drain hose to the laundry tub leg or drain standpipe with the beaded tie strap. See view A or B.



If the washer faucets and the drain standpipe are recessed, put the formed end of the drain hose into the standpipe. Tightly wrap the tie strap around the water inlet hoses and the drain hose. See view C.

Level the Washer

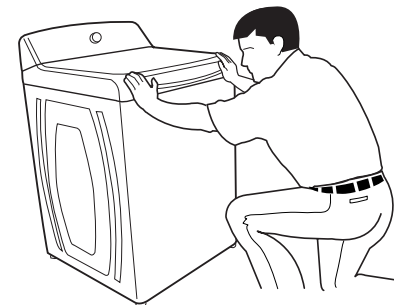
⚠ WARNING

Excessive Weight Hazard

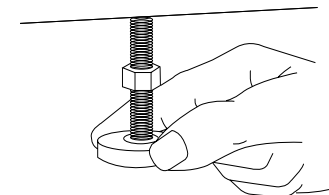
**Use two or more people to move and install washer.
Failure to do so can result in back or other injury.**

One washer foot has been installed at a different height on your new washer. The other three feet were preset at the factory. Properly leveling your washer will minimize noise and vibration.

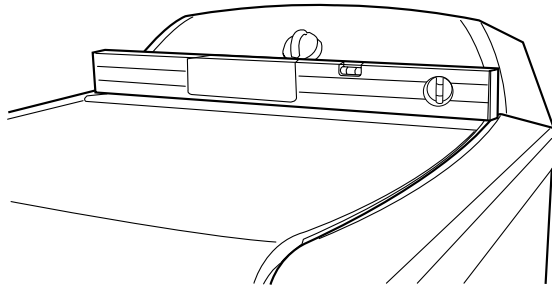
- Slide the washer to its final location.
- Push on upper front panel to be sure the washer is on its rear feet.



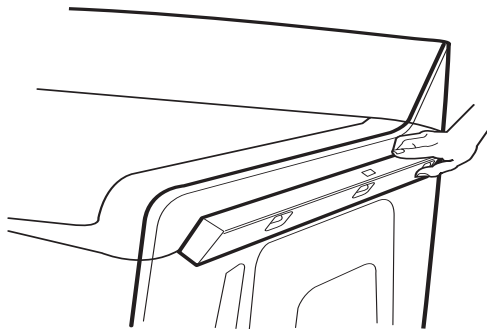
- Lower right front foot until it contacts the floor. By hand, firmly rotate foot as much as an additional 1½ turns. The other three feet have been preset at the factory.



4. Check the levelness of the washer by first placing a level on the lid near the console. Next, place the level on the side of the washer in the crease between the top of the washer and the cabinet.



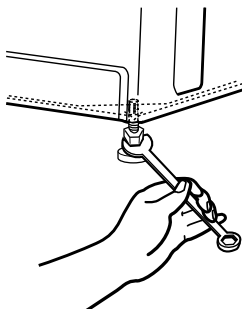
Level the front.



Level the side.

5. If the washer is not level, move the washer out slightly, tip back, prop up the front of the washer on a wood block. Adjust the feet up or down as necessary by twisting the feet. Repeat steps 1 through 4 until washer is level.
6. Use a $\frac{9}{16}$ " or 14 mm open-end wrench to turn the locknut counterclockwise on the foot tightly against the washer cabinet.

IMPORTANT: If the locknut is not tight against the washer cabinet, the washer may vibrate.



Complete Installation

1. Check the electrical requirements. Be sure that you have the correct electrical supply and the recommended grounding method. See "Electrical Requirements."
2. Check that all parts are now installed. If there is an extra part, go back through the steps to see which step was skipped.
3. Check that you have all of your tools.
4. Keep the foam packing ring from the washer tub in case you need to move the washer in the future. Dispose of/recycle all packaging materials.
5. Check that the water faucets are on.
6. Check for leaks around faucets and inlet hoses.

⚠ WARNING



Electrical Shock Hazard

Plug into a grounded 3 prong outlet.

Do not remove ground prong.

Do not use an adapter.

Do not use an extension cord.

Failure to follow these instructions can result in death, fire, or electrical shock.

7. Plug into a grounded 3 prong outlet.
8. Remove any protective film or tape remaining on the washer.
9. Read "Washer Use."
10. To test and to clean your washer, measure $\frac{1}{2}$ of the detergent manufacturer's recommended amount of powdered or liquid detergent for a medium-size load and pour it into the detergent dispenser. Close the lid. Press POWER. Select a normal cycle and press Start. Allow it to complete one whole cycle.

BENEFITS AND FEATURES

Your washer has several benefits and features that are summarized here. Some items may not apply to your model.

Benefits

IntelliFill™ Water Level Control

This washer senses the load size and composition through a series of fills and wash motion. It then adjusts the water level for the best cleaning and rinsing performance. It eliminates the guesswork. The water level is just right for every wash load size.

Auto Temp Control

The Auto Temp Control on this washer electronically senses and maintains a uniform water temperature by regulating incoming water temperatures. Using Care Control will help dissolve detergent.

Dispensers

The dispensers make your washer truly automatic. It is unnecessary for you to return to the washer during the cycle to add detergent, bleach, or fabric softener.

Laundry products are added to the load at the proper time in the wash cycle.

Stain Cycle Cleaning Action

The Stain Cycle option uses Direct Inject Cleaning Action to help ensure better soil and stain removal. Stain Cycle reduces the need for pretreatment. Water flushes through the dispenser to dissolve the detergent. The detergent mixture is then sprayed onto the load while the washer spins at low speed. This cleaning action will last up to 10 minutes depending on the cycle selected. The washer then stops spinning, fills with water to the appropriate level and continues washing with the selected cycle.

Features

Your new washer includes these features that help to reduce noise, increase the ease of use and improve wash performance.

Electronic Controls

Electronic controls with preset cycles are easy to use whether you are a beginner or an “expert.”

Quiet Operation

This washer is insulated with sound-dampening materials to reduce washer operation sounds and noises. On some models, an additional tub wrap is added for superb vibration- and sound-dampening. The washer has an additional bottom sound pad that is included separately for installation by the customer.

Suspension System

To reduce washer “walk” and “out of balance” conditions, your new washer combines:

- 4 Spring damper struts to isolate vibration
- Balance ring at the top and bottom of the wash basket to minimize vibration
- Operating software designed to sense and correct off-balance loads

Stainless Steel Basket

The stainless steel basket is corrosion resistant and enables higher spin speeds for more water extraction than traditional top-load washers, reducing drying time.

See-through Tempered Glass Lid with Solid Hold Lid Hinge (on some models)

Some models feature a see-through glass lid. Made of shatter-proof tempered glass, it shows the deep cleaning action of the wash load inside. With the solid hold lid hinge, the large lid is flexible enough to open completely and conveniently, and it won't snap or slam down.

Self-Clean Wash and Rinse Filter System

This washer filters 100% of the wash and rinse water. The water is filtered then recirculated. The force filter traps sand and dirt, flushing them down the drain, so they are not redeposited onto the clean clothes.

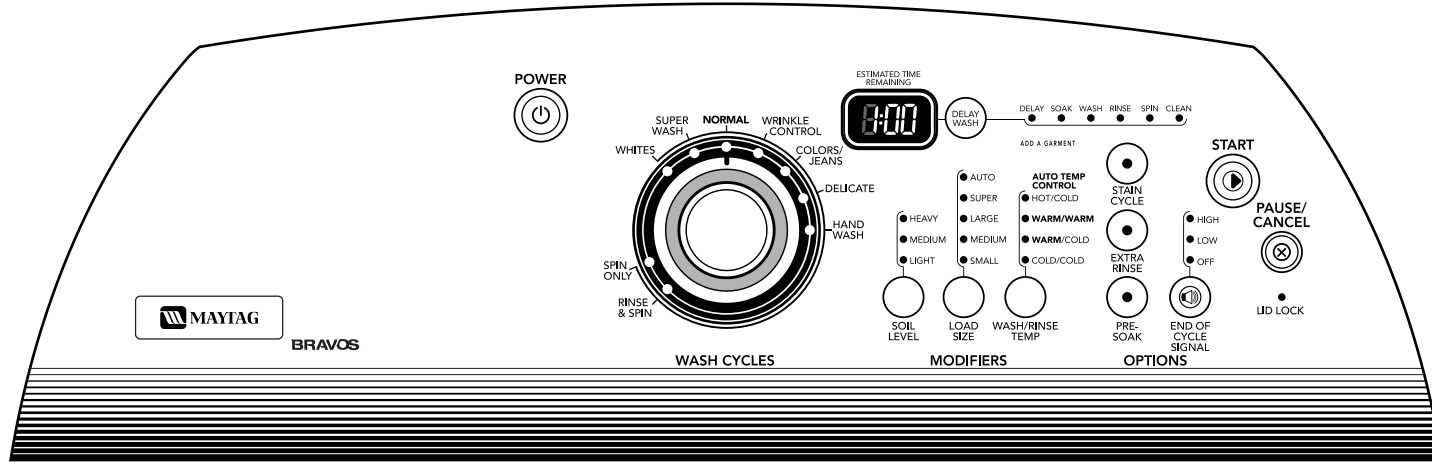
Delay Wash (on some models)

Delay Wash allows you to load your washer and pause the start of the cycle for up to 8 hours.

End of Cycle Signal

The End of Cycle Signal produces an audible sound when the wash cycle is finished. This signal is helpful when you are removing items from the washer as soon as it stops.


WASHER USE



NOTE: Your washer model may vary from the model shown.

Starting Your Washer

⚠ WARNING



Fire Hazard

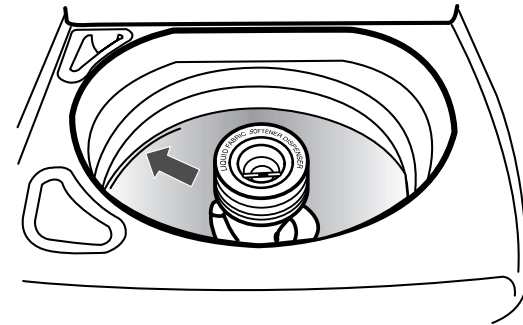
Never place items in the washer that are dampened with gasoline or other flammable fluids.

No washer can completely remove oil.

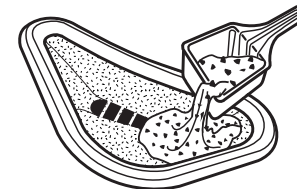
Do not dry anything that has ever had any type of oil on it (including cooking oils).

Doing so can result in death, explosion, or fire.

- Load only to the top of the basket as shown. Overloading can cause poor cleaning. Items should move easily through the wash water.



2. Pour measured powdered or liquid detergent into the detergent dispenser. Do not put detergent directly into the wash tub or onto clothes in the washer.

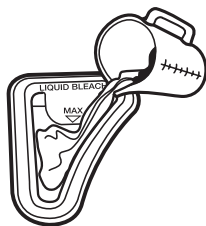


WARNING: To reduce the risk of fire, electric shock, or injury to persons, read the IMPORTANT SAFETY INSTRUCTIONS before operating this appliance.

The following is a guide to starting your washer. Periodic references to other sections of this manual provide more detailed information.

1. Place a load of sorted clothes into the washer. See "Laundry Tips."
 - Load evenly to maintain washer balance. Mix large and small items.

3. Add color-safe bleach (powdered or liquid) to the detergent dispenser, if needed. Be sure to match powdered color-safe bleach with powdered detergent or match liquid color-safe bleach with liquid detergent.
4. Pour measured liquid chlorine bleach into the liquid chlorine bleach dispenser, if needed. Bleach is automatically dispensed at the proper time during the wash cycle.

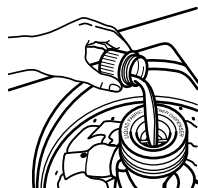


- Do not overfill. Do not dilute. Do not use more than 1 cup (250 mL) for a full load. Use less with a smaller load size.
- Follow the garment and the chlorine bleach manufacturer's directions for proper use.
- To avoid spilling, use a cup with a pouring spout. Do not let bleach splash, drip, or run down into the washer basket.
- At the end of the cycle, a small amount of water may be left in the dispenser. This is normal.

NOTE: Use only liquid chlorine bleach in this dispenser.

5. Pour measured liquid fabric softener into the fabric softener dispenser, if desired.

IMPORTANT: Dilute all fabric softener with water for a total of ½ cup (118 mL).



- Do not overfill. The dispenser holds ½ cup (118 mL).
- Do not spill or drip any fabric softener onto the clothes.

NOTES:

- Use only liquid fabric softener in this dispenser.
- Do not use fabric softener dispensing balls in this washer. Dispensing balls will not operate correctly with this washer.

6. Close the washer lid.
7. Press POWER. This turns on the washer display.
8. Select a Wash Cycle. See "Cycles."
9. Adjust the Modifiers, if desired. See "Modifiers."
10. Select desired Options. See "Options."
11. On some models, select Delay Wash, if desired. See "Delay Wash" in the "Modifiers" section.

12. Press START. The wash cycle begins, and the display shows the estimated remaining time. The lid will lock.

NOTE: If you do not press Start within 5 minutes of pressing Power, the washer automatically shuts off.

Pausing or Restarting the Washer

Add a Garment

You can place additional clothing in the wash when the "Add a Garment" status light is glowing without sacrificing wash performance.

To add a garment or pause the washer at any time

1. Press PAUSE/CANCEL once.
2. Wait until the Lid Lock light turns off, then open the lid.
3. Add items.

To restart the washer

1. Close the lid and press START.
2. To unlock the lid after the Add a Garment period, press PAUSE/CANCEL once. Pressing PAUSE/CANCEL twice will cancel the wash cycle.

Stopping the Washer

You can stop the wash cycle and drain the tub by pressing the Pause/Cancel button twice or the Power button once.

Changing Cycles, Modifiers and Options

You can change Cycles, Modifiers and Options anytime before Start is pressed. Not all Modifiers and Options are available for all cycles.

- A short tone sounds when a change is selected.
- Three short tones sound if an unavailable combination is selected. The last selection will not be accepted.

Changing Cycles after pressing Start

1. Press PAUSE/CANCEL twice to cancel the cycle. The washer will drain.
2. Press POWER.
3. Select the desired wash cycle.
4. Select the desired Modifiers and Options.
5. Press START.

The washer restarts at the beginning of the new cycle.

NOTE: If you do not press Start within 5 minutes of pausing the washer, the washer automatically shuts off.

Changing Modifiers and Options after pressing Start

You can change a Modifier or Option anytime before the selected Modifier or Option begins by choosing the desired Modifiers and/or Options.

NOTE: An error tone will sound if your selection is unavailable.

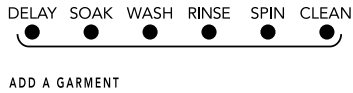
To manually drain the washer and spin the load

1. Press PAUSE/CANCEL twice to cancel the wash cycle and drain the washer.
2. Press POWER.
3. Turn knob to select DRAIN & SPIN.
4. Press START.

When the spin is complete, the lid unlocks. Items can be removed from the washer.

Status Lights

These lights show which portion of the cycle the washer is operating. They also indicate when you can add other garments to the wash load.



Indicator lights

An indicator light shows which Cycle, Modifiers and Options you have selected.

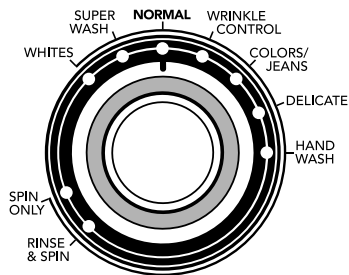
Estimated Time Remaining

When a wash cycle is started, the estimated time remaining for the cycle, including fills and drains, will be displayed. The time will count down to the end of the cycle.



Cycles

Turn the knob to choose the right wash cycle for the type of fabrics you are washing. When the knob points to a cycle, the indicator light for the cycle will glow. If the default settings for the Modifiers and Options are suitable for your wash load, you may press Start to begin the wash cycle.



Preset Cycle Settings

For ease of use, preset cycle settings provide the recommended fabric care settings for each cycle.

To use the preset cycle settings:

1. Press POWER.
2. Select the cycle you want by turning the knob. The preset cycle settings will be displayed (see the following chart).

NOTE: The preset cycle times may vary slightly depending on your model.

3. Press START. The wash cycle will begin.

Preset Cycle Settings

| Cycle | Preset Minutes | Soil Level* | Wash/Rinse Temp |
|-----------------|----------------|----------------|-----------------|
| Whites | 73 | Heavy | Hot/Cold |
| Super Wash | 68 | Heavy | Hot/Cold |
| Normal | 46 | Normal | Warm/Cold |
| Wrinkle Control | 46 | Medium | Warm/Cold |
| Colors/Jeans | 45 | Normal | Cold/Cold |
| Delicate | 35 | Medium | Warm/Cold |
| Handwash | 36 | Light | Cold/Cold |
| Rinse & Spin | 33 | Not applicable | Not applicable |
| Spin Only | 16 | Not applicable | Not applicable |

*Cycle time in minutes will appear in the display while you are making selections. The total cycle time will appear, including an estimated time for drain and fill times, once Start is pressed.

NOTE: Load only to the top of the basket. Overloading can cause poor cleaning. See "Starting Your Washer."

Whites

This cycle introduces liquid chlorine bleach to the load at the proper time for improved whitening of your heavily soiled white fabrics. Cycle combines high-speed wash action and high-speed spin. The default option setting for this cycle is Extra Rinse to thoroughly remove detergent and bleach. For maximum soil and stain removal, liquid chlorine bleach should be used.

Super Wash

Use this cycle for heavily soiled cotton or sturdy items. Cycle combines high-speed wash action and high-speed spin. Stain Cycle is the default option for this cycle, but it may be turned off. See "Changing Cycles, Modifiers and Options."

Normal

Use this cycle for normally soiled cottons and linens, such as sheets, blankets and towels. This cycle combines medium-high speed wash action and high-speed spin.

Wrinkle Control

Use this cycle to wash loads of no-iron fabrics such as sport shirts, blouses, casual business clothes, permanent press and blends. This cycle uses medium-speed wash action, a medium-speed spin and a cool down process to reduce wrinkling.

Colors/Jeans

Use this cycle for dark or highly dyed natural fabrics such as jeans or other cotton items that may be susceptible to dye loss. This cycle uses low to medium-speed wash action and high-speed spin. For best results use cold or warm water.

Delicate

Use this cycle to wash lightly soiled garments indicating “Machine Washable Silks” or “Gentle” cycle on the care label. This cycle uses low-speed wash action and low spin speeds for increased fabric care and less wrinkling.

When washing waterproof items, such as plastic-lined mattress pads, shower curtains, tarpaulin (tarps) or waterproof or water-resistant sleeping bags, use the Delicate or Handwash cycle with the lowest spin speed setting available for the washer model that you have.

Handwash

Use this cycle to clean lightly soiled special care garments or for items labeled as “Machine Washable Wool.” (Check label instructions to make sure that the garment is washable.) This cycle uses intermittent-low speed wash action and low-speed spin for the gentlest fabric care with less wrinkling.

When washing waterproof items, such as plastic-lined mattress pads, shower curtains, tarpaulin (tarps) or waterproof or water-resistant sleeping bags, use the Delicate or Handwash cycle with the lowest spin speed setting available for the washer model that you have.

Garments are labeled “Handwash” because:

- The fiber construction may be sensitive to wash action.
- The fabric contains sensitive dyes that may bleed.

NOTE: Some “Handwash” items naturally shrink when washed. Keep this in mind when you purchase items labeled “Handwash.” Items that shrink should be dried flat. When these items are still wet, “block” them by gently stretching to the original measurements.

Rinse & Spin

Use this option to get a deep rinse followed by a high-speed spin. The time display will include an estimate of how long it will take to fill and drain the washer.

When to use Rinse & Spin:

- For loads that need rinsing only.
- For completing a cycle after the power has been off.

To use or change Rinse & Spin setting:

1. Turn knob to RINSE & SPIN until the Rinse & Spin indicator light glows.
2. Press START.

Spin Only

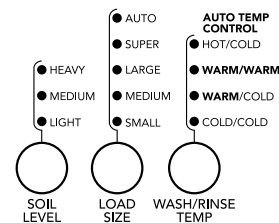
An extra drain and spin may help shorten drying times for some heavy fabrics or special-care items. Spin Only may also be used for draining the washer after canceling a cycle or completing a cycle after a power failure.

To use or change Spin Only setting:

1. Turn knob to SPIN ONLY until the Spin Only indicator light glows.
2. Press START.

Modifiers

Modifiers allow you to further customize your cycles and save energy.



Soil Level

Soil level (wash time) is preset for each wash cycle. See “Preset Cycle Settings” in “Cycles.” As you press the Soil Level pad, the cycle time (minutes) will increase or decrease in the Estimated Time Remaining display and a different wash time will appear. To get the minimum wash time, press the pad until the indicator light next to Light Soil Level illuminates. This is the shortest wash time available for that cycle.

- For most loads, use the time recommended in the preset cycle settings.
- For heavy soil and sturdy fabrics, press Soil Level to select more wash time, if needed.
- For light soil and delicate fabrics, press Soil Level to select less wash time, if needed.

Load Size

This washer automatically selects Auto for the water level when the cycle is selected. The Auto feature senses the size of the load and adds the correct amount of water for the load size. You can also manually change the water level settings.

Wash-Rinse Temp

Select a water temperature based on the type of load you are washing. Use the warmest wash water safe for fabrics. Follow garment label instructions.

Warm rinses leave the loads drier and more comfortable to handle than with cold rinses. However, warm rinses also increase wrinkling. Cold rinses may help with wrinkling and save energy.

Temperature Guide

| Wash Water Temperature | Suggested Fabrics |
|------------------------|---------------------------|
| Hot | Whites and pastels |
| Warm | Bright colors |
| Cold | Colors that bleed or fade |

NOTE: In wash water temperatures colder than 60°F (15.6°C), detergents do not dissolve well. Soils may be difficult to remove.

Auto Temp Control

Auto Temp Control electronically senses and maintains a uniform wash and rinse water temperature. Auto Temp Control regulates incoming hot and cold water and is automatically turned on when a cycle is selected. (See “Preset Cycle Settings” in “Cycles.”)

Auto Temp Control is available with Warm/Warm, Warm/Cold and Cold/Cold settings. The water temperature in the Hot/Cold setting depends on the water temperature at the water inlet faucets.

- Auto Temp Control ensures consistent cleaning.
- Today’s detergents work well at temperatures above 60°F (15.6°C).

Delay Wash (on some models)

You can use the Delay Wash feature to delay the start of a wash cycle for up to 8 hours (depending on your model).

1. Load the washer and fill the dispensers.
2. Close the washer lid.
3. Press POWER.
4. Select the desired Cycle, Modifiers and Options.
5. Press DELAY WASH. 1H (one hour) will be displayed in the time display window. The indicator light for Delay Wash will glow.



6. For a longer delay time, press DELAY WASH. The Start time will increase by 1-hour steps.
7. Press START. The countdown in hours to the wash cycle will show in the time display window and the indicator light will begin to flash.

NOTE: The Start indicator light will not flash when Delay Wash is chosen. You must press Start to initiate a countdown for the cycle to begin.

To change the Delay Wash time:

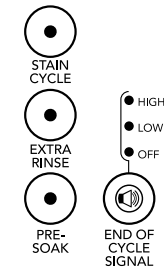
- Press PAUSE/CANCEL.
- Press DELAY WASH to select the desired delay time.
- Press START to begin the countdown.

To cancel Delay Wash:

Press START again to begin the cycle right away or press PAUSE/CANCEL twice.

Options

Use these pads to select the desired options for your wash cycle.



Stain Cycle

This option provides enhanced cleaning action for tough stains. The Heavy Duty cycle automatically includes Stain Cycle. Choosing Stain Cycle will add approximately 10 minutes to a cycle. Stain Cycle should be started on a dry load only and cannot be selected after the tub has started filling with water.

Stain Cycle may be selected as an option with other cycles. See table for details.

| Cycle | Stain Cycle (Adds time to the wash cycle) |
|-----------------|---|
| Whites | Option |
| Super Wash | Default |
| Normal | Option |
| Wrinkle Control | Option |
| Colors/Jeans | Option |
| Delicate | Not available |
| Handwash | Option |
| Rinse & Spin | Not available |
| Spin Only | Not available |

Extra Rinse

An extra rinse can be used to aid in the removal of detergent or bleach residue from garments. This option provides an additional rinse with the same water temperature as the first rinse. This is the default rinse setting for the Whites cycle.

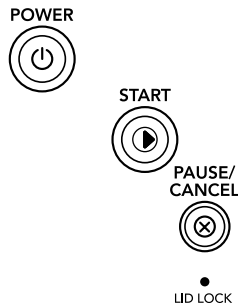
Pre Soak

Use this option for set-in stains and soil that need extra time for removal. Soaking in this washer is different than in a conventional washer. The washer sprays the load with water and detergent at extra-low spin speed followed by a brief pause. This action is repeated. Pre Soak cycles through a series of sprays followed by a pause to allow the detergent to work on the soils. The Pre Soak feature is followed by the selected cycle. Using Pre Soak will extend your wash cycle.

End of Cycle Signal Volume

The End of Cycle Signal produces an audible sound when the wash cycle is finished. This signal is helpful when you are removing items from the washer as soon as it stops. Select On or Off.

Operating Controls



Power

Press POWER to turn the washer on or off.

Start

Press START to start your washer after a cycle has been selected. Be sure all desired Modifiers and Options have been selected. The lid must be closed for the washer to start.

Pause/Cancel

Press PAUSE/CANCEL once to pause or stop the washer at any time. Press PAUSE/CANCEL once to unlock the lid and add a garment. Press START to complete the cycle from where it was stopped. Press PAUSE/CANCEL twice to stop the wash cycle. The washer will then drain and turn off.

Lid Lock

When the Lid Lock status light glows, the washer lid is locked.

NOTE: You must wait until the Lid Lock Light turns off before the lid can be opened.

Normal Sounds

Your new washer may make sounds your old one didn't. Because the sounds might be unfamiliar, you may be concerned about them. These sounds are normal.

During washing

If you select the Stain Cycle option, you will hear a spin/spray noise at the start of the cycle.

During drain

If water is drained quickly from your washer (depending on your installation), you may hear air being pulled through the pump during the end of draining.

During wash and spin

This washer does not have a transmission. The motor provides direct drive for agitation and spin. You will hear sounds that are different from those of a conventional washer.

LAUNDRY TIPS

Preparing clothes for washing

Follow these recommendations to help you prolong the life of your garments.

- Close zippers, snaps, and hooks to avoid snagging other items. Remove pins, buckles, and other hard objects to avoid scratching the washer interior. Remove non-washable trim and ornaments.
- Empty pockets and turn them inside-out.
- Turn down cuffs; brush away lint and dirt.
- Turn synthetic knits inside-out to avoid pilling.
- Tie strings and sashes so they will not tangle.
- Mend tears, loose hems, and seams.
- Treat spots and stains.
- Stained or wet garments should be washed promptly for best results.

Sorting

- Separate heavily soiled items from lightly soiled ones, even if they would normally be washed together. Separate lint-givers (towels, chenille) from lint-takers (corduroy, synthetics, permanent press). When possible, turn lint-givers inside-out.
- Separate dark colors from light colors, colorfast items from noncolorfast items.
- Sort by fabric and construction (sturdy cottons, knits, delicate items).
- When washing waterproof items, such as plastic-lined mattress pads, shower curtains, tarpaulin (tarps) or waterproof or water-resistant sleeping bags, use the Delicate or Handwash cycle with the lowest spin speed setting available for the washer model that you have.

Unloading

- Remove clothes from washer after the cycle is completed. Metal objects such as zippers, snaps, and buckles may rust if left in the washer basket for a long time.

WASHER CARE

Cleaning Your Washer

Use a soft, damp cloth or sponge to wipe up any spills such as detergent or bleach from the outside of your washer.

Clean your washer interior by mixing 1 cup (250 mL) of chlorine bleach and 2 cups (500 mL) of detergent. Pour this mixture into your washer and run it through a complete cycle using hot water. Select the Super Load Size. Repeat this process if necessary.

Remove any hard water deposits using only cleaners labeled as washer safe.

Cleaning the liquid fabric softener dispenser:

1. To remove the fabric softener dispenser from the agitator, wrap both hands behind the top of the fabric softener dispenser and interlock fingers. Lift up while pulling toward you.
2. Separate the top and base of the dispenser. Rinse all three dispenser parts (the base, the inner cone-shaped cup and the top) under warm water.
3. For ease of assembly, reassemble the dispenser with the parts upside down.
IMPORTANT: Be sure the inner cone-shaped cup is straight and placed completely in the top of the dispenser before installing the base.
4. Reinstall the dispenser. Be sure it is completely seated. The rim must be tight to the top of the agitator.

NOTE: To avoid damage to the washer or clothing, do not wash clothes with the liquid fabric softener dispenser removed or add detergent or bleach to this dispenser; it is for liquid fabric softener only.

Water Inlet Hoses

Replace inlet hoses after 5 years of use to reduce the risk of hose failure. Periodically inspect and replace inlet hoses if bulges, kinks, cuts, wear or leaks are found.

When replacing your inlet hoses, mark the date of replacement on the label with a permanent marker.

Vacation, Storage and Moving Care

Install and store your washer where it will not freeze. Because some water may stay in the hoses, freezing can damage your washer. If storing or moving your washer during freezing weather, winterize it.

Non-use or vacation care:

Operate your washer only when you are at home. If you will be on vacation or not using your washer for an extended period of time, you should:

- Unplug washer or disconnect power.
- Turn off the water supply to the washer. This helps avoid accidental flooding (due to a water pressure surge) while you are away.

To winterize washer:


1. Shut off both water faucets.
2. Disconnect and drain water inlet hoses.
3. Put 1 qt (1 L) of R.V.-type antifreeze in the basket.

4. Run washer on the Rinse & Spin setting for about 30 seconds to mix the antifreeze and remaining water.
5. Unplug washer or disconnect power.

To use washer again:

1. Flush water pipes and hoses. Reconnect water inlet hoses. Turn on both water faucets.

⚠ WARNING



Electrical Shock Hazard

Plug into a grounded 3 prong outlet.

Do not remove ground prong.

Do not use an adapter.

Do not use an extension cord.

Failure to follow these instructions can result in death, fire, or electrical shock.

2. Plug in washer or reconnect power.
3. Run the washer using any cycle and a Super Load Size water level to clean the washer and remove the antifreeze, if used. Use ½ the manufacturer's recommended amount for a medium-size load.

To transport the washer:

1. Shut off both water faucets.
2. Disconnect and drain water inlet hoses.
3. If the washer will be moved during freezing weather, put 1 qt (1 L) of R.V.-type antifreeze in the basket. Run washer on the Rinse & Spin setting for about 30 seconds to mix the antifreeze and remaining water.
4. Disconnect the drain from the drain system.
5. Unplug the power cord.
6. Place the inlet hoses into the basket.
7. Drape the power cord and drain hose over edge into the basket.
8. Place foam packing ring from the original shipping materials in the top of washer. If you do not have the original foam packing ring, place heavy blankets, towels, etc. into basket opening. Close the lid and put a piece of tape over the lid and down to the front of the washer. Keep lid taped until the washer is placed into the new location.

Reinstalling the washer

1. Follow the “Installation Instructions” to locate, level and connect the washer.

2. Run the washer using any cycle and a Super Load Size water level to clean the washer and remove the antifreeze, if used. Use ½ the manufacturer's recommended amount for a medium-size load.

TROUBLESHOOTING

First try the solutions suggested here and possibly avoid the cost of a service call...

Washer and Components

Washer displaying code messages

■ **LF “LF” (Washer is taking too long to fill)**

Check the following:

Are the water inlet hoses kinked or clogged?

Are the water inlet valve screens clear?

Press PAUSE/CANCEL to clear display.

Is the drain hose installed properly? See “Connect the Drain Hose.”

■ **Ld “Ld” (Washer is taking too long to drain water from the wash tub)**

Check the following:

Is the drain hose kinked or clogged?

Is the drain hose installed properly? See “Connect the Drain Hose.” Press PAUSE/CANCEL to clear display.

■ **uL “uL” (Unbalanced Load)**

If the load is unbalanced, the washer will display this code while running an imbalanced load correction routine at the end of the wash cycle and before the final spin. If the code remains and the wash cycle dial is flashing after the recovery routine has stopped, open lid and redistribute the load. Close lid and press START.

■ **oL “oL” (Over Load)**

Is the washer overloaded? The washer has attempted to fill and begin the wash cycle. If the washer is overloaded, it will drain any water and detergent that was added during the fill. To correct the overload, remove several items and add detergent. Close lid and press START.

■ **Sd “Sd” (Suds Detected)**

Did you add too much detergent?

Always measure detergent. Follow detergent manufacturer's directions.

If excessive suds are detected, the washer will display this code while running a suds reduction correction routine at the end of the wash cycle. The suds reduction routine removes extra suds and assures proper rinsing of your garments. If the code remains and the wash cycle dial is flashing after the recovery routine has stopped, re-select your desired cycle using cold water. Press START. Do not add detergent.

■ **ld “ld” (Lid Opened)**

Is the lid open? Close the lid to clear the display.

■ **HC “HC” (Cold and Hot hoses switched)**

This code will appear at the end of the wash cycle to indicate that the cold and hot water inlet hoses are switched. If an error code does not appear but you are experiencing poor washing performance, check to see whether the inlet hoses are reversed. See “Connect the Inlet Hoses.”

■ **dL “dL” (Door/Lid cannot lock)**

Indicates lid is not locked. Check for items caught in the lid keeping it from closing. Press PAUSE/CANCEL once to clear the code.

■ **dU “dU” (Door/Lid cannot unlock)**

Is there excessive weight on the lid, such as a basket of laundry? Excessive weight will keep the lid from unlocking. Press PAUSE/CANCEL once to clear the code.

■ **F_ _ “F##” code**

Press PAUSE/CANCEL once to clear code. Press START. If code appears again, call for service.

Noisy, vibrating, off-balance

■ **Is the washer level? Does the washer rock when pushed against the corners?**

The washer must be level. The front and rear feet must be in firm contact with the floor. Check that the locknuts are tightened. See “Level the Washer.”

■ **Is the floor flexing, sagging or not level?**

Flooring that flexes or is uneven can contribute to noise and vibration of the washer. A ¾" (1.9 cm) piece of plywood under the washer will reduce the sounds. See “Location Requirements.”

■ **Is the load balanced?**

Evenly distribute the load in the washer basket and make sure the height of the load does not exceed the top row of basket holes. See “Starting Your Washer.”

■ **Do you hear clicking or other noises when the cycle changes from washing to draining or spinning?**

When the drive system shifts or the washer basket settles between cycles you may hear noises that are different from your previous washer. These are normal washer noises.

■ **Is the washer gurgling or humming?**

When the washer drains, the pump will make a continuous humming with periodic gurgling or surging sounds as the final amounts of water are removed. This is normal.

■ **Are you washing a small load?**

You will hear more splashing sounds when washing small loads. This is normal.

■ **The washer basket moves while washing.**

This is normal.

Washer leaks

- **Are the fill hoses tight?**
- **Are the fill hose washers properly seated?**
Check both ends of each hose. See “Connect the Inlet Hoses.”
- **Did you pull the drain hose from the washer cabinet and install it in a standpipe or laundry tub?**
The drain hose should be pulled from the washer cabinet and secured to the drainpipe or laundry tub. See “Connect Drain Hose” and “Secure the Drain Hose.”
- **Is the sink or drain clogged?**
Sink and drainpipe must be able to carry away 17 gal. (64 L) of water per minute. If sink or drainpipe is clogged or slow, water can back up out of drainpipe or sink.
- **Is water splashing off the tub ring or the load?**
The wash load should be balanced and not overloaded. If the wash load is unbalanced or overloaded, incoming water can deflect off the load.
- **Is the washer properly installed?**
The washer must be level. The feet should be properly installed and the nuts tightened. See “Level the Washer.”


- **Was the cycle interrupted and then the Stain Cycle option selected?**
The Stain Cycle option should be started on a dry load only. The Stain Cycle option cannot be selected after the tub has started filling with water.
- **Check household plumbing (laundry tubs, faucets, drainpipe, water pipes) for leaks.**

Dispenser operation

- **Are the laundry products in the correct dispensers?**
Add the correct amounts of detergent (powdered or liquid), liquid chlorine bleach, or fabric softener to the correct dispenser. You can add powdered or liquid color-safe bleach to the detergent dispenser. Be sure to match powdered color-safe bleach with powdered detergent or match liquid color-safe bleach with liquid detergent. Use only liquid chlorine bleach in the bleach dispenser.
- **Is there water remaining in the bottom of a dispenser? Did the dispenser drain properly?**
A small amount of water may be left in a dispenser at the end of the cycle. This is normal.
- **Did you put powdered or liquid color-safe bleach into the liquid chlorine bleach dispenser (on some models)?**
Add powdered or liquid color-safe bleach directly to the detergent dispenser. Do not use the chlorine bleach dispenser for color-safe bleach.
- **Is the fabric softener dispenser clogged?**
Clean the fabric softener dispenser. See “Washer Care.”

Washer Operation

⚠ WARNING



Electrical Shock Hazard

Plug into a grounded 3 prong outlet.

Do not remove ground prong.

Do not use an adapter.

Do not use an extension cord.

Failure to follow these instructions can result in death, fire, or electrical shock.

Washer won't fill, rinse or agitate; washer stops

- **Is the power cord plugged into a grounded 3 prong outlet?**
Plug power cord into a grounded 3 prong outlet.
- **Are you using an extension cord?**
Do not use an extension cord.

- **Is there power at the plug?**
Check electrical source or call electrician.
- **Is the indicator on the Cycle Control knob properly lined up with a cycle?**
Turn the Cycle Control knob to the right slightly.
- **Are the water inlet valve screens clogged?**
Turn off the water and remove inlet hoses from the washer. Remove any accumulated film or particles. Reinstall hoses, turn on water and check for leaks.
- **Are the hot and cold water faucets turned on?**
Turn on the water.
- **Is the water inlet hose kinked?**
Straighten the hoses.
- **Does the water level seem too low, or does the washer appear to not fill completely?**
The Auto Water Level feature senses the size of the load and adds the correct amount of water for the load size. A different water level may be selected by pressing LOAD SIZE.
- **Are you using Auto Water Level?**
The Auto feature senses the size of the load and adds the correct amount of water for the load size.
- **Has a household fuse blown, or has a circuit breaker tripped?**
Replace the fuse or reset the circuit breaker. If the problem continues, call an electrician.
- **Is the washer in a normal pause in the cycle?**
The washer may pause during certain cycles. Allow the cycle to continue.
- **Is the washer overloaded?**
Wash smaller loads. See “Starting Your Washer” for maximum load size.

- **Is there oversudsing?**
Cancel the current cycle. Select SPIN ONLY to drain the load. Re-select your desired cycle and press START. Do not add detergent. Use cold water.
- **Is the lid open?**
The lid must be closed during operation. The washer will not operate with the lid open.
- **Did you add more items to the load once the washer started?**
Once the load is wet, there may appear to be space for more items. Do not add more than 1 or 2 garments after the cycle has started. For best results determine load size with dry items only.

Washer continues to fill or drain, or the cycle seems stuck

- **Is the top of drain hose lower than the control knobs on washer?**
The top of the drain hose must be at least 39" (99 cm) above the floor. See "Drain System."
- **Does the drain hose fit too tightly in the standpipe, or is it taped to the standpipe?**
The drain hose should be loose yet fit securely. Do not seal the drain hose with tape. The hose needs an air gap. See "Installation Instructions."

Washer won't drain or spin; water remains in washer

- **Is the drain hose clogged, or the end of the drain hose more than 96" (244 cm) above the floor?**
See "Drain System."
- **Is the lid open?**
The lid must be closed during operation. The washer will not operate with the lid open.

Wash/Rinse temperature

- **Are the hot and cold water inlet hoses reversed?**
If the hot and cold water inlet hoses are reversed, the washer will display an "HC" error code at the end of the cycle. If an error code does not appear but you are experiencing poor washing performance, check to see whether the inlet hoses are reversed. See "Connect the Inlet Hoses."

- **Are you washing many loads?**
As your frequency of loads washed increases, the water temperature may decrease for hot and warm temperatures. This is normal.
- **Do you have an ENERGY STAR® qualified washer?**
The wash water temperatures may feel cooler to you than those of your previous washer. This is normal.
- **Does the wash water temperature feel lower than usual?**
As washing progresses, the wash temperature will decrease slightly for hot and warm washes. This is normal.

To reduce wrinkling, the warm rinse is regulated to be cooler than the warm wash.

Excessive sudsing

- **Is there excessive sudsing?**
Always measure detergent. Follow detergent manufacturer's directions. If you have very soft water, you might need to use less detergent.
- **Was the cycle interrupted and then the Stain Cycle option selected?**
The Stain Cycle option should be started on a dry load only. The Stain Cycle option cannot be selected after the tub has started filling with water.

Cycle did not run Stain Cycle option

- **Did you select the Stain Cycle option?**
The Stain Cycle option must be selected for it to be included in a wash cycle. The Stain Cycle option should be started on a dry load only. Stain Cycle cannot be selected after the tub has started filling with water.
- The Stain Cycle option is a default in the Super Wash cycle and may be added to other cycles.

Clothing Care

Load too wet

- **Did you use the right cycle for the load being washed?**
Select a cycle with higher spin speed.
- **Did you use a cold rinse?**
Cold rinses leave loads wetter than warm rinses. This is normal.
- **Did you wash an extra large load?**
A large unbalanced load could result in a reduced spin speed and wet clothes at the end of the cycle. Evenly distribute the load and make sure the height of the load does not exceed the top row of basket holes.

Residue or lint on load

- **Did you sort properly?**
Sort lint givers (towels, chenille) from lint takers (corduroy, synthetics). Also sort by color.
- **Did you overload the washer?**
The wash load must be balanced and not overloaded. Clothes should move freely. Lint or powdered detergent can be trapped in the load if the washer is overloaded. Wash smaller loads. See "Starting Your Washer" for maximum load size.
- **Did you use enough detergent?**
Follow detergent manufacturer's directions. Use enough detergent to hold the lint in the water.

- **Did you line dry your clothing?**
If so, you can expect some lint on the clothing. The air movement and tumbling of a dryer removes lint from the load.
- **Was paper or tissue left in pockets?**
- **Is your water colder than 60°F (15.6°C)?**
Wash water colder than 60°F (15.6°C) may not completely dissolve the detergent.
- **Did you use the proper Soil Level and Wash Cycle for the load?**
Reducing wash time (duration) and wash speed are ways to reduce lint.
- **Did you add detergent to the dispenser?**
For best results, use the dispenser to dissolve the detergent.

Load is wrinkled, twisted or tangled

- **Did you unload the washer promptly?**
Unload the washer as soon as it stops.
- **Did you use the right cycle for the load being washed?**
To reduce wrinkling, tangling and twisting, select a cycle with low wash and spin speeds, such as Delicate or Handwash/Wool.
- **Did you overload the washer?**
The wash load must be balanced and not overloaded. Loads should move freely during washing to reduce wrinkling, tangling and twisting.
- **Was the wash water warm enough to relax wrinkles?**
If safe for the load, use warm or hot wash water. Use cold rinse water.
- **Are the hot and cold water hoses reversed?**
A hot rinse followed by spin will cause wrinkling. Check that the hot and cold water hoses are connected to the correct faucets. If the hot and cold water inlet hoses are reversed, the washer will display an "HC" error code at the end of the cycle. If an error code does not appear but you are experiencing poor washing performance, check to see whether the inlet hoses are reversed. See "Connect the Inlet Hoses."

Stains, gray whites, dingy colors

- **Did you properly sort the load?**
Dye transfer can occur when mixing whites and colors in a load. Sort dark clothes from whites and lights.
- **Was the wash temperature too low?**
Use hot or warm washes if safe for the load. Make sure your hot water system is adequate to provide a hot water wash.
- **Did you use enough detergent, or do you have hard water?**
Use more detergent for washing heavy soils in cold or hard water. Water temperature should be at least 60°F (15.6°C) for soap to dissolve and work properly. For best performance, use the detergent manufacturer's recommended amounts.

- **Did you follow the manufacturer's directions when adding detergent and fabric softener?**
Measure detergent and fabric softener. Use enough detergent to remove soil and hold it in suspension. Dilute fabric softener and add to the rinse portion of a cycle only. Do not drip fabric softener onto clothes.
- **Is there above average iron (rust) in water?**
You may need to install an iron filter.
- **Did you add detergent to the dispenser?**
For best results, use the dispenser to dissolve the detergent.
- **Did you add fabric softener directly to the load?**
Use your fabric softener dispenser. Do not drip fabric softener onto clothes.
- **Did you use a fabric softener dispensing ball?**
Use the fabric softener dispenser provided with the washer. Dispensing balls will not operate correctly with this washer.
- **Did you unload the washer promptly?**
To avoid dye transfer, unload the washer as soon as it stops.
- **Did you add detergent, chlorine bleach or fabric softener too late in the cycle?**
Detergent, chlorine bleach, and fabric softener should be added to the dispensers before starting the washer.

Garments damaged

- **Were sharp items removed from pockets before washing?**
Empty pockets, zip zippers, snap or hook fasteners before washing to avoid snagging and tearing of load.
- **Were strings and sashes tied to avoid tangling?**
Straps and strings can easily become entangled in the load, causing strain on seams and tearing.
- **Were items damaged before washing?**
Mend rips and broken threads in seams before washing.
- **Did you overload the washer?**
The wash load must be balanced and not overloaded. Loads should move freely during washing.
- **Did you add chlorine bleach properly?**
Do not pour chlorine bleach directly onto load. Wipe up bleach spills. Undiluted bleach will damage fabrics. Do not place load items on top of the bleach dispenser when loading and unloading the washer (on some models). Do not use more than the manufacturer's recommended amount for a full load.
- **Did you follow the garment manufacturer's care label instructions?**

ASSISTANCE OR SERVICE

Before calling for assistance or service, please check “Troubleshooting.” It may save you the cost of a service call. If you still need help, follow the instructions below.

When calling, please know the purchase date and the complete model and serial number of your appliance. This information will help us to better respond to your request.

If you need replacement parts

If you need to order replacement parts, we recommend that you use only factory specified parts. Factory specified parts will fit right and work right because they are made with the same precision used to build every new MAYTAG® appliance.

To locate factory specified parts in your area, call the following customer assistance telephone number or your nearest designated service center.

In the U.S.A.

Call the Maytag Services, LLC Customer Assistance toll free:
1-800-688-9900.

Our consultants provide assistance with:

- Features and specifications on our full line of appliances.
- Installation information.
- Use and maintenance procedures.
- Accessory and repair parts sales.
- Specialized customer assistance (Spanish speaking, hearing impaired, limited vision, etc.).
- Referrals to local dealers, repair parts distributors and service companies. Maytag® appliances designated service technicians are trained to fulfill the product warranty and provide after-warranty service, anywhere in the United States.

To locate the Maytag® appliances designated service company in your area, you can also look in your telephone directory Yellow Pages.

For further assistance

If you need further assistance, you can write to Maytag® appliances with any questions or concerns at:

Maytag Services, LLC
ATTN: CAIR® Center
P.O. Box 2370
Cleveland, TN 37320-2370

Please include a daytime phone number in your correspondence.

In Canada

Call the Whirlpool Canada LP Customer Interaction Centre toll free: **1-800-807-6777**, or visit our website at www.whirlpool.ca.

Our consultants provide assistance with:

- Features and specifications on our full line of appliances.
- Use and maintenance procedures.
- Accessory and repair parts sales.
- Referrals to local dealers, repair parts distributors, and service companies. Whirlpool Canada LP designated service technicians are trained to fulfill the product warranty and provide after-warranty service, anywhere in Canada.

For further assistance

If you need further assistance, you can write to Whirlpool Canada LP with any questions or concerns at:

Customer Interaction Centre
Whirlpool Canada LP
1901 Minnesota Court
Mississauga, Ontario L5N 3A7

Please include a daytime phone number in your correspondence.

MAYTAG CORPORATION MAJOR APPLIANCE WARRANTY

ONE YEAR LIMITED WARRANTY

For one year from the date of purchase, when this major appliance is operated and maintained according to instructions attached to or furnished with the product, Maytag Corporation or Maytag Limited (hereafter "Maytag") will pay for Factory Specified Parts and repair labor to correct defects in materials or workmanship. Service must be provided by a Maytag designated service company. This limited warranty applies only when the major appliance is used in the country in which it was purchased.

ITEMS MAYTAG WILL NOT PAY FOR

1. Service calls to correct the installation of your major appliance, to instruct you how to use your major appliance, to replace or repair house fuses or to correct house wiring or plumbing.
2. Service calls to repair or replace appliance light bulbs, air filters or water filters. Those consumable parts are excluded from warranty coverage.
3. Repairs when your major appliance is used for other than normal, single-family household use.
4. Damage resulting from accident, alteration, misuse, abuse, fire, flood, acts of God, improper installation, installation not in accordance with electrical or plumbing codes, or use of products not approved by Maytag.
5. Any food loss due to refrigerator or freezer product failures.
6. Replacement parts or repair labor costs for units operated outside the United States or Canada.
7. Pickup and delivery. This major appliance is designed to be repaired in the home.
8. Repairs to parts or systems resulting from unauthorized modifications made to the appliance.
9. Expenses for travel and transportation for product service in remote locations.
10. The removal and reinstallation of your appliance if it is installed in an inaccessible location or is not installed in accordance with published installation instructions.
11. Replacement parts or repair labor costs when the major appliance is used in a country other than the country in which it was purchased.

DISCLAIMER OF IMPLIED WARRANTIES; LIMITATION OF REMEDIES

CUSTOMER'S SOLE AND EXCLUSIVE REMEDY UNDER THIS LIMITED WARRANTY SHALL BE PRODUCT REPAIR AS PROVIDED HEREIN. IMPLIED WARRANTIES, INCLUDING WARRANTIES OF MERCHANTABILITY OR FITNESS FOR A PARTICULAR PURPOSE, ARE LIMITED TO ONE YEAR OR THE SHORTEST PERIOD ALLOWED BY LAW. MAYTAG SHALL NOT BE LIABLE FOR INCIDENTAL OR CONSEQUENTIAL DAMAGES. SOME STATES AND PROVINCES DO NOT ALLOW THE EXCLUSION OR LIMITATION OF INCIDENTAL OR CONSEQUENTIAL DAMAGES, OR LIMITATIONS ON THE DURATION OF IMPLIED WARRANTIES OF MERCHANTABILITY OR FITNESS, SO THESE EXCLUSIONS OR LIMITATIONS MAY NOT APPLY TO YOU. THIS WARRANTY GIVES YOU SPECIFIC LEGAL RIGHTS AND YOU MAY ALSO HAVE OTHER RIGHTS, WHICH VARY FROM STATE TO STATE OR PROVINCE TO PROVINCE.

Outside the 50 United States and Canada, this warranty does not apply. Contact your authorized Maytag dealer to determine if another warranty applies.

If you need service, first see the "Troubleshooting" section of the Use & Care Guide. After checking "Troubleshooting," additional help can be found by checking the "Assistance or Service" section or by calling Maytag. In the U.S.A., call **1-800-688-9900**. In Canada, call **1-800-807-6777**.

9/06

Keep this book and your sales slip together for future reference. You must provide proof of purchase or installation date for in-warranty service.

Write down the following information about your major appliance to better help you obtain assistance or service if you ever need it. You will need to know your complete model number and serial number. You can find this information on the model and serial number label located on the product.

Dealer name _____

Address _____

Phone number _____

Model number _____

Serial number _____

Purchase date _____

SEGURIDAD DE LA LAVADORA

Su seguridad y la seguridad de los demás es muy importante.

Hemos incluido muchos mensajes importantes de seguridad en este manual y en su electrodoméstico. Lea y obedezca siempre todos los mensajes de seguridad.



Este es el símbolo de advertencia de seguridad.

Este símbolo le llama la atención sobre peligros potenciales que pueden ocasionar la muerte o una lesión a usted y a los demás.

Todos los mensajes de seguridad irán a continuación del símbolo de advertencia de seguridad y de la palabra “PELIGRO” o “ADVERTENCIA”. Estas palabras significan:

⚠ PELIGRO

Si no sigue las instrucciones de inmediato, usted puede morir o sufrir una lesión grave.

⚠ ADVERTENCIA

Si no sigue las instrucciones, usted puede morir o sufrir una lesión grave.

Todos los mensajes de seguridad le dirán el peligro potencial, le dirán cómo reducir las posibilidades de sufrir una lesión y lo que puede suceder si no se siguen las instrucciones.

INSTRUCCIONES IMPORTANTES DE SEGURIDAD

ADVERTENCIA: Para reducir el riesgo de incendio, choque eléctrico o lesiones a personas al usar su lavadora, siga las precauciones básicas, incluyendo las siguientes:

- Lea todas las instrucciones antes de usar la lavadora.
- No lave artículos que hayan sido previamente limpiados, lavados, remojados o humedecidos con gasolina, solventes para lavar en seco, u otras sustancias inflamables o explosivas ya que éstas emanan vapores que podrían encenderse o causar una explosión.
- No agregue gasolina, solventes para lavar en seco, u otras sustancias inflamables o explosivas al agua de lavado. Estas sustancias emanan vapores que podrían encenderse o causar una explosión.
- En ciertas condiciones, puede generarse gas hidrógeno en un sistema de agua caliente que no se haya usado por dos semanas o un período mayor. **EL GAS HIDRÓGENO ES EXPLOSIVO.** Si no se ha usado el agua caliente durante dicho período, antes de usar la lavadora, abra todos los grifos de agua caliente y deje que corra el agua por varios minutos. Esto liberará todo el gas hidrógeno que se haya acumulado. Debido a la inflamabilidad de dicho gas, no fume ni use una llama abierta durante este lapso.
- No permita que los niños jueguen encima o dentro de la lavadora. Es necesario una supervisión cuidadosa de los niños toda vez que se use la lavadora cerca de ellos.
- Antes de poner la lavadora fuera de servicio o desecharla, quítele la puerta o la tapa.
- No introduzca las manos en la lavadora si el tambor, la tina, o el agitador están funcionando.
- No instale ni almacene esta lavadora donde pudiese estar sometida a la intemperie.
- No trate de forzar los controles.
- No repare ni cambie pieza alguna de la lavadora ni intente realizar tarea alguna de servicio técnico, excepto cuando así se le indique específicamente en este manual o en instrucciones de reparación para el usuario publicadas, que usted entienda y para cuya ejecución cuente con la habilidad necesaria.
- Para obtener información respecto a los requisitos de conexión a tierra, refiérase a los "Requisitos Eléctricos".

GUARDE ESTAS INSTRUCCIONES

REQUISITOS DE INSTALACIÓN

Piezas y herramientas

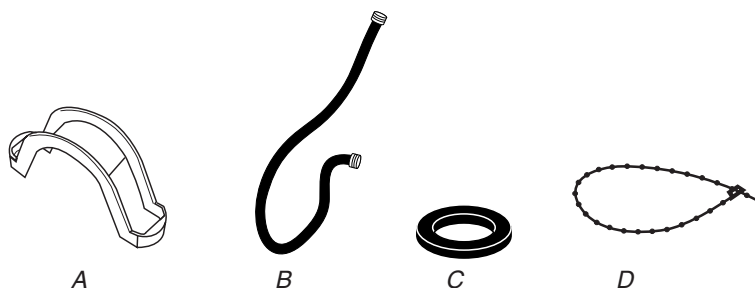
Reúna las herramientas y piezas necesarias antes de comenzar la instalación. Las piezas provistas están en la canasta de la lavadora.

Herramientas necesarias para la conexión de la manguera de desagüe y las mangueras de entrada del agua:

- Alicates que se abran a 1 $\frac{1}{16}$ " (3,95 cm)
- Linterna (opcional)

NOTA: Reemplace las mangueras de entrada después de 5 años de uso para reducir el riesgo de que fallen. Para consulta en el futuro, anote en las mangueras la fecha de instalación o la fecha de reposición de las mismas.

Piezas suministradas:



A. Molde de la manguera de desagüe
 B. Mangueras de entrada de agua (2)
 C. Arandelas planas para la manguera de desagüe (4)
 D. Fleje de atadura rebordeado

Herramientas necesarias para sujetar la manguera de desagüe y nivelar la lavadora:

- Llave de tuercas ajustable o de extremo abierto de $\frac{3}{16}$ " (14 mm)
- Bloque de madera
- Nivel
- Regla o cinta para medir

Piezas alternativas

Su instalación puede requerir piezas suplementarias. Si está interesado en adquirir una de las piezas aquí enlistadas, llame al número gratuito que se encuentra en la portada o en la sección "Ayuda o servicio técnico".

| Si tiene: | Debe comprar: |
|--|---|
| Tina de lavandería o tubo vertical de más de 96" (2,4 m) de altura | Sistema de bomba de sumidero (si no está disponible aún) |
| Tubo vertical de 1" (2,5 cm) de diámetro | Un adaptador de tubo vertical de 2" (5 cm) de diámetro a 1" (2,5 cm) de diámetro, pieza número 3363920 y juego de conectores, pieza número 285835 |
| Una alcantarilla suspendida | Tina de desagüe estándar de 20 gal. (76 L) 39" (99 cm) de altura o lavadero utilitario, bomba de sumidero y conectores (disponible en tiendas locales de artículos de plomería) |
| Desagüe por el piso | Interruptor de efecto de sifón, pieza número 285834; manguera de desagüe adicional, pieza número 8318155; y juego de conectores, pieza número 285835 |
| Grifos del agua fuera del alcance de las mangueras de llenado | 2 mangueras de llenado del agua más largas: 6 pies (1,8 m) pieza número 76314, 10 pies (3,0 m) pieza número 350008 |
| Desagüe obstruido por pelusa | Protector del desagüe, pieza número 367031 |

Requisitos de ubicación

La selección de una ubicación apropiada para su lavadora realza el rendimiento y reduce al mínimo el ruido y la posible "caminata" de la lavadora.

Su lavadora se puede instalar en un sótano, cuarto para lavar, clóset o un lugar empotrado. Vea "Sistema de desagüe".

IMPORTANTE: No instale o almacene esta lavadora donde estará expuesta a la intemperie.

La instalación correcta es su responsabilidad.

Usted necesitará:

- Un calentador de agua fijado para suministrar a la lavadora el agua a 120°F (49°C).
- Un contacto eléctrico con conexión a tierra ubicado a una distancia de no más de 4 pies (1,2 m) del lugar donde el cable eléctrico está fijado a la parte posterior de la lavadora. Vea "Requisitos eléctricos".
- Los grifos de agua caliente y de agua fría ubicados a una distancia de no más de 3 pies (90 cm) de las válvulas de llenado del agua caliente y fría y una presión de agua de 20-100 lbs/pg² (138-690 kPa) para un mejor rendimiento.
- Un piso nivelado con un declive máximo de 1" (2,5 cm) debajo de la lavadora completa. No se recomienda instalar la lavadora sobre pisos alfombrados.
- Un piso resistente que sostenga el peso de la lavadora (la lavadora, el agua y la carga) de 315 lbs (143 kgs).

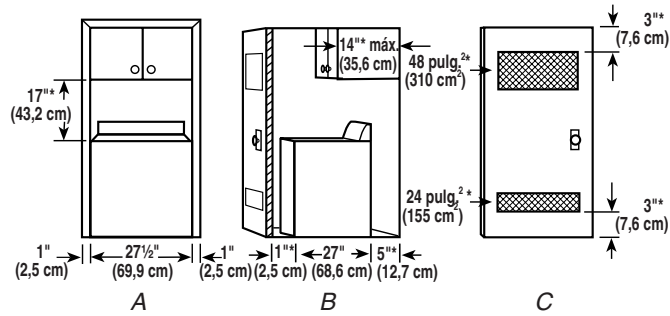
No guarde ni haga funcionar su lavadora a temperaturas iguales o inferiores a 32°F (0°C). El agua que quede en la lavadora puede ocasionar daños a bajas temperaturas. Vea "Cuidado de la lavadora" para saber cómo acondicionarla para el invierno.

Espacio para la instalación en un lugar empotrado o en un clóset

Se recomiendan las siguientes dimensiones de espacio para esta lavadora. Esta lavadora fue puesta a prueba para la instalación con un espacio de 0" (0 cm) en ambos lados. El espacio recomendado debe ser considerado por los siguientes motivos:

- Debe considerarse espacio adicional para facilitar la instalación y el servicio técnico.
- Se debe considerar agregar espacio adicional en todos los lados de la lavadora para reducir la transferencia de ruidos.
- Para la instalación en clóset, con una puerta, se requieren aberturas de ventilación mínimas en la parte superior e inferior de la puerta. Se aceptan puertas tipo persiana con aberturas de ventilación equivalentes.

- También se debe considerar espacio adicional para otro electrodoméstico que le acompañe.



A. Vista frontal
B. Vista lateral
C. Puerta de clóset con orificios de ventilación

*Espacio necesario

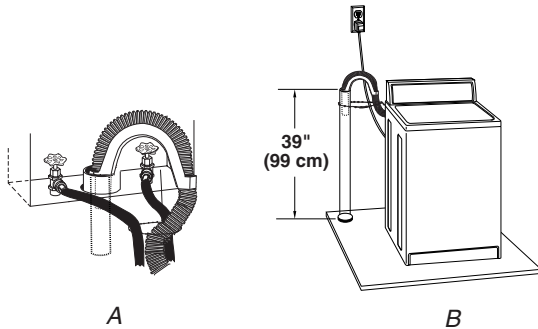
Sistema de desagüe

Se puede instalar la lavadora utilizando el sistema de desagüe por tubo vertical (en el piso o en la pared), el sistema de desagüe por el lavadero, o el sistema de desagüe por el piso. Seleccione el método de instalación de la manguera de desagüe que usted necesite. Vea "Piezas y herramientas".

Sistema de desagüe por tubo vertical – en la pared o en el piso (vistas A y B)

El desagüe por tubo vertical necesita un tubo vertical con un diámetro mínimo de 2" (5 cm). La capacidad mínima de desagüe no puede ser menor de 17 gal. (64 L) por minuto. Se dispone de un juego de adaptador para tubo vertical de 2" (5 cm) de diámetro a 1" (2,5 cm) de diámetro. Vea "Piezas y herramientas".

La parte superior del tubo vertical debe tener una altura mínima de 39" (99 cm) y máxima de 96" (244 cm) de la parte inferior de la lavadora.



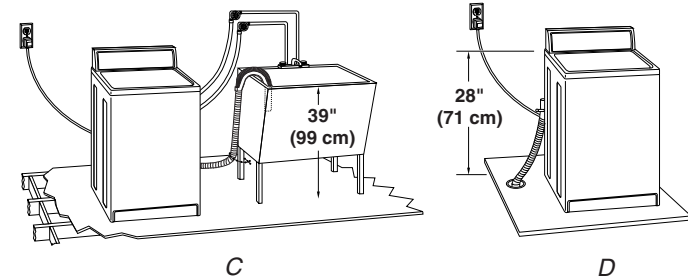
Sistema de desagüe por el lavadero (vista C)

El lavadero necesita una capacidad mínima de 20 gal. (76 L). La parte superior de la tina de lavadero debe tener una altura mínima de 39" (99 cm) por encima del piso y máxima de 96" (244 cm) de la parte inferior de la lavadora.

Sistema de desagüe por el piso (vista D)

El sistema de desagüe por el piso necesita una desviación del sifón que puede adquirirse por separado. Vea "Piezas y herramientas".

La desviación del sifón debe estar a una distancia mínima de 28" (71 cm) de la parte inferior de la lavadora. Se pueden necesitar mangueras adicionales.



Requisitos eléctricos

⚠ ADVERTENCIA



Peligro de Choque Eléctrico

Conecte a un contacto de pared de conexión a tierra de 3 terminales.

No quite la terminal de conexión a tierra.

No use un adaptador.

No use un cable eléctrico de extensión.

No seguir estas instrucciones puede ocasionar la muerte, incendio o choque eléctrico.

- Se requiere una fuente de alimentación eléctrica de 120 Voltios, 60-Hz. de CA únicamente, de 15 ó 20 Amperios, dotada de fusibles. Se recomienda un fusible de acción retardada o un disyuntor. Es recomendable suministrar un circuito individual exclusivamente para este electrodoméstico.

- Esta lavadora viene con un cable de alimentación con un enchufe de 3 vías para conectar a tierra.
- Para reducir la posibilidad de choques eléctricos, el cable de alimentación debe enchufarse a un tomacorriente de pared equivalente de 3 vías con conexión a tierra, de acuerdo con todos los códigos y reglamentos locales. Si no se dispone de un tomacorriente equivalente, es la responsabilidad y obligación personal del usuario ordenar a un electricista calificado la instalación de un tomacorriente apropiado, conectado a tierra.
- Si está permitido en los códigos y se utiliza un alambre a tierra separado, es recomendable que un electricista calificado determine cuál es la ruta adecuada a tierra.
- No conecte a tierra usando una tubería de gas.
- Si no está seguro que su lavadora está conectada a tierra correctamente, haga que un electricista calificado lo compruebe.
- No instale un fusible en el circuito neutral o de tierra.

INSTRUCCIONES PARA LA CONEXIÓN A TIERRA

Para una lavadora conectada a tierra con cable eléctrico:

Esta lavadora debe conectarse a tierra. En caso de funcionamiento defectuoso o avería, la conexión a tierra reducirá el riesgo de choque eléctrico al proporcionar una vía de menor resistencia para la corriente eléctrica. Esta lavadora viene equipada con un cable eléctrico que tiene un conductor de conexión a tierra del equipo y un enchufe con conexión a tierra. El enchufe debe conectarse en un contacto de pared apropiado que haya sido debidamente instalado y conectado a tierra de conformidad con todos los códigos y ordenanzas locales.

ADVERTENCIA: La conexión incorrecta de la terminal de conexión a tierra del equipo puede ocasionar un riesgo de choque eléctrico. Consulte con un electricista o técnico en reparaciones calificado si tiene duda alguna en cuanto a la conexión a tierra correcta del electrodoméstico.

No modifique el enchufe provisto con el electrodoméstico. Si éste no encaja en el contacto de pared, pida a un electricista calificado que le instale un contacto de pared apropiado.

Para una lavadora con contacto eléctrico permanente:

Esta lavadora debe conectarse a un metal puesta a tierra, un sistema con cableado permanente a tierra o conectarse a un equipo cuyo suministro incluya una terminal de tierra.

INSTRUCCIONES DE INSTALACIÓN

Antes de comenzar

⚠ ADVERTENCIA

Peligro de Peso Excesivo

Use dos o más personas para mover e instalar la lavadora.

No seguir esta instrucción puede ocasionar una lesión en la espalda u otro tipo de lesiones.

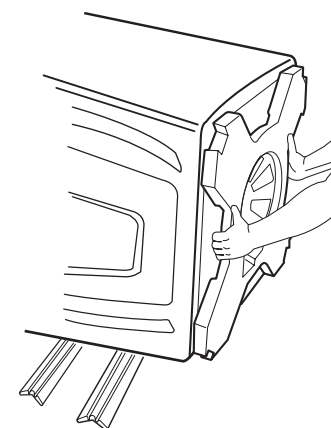
NOTA: Para evitar daños en el piso durante la instalación, coloque la lavadora sobre un cartón antes de moverla por el piso.

IMPORTANTE:

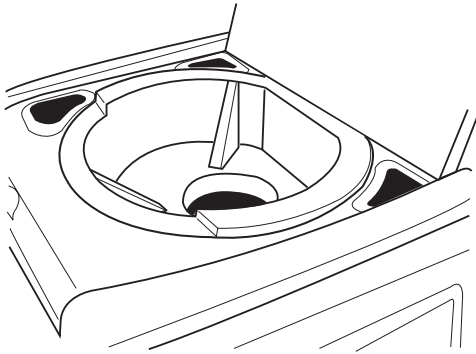
- Asegúrese de que se ha quitado la base de embalaje de espuma de la parte inferior de la lavadora como se indica en las instrucciones para el desempaque.
- Si no se ha quitado la base de embalaje de espuma, asegúrese de que la tapa esté ajustada con cinta adhesiva antes de colocar la lavadora sobre su parte posterior.
- Para un funcionamiento adecuado es necesario quitar la base de embalaje de espuma.

Quite la base y el anillo de embalaje

1. Coloque los soportes de cartón del embalaje sobre el piso detrás de la lavadora para soporte.
2. Asegure la tapa con cinta adhesiva.
3. Con la ayuda de 2 o más personas, incline la lavadora sobre su parte posterior y colóquela sobre los soportes de cartón.
4. Quite la base de embalaje de espuma.



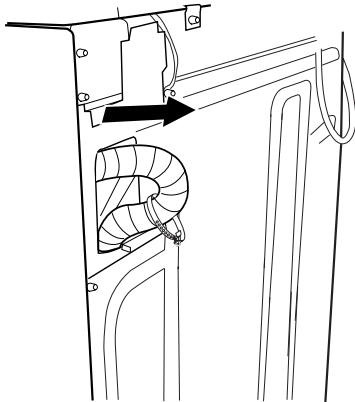
- Ponga la lavadora en posición vertical.
- Saque la cinta de la tapa. Abra la tapa y saque el anillo de embalaje de espuma de la tina de la lavadora. Conserve el anillo de embalaje de espuma en caso de que necesite mover la lavadora en el futuro.



Conecte la manguera de desagüe

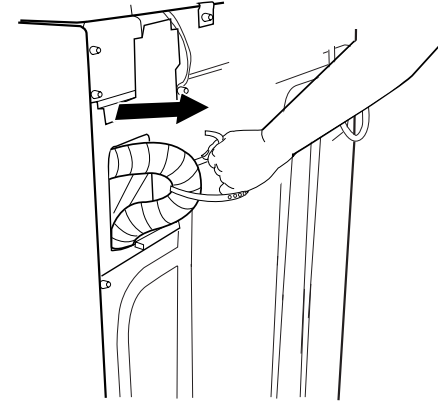
Para proteger sus pisos de los daños ocasionados por las fugas de agua, conecte correctamente la manguera de desagüe. Lea y siga estas instrucciones.

La manguera de desagüe está conectada a su lavadora y está guardada dentro del gabinete de la misma.



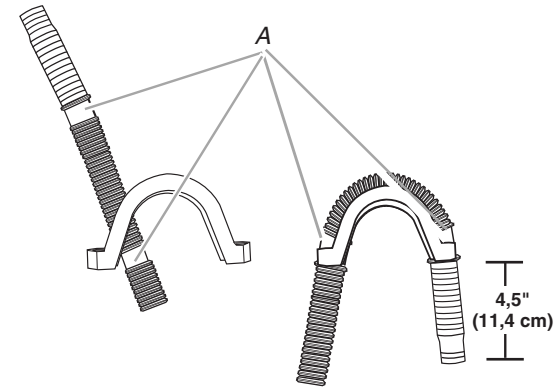
Quite la manguera de desagüe del gabinete de la lavadora

Jale la manguera de desagüe corrugada fuera de la lavadora agarrando primero la atadura. Continúe jalando la manguera hasta que aparezca su extremo. No fuerce el exceso de la manguera de desagüe dentro de la parte posterior de la lavadora.



Desagüe por la tina de lavadero o desagüe por tubo vertical

Conexión del molde de la manguera de desagüe a la manguera de desagüe corrugada



A. Hendiduras de la manguera de desagüe

- Haga pasar el extremo de la manguera de desagüe dentro de un extremo del molde. Coloque el extremo del molde de la manguera de desagüe en la hendidura de la manguera de desagüe.
- Doble la manguera sobre la parte superior del molde y hágala pasar por el otro extremo del molde. Sujete el otro extremo del molde en la otra hendidura de la manguera de desagüe. La manguera deberá extenderse 4½" (11,4 cm) más allá del molde.

Para evitar que el agua de desagüe vuelva a su lavadora:

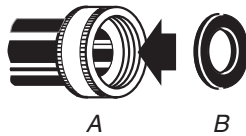
- No fuerce el exceso de la manguera de desagüe dentro del tubo vertical. La manguera debe estar asegurada pero a la vez lo suficientemente floja que permita un espacio para el aire.
- No tienda el exceso de la manguera en el fondo de la tina del lavadero.

Desagüe por el piso

No instale el molde de la manguera de desagüe a la manguera de corrugada. Quizás necesite piezas adicionales. Vea Desagüe por el piso en "Piezas y herramientas".

Conexión de las mangueras de entrada

1. Inserte nuevas arandelas planas (suministradas) en cada extremo de las mangueras de entrada. Asiente firmemente las arandelas en los acoplamientos.

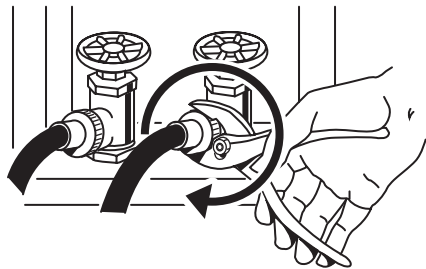


A. Acoplamiento
B. Arandela

Conecte las mangueras de entrada a los grifos de agua

Asegúrese de que la canasta de la lavadora esté vacía.

2. Conecte la manguera con la etiqueta "hot" (caliente) al grifo de agua caliente. Atornille el acoplamiento con la mano hasta que se asiente en la arandela.
3. Conecte la manguera con la etiqueta "cold" (frío) al grifo de agua fría. Atornille el acoplamiento con la mano hasta que se asiente en la arandela.
4. Apriete los acoplamientos con los alicates, girándolos dos tercios de vuelta adicional.

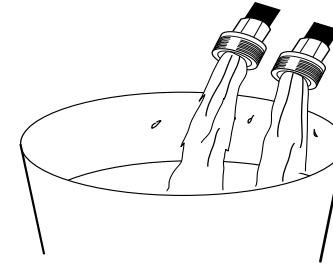


Apriete los acoplamientos dos tercios de vuelta adicional.

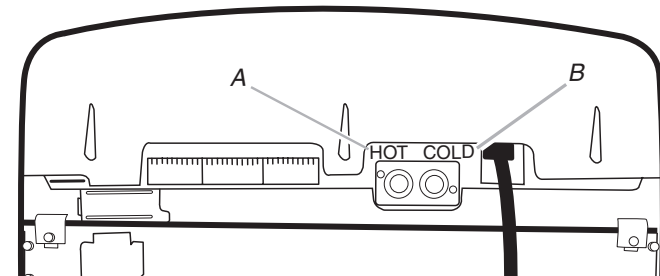
NOTA: No apriete demasiado ni use cinta o selladores en la válvula. Se pueden dañar las válvulas.

Limpie el agua de las líneas

- Deje correr el agua en ambos los grifos y las mangueras de entrada en un lavadero, tubo de desagüe o cubeta para eliminar las partículas que se encuentran en las tuberías del agua, las cuales podrían obstruir los filtros de la válvula de entrada.
- Verifique la temperatura del agua para asegurarse de que la manguera de agua caliente esté conectada al grifo de agua caliente y que la manguera de agua fría esté conectada al grifo de agua fría.

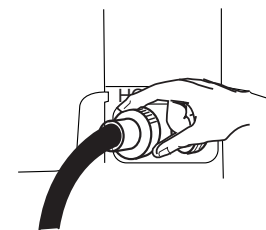


Conecte las mangueras de entrada a la lavadora

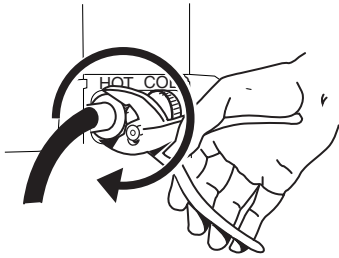


A. Válvula de entrada de agua caliente
B. Válvula de entrada de agua fría

1. Afiance la manguera de agua caliente a la válvula de entrada con el rótulo de "hot" (caliente).
2. Si conecta primero un acoplamiento de la manguera, le será más fácil apretar la conexión con los alicates.
3. Atornille el acoplamiento con la mano hasta que se asiente en la arandela.



4. Apriete el acoplamiento con los alicates, girándolos dos tercios de vuelta adicional.
NOTA: No apriete demasiado ni use cinta o selladores en la válvula. Se pueden dañar las válvulas.



5. Afiance la manguera de agua fría a la válvula de entrada con el rótulo de "cold" (fría).
 6. Atornille el acoplamiento con la mano hasta que se asiente en la arandela.
 7. Apriete el acoplamiento con los alicates, girándolos dos tercios de vuelta adicional.
NOTA: No apriete demasiado ni use cinta o selladores en la válvula. Se pueden dañar las válvulas.

Revise si hay fugas

- Abra los grifos del agua y revise si hay filtraciones de agua. Una pequeña cantidad de agua podría entrar en la lavadora. Esto lo desaguará en un paso posterior.
NOTA: Reemplace las mangueras de entrada después de cinco años de uso para reducir el riesgo de que fallen. Para consulta en el futuro, anote en las mangueras la fecha de instalación o la fecha de reposición de las mismas.
- Si conecta una sola manguera de agua, deberá taponar el otro puerto de entrada de agua.
- Inspeccione periódicamente y reemplace las mangueras si aparecen bultos, torceduras, cortaduras, desgastes o filtraciones de agua.

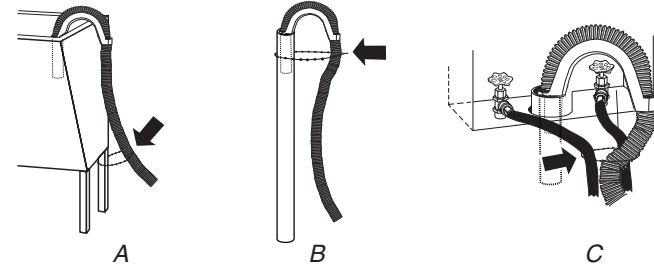
Fijación de la manguera de desagüe

1. Coloque el cable eléctrico encima de la consola.
2. Quite cualquier cartón que haya usado para mover la lavadora.



Fleje de atadura rebordeado

3. Sujete la manguera de desagüe a la pata del lavadero o al tubo vertical utilizando el fleje de atadura rebordeado. Vea la vista A o B.



Si los grifos de suministro de agua de la lavadora y el tubo vertical de desagüe están empotrados, ponga el extremo moldeado de la manguera de desagüe en el tubo vertical. Enrolle el fleje de atadura con firmeza alrededor de las mangueras de entrada del agua y de la manguera de desagüe. Vea la vista C.

Nivelación de la lavadora

! ADVERTENCIA

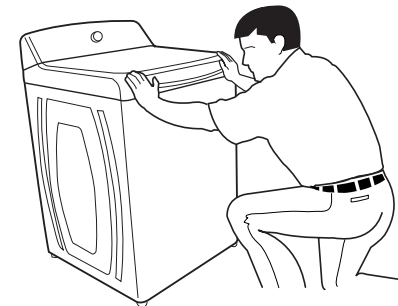
Peligro de Peso Excesivo

Use dos o más personas para mover e instalar la lavadora.

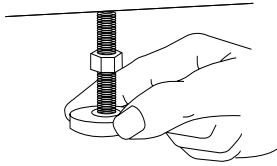
No seguir esta instrucción puede ocasionar una lesión en la espalda u otro tipo de lesiones.

En su nueva lavadora, se instaló una pata a una altura diferente. Las otras tres patas fueron prefijadas en fábrica. La nivelación apropiada de su lavadora reducirá al mínimo el ruido y la vibración.

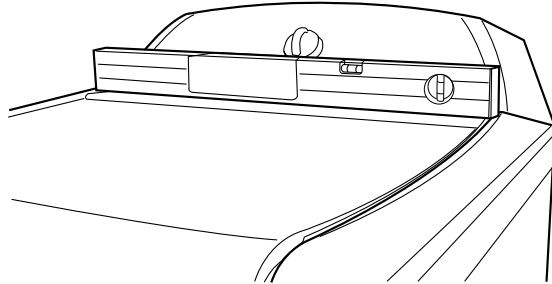
1. Deslice la lavadora a su ubicación final.
2. Empuje el panel delantero superior para asegurarse de que la lavadora esté sobre las patas traseras.



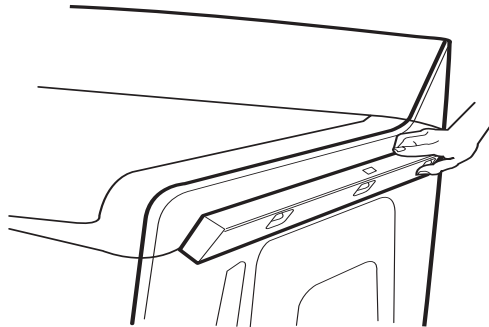
3. Baje la pata delantera derecha hasta que quede en contacto con el piso. Gire la pata a mano firmemente hasta 1½ giro adicional. Las otras tres patas fueron prefijadas en fábrica.



4. Verifique la nivelación de la lavadora colocando primero un nivel en la tapa, cerca de la consola. Después coloque el nivel al costado de la lavadora, en la plegadura que está entre la parte superior de la lavadora y el gabinete.



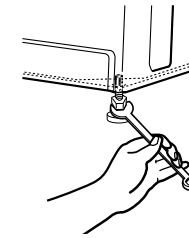
Nivele la parte frontal.



Nivele la parte lateral.

5. Si la lavadora no está nivelada, muévala levemente hacia afuera, inclínela hacia atrás y apuntale el frente de la lavadora con un bloque de madera. Ajuste las patas hacia arriba o hacia abajo según sea necesario, girándolas. Repita los pasos 1 a 4 hasta que la lavadora quede nivelada.

6. Use una llave de boca de 9/16" o de 14 mm para girar la contratuerca en el sentido contrario a las agujas del reloj en la pata con firmeza contra el gabinete de la lavadora. **IMPORTANTE:** Si no se aprieta la contratuerca contra el gabinete de la lavadora, ésta podría vibrar.



Complete la instalación

1. Revise los requisitos eléctricos. Asegúrese de contar con la fuente de electricidad correcta y el método recomendado de conexión a tierra. Vea "Requisitos eléctricos".
2. Verifique que todas las piezas estén instaladas. Si hay alguna pieza extra, vuelva a revisar todos los pasos para ver cuál se omitió.
3. Controle para verificar que tiene todas las herramientas.
4. Guarde el anillo de embalaje de espuma que vino en la tina de la lavadora, por si necesita cambiar de lugar la lavadora en el futuro. Deshágase de todos los materiales de embalaje o recíclelos.
5. Controle que los grifos de agua estén abiertos.
6. Verifique si hay fugas alrededor de los grifos y de las mangueras de entrada.

⚠ ADVERTENCIA



Peligro de Choque Eléctrico

Conecte a un contacto de pared de conexión a tierra de 3 terminales.

No quite la terminal de conexión a tierra.

No use un adaptador.

No use un cable eléctrico de extensión.

No seguir estas instrucciones puede ocasionar la muerte, incendio o choque eléctrico.

7. Conecte a un contacto de pared de conexión a tierra de 3 terminales.
8. Quite la película protectora o la cinta que reste en la lavadora.

9. Lea “Uso de la lavadora”.

10. Para probar y limpiar su lavadora, mida ½ de la cantidad de detergente en polvo o líquido recomendada por el fabricante para una carga mediana y viértalo en el depósito de detergente. Cierre la tapa. Oprima Encendido (POWER). Seleccione un ciclo normal y oprima Inicio (Start). Deje que la lavadora funcione durante el ciclo completo.

BENEFICIOS Y CARACTERÍSTICAS

Su lavadora cuenta con varios beneficios y características que se resumen a continuación. Es posible que algunas características no se apliquen a su modelo.

Beneficios

Control del nivel del agua Intellifill™

Esta lavadora detecta el tamaño y la composición de la carga a través de una serie de llenados y el movimiento de lavado. Luego, regula automáticamente el nivel del agua para lograr un rendimiento óptimo de limpieza y enjuague. Elimina así el cálculo. El nivel del agua es el apropiado para cada tamaño de carga de lavado.

Control automático de temperatura

El control de temperatura automático de esta lavadora detecta y mantiene electrónicamente una temperatura de agua uniforme al regular las temperaturas del agua entrante. El uso del Control de cuidado ayudará a disolver el detergente.

Depósitos

Los depósitos realzan la calidad automática de su lavadora. No es necesario que usted regrese en el transcurso del lavado para agregar detergente, blanqueador o suavizante de telas.

Los productos de lavandería se incorporan a la carga de ropa en el momento oportuno del ciclo de lavado.

Acción de limpieza del ciclo de tratamiento de manchas (Stain Cycle)

La opción de Ciclo de tratamiento de manchas (Stain Cycle) utiliza la Acción de limpieza con inyección directa para ayudar a asegurar que se quiten mejor la suciedad y las manchas. El ciclo de tratamiento de manchas (Stain Cycle) reduce la necesidad de un tratamiento previo. El agua corre por el depósito para disolver el detergente. Luego, la mezcla de detergente es rociada sobre la carga mientras que la lavadora gira a una velocidad baja. Esta acción de limpieza durará hasta 10 minutos dependiendo del ciclo que haya seleccionado. Luego la lavadora deja de exprimir, se llena con agua hasta el nivel correspondiente y continúa lavando con el ciclo seleccionado.

Características

Su nueva lavadora incluye estas características que le ayudan a reducir el ruido, facilitar más el uso y mejorar el rendimiento de lavado.

Controles electrónicos

Los controles electrónicos con ciclos prefijados son fáciles de usar tanto sea usted principiante o “experto”.

Funcionamiento silencioso

Esta lavadora está aislada con materiales aislantes que reducen tanto los sonidos como los ruidos durante el funcionamiento de la lavadora. En algunos modelos se ha agregado un envoltorio adicional en la tina para un aislamiento superior de vibraciones y sonidos. La lavadora tiene una almohadilla inferior acústica adicional, que está incluida por separado, para ser instalada por el cliente.

Sistema de suspensión

Para reducir los problemas de la “caminata” y el “desequilibrio” de la lavadora, su nueva lavadora cuenta con:

- 4 amortiguadores de resorte para aislar las vibraciones
- Aro de balance en la parte superior e inferior de la canasta de la lavadora para reducir la vibración al mínimo
- Software de funcionamiento diseñado para detectar y corregir las cargas que están desequilibradas

Canasta de acero inoxidable

La canasta de acero inoxidable es resistente a la corrosión y permite velocidades más altas de exprimido que las lavadoras tradicionales, logrando mayor extracción del agua, que a su vez reduce el tiempo de secado.

Tapa de vidrio templado transparente con bisagra de tapa de sujeción firme (en algunos modelos)

Algunos modelos incluyen una tapa de vidrio transparente. Fabricada con vidrio templado inastillable, permite ver la acción de lavado profunda de la carga de lavado dentro de la lavadora. La tapa grande con la bisagra de sujeción firme es suficientemente flexible para abrirse completa y convenientemente y no se caerá ni golpeará bruscamente.

Sistema de lavado/enjuague con filtro de fuerza

Esta lavadora filtra 100% del agua de lavado y enjuague. El agua es filtrada y luego vuelve a circular. El filtro de fuerza atrapa la arena y la suciedad y las elimina a través del desagüe para que no vuelvan a depositarse en las prendas limpias.

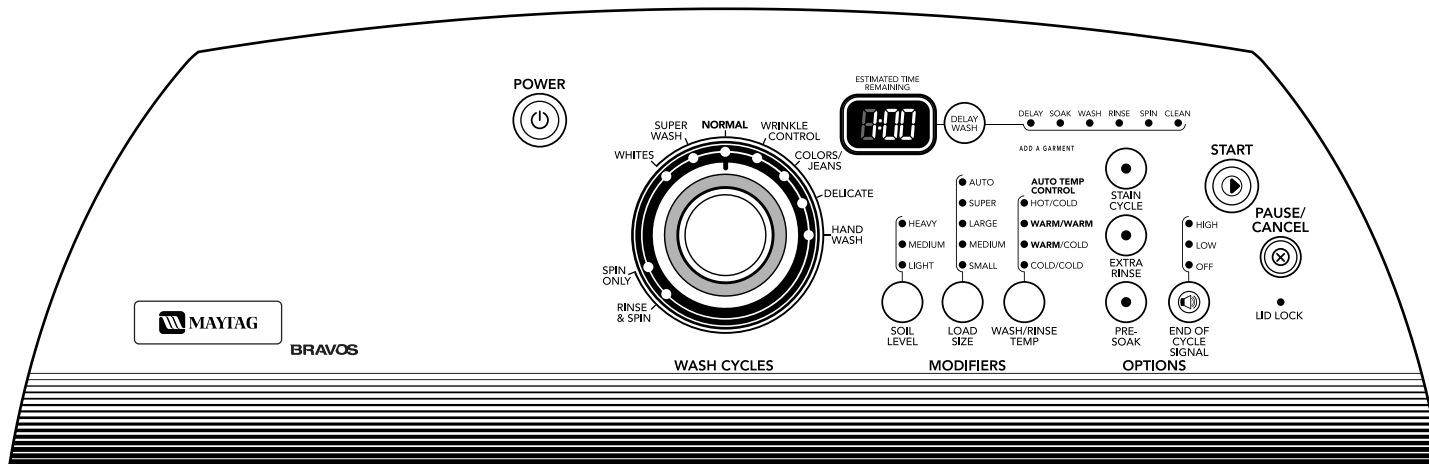
Lavado con retraso (en algunos modelos) (Delay Wash)

El lavado con retraso le permite cargar la lavadora y hacer una pausa al comienzo del ciclo por hasta 8 horas.

Señal de fin de ciclo

La señal de fin de ciclo emite un sonido audible una vez que el ciclo de lavado ha terminado. Esta señal es útil cuando tiene que quitar artículos de la lavadora tan pronto como ésta se detenga.

USO DE LA LAVADORA



NOTA: El modelo de su lavadora puede diferir del que se muestra.

Puesta en marcha de la lavadora

⚠ ADVERTENCIA

Peligro de Incendio

Nunca coloque en la lavadora artículos que estén humedecidos con gasolina o cualquier otro líquido inflamable.

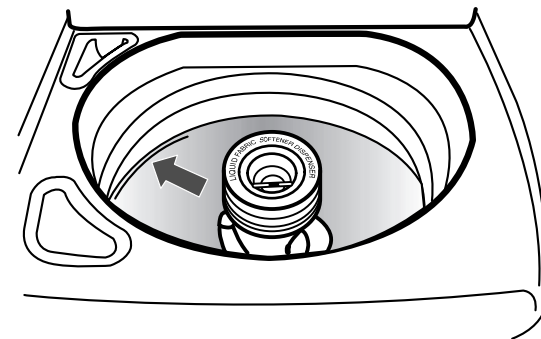
Ninguna lavadora puede eliminar completamente el aceite.

No seque ningún artículo que haya tenido alguna vez cualquier tipo de aceite (incluyendo aceites de cocina).

No seguir estas instrucciones puede ocasionar la muerte, explosión o incendio.

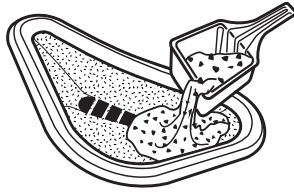
La siguiente es una guía para poner su lavadora en marcha. Las consultas periódicas a otras secciones de este manual le proporcionarán información más detallada.

1. Coloque una carga de ropa seleccionada en la lavadora. Vea “Consejos de lavandería”.
 - Coloque las prendas de manera uniforme para mantener el equilibrio de la lavadora. Mezcle artículos grandes con artículos pequeños.
 - Cargue solamente hasta la parte superior de la canasta, como se muestra. El sobrecargar la lavadora puede causar una limpieza insatisfactoria. Las prendas deben moverse con facilidad en el agua de lavado.

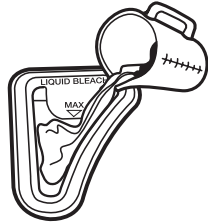


ADVERTENCIA: A fin de reducir el riesgo de incendio, de choque eléctrico o de daños personales, lea las INSTRUCCIONES IMPORTANTES DE SEGURIDAD antes de operar este aparato.

2. Vierta una medida de detergente en polvo o líquido en el depósito del detergente. No ponga detergente directamente en la tina de lavadero o sobre las prendas en la lavadora.



3. Agregue el blanqueador no decolorante (en polvo o líquido) en este depósito, si fuera necesario. Asegúrese de combinar el blanqueador en polvo no decolorante con el detergente en polvo, o de combinar el blanqueador líquido no decolorante con el detergente líquido.
4. Si lo necesita, vierta el blanqueador líquido con cloro medido en el depósito del blanqueador líquido con cloro. El blanqueador se diluirá automáticamente y se distribuirá en el momento apropiado durante el ciclo de lavado.

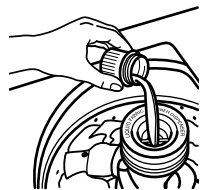


- No sobrellene. No lo diluya. No use más de 1 taza (250 mL) para una carga completa. Use menos con una carga de menor tamaño.
- Siga las instrucciones del fabricante de las prendas y del blanqueador con cloro para el uso adecuado del mismo.
- Use una taza con un pico vertedor para evitar derrames. No deje que el blanqueador salpique, gotee, o se corra dentro de la canasta de la lavadora.
- Al final del ciclo, puede quedar una pequeña cantidad de agua en el depósito. Esto es normal.

NOTA: Use solamente blanqueador líquido con cloro en este depósito.

5. Si lo desea, vierta el suavizante de telas líquido en el depósito del suavizante de telas líquido.

IMPORTANTE: Diluya todo el suavizante de telas en agua hasta alcanzar un total de ½ taza (118 mL).



- No sobrellene. El despachador puede contener ½ taza (118 mL).
- No derrame ni gotee el suavizante de telas sobre las prendas.

NOTAS:

- Use solamente suavizante de telas líquido en este depósito.
 - No use bolas que distribuyen suavizante de telas en esta lavadora. Las bolas que distribuyen suavizante de telas no funcionan correctamente en esta lavadora.
6. Cierre la tapa de la lavadora.
7. Presione Encendido (POWER). Así se enciende la pantalla de la lavadora.
8. Seleccione un Ciclo de lavado (Wash Cycle). Vea “Ciclos”.
9. Ajuste los modificadores, si lo desea. Vea “Modificadores”.
10. Seleccione las opciones deseadas. Vea “Opciones”.
11. En algunos modelos, seleccione Lavado con retraso (Delay Wash), si lo desea. Vea “Lavado con retraso” en la sección “Modificadores”.
12. Presione Inicio (START). Comienza el ciclo de lavado y la pantalla muestra el tiempo estimado restante. La tapa se bloqueará.

NOTA: Si usted no oprime Inicio dentro de los 5 minutos de haber oprimido Encendido, la lavadora se apaga automáticamente.

Pausa o reanudación de la marcha de la lavadora

Agregado de prendas

Puede colocar prendas adicionales en la lavadora cuando se encienda la luz de estado de agregado de prendas (Add a Garment) sin sacrificar el rendimiento del lavado.

Para agregar una prenda o hacer una pausa en el lavado en cualquier momento

1. Oprima Pausa/Anulación (PAUSE/CANCEL) una vez.
2. Espere hasta que la luz de tapa bloqueada (Lid Lock) se apague, luego abra la tapa.
3. Agregue prendas.

Para reanudar la marcha de la lavadora

1. Cierre la tapa y presione Inicio (START).
2. Para destrabar la tapa después del período de agregar prendas, presione Pausa/Anulación (PAUSE/CANCEL) una vez. Si presiona Pausa/Anulación (PAUSE/CANCEL) dos veces, se cancelará el ciclo de lavado.

Cómo detener la lavadora

Puede detener el ciclo de lavado y desaguar la tina presionando el botón de Pausa/Anulación dos veces o el botón de Encendido (Power) una vez.

Cambio de ciclos, modificadores y opciones

Usted puede cambiar los ciclos, modificadores y opciones en cualquier momento antes de presionar Inicio (START). No todos los modificadores y opciones están disponibles con todos los ciclos.

- Al seleccionar un cambio se escucha un tono audible corto.
- Al seleccionar una combinación no disponible se escucharán tres tonos audibles cortos. No se aceptará la última selección.

Cambio de ciclos después de presionar Inicio

1. Oprima Pausa/Anulación (PAUSE/CANCEL) dos veces para anular el ciclo. La lavadora se desaguará.
2. Presione Encendido (POWER).
3. Seleccione el ciclo de lavado deseado.
4. Seleccione los modificadores y opciones deseados.
5. Presione Inicio (START).

La lavadora vuelve a ponerse en marcha al comienzo del nuevo ciclo.

NOTA: Si usted no oprime Inicio dentro de los 5 minutos de haber hecho una pausa en la lavadora, ésta se apaga automáticamente.

Cambio de modificadores y opciones después de presionar Inicio

Usted puede cambiar un modificador o una opción en cualquier momento antes de que el modificador o la opción comience eligiendo los modificadores y/u opciones que desee.

NOTA: Se escuchará un tono de error si su selección no está disponible.

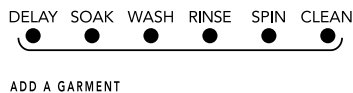
Para desaguar la lavadora manualmente y exprimir la carga

1. Oprima Pausa/Anulación (PAUSE/CANCEL) dos veces para anular el ciclo de lavado y el desagüe de la lavadora.
2. Presione Encendido (POWER).
3. Gire la perilla para seleccionar Desagüe y exprimido (DRAIN & SPIN).
4. Presione Inicio (START).

Al cabo del exprimido, la tapa se destraba. Se puede descargar la lavadora.

Luces de estado

Estas luces muestran en qué porción del ciclo está funcionando la lavadora. También indican cuando puede agregar otras prendas a la carga de lavado.



Luces indicadoras

Una luz indicadora muestra el ciclo, modificadores y opciones que ha seleccionado.

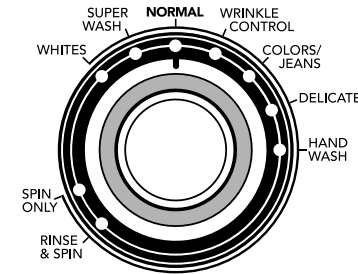
Tiempo estimado restante

Cuando comienza un ciclo de lavado, aparecerá en la pantalla el tiempo estimado restante para el ciclo, incluyendo llenados y desagües. Aparecerá la cuenta regresiva hasta el final del ciclo.



Ciclos

Gire la perilla para elegir el ciclo de lavado adecuado para el tipo de telas que va a lavar. Cuando la perilla apunta a un ciclo, la luz indicadora para el ciclo se iluminará. Si los ajustes prefijados para los modificadores y opciones son adecuados para la carga de lavado, puede presionar Inicio (Start) para comenzar el ciclo de lavado.



Ajustes prefijados de ciclos

Para facilitar el uso, los ajustes de ciclos prefijados proveen los ajustes de cuidado de la tela recomendados para cada ciclo.

Para usar los ajustes programados:

1. Presione Encendido (POWER).
2. Seleccione el ciclo que desee girando la perilla. Aparecerán en la pantalla los ajustes prefijados del ciclo (vea el cuadro siguiente).
NOTA: Los tiempos prefijados de ciclos pueden variar levemente según el modelo.
3. Presione Inicio (START). Comenzará el ciclo de lavado.

Ajustes prefijados de ciclos

| Ciclo | Minutos Prefijados | Nivel de suciedad* | Temperatura de lavado/enjuague |
|--|--------------------|--------------------|--------------------------------|
| Blancos (Whites) | 73 | Pesado | Caliente/Fría (Hot/Cold) |
| Intenso (Super Wash) | 68 | Pesado | Caliente/Fría (Hot/Cold) |
| Normal | 46 | Normal | Tibia/Fría (Warm/Cold) |
| Informal/Planchado permanente (Wrinkle Control) | 46 | Mediano | Tibia/Fría (Warm/Cold) |
| Prendas de colores/oscuras (Colors/Jeans) | 45 | Normal | Fría/Fría (Cold/Cold) |
| Ropa delicada (Delicate) | 35 | Mediano | Tibia/Fría (Warm/Cold) |
| Lavado a mano (Handwash) | 36 | Ligero | Fría/Fría (Cold/Cold) |
| Enjuague y exprimido (Rinse & Spin) | 33 | No es aplicable | No es aplicable |
| Exprimido (Spin Only) | 16 | No es aplicable | No es aplicable |

*El tiempo del ciclo aparecerá en minutos en la pantalla mientras usted realiza las selecciones. Una vez que se presiona Inicio, aparecerá el tiempo total de ciclo, incluyendo el tiempo estimado para el desagüe y llenado.

NOTA: Cargue solamente hasta la parte superior de la canasta. El sobrecargar la lavadora puede causar una limpieza insatisfactoria. Vea "Puesta en marcha de su lavadora".

Blancos (Whites)

En este ciclo se introduce el blanqueador líquido con cloro en la carga en el momento adecuado para el blanqueamiento mejorado de las telas blancas con suciedad profunda. El ciclo combina una acción de lavado a velocidad alta con una velocidad alta de exprimido. La opción prefijada para este ciclo es el segundo enjuague (Extra Rinse) para quitar el detergente y blanqueador a fondo. Para la remoción máxima de la suciedad y las manchas, deberá usarse blanqueador líquido con cloro.

Intenso (Super Wash)

Use este ciclo para cargas pesadas de algodón o con mucha suciedad. El ciclo combina una acción de lavado a velocidad alta con una velocidad alta de exprimido. La opción prefijada para este ciclo es la de tratamiento de manchas (Stain Cycle), pero se puede apagar. Vea "Cambio de ciclos, modificadores y opciones".

Normal

Use este ciclo para prendas de algodón y lino con suciedad normal, tales como sábanas, frazadas y toallas. El ciclo combina una acción de lavado a velocidad media-alta con una velocidad alta de exprimido.

Informal/Planchado permanente (Wrinkle Control)

Use este ciclo para lavar telas inarrugables como camisas deportivas, blusas, ropa de negocios informal, planchado permanente y mezclas. Este ciclo usa una acción de lavado a velocidad media, exprimido a velocidad media y un proceso de enfriamiento de la ropa para reducir la formación de arrugas.

Prendas de colores/de mezclilla (Colors/Jeans)

Use este ciclo para telas naturales oscuras o teñidas, tales como telas de mezclilla u otros artículos de algodón, que puedan ser susceptibles a la pérdida de color. Este ciclo usa una acción de lavado a velocidad baja a media con una velocidad alta de exprimido. Para obtener mejores resultados, use agua fría o tibia.

Ropa delicada (Delicate)

Use este ciclo para lavar prendas con suciedad ligera que indiquen en la etiqueta de cuidado que se use el ciclo "Sedas lavables a máquina" o "Suave". Este ciclo usa una acción de lavado de baja velocidad y velocidades bajas de exprimido para un mayor cuidado de la tela y menos arrugas.

Cuando lave artículos a impermeables, tales como fundas de colchones con revestimiento de plástico, cortinas de baño, lonas o bolsas de dormir a prueba de agua o impermeables, use el ciclo de Ropa delicada (Delicate) o Lavado a mano (Handwash) con el ajuste más bajo de velocidad de exprimido que haya disponible en el modelo de lavadora que usted tenga.

Lavado a mano/Lana (Handwash)

Use este ciclo para limpiar artículos de cuidado especial con suciedad ligera o aquéllos cuya etiqueta indique "Lana lavable a máquina". (Verifique las instrucciones de la etiqueta para asegurarse de que la prenda es lavable.) Este ciclo usa una acción de lavado intermitente de baja velocidad y velocidades bajas de exprimido para un cuidado suave de la tela y menos arrugas.

Cuando lave artículos a prueba de agua, tales como fundas de colchones con revestimiento de plástico, cortinas de baño, lonas o bolsas de dormir a prueba de agua o impermeables, use el ciclo de Ropa delicada (Delicate) o Lavado a mano (Handwash) con el ajuste más bajo de velocidad de exprimido que haya disponible en el modelo de lavadora que usted tenga.

Las prendas llevan la etiqueta "Lavado a mano" porque:

- La construcción de la fibra puede ser sensible a la acción de lavado.
- La fibra contiene tintes sensibles que pueden desteñir.

NOTA: Algunas prendas de "Lavado a mano" encogen naturalmente cuando se lavan. Recuerde esto cuando compre prendas etiquetadas con "Lavado a mano". Las prendas que encogen deben de secarse en posición horizontal. Déles la forma original a estos artículos estirándolos suavemente a sus medidas originales mientras estén húmedos.

Enjuague y exprimido (Rinse & Spin)

Use esta opción para obtener un enjuague profundo seguido de un exprimido a alta velocidad. En el tiempo de la pantalla se incluirá una estimación de cuánto demorará para llenar y desaguar la lavadora.

Cuándo usar el enjuague y exprimido (Rinse & Spin):

- Para cargas que necesitan únicamente enjuague.
- Para completar un ciclo después de que haya habido un corte de corriente.

Para usar o cambiar el ajuste de enjuague y exprimido:

1. Gire la perilla a enjuague y exprimido (RINSE & SPIN) hasta que la luz indicadora de enjuague y exprimido se encienda.
2. Presione Inicio (START).

Exprimido (Spin Only)

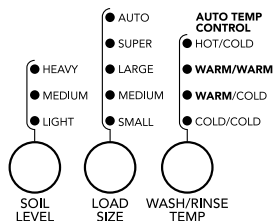
Un desagüe y exprimido adicionales pueden ayudar a acortar los tiempos de secado para algunas telas pesadas o artículos de cuidado especial. También puede usarse el desagüe y exprimido para desaguar la lavadora después de cancelar un ciclo o completar un ciclo después de un corte de corriente.

Para usar o cambiar el ajuste de desagüe y exprimido:

1. Gire la perilla hacia Exprimido (Spin Only) hasta que la luz indicadora se encienda.
2. Presione Inicio (START).

Modificadores

Los modificadores le permiten personalizar aún más sus ciclos y ahorrar energía.



Nivel de suciedad (Soil Level)

El nivel de suciedad (tiempo del ciclo) está prefijado para cada ciclo. Vea “Ajustes prefijados de ciclos” en la sección “Ciclos”. Cuando usted presione el botón de nivel de suciedad (Soil Level), el tiempo del ciclo (en minutos) aumentará o disminuirá en la pantalla de tiempo estimado restante (Estimated Time Remaining) y aparecerá un tiempo de lavado diferente. Para obtener el mínimo tiempo de lavado, presione el botón hasta que la luz indicadora al lado de Nivel de suciedad ligera (Light Soil Level) se ilumine. Este es el tiempo más corto disponible para este ciclo.

- Para la mayoría de las cargas, utilice el tiempo recomendado en los ajustes prefijados de los ciclos.
- Para telas resistentes y con suciedad profunda, oprima Nivel de suciedad para seleccionar más tiempo de lavado, si fuera necesario.
- Para telas delicadas y con poca suciedad, oprima Nivel de suciedad para seleccionar menos tiempo de lavado, si fuera necesario.

Tamaño de carga (Load Size)

Esta lavadora selecciona automáticamente Auto para el nivel de agua cuando se selecciona el ciclo. La característica de Auto (Automático) detecta el tamaño de la carga y agrega la cantidad correcta de agua para el tamaño de la carga. También puede cambiar los ajustes de nivel de agua manualmente.

Temperatura de lavado/enjuague

Seleccione una temperatura de agua basado en el tipo de carga que esté lavando. Use el agua de lavado más caliente que las telas puedan resistir. Siga las instrucciones de la etiqueta de las prendas.

Los enjuagues con agua tibia dejan las cargas más secas y permiten que se las manipule con más comodidad que los enjuagues con agua fría. Sin embargo, los enjuagues con agua tibia también aumentan la formación de arrugas. Los enjuagues con agua fría pueden prevenir la formación de arrugas y ayudan con el ahorro de energía.

Guía de la temperatura

| Temperatura del agua de lavado | Telas sugeridas |
|--------------------------------|--------------------------------------|
| Caliente | Ropa blanca y de color pastel |
| Tibia | Colores brillantes |
| Fría | Colores que destiñen o que se opacan |

NOTA: En temperaturas de agua inferiores a 60°F (15,6°C), los detergentes no se disuelven bien. Además puede resultar difícil quitar la suciedad.

Manejo de la temperatura para el control de cuidado

El manejo de la temperatura para el control de cuidado detecta y mantiene electrónicamente una temperatura de agua de lavado y enjuague uniforme. El control de cuidado regula el agua entrante caliente y fría, y se enciende automáticamente cuando se selecciona un ciclo. (Vea “Ajustes prefijados de ciclos” en la sección “Ciclos”).

El control de cuidado está disponible con los ajustes Tibio/Tibio, Tibio/Frío y Frío/Frío. La temperatura del agua en los ajustes Caliente/Frío (Hot/Cold) depende de la temperatura del agua en los grifos de entrada de agua.

- El control de cuidado asegura una limpieza homogénea.
- Los detergentes actuales funcionan bien a temperaturas por encima de 60°F (15,6°C).

Lavado con retraso (en algunos modelos) (Delay Wash)

Puede usar la característica de Lavado con retraso (Delay Wash) para retrasar el inicio del ciclo de lavado hasta 8 horas (dependiendo del modelo).

1. Cargue la lavadora y llene los depósitos.
2. Cierre la tapa de la lavadora.
3. Presione el botón de Encendido (POWER).
4. Seleccione el ciclo, modificadores y opciones deseados.
5. Presione Lavado con retraso (DELAY WASH). 1H (una hora) aparecerá en la pantalla del tiempo. La luz indicadora para Lavado con retraso (Delay Wash) destellará.



6. Para un tiempo diferido más largo, oprima Lavado con retraso (DELAY WASH). El tiempo de inicio aumentará en períodos de 1 hora.

7. Presione Inicio (START). La cuenta regresiva en horas al ciclo de lavado aparecerá en la pantalla de tiempo y la luz indicadora de Inicio diferido comenzará a destellar.
- NOTA:** La luz indicadora de Inicio (Start) no destellará cuando se elija Lavado con retraso (Delay Wash). Debe presionar Start para iniciar la cuenta regresiva para el comienzo del ciclo.

Para cambiar el tiempo de Lavado con retraso:

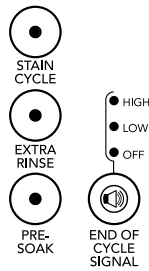
- Presione Pausa/Anulación (PAUSE/CANCEL).
- Oprima DELAY WASH para seleccionar el tiempo diferido deseado.
- Oprima START para comenzar la cuenta regresiva.

Para cancelar Delay Wash:

Oprima START nuevamente para comenzar el ciclo inmediatamente o presione PAUSE/CANCEL dos veces.

Opciones

Utilice estos botones para seleccionar las opciones deseadas para su ciclo de lavado.



Limpieza intensa (Stain Cycle)

Esta opción ofrece una acción de limpieza mejorada para las manchas rebeldes. El ciclo de Lavado intenso incluye la opción de Limpieza intensa automáticamente. Si se selecciona Limpieza intensa, se agregarán 10 minutos aproximadamente a un ciclo. La opción de Limpieza intensa debe comenzar con la carga seca solamente y no puede seleccionarse después de que la tina haya comenzado a llenarse con agua.

La opción de Limpieza intensa puede ser seleccionada como una opción con otros ciclos. Consulte la tabla para más detalles.

| Ciclo | Limpieza intensa (Agrega tiempo al ciclo de lavado) |
|---|--|
| Blancos (Whites) | Opción |
| Intenso (Super Wash) | Prefijado |
| Normal | Opción |
| Informal/Planchado permanente (Wrinkle Control) | Opción |
| Prendas de colores/de mezclilla (Colors/ Jeans) | Opción |
| Ropa delicada (Delicate) | No disponible |

| Ciclo | Limpieza intensa (Agrega tiempo al ciclo de lavado) |
|-------------------------------------|--|
| Lavado a mano (Handwash) | Opción |
| Enjuague y exprimido (Rinse & Spin) | No disponible |
| Exprimido (Spin Only) | No disponible |

Enjuague adicional (Extra Rinse)

Se puede utilizar un enjuague adicional para ayudar en la eliminación de residuos del detergente o del blanqueador que haya quedado en las prendas. Esta opción proporciona un enjuague adicional con la misma temperatura del agua del primer enjuague. Este es un ajuste de enjuague prefijado para el ciclo de Blancos (Whites).

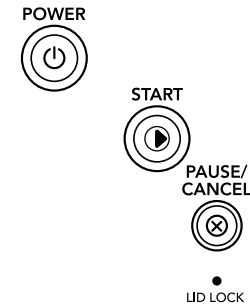
Remojo previo (Pre Soak)

Use esta opción para las manchas y la suciedad rebeldes que necesiten tiempo extra para ser quitadas. El remojo en esta lavadora es diferente al de una lavadora convencional. La lavadora rocía la carga con agua y detergente a una velocidad de exprimido extra baja seguido de un breve período de acción de lavado a la velocidad del ciclo seleccionado. Esta acción se repite. La opción de remojo previo (Pre Soak) alterna entre una serie de acciones de rociado y lavado seguida de una pausa, para permitir que el detergente trabaje en la suciedad. El ciclo seleccionado le sigue a la característica de Remojo previo. El uso del Remojo previo alargará el ciclo de lavado.

Volumen de la señal de fin de ciclo

La señal de fin de ciclo emite un sonido audible una vez que el ciclo de lavado ha terminado. Esta señal es útil cuando tiene que quitar artículos de la lavadora tan pronto como ésta se detenga. Seleccione encendido (On) o apagado (Off).

Controles de funcionamiento



Encendido (Power)

Oprima Encendido para encender o apagar la lavadora.

Inicio (Start)

Oprima Inicio (START) para iniciar la lavadora después de haber seleccionado un ciclo. Asegúrese de que todos los modificadores y opciones deseados han sido seleccionados. La tapa deberá estar cerrada para que la lavadora comience a funcionar.

Pausa/Anulación (PAUSE/CANCEL)

Oprima Pausa/Anulación una vez para hacer una pausa o detener la lavadora en cualquier momento. Oprima Pausa/Anulación una vez para desbloquear la tapa y agregar una prenda. Oprima Inicio para finalizar el ciclo a partir de donde se detuvo. Si presiona Pausa/Anulación dos veces, se cancelará el ciclo de lavado. Luego, la lavadora se desaguará y apagará.

Tapa bloqueada (Lid Lock)

Cuando la luz de estado de tapa bloqueada (Lid Lock) se enciende, la tapa de la lavadora está bloqueada

NOTA: Deberá esperar hasta que se apague la luz de tapa bloqueada (Lid Lock) antes de poder abrir la tapa.

Sonidos normales

Su nueva lavadora puede producir sonidos que su vieja lavadora no hacía. Como se trata de sonidos con los que usted no está familiarizado, es posible que le preocupen. Estos sonidos son normales.

Durante el lavado

Si selecciona el Ciclo de tratamiento de manchas (Stain Cycle), escuchará un ruido de exprimido/rociado al comienzo del ciclo.

Durante el desagüe

Si se vacía el agua de la lavadora con rapidez (según su instalación), es posible que escuche la succión de aire que pasa por la bomba durante la etapa final del desagüe.

Durante el lavado y exprimido

Esta lavadora no tiene una transmisión. El motor suministra un accionamiento directo para la agitación y el exprimido. Escuchará sonidos que son diferentes a los de una lavadora convencional.

CONSEJOS DE LAVANDERÍA

Preparación de la ropa para lavar

Siga estas recomendaciones para ayudarle a prolongar la vida de sus prendas de vestir.

- Cierre los zípers, broches de presión y corchetes para evitar que enganchen otros artículos. Quite alfileres, hebillas y demás objetos duros para evitar que rayen el interior de la lavadora. Quite todo adorno y ornamento que no sea lavable.
- Vacíe los bolsillos y vuélvalos al revés.
- Doble los puños y limpie con un cepillo la pelusa y la suciedad.
- Vuelva al revés las prendas de tejido sintético para evitar que se llenen de pelusas.
- Ate los cordones y fajas de modo que no se enreden.
- Remiende lo que esté roto así como las costuras y dobladillos flojos.
- Trate las manchas y suciedades.
- Las prendas manchadas o mojadas deberán lavarse con prontitud para obtener mejores resultados.

Selección de la ropa

- Separe las prendas con suciedad profunda de las que están ligeramente sucias, aún cuando éstas normalmente se lavarían juntas. Separe las prendas que sueltan pelusa (toallas, felpilla) de las que atraen pelusa (pana, artículos sintéticos y de planchado permanente). Siempre que sea posible, vuelva al revés la ropa que suelta pelusa.
- Separe los colores oscuros de los colores claros, los artículos no desteñibles de los que sí lo son.
- Separe por tipo de tela y estructura (prendas fuertes de algodón, tejidos de punto y prendas finas).
- Cuando lave artículos a prueba de agua, tales como fundas de colchones con revestimiento de plástico, cortinas de baño, lonas o bolsas de dormir a prueba de agua o impermeables, use el ciclo de Ropa delicada (Delicate) o Lavado a mano (Handwash) con el ajuste más bajo de velocidad de exprimido que haya disponible en el modelo de lavadora que usted tenga.

Cómo descargar

- Saque la ropa de la lavadora después de que se haya completado el ciclo. Los objetos metálicos como cierres, broches a presión y hebillas pueden herrumbrarse si se dejan en la canasta de la lavadora por largo tiempo.

CUIDADO DE LA LAVADORA

Cómo limpiar su lavadora

Use un paño o una esponja suave y húmeda para limpiar cualquier derrame, tales como los de detergente o blanqueador, de la parte exterior de su lavadora.

Limpie el interior de su lavadora mezclando 1 taza (250 mL) de blanqueador con cloro y 2 tazas (500 mL) de detergente. Vierta esta mezcla en su lavadora y deje funcionar su lavadora durante un ciclo completo, utilizando agua caliente. Repita este proceso si fuera necesario.

Quite los depósitos endurecidos de agua usando solamente productos de limpieza cuya etiqueta indica que pueden emplearse en lavadoras.

Limpieza del depósito del suavizante líquido de telas:

1. Para quitar el depósito del suavizante de telas del agitador, coloque las manos detrás de la parte superior del depósito y entrelace los dedos. Levante jalando hacia usted.
2. Separe la parte superior y la base del depósito. Enjuague las tres piezas del depósito (la base, la taza interna en forma de cono y la parte superior) con agua tibia.
3. Para facilitar el ensamblaje, vuelva a ensamblar el depósito con las piezas al revés.

IMPORTANTE: Asegúrese de que la taza interior con forma de cono esté derecha y ubicada completamente en la parte superior del depósito antes de instalar la base.

NOTA: Para evitar daños en la lavadora o en las prendas, no lave la ropa si ha quitado el depósito de suavizante líquido de telas, ni agregue detergente o blanqueador en este depósito ya que es para uso exclusivo del suavizante líquido de telas.

Mangueras de entrada de agua

Reemplace las mangueras de entrada después de 5 años de uso para reducir el riesgo de que fallen. Revise periódicamente y cambie las mangueras de entrada si se hallan protuberancias, torceduras, cortes, desgaste o pérdidas de agua.

Cuando reemplace sus mangueras de entrada de agua, anote la fecha de reposición en la etiqueta con un marcador permanente.

Cuidado durante las vacaciones, el almacenamiento y las mudanzas

Instale y guarde su lavadora en un lugar donde no se congele. Debido a que queda un poco de agua en las mangueras, el congelamiento de la misma podría dañar su lavadora. Si va a guardar o trasladar su lavadora durante una temporada de invierno riguroso, acondiciónela para el invierno.

Cuidado durante las vacaciones y períodos sin uso:

Ponga a funcionar su lavadora únicamente cuando esté en casa. Si va a salir de vacaciones o no va a usar la lavadora durante un período prolongado de tiempo usted debe:

- Desenchufar la lavadora o desconectar el suministro de energía.
- Interrumpir el suministro de agua a la lavadora. Esto ayuda a evitar inundaciones accidentales (debido a aumentos en la presión del agua) en ausencia suya.

Para acondicionar la lavadora para el invierno:

1. Cierre ambos grifos de agua.
2. Desconecte y elimine el agua de las mangueras de admisión de agua.
3. Vierta un cuarto (1 L) de anticongelante tipo R.V. en la canasta.
4. Ponga a funcionar la lavadora en el ajuste de Enjuague y Exprimido (Rinse & Spin) por unos 30 segundos para mezclar el anticongelante y el agua restante.
5. Desenchufe la lavadora o desconecte el suministro de energía.

Para volver a usar la lavadora:

1. Deje correr el agua por los tubos y las mangueras. Vuelva a conectar las mangueras de entrada de agua. Abra ambos grifos de agua.

⚠ ADVERTENCIA



Peligro de Choque Eléctrico

Conecte a un contacto de pared de conexión a tierra de 3 terminales.

No quite la terminal de conexión a tierra.

No use un adaptador.

No use un cable eléctrico de extensión.

No seguir estas instrucciones puede ocasionar la muerte, incendio o choque eléctrico.

2. Enchufe la lavadora o reconecte el suministro de energía.
3. Ponga a funcionar la lavadora con cualquier ciclo y un nivel de agua de tamaño de carga super para limpiarla y quitar el anticongelante, de haberlo usado. Use ½ de la cantidad recomendada por el fabricante para una carga de tamaño mediano.

Para transportar la lavadora:

1. Cierre ambos grifos de agua.
2. Desconecte y elimine el agua de las mangueras de admisión de agua.
3. Si va a mover la lavadora durante una temporada de invierno riguroso, coloque 1 cuarto (1 L) de anticongelante tipo R.V. en la canasta. Ponga a funcionar la lavadora en el ajuste de Enjuague y Exprimido (Rinse & Spin) por unos 30 segundos para mezclar el anticongelante y el agua restante.
4. Desconecte y elimine el agua del sistema de drenaje.
5. Desenchufe el cable eléctrico.
6. Coloque las mangueras de admisión en la canasta.

7. Cuelgue el cable eléctrico y la manguera de desagüe sobre el borde y hacia adentro de la canasta.
8. Coloque el anillo de embalaje de espuma de los materiales de empaque originales en la parte superior de la lavadora. Si no cuenta con el anillo de empaque de espuma original, coloque sábanas gruesas, toallas, etc. en la abertura de la canasta. Cierre la tapa y ponga un trozo de cinta sobre la tapa y hacia el frente de la lavadora.

Para volver a instalar la lavadora

1. Siga las "Instrucciones de instalación" para ubicar, nivelar y conectar la lavadora.
2. Ponga a funcionar la lavadora con cualquier ciclo y un nivel de agua de tamaño de carga super para limpiarla y quitar el anticongelante, de haberlo usado. Use ½ de la cantidad recomendada por el fabricante para una carga de tamaño mediano.

SOLUCIÓN DE PROBLEMAS

En primer lugar, pruebe las soluciones sugeridas aquí y posiblemente se evite el gasto de una llamada de servicio técnico...

Lavadora y componentes

La lavadora muestra mensajes codificados

■ LF "LF" (La lavadora tarda demasiado en llenarse)

Verifique lo siguiente:

- ¿Están retorcidas u obstruidas las mangueras de entrada del agua?
- ¿Están despejados los filtros de la válvula de entrada del agua?
- Presione Pausa/Anulación (PAUSE/CANCEL) para despejar la pantalla.
- ¿Se ha instalado debidamente la manguera de desagüe? Vea "Conexión de la manguera de desagüe".

■ Ld "Ld" (La lavadora tarda demasiado para desaguar el agua de la tina de lavado)

Verifique lo siguiente:

- ¿Está retorcida u obstruida la manguera de desagüe?
- ¿Se ha instalado debidamente la manguera de desagüe? Vea "Conexión de la manguera de desagüe". Presione Pausa/Anulación (PAUSE/CANCEL) para despejar la pantalla.

■ uL "uL" (Carga desequilibrada)

Si la carga está desequilibrada, la lavadora mostrará este código mientras pone en funcionamiento una rutina de corrección de carga desequilibrada al final del ciclo de lavado y antes del exprimido final. Si el código permanece y el cuadrante del ciclo de lavado está destellando después de que haya finalizado la rutina de recuperación, abra la tapa y redistribuya la carga. Cierre la tapa y presione Inicio (START).

■ oL "oL" (Sobrecarga)

¿Está sobrecargada la lavadora? La lavadora ha intentado llenarse y comenzar el ciclo de lavado. Si la lavadora está sobrecargada, drenará el agua y el detergente que se haya agregado durante el llenado. Para corregir la sobrecarga, quite varios artículos y agregue detergente. Cierre la tapa y presione Inicio (START).

■ Sd "Sd" (Espuma detectada) ¿Agregó demasiado detergente?

Siempre mida el detergente. Siga las indicaciones del fabricante del detergente.

Si se detecta la presencia de exceso de espuma, la lavadora mostrará este código mientras pone en funcionamiento una rutina de corrección para reducir la espuma al final del ciclo de lavado. La rutina de reducción de espuma quita la espuma excedente y asegura el enjuague apropiado de sus prendas. Si el código permanece y el cuadrante del ciclo de lavado está destellando después de que haya finalizado la rutina de recuperación, vuelva a seleccionar el ciclo deseado utilizando agua fría. Presione Inicio (START). No agregue detergente.

■ lid "lid" (Tapa abierta)

¿Está abierta la tapa? Cierre la tapa para despejar la pantalla.

■ HC "HC" (Se invirtieron las mangueras de agua caliente y de agua fría)

Este código aparece al final del ciclo de lavado para indicar que las mangueras de entrada de agua fría y de agua caliente están invertidas. Si no aparece un código de error pero está experimentando un rendimiento insatisfactorio del lavado, fíjese si están invertidas las mangueras de entrada. Vea "Conexión de las mangueras de entrada".

■ dL "dL" (La puerta/tapa no puede trabarse)

Indica que la tapa no está trabada. Controle si hay prendas trabadas en la tapa que impiden que ésta cierre. Oprima Pausa/Anulación (PAUSE/CANCEL) una vez para despejar el código.

■ dU "dU" (La puerta/tapa no se puede destrabar)

¿Hay peso excesivo en la tapa, como ser una canasta de ropa para lavar? El peso excesivo evitará que la tapa se destrabe. Oprima Pausa/Anulación (PAUSE/CANCEL) una vez para despejar el código.

■ F_ _ Código "F##"

Oprima Pausa/Anulación (PAUSE/CANCEL) una vez para despejar el código. Presione Inicio (START). Si el código aparece nuevamente, llame al servicio técnico.

Ruidosos, vibrantes, desequilibrados

- **¿Está nivelada la lavadora? ¿La lavadora se balancea al empujarla contra las esquinas?**
La lavadora debe estar nivelada. Las patas frontales y posteriores deben estar firmemente apoyadas en el piso. Verifique que las contratueras estén ajustadas. Vea “Nivelación de la lavadora”.
- **¿El piso está combado, doblado o desnivelado?**
Un piso que está combado o desnivelado puede contribuir a que la lavadora haga ruido y vibre. Los sonidos se pueden reducir colocando una madera laminada de ¾" (1,9 cm) debajo de la lavadora. Vea “Requisitos de ubicación”.
- **¿Está la carga equilibrada?**
Distribuya la carga uniformemente en la canasta de la lavadora y asegúrese de que la altura de la carga no supere la línea superior de orificios de la canasta. Vea “Puesta en marcha de la lavadora”.
- **¿Escucha chasquidos u otros ruidos cuando el ciclo cambia de lavado a desagüe o exprimido?**
Cuando la caja de engranajes cambia de velocidad o la canasta de la lavadora se detiene entre ciclos es posible que escuche ruidos distintos de los de su lavadora anterior. Estos ruidos de la lavadora son normales.
- **¿La lavadora produce un gorgoteo o zumbido?**
Cuando la lavadora desagua, la bomba generará un zumbido continuo con sonidos de gorgoteo periódicos a medida que se quitan las últimas cantidades de agua. Esto es normal.
- **¿Está lavando una carga pequeña?**
Se escucharán más sonidos de salpicado cuando lave cargas pequeñas. Esto es normal.
- **La canasta de la lavadora se mueve durante el lavado.**
Esto es normal.

La lavadora pierde agua

- **¿Están ajustadas las mangueras de llenado?**
- **¿Están debidamente colocadas las arandelas de las mangueras de llenado?**
Controle ambos extremos de cada manguera. Vea “Conexión de las mangueras de entrada”.
- **¿Ha jalado la manguera de desagüe del gabinete de la lavadora y la ha instalado en un tubo vertical o un lavadero?**
Se debe jalar la manguera de desagüe del gabinete de la lavadora y asegurarla a un tubo de desagüe o lavadero. Vea “Conecte la manguera de desagüe” y “Fijación de la manguera de desagüe”.

- **¿Está obstruido el lavadero o el desagüe?**
El lavadero y el tubo de desagüe deberán tener la capacidad de desplazar 17 gal. (64 L) de agua por minuto. Si el lavadero o el tubo de desagüe están obstruidos o lentos, el agua puede subir y salir por el tubo de desagüe o el lavadero.
- **¿Está salpicando el agua fuera del aro del tambor o de la carga?**
La carga de lavado deberá estar equilibrada y no sobrecargada. Si la carga de lavado está desequilibrada o sobrecargada, el agua de entrada puede desviarse de la carga.
- **¿Está la lavadora instalada adecuadamente?**
La lavadora debe estar nivelada. Las patas deben estar debidamente instaladas y las tuercas ajustadas. Vea “Nivelación de la lavadora”.
- **¿Se ha interrumpido el ciclo y luego se seleccionó la opción de Limpieza intensa?**
La opción de Limpieza intensa (Stain Cycle) debe iniciarse solamente en una carga seca. No puede seleccionarse la opción de Limpieza intensa después de que la tina se haya empezado a llenar de agua.
- **Revise la plomería de la casa (tinajas de lavadero, grifos, tubo de desagüe, tuberías de agua) y fíjese si hay fugas de agua.**

Funcionamiento del depósito

- **¿Se han colocado los productos de lavandería en los depósitos apropiados?**
Agregue las cantidades adecuadas de detergente (en polvo o líquido), blanqueador líquido con cloro o suavizante de telas al depósito apropiado. Puede agregar blanqueador en polvo o blanqueador líquido no decolorante en el depósito de detergente. Asegúrese de combinar el blanqueador en polvo no decolorante con el detergente en polvo o de combinar el blanqueador líquido no decolorante con el detergente líquido. Use solamente blanqueador con cloro líquido en el depósito para el blanqueador.
- **¿Queda agua en el fondo del depósito? ¿Se ha desaguado debidamente el depósito?**
Al final del ciclo, puede quedar una pequeña cantidad de agua en el depósito. Esto es normal.
- **¿Ha puesto blanqueador en polvo o blanqueador no decolorante líquido en el depósito del blanqueador líquido con cloro (en algunos modelos)?**
Agregue el blanqueador en polvo o blanqueador líquido no decolorante directamente en la canasta de la lavadora. No use el depósito del blanqueador líquido con cloro para el blanqueador no decolorante.
- **¿Está el depósito del suavizante de telas obstruido?**
Limpie el depósito del suavizante de telas. Vea “Cuidado de la lavadora”.

Funcionamiento de la lavadora

⚠ ADVERTENCIA



Peligro de Choque Eléctrico

Conecte a un contacto de pared de conexión a tierra de 3 terminales.

No quite la terminal de conexión a tierra.

No use un adaptador.

No use un cable eléctrico de extensión.

No seguir estas instrucciones puede ocasionar la muerte, incendio o choque eléctrico.

La lavadora no se llena, ni enjuaga ni agita; la lavadora se detiene

- **¿Está el cable eléctrico enchufado en un tomacorriente de 3 terminales con conexión a tierra?**
Conecte a un contacto de pared de conexión a tierra de 3 terminales.
- **¿Está usando un cable eléctrico de extensión?**
No use un cable eléctrico de extensión.
- **¿Hay corriente en el enchufe?**
Revise la fuente de electricidad o llame a un electricista.
- **¿Está el indicador de la perilla del control de ciclos debidamente alineado con un ciclo?**
Gire la perilla de control de ciclos ligeramente a la derecha.
- **¿Están obstruidos los filtros de la válvula de entrada del agua?**
Cierre el agua y quite las mangueras de entrada de la lavadora. Saque cualquier película o partículas que se hayan acumulado. Vuelva a instalar las mangueras, abra el agua y revise si hay fugas de agua.
- **¿Están abiertas las llaves del agua caliente y del agua fría?**
Abra el agua.
- **¿Está retorcida la manguera de entrada del agua?**
Enderece las mangueras.
- **¿Parece que el nivel del agua está demasiado bajo, o parece que la lavadora no se llena por completo?**
La característica de Nivel automático de agua detecta el tamaño de la carga y agrega la cantidad correcta de agua para el tamaño de la carga. Puede seleccionarse un nivel de agua diferente, presionando Tamaño de carga (LOAD SIZE).

- **¿Está usando el nivel de agua automático (Auto)?**
La característica de Auto (Automático) detecta el tamaño de la carga y agrega la cantidad correcta de agua para el tamaño de la carga.
- **¿Hay un fusible de la casa fundido o se disparó el cortacircuitos?**
Reemplace el fusible o reposicione el cortacircuitos. Si el problema continúa, llame a un electricista.
- **¿Está la lavadora en una pausa normal en el ciclo?**
La lavadora puede hacer una pausa durante ciertos ciclos. Deje continuar el ciclo.
- **¿Está sobrecargada la lavadora?**
Lave cargas más pequeñas. Vea “Puesta en marcha de su lavadora” para informarse sobre el tamaño máximo de carga.
- **¿Hay exceso de espuma?**
Cancele el ciclo actual. Oprima Desagüe y exprimido (SPIN ONLY) para escurrir la carga. Vuelva a seleccionar el ciclo deseado y presione START. No agregue detergente. Emplee agua fría.
- **¿Está abierta la tapa?**
La tapa debe estar cerrada durante el funcionamiento. La lavadora no funcionará con la tapa abierta.
- **¿Agregó más prendas a la carga una vez que puso en funcionamiento la lavadora?**
Una vez que la carga está mojada, puede parecer que hay lugar para más prendas. No agregue más de 1 ó 2 prendas una vez que se inició el ciclo. Para óptimos resultados determine el tamaño de la carga con prendas secas solamente.

La lavadora continúa llenando o desagando, o el ciclo parece estar atascado

- **¿Está la parte superior de la manguera de desagüe más baja que las perillas de control en la lavadora?**
La parte superior de la manguera de desagüe debe estar a una altura mínima de 39” (99 cm) sobre el piso. Vea “Sistema de desagüe”.
- **¿La manguera de desagüe encaja de manera forzada en el tubo vertical o está adherida con cinta al tubo vertical?**
La manguera de desagüe debe estar floja pero debe encajar bien. No selle la manguera de desagüe con cinta adhesiva. La manguera necesita una abertura para el flujo de aire. Vea “Instrucciones de instalación”.

La lavadora no desagua ni exprime; el agua queda en la lavadora

- **¿Está obstruida la manguera de desagüe, o el extremo de la manguera de desagüe está a más de 96" (244 cm) por encima del piso?**
Vea “Sistema de desagüe”.
- **¿Está abierta la tapa?**
La tapa debe estar cerrada durante el funcionamiento. La lavadora no funcionará con la tapa abierta.

Temperatura de Lavado/Enjuague

- **¿Se han invertido las mangueras de entrada del agua caliente y del agua fría?**
Si se invierten las mangueras de entrada de agua caliente y de agua fría, un código de error "HC" aparecerá en la pantalla de la lavadora al final del ciclo. Si no aparece un código de error pero está experimentando un rendimiento insatisfactorio del lavado, fíjese si están invertidas las mangueras de entrada. Vea "Conexión de las mangueras de entrada".
- **¿Está lavando muchas cargas?**
A medida que aumente la frecuencia de lavado de las cargas, es posible que disminuya la temperatura para las selecciones de temperatura de agua caliente y tibia. Esto es normal.
- **¿Tiene usted una lavadora calificada con ENERGY STAR®?**
Las temperaturas del agua de lavado pueden parecer más frías que las de su lavadora anterior. Esto es normal.
- **¿La temperatura del agua de lavado parece más fría que de costumbre?**
A medida que el lavado progresa, la temperatura de lavado disminuirá ligeramente en lavados con agua caliente y tibia. Esto es normal.

Para reducir las arrugas, el enjuague con agua tibia ha sido regulado para que sea más frío que el lavado con agua tibia.

Exceso de espuma

- **¿Hay demasiada espuma?**
Siempre mida el detergente. Siga las indicaciones del fabricante del detergente. Si tiene agua muy blanda, quizás necesite menos detergente.
- **¿Se ha interrumpido el ciclo y luego se seleccionó la opción de Limpieza intensa?**
La opción de Limpieza intensa (Stain Cycle) debe iniciarse solamente en una carga seca. No puede seleccionarse la opción de Limpieza intensa después de que la tina se haya empezado a llenar de agua.

El ciclo no puso en marcha la opción de Limpieza intensa

- **¿Seleccionó la opción de Limpieza intensa?**
Se debe seleccionar la opción de Limpieza intensa para que quede incluida en un ciclo de lavado. La opción de Limpieza intensa (Stain Cycle) debe iniciarse solamente en una carga seca. No puede seleccionarse la opción de Limpieza intensa después de que la tina se haya empezado a llenar de agua.
- La opción de Limpieza intensa es un opción por defecto en el ciclo de Lavado intenso (Super Wash) y puede ser agregada a otros ciclos.

Cuidado de la ropa

Ropa demasiado mojada

- **¿Ha empleado el ciclo correcto para la carga que está lavando?**
Seleccione un ciclo con una velocidad de exprimido más rápida.
- **¿Ha usado un enjuague con agua fría?**
Los enjuagues con agua fría dejan las cargas más mojadas que los enjuagues con agua tibia. Esto es normal.
- **¿Ha lavado una carga muy grande?**
Una gran carga desequilibrada puede derivar en una menor velocidad de exprimido y ropa húmeda al final del ciclo. Distribuya la carga uniformemente y asegúrese de que la altura de la carga no supere la línea superior de orificios de la canasta.

Residuos o pelusa en la ropa

- **¿Ha separado la ropa adecuadamente?**
Separe las prendas que sueltan pelusa (toallas, felpilla) de las que atraen pelusa (pana, artículos sintéticos). También separe por color.

- **¿Ha sobrecargado la lavadora?**
La carga debe estar equilibrada y no sobrecargada. La ropa debe moverse con libertad. Si la lavadora está sobrecargada, la pelusa o el detergente en polvo pueden quedar adheridos a las prendas. Lave cargas más pequeñas. Vea "Puesta en marcha de su lavadora" para informarse sobre el tamaño máximo de carga.
- **¿Ha usado suficiente detergente?**
Siga las indicaciones del fabricante del detergente. Use suficiente detergente para mantener la pelusa en el agua.
- **¿Ha secado la ropa en el tendedero?**
Si es así, es posible que quede algo de pelusa en la ropa. El movimiento del aire y la rotación de la secadora quitan la pelusa de la carga.
- **¿Se dejó papel o pañuelo de papel en los bolsillos?**
- **¿Está la temperatura del agua por debajo de los 60°F (15,6°C)?**
El agua de lavado con una temperatura inferior a 60°F (15,6°C) quizás no disuelva por completo el detergente.
- **¿Ha usado el Nivel de suciedad y el Ciclo de lavado apropiados para la carga?**
Otra manera de reducir la formación de pelusa es reducir el tiempo (la duración) del lavado y la velocidad de agitación.
- **¿Ha agregado detergente en el depósito?**
Para obtener óptimos resultados, use el depósito para disolver el detergente.

La ropa está arrugada, enroscada o enredada

- **¿Ha descargado la lavadora con rapidez?**
Descargue la lavadora tan pronto como se detenga.
- **¿Ha empleado el ciclo correcto para la carga que está lavando?**
Para reducir las posibilidades de que la ropa se arrugue, enrede o enrosque, seleccione un ciclo con bajas velocidades de lavado y exprimido, como ser Ropa delicada (Delicate) o Lavado a mano/Lana (Handwash/Wool).
- **¿Ha sobrecargado la lavadora?**
La carga debe estar equilibrada y no sobrecargada. Las prendas deben moverse con facilidad durante el lavado para reducir las posibilidades de que la ropa se arrugue, enrosque y enrede.
- **¿Estaba el agua de lavado lo suficientemente tibia para suavizar las arrugas?**
Si no va a afectar las prendas, use agua tibia o caliente para el lavado. Para el enjuague, emplee agua fría.
- **¿Se han invertido las mangueras del agua caliente y del agua fría?**
Un enjuague con agua caliente seguido de un exprimido producirá arrugas. Cerciórese de que las mangueras de agua caliente y de agua fría estén conectadas a las llaves correctas. Si se invierten las mangueras de entrada de agua caliente y de agua fría, un código de error "HC" aparecerá en la pantalla de la lavadora al final del ciclo. Si no aparece un código de error pero está experimentando un rendimiento insatisfactorio del lavado, fíjese si están invertidas las mangueras de entrada. Vea "Conexión de las mangueras de entrada".

Manchas, ropa blanca percutida, colores opacos

- **¿Ha separado la ropa adecuadamente?**
Siempre que mezcle ropa blanca y de color en una carga puede ocurrir una transferencia de tintes. Separe las prendas de color oscuro de las blancas y claras.
- **¿Estaba la temperatura del agua demasiado baja?**
Para lavar use agua caliente o tibia que no afecte la ropa. Cerciórese de que el sistema de agua caliente sea el adecuado para proveer un lavado con agua caliente.
- **¿Ha usado suficiente detergente, o tiene agua dura?**
Use más detergente cuando lave prendas con suciedad rebelde en agua fría o dura. La temperatura del agua debe estar por lo menos a 60°F (15,6°C) para disolver el jabón y trabajar adecuadamente. Para un óptimo rendimiento, utilice la cantidad de detergente recomendada por el fabricante.
- **¿Ha seguido las instrucciones del fabricante al agregar detergente y suavizante de telas?**
Mida el detergente y el suavizante de telas. Use suficiente detergente para quitar la suciedad y mantenerla en suspensión. Diluya el suavizante de telas y agréguelo solamente en la porción de enjuague del ciclo. No deje escurrir el suavizante de telas sobre la ropa.

- **¿Hay hierro (óxido) por encima del promedio en el agua?**
Tal vez necesite instalar un filtro de óxido ferroso.
- **¿Ha agregado detergente en el depósito?**
Para obtener óptimos resultados, use el depósito para disolver el detergente.
- **¿Ha agregado el suavizante de telas directamente a la carga?**
Use el depósito del suavizante de telas. No deje escurrir el suavizante de telas sobre la ropa.
- **¿Ha usado una bola con suavizante de telas?**
Use el depósito para suavizante de telas provisto con la lavadora. Las bolas que distribuyen suavizante de telas no funcionan correctamente en esta lavadora.
- **¿Ha descargado la lavadora con rapidez?**
Para evitar la transferencia de tintes, descargue la lavadora tan pronto como se detenga.
- **¿Ha agregado detergente, blanqueador con cloro o suavizante de telas demasiado tarde en el ciclo?**
Se debe agregar el detergente, el blanqueador con cloro y el suavizante de telas en los depósitos antes de que comience la lavadora.

Prendas dañadas

- **¿Se han quitado los artículos puntiagudos de los bolsillos antes del lavado?**
Vacíe los bolsillos, cierre los zípers, los broches de presión y los corchetes antes del lavado para evitar que se enganche y rasgue la carga.
- **¿Se ataron los cordones y fajas para evitar que se enreden?**
Los cordones y fajas pueden enredarse fácilmente en la carga forzando las costuras y produciendo roturas.
- **¿Se dañaron las prendas antes del lavado?**
Remiende lo que esté roto y descosido antes del lavado.
- **¿Ha sobrecargado la lavadora?**
La carga debe estar equilibrada y no sobrecargada. Las prendas deben moverse con facilidad durante el lavado.
- **¿Ha agregado correctamente el blanqueador con cloro?**
No vierta el blanqueador con cloro directamente en la carga. Limpie los derrames del blanqueador. El blanqueador no diluido daña los tejidos. No coloque los artículos sobre el depósito del blanqueador cuando ponga o quite la ropa de la lavadora (en algunos modelos). No use más de la cantidad recomendada por el fabricante para una carga completa.
- **¿Ha seguido las instrucciones de la etiqueta de cuidado proporcionadas por el fabricante de la prenda?**

AYUDA O SERVICIO TÉCNICO

Antes de solicitar ayuda o servicio técnico, por favor consulte la sección “Solución de Problemas”. Esto le podría ahorrar el costo de una visita de servicio técnico. Si considera que aún necesita ayuda, siga las instrucciones que aparecen a continuación.

Cuando llame, tenga a mano la fecha de compra y el número completo del modelo y de la serie de su electrodoméstico. Esta información nos ayudará a atender mejor a su pedido.

Si necesita piezas de repuesto

Si necesita pedir piezas de repuesto, recomendamos que use únicamente piezas especificadas de fábrica. Las piezas especificadas de fábrica encajarán bien y funcionarán bien ya que están confeccionadas con la misma precisión empleada en la fabricación de cada electrodoméstico nuevo de MAYTAG®.

Para encontrar piezas especificadas de fábrica en su localidad, llame al siguiente número de teléfono de ayuda al cliente o al centro de servicio designado más cercano a su localidad.

En los EE.UU.

Llame al número de teléfono de Maytag Services, LLC sin costo alguno al: **1-800-688-9900**.

Nuestros consultores ofrecen ayuda para:

- Características y especificaciones de nuestra línea completa de electrodomésticos.
- Información sobre la instalación.
- Procedimiento para el uso y mantenimiento.
- Venta de accesorios y partes para reparación.
- Asistencia especializada para el consumidor (habla hispana, problemas de audición, visión limitada, etc.).
- Recomendaciones con distribuidores locales, compañías que dan servicio y distribuidores de partes para reparación. Los técnicos de servicio designados para los electrodomésticos Maytag® están capacitados para cumplir con la garantía del producto y ofrecer servicio una vez que la garantía termine, en cualquier lugar de los Estados Unidos.

Para localizar a una compañía de servicio designada para los electrodomésticos Maytag® en su área, también puede consultar la sección amarilla de su guía telefónica.

Para obtener asistencia adicional

Si necesita asistencia adicional, puede escribir a electrodomésticos Maytag® con sus preguntas o dudas a:

Maytag Services, LLC
ATTN: CAIR® Center
P.O. Box 2370
Cleveland, TN 37320-2370

Por favor incluya en su correspondencia un número de teléfono en el que se le pueda localizar durante el día.

En Canadá

Llame al Centro de Interacción del Cliente de Whirlpool Canada LP sin costo alguno al: **1-800-807-6777** o visite nuestro sitio web en www.whirlpool.ca.

Nuestros consultores ofrecen ayuda para:

- Características y especificaciones de nuestra línea completa de electrodomésticos.
- Procedimiento para el uso y mantenimiento.
- Venta de accesorios y partes para reparación.
- Recomendaciones con distribuidores locales, compañías que dan servicio y distribuidores de partes para reparación. Los técnicos de servicio designados por Whirlpool Canada LP están capacitados para cumplir con la garantía del producto y ofrecer servicio una vez que la garantía termine, en cualquier lugar de Canadá.

Para obtener asistencia adicional

Si necesita asistencia adicional, puede escribir a Whirlpool Canada LP con sus preguntas o dudas a:

Centro de interacción del cliente
Whirlpool Canada LP
1901 Minnesota Court
Mississauga, Ontario L5N 3A7

Por favor incluya en su correspondencia un número de teléfono en el que se le pueda localizar durante el día.

GARANTÍA DE LOS ELECTRODOMÉSTICOS PRINCIPALES DE MAYTAG CORPORATION

GARANTÍA LIMITADA DE UN AÑO

Durante un año a partir de la fecha de compra, siempre y cuando se dé a este electrodoméstico principal un uso y mantenimiento de conformidad con las instrucciones adjuntas o provistas con el producto, Maytag Corporation o Maytag Limited (en lo sucesivo denominado "Maytag") se hará cargo del costo de las piezas especificadas de fábrica y del trabajo de reparación para corregir defectos en los materiales o en la mano de obra. El servicio deberá ser suministrado por una compañía de servicio designada por Maytag. Esta garantía limitada se aplica sólo cuando el electrodoméstico principal se use en el país en donde se compró.

MAYTAG NO PAGARÁ POR LOS SIGUIENTES ARTÍCULOS

1. Visitas de servicio técnico para corregir la instalación de su electrodoméstico principal, para enseñarle a usar su electrodoméstico principal, para cambiar o reparar fusibles domésticos o para corregir la instalación eléctrica o de la tubería de la casa.
2. Visitas de servicio técnico para reparar o reemplazar focos para electrodomésticos, filtros de aire o filtros de agua. Esos insumos están excluidos de la cobertura de la garantía.
3. Reparaciones cuando su electrodoméstico principal se use de un modo diferente al doméstico normal de una familia.
4. Daños causados por accidente, alteración, uso indebido, abuso, incendio, inundación, actos fortuitos, instalación incorrecta, instalación que no esté de acuerdo con los códigos eléctricos o de plomería, o el empleo de productos no aprobados por Maytag.
5. Cualquier pérdida de comida debido a fallas del refrigerador o del congelador.
6. Piezas de repuesto o gastos de reparación para electrodomésticos que se empleen fuera de los Estados Unidos o Canadá.
7. Recogida y entrega. Este electrodoméstico principal está diseñado para ser reparado en el hogar.
8. Reparaciones de piezas o sistemas como resultado de modificaciones no autorizadas que se hayan efectuado en el electrodoméstico.
9. Gastos de viaje y transporte para obtener servicio del producto en lugares remotos.
10. La remoción e instalación de su electrodoméstico si estuviera instalado en un lugar inaccesible o si no estuviera instalado de conformidad con las instrucciones de instalación publicadas.
11. Piezas de repuesto o gastos de reparación cuando el electrodoméstico principal se use en un país diferente del país en donde se compró.

EXCLUSIÓN DE GARANTÍAS IMPLÍCITAS; LIMITACIÓN DE RECURSOS

EL ÚNICO Y EXCLUSIVO RECURSO DEL CLIENTE SEGÚN LOS TÉRMINOS DE ESTA GARANTÍA LIMITADA SERÁ EL DE REPARAR EL PRODUCTO SEGÚN SE ESTIPULA EN LA PRESENTE. LAS GARANTÍAS IMPLÍCITAS, INCLUYENDO LAS GARANTÍAS DE COMERCIALIZACIÓN O DE CAPACIDAD PARA UN PROPÓSITO PARTICULAR, SERÁN LIMITADAS A UN AÑO O AL PERÍODO MÁS CORTO PERMITIDO POR LEY. MAYTAG NO SE RESPONSABILIZARÁ POR DAÑOS INCIDENTALES O CONSECUENTES. ALGUNOS ESTADOS Y PROVINCIAS NO PERMITEN LAS EXCLUSIONES O LIMITACIONES POR DAÑOS INCIDENTALES O CONSECUENTES, O LIMITACIONES ACERCA DE CUÁNTO DEBE DURAR UNA GARANTÍA IMPLÍCITA DE COMERCIALIZACIÓN O CAPACIDAD, DE MODO QUE LAS LIMITACIONES O EXCLUSIONES ARRIBA MENCIONADAS PUEDEN NO APLICARSE EN SU CASO. ESTA GARANTÍA LE OTORGA DERECHOS LEGALES ESPECÍFICOS Y ES POSIBLE QUE USTED TENGA TAMBIÉN OTROS DERECHOS QUE PUEDEN VARIAR DE UN ESTADO A OTRO O DE UNA PROVINCIA A OTRA.

Esta garantía no tiene vigor fuera de los cincuenta Estados Unidos y Canadá. Póngase en contacto con el distribuidor autorizado de Maytag para determinar si corresponde otra garantía.

Si necesita servicio, consulte primero la sección "Solución de problemas" del Manual de uso y cuidado. Después de consultar la sección "Solución de problemas", puede encontrar ayuda adicional en la sección "Ayuda o servicio técnico", o llamando a Maytag. En EE.UU., llame al **1-800-688-9900**. En Canadá, llame al **1-800-807-6777**. 9/06

Guarde este libro y su comprobante de compra juntos para referencia futura. Usted deberá proporcionar el comprobante de la compra o una fecha de instalación para obtener servicio bajo la garantía.

Escriba la siguiente información acerca de su electrodoméstico principal para ayudarlo mejor a obtener asistencia o servicio técnico si alguna vez llegara a necesitarlo. Deberá tener a mano el número completo del modelo y de la serie. Usted puede encontrar esta información en la etiqueta con el número de modelo y de serie ubicada en el producto.

Nombre del distribuidor _____

Dirección _____

Número de teléfono _____

Número de modelo _____

Número de serie _____

Fecha de compra _____

SÉCURITÉ DE LA LAVEUSE

Votre sécurité et celle des autres est très importante.

Nous donnons de nombreux messages de sécurité importants dans ce manuel et sur votre appareil ménager. Assurez-vous de toujours lire tous les messages de sécurité et de vous y conformer.



Voici le symbole d'alerte de sécurité.

Ce symbole d'alerte de sécurité vous signale les dangers potentiels de décès et de blessures graves à vous et à d'autres.

Tous les messages de sécurité suivront le symbole d'alerte de sécurité et le mot "DANGER" ou "AVERTISSEMENT". Ces mots signifient :

! DANGER

Risque possible de décès ou de blessure grave si vous ne suivez pas immédiatement les instructions.

! AVERTISSEMENT

Risque possible de décès ou de blessure grave si vous ne suivez pas les instructions.

Tous les messages de sécurité vous diront quel est le danger potentiel et vous disent comment réduire le risque de blessure et ce qui peut se produire en cas de non-respect des instructions.

IMPORTANTES INSTRUCTIONS DE SÉCURITÉ

AVERTISSEMENT : Pour réduire les risques d'incendie, de choc électrique ou de blessures lors de l'utilisation de la laveuse, suivre les précautions fondamentales dont les suivantes :

- Lire toutes les instructions avant d'utiliser la laveuse.
- Ne pas laver des articles qui ont été nettoyés ou lavés avec de l'essence ou imbibés d'essence, solvants de nettoyage à sec, ou autres substances inflammables ou explosives; ces substances peuvent émettre des vapeurs susceptibles de s'enflammer ou d'exploser.
- Ne pas ajouter d'essence, solvant de nettoyage à sec ou autre produit inflammable ou explosif dans l'eau de lavage. Ces substances peuvent émettre des vapeurs susceptibles de s'enflammer ou d'exploser.
- Dans certaines conditions, de l'hydrogène gazeux peut se former dans un circuit d'eau chaude qui n'a pas été utilisé pendant 2 semaines ou plus. **LE GAZ HYDROGÈNE EST EXPLOSIBLE.** Si le circuit d'eau chaude n'a pas été utilisé pendant une telle période, avant d'utiliser la laveuse, ouvrir tous les robinets d'eau chaude et laisser l'eau s'écouler pendant plusieurs minutes par chaque robinet. Ceci permettra l'évacuation de l'hydrogène gazeux accumulé. Comme ce gaz est inflammable, ne pas fumer ou utiliser une flamme nue au cours de cette période.
- Ne pas laisser des enfants jouer sur ou à l'intérieur de la laveuse. Bien surveiller les enfants lorsque la laveuse est utilisée à proximité d'enfants.
- Avant de mettre la laveuse au rebut ou hors de service, enlever la porte ou le couvercle.
- Ne pas tenter d'atteindre un article à l'intérieur de la cuve de la laveuse lorsque le tambour, la cuve ou l'agitateur est en mouvement.
- Ne pas installer ou remiser cette laveuse à un endroit où elle serait exposée aux intempéries.
- Ne pas modifier les organes de commande.
- Ne pas réparer ou remplacer un composant quelconque de la laveuse, ni entreprendre une opération de service, si ce n'est spécifiquement recommandé dans ce manuel ou dans un manuel d'instructions de réparations destiné à l'utilisateur; il est alors essentiel que la personne concernée comprenne ces instructions et soit compétente pour les exécuter.
- Voir "Spécifications électriques" pour les instructions de liaison à la terre.

CONSERVEZ CES INSTRUCTIONS

EXIGENCES D'INSTALLATION

Outillage et pièces

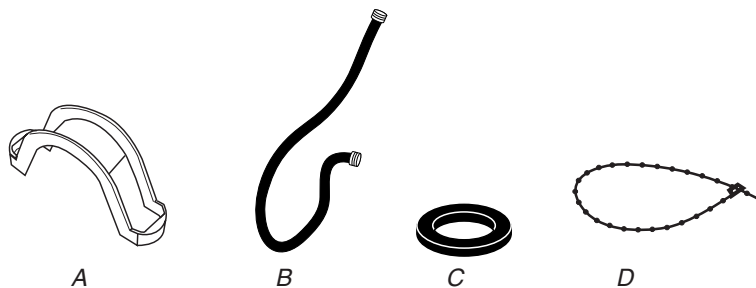
Rassembler les outils et pièces nécessaires avant de commencer l'installation. Les pièces fournies se trouvent dans le panier de la laveuse.

Outils nécessaires au raccordement du tuyau de vidange et des tuyaux d'arrivée d'eau :

- Pince - ouverture jusqu'à 1 $\frac{3}{16}$ " (3,95 cm)
- Lampe de poche (facultative)

REMARQUE : Remplacer les tuyaux d'arrivée d'eau après 5 ans d'utilisation pour réduire le risque de défaillance intempestive. Prendre note de la date d'installation ou de remplacement des tuyaux d'arrivée d'eau, pour référence ultérieure.

Pièces fournies :



A. Bride de retenue pour tuyau de vidange
B. Tuyaux d'admission d'eau (2)
C. Rondelles plates pour tuyau d'arrivée d'eau (4)
D. Attache de fixation perlée

Outils nécessaires à l'immobilisation du tuyau de vidange et au réglage de l'aplomb de la laveuse :

- Clé plate ou clé à molette de 9/16" (14 mm)
- Clé en bois
- Niveau
- Règle ou mètre ruban

Autres pièces

Il se peut que l'installation nécessite des pièces supplémentaires. Pour acheter l'un des articles indiqués ici, composer le numéro sans frais indiqué sur la couverture ou à la section "Assistance ou service".

| Si vous avez : | Vous devrez acheter : |
|--|--|
| Évier de buanderie ou tuyau de rejet à l'égout plus haut que 96" (2,4 m) | Système de pompe de puisard (si non déjà disponible) |
| Tuyau de rejet à l'égout de 1" (2,5 cm) de diamètre | Adaptateur de 2" (5 cm) à 1" (2,5 cm) de diamètre pour le tuyau de rejet à l'égout, Pièce numéro 3363920 et kit de connexion, Pièce numéro 285835 |
| Égout surélevé | Tuyau de vidange standard de 20 gal. (76 L) de 39" (99 cm) de haut ou évier de décharge, pompe de puisard et connecteurs (disponibles chez les vendeurs de matériel de plomberie locaux) |
| Égout au plancher | Brise-siphon, Pièce numéro 285834, tuyau de vidange supplémentaire, Pièce numéro 8318155 et kit de connexion, Pièce numéro 285835 |
| Robinets d'eau hors d'atteinte des tuyaux d'admission | 2 tuyaux d'admission d'eau plus longs : 6 pi (1,8 m) - Pièce numéro 76314, 10 pi (3 m) - Pièce numéro 350008 |
| Évacuation obstruée par de la charpie | Protecteur de canalisation, Pièce numéro 367031 |

Exigences d'emplacement

Le choix d'un emplacement approprié pour la laveuse en améliore le rendement et réduit au minimum le bruit et le "déplacement" possible de la laveuse.

La laveuse peut être installée dans un sous-sol, une salle de buanderie, un placard ou un encastrement. Voir "Système de vidange".

IMPORTANT : Ne pas installer ou remiser la laveuse dans un endroit où elle sera exposée aux intempéries.

C'est à l'utilisateur qu'incombe la responsabilité de réaliser une installation correcte.

Il vous faudra :

- Un chauffe-eau pour fournir de l'eau à 120°F (49°C) à la laveuse.
- Une prise électrique reliée à la terre située à moins de 4 pi (1,2 m) de la prise du cordon électrique se trouvant à l'arrière de la laveuse. Voir "Spécifications électriques".
- Des robinets d'eau chaude et d'eau froide situés à moins de 3 pi (90 cm) des robinets d'admission d'eau chaude et d'eau froide, et une pression d'eau de 20-100 lb/po² (138-690 kPa) pour un rendement optimal.
- Un plancher de niveau ayant une pente maximale de 1" (2,5 cm) sous l'ensemble de la laveuse. L'installation de la laveuse sur de la moquette n'est pas recommandée.
- Un plancher robuste pour supporter la laveuse dont le poids total (laveuse, eau et charge) est de 315 lb (143 kg).

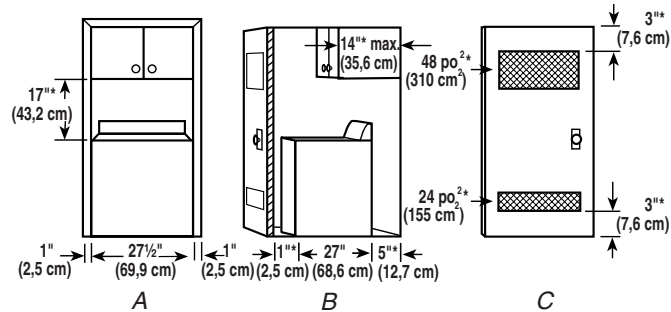
Ne pas remiser ou faire fonctionner la laveuse à des températures égales ou inférieures à 32°F (0°C). Une quantité d'eau peut demeurer dans la laveuse et causer des dommages à des températures basses. Voir "Entretien de la laveuse" pour des renseignements sur la préparation de la laveuse pour l'hiver.

Espacement pour une installation dans un encastrement et dans un placard

On recommande les dimensions d'espacement suivantes pour cette laveuse. Cette laveuse a été testée pour une installation avec dégagement de 0" (0 cm) sur les côtés. L'espacement recommandé doit être considéré pour les raisons suivantes :

- Prévoir davantage d'espace pour faciliter l'installation et l'entretien.
- Un espace supplémentaire doit être envisagé de tous les côtés de la laveuse afin de réduire le transfert de bruit.
- En cas d'installation dans un placard avec porte, on doit prévoir des ouvertures minimums d'entrée d'air en haut et en bas de la porte. Les portes à claire-voie offrant des ouvertures équivalentes de passage de l'air sont acceptables.

- Il faut aussi prendre en compte l'espace requis entre les appareils voisins.



A. Vue de face
B. Vue latérale
C. Porte de placard avec orifices d'entrée d'air

*Espace requis

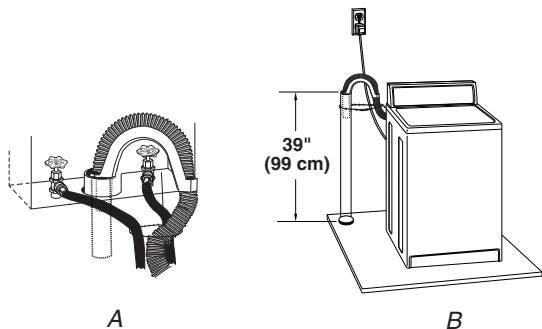
Système de vidange

La laveuse peut être installée en utilisant le système de rejet à l'égoût (au plancher ou mural), le système de vidange de l'évier de buanderie, ou le système de vidange au plancher. Sélectionner la méthode d'installation du tuyau de vidange selon les besoins. Voir "Outillage et pièces".

Système de vidange avec tuyau de rejet à l'égoût - mural ou au plancher (vues A et B)

Le système de rejet à l'égoût nécessite un tuyau de diamètre minimum de 2" (5 cm). La capacité minimale d'acheminement ne doit pas être inférieure à 17 gal. (64 L) par minute. Un adaptateur de 2" (5 cm) à 1" (2,5 cm) de diamètre est disponible pour le tuyau de rejet à l'égoût. Voir "Outillage et pièces".

Le sommet du tuyau de rejet à l'égoût doit être au moins à 39" (99 cm) de hauteur et au maximum à 96" (244 cm) de la base de la laveuse.



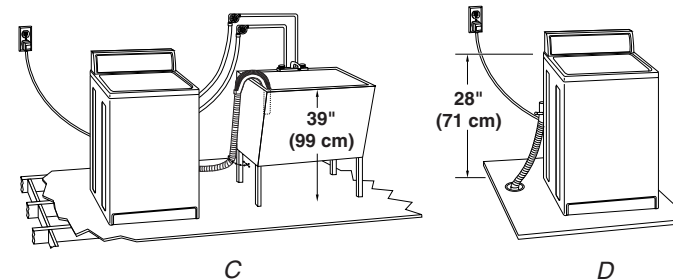
Système de vidange avec évier de buanderie (vue C)

L'évier de buanderie doit avoir une capacité minimale de 20 gal. (76 L). Le sommet de l'évier doit être au moins à 39" (99 cm) au-dessus du sol et au maximum à 96" (244 cm) de la base de la laveuse.

Système de vidange au plancher (vue D)

Le système de vidange au plancher nécessite un brise-siphon qui peut être acheté séparément. Voir "Outillage et pièces".

Le brise-siphon doit être au moins à 28" (71 cm) de la base de la laveuse. Des tuyaux supplémentaires peuvent être requis.



Spécifications électriques

⚠ AVERTISSEMENT



Risque de choc électrique

Brancher sur une prise à 3 alvéoles reliée à la terre.

Ne pas enlever la broche de liaison à la terre.

Ne pas utiliser un adaptateur.

Ne pas utiliser un câble de rallonge.

Le non-respect de ces instructions peut causer un décès, un incendie ou un choc électrique.

- Une alimentation de 120 volts, 60 Hz, CA seulement, de 15 ou 20 ampères, protégée par un fusible est requise. On recommande l'emploi d'un fusible temporisé ou disjoncteur. Il est recommandé d'utiliser un circuit distinct pour alimenter uniquement cet appareil.
- Cette laveuse est dotée d'un cordon d'alimentation avec fiche de branchement à 3 broches, pour liaison à la terre.

- Pour minimiser le risque de choc électrique, on doit brancher le cordon d'alimentation sur une prise de courant murale de configuration correspondante (3 alvéoles) reliée à la terre conformément aux codes et règlements locaux. Si une prise de configuration correspondante n'est pas disponible, c'est au client qu'incombent la responsabilité et l'obligation personnelles de faire installer par un électricien qualifié une prise adéquatement mise à la terre.
- Si les codes le permettent et si un conducteur distinct de mise à la terre est utilisé, il est recommandé qu'un électricien qualifié détermine que la liaison à la terre est adéquate.
- Ne pas effectuer la liaison à la terre sur une canalisation de gaz.
- En cas de doute quant à la qualité de la liaison à la terre de la laveuse, vérifier auprès d'un électricien qualifié.
- Ne pas utiliser un fusible dans le circuit neutre ou de liaison à la terre.

INSTRUCTIONS DE LIAISON À LA TERRE

Pour une laveuse reliée à la terre et connectée par un cordon :

Cette laveuse doit être reliée à la terre. En cas d'anomalie de fonctionnement ou de panne, la liaison à la terre réduira le risque de choc électrique en offrant au courant électrique un itinéraire d'évacuation de moindre résistance. Cette laveuse est alimentée par un cordon électrique comportant un conducteur relié à la terre et une fiche de branchement munie d'une broche de liaison à la terre. La fiche doit être branchée sur une prise de courant appropriée qui est bien installée et reliée à la terre conformément à tous les codes et règlements locaux.

AVERTISSEMENT : Le raccordement incorrect de cet appareil au conducteur de liaison à la terre peut susciter un risque de choc électrique. En cas de doute quant à la qualité de la liaison à la terre de l'appareil, consulter un électricien ou technicien d'entretien qualifié.

Ne pas modifier la fiche de branchement fournie avec l'appareil – si la fiche ne correspond pas à la configuration de la prise de courant, demander à un électricien qualifié d'installer une prise de courant convenable.

Pour une laveuse raccordée en permanence :

Cette laveuse doit être raccordée à un système de câblage permanent en métal relié à la terre ou un conducteur relié à la terre doit être en fonction avec les conducteurs de circuit et raccordés à la borne de liaison à la terre ou la borne sur l'appareil ménager.

INSTRUCTIONS D'INSTALLATION

Avant de commencer

⚠ AVERTISSEMENT

Risque du poids excessif

Utiliser deux ou plus de personnes pour déplacer et installer la laveuse.

Le non-respect de cette instruction peut causer une blessure au dos ou d'autre blessure.

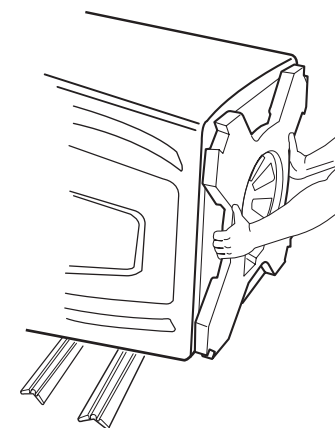
REMARQUE : Pour éviter d'endommager le plancher pendant l'installation, poser la laveuse sur un carton avant de la déplacer sur le sol.

IMPORTANT :

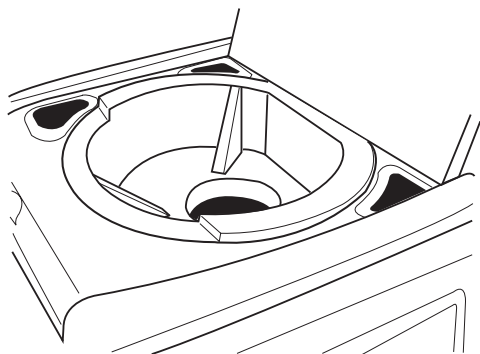
- Vérifier que la base d'expédition en mousse a été retirée de la partie inférieure de la laveuse tel qu'indiqué dans les Instructions de déballage.
- Si la base d'expédition en mousse n'a pas été retirée, vérifier que le couvercle est bien immobilisé avec du ruban adhésif avant de faire reposer la laveuse sur sa partie arrière.
- Le retrait de la base d'expédition en mousse est nécessaire au bon fonctionnement de l'appareil.

Retrait de la base d'expédition et de l'anneau d'emballage

1. Placer des supports de carton du carton d'emballage sur le sol derrière la laveuse.
2. Fixer le couvercle avec du ruban adhésif.
3. À l'aide de deux personnes ou plus, incliner la laveuse sur sa partie arrière et la placer sur les supports de carton.
4. Ôter la base d'expédition en mousse.



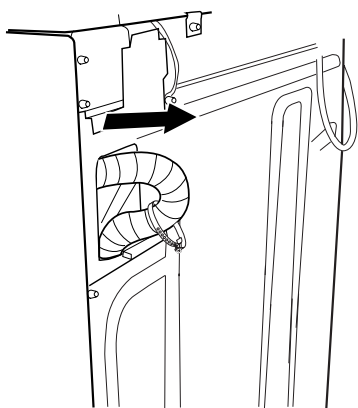
5. Redresser la laveuse en position verticale.
6. Retirer le ruban adhésif du couvercle. Ouvrir le couvercle et ôter l'anneau d'emballage en mousse de la cuve de la laveuse. Conserver l'anneau d'emballage en mousse en cas de déplacement ultérieur de la laveuse.



Raccordement du tuyau de vidange

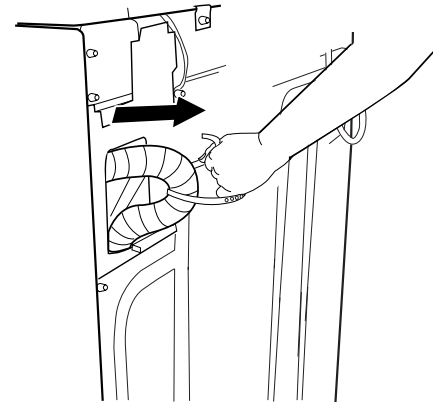
Le bon acheminement du tuyau de vidange protège vos planchers contre les dommages imputables à une fuite d'eau. Lire et suivre ces instructions.

Le tuyau de vidange est connecté à la laveuse et est remis à l'intérieur de la caisse de la laveuse.



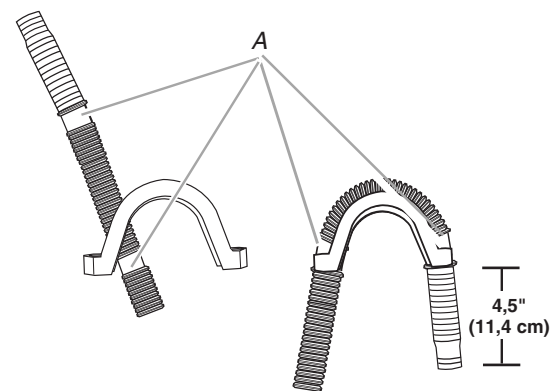
Libération du tuyau de vidange fixé sur la caisse de la laveuse

Tirer sur le tuyau de vidange ondulé pour le sortir de la laveuse en saisissant d'abord l'attache de fixation. Continuer à tirer sur le tuyau jusqu'à ce que l'extrémité se dégage. Ne pas forcer l'excédent de tuyau de vidange dans l'arrière de la laveuse.



Décharge de l'eau de lavage dans un évier de buanderie ou tuyau de rejet à l'égout

Connexion de la bride de retenue pour tuyau de vidange sur le tuyau de vidange ondulé



A. Redressements du tuyau de vidange

1. Faire passer l'extrémité du tuyau de vidange dans l'une des extrémités de la bride de retenue. Placer l'extrémité de la bride de retenue dans le redressement du tuyau de vidange.
2. Plier le tuyau sur la partie supérieure de la bride de retenue et le faire passer dans l'autre extrémité de la bride de retenue. Fixer l'autre extrémité de la bride de retenue dans l'autre redressement du tuyau de vidange. Le tuyau doit être étiré de 4 1/2" (11,4 cm) au-delà de la bride de retenue.

Pour empêcher l'eau de vidange de refluer dans la laveuse :

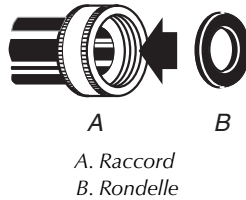
- Ne pas forcer l'excédent du tuyau de vidange dans le tuyau rigide de rejet à l'égout. Le tuyau doit être bien immobilisé, tout en permettant le passage d'air.
- Ne pas mettre l'excédent du tuyau de vidange dans le fond de l'évier de buanderie.

Égout au plancher

Ne pas installer la bride de retenue pour tuyau de vidange sur le tuyau de vidange ondulé. Il vous faudra peut-être des pièces supplémentaires. Voir Égout au plancher dans "Outillage et pièces".

Raccordement des tuyaux d'alimentation

1. Insérer les rondelles plates neuves (fournies) dans chaque extrémité des tuyaux d'arrivée d'eau. Insérer fermement les rondelles dans les raccords.

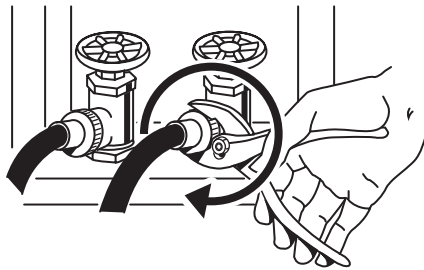


A. Raccord
B. Rondelle

Raccordement des tuyaux d'alimentation aux robinets d'eau

S'assurer que le panier de la laveuse est vide.

2. Fixer le tuyau dont l'étiquette porte la mention hot/chaud au robinet d'eau chaude. Visser complètement le raccord à la main pour qu'il comprime la rondelle.
3. Fixer le tuyau dont l'étiquette porte la mention cold/froid au robinet d'eau froide. Visser complètement le raccord à la main pour qu'il comprime la rondelle.
4. À l'aide d'une pince, serrer les raccords en effectuant deux tiers de tour supplémentaires.

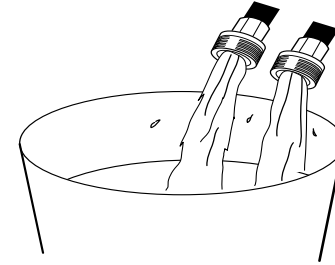


Serrer les raccords en effectuant deux tiers de tour supplémentaires.

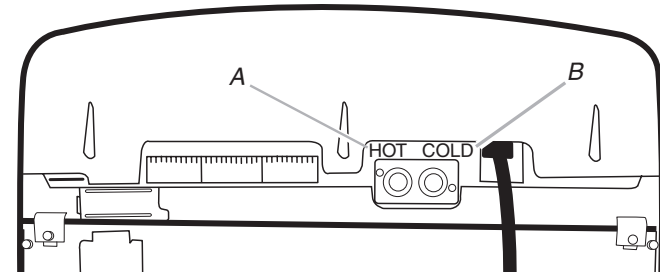
REMARQUE : Ne pas serrer excessivement ou utiliser du ruban adhésif ou un calfeutrante sur la valve. Les valves risquent d'être endommagées.

Vider les canalisations d'eau

- Laisser s'écouler l'eau des deux robinets et des tuyaux d'alimentation dans un évier de buanderie, un tuyau de rejet à l'égout ou un seau, pour éliminer les particules se trouvant dans les canalisations d'eau qui pourraient obstruer les tamis de la valve d'arrivée d'eau.
- Vérifier la température de l'eau pour s'assurer que le tuyau d'eau chaude est connecté au robinet d'eau chaude et que le tuyau d'eau froide est connecté au robinet d'eau froide.

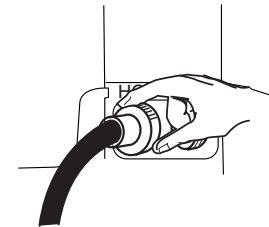


Raccordement des tuyaux d'alimentation à la laveuse

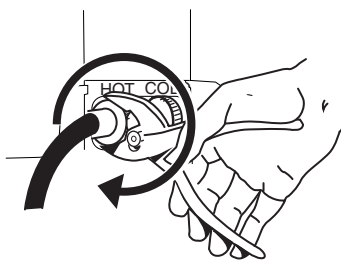


A. Valve du tuyau d'alimentation d'eau chaude
B. Valve du tuyau d'alimentation d'eau froide

1. Fixer le tuyau d'eau chaude à la valve d'arrivée d'eau dont l'étiquette porte la mention "chaud".
2. Le fait d'attacher un raccord de tuyau d'abord permet de resserrer plus facilement la connexion avec la pince.
3. Visser complètement le raccord à la main pour qu'il comprime la rondelle.



4. À l'aide d'une pince, serrer le raccord en effectuant deux tiers de tour supplémentaires.
REMARQUE : Ne pas serrer excessivement ou utiliser du ruban adhésif ou un calfeutrant sur la valve. Les valves risquent d'être endommagées.



5. Fixer le tuyau d'eau froide à la valve d'arrivée d'eau dont l'étiquette porte la mention "froid".
6. Visser complètement le raccord à la main pour qu'il comprime la rondelle.
7. À l'aide d'une pince, serrer le raccord en effectuant deux tiers de tour supplémentaires.
REMARQUE : Ne pas serrer excessivement ou utiliser du ruban adhésif ou un calfeutrant sur la valve. Les valves risquent d'être endommagées.

Recherche de fuites

- Ouvrir les robinets d'eau et vérifier s'il y a des fuites. Une petite quantité d'eau peut entrer dans la laveuse. Vous effectuerez une vidange lors d'une étape ultérieure.
REMARQUE : Remplacer les tuyaux d'arrivée d'eau après 5 ans d'utilisation pour réduire le risque de défaillance intempestive. Prendre note de la date d'installation ou de remplacement des tuyaux d'arrivée d'eau, pour référence ultérieure.
- En cas de raccordement d'un seul tuyau d'eau, il est nécessaire de boucher l'orifice d'entrée d'eau restant.
- Inspecter périodiquement les tuyaux; les remplacer en cas de renflement, de déformation, de coupure, d'usure ou si une fuite se manifeste.

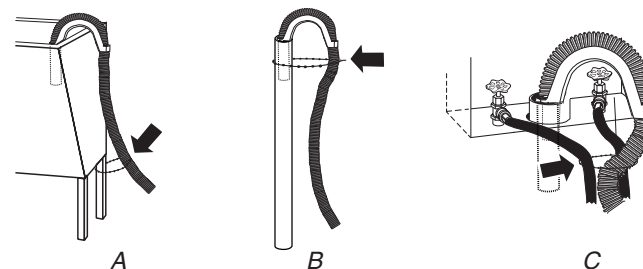
Immobilisation du tuyau de vidange

1. Faire passer le cordon d'alimentation par-dessus la console.
2. Ôter tout carton utilisé pour le déplacement de la laveuse.



Attache de fixation perlée

3. Fixer le tuyau de vidange au pied de l'évier de buanderie ou au tuyau rigide de rejet à l'égout avec l'attache de fixation perlée. Voir l'illustration A ou B.



Si les robinets et le tuyau rigide de rejet à l'égout sont placés en retrait, introduire l'extrémité en col de cygne du tuyau de vidange dans le tuyau rigide de rejet à l'égout. Attacher fermement les tuyaux d'arrivée d'eau et le tuyau de vidange ensemble, avec l'attache. Voir l'illustration C.

Réglage de l'aplomb de la laveuse

⚠ AVERTISSEMENT

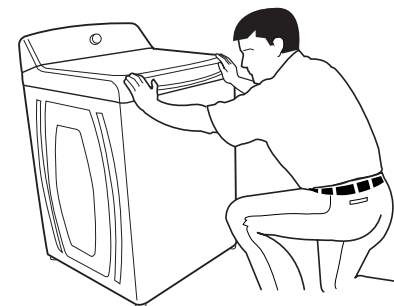
Risque du poids excessif

Utiliser deux ou plus de personnes pour déplacer et installer la laveuse.

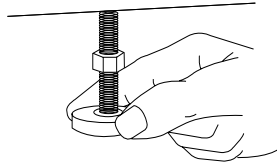
Le non-respect de cette instruction peut causer une blessure au dos ou d'autre blessure.

Un des pieds de la laveuse a été installé à une hauteur différente sur la nouvelle laveuse. Les trois autres pieds ont été pré-réglés à l'usine. Un bon aplomb de la laveuse minimisera le bruit et les vibrations.

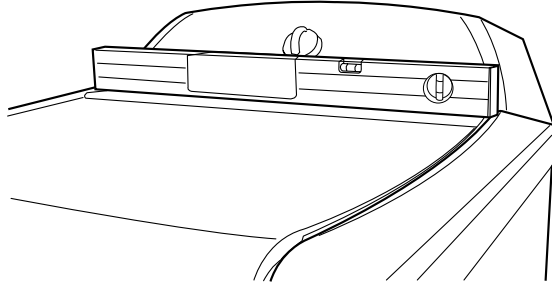
1. Faire glisser la laveuse à son emplacement final.
2. Appuyer sur le panneau avant supérieur pour vérifier que la laveuse repose sur ses pieds arrière.



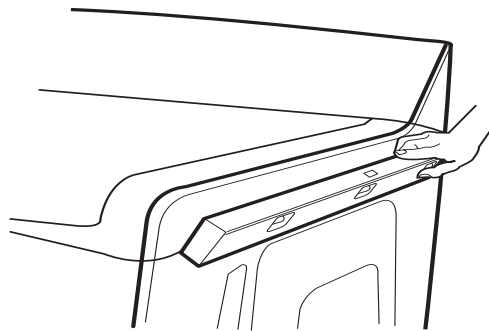
3. Abaisser le pied avant droit jusqu'à ce qu'il soit en contact avec le plancher. Manuellement, faire pivoter fermement le pied jusqu'à 1 ½ tour supplémentaire. Les trois autres pieds ont été pré-réglés à l'usine.



4. Contrôler l'aplomb de la laveuse en plaçant d'abord un niveau sur le couvercle près de la console. Puis, placer le niveau sur le côté de la laveuse dans la zone située entre la partie supérieure de la laveuse et la caisse.



Contrôler l'aplomb à l'avant.

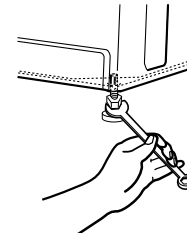


Contrôler l'aplomb sur le côté.

5. Si la laveuse n'est pas d'aplomb, déplacer légèrement la laveuse pour la sortir, l'incliner vers l'arrière, soulever l'avant de la laveuse avec une cale de bois. Régler le pied vers le haut ou vers le bas autant que nécessaire en le faisant tourner. Répéter les étapes 1 à 4 jusqu'à ce que la laveuse soit d'aplomb.

6. Avec une clé plate de 9/16" ou 14 mm, serrer l'écrou (dans le sens antihoraire) sur le pied, en le bloquant fermement contre la caisse de la laveuse.

IMPORTANT : Si l'écrou n'est pas bloqué contre la caisse de la laveuse, la laveuse peut vibrer.



Achever l'installation

1. Consulter les spécifications électriques. Vérifier que la tension électrique disponible est correcte et que la prise de courant est convenablement reliée à la terre. Voir "Spécifications électriques".
2. Vérifier que toutes les pièces sont maintenant installées. S'il reste une pièce, passer en revue les différentes étapes pour découvrir laquelle aurait été oubliée.
3. Vérifier la présence de tous les outils.
4. Conserver l'anneau de l'emballage en mousse qui se trouve dans la cuve de la laveuse en cas de déplacement ultérieur de la laveuse. Jeter ou recycler tous les matériaux d'emballage.
5. Vérifier que les robinets d'eau sont ouverts.
6. Vérifier s'il y a des fuites autour des robinets et des tuyaux d'arrivée d'eau.

⚠ AVERTISSEMENT



Risque de choc électrique

Brancher sur une prise à 3 alvéoles reliée à la terre.

Ne pas enlever la broche de liaison à la terre.

Ne pas utiliser un adaptateur.

Ne pas utiliser un câble de rallonge.

Le non-respect de ces instructions peut causer un décès, un incendie ou un choc électrique.

7. Brancher sur une prise à 3 alvéoles reliée à la terre.
8. Ôter tout film protecteur ou ruban adhésif restant sur la laveuse.

9. Lire "Utilisation de la laveuse".
10. Pour tester et nettoyer votre laveuse, mesurer ½ de la quantité recommandée par le fabricant de détergent en poudre ou liquide pour une charge de taille moyenne et verser dans le distributeur de détergent. Rabattre le couvercle. Appuyer sur POWER (alimentation). Sélectionner un programme normal et appuyer sur Start (mise en marche). Laisser un programme complet s'effectuer.

AVANTAGES ET CARACTÉRISTIQUES

Votre laveuse présente plusieurs avantages et caractéristiques qui sont résumés ici. Certains articles peuvent ne pas s'appliquer à votre modèle.

Avantages

Commande du niveau d'eau IntelliFill™

Cette laveuse détecte le volume de la charge et sa composition à travers une série de remplissages et de mouvements de lavage. Elle ajuste ensuite le niveau d'eau pour un rendement de nettoyage et de rinçage optimal. Ceci élimine les calculs approximatifs. Le niveau d'eau correspond exactement au volume de chaque charge de lavage.

Commande automatique de température

Le système de gestion de la température de la commande de soin sur cette laveuse détecte et maintient électroniquement une température uniforme de l'eau en contrôlant la température de l'eau d'arrivée. L'utilisation de la commande de soin favorisera la dissolution du détergent.

Distributeurs

Les distributeurs rendent votre laveuse véritablement automatique. Il n'est pas nécessaire de retourner à la laveuse pendant le programme pour ajouter détergent, agent de blanchiment ou assouplissant de tissu.

Les produits de lessive sont ajoutés à la charge au moment approprié au cours du programme de lavage.

Action de lavage Stain Cycle (programme contre les taches)

L'option Stain Cycle (programme contre les taches) utilise l'action de nettoyage à injection directe pour aider à garantir une meilleure élimination des taches et salissures. L'action Stain Cycle réduit le besoin de prétraitement. De l'eau passe dans le distributeur pour dissoudre le détergent. Le mélange de détergent est ensuite vaporisé sur la charge tandis que la laveuse effectue un essorage à basse vitesse. Cette action de nettoyage durera jusqu'à 10 minutes selon le programme sélectionné. Puis la laveuse arrête l'essorage, se remplit au niveau d'eau approprié et poursuit le lavage avec le programme sélectionné.

Caractéristiques

Votre nouvelle laveuse présente des caractéristiques qui aident à réduire le bruit, augmentent la facilité d'utilisation et améliorent la performance de lavage.

Commandes électroniques

Les commandes électroniques avec les programmes pré-réglés sont faciles à utiliser, que vous soyez un débutant ou un "expert".

Fonctionnement silencieux

Cette laveuse est insonorisée à l'aide de matériaux isolants afin de réduire les sons et bruits de fonctionnement de la laveuse. Sur certains modèles, une enveloppe supplémentaire pour la cuve est ajoutée pour l'amortissement supérieur des sons et des vibrations. La laveuse possède une touche de son supplémentaire dans la partie inférieure. Elle est incluse séparément et peut être installée par le client.

Système de suspension

Pour réduire le "déplacement" ou le "déséquilibre" de la laveuse, celle-ci combine :

- 4 jambes élastiques à ressort pour isoler les vibrations
- Un anneau d'équilibrage en haut et au fond du panier de lavage pour minimiser les vibrations
- Un logiciel d'exploitation conçu pour détecter et corriger les charges déséquilibrées

Panier en acier inoxydable

Le panier en acier inoxydable résiste à la corrosion et permet des vitesses d'essorage plus élevées pour une meilleure extraction de l'eau comparé aux laveuses traditionnelles à chargement par le dessus et une réduction de la durée de séchage.

Couvercle en verre trempé transparent avec charnière de couvercle résistante (sur certains modèles)

Certains modèles comportent un couvercle en verre transparent. Fabriqué en verre trempé incassable, le couvercle permet d'observer l'action de nettoyage en profondeur sur la charge de lavage à l'intérieur. Grâce à la charnière de couvercle résistante, le grand couvercle est suffisamment flexible pour s'ouvrir complètement et de façon pratique; il ne se rabattra pas de façon intempestive.

Système de lavage/rinçage par filtre forcé

Cette laveuse filtre 100 % de l'eau de lavage et de rinçage. L'eau est filtrée puis remise en circulation. Le filtre forcé coince le sable et les saletés, les chasse par le tuyau d'évacuation afin qu'ils ne se redéposent pas sur les vêtements propres.

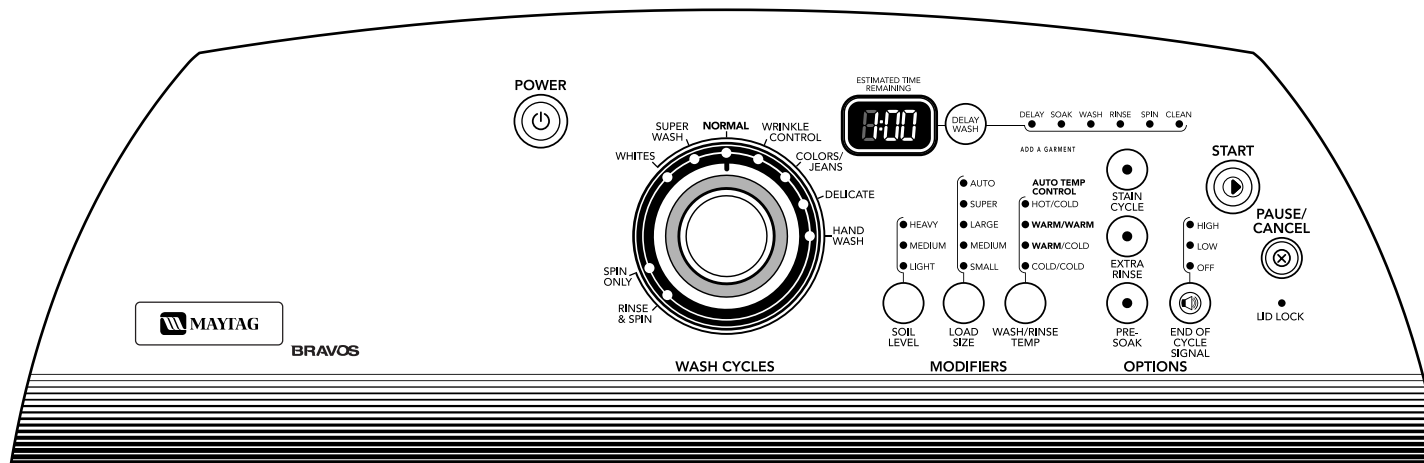
Delay Wash (lavage différé) (sur certains modèles)

L'option Delay Wash permet de charger la laveuse et de différer le début du programme jusqu'à 8 heures.

Signal de fin de programme

Le signal de fin de programme émet un signal sonore qui indique la fin du programme de lavage. Ce signal est utile lorsqu'on retire les articles de la laveuse aussitôt qu'elle s'arrête.

UTILISATION DE LA LAVEUSE



REMARQUE : Votre modèle de laveuse peut différer légèrement du modèle illustré.

Mise en marche de la laveuse

⚠ AVERTISSEMENT



Risque d'incendie

Ne jamais mettre des articles humectés d'essence ou d'autres fluides inflammables dans la laveuse.

Aucune laveuse ne peut complètement enlever l'huile.

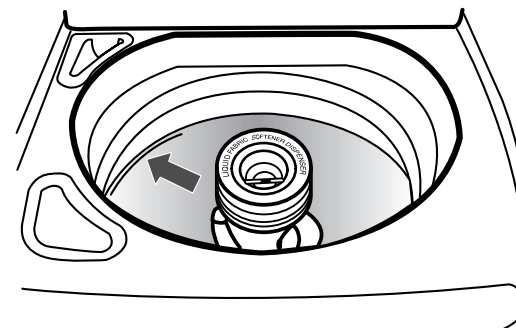
Ne pas faire sécher des articles qui ont été salis par tout genre d'huile (y compris les huiles de cuisson).

Le non-respect de ces instructions peut causer un décès, une explosion ou un incendie.

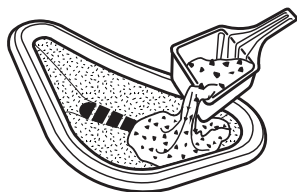
AVERTISSEMENT : Pour réduire le risque d'incendie, de choc électrique ou de blessures corporelles, lire les INSTRUCTIONS IMPORTANTES DE SÉCURITÉ avant de faire fonctionner cet appareil.

Les renseignements suivants vous aideront à mettre votre laveuse en marche. Les renvois périodiques à d'autres sections de ce guide permettent d'obtenir des renseignements plus détaillés.

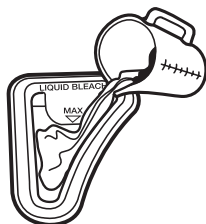
1. Mettre une charge de vêtements triés dans la laveuse. Voir "Conseils de lessivage".
 - Répartir la charge uniformément pour maintenir l'équilibre de la laveuse. Mélanger les gros et les petits articles.
 - Charger uniquement jusqu'en haut du panier - voir l'illustration. Une surcharge peut causer un nettoyage médiocre. Les articles doivent pouvoir se déplacer facilement dans l'eau de lavage.



2. Verser la quantité mesurée de détergent en poudre ou liquide dans le distributeur de détergent. Ne pas verser le détergent directement dans la cuve de lavage ou sur les vêtements dans la laveuse.



3. Verser l'agent de blanchiment (en poudre ou liquide) sans danger pour les couleurs dans ce distributeur, si nécessaire. Veiller à utiliser un agent de blanchiment en poudre sans danger pour les couleurs avec un détergent en poudre approprié ou un agent de blanchiment liquide sans danger pour les couleurs avec un détergent liquide approprié.
4. Verser la quantité mesurée d'agent de blanchiment liquide dans le distributeur d'agent de blanchiment liquide, si nécessaire. L'agent de blanchiment est dilué et automatiquement distribué au moment approprié au cours du programme de lavage.

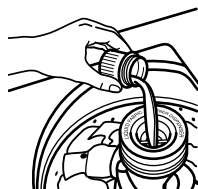


- Ne pas remplir excessivement. Ne pas diluer. Ne pas utiliser plus de 1 tasse (250 mL) pour une charge complète. Réduire la quantité pour une plus petite charge.
- Suivre les instructions du fabricant des vêtements et de l'agent de blanchiment pour une utilisation correcte.
- Pour éviter les renversements, utiliser une tasse avec un bec verseur. Ne pas laisser l'agent de blanchiment éclabousser, se renverser ou couler dans le panier de la laveuse.
- À la fin du programme, il est possible qu'une petite quantité d'eau reste dans le distributeur. Ceci est normal.

REMARQUE : Utiliser seulement un agent de blanchiment liquide dans ce distributeur.

5. Verser un assouplissant de tissu liquide dans le distributeur d'assouplissant de tissu, si désiré.

IMPORTANT : Diluer la totalité de l'assouplissant de tissu avec de l'eau pour un total de ½ tasse (118 mL).



- Ne pas remplir excessivement. La capacité du distributeur est de ½ tasse (118 mL).
- Ne pas renverser ou dégotter d'assouplissant de tissu sur les vêtements.

REMARQUES :

- Utiliser seulement de l'assouplissant de tissu liquide dans ce distributeur.
 - Ne pas utiliser de boules distributrices d'assouplissant de tissu dans cette laveuse. Les boules distributrices ne fonctionnent pas correctement avec cette laveuse.
6. Rabattre le couvercle de la laveuse.
 7. Appuyer sur POWER (alimentation). Ceci active l'afficheur de la laveuse.
 8. Sélectionner un programme de lavage. Voir "Programmes".
 9. Ajuster les modificateurs, si désiré. Voir "Modificateurs".
 10. Sélectionner les options désirées. Voir "Options".
 11. Sur certains modèles, sélectionner Delay Wash (lavage différé), si désiré. Voir "Delay Wash (lavage différé)" dans la section "Modificateurs".
 12. Appuyer sur START (mise en marche). Le programme de lavage commence et l'afficheur indique la durée résiduelle estimée. Le couvercle se verrouillera.

REMARQUE : Si on n'appuie pas sur Start (mise en marche) en deçà de 5 minutes après avoir appuyé sur Power (alimentation), la laveuse s'arrête automatiquement.

Pause ou remise en marche de la laveuse

Add a Garment (ajouter un vêtement)

Il est possible d'ajouter un vêtement supplémentaire à la charge lorsque le témoin lumineux "Add a Garment" est allumé, sans diminuer la performance de lavage.

Pour ajouter un vêtement ou pour mettre la laveuse en pause à tout moment

1. Appuyer une fois sur PAUSE/CANCEL (pause/annulation).
2. Attendre que le témoin Lid Lock (couvercle verrouillé) s'éteigne, puis ouvrir le couvercle.
3. Ajouter des articles.

Pour remettre la laveuse en marche

1. Fermer le couvercle et appuyer sur START (mise en marche).
2. Pour déverrouiller le couvercle à la fin de la période Add a Garment, appuyer une fois sur PAUSE/CANCEL. En appuyant deux fois sur PAUSE/CANCEL, on annule le programme de lavage.

Arrêt de la laveuse

On peut arrêter le programme de lavage et effectuer une vidange de la cuve en appuyant deux fois sur le bouton Pause/Cancel ou une fois sur le bouton Power (alimentation).

Changement des programmes, modificateurs et options

Il est possible de changer les programmes, modificateurs et options à tout moment tant que le bouton Start (mise en marche) n'a pas encore été enfoncé. Tous les modificateurs et toutes les options ne sont pas disponibles avec tous les programmes.

- Un bref signal sonore marque le choix d'un changement.
- Trois brefs signaux sonores marquent le choix d'une combinaison non disponible. La dernière sélection ne sera pas acceptée.

Changement des programmes après avoir appuyé sur Start

1. Appuyer deux fois sur PAUSE/CANCEL (pause/annulation) pour annuler le programme. La laveuse effectuera une vidange.
2. Appuyer sur POWER (alimentation).
3. Sélectionner le programme de lavage désiré.
4. Sélectionner les modificateurs et options désirés.
5. Appuyer sur START (mise en marche).

La laveuse recommence au début du nouveau programme.

REMARQUE : Si on n'appuie pas sur Start en deçà de 5 minutes de la pause de la laveuse, celle-ci s'éteint automatiquement.

Changement des modificateurs et options après avoir appuyé sur Start

Il est possible de changer un modificateur ou une option à tout moment avant que le modificateur ou l'option choisi(e) ne commence en choisissant le modificateur et/ou l'option désiré(e).

REMARQUE : Un signal sonore d'erreur retentira si votre sélection est inappropriée.

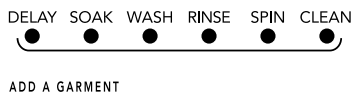
Pour vidanger la laveuse manuellement et essorer la charge

1. Appuyer deux fois sur PAUSE/CANCEL pour annuler le programme de lavage et vidanger la laveuse.
2. Appuyer sur POWER.
3. Tourner le bouton pour sélectionner DRAIN & SPIN (vidange et essorage).
4. Appuyer sur START.

Lorsque l'essorage est terminé, le couvercle se déverrouille. Les articles peuvent être retirés de la laveuse.

Témoins lumineux

Ces témoins lumineux indiquent quelle partie du programme la laveuse est en train d'effectuer. Ils indiquent aussi à quel moment il est possible d'ajouter d'autres vêtements à la charge.



Témoins lumineux

Un témoin lumineux indique le programme, les modificateurs et les options qui ont été sélectionnés.

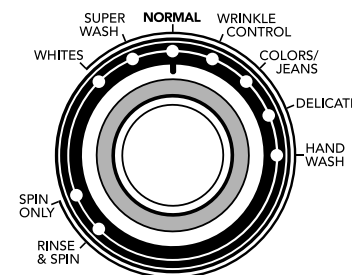
Durée résiduelle estimée

Lorsqu'un programme de lavage commence, la durée résiduelle estimée pour le programme, comprenant les périodes de remplissage et de vidange, s'affiche. Le compte à rebours reste affiché jusqu'à la fin du programme.



Programmes

Tourner le bouton pour choisir le programme de lavage correct pour le type de vêtements à laver. Lorsque le bouton est sur un programme, le témoin lumineux correspondant s'allume. Si les réglages par défaut pour les modificateurs et les options conviennent à votre charge de lavage, appuyer sur Start pour commencer le programme de lavage.



Préréglages de programme

Par commodité, les préréglages de programme fournissent les réglages de soin recommandé pour le tissu pour chaque programme.

Utilisation des préréglages de programme :

1. Appuyer sur POWER (alimentation).
2. Sélectionner le programme désiré en tournant le bouton. Les préréglages de programme seront affichés (voir tableau suivant).

REMARQUE : Les durées préréglées peuvent varier légèrement en fonction du modèle.

3. Appuyer sur START (mise en marche). Le programme de lavage commencera.

Préréglages de programme

| Programme | Minutes pré-réglées | Niveau de saleté* | Temp. lavage/rinçage |
|---|---------------------|-------------------|---------------------------|
| Whites (blancs) | 73 | Très sale | Hot/Cold (chaude/froide) |
| Super Wash (service intense) | 68 | Très sale | Hot/Cold (chaude/froide) |
| Normal | 46 | Normal | Warm/Cold (tiède/froide) |
| Wrinkle Control (tout-aller/pressage permanent) | 46 | Moyen | Warm/Cold (tiède/froide) |
| Colors/Jeans (couleurs/articles foncés) | 45 | Normal | Cold/Cold (froide/froide) |
| Delicate (articles délicats) | 35 | Moyen | Warm/Cold (tiède/froide) |
| Handwash (articles lavables à la main) | 36 | Léger | Cold/Cold (froide/froide) |
| Rinse & Spin (rinçage et essorage) | 33 | Non applicable | Non applicable |
| Spin Only (essorage seulement) | 16 | Non applicable | Non applicable |

*La durée du programme en minutes apparaîtra sur l'afficheur pendant que vous faites les sélections. Une fois qu'on a appuyé sur Start (mise en marche), la durée totale du programme apparaît, incluant la durée estimée pour la vidange et le remplissage.

REMARQUE : Charger uniquement jusqu'en haut du panier. Une surcharge peut causer un nettoyage médiocre. Voir "Mise en marche de la laveuse".

Whites (blancs)

Ce programme introduit l'agent de blanchiment liquide à la charge au moment approprié pour un blanchiment amélioré des tissus blancs très sales. Le programme combine une action de lavage à haute vitesse et un essorage à haute vitesse. L'option Extra Rinse (rinçage supplémentaire) est l'option par défaut pour ce programme et permet d'éliminer efficacement le détergent et l'agent de blanchiment. Pour une élimination optimale des saletés et des taches, un agent de blanchiment liquide doit être utilisé.

Super Wash (service intense)

Utiliser ce programme pour les articles en coton très sales ou robustes. Le programme combine une action de lavage à haute vitesse et un essorage à haute vitesse. L'option Stain Cycle (programme contre les taches) est l'option par défaut pour ce programme, mais elle peut être désactivée. Voir "Changement des programmes, modificateurs et options".

Normal

Utiliser ce programme pour les articles en coton et en lin normalement sales, tels que draps, couvertures et serviettes. Ce programme combine une action de lavage à vitesse moyenne à élevée et un essorage à haute vitesse.

Wrinkle Control (tout-aller/pressage permanent)

Utiliser ce programme pour laver des charges de vêtements qui ne se repassent pas tels que chemises de sport, chemisiers, vêtements de travail tout-aller, pressage permanent et mélanges. Ce programme combine une action de lavage à vitesse moyenne, un essorage à vitesse moyenne et un processus de refroidissement de la charge pour réduire le froissement.

Colors/Jeans (couleurs/articles foncés)

Utiliser ce programme pour les articles foncés ou les tissus naturels teints tels que les jeans ou les articles de coton susceptibles de déteindre. Ce programme combine une action de lavage à vitesse moyenne et un essorage à haute vitesse. Pour des résultats optimaux, utiliser de l'eau froide ou tiède.

Delicate (articles délicats)

Utiliser ce programme pour laver des vêtements légèrement sales pour lesquels l'étiquette de soin indique "Soie lavable en machine" ou "Programme délicat". Ce programme utilise une action de lavage à basse vitesse et un essorage à basse vitesse pour un meilleur soin des tissus et une réduction du froissement.

Pour le lavage d'articles imperméabilisés tels que les couvre-matelas à doublure en plastique, les rideaux de douche, les bâches ou les sacs de couchage imperméables ou imperméabilisés, utiliser le programme Delicate (articles délicats) ou Handwash (lavage à la main) avec le réglage de vitesse d'essorage le plus bas disponible sur votre modèle de laveuse.

Handwash (articles lavables à la main)

Utiliser ce programme pour nettoyer les vêtements peu sales nécessitant un soin spécial ou pour les articles dont l'étiquette indique "Laine lavable en machine". (Consulter les consignes de l'étiquette pour s'assurer que le vêtement est lavable.) Ce programme utilise une action de lavage intermittente à basse vitesse et un essorage à basse vitesse pour le meilleur soin des tissus avec réduction du froissement.

Pour le lavage d'articles imperméabilisés tels que les couvre-matelas à doublure en plastique, les rideaux de douche, les bâches ou les sacs de couchage imperméables ou imperméabilisés, utiliser le programme Delicate (articles délicats) ou Handwash (lavage à la main) avec le réglage de vitesse d'essorage le plus bas disponible sur votre modèle de laveuse.

L'étiquette des vêtements mentionne "Handwash/lavage à la main" parce que :

- Les fibres peuvent être sensibles à l'action de lavage.
- Le tissu contient des teintures sensibles qui peuvent déteindre.

REMARQUE : Certains articles "lavables à la main" rétrécissent naturellement au lavage. Garder ceci à l'esprit en cas d'achat d'articles dont l'étiquette indique "Handwash/lavage à la main". Les articles qui rétrécissent doivent être séchés à plat. Pendant qu'ils sont encore mouillés, mettre ces articles en forme en les étirant délicatement à la taille originale.

Rinse & Spin (rinçage et essorage)

Utiliser cette option pour obtenir un rinçage en profondeur suivi d'un essorage à haute vitesse. L'affichage de la durée inclut une estimation du temps nécessaire pour le remplissage et la vidange de la laveuse.

Quand utiliser Rinse & Spin (rinçage et essorage) :

- Pour les charges qui nécessitent un rinçage uniquement.
- Pour achever un programme après que l'alimentation a été interrompue.

Utilisation ou modification du réglage Rinse & Spin (rinçage et essorage) :

1. Tourner le bouton à RINSE & SPIN jusqu'à ce que le témoin lumineux Rinse & Spin s'allume.
2. Appuyer sur START (mise en marche).

Spin Only (essorage)

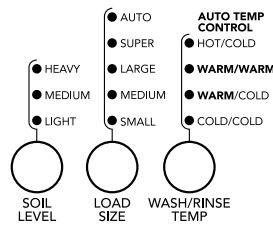
Une vidange et un essorage supplémentaires peuvent aider à diminuer les durées de séchage pour les tissus robustes ou les articles qui nécessitent un soin particulier. L'option Spin Only (essorage) peut également être utilisée pour vidanger l'eau après avoir annulé un programme ou pour terminer un programme après une panne de courant.

Utilisation ou modification du réglage Spin Only (essorage) :

1. Tourner le bouton à SPIN ONLY jusqu'à ce que le témoin lumineux Spin Only s'allume.
2. Appuyer sur START (mise en marche).

Modificateurs

Les modificateurs vous permettent de personnaliser vos programmes et d'économiser de l'énergie.



Soil Level (niveau de saleté)

Le niveau de saleté (durée de lavage) est préréglé pour chaque programme de lavage. Voir "Préréglages de programmes" dans "Programmes". Lorsqu'on appuie sur la touche Soil Level, la durée du programme (en minutes) augmente ou diminue sur l'afficheur de la durée résiduelle estimée et une durée de lavage différente s'affiche. Pour obtenir la durée de lavage minimum, appuyer sur la touche jusqu'à ce que le témoin lumineux proche de Light (léger) s'allume. Il s'agit de la plus courte durée de lavage disponible pour ce programme.

- Pour la plupart des charges, utiliser la durée recommandée dans les préréglages de programme.
- Pour les tissus très sales et robustes, appuyer sur Soil Level (niveau de saleté) pour prolonger la durée de lavage, si nécessaire.
- Pour les tissus peu sales et délicats, appuyer sur Soil Level (niveau de saleté) pour abrégé la durée de lavage, si nécessaire.

Load Size (volume de la charge)

Cette laveuse sélectionne automatiquement le niveau d'eau Auto lorsqu'on choisit ce programme. La caractéristique automatique détecte le volume de la charge et ajoute en conséquence la quantité correcte d'eau. On peut aussi modifier manuellement les réglages de niveau d'eau.

Wash-Rinse Temp (température de lavage/rinçage)

Sélectionner une température de l'eau selon le type de charge à laver. Utiliser l'eau de lavage la plus chaude sans danger pour les tissus. Suivre les instructions sur l'étiquette des vêtements.

Les rinçages à l'eau tiède rendent les charges plus sèches et plus faciles à manipuler que les rinçages à l'eau froide. Cependant, les rinçages à l'eau tiède peuvent augmenter le froissement. Les rinçages à l'eau froide peuvent diminuer le risque de froissement et économisent de l'énergie.

Guide de température

| Température de l'eau de lavage | Tissus suggérés |
|--------------------------------|--|
| Hot (chaude) | Blancs et couleurs claires |
| Warm (tiède) | Couleurs vives |
| Cold (froide) | Couleurs qui déteignent ou s'atténuent |

REMARQUE : Dans les températures d'eau de lavage inférieures à 60°F (15,6°C), les détergents ne se dissolvent pas bien. Les saletés peuvent être difficiles à enlever.

Commande automatique de température

Cette fonction détecte et maintient électroniquement une température uniforme de l'eau de lavage et de rinçage. La commande automatique de température régule l'arrivée d'eau chaude et d'eau froide et est automatiquement activée lorsqu'un programme est sélectionné (Voir "Préréglages de programmes" dans "Programmes").

La commande automatique de température est disponible avec les réglages Warm/Warm (tiède/tiède), Warm/Cold (tiède/froide) et Cold/Cold (froide/froide). La température de l'eau dans les réglages Hot/Cold (chaude/froide) dépend de la température de l'eau aux robinets d'arrivée d'eau.

- La commande automatique de température assure un nettoyage uniforme.
- Les détergents actuels fonctionnent bien à des températures supérieures à 60°F (15,6°C).

Delay Wash (lavage différé) (sur certain modèles)

On peut utiliser la caractéristique Delay Wash lorsqu'on souhaite différer la mise en marche du programme de lavage jusqu'à 8 heures (selon le modèle).

1. Charger la laveuse et remplir les distributeurs.
2. Rabattre le couvercle de la laveuse.
3. Appuyer sur POWER (alimentation).
4. Sélectionner le programme, les modificateurs et les options désirés.
5. Appuyer sur DELAY WASH (lavage différé). 1H (une heure) s'affichera sur la fenêtre d'affichage de la durée. Le témoin lumineux pour Delay Wash s'allumera.



6. Pour un délai plus long, appuyer sur DELAY WASH. Le délai de mise en marche augmentera par incréments d'une heure.

7. Appuyer sur START (mise en marche). Le compte à rebours en heures jusqu'au programme de lavage apparaîtra dans la fenêtre d'affichage de la durée et le témoin lumineux clignotera.

REMARQUE : Le témoin lumineux Start ne clignote pas lorsqu'on sélectionne Delay Wash (lavage différé). Il faut appuyer sur Start pour lancer le compte à rebours de début du programme.

Pour modifier l'heure de lavage différé :

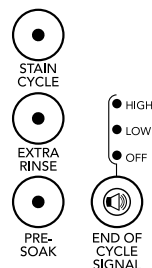
- Appuyer sur PAUSE/CANCEL (pause/annulation).
- Appuyer sur DELAY WASH (lavage différé) pour sélectionner la durée de délai désirée.
- Appuyer sur START (mise en marche) pour commencer le compte à rebours.

Pour annuler le lavage différé :

Appuyer à nouveau sur START (mise en marche) pour mettre le programme en marche immédiatement, ou appuyer deux fois sur PAUSE/CANCEL (pause/annulation).

Options

Utiliser ces touches pour sélectionner les options désirées pour votre programme de lavage.



Stain Cycle (programme contre les taches)

Cette option fournit une action de nettoyage améliorée pour les taches tenaces. Le programme Heavy Duty (service intense) comporte automatiquement l'option Stain Cycle. La sélection de l'option Stain Cycle prolongera le programme d'environ 10 minutes. L'option Stain Cycle doit être activée seulement sur une charge sèche et ne peut pas être sélectionnée alors que le remplissage de la cuve a commencé.

L'option Stain Cycle peut être sélectionnée comme option avec d'autres programmes. Voir le tableau pour les détails.

| Programme | Stain Cycle (programme contre les taches) (Prolonge le programme de lavage) |
|---|--|
| Whites (blancs) | Option |
| Super Wash (service intense) | Par défaut |
| Normal | Option |
| Wrinkle Control (tout-aller/press. permanent) | Option |
| Colors/Jeans (couleurs/articles foncés) | Option |

| Programme | Stain Cycle (programme contre les taches) (Prolonge le programme de lavage) |
|------------------------------------|--|
| Delicate (articles délicats) | Non disponible |
| Handwash (lavage à la main) | Option |
| Rinse & Spin (rinçage et essorage) | Non disponible |
| Spin Only ((essorage seulement) | Non disponible |

Extra Rinse (rinçage supplémentaire)

Un rinçage supplémentaire peut être effectué pour favoriser l'élimination des résidus de détergent ou d'agent de blanchiment sur les vêtements. Cette option fournit un rinçage supplémentaire avec une eau à la même température que pour le premier rinçage. Il s'agit du réglage de rinçage par défaut pour le programme Whites (blancs).

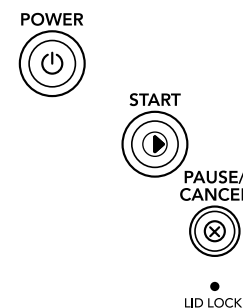
Pre Soak (prétrempage)

Utiliser cette option pour les taches tenaces et les salissures qui nécessitent plus de temps pour être éliminées. Avec cette laveuse, le trempage est différent par rapport aux laveuses traditionnelles. La laveuse vaporise la charge d'eau et de détergent à une vitesse d'essorage extra-basse suivie d'une brève pause. Cette action est répétée. L'option Pre Soak alterne entre une série d'actions d'aspersion suivies d'une pause pour permettre au détergent d'agir sur les taches. La caractéristique Pre Soak est suivie du programme sélectionné. L'utilisation de Pre Soak prolongera le programme de lavage.

Volume du signal de fin de programme

La fin du programme de lavage est indiquée par un signal sonore. Ce signal est utile lorsqu'on retire les articles de la laveuse aussitôt qu'elle s'arrête. Sélectionner On ou Off (activé ou désactivé).

Fonctionnement des commandes



Power (alimentation)

Appuyer sur POWER pour allumer ou éteindre la laveuse.

Start (mise en marche)

Appuyer sur START pour mettre votre laveuse en marche après sélection d'un programme. S'assurer que tous les modificateurs et options désirés ont été sélectionnés. Le couvercle doit être fermé pour que la laveuse se mette en marche.

Pause/Cancel (pause/annulation)

Appuyer une fois sur PAUSE/CANCEL pour mettre la laveuse en pause ou l'arrêter à tout moment. Appuyer une fois sur PAUSE/CANCEL pour déverrouiller le couvercle et ajouter un vêtement. Appuyer sur START pour reprendre le programme là où il s'était arrêté. Appuyer deux fois sur PAUSE/CANCEL pour arrêter le programme de lavage. La laveuse se vidange et s'arrête.

Lid Lock (couvercle verrouillé)

Lorsque le témoin Lid Lock est allumé, le couvercle de la laveuse est verrouillé.

REMARQUE : Il est nécessaire d'attendre que le témoin Lid Lock soit éteint avant de pouvoir ouvrir le couvercle.

Sons normaux

Votre nouvelle laveuse est susceptible de faire des sons que l'appareil précédent ne produisait pas. Comme ces sons ne vous sont pas familiers, ils peuvent vous inquiéter. Ces sons sont normaux.

Pendant le lavage

Si vous sélectionnez l'option Stain Cycle (programme contre les taches), vous entendrez un bruit d'essorage/vaporisation au début du programme.

Pendant la vidange

Si l'eau est évacuée rapidement de la laveuse (en fonction de votre installation), vous pouvez entendre l'air aspiré par la pompe à la fin de la vidange.

Pendant le lavage et l'essorage

Cette laveuse ne comporte pas de transmission. Le moteur fournit un entraînement direct pour l'agitation et l'essorage. Vous entendrez des sons qui sont différents de ceux d'une laveuse conventionnelle.

CONSEILS DE LESSIVAGE

Préparation des vêtements pour le lavage

Suivre les recommandations suivantes pour prolonger la vie de vos vêtements.

- Fermer les fermetures à glissière, les boutons-pression et les crochets pour éviter d'accrocher d'autres articles. Retirer les épingles, boucles et autres objets durs pour éviter d'égratigner l'intérieur de la laveuse. Ôter les garnitures et les ornements non lavables.
- Vider les poches et les retourner.
- Retourner les revers et enlever la charpie et la poussière avec une brosse.
- Retourner les tricotés synthétiques pour éviter le boulochage.
- Attacher les cordons et les ceintures pour empêcher l'emmêlement.
- Raccorder les déchirures, les ourlets défaits et les coutures.
- Traiter les taches.
- Les vêtements tachés ou mouillés doivent être lavés sans délai pour obtenir les meilleurs résultats.

Tri

- Séparer les articles très sales des articles légèrement sales, même si on les lave normalement ensemble. Séparer les articles qui forment de la charpie (serviettes, chenille) des articles qui retiennent la charpie (velours côtelé, synthétiques, pressage permanent). Dans la mesure du possible, retourner les articles qui forment de la charpie.
- Séparer les couleurs foncées des couleurs claires et les articles grand teint des articles qui déteignent.
- Trier en fonction des tissus et de la confection (cotons solides, tricotés, articles délicats).
- Pour le lavage d'articles imperméabilisés tels que les couvre-matelas à doublure en plastique, les rideaux de douche, les bâches ou les sacs de couchage imperméables ou imperméabilisés, utiliser le programme Delicate (articles délicats) ou Handwash (lavage à la main) avec le réglage de vitesse d'essorage le plus bas disponible sur votre modèle de laveuse.

Déchargement

- Retirer les vêtements de la laveuse une fois que le programme est terminé. Des objets en métal comme les fermetures à glissière, les boutons-pression et les boucles peuvent rouiller si on les laisse longtemps dans le panier de la laveuse.

ENTRETIEN DE LA LAVEUSE

Nettoyage de votre laveuse

Utiliser un linge doux, humide ou une éponge pour essuyer les renversements de détergents ou d'eau de Javel à l'extérieur de votre laveuse.

Nettoyer l'intérieur de votre laveuse en mélangeant 1 tasse (250 mL) d'eau de Javel et 2 tasses (500 mL) de détergent. Verser ceci dans votre laveuse et lui faire faire un programme complet à l'eau chaude. Sélectionner le niveau Super Load Size (grande charge). Répéter ce processus au besoin.

Enlever tous les résidus d'eau dure en utilisant seulement des nettoyeurs sans danger pour la laveuse.

Nettoyage du distributeur d'assouplissant de tissu liquide :

1. Pour retirer le distributeur d'assouplissant de tissu de l'agitateur, placer les deux mains derrière la partie supérieure du distributeur d'assouplissant de tissu et le bloquer avec les doigts. Le soulever en le tirant vers soi.
2. Séparer la partie supérieure de la base du distributeur. Rincer les trois parties du distributeur (la base, la tasse interne conique et la partie supérieure) à l'eau tiède.
3. Pour un assemblage facile du distributeur, monter les pièces dans l'ordre inverse.
IMPORTANT : Vérifier que la tasse interne conique est bien droite et insérée complètement dans la partie supérieure du distributeur avant d'installer la base.
4. Réinstaller le distributeur. S'assurer qu'il est bien fixé. Le bord doit être serré contre la partie supérieure de l'agitateur.

REMARQUE : Si votre modèle dispose d'un distributeur d'assouplissant liquide pour tissu, ne pas laver de vêtements lorsque ce distributeur est retiré, et ce afin d'éviter d'endommager la laveuse ou le linge. Ne pas non plus ajouter de détergent ou d'eau de Javel dans ce distributeur; il est destiné à l'assouplissant liquide pour tissu seulement.

Tuyaux d'arrivée d'eau

Remplacer les tuyaux d'arrivée d'eau après 5 ans d'utilisation pour réduire le risque de défaillance intempestive. Inspecter périodiquement les tuyaux; les remplacer en cas de renflement, de déformation, de coupure et d'usure ou si une fuite se manifeste.

Lorsque vous remplacez vos tuyaux d'arrivée d'eau, noter la date de remplacement au marqueur indélébile sur l'étiquette.

Précautions à prendre avant les vacances, un entreposage ou un déménagement

Installer et remettre la laveuse à l'abri du gel. L'eau qui peut rester dans les tuyaux risque d'abîmer la laveuse en temps de gel. Si la laveuse doit faire l'objet d'un déménagement ou de remisage au cours d'une période de gel, préparer l'appareil pour l'hiver.

Entretien en cas de non-utilisation ou de période de vacances :

Faire fonctionner la laveuse seulement lorsqu'on est présent. Si vous devez partir en vacances ou ne pas utiliser la laveuse pendant une période prolongée, vous devez exécuter les opérations suivantes :

- Débrancher la laveuse ou déconnecter la source de courant électrique.

- Fermer l'alimentation d'eau de la laveuse. Ceci aide à éviter les inondations accidentelles (dues à une augmentation de la pression) quand vous êtes absent.

Préparation de la laveuse pour l'hiver :

1. Fermer les deux robinets d'eau.
2. Débrancher et vidanger les tuyaux d'arrivée d'eau.
3. Verser 1 pinte (1 L) d'antigel pour véhicule récréatif dans le panier.
4. Faire fonctionner la laveuse au réglage Rinse & Spin (rinçage et essorage) pendant environ 30 secondes pour mélanger l'antigel à l'eau qui reste.
5. Débrancher la laveuse ou déconnecter la source de courant électrique.

Remise en marche de la laveuse :

1. Vidanger les canalisations d'eau et les tuyaux. Reconnecter les tuyaux d'arrivée d'eau. Ouvrir les deux robinets d'eau.

⚠ AVERTISSEMENT



Risque de choc électrique

Brancher sur une prise à 3 alvéoles reliée à la terre.

Ne pas enlever la broche de liaison à la terre.

Ne pas utiliser un adaptateur.

Ne pas utiliser un câble de rallonge.

Le non-respect de ces instructions peut causer un décès, un incendie ou un choc électrique.

2. Brancher la laveuse ou reconnecter la source de courant électrique.
3. Faire exécuter à la laveuse n'importe quel programme et sélectionner le niveau d'eau Super Load Size pour nettoyer la laveuse et éliminer l'antigel, le cas échéant. Utiliser la moitié de la quantité recommandée par le fabricant pour une charge de taille moyenne.

Transport de la laveuse :

1. Fermer les deux robinets d'eau.
2. Débrancher et vidanger les tuyaux d'arrivée d'eau.
3. Si la laveuse doit être déplacée en temps de gel, mettre une pinte (1 L) d'antigel pour véhicule récréatif dans le panier. Faire fonctionner la laveuse au réglage Rinse & Spin (rinçage et essorage) pendant environ 30 secondes pour mélanger l'antigel à l'eau qui reste.
4. Déconnecter le tuyau de vidange du système de vidange.
5. Débrancher le cordon d'alimentation.

6. Placer les tuyaux d'arrivée d'eau dans le panier.
7. Faire passer le cordon d'alimentation et le tuyau de vidange par le dessus et les mettre dans le panier.
8. Placer l'anneau d'emballage en mousse provenant des matériaux d'expédition sur le dessus de la laveuse. Si vous n'êtes pas en possession de l'anneau d'emballage en mousse original, placer des couvertures lourdes, des serviettes, etc. dans l'ouverture du panier. Fermer le couvercle et le bloquer en utilisant du ruban adhésif vers le bas de l'avant de la laveuse. Ne pas retirer le ruban adhésif du couvercle avant que la laveuse ne soit installée à son nouvel emplacement.

Réinstallation de la laveuse

1. Suivre les "Instructions d'installation" pour choisir l'emplacement, régler l'aplomb de la laveuse et la raccorder.
2. Faire exécuter à la laveuse n'importe quel programme et sélectionner le niveau d'eau Super Load Size pour nettoyer la laveuse et éliminer l'antigel, le cas échéant. Utiliser la moitié de la quantité recommandée par le fabricant pour une charge de taille moyenne.

DÉPANNAGE

Essayer d'abord les solutions suggérées ici, ce qui vous évitera peut-être le coût d'une visite de service...

La laveuse et ses composants

La laveuse affiche des messages codés

- **LF "LF" (La laveuse prend trop de temps pour se remplir)**
Vérifier ce qui suit :
 Les tuyaux d'arrivée d'eau sont-ils déformés ou obstrués?
 Les tamis de la valve d'arrivée d'eau sont-ils dégagés? Appuyer sur PAUSE/CANCEL (pause/annulation) pour remettre l'affichage à zéro.
 Le tuyau de vidange est-il installé correctement? Voir "Raccordement du tuyau de vidange".
- **Ld "Ld" (La laveuse prend trop de temps pour vidanger l'eau provenant de la cuve de lavage)**
Vérifier ce qui suit :
 Le tuyau de vidange est-il déformé ou obstrué?
 Le tuyau de vidange est-il correctement installé? Voir "Raccordement du tuyau de vidange". Appuyer sur PAUSE/CANCEL (pause/annulation) pour remettre l'affichage à zéro.
- **ul "ul" (charge déséquilibrée)**
 Si la charge est déséquilibrée, la laveuse affiche ce code tout en mettant en route une procédure de rééquilibrage de la charge à la fin du programme de lavage et avant l'essorage final. Si le code reste affiché et que le bouton de commande du programme de lavage clignote alors que la procédure de rééquilibrage est terminée, ouvrir le couvercle et redistribuer la charge. Fermer le couvercle et appuyer sur START.
- **oL "oL" (surcharge)**
 La laveuse est-elle surchargée? La laveuse a tenté de se remplir et de commencer le programme de lavage. Si la laveuse est surchargée, elle évacue toute eau et tout détergent ajoutés au cours du remplissage. Pour mettre fin à l'état de surcharge, retirer quelques articles et verser le détergent. Fermer le couvercle et appuyer sur START.
- **Sd "Sd" (excès de mousse détecté)**
Avez-vous versé trop de détergent?
 Toujours mesurer la quantité de détergent. Suivre les directives du fabricant de détergent.

 En cas d'excès de mousse détecté, la laveuse affiche ce code en mettant en route une procédure d'élimination de l'excès de mousse à la fin du programme de lavage. Cette procédure élimine l'excès de mousse et permet un rinçage satisfaisant de vos vêtements.

Si le code reste affiché et que le bouton de commande du programme de lavage clignote alors que la procédure d'élimination de l'excès de mousse est terminée, sélectionner à nouveau le programme désiré en utilisant de l'eau froide. Appuyer sur START (mise en marche). Ne pas ajouter de détergent.

- **ld "lid" (couvercle ouvert)**
 Le couvercle est-il ouvert? Fermer le couvercle pour remettre l'affichage à zéro.
- **HC "HC" (tuyaux d'eau chaude et d'eau froide inversés)**
 Ce code s'affiche à la fin du programme de lavage pour indiquer que les tuyaux d'arrivée d'eau chaude et d'eau froide sont inversés. Si aucun code d'erreur n'apparaît mais que la performance de lavage n'est pas satisfaisante, vérifier que les tuyaux d'arrivée d'eau ne sont pas inversés. Voir "Raccordement des tuyaux d'alimentation".
- **dL "dL" (verrouillage porte/couvercle impossible)**
 Indique que le couvercle n'est pas verrouillé. Vérifier qu'aucun article n'est pris dans le couvercle et empêche sa fermeture. Appuyer une fois sur PAUSE/CANCEL (pause/annulation) pour effacer le code.
- **dU "dU" (déverrouillage porte/couvercle impossible)**
 Y a-t-il un poids excessif sur le couvercle, tel qu'un panier de lessive? Le poids excessif empêchera le couvercle de se déverrouiller. Appuyer une fois sur PAUSE/CANCEL (pause/annulation) pour effacer le code.
- **F-- Code "F##"**
 Appuyer une fois sur PAUSE/CANCEL (pause/annulation) pour effacer le code. Appuyer sur START (mise en marche). Si le code réapparaît, faire un appel de service.

Bruit, vibrations, déséquilibre

- **La laveuse est-elle d'aplomb? La laveuse bascule-t-elle lorsqu'on la pousse contre les coins?**
 La laveuse doit être d'aplomb. Les pieds avant et arrière doivent être bien en contact avec le plancher. Vérifier que les écrous de blocage sont serrés. Voir "Réglage de l'aplomb de la laveuse".

- **Le plancher est-il souple, affaissé ou pas d'aplomb?**
Un plancher souple ou qui n'est pas d'aplomb peut provoquer bruit et vibrations de la part de la laveuse. Un morceau de contreplaqué de ¾" (1,9 cm) sous la laveuse réduira les sons. Voir "Exigences d'emplacement".
- **La charge est-elle équilibrée?**
Répartir uniformément la charge dans le panier de la laveuse et veiller à ce que la hauteur de la charge n'excède pas la rangée de trous supérieure du panier. Voir "Mise en marche de la laveuse".
- **Entendez-vous un cliquetis ou d'autres bruits lors des changements de programme de lavage à vidange ou essorage?**
Lors du déplacement du système d'entraînement ou lorsque le panier de la laveuse se met en place entre les programmes, il est possible d'entendre des bruits que la précédente laveuse ne faisait pas. Ce sont des bruits normaux pour la laveuse.
- **La laveuse fait-elle un bruit de gargouillement ou de bourdonnement?**
Au moment de la vidange, la pompe émet un bourdonnement continu avec des sons réguliers de gargouillement et de pompage à mesure que les dernières quantités d'eau sont évacuées. Ceci est normal.
- **Lavez-vous une petite charge?**
Vous entendrez davantage de bruits d'éclaboussement en cas de lavage de petites charges. Ceci est normal.
- **Le panier de la laveuse se déplace pendant le lavage.**
Ceci est normal.

La laveuse fuit

- **Les tuyaux de remplissage sont-ils serrés?**
- **Les rondelles des tuyaux de remplissage d'eau sont-elles correctement installées?**
Vérifier les deux extrémités de chaque tuyau. Voir "Raccordement des tuyaux d'alimentation".
- **Avez-vous tiré le tuyau de vidange hors de la caisse de la laveuse et installé celui-ci dans un tuyau de rejet à l'égout ou un évier de buanderie?**
Le tuyau de vidange doit être tiré de la caisse de la laveuse et immobilisé au tuyau de rejet à l'égout ou à l'évier de buanderie. Voir "Raccordement du tuyau de vidange" et "Immobilisation du tuyau de vidange".
- **L'évier ou le conduit d'évacuation est-il obstrué?**
L'évier et le tuyau de rejet à l'égout doivent pouvoir drainer 17 gal. (64 L) d'eau par minute. Si l'évier ou le tuyau de rejet à l'égout est obstrué ou ralenti, l'eau peut refouler du tuyau de rejet à l'égout ou de l'évier.

- **De l'eau gicle-t-elle de l'anneau de la cuve ou de la charge?**
La charge de lavage doit être équilibrée et pas surchargée. Si la charge de lavage est déséquilibrée ou surchargée, l'eau entrante peut être déviée de la charge.
- **La laveuse est-elle correctement installée?**
La laveuse doit être d'aplomb. Les pieds doivent être correctement installés et les écrous serrés. Voir "Réglage de l'aplomb de la laveuse".
- **Le programme a-t-il été interrompu et l'option Stain Cycle (programme contre les taches) sélectionnée par la suite?**
L'option Stain Cycle doit être activée sur une charge sèche uniquement. L'option Stain Cycle ne peut pas être sélectionnée après le début du remplissage de la cuve d'eau.
- **Vérifier la plomberie du domicile (évier de buanderie, robinets, tuyau de rejet à l'égout, conduites d'eau) pour voir s'il y a des fuites.**

Fonctionnement du distributeur

- **Les produits de lessive se trouvent-ils dans le distributeur adéquat?**
Verser les quantités appropriées de détergent (en poudre ou liquide), d'agent de blanchiment liquide ou d'assouplissant de tissu dans le distributeur adéquat. Vous pouvez ajouter un agent de blanchiment en poudre ou liquide sans danger pour les couleurs dans le distributeur de détergent. Veiller à utiliser un agent de blanchiment en poudre sans danger pour les couleurs avec un détergent en poudre approprié ou un agent de blanchiment liquide sans danger pour les couleurs avec un détergent liquide approprié. Utiliser seulement un agent de blanchiment liquide dans le distributeur d'agent de blanchiment.
- **Reste-t-il de l'eau au fond d'un distributeur? Le distributeur s'est-il vidangé correctement?**
Une petite quantité d'eau peut être restée dans un distributeur à la fin du programme. Ceci est normal.
- **Avez-vous placé un agent de blanchiment en poudre ou liquide sans danger pour les couleurs dans le distributeur d'agent de blanchiment au chlore liquide (sur certains modèles)?**
Verser un agent de blanchiment en poudre ou liquide sans danger pour les couleurs directement dans le panier de la laveuse. Ne pas utiliser le distributeur d'agent de blanchiment au chlore liquide pour l'agent de blanchiment sans danger pour les couleurs.
- **Le distributeur d'assouplissant de tissu est-il obstrué?**
Nettoyer le distributeur d'assouplissant de tissu. Voir "Entretien de la laveuse".

Fonctionnement de la laveuse

⚠ AVERTISSEMENT



Risque de choc électrique

Brancher sur une prise à 3 alvéoles reliée à la terre.

Ne pas enlever la broche de liaison à la terre.

Ne pas utiliser un adaptateur.

Ne pas utiliser un câble de rallonge.

Le non-respect de ces instructions peut causer un décès, un incendie ou un choc électrique.

La laveuse ne se remplit pas, ne rince pas ou l'agitateur ne tourne pas; la laveuse s'arrête

- **Le cordon d'alimentation est-il branché dans une prise à 3 alvéoles reliée à la terre?**
Brancher le cordon d'alimentation dans une prise à 3 alvéoles reliée à la terre.
- **Utilisez-vous un câble de rallonge?**
Ne pas utiliser un câble de rallonge.
- **La prise est-elle alimentée par le courant électrique?**
Vérifier la source de courant électrique ou appeler un électricien.
- **L'indicateur sur le bouton de commande de programme est-il correctement aligné avec un programme?**
Tourner le bouton de commande de programme légèrement vers la droite.
- **Les tamis de la valve d'arrivée d'eau sont-ils obstrués?**
Couper l'arrivée d'eau et retirer les tuyaux d'arrivée d'eau de la laveuse. Ôter toute pellicule ou particules accumulées. Réinstaller les tuyaux, ouvrir l'arrivée d'eau et vérifier s'il y a des fuites.
- **Les robinets d'eau chaude et d'eau froide sont-ils ouverts?**
Ouvrir les robinets d'eau.
- **Le tuyau d'arrivée d'eau est-il déformé?**
Redresser les tuyaux.
- **Le niveau d'eau semble-t-il trop bas, ou la laveuse ne se remplit-elle pas complètement?**
La caractéristique de niveau d'eau automatique détecte le volume de la charge et ajoute en conséquence la quantité correcte d'eau. Il est possible de sélectionner un niveau d'eau différent en appuyant sur LOAD SIZE (taille de la charge).

- **Utilisez-vous la caractéristique de niveau d'eau automatique?**
La caractéristique automatique détecte le volume de la charge et ajoute en conséquence la quantité correcte d'eau.
- **Un fusible est-il grillé ou le disjoncteur s'est-il déclenché?**
Remplacer le fusible ou réenclencher le disjoncteur. Si le problème persiste, appeler un électricien.
- **La laveuse fait-elle une pause normale au cours du programme?**
La laveuse peut faire une pause au cours de certains programmes. Laisser le programme se poursuivre.
- **La laveuse est-elle surchargée?**
Laver des charges plus petites. Voir "Mise en marche de la laveuse" pour la taille de charge maximale.
- **Y a-t-il un excès de mousse?**
Annuler le programme en cours. Appuyer sur SPIN ONLY (essorage seulement) pour vidanger la charge. Sélectionner à nouveau le programme désiré et appuyer sur START (mise en marche). Ne pas ajouter de détergent. Utiliser de l'eau froide.
- **Le couvercle est-il ouvert?**
Le couvercle doit être fermé lorsque la laveuse est en marche. La laveuse ne fonctionnera pas si le couvercle est ouvert.
- **Avez-vous ajouté des articles à la charge alors que la laveuse avait commencé un programme?**
Une fois que la charge est mouillée, il peut sembler y avoir de la place pour des vêtements supplémentaires. Ne pas ajouter plus de 1 ou 2 vêtements après le début du programme. Pour des résultats optimaux, déterminer le volume de la charge avec des articles secs uniquement.

La laveuse continue de se remplir ou la vidange se poursuit, ou le programme semble bloqué

- **Le dessus du tuyau de vidange est-il plus bas que les boutons de commande sur la laveuse?**
Le dessus du tuyau de vidange doit être au moins à 39" (99 cm) au-dessus du plancher. Voir "Système de vidange".
- **Le tuyau de vidange est-il trop serré dans le tuyau de rejet à l'égout, ou est-il fixé au tuyau de rejet à l'égout avec du ruban adhésif?**
Le tuyau de vidange doit être lâche mais bien fixé. Ne pas sceller le tuyau de vidange avec du ruban adhésif. Le tuyau a besoin d'une ouverture pour l'air. Voir "Instructions d'installation".

La laveuse n'effectue pas de vidange ni d'essorage; l'eau reste dans la laveuse

- **Le tuyau de vidange est-il obstrué ou l'extrémité du tuyau de vidange se trouve-t-elle à plus de 96" (244 cm) au-dessus du plancher?**
Voir "Système de vidange".
- **Le couvercle est-il ouvert?**
Le couvercle doit être fermé lorsque la laveuse est en marche. La laveuse ne fonctionnera pas si le couvercle est ouvert.

Température de lavage/rinçage

- **Les robinets d'arrivée d'eau chaude et froide ont-ils été inversés?**
Si les robinets d'eau chaude et d'eau froide ont été inversés, la laveuse affiche un code d'erreur "HC" à la fin du programme. Si aucun code d'erreur n'apparaît mais que la performance de lavage n'est pas satisfaisante, vérifier que les tuyaux d'arrivée d'eau ne sont pas inversés. Voir "Raccordement des tuyaux d'alimentation".
- **Lavez-vous un nombre important de charges?**
Lorsque la fréquence de charges lavées augmente, la température de l'eau peut baisser lorsqu'on choisit une température chaude ou tiède. Ceci est normal.
- **Possédez-vous une laveuse ENERGY STAR®?**
Les températures de l'eau de lavage peuvent sembler plus froides que celles de votre précédente laveuse. Ceci est normal.
- **La température de l'eau de lavage paraît-elle plus basse que d'habitude?**
Au fur et à mesure de l'avancement du programme, la température de l'eau de lavage diminuera légèrement pour les lavages à l'eau chaude et à l'eau tiède. Ceci est normal.

Pour réduire les faux plis, le rinçage à l'eau tiède est réglé de façon à être plus froid que le lavage à l'eau tiède.

Excès de mousse

- **Y a-t-il un excès de mousse?**
Toujours mesurer la quantité de détergent. Suivre les directives du fabricant de détergent. Si l'eau est très douce, on peut utiliser moins de détergent.
- **Le programme a-t-il été interrompu et l'option Stain Cycle (programme contre les taches) sélectionnée par la suite?**
L'option Stain Cycle doit être activée sur une charge sèche uniquement. L'option Stain Cycle ne peut pas être sélectionnée après le début du remplissage de la cuve d'eau.

L'option Stain Cycle (programme contre les taches) n'a pas été activée durant le programme

- **Avez-vous sélectionné l'option Stain Cycle?**
L'option Stain Cycle doit être sélectionnée pour pouvoir être incluse dans un programme de lavage. Elle doit être activée sur une charge sèche uniquement. L'option Stain Cycle ne peut pas être sélectionnée après le début du remplissage de la cuve d'eau.
- L'option Stain Cycle est une option par défaut dans le programme Super Wash (service intense) et peut être ajoutée aux autres programmes.

Soin des vêtements

Charge trop mouillée

- **Avez-vous utilisé le bon programme pour la charge à laver?**
Choisir un programme avec une vitesse d'essorage plus élevée.
- **Avez-vous utilisé un rinçage à froid?**
Les charges sont plus humides après un rinçage à froid qu'après un rinçage à chaud. Ceci est normal.
- **Avez-vous lavé une très grosse charge?**
Une grosse charge déséquilibrée peut entraîner une réduction de la vitesse d'essorage et laisser les articles mouillés à la fin du programme. Répartir uniformément la charge et veiller à ce que la hauteur de la charge n'excède pas la rangée de trous supérieure du panier.

Résidus ou charpie sur le linge

- **Avez-vous effectué le tri correctement?**
Trier les articles causant la charpie (serviettes, chenille) des articles qui retiennent la charpie (velours côtelé, synthétiques). Trier également en fonction des couleurs.

- **Avez-vous surchargé la laveuse?**
La charge de lavage doit être équilibrée et pas surchargée. Les charges doivent pouvoir culbuter librement. De la charpie ou du détergent en poudre peuvent être coincés dans la charge s'il y a surcharge. Laver des charges plus petites. Voir "Mise en marche de la laveuse" pour la taille de charge maximale.
- **Avez-vous utilisé suffisamment de détergent?**
Suivre les directives du fabricant de détergent. Utiliser suffisamment de détergent pour maintenir la charpie dans l'eau.
- **Avez-vous fait sécher vos vêtements sur un fil à linge?**
Si c'est le cas, attendez-vous à trouver de la charpie sur les vêtements. Le mouvement de l'air et le culbutage d'une sècheuse suppriment la charpie de la charge.
- **Avez-vous laissé du papier ou des mouchoirs en papier dans les poches?**
- **La température de l'eau est-elle inférieure à 60°F (15,6°C)?**
Une eau de lavage dont la température est inférieure à 60°F (15,6°C) peut ne pas dissoudre complètement le détergent.
- **Avez-vous utilisé le niveau de saleté et le programme de lavage appropriés pour la charge?**
La diminution de la durée et de la vitesse de lavage constituent un moyen de réduire la charpie.
- **Avez-vous versé le détergent dans le distributeur?**
Pour des résultats optimaux, utiliser le distributeur pour dissoudre le détergent.

La charge est froissée, entortillée ou enchevêtrée

- **Avez-vous déchargé la laveuse immédiatement?**
Décharger la laveuse dès qu'elle s'arrête.
- **Avez-vous utilisé le bon programme pour la charge à laver?**
Pour réduire le froissement, l'entortillement et l'enchevêtrement, sélectionner un programme avec vitesses de lavage et d'essorage basses, tels que les programmes Delicate (articles délicats) ou Handwash/Wool (lavage à la main/lainages).
- **Avez-vous surchargé la laveuse?**
La charge de lavage doit être équilibrée et pas surchargée. Les charges doivent pouvoir se déplacer librement durant le lavage pour réduire le froissement, l'entortillement et l'enchevêtrement.
- **L'eau de lavage était-elle suffisamment chaude pour réduire le froissement?**
Si c'est sans danger pour la charge, utiliser une eau de lavage tiède ou chaude. Utiliser une eau de rinçage froide.
- **Les robinets d'eau chaude et froide ont-ils été inversés?**
Un rinçage à l'eau chaude suivi d'un essorage provoquera un froissement. Vérifier que les tuyaux d'eau chaude et d'eau froide sont connectés aux bons robinets. Si les robinets d'eau chaude et d'eau froide ont été inversés, la laveuse affiche un code d'erreur "HC" à la fin du programme. Si aucun code d'erreur n'apparaît mais que la performance de lavage n'est pas satisfaisante, vérifier que les tuyaux d'arrivée d'eau ne sont pas inversés. Voir "Raccordement des tuyaux d'alimentation".

Taches, blancs grisâtres, couleurs défraîchies

- **Avez-vous bien trié la charge?**
Le transfert de teinture peut se produire lors du mélange d'articles blancs et de couleur dans une même charge. Séparer les articles de teinte foncée des articles blancs ou clairs.
- **La température de lavage était-elle trop basse?**
Utiliser les lavages à l'eau tiède ou chaude si celle-ci est sans danger pour la charge. S'assurer que le système d'eau chaude est adéquat pour fournir un lavage à l'eau chaude.
- **Avez-vous utilisé suffisamment de détergent, ou avez-vous une eau dure?**
Utiliser plus de détergent pour laver la saleté intense à l'eau froide ou dure. La température de l'eau doit être d'au moins 60°F (15,6°C) pour que le détergent se dissolve et fonctionne correctement. Pour des résultats optimaux, utiliser les quantités recommandées par le fabricant de détergent.
- **Avez-vous suivi les directives du fabricant pour l'addition de détergent et d'assouplissant?**
Mesurer la quantité de détergent et d'assouplissant de tissu. Utiliser suffisamment de détergent pour enlever la saleté et la maintenir en suspension. Diluer l'assouplissant et l'ajouter seulement à la section de rinçage d'un programme. Ne pas laisser couler d'assouplissant de tissu sur les vêtements.
- **La présence de fer (rouille) dans l'eau est-elle supérieure à la moyenne?**
Vous aurez peut-être besoin d'installer un filtre à fer.
- **Avez-vous versé le détergent dans le distributeur?**
Pour des résultats optimaux, utiliser le distributeur pour dissoudre le détergent.

- **Avez-vous versé l'assouplissant de tissu directement sur la charge?**
Utiliser le distributeur d'assouplissant de tissu. Ne pas laisser couler d'assouplissant de tissu sur les vêtements.
- **Avez-vous utilisé une boule distributrice d'assouplissant de tissu?**
Utiliser le distributeur d'assouplissant de tissu fourni avec la laveuse. Les boules distributrices ne fonctionnent pas correctement avec cette laveuse.
- **Avez-vous déchargé la laveuse immédiatement?**
Pour éviter le transfert de teinture, décharger la laveuse dès qu'elle s'arrête.
- **Avez-vous versé le détergent, l'agent de blanchiment liquide ou l'assouplissant de tissu trop tard dans le programme?**
Le détergent, l'agent de blanchiment liquide et l'assouplissant de tissu doivent être ajoutés aux distributeurs avant la mise en marche de la laveuse.

Endommagement des vêtements

- **Les articles pointus ont-ils été retirés des poches avant le lavage?**
Vider les poches, fermer les fermetures à glissière, les boutons pression et les agrafes avant le lavage pour éviter d'accrocher et de déchirer la charge.
- **Les cordons et les ceintures ont-ils été attachés pour éviter l'enchevêtrement?**
Les bretelles et les cordons peuvent facilement s'em mêler dans la charge, ce qui cause une déformation des coutures et des déchirements.
- **Les articles étaient-ils endommagés avant le lavage?**
Raccorder les déchirures et reprendre les fils cassés des coutures avant le lavage.
- **Avez-vous surchargé la laveuse?**
La charge de lavage doit être équilibrée et pas surchargée. Les charges doivent pouvoir culbuter librement durant le lavage.
- **Avez-vous versé l'agent de blanchiment correctement?**
Ne pas verser l'agent de blanchiment directement sur la charge. Essuyer tous les renversements d'agent de blanchiment. Un agent de blanchiment non dilué endommagera les tissus. Ne pas placer des articles de la charge sur le dessus du distributeur d'agent de blanchiment lorsque vous chargez et déchargez la laveuse (sur certains modèles). Ne pas utiliser plus que la quantité recommandée par le fabricant pour une charge complète.
- **Avez-vous suivi les instructions d'entretien du fabricant indiquées sur l'étiquette du vêtement?**

ASSISTANCE OU SERVICE

Avant de faire un appel pour assistance ou service, veuillez vérifier la section “Dépannage”. Cette vérification peut vous faire économiser le coût d'une visite de service. Si vous avez encore besoin d'aide, suivez les instructions ci-dessous.

Lors d'un appel, veuillez connaître la date d'achat et les numéros de modèle et de série complets de votre appareil. Ces renseignements nous aideront à mieux répondre à votre demande.

Si vous avez besoin de pièces de rechange

Si vous avez besoin de commander des pièces de rechange, nous vous recommandons d'utiliser seulement des pièces spécifiées par l'usine. Les pièces spécifiées par l'usine conviendront et fonctionneront bien car elles sont fabriquées selon la même précision utilisée pour fabriquer chaque nouvel appareil MAYTAG®.

Pour localiser des pièces spécifiées par l'usine dans votre région, composer le numéro de téléphone d'assistance à la clientèle suivant ou appeler le centre de service désigné le plus proche.

Aux États-Unis

Téléphoner sans frais au Centre d'assistance à la clientèle de Maytag Services, LLC au : **1-800-688-9900**.

Nos consultants fournissent de l'assistance pour :

- Caractéristiques et spécifications de notre gamme complète d'appareils ménagers.
- Renseignements d'installation.
- Procédés d'utilisation et d'entretien.
- Vente d'accessoires et de pièces de rechange.
- Assistance spécialisée au client (langue espagnole, malentendants, malvoyants, etc.).
- Références aux concessionnaires, compagnies de service de réparation et distributeurs de pièces de rechange locaux. Les techniciens de service désignés par Maytag® appliances sont formés pour remplir la garantie des produits et fournir un service après garantie partout aux États-Unis.

Pour localiser la compagnie de service désignée par Maytag® appliances dans votre région, vous pouvez également consulter les Pages jaunes.

Pour plus d'assistance

Si vous avez besoin de plus d'assistance, vous pouvez écrire à Maytag® appliances en soumettant toute question ou problème à :

Maytag Services, LLC
ATTN: CAIR® Center
P.O. Box 2370
Cleveland, TN 37320-2370

Dans votre correspondance, veuillez indiquer un numéro de téléphone où l'on peut vous joindre dans la journée.

Au Canada

Veuillez appeler sans frais le Centre d'interaction avec la clientèle de Whirlpool Canada LP au : **1-800-807-6777** ou visitez notre site web à **www.whirlpool.ca**.

Nos consultants vous renseigneront sur les sujets suivants :

- Caractéristiques et spécifications sur toute notre gamme d'appareils électroménagers.
- Consignes d'utilisation et d'entretien.
- Ventes d'accessoires et pièces de rechange.
- Références aux marchands locaux, aux distributeurs de pièces de rechange et aux compagnies de service. Les techniciens de service désignés par Whirlpool Canada LP sont formés pour remplir la garantie des produits et fournir un service après la garantie, partout au Canada.

Pour plus d'assistance

Si vous avez besoin de plus d'assistance, vous pouvez soumettre par écrit toute question ou préoccupation à Whirlpool Canada LP à l'adresse suivante :

Centre d'interaction avec la clientèle
Whirlpool Canada LP
1901 Minnesota Court
Mississauga, Ontario L5N 3A7

Veuillez inclure dans votre correspondance un numéro de téléphone où on peut vous joindre dans la journée.

GARANTIE DES GROS APPAREILS MÉNAGERS MAYTAG CORPORATION

GARANTIE LIMITÉE DE UN AN

Pendant un an à compter de la date d'achat, lorsque ce gros appareil ménager est utilisé et entretenu conformément aux instructions jointes à ou fournies avec le produit, Maytag Corporation ou Maytag Limited (ci-après désignées "Maytag") paiera pour les pièces spécifiées par l'usine et la main-d'oeuvre pour corriger les vices de matériaux ou de fabrication. Le service doit être fourni par une compagnie de service désignée par Maytag. Cette garantie limitée s'applique exclusivement lorsque l'appareil est utilisé dans le pays où il a été acheté.

MAYTAG NE PRENDRA PAS EN CHARGE

1. Les visites de service pour rectifier l'installation du gros appareil ménager, montrer à l'utilisateur comment utiliser l'appareil, remplacer ou réparer des fusibles ou rectifier le câblage ou la plomberie du domicile.
2. Les visites de service pour réparer ou remplacer les ampoules électriques de l'appareil, les filtres à air ou les filtres à eau. Ces pièces consommables ne sont pas couvertes par la garantie.
3. Les réparations lorsque le gros appareil ménager est utilisé à des fins autres que l'usage unifamilial normal.
4. Les dommages imputables à : accident, modification, usage impropre ou abusif, incendie, inondation, actes de Dieu, installation fautive ou installation non conforme aux codes d'électricité ou de plomberie, ou l'utilisation de produits non approuvés par Maytag.
5. Toute perte d'aliments due à une défaillance du réfrigérateur ou du congélateur.
6. Le coût des pièces de rechange et de la main-d'oeuvre pour les appareils utilisés hors des États-Unis ou du Canada.
7. Le ramassage et la livraison. Ce gros appareil ménager est conçu pour être réparé à domicile.
8. Les réparations aux pièces ou systèmes résultant d'une modification non autorisée faite à l'appareil.
9. Les frais de transport pour le service d'un produit dans les régions éloignées.
10. La dépose et la réinstallation de votre appareil si celui-ci est installé dans un endroit inaccessible ou n'est pas installé conformément aux instructions d'installation fournies.
11. Le coût des pièces de rechange et de la main-d'oeuvre lorsque l'appareil est utilisé dans un pays autre que le pays où il a été acheté.

CLAUSE D'EXONÉRATION DE RESPONSABILITÉ AU TITRE DES GARANTIES IMPLICITES; LIMITATION DES RECOURS

LE SEUL ET EXCLUSIF RECOURS DU CLIENT DANS LE CADRE DE LA PRÉSENTE GARANTIE LIMITÉE CONSISTE EN LA RÉPARATION PRÉVUE CI-DESSUS. LES GARANTIES IMPLICITES, Y COMPRIS LES GARANTIES APPLICABLES DE QUALITÉ MARCHANDE ET D'APTITUDE À UN USAGE PARTICULIER, SONT LIMITÉES À UN AN OU À LA PLUS COURTE PÉRIODE AUTORISÉE PAR LA LOI. MAYTAG N'ASSUME AUCUNE RESPONSABILITÉ POUR LES DOMMAGES FORTUITS OU INDIRECTS. CERTAINES JURIDICTIONS NE PERMETTENT PAS L'EXCLUSION OU LA LIMITATION DES DOMMAGES FORTUITS OU INDIRECTS, OU LES LIMITATIONS DE LA DURÉE DES GARANTIES IMPLICITES DE QUALITÉ MARCHANDE OU D'APTITUDE À UN USAGE PARTICULIER, DE SORTE QUE CES EXCLUSIONS OU LIMITATIONS PEUVENT NE PAS S'APPLIQUER DANS VOTRE CAS. CETTE GARANTIE VOUS CONFÈRE DES DROITS JURIDIQUES SPÉCIFIQUES ET VOUS POUVEZ ÉGALEMENT JOUIR D'AUTRES DROITS QUI PEUVENT VARIER D'UNE JURIDICTION À UNE AUTRE.

À l'extérieur du Canada et des 50 États des États-Unis, cette garantie ne s'applique pas. Contacter votre marchand Maytag autorisé pour déterminer si une autre garantie s'applique.

Si vous avez besoin de service, voir d'abord la section "Dépannage" du Guide d'utilisation et d'entretien. Après avoir vérifié la section "Dépannage", de l'aide supplémentaire peut être trouvée en vérifiant la section "Assistance ou service" ou en appelant Maytag. Aux É.-U., composer le **1-800-688-9900**. Au Canada, composer le **1-800-807-6777**. 9/06

Conservez ce manuel et votre reçu de vente ensemble pour référence ultérieure. Pour le service sous garantie, vous devez présenter un document prouvant la date d'achat ou d'installation.

Inscrivez les renseignements suivants au sujet de votre gros appareil ménager pour mieux vous aider à obtenir assistance ou service en cas de besoin. Vous devrez connaître le numéro de modèle et le numéro de série au complet. Vous trouverez ces renseignements sur la plaque signalétique située sur le produit.

Nom du marchand _____

Adresse _____

Numéro de téléphone _____

Numéro de modèle _____

Numéro de série _____

Date d'achat _____

W10092684A

© 2007

All rights reserved.
Todos los derechos reservados.
Tous droits réservés.

MAYTAG and the "M" Symbol are registered trademarks of Maytag Limited in Canada.

MAYTAG y el símbolo "M" son marcas registradas de Maytag Limited en Canadá.

MAYTAG et le symbole "M" sont des marques déposées de Maytag Limited au Canada.

All other marks are trademarks of Maytag Corporation or its related companies.

Todas las otras marcas son marcas de comercio de Maytag Corporation o sus compañías asociadas.
Toutes les autres marques sont des marques de commerce de Maytag Corporation ou de ses compagnies affiliées.

1/07

Printed in U.S.A.
Impreso en EE.UU.
Imprimé aux É.-U.