



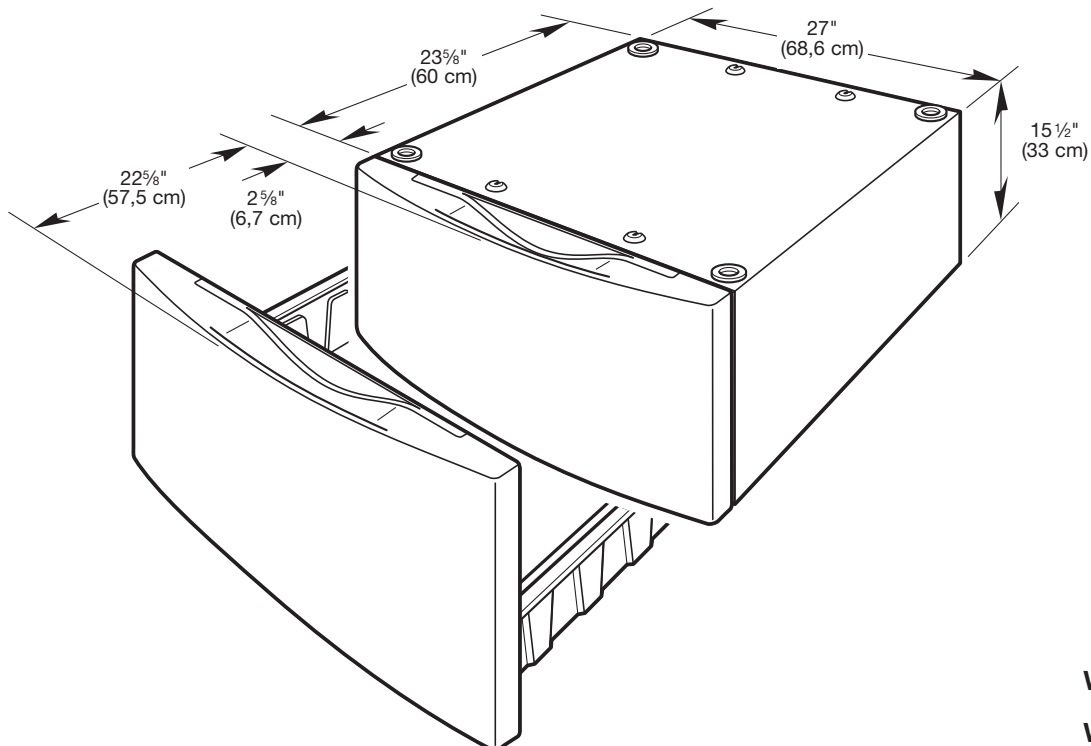
15.5" (39.4 cm) Washer/Dryer Pedestal

Installation Instructions

Piédestal de 15,5" (39,4 cm) pour laveuse/sécheuse

Instructions d'installation

Table of Contents/Table des matières.....2/14



ENGLISH FRANÇAIS

W10198562A

W10205335A SP

TABLE OF CONTENTS

PEDESTAL SAFETY	2	INSTALLATION INSTRUCTIONS	5
INSTALLATION REQUIREMENTS	3	Installing the Pedestal	5
Tools and Parts	3	WARRANTY	7
Location Requirements	3		
Before Installing Your Pedestal	3		

PEDESTAL SAFETY

Your safety and the safety of others are very important.

We have provided many important safety messages in this manual and on your appliance. Always read and obey all safety messages.



This is the safety alert symbol.

This symbol alerts you to potential hazards that can kill or hurt you and others.

All safety messages will follow the safety alert symbol and either the word "DANGER" or "WARNING."

These words mean:

 **DANGER**

You can be killed or seriously injured if you don't immediately follow instructions.

 **WARNING**

You can be killed or seriously injured if you don't follow instructions.

All safety messages will tell you what the potential hazard is, tell you how to reduce the chance of injury, and tell you what can happen if the instructions are not followed.

INSTALLATION REQUIREMENTS

Tools and Parts

Gather the required tools and parts before starting installation. Read and follow the instructions provided with any tools listed here.

Tools needed

- Utility knife
- 1/4" hex-head ratchet or open-end wrench (leveling legs)
- 3/8" hex-head ratchet or nut driver (for sheet metal screws)
- 1/4" nutdriver
- 3/8" open-end wrench (for leveling leg locknuts)
- Pliers or slip-joint pliers (for drain and inlet hoses)
- Level
- Bucket

Parts supplied

Remove the parts package from the pedestal drawer. This package contains 4, #12 x 3/8" hex head sheet metal screws and drawer divider.

Location Requirements

 **WARNING**



Explosion Hazard

Keep flammable materials and vapors, such as gasoline, away from dryer.

Place dryer at least 18 inches (46 cm) above the floor for a garage installation.

Failure do to so can result in death, explosion, or fire.

NOTE: If dryer and pedestal assembly is located in a garage, 3" (7.6 cm) must be added under pedestal so that dryer is 18" (46 cm) above garage floor.

Before Installing Your Pedestal

IMPORTANT: If your washer and dryer are already installed, they must be uninstalled.

If you need to uninstall your washer or dryer, see your Installation Instructions that came with your model for tools required.

Uninstalling Your Washer

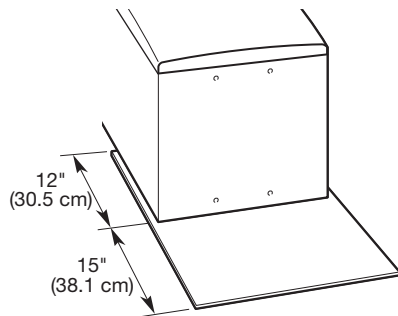
! WARNING

Excessive Weight Hazard

Use two or more people to move and uninstall washer.
Failure to do so can result in back or other injury.

1. Turn off the hot and cold water faucets.
2. Unplug the power supply cord or disconnect power.
3. Slowly loosen the fill hoses at the faucets to relieve the water pressure. Use a sponge or towel to absorb the released water.
4. Remove the hot and cold fill hoses from the back of the washer. Drain the water from the hoses into a bucket.
5. Squeeze the ears of the drain hose clamp with pliers to open and slide the clamp down the hose. Disconnect the drain hose from the washer and drain any water in the hose into a bucket.
6. Pull the washer away from wall so it can be tipped on its back.

7. Protect the floor with a large piece of cardboard cut from the pedestal carton. Lay the washer on its back (make sure that the power supply cord is not under the washer) so that the cardboard is under the entire lower back edge of the washer. An additional small amount of water will drain out of the washer when it is tipped back.



8. Go to "Installing the Pedestal" section.

Uninstalling Your Electric Dryer

! WARNING



Electrical Shock Hazard

Disconnect power before servicing.
Replace all panels before operating.
Failure to do so can result in death or electrical shock.

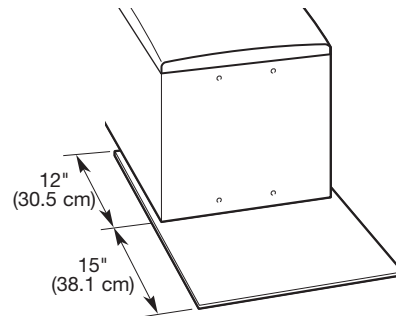
1. Unplug the power supply cord.
2. Disconnect wiring if dryer is direct wired.

! WARNING

Excessive Weight Hazard

Use two or more people to move and uninstall dryer.
Failure to do so can result in back or other injury.

3. Pull the dryer away from the wall enough to loosen the vent clamp. Loosen the clamp and gently remove the exhaust vent from the dryer exhaust outlet.
4. Pull the dryer away from wall so that it can be tipped onto its back.
5. Protect the floor with a large piece of cardboard cut from the pedestal carton. Lay the dryer on its back (make sure that the power supply cord is not under the dryer) so that the cardboard is under the entire lower back edge of the dryer.
6. Go to "Installing the Pedestal" section.



Uninstalling Your Gas Dryer

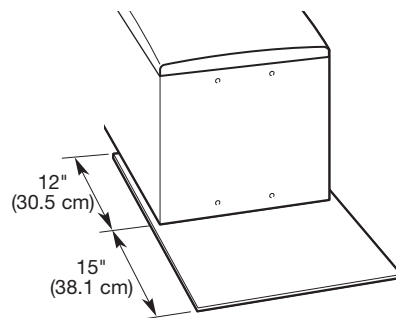
1. Unplug the power supply cord or disconnect power.
2. Turn off the gas supply.

! WARNING

Excessive Weight Hazard

Use two or more people to move and uninstall dryer.
Failure to do so can result in back or other injury.

3. Pull the dryer away from the wall enough to loosen the vent clamp. Loosen the clamp and gently remove the exhaust vent from the dryer exhaust outlet.
4. Disconnect the flexible gas supply line from the dryer. Put a piece of tape over the open ends of the gas line connection fittings.
5. Pull the dryer away from wall so that it can be tipped onto its back.
6. Protect the floor with a large piece of cardboard cut from the pedestal carton. Lay the dryer on its back (make sure that the power supply cord is not under the dryer) so that the cardboard is under the entire lower back edge of the dryer.
7. Go to "Installing the Pedestal" section.



Washer or Dryer Is In Its Packaging

! WARNING

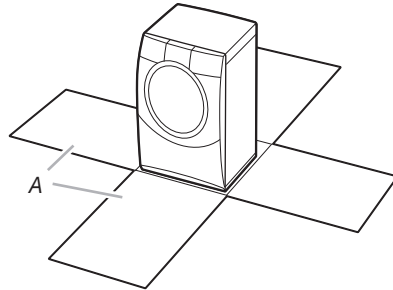
Excessive Weight Hazard

**Use two or more people to move washer or dryer.
Failure to do so can result in back or other injury.**

1. Position the packaged washer or dryer close to its final position. Cut the packaging as follows:

Washer: Cut plastic film along dotted cut line around the base. Do not remove the packaging.

Dryer: Cut carton around top and down corners along dotted cut lines. Lay all four carton sides on floor. Discard carton top and corner posts.



A. Carton sides

IMPORTANT: Leave carton bottom underneath dryer.

2. Lay washer or dryer on its back.

NOTE: When laying the washer on its back, hold the bottom cap down on the floor. Do not remove the plastic film, corner posts or top cap. These protect the floor and washer back.

When laying the dryer on its back, the floor and dryer back are protected by pieces of the carton.

INSTALLATION INSTRUCTIONS

Installing the Pedestal

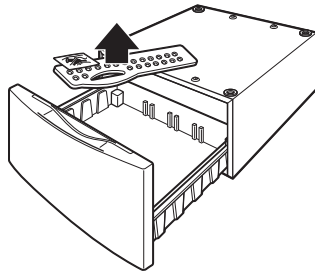
Follow these instructions to install the pedestal on a washer or dryer.

! WARNING

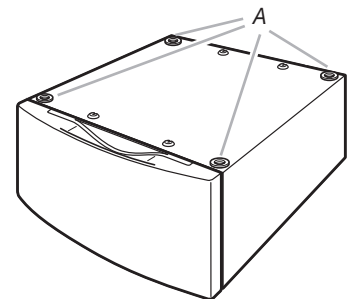
Excessive Weight Hazard

**Use two or more people to move and install pedestal.
Failure to do so can result in back or other injury.**

1. Open the pedestal drawer as far as possible and remove the contents. This package contains 4, #12 x 5/8" hex head sheet metal screws used in step 5 and divider pack.

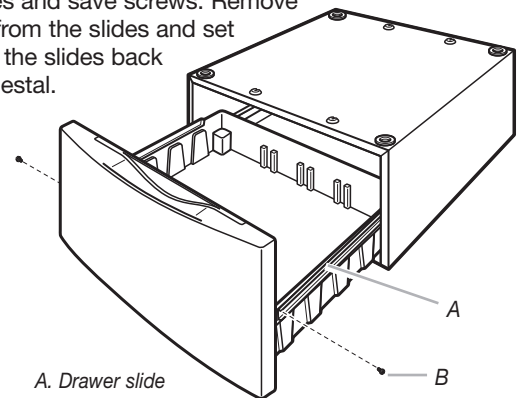


2. Verify the 4 spacer pads are installed on the top of the pedestal.



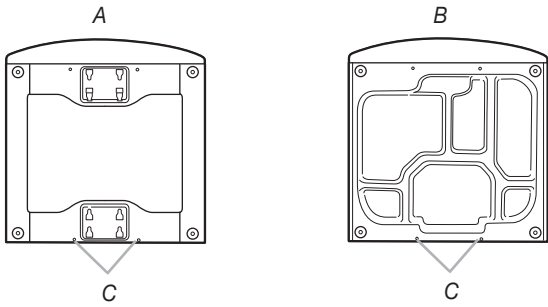
A. Spacer pads

3. Using 1/4 nut driver, remove the hex-head screws from both drawer slides and save screws. Remove the drawer from the slides and set aside. Push the slides back into the pedestal.



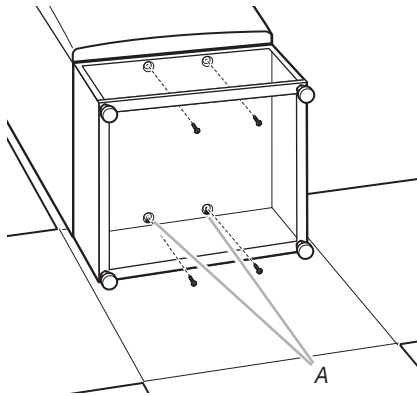
A. Drawer slide
B. Hex-head Screw

4. If your washer or dryer has feet installed, remove them. Do not install the feet that came with a new washer or dryer.
5. Partially install 2 of the #12 x 5/8" hex head sheet metal screws in the lower holes. Leave a space of about 3/8" (1 cm) between the screw head and the bottom of the washer or dryer.



A. Washer bottom
B. Dryer bottom
C. Install screws

6. Tip the pedestal on its back and move it against the washer or dryer bottom. Slide the pedestal's keyhole slots over the lower 2 partially installed screws.

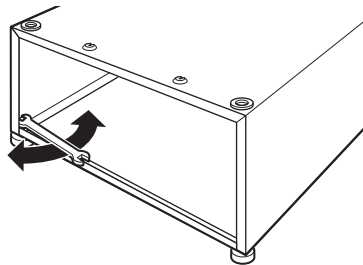


A. Lower screws in keyhole slots.

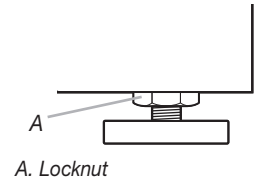
7. Position the pedestal toward the front of the washer or dryer and install the 2 remaining hex-head sheet metal screws. Do not tighten completely.
8. Align the sides of the pedestal so that they are even with the sides of the washer or dryer. Reach inside the pedestal drawer opening and securely tighten all 4 pedestal screws.
9. Tip the washer or dryer back to its upright position. Remove and discard packaging including washer's plastic film, corner posts and top cap.

10. Slide the washer or dryer close to its final location.
11. Follow the Installation Instructions that came with your model to finish installing or reinstalling your washer or dryer (hoses, vents, etc.).
12. Level the washer or dryer from side to side and front to back. **NOTE:** Make sure all 4 pedestal feet are in solid contact with the floor.

Place a level on the top. Locate the 1/4" hex-head screws on the top of each pedestal foot. Reach inside the pedestal and use a 1/4" hex-head ratchet or open-end wrench to adjust the feet up or down as needed to level the washer or dryer. The washer or dryer should not move front to back, side to side, or diagonally when pushed on its top edges.



13. When the washer or dryer is level, use a 3/16" open-end wrench to securely tighten all 4 locknuts against the pedestal. The locknuts must be tightened to prevent vibration. Recheck that the washer or dryer is level. The washer or dryer should not move front to back, side to side, or diagonally when pushed on its top edges.



A. Locknut

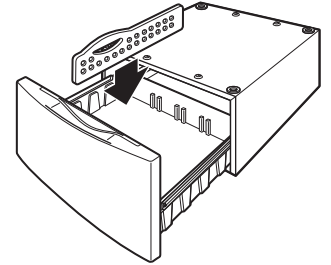
14. Pull both drawer slides out and reassemble the drawer to the drawer slides with the 2 hex-head screws.

NOTE: Use of the divider is optional.

15. Remove the divider from the bag.

16. Place the divider in the drawer at the desired location.

17. Close the drawer.



Before you call for Service

This pedestal must be installed only with the appropriate Whirlpool® or Maytag® front-load washer or dryer. This pedestal must be operated according to the instructions provided with your Whirlpool or Maytag front-load washer or dryer's Owner's manual or Use and Care Guide. Before you call for service, please locate your model and serial number for both the pedestal and the corresponding Whirlpool or Maytag front-load washer or dryer.

For any pedestal purchased for use with a Whirlpool or Maytag front-load washer or dryer, the Whirlpool Corporation Pedestal Warranty applies.

WHIRLPOOL CORPORATION PEDESTAL WARRANTY

ONE-YEAR LIMITED WARRANTY

For one year from the date of purchase, when this appliance is operated and maintained according to instructions attached to or furnished with the product and is used with the appropriate Whirlpool Corporation front-load washer or dryer, Whirlpool or Whirlpool Canada (hereafter "Whirlpool") will pay for factory specified replacement parts and repair labor to correct defects in materials or workmanship. Service must be provided by a Whirlpool designated service company.

ITEMS WHIRLPOOL WILL NOT PAY FOR

1. Service calls to correct the installation of your appliance, to instruct you how to use your appliance, to replace or repair house fuses or to correct house wiring or plumbing.
2. Repairs when your appliance is used for other than normal, single-family household use.
3. Damage resulting from accident, alteration, misuse, abuse, fire, flood, acts of God, improper installation, installation not in accordance with electrical or plumbing codes, or use of products not approved by Whirlpool.
4. Replacement parts or repair labor costs for units operated outside the United States or Canada.
5. Pickup and delivery. This appliance is designed to be repaired in the home.
6. Repairs to parts or systems resulting from unauthorized modifications made to the appliance.
7. Expenses for travel and transportation for product service in remote locations.
8. The removal and reinstallation of your appliance if it is installed in an inaccessible location or is not installed in accordance with published installation instructions.

DISCLAIMER OF IMPLIED WARRANTIES; LIMITATION OF REMEDIES

DISCLAIMER OF IMPLIED WARRANTIES; LIMITATION OF REMEDIES

CUSTOMER'S SOLE AND EXCLUSIVE REMEDY UNDER THIS LIMITED WARRANTY SHALL BE PRODUCT REPAIR AS PROVIDED HEREIN. IMPLIED WARRANTIES, INCLUDING WARRANTIES OF MERCHANTABILITY OR FITNESS FOR A PARTICULAR PURPOSE, ARE LIMITED TO ONE YEAR OR THE SHORTEST PERIOD ALLOWED BY LAW. WHIRLPOOL SHALL NOT BE LIABLE FOR INCIDENTAL OR CONSEQUENTIAL DAMAGES. SOME STATES AND PROVINCES DO NOT ALLOW THE EXCLUSION OR LIMITATION OF INCIDENTAL OR CONSEQUENTIAL DAMAGES, OR LIMITATIONS ON THE DURATION OF IMPLIED WARRANTIES OF MERCHANTABILITY OR FITNESS, SO THESE EXCLUSIONS OR LIMITATIONS MAY NOT APPLY TO YOU. THIS WARRANTY GIVES YOU SPECIFIC LEGAL RIGHTS AND YOU MAY ALSO HAVE OTHER RIGHTS, WHICH VARY FROM STATE TO STATE OR PROVINCE TO PROVINCE.

Outside the 50 United States and Canada, this warranty does not apply. Contact your authorized Whirlpool dealer to determine if another warranty applies. If you need service, in the U.S.A., call 1-800-422-1230. In Canada, call 1-800-807-6777.

4/06

Keep this book and your sales slip together for future reference. You must provide proof of purchase or installation date for in-warranty service.

Write down the following information about your major appliance to better help you obtain assistance or service if you ever need it. You will need to know your complete model number and serial number. You can find this information on the model and serial number label located on the product.

Dealer name _____

Address _____

Phone number _____

Model number _____

Serial number _____

Purchase _____

TABLE DES MATIÈRES

SÉCURITÉ DU PIÉDESTAL	17	INSTRUCTIONS D'INSTALLATION	20
EXIGENCES D'INSTALLATION	18	Installation du piédestal	20
Outillage et pièces	18	UTILISATION DU PIÉDESTAL	22
Exigences d'emplacement	18	GARANTIE	23
Avant l'installation du piédestal	18		

SÉCURITÉ DU PIÉDESTAL

Votre sécurité et celle des autres est très importante.

Nous donnons de nombreux messages de sécurité importants dans ce manuel et sur votre appareil ménager. Assurez-vous de toujours lire tous les messages de sécurité et de vous y conformer.



Voici le symbole d'alerte de sécurité.

Ce symbole d'alerte de sécurité vous signale les dangers potentiels de décès et de blessures graves à vous et à d'autres.

Tous les messages de sécurité suivront le symbole d'alerte de sécurité et le mot "DANGER" ou "AVERTISSEMENT". Ces mots signifient :

⚠ DANGER

Risque possible de décès ou de blessure grave si vous ne suivez pas immédiatement les instructions.

⚠ AVERTISSEMENT

Risque possible de décès ou de blessure grave si vous ne suivez pas les instructions.

Tous les messages de sécurité vous diront quel est le danger potentiel et vous disent comment réduire le risque de blessure et ce qui peut se produire en cas de non-respect des instructions.

EXIGENCES D'INSTALLATION

Outillage et pièces

Rassembler les outils et pièces nécessaires avant de commencer l'installation. Lire et suivre les instructions de sécurité fournies avec les outils indiqués ici.

Outillage nécessaire

- couteau utilitaire
- cliquet à tête hexagonale ou clé plate de 1/4" (pour les pieds de nivellement)
- cliquet à tête hexagonale de 5/16" ou tourne-écrou (pour les vis à tôle)
- tourne-écrou de 1/4"
- clé plate de 5/16" (pour les contre-écrous des pied de nivellement)
- pince ou pince à joint coulissant (pour les tuyaux d'évacuation de d'alimentation)
- niveau
- seau

Pièces fournies

Retirer le sachet de pièces du tiroir du piédestal. Ce sachet contient 4 vis de tôle n° 12 x 5/16" à tête hexagonale, une cloison de tiroir, et une tablette de tiroir.

Exigences d'emplacement

⚠ AVERTISSEMENT



Risque d'explosion

Garder les matières et les vapeurs inflammables, telle que l'essence, loin de la sècheuse.

Placer la sècheuse au moins 46 cm (18 po) au-dessus du plancher pour une installation dans un garage.

Le non-respect de ces instructions peut causer un décès, une explosion ou un incendie.

NOTE : Si l'ensemble de la sècheuse et du piédestal se trouve dans un garage, il faut ajouter 3" (7,6 cm) en dessous du piédestal pour que la sècheuse soit à 18" (46 cm) au-dessus du plancher du garage.

Avant l'installation du piédestal

IMPORTANT : Si la sècheuse et la laveuse ont déjà été installées, elles doivent être désinstallées.

Si l'on a besoin de désinstaller la laveuse ou la sècheuse, voir les Instructions d'installation fournies avec le modèle pour les outils nécessaires.

Désinstallation de la laveuse

AVERTISSEMENT

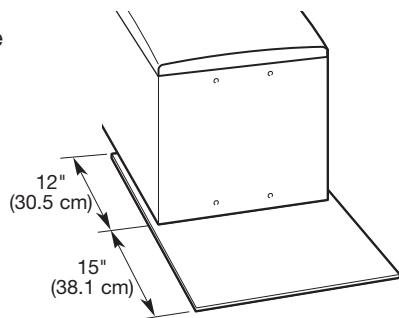
Risque du poids excessif

Utiliser deux ou plus de personnes pour déplacer et désinstaller la laveuse.

Le non-respect de cette instruction peut causer une blessure au dos ou d'autre blessure.

1. Fermer les robinets d'eau chaude et d'eau froide.
2. Débrancher le cordon d'alimentation électrique ou déconnecter la source de courant électrique.
3. Desserrer lentement les tuyaux de remplissage sur les robinets pour relâcher la pression d'eau. Utiliser une éponge ou un essuie-tout pour absorber l'eau qui s'est déversée.
4. Retirer les tuyaux de remplissage d'eau chaude et d'eau froide de l'arrière de la laveuse. Vidanger l'eau provenant des tuyaux dans un seau.
5. Appuyer sur les extrémités de la bride du tuyau d'évacuation à l'aide de la pince pour ouvrir et faire glisser la bride le long du tuyau. Déconnecter le tuyau d'évacuation de la laveuse et vidanger toute eau restée dans le tuyau dans un seau.
6. Éloigner la laveuse du mur afin de pouvoir la faire basculer et la poser sur le dos.

7. Protéger le sol à l'aide d'un grand morceau de carton découpé dans le carton du piédestal. Allonger la laveuse sur le dos (s'assurer que le cordon d'alimentation n'est pas sous la laveuse) de manière à ce que le carton protège la totalité de l'arête inférieure arrière de la laveuse.



Une petite quantité d'eau supplémentaire sera évacuée de la laveuse lorsqu'on la basculera vers l'arrière.

8. Se reporter à la section "Installation du piédestal".

Désinstallation de la sècheuse électrique

1. Débrancher le cordon d'alimentation électrique.

AVERTISSEMENT



Risque de choc électrique

Déconnecter la source de courant électrique avant l'entretien.

Replacer pièces et panneaux avant de faire la remise en marche.

Le non-respect de ces instructions peut causer un décès ou un choc électrique.

2. Débrancher les câbles si la sècheuse est reliée directement.

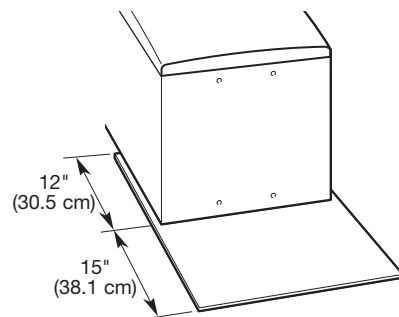
AVERTISSEMENT

Risque du poids excessif

Utiliser deux ou plus de personnes pour déplacer et désinstaller la sècheuse.

Le non-respect de cette instruction peut causer une blessure au dos ou d'autre blessure.

3. Éloigner suffisamment la sècheuse du mur pour pouvoir desserrer la bride d'aération. Desserrer la bride et retirer avec précaution le conduit d'évacuation de la bouche d'évacuation de la sècheuse.
4. Éloigner la sècheuse du mur afin de pouvoir la faire basculer et la poser sur le dos.
5. Protéger le sol à l'aide d'un grand morceau de carton découpé dans le carton du piédestal. Allonger la sècheuse sur le dos (s'assurer que le cordon d'alimentation n'est pas sous la sècheuse) de manière à ce que le carton protège la totalité de l'arête inférieure arrière de la sècheuse.



6. Se reporter à la section "Installation du piédestal".

Désinstallation de la sècheuse à gaz

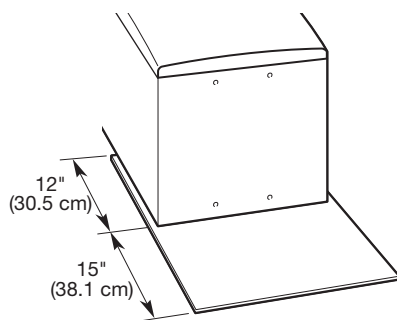
⚠ AVERTISSEMENT

Risque du poids excessif

Utiliser deux ou plus de personnes pour déplacer et désinstaller la sècheuse.

Le non-respect de cette instruction peut causer une blessure au dos ou d'autre blessure.

1. Débrancher le cordon d'alimentation électrique ou déconnecter la source de courant électrique.
2. Couper l'alimentation en gaz.
3. Éloigner suffisamment la sècheuse du mur pour pouvoir desserrer la bride d'aération. Desserrer la bride et retirer avec précaution le conduit d'évacuation de la bouche d'évacuation de la sècheuse.
4. Déconnecter le tuyau flexible d'alimentation en gaz de la sècheuse. Placer un morceau de ruban adhésif sur les extrémités ouvertes des raccords à compression de la canalisation de gaz.
5. Éloigner la sècheuse du mur afin de pouvoir la faire basculer et la poser sur le dos.
6. Protéger le sol à l'aide d'un grand morceau de carton découpé dans le carton du piédestal. Allonger la sècheuse sur le dos (s'assurer que le cordon d'alimentation n'est pas sous la sècheuse) de manière à ce que le carton protège la totalité de l'arête inférieure arrière de la sècheuse.
7. Se reporter à la section "Installation du piédestal".



La laveuse ou la sècheuse est dans son emballage

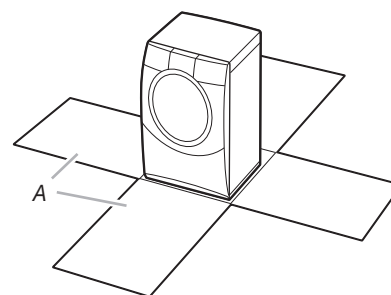
⚠ AVERTISSEMENT

Risque du poids excessif

Utiliser deux ou plus de personnes pour déplacer la laveuse ou la sècheuse.

Le non-respect de cette instruction peut causer une blessure au dos ou d'autre blessure.

1. Placer la laveuse ou la sècheuse emballée à son emplacement final. Découper l'emballage comme suit :
Laveuse : Découper la pellicule de plastique le long de la ligne de pointillés autour de la base. Ne pas enlever l'emballage.
Sècheuse : Découper le carton autour du dessus jusqu'aux coins le long de la ligne de pointillés. Disposer les 4 côtés du carton sur le sol. Jeter le dessus du carton et les coins de protection.



A. Côtés du carton

IMPORTANT : Laisser le fond du carton sous la sècheuse.

2. Allonger la laveuse ou la sècheuse sur le dos.

NOTE : Lorsqu'on allonge la laveuse sur le dos, maintenir l'embout inférieur sur le sol. Ne pas enlever la pellicule de plastique, les coins protecteurs, ni l'embout supérieur. Ces derniers protègent le sol et l'arrière de la laveuse.

Lorsqu'on allonge la sècheuse sur le dos, le sol et l'arrière de la sècheuse sont protégés par les morceaux de carton.

INSTRUCTIONS D'INSTALLATION

Installation du piédestal

Suivre ces instructions pour installer le piédestal sur une laveuse ou une sècheuse.

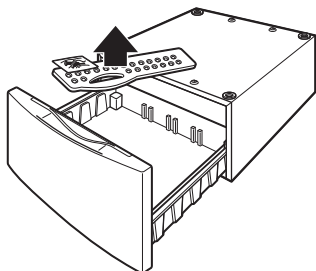
AVERTISSEMENT

Risque du poids excessif

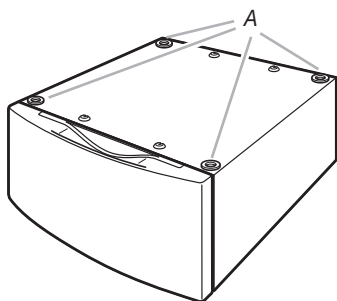
Utiliser deux ou plus de personnes pour déplacer et installer le piédestal.

Le non-respect de cette instruction peut causer une blessure au dos ou d'autre blessure.

1. Ouvrir le tiroir du piédestal aussi loin que possible et vider son contenu. Ce sachet contient 4 vis de tôlerie n° 12 x 5/8" à tête hexagonale utilisées à l'étape 5 et la cloison de tiroir.

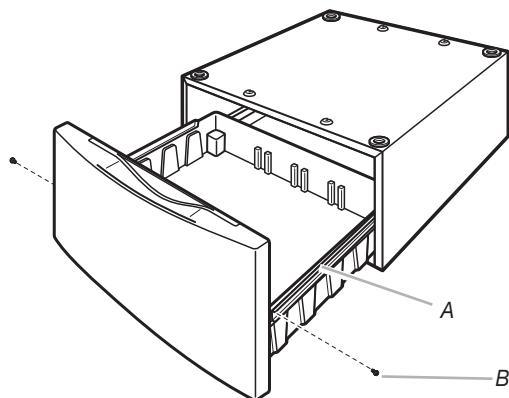


2. Vérifier que les quatre cales d'espacement sont installées sur la partie supérieure du piédestal.



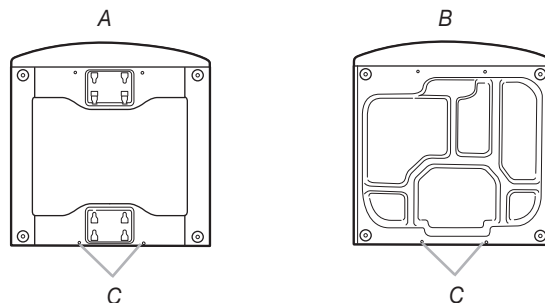
A. Cales d'espacement

3. Using 1/4 nut driver, remove the hex-head screws from both drawer slides and save screws. Remove the drawer from the slides and set aside. Push the slides back into the pedestal.



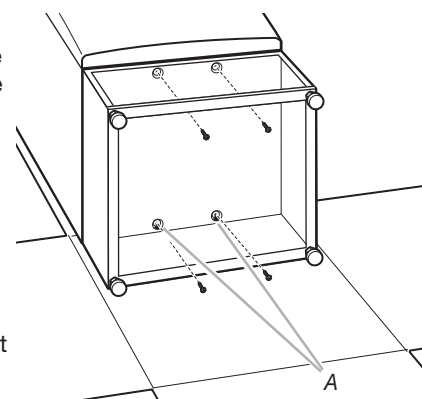
A. Glissière du tiroir
B. Vis à tête hexagonale

4. Si des pieds sont installés sur la laveuse ou la sècheuse, les enlever. Ne pas installer les pieds livrés avec une nouvelle laveuse ou une nouvelle sècheuse.
5. Installer partiellement les 2 vis n° 12 x 5/8" à tête hexagonale pour tôle dans les trous inférieurs. Laisser un espace d'environ 3/8" (1 cm) entre la tête de la vis et le fond de la laveuse ou de la sècheuse.



A. Fond de la laveuse
B. Fond de la sècheuse
C. Installer les vis

6. Incliner le piédestal sur sa partie arrière et le déplacer contre le fond de la laveuse ou de la sècheuse. Faire glisser les trous en poire du piédestal sur les 2 vis inférieures partiellement installées.

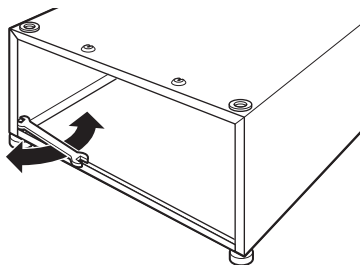


7. Positionner le piédestal vers l'avant de la laveuse ou de la sècheuse et installer les 2 vis à tête hexagonale pour tôle restantes. Ne pas serrer complètement.

A. Vis inférieures dans les trous en poire

8. Aligner les côtés du piédestal pour qu'ils soient de niveau avec les côtés de la laveuse ou de la sècheuse. Atteindre l'intérieur de l'ouverture du tiroir du piédestal et serrer solidement les 4 vis du piédestal.
9. Ramener la laveuse ou la sècheuse à sa position verticale initiale en l'inclinant. Retirer et jeter l'emballage incluant la pellicule en plastique de la laveuse, les coins de protection et l'embout supérieur.
10. Faire glisser la laveuse ou la sècheuse à son emplacement final.
11. Suivre les Instructions d'installation fournies avec votre modèle pour terminer l'installation ou la réinstallation de la laveuse ou de la sècheuse (tuyaux, évacuation, etc.)

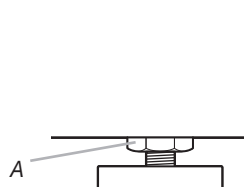
- 12.** Mettre la laveuse ou la sècheuse d'aplomb de façon latérale puis de l'avant vers l'arrière. The washer or dryer should not move front to back, side to side, or diagonally when pushed on its top edges.



NOTE : S'assurer que les 4 pieds de piédestal sont bien en contact avec le plancher.

Placer un niveau sur la partie supérieure. Localiser les vis de 1/4" à tête hexagonale en haut de chaque pied de piédestal. Atteindre l'intérieur du piédestal et utiliser un cliquet de 1/4" à tête hexagonale ou une clé plate pour ajuster les pieds vers le haut ou vers le bas de façon à établir l'aplomb de la laveuse ou de la sècheuse.

- 13.** Une fois la laveuse ou la sècheuse d'aplomb, utiliser une clé plate de 5/16" pour fixer solidement les 4 contre-écrous contre le piédestal. Les contre-écrous doivent être serrés pour empêcher les vibrations.



A. Contre-écrous

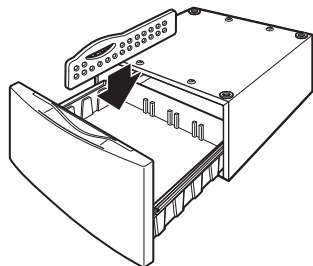
- 14.** Pull both drawer slides out and reassemble the drawer to the drawer slides with the 2 hex-head screws.

NOTE : L'utilisation de la cloison est facultative.

- 15.** Remove the divider from the bag.

- 16.** Place the divider in the drawer at the desired location.

- 17.** Fermer le tiroir.



Avant de faire un appel de service

Ce piédestal doit être installé seulement avec la laveuse ou sècheuse à chargement frontal appropriée de marque Whirlpool® ou Maytag®. Ce piédestal doit être utilisé conformément aux instructions du Manuel du propriétaire ou du Guide d'utilisation et d'entretien de votre laveuse ou sècheuse à chargement frontal de marque Whirlpool ou Maytag. Avant de faire un appel de service, veuillez repérer les numéros de modèle et de série pour le piédestal et la laveuse ou sècheuse correspondante à chargement frontal de marque Whirlpool ou Maytag.

Pour tout piédestal acheté pour utilisation avec une laveuse ou sècheuse à chargement frontal de marque Whirlpool ou Maytag, c'est la garantie du piédestal Whirlpool Corporation qui s'applique.

GARANTIE DU PIÉDESTAL WHIRLPOOL CORPORATION

GARANTIE LIMITÉE DE UN AN

Pendant un an à compter de la date d'achat, lorsque cet appareil ménager est utilisé et entretenu conformément aux instructions jointes à ou fournies avec le produit et utilisé avec la laveuse ou sècheuse à chargement frontal Whirlpool Corporation appropriée, Whirlpool ou Whirlpool Canada (ci-après désignées "Whirlpool") paiera pour les pièces de rechange spécifiées par l'usine et la main-d'œuvre pour corriger les vices de matériaux ou de fabrication. Le service doit être fourni par une compagnie de service désignée par Whirlpool.

WHIRLPOOL NE PRENDRA PAS EN CHARGE

1. Les visites de service pour rectifier l'installation de l'appareil, montrer à l'utilisateur comment utiliser l'appareil, remplacer ou réparer des fusibles ou rectifier le câblage ou la plomberie du domicile.
2. Les réparations lorsque l'appareil est utilisé à des fins autres que l'usage unifamilial normal.
3. Les dommages imputables à : accident, modification, usage impropre ou abusif, incendie, inondation, actes de Dieu, installation fautive ou installation non conforme aux codes d'électricité ou de plomberie, ou l'utilisation de produits non approuvés par Whirlpool.
4. Le coût des pièces de rechange et de la main-d'œuvre pour les appareils utilisés hors des États-Unis ou du Canada.
5. Le ramassage et la livraison. Cet appareil est conçu pour être réparé à domicile.
6. Les réparations aux pièces ou systèmes résultant d'une modification non autorisée faite à l'appareil.
7. Les frais de voyage et de transport pour le service d'un produit dans les régions éloignées.
8. La dépose et la réinstallation de votre appareil si celui-ci est installé dans un endroit inaccessible ou n'est pas installé conformément aux instructions d'installation fournies.

CLAUSE D'EXONÉRATION DE RESPONSABILITÉ AU TITRE DES GARANTIES IMPLICITES; LIMITATION DES RECOURS

CLAUSE D'EXONÉRATION DE RESPONSABILITÉ AU TITRE DES GARANTIES IMPLICITES; LIMITATION DES RECOURS
LE SEUL ET EXCLUSIF RECOURS DU CLIENT DANS LE CADRE DE LA PRÉSENTE GARANTIE LIMITÉE CONSISTE EN LA RÉPARATION PRÉVUE CI-DESSUS. LES GARANTIES IMPLICITES, Y COMPRIS LES GARANTIES APPLICABLES DE QUALITÉ MARCHANDE ET D'APTITUDE À UN USAGE PARTICULIER, SONT LIMITÉES À UN AN OU À LA PLUS COURTE PÉRIODE AUTORISÉE PAR LA LOI. WHIRLPOOL N'ASSUME AUCUNE RESPONSABILITÉ POUR LES DOMMAGES FORTUITS OU INDIRECTS. CERTAINES JURIDICTIONS NE PERMETTENT PAS L'EXCLUSION OU LA LIMITATION DES DOMMAGES FORTUITS OU INDIRECTS, OU LES LIMITATIONS DE LA DURÉE DES GARANTIES IMPLICITES DE QUALITÉ MARCHANDE OU D'APTITUDE À UN USAGE PARTICULIER, DE SORTE QUE CES EXCLUSIONS OU LIMITATIONS PEUVENT NE PAS S'APPLIQUER DANS VOTRE CAS. CETTE GARANTIE VOUS CONFÈRE DES DROITS JURIDIQUES SPÉCIFIQUES ET VOUS POUVEZ ÉGALEMENT JOUIR D'AUTRES DROITS QUI PEUVENT VARIER D'UNE JURIDICTION À UNE AUTRE.

À l'extérieur du Canada et des 50 États des États-Unis, cette garantie ne s'applique pas. Contacter votre marchand Whirlpool autorisé pour déterminer si une autre garantie s'applique. Pour le service aux États-Unis, composer le 1-800-422-1230.

Au Canada, composer le 1-800-807-6777.

4/06

Conservez ce manuel et votre reçu de vente pour référence ultérieure. Pour l'entretien sous garantie, vous devez présenter un document prouvant la date d'achat ou d'installation.

Inscrivez les renseignements suivants au sujet de votre gros appareil ménager pour mieux vous aider à obtenir assistance ou réparation en cas de besoin. Vous devrez connaître le numéro de modèle et le numéro de série au complet. Vous trouverez ces renseignements sur la plaque signalétique située sur le produit.

Nom du marchand _____

Adresse _____

Numéro de téléphone _____

Numéro de modèle _____

Numéro de série _____

Date d'achat _____