

INSTALLATION INSTRUCTIONS 30" (76.2 CM) FREESTANDING GAS RANGES

INSTRUCTIONS D'INSTALLATION DES CUISINIÈRES À GAZ AUTOPORTANTES DE 30" (76,2 CM)

Table of Contents/Table des matières

RANGE SAFETY	2	SÉCURITÉ DE LA CUISINIÈRE	20
INSTALLATION REQUIREMENTS	4	EXIGENCES D'INSTALLATION	22
Tools and Parts.....	4	Outillage et pièces.....	22
Location Requirements	4	Exigences d'emplacement.....	22
Electrical Requirements.....	6	Spécifications électriques.....	24
Gas Supply Requirements.....	6	Spécifications de l'alimentation en gaz	24
INSTALLATION INSTRUCTIONS	8	INSTRUCTIONS D'INSTALLATION	26
Unpack Range.....	8	Déballage de la cuisinière	26
Adjust Leveling Legs	8	Réglage des pieds de nivellement.....	26
Install Anti-Tip Bracket	9	Installation de la bride antibasculement	27
Make Gas Connection.....	9	Raccordement au gaz.....	27
Verify Anti-Tip Bracket Location.....	10	Vérification de l'emplacement de la bride antibasculement	28
Level Range.....	10	Réglage de l'aplomb de la cuisinière.....	29
Electronic Ignition System.....	11	Système d'allumage électronique	29
Replace Oven Racks and Storage Drawer	12	Réinstallation des grilles de four et du tiroir de remisage	31
Complete Installation.....	12	Achever l'installation	31
GAS CONVERSIONS	13	CONVERSIONS POUR CHANGEMENT DE GAZ	32
LP Gas Conversion.....	13	Conversion de Gaz naturel à Propane.....	32
Natural Gas Conversion	16	Conversion pour l'alimentation au gaz naturel	35

IMPORTANT:

Installer: Leave installation instructions with the homeowner.
Homeowner: Keep installation instructions for future reference.

IMPORTANT :

Installateur : Remettre les instructions d'installation au propriétaire.
Propriétaire : Conserver les instructions d'installation pour référence ultérieure.

RANGE SAFETY

Your safety and the safety of others are very important.

We have provided many important safety messages in this manual and on your appliance. Always read and obey all safety messages.



This is the safety alert symbol.

This symbol alerts you to potential hazards that can kill or hurt you and others.

All safety messages will follow the safety alert symbol and either the word "DANGER" or "WARNING." These words mean:

⚠ DANGER

You can be killed or seriously injured if you don't immediately follow instructions.

⚠ WARNING

You can be killed or seriously injured if you don't follow instructions.

All safety messages will tell you what the potential hazard is, tell you how to reduce the chance of injury, and tell you what can happen if the instructions are not followed.

WARNING: If the information in this manual is not followed exactly, a fire or explosion may result causing property damage, personal injury or death.

- Do not store or use gasoline or other flammable vapors and liquids in the vicinity of this or any other appliance.
- **WHAT TO DO IF YOU SMELL GAS:**
 - Do not try to light any appliance.
 - Do not touch any electrical switch.
 - Do not use any phone in your building.
 - Immediately call your gas supplier from a neighbor's phone. Follow the gas supplier's instructions.
 - If you cannot reach your gas supplier, call the fire department.
- Installation and service must be performed by a qualified installer, service agency or the gas supplier.

WARNING: Gas leaks cannot always be detected by smell.

Gas suppliers recommend that you use a gas detector approved by UL or CSA.

For more information, contact your gas supplier.

If a gas leak is detected, follow the "What to do if you smell gas" instructions.

In the State of Massachusetts, the following installation instructions apply:

- Installations and repairs must be performed by a qualified or licensed contractor, plumber, or gasfitter qualified or licensed by the State of Massachusetts.
- If using a ball valve, it shall be a T-handle type.
- A flexible gas connector, when used, must not exceed 3 feet.



⚠️ WARNING

Tip Over Hazard

A child or adult can tip the range and be killed.

Connect anti-tip bracket to rear range foot.

Reconnect the anti-tip bracket, if the range is moved.

Failure to follow these instructions can result in death or serious burns to children and adults.

INSTALLATION REQUIREMENTS

Tools and Parts

Gather the required tools and parts before starting installation. Read and follow the instructions provided with any tools listed here.

Tools needed

- Tape measure
- Phillips screwdriver
- Flat-blade screwdriver
- 1/8" flat-blade screwdriver
- Level
- Drill
- Wrench or pliers
- Pipe wrench
- 1 5/16" combination wrench
- 1/8" (3.2 mm) drill bit (for wood floors)
- Marker or pencil
- Pipe-joint compound resistant to LP gas
- 3/16" (4.8 mm) carbide-tipped masonry drill bit (for concrete/ceramic floors)
- Noncorrosive leak-detection solution

For LP/Natural Gas Conversions

- 1/2" combination wrench
- 9/32" (7.0 mm) nut driver
- Masking tape

Parts supplied

Check that all parts are included.

- LP/Natural Gas Conversion Kit (taped near left rear leg, inside storage drawer compartment)
- 2 - Burner grates
- 5 - Burner caps
- 2 - Oven racks (3 on some models)
- 2 - #12 x 1 5/8" screws (for mounting anti-tip bracket)
- Anti-tip bracket (taped inside storage drawer)

Anti-tip bracket must be securely mounted to the back wall or floor. Thickness of flooring may require longer screws to anchor bracket to subfloor. Longer screws are available from your local hardware store.

Parts needed

Check local codes and consult gas supplier. Check existing gas supply and electrical supply. See "Electrical Requirements" and "Gas Supply Requirements" sections.

Location Requirements

IMPORTANT: Observe all governing codes and ordinances. Do not obstruct flow of combustion and ventilation air.

- It is the installer's responsibility to comply with installation clearances specified on the model/serial rating plate. The model/serial rating plate is located behind the storage drawer on the right-hand side of the oven frame.
- The range should be located for convenient use in the kitchen.
- Recessed installations must provide complete enclosure of the sides and rear of the range.
- To eliminate the risk of burns or fire by reaching over heated surface units, cabinet storage space located above the surface units should be avoided. If cabinet storage is to be provided, the risk can be reduced by installing a range hood or microwave hood combination that projects horizontally a minimum of 5" (12.7 cm) beyond the bottom of the cabinets.
- All openings in the wall or floor where range is to be installed must be sealed.
- Cabinet opening dimensions that are shown must be used. Given dimensions are minimum clearances.
- The floor anti-tip bracket must be installed. To install the anti-tip bracket shipped with the range, see "Install Anti-Tip Bracket" section.
- Grounded electrical supply is required. See "Electrical Requirements" section.
- Proper gas supply connection must be available. See "Gas Supply Requirements" section.
- Contact a qualified floor covering installer to check that the floor covering can withstand at least 200°F (93°C).
- Use an insulated pad or 1/4" (0.64 cm) plywood under range if installing range over carpeting.

IMPORTANT: To avoid damage to your cabinets, check with your builder or cabinet supplier to make sure that the materials used will not discolor, delaminate or sustain other damage. This oven has been designed in accordance with the requirements of UL and CSA International and complies with the maximum allowable wood cabinet temperatures of 194° (90°C).

Mobile Home - Additional Installation Requirements

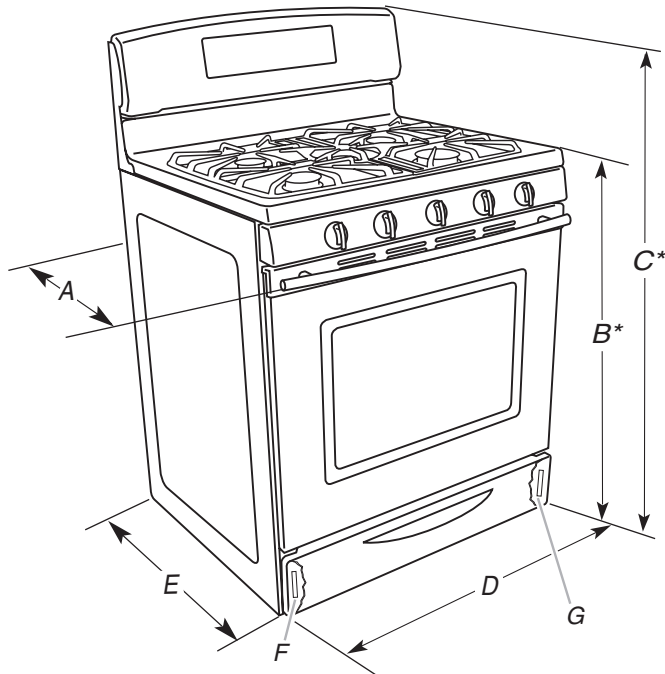
The installation of this range must conform to the Manufactured Home Construction and Safety Standard, Title 24 CFR, Part 3280 (formerly the Federal Standard for Mobile Home Construction and Safety, Title 24, HUD Part 280). When such standard is not applicable, use the Standard for Manufactured Home Installations, ANSI A225.1/NFPA 501A or with local codes.

In Canada, the installation of this range must conform with the current standards CAN/CSA-A240-latest edition, or with local codes.

Mobile home installations require:

- When this range is installed in a mobile home, it must be secured to the floor during transit. Any method of securing the range is adequate as long as it conforms to the standards listed above.

Product Dimensions



- A. 28½" (72.4 cm) to 29" (73.7 cm) depth with handle to backguard standoffs.
29" (73.7 cm) depth with handle (KitchenAid models only)
- B. 35⅝" (90.5 cm) cooktop height (maximum) with leveling legs screwed all the way in*
- C. 47⅞" (119.7 cm) overall height (maximum) with leveling legs screwed all the way in*
- D. 29⅞" (75.9 cm) width
- E. 26¾" (67.9 cm) depth to background standoffs
- F. Model/serial number plate (located behind the storage drawer on the left-hand side of the oven frame)
- G. Rating number plate (located behind the storage drawer on the right-hand side of the oven frame)

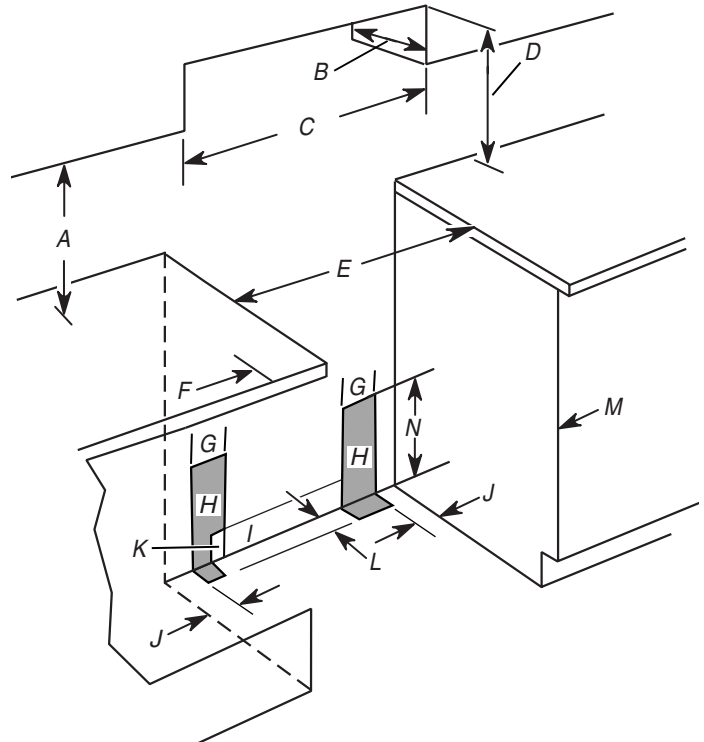
*Range can be raised approximately 1" (2.5 cm) by adjusting the leveling legs.

Cabinet Dimensions

Cabinet opening dimensions shown are for 25" (64.0 cm) countertop depth, 24" (61.0 cm) base cabinet depth and 36" (91.4 cm) countertop height.

IMPORTANT: If installing a range hood or microwave hood combination above the range, follow the range hood or microwave hood combination installation instructions for dimensional clearances above the cooktop surface.

Range may be installed with zero clearance to combustible construction at the rear and on the sides below the cooktop.



- A. 18" (45.7 cm) upper cabinet to countertop
- B. 13" (33.0 cm) upper cabinet depth
- C. 30" (76.2 cm) min. opening width
- D. For minimum clearance to the top of the cooktop, see NOTE.
- E. 30 ⅞" (76.5 cm) min. opening width
- F. 3" (7.6 cm) min. clearance from both sides of the range to the side wall or other combustible material
- G. 6" (15.2 cm) width of H (area for gas and electric)
- H. Recommended area for gas and electric installation
- I. 6" (15.2 cm) height of notched area in H
- J. 3⅝" (8.4 cm) distance from side of range to H
- K. 3" (7.6 cm) width of notched area in H
- L. 3" (7.6 cm) distance from wall
- M. Cabinet door or hinges should not extend into the cutout.
- N. 19" (48.3 cm) height of H

NOTE: 24" (61.0 cm) minimum when bottom of wood or metal cabinet is covered by not less than ¼" (0.64 cm) flame retardant millboard covered with not less than No. 28 MSG sheet steel, 0.015" (0.4 mm) stainless steel, 0.024" (0.6 mm) aluminum or 0.020" (0.5 mm) copper.

30" (76.2 cm) minimum clearance between the top of the cooking platform and the bottom of an uncovered wood or metal cabinet.

Electrical Requirements

⚠ WARNING



Electrical Shock Hazard

Plug into a grounded 3 prong outlet.

Do not remove ground prong.

Do not use an adapter.

Do not use an extension cord.

Failure to follow these instructions can result in death, fire, or electrical shock.

IMPORTANT: The range must be electrically grounded in accordance with local codes and ordinances, or in the absence of local codes, with the National Electrical Code, ANSI/NFPA 70 or Canadian Electrical Code, CSA C22.1.

If codes permit and a separate ground wire is used, it is recommended that a qualified electrical installer determine that the ground path is adequate.

A copy of the above code standards can be obtained from:

National Fire Protection Association
One Batterymarch Park
Quincy, MA 02269

CSA International
8501 East Pleasant Valley Road
Cleveland, OH 44131-5575

- A 120 volt, 60 Hz., AC only, 15-amp fused, electrical circuit is required. A time-delay fuse or circuit breaker is also recommended. It is recommended that a separate circuit serving only this range be provided.
- Electronic ignition systems operate within wide voltage limits, but proper grounding and polarity are necessary. Check that the outlet provides 120-volt power and is correctly grounded.
- The wiring diagram is located on the back of the range in a clear plastic bag.

Gas Supply Requirements

⚠ WARNING



Explosion Hazard

Use a new CSA International approved gas supply line.

Install a shut-off valve.

Securely tighten all gas connections.

If connected to LP, have a qualified person make sure gas pressure does not exceed 14" (36 cm) water column.

Examples of a qualified person include:

licensed heating personnel,
authorized gas company personnel, and
authorized service personnel.

Failure to do so can result in death, explosion, or fire.

Observe all governing codes and ordinances.

IMPORTANT: This installation must conform with all local codes and ordinances. In the absence of local codes, installation must conform with American National Standard, National Fuel Gas Code ANSI Z223.1 - latest edition or CAN/CGA B149 - latest edition.

IMPORTANT: Leak testing of the range must be conducted according to the manufacturer's instructions.

Type of Gas

Natural gas:

This range is design-certified by CSA International for use with Natural gas or, after proper conversion, for use with LP gas.

- This range is factory set for use with Natural gas. See "Gas Conversions" section. The model/serial rating plate located behind the storage drawer on the right-hand side oven door frame has information on the types of gas that can be used. If the types of gas listed do not include the type of gas available, check with the local gas supplier.

LP gas conversion:

Conversion must be done by a qualified service technician.

No attempt shall be made to convert the appliance from the gas specified on the model/serial rating plate for use with a different gas without consulting the serving gas supplier. See "Gas Conversions" section.

Gas Supply Line

- Provide a gas supply line of $\frac{3}{4}$ " (1.9 cm) rigid pipe to the range location. A smaller size pipe on longer runs may result in insufficient gas supply. With LP gas, piping or tubing size can be $\frac{1}{2}$ " (1.3 cm) minimum. Usually, LP gas suppliers determine the size and materials used in the system.

NOTE: Pipe-joint compounds that resist the action of LP gas must be used. Do not use TEFLON[†] tape.

Flexible metal appliance connector:

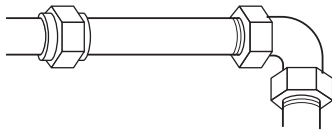
- If local codes permit, a new CSA design-certified, 4 to 5 ft (122 to 152.4 cm) long, $\frac{1}{2}$ " (1.3 cm) or $\frac{3}{4}$ " (1.9 cm) I.D., flexible metal appliance connector may be used for connecting range to the gas supply line.



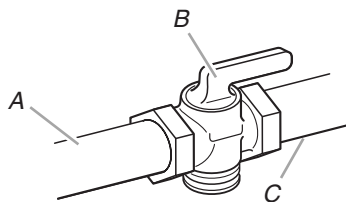
- A $\frac{1}{2}$ " (1.3 cm) male pipe thread is needed for connection to the female pipe threads of the inlet to the appliance pressure regulator.
- Do not kink or damage the flexible metal tubing when moving the range.

Rigid pipe connection:

The rigid pipe connection requires a combination of pipe fittings to obtain an in-line connection to the range. The rigid pipe must be level with the range connection. All strains must be removed from the supply and fuel lines so range will be level and in line.



- Must include a shutoff valve:
The supply line must be equipped with a manual shutoff valve. This valve should be located in the same room but external to the range opening, such as an adjacent cabinet. It should be in a location that allows ease of opening and closing. Do not block access to shutoff valve. The valve is for turning on or shutting off gas to the range.



A. Gas supply line
B. Shutoff valve "open" position
C. To range

Gas Pressure Regulator

The gas pressure regulator supplied with this range must be used. The inlet pressure to the regulator should be as follows for proper operation:

Natural gas:

Minimum pressure: 5" WCP

Maximum pressure: 14" WCP

LP gas:

Minimum pressure: 11" WCP

Maximum pressure: 14" WCP

Contact local gas supplier if you are not sure about the inlet pressure.

Burner Input Requirements

Input ratings shown on the model/serial rating plate are for elevations up to 2,000 ft (609.6 m).

For elevations above 2,000 ft (609.6 m), ratings are reduced at a rate of 4% for each 1,000 ft (304.8 m) above sea level (not applicable for Canada).

Gas Supply Pressure Testing

Gas supply pressure for testing regulator must be at least 1" water column pressure above the manifold pressure shown on the model/serial rating plate.

Line pressure testing above $\frac{1}{2}$ psi gauge (14" WCP)

The range and its individual shutoff valve must be disconnected from the gas supply piping system during any pressure testing of that system at test pressures in excess of $\frac{1}{2}$ psi (3.5 kPa).

Line pressure testing at $\frac{1}{2}$ psi gauge (14" WCP) or lower

The range must be isolated from the gas supply piping system by closing its individual manual shutoff valve during any pressure testing of the gas supply piping system at test pressures equal to or less than $\frac{1}{2}$ psi (3.5 kPa).

INSTALLATION INSTRUCTIONS

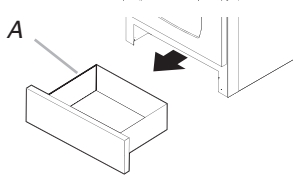
Unpack Range

⚠ WARNING

Excessive Weight Hazard

Use two or more people to move and install range.
Failure to do so can result in back or other injury.

1. Remove shipping materials, tape and film from the range. Keep cardboard bottom under range.
2. Remove oven racks and parts package from inside oven.
3. Pull storage drawer out completely.



A. Storage drawer

4. To place range on its back, take 4 cardboard corners from the carton. Stack one cardboard corner on top of another. Repeat with the other 2 corners. Place them lengthwise on the floor behind the range to support the range when it is laid on its back.
5. Using 2 or more people, firmly grasp the range and gently lay it on its back on the cardboard corners.
6. Pull cardboard bottom firmly to remove.
7. Use an adjustable wrench to loosen the leveling legs.
8. Place cardboard or hardboard in front of range. Using 2 or more people, stand range back up onto cardboard or hardboard.

Adjust Leveling Legs

1. If range height adjustment is necessary, use a wrench or pliers to loosen the 4 leveling legs.

This may be done with the range on its back or with the range supported on 2 legs after the range has been placed back to a standing position.

NOTE: To place range back up into a standing position, put a sheet of cardboard or hardboard in front of range. Using 2 or more people, stand range back up onto the cardboard or hardboard.

⚠ WARNING



Tip Over Hazard

A child or adult can tip the range and be killed.

Connect anti-tip bracket to rear range foot.

Reconnect the anti-tip bracket, if the range is moved.

Failure to follow these instructions can result in death or serious burns to children and adults.

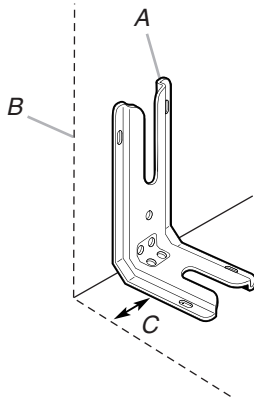
2. Adjust the leveling legs to the correct height. Leveling legs can be loosened to add up to a maximum of 1" (2.5 cm). A minimum of $\frac{3}{16}$ " (5.0 mm) is needed to engage the anti-tip bracket.

NOTE: If height adjustment is made when range is standing, tilt the range back to adjust the front legs, then tilt forward to adjust the rear legs.

3. When the range is at the correct height, check that there is adequate clearance under the range for the anti-tip bracket. Before sliding range into its final location, check that the anti-tip bracket will slide under the range and onto the rear leveling leg prior to anti-tip bracket installation.

Install Anti-Tip Bracket

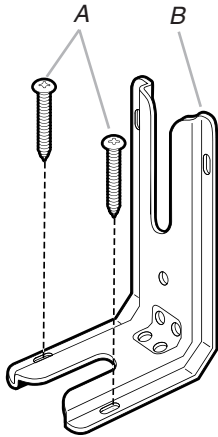
1. Remove the anti-tip bracket that is taped in the storage drawer.
2. Determine which mounting method to use: floor or wall.
If you have a stone or masonry floor you can use the wall mounting method.
3. Determine and mark the edge of the range in the cutout space. The mounting bracket can be installed on either the left side or right side of the cutout. Position mounting bracket in cutout so that right (or left) edge of the bracket is $\frac{9}{16}$ " (14.5 mm) from the marked edge of the range, as shown.



A. Anti-tip bracket
B. Mark edge of range.
C. $\frac{9}{16}$ " (14.5 mm)

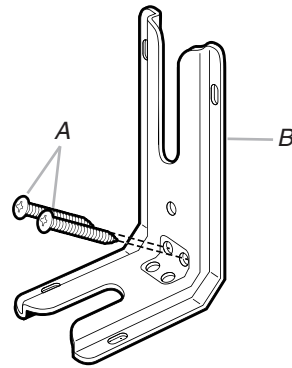
4. Drill two $\frac{1}{8}$ " (3.0 mm) holes that correspond to the bracket holes of the determined mounting method. See below.

Floor Mounting



A. #12 x $1\frac{1}{8}$ " screws
B. Anti-tip bracket

Wall Mounting



A. #12 x $1\frac{1}{8}$ " screws
B. Anti-tip bracket

5. Using the Phillips screwdriver, mount anti-tip bracket to the wall or floor with the two #12 x $1\frac{1}{8}$ " screws provided.

Make Gas Connection

WARNING



Explosion Hazard

Use a new CSA International approved gas supply line.
Install a shut-off valve.

Securely tighten all gas connections.

If connected to LP, have a qualified person make sure gas pressure does not exceed 14" (36 cm) water column.

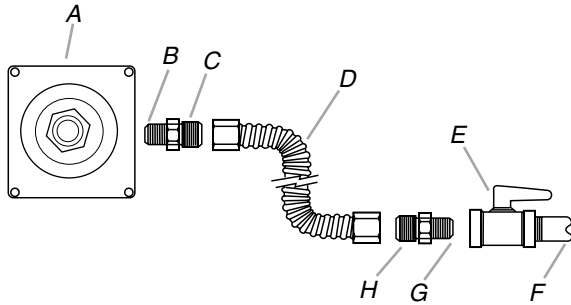
Examples of a qualified person include:
licensed heating personnel,
authorized gas company personnel, and
authorized service personnel.

Failure to do so can result in death, explosion, or fire.

Typical flexible connection

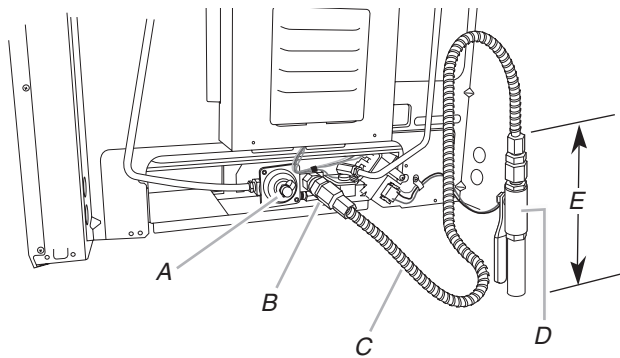
1. Apply pipe-joint compound made for use with LP gas to the smaller thread ends of the flexible connector adapters (see B and G in the following illustration).
2. Attach one adapter to the gas pressure regulator and the other adapter to the gas shutoff valve. Tighten both adapters.

- Use a $\frac{15}{16}$ " combination wrench and an adjustable wrench to attach the flexible connector to the adapters. Check that connector is not kinked.



- A. Gas pressure regulator
 B. Use pipe-joint compound.
 C. Adapter (must have $\frac{1}{2}$ " male pipe thread)
 D. Flexible connector
 E. Manual gas shutoff valve
 F. $\frac{1}{2}$ " or $\frac{3}{4}$ " gas pipe
 G. Use pipe-joint compound.
 H. Adapter

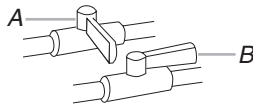
- Gas supply pipe must not be more than 10" (25.4 cm) above the floor.



- A. Gas pressure regulator
 B. Adapter
 C. Flexible connector
 D. Manual shutoff valve
 E. 10" (25.4 cm) max. straight pipe

Complete connection

- Open the manual shutoff valve in the gas supply line. The valve is open when the handle is parallel to the gas pipe.



- A. Closed valve
 B. Open valve

- Test all connections by brushing on an approved noncorrosive leak-detection solution. If bubbles appear, a leak is indicated. Correct any leak found.
- Remove cooktop burner caps and grates from parts package. Align recess in burner caps with pins in burner base. Burner caps should be level when properly positioned.

If burner caps are not properly positioned, surface burners will not light. Place burner grates over burners and caps.

⚠ WARNING



Electrical Shock Hazard

Plug into a grounded 3 prong outlet.

Do not remove ground prong.

Do not use an adapter.

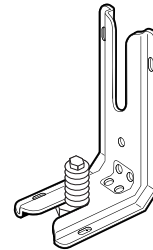
Do not use an extension cord.

Failure to follow these instructions can result in death, fire, or electrical shock.

- Plug into a grounded 3 prong outlet.

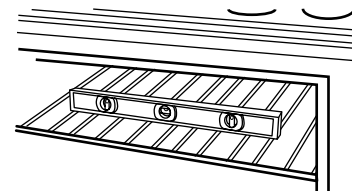
Verify Anti-Tip Bracket Location

- Move range close to cabinet opening.
- Remove cardboard or hardboard from under the range. Using 2 or more people, gently move range into its final location.
- Pull storage drawer out completely.
- To check that the anti-tip bracket is installed, use a flashlight and look underneath the bottom of the range.
 - Look for the anti-tip bracket securely attached to floor or wall.
 - Slide range back so rear range foot is under anti-tip bracket.



Level Range

- Place oven rack in oven.
- Place level on oven rack and check levelness of range, first side to side; then front to back.



- If range is not level, pull range forward until rear leveling leg is removed from the anti-tip bracket.
- Use wrench to adjust leveling legs up or down until range is level. Push range back into position.
- Check that rear leveling leg is engaged in anti-tip bracket.

NOTE: Range must be level for satisfactory baking performance.

Electronic Ignition System

Initial lighting and gas flame adjustments

Cooktop and oven burners use pilotless igniters in place of standing pilots. When the cooktop control knob is turned to the "LITE" position, the system creates a spark to light the burner. This sparking continues, as long as the control knob is turned to "LITE."

When the oven control is turned to the desired setting, a glow bar igniter heats and ignites the gas.

Check Operation of Cooktop Burners

Standard Surface Burners

Push in and turn each control knob to the "LITE" position.

The flame should light within 4 seconds. The first time a burner is lit it may take longer than 4 seconds to light because of air in the gas line.

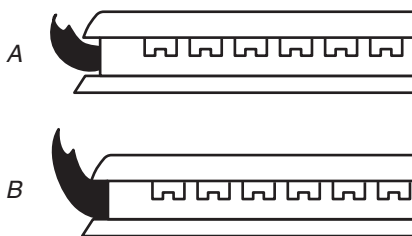
If burners do not light properly:

- Turn cooktop control knob to the "OFF" position.
- Check that the range is plugged in and the circuit breaker has not tripped or the household fuse has not blown.
- Check that the gas shutoff valves are set to the "open" position.
- Check that burner caps are properly positioned on burner bases.

Repeat start-up. If a burner does not light at this point, turn the control knobs to "Off" and contact your dealer or authorized service company for assistance.

Adjust Flame Height

Adjust the height of top burner flames. The cooktop "low" burner flame should be a steady blue flame approximately 1/4" (0.64 cm) high.



A. Low flame
B. High flame

To adjust standard burners:

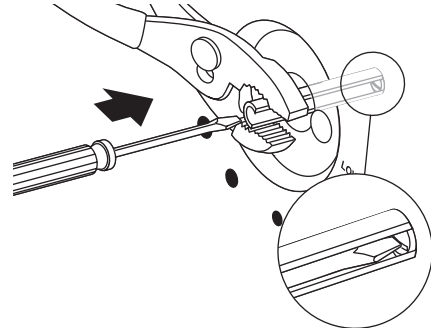
The flame can be adjusted using the adjustment screw in the center of the valve stem. The valve stem is located directly underneath the control knob.

If the "low" flame needs to be adjusted:

1. Light 1 burner and turn to lowest setting.

2. Remove the control knob.

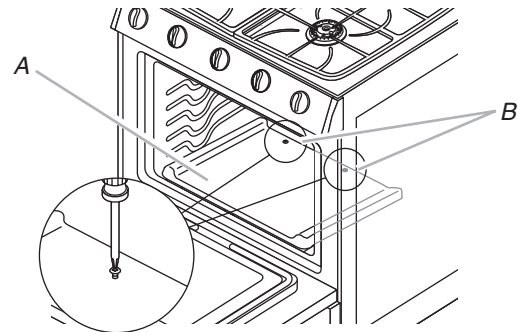
Hold the knob stem in the low position using a pair of pliers. Use an 1/8" (3.0 mm) flat-blade screwdriver to turn the screw located in the center of the control knob stem until the flame is the proper size.



3. Replace the control knob.
4. Test the flame by turning the control from "LO" to "HI," checking the flame at each setting.
5. Repeat above steps for each burner.

Check Operation of Oven Bake Burner

1. Remove the oven rack.
2. Using a Phillips screwdriver, remove the 2 bake burner cover screws.
3. Lift up on rear of bake burner cover and remove.
4. Place cover on a covered surface.



A. Bake burner cover
B. Bake burner cover screws

5. Press BAKE.
6. Press START.

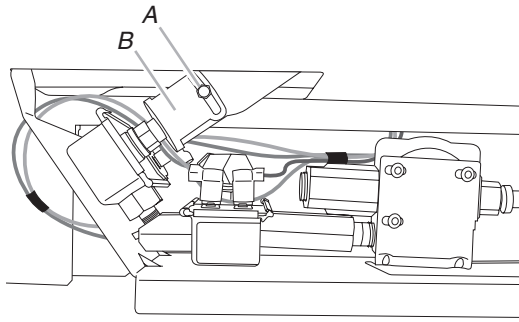
The igniter used to light the bake burner will glow. Once the igniter is hot the oven bake burner should light. Under certain conditions it may take up to 60 seconds for it to light.

Adjust Oven Bake Burner Flame (if needed)

1. Remove storage drawer.
2. Check the oven bake burner for proper flame.

This flame should have a 1/2" (1.3 cm) long inner cone of bluish-green, with an outer mantle of dark blue, and should be clean and soft in character. No yellow tips, blowing or lifting of flame should occur.

- If the oven bake flame needs to be adjusted, locate the air shutter near the center rear of the storage drawer compartment. Use a flat-blade screwdriver to loosen the air shutter adjustment screw. Rotate the air shutter until the proper flame appears. Tighten air shutter adjustment screw.



A. Air shutter adjustment screw
B. Air shutter

- Press CANCEL when finished.
- Reinstall the bake burner cover.

Check Operation of Oven Broil Burner

- Close the oven door to the broil stop position.
- Press the BROIL.
- Press START.

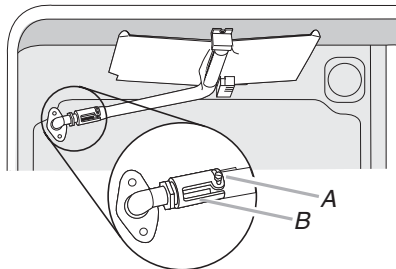
The igniter used to light the bake burner will glow. Once the igniter is hot the oven bake burner should light. Under certain conditions it may take up to 60 seconds for it to light.

Adjust Oven Broil Burner Flame (if needed)

Look through oven window to check broil burner for proper flame. This flame should have a ½" (1.3 cm) long inner cone of bluish-green, with an outer mantle of dark blue, and should be clean and soft in character. No yellow tips, blowing or lifting of flame should occur.

If flame needs to be adjusted:

- Use a flat-blade screwdriver to loosen the air shutter adjustment screw on the air shutter located at the rear of the broil burner.
- Adjust the air shutter as need.
- Tighten air shutter adjustment screw.



A. Air shutter adjustment screw
B. Air shutter

- Press CANCEL when finished.

Replace Oven Racks and Storage Drawer

Replace oven racks in oven cavity. Replace storage drawer.

To Replace Storage Drawer:

- Fit the ends of the drawer glides into the rails in the range.
- Lift up the front of the drawer and gently push in to the first stop position.
- Lift drawer up again and push until drawer is closed.

Complete Installation

- Check that all parts are now installed. If there is an extra part, go back through the steps to see which step was skipped.
- Check that you have all of your tools.
- Dispose of/recycle all packaging materials.
- Check that the range is level. See "Level Range."
- Use a mild solution of liquid household cleaner and warm water to remove waxy residue caused by shipping material. Dry thoroughly with a soft cloth. For more information, see the "Range Care" section of the Use and Care Guide.
- Read the Use and Care Guide.
- Turn on surface burners and oven. See the Use and Care Guide for specific instruction on range operation.

If range does not operate, check the following:

- Household fuse is intact and tight, or circuit breaker has not tripped.
 - Range is plugged into a grounded 3 prong outlet.
 - Electrical supply is connected.
 - See "Troubleshooting" in the Use and Care Guide.
- When the range has been on for 5 minutes, check for heat. If the range is cold, turn off the range and check that the gas supply line shutoff valve is open.
 - If the gas supply line shutoff valve is closed, open it, then repeat the 5-minute test as outlined above.
 - If the gas supply line shutoff valve is open, press the CANCEL button on the oven control panel and contact a qualified technician.

If you need Assistance or Service:

Please reference the "Assistance or Service" section of the Use and Care Guide or contact the dealer from whom you purchased your range.

GAS CONVERSIONS

Gas conversions from Natural gas to LP gas or from LP gas to Natural gas must be done by a qualified installer.

⚠ WARNING



Explosion Hazard

Use a new CSA International approved gas supply line.

Install a shut-off valve.

Securely tighten all gas connections.

If connected to LP, have a qualified person make sure gas pressure does not exceed 14" (36 cm) water column.

Examples of a qualified person include:

licensed heating personnel,
authorized gas company personnel, and
authorized service personnel.

Failure to do so can result in death, explosion, or fire.

LP Gas Conversion

⚠ WARNING



Tip Over Hazard

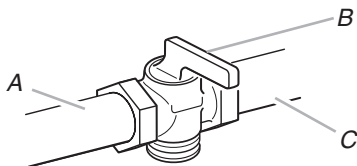
A child or adult can tip the range and be killed.

Connect anti-tip bracket to rear range foot.

Reconnect the anti-tip bracket, if the range is moved.

Failure to follow these instructions can result in death or serious burns to children and adults.

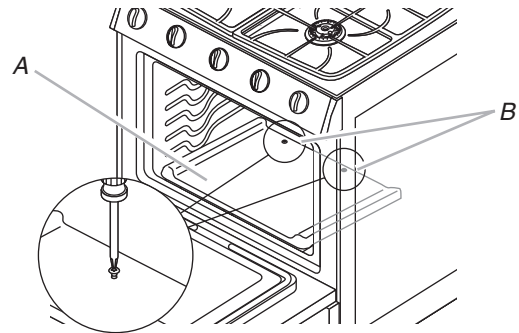
1. Turn manual shutoff valve to the closed position.
2. Unplug range or disconnect power.



- A. To range
- B. Shutoff valve (closed position)
- C. Gas supply line

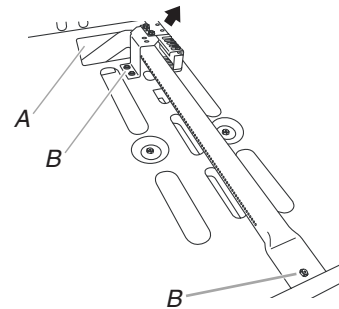
To Convert Gas Pressure Regulator

1. Remove oven racks from inside the oven cavity.
2. Remove the storage drawer. See "Replace Oven Racks and Storage Drawer" section.
3. Remove the oven door. See "Oven Door" section in the Use and Care Guide for oven door removal instructions.
4. Using a Phillips screwdriver, remove and set aside the 2 oven bake burner cover screws located at the rear of the oven.



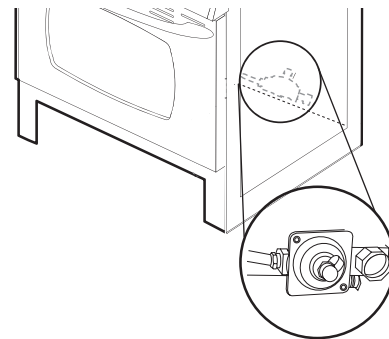
- A. Bake burner cover
- B. Bake burner cover screws

5. Lift up and remove oven bake burner cover.
6. Remove the 3 bake burner screws and set aside.
7. Swing the bake burner to the side and lift it off the oven orifice and set aside.



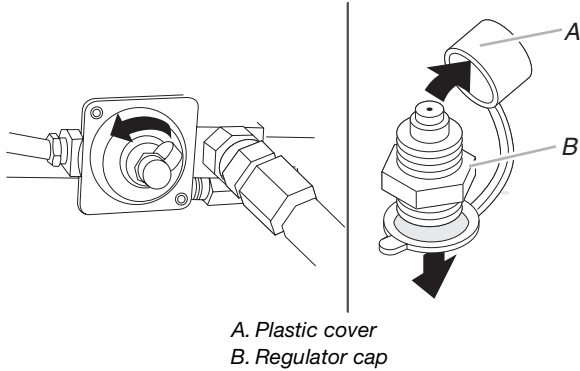
- A. Oven orifice
- B. Bake burner screws

8. Locate gas pressure regulator at the rear of the range.

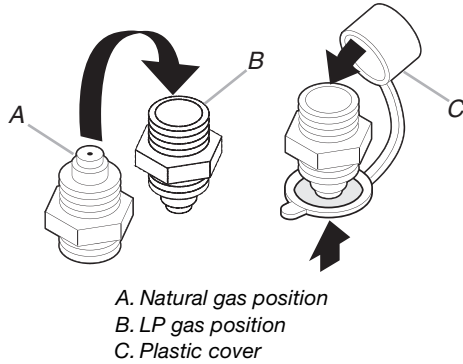


IMPORTANT: Do not remove the gas pressure regulator.

9. Unscrew the regulator cap and remove the plastic cover.



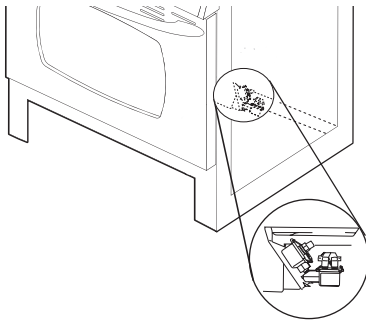
10. Flip the regulator cap over and replace the plastic cover.



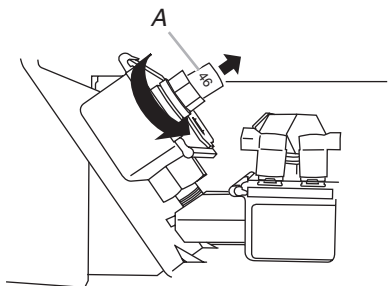
11. Screw the regulator cap securely back into place. Do not overtighten.

To Convert Oven Bake Burner

1. Locate the oven orifice hood from the front of the range.

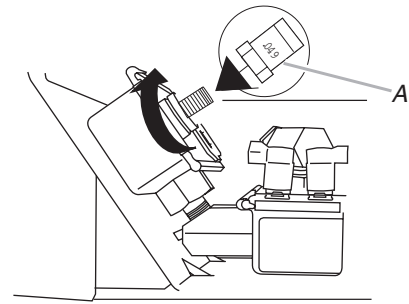


2. Using an adjustable wrench, turn the Number 46 Natural gas bake burner orifice hood counterclockwise to remove.



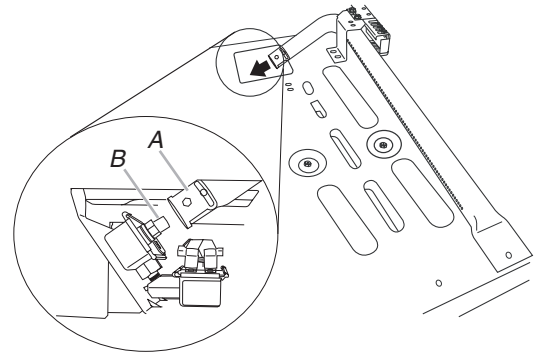
A. Number 46 Natural gas bake burner orifice hood

3. Install the Number .049 LP gas bake burner orifice hood, turning it clockwise 4 or 5 turns. Do not overtighten.



A. Number .049 LP orifice hood

4. Position the bake burner over the bake burner orifice hood and reinstall using 3 screws.

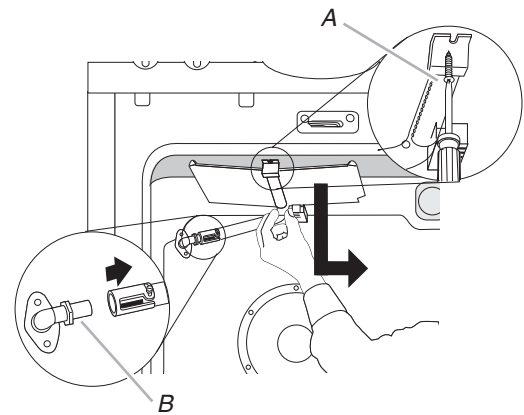


A. Bake burner
B. Bake burner orifice hood

5. Reinstall the oven bake burner cover.

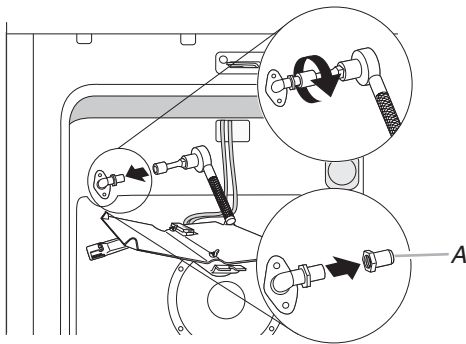
To Convert Oven Broil Burner

1. Remove broil burner screw and set aside.
2. Remove the broil burner from the broil burner orifice hood. The broil burner will hang in the back of the oven while changing the orifice hood.



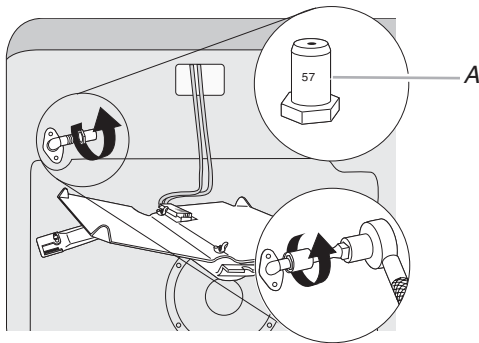
A. Broil burner screw
B. Broil burner orifice hood

- Turn the 1.65 mm Natural gas broil burner orifice hood counterclockwise to remove.



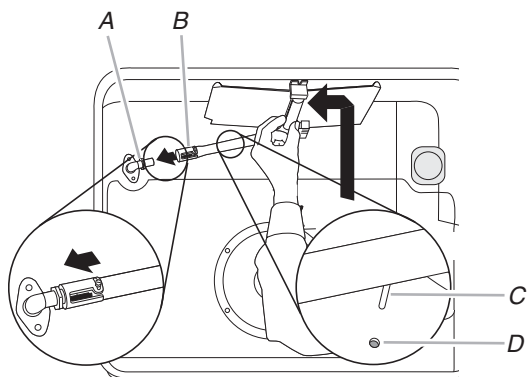
A. 1.65 mm Natural gas broil burner orifice hood

- Install the Number 57 LP gas broil burner orifice hood, turning it clockwise 4 or 5 turns. Do not overtighten.



A. Number 57 LP gas broil burner orifice hood

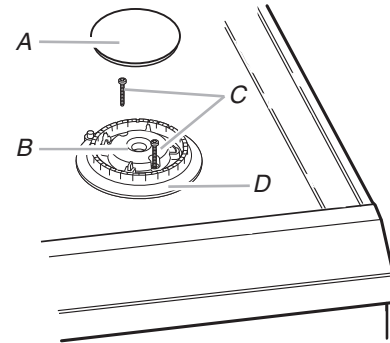
- Place the broil burner on the broil burner orifice hood. Insert the broil burner locator pin in the hole in the oven back.
- Position the broil burner against the roof of the oven cavity and attach with screw.



A. Broil burner orifice hood
B. Broil burner
C. Broil burner locator pin
D. Broil burner locator hole

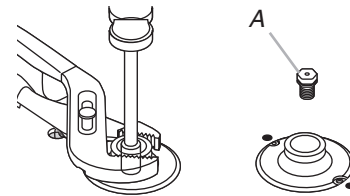
To Convert Surface Burners

- If installed, remove the burner grates.
- Remove the burner caps.
- Using a Phillips screwdriver, remove the burner base.



A. Burner cap
B. Gas tube opening
C. Burner base screws
D. Burner base

- Apply masking tape to the end of a $\frac{9}{32}$ " (7.0 mm) nut driver to help hold the Natural gas orifice spud in the nut driver while changing it. Press nut driver down onto the Natural gas orifice spud and remove by turning it counterclockwise and lifting out. Set the Natural gas orifice spud aside.



A. Natural gas orifice spud

Use the following chart for correct LP gas orifice spud for each burner. Refer to the rating plate on the lower right side of the front frame for proper sizing of LP gas orifice spuds for each burner location.

LP Gas Orifice Spud Chart

Burner Rating	Color	Size	ID Number
4,000 BTU	Blue	0.64 mm	64L
5,000 BTU	Yellow/white	0.70 mm	70L
7,000 BTU	Yellow/green	0.84 mm	84L
8,000 BTU	Yellow/black	0.85 mm	85L
9,100 BTU	Clear	0.91 mm	91L
10,500 BTU	Green	0.97 mm	97L
11,000 BTU	Yellow/brown	0.99 mm	99L
14,000 BTU	Red	1.14 mm	114L
14,200 BTU	Yellow/orange	1.07 mm	107L

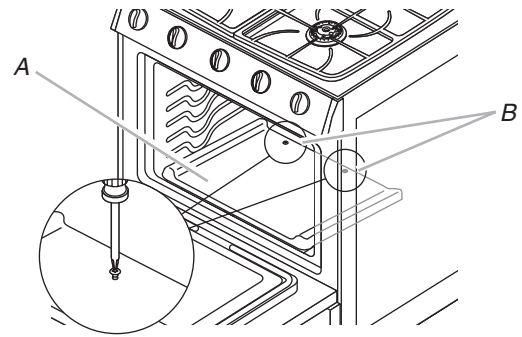
- Replace the Natural gas orifice spud with the correct LP gas orifice spud. See the "LP Gas Orifice Spud Chart."
- Replace burner base and hand tighten the screws.

7. Replace burner cap.
8. Repeat steps 1 through 7 for the remaining burners.
9. Place Natural gas orifice spuds in plastic parts bag for future use and keep with the package containing literature.
10. Replace burner grates.
11. Reinstall storage drawer. See the “Replace Oven Racks and Storage Drawer” section for instructions.
12. Reinstall oven door. See the “Oven Door” section in the Use and Care Guide.
13. Complete installation. See “Make Gas Connection” and “Electronic Ignition System” sections.

Checking for proper cooktop burner flame is very important. The small inner cone should have a very distinct blue flame ¼" to ½" long. The outer cone is not as distinct as the inner cone. LP gas flames have a slightly yellow tip.

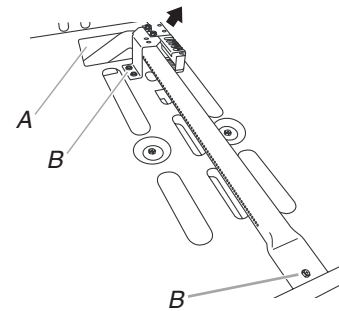
IMPORTANT: You may have to adjust the “LO” setting for each cooktop burner.

4. Using a Phillips screwdriver, remove the 2 oven bake burner cover screws located at the rear of the oven.



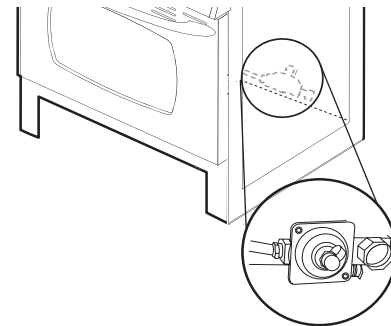
A. Bake burner cover
B. Bake burner cover screws

5. Lift up and remove oven bake burner cover.
6. Remove the 3 bake burner screws and set aside.
7. Swing the bake burner to the side and lift it off the oven orifice and set aside.



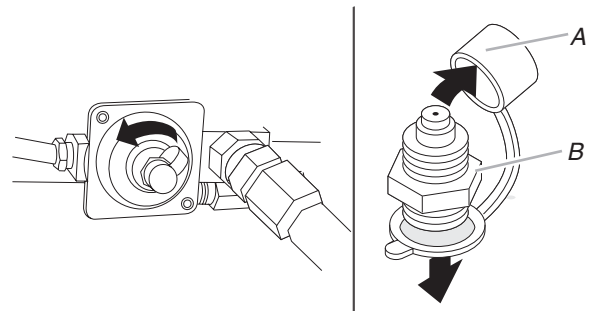
A. Oven orifice
B. Bake burner screws

8. Locate gas pressure regulator at the rear of the range.



IMPORTANT: Do not remove the gas pressure regulator.

9. Unscrew the regulator cap and remove the plastic cover.



A. Plastic cover
B. Regulator cap

Natural Gas Conversion

! WARNING



Tip Over Hazard

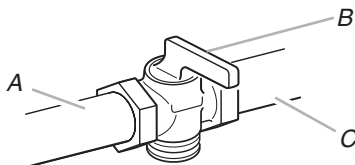
A child or adult can tip the range and be killed.

Connect anti-tip bracket to rear range foot.

Reconnect the anti-tip bracket, if the range is moved.

Failure to follow these instructions can result in death or serious burns to children and adults.

1. Turn manual shutoff valve to the closed position.
2. Unplug range or disconnect power.

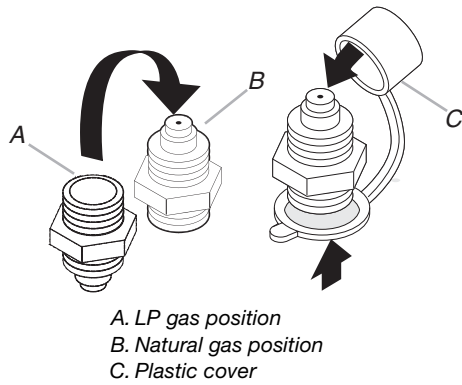


A. To range
B. Shutoff valve (closed position)
C. Gas supply line

To Convert Gas Pressure Regulator

1. Remove oven racks from inside the oven cavity.
2. Remove the storage drawer. See “Replace Oven Racks and Storage Drawer” section.
3. Remove the oven door. See “Oven Door” section in the Use and Care Guide for oven door removal instructions.

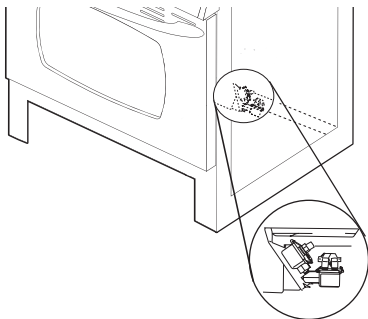
10. Flip the regulator cap over and replace the plastic cover.



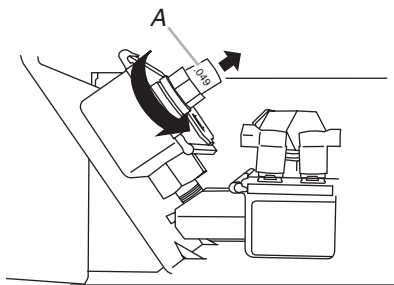
11. Screw the regulator cap securely back into place. Do not overtighten.

To Convert Oven Bake Burner

1. Locate the oven orifice hood from the front of the range.

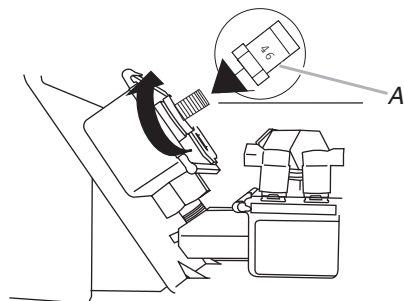


2. Using an adjustable wrench, turn the Number .049 LP gas bake burner orifice hood counterclockwise to remove.



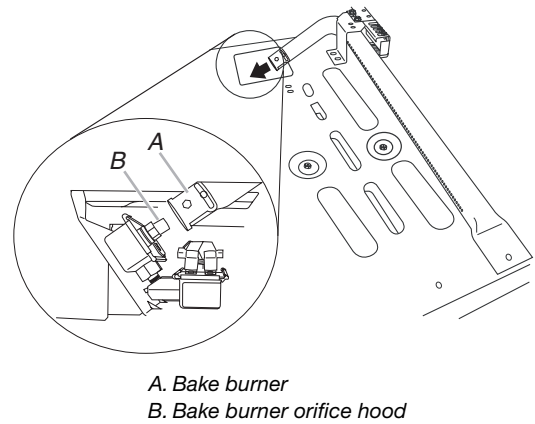
A. Number .049 LP gas bake burner orifice hood

3. Install the Number 46 Natural gas bake burner orifice hood, turning it clockwise 4 or 5 turns. Do not overtighten.



A. Number 46 Natural gas bake burner orifice hood

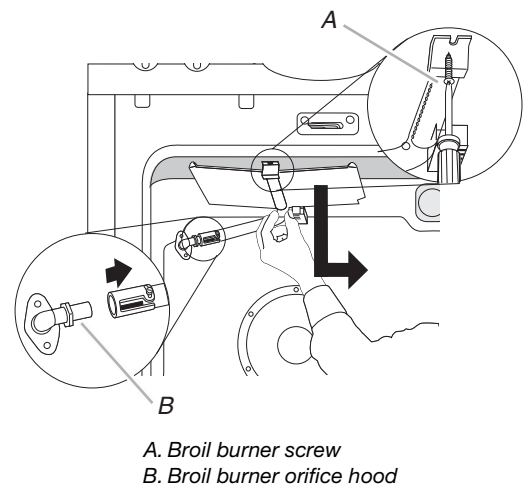
4. Position the bake burner over the bake burner orifice hood and reinstall using 3 screws.



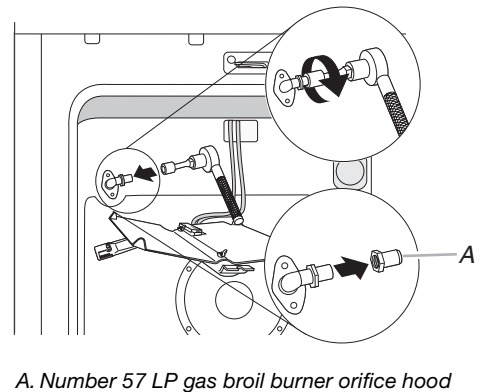
5. Reinstall the oven bake burner cover.

To Convert Oven Broil Burner

1. Remove broil burner screw and set aside.
2. Remove the broil burner from the broil burner orifice hood. The broil burner will hang in the back of the oven while changing the orifice hood.

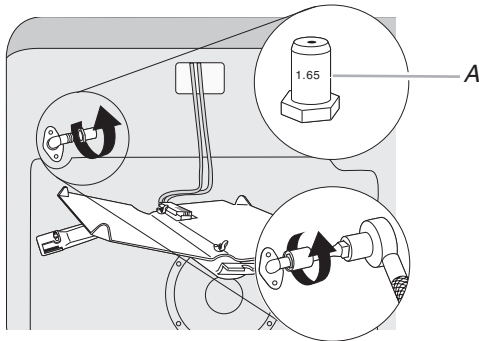


3. Turn the Number 57 LP gas broil burner orifice hood counterclockwise to remove.



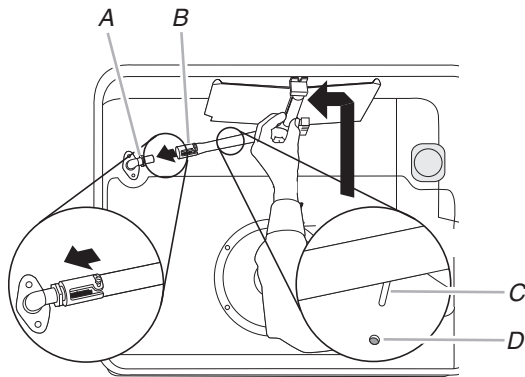
A. Number 57 LP gas broil burner orifice hood

4. Install the Number 1.65 mm Natural gas broil burner orifice hood, turning it clockwise 4 or 5 turns. Do not overtighten.



A. Number 1.65 mm Natural gas broil burner orifice hood

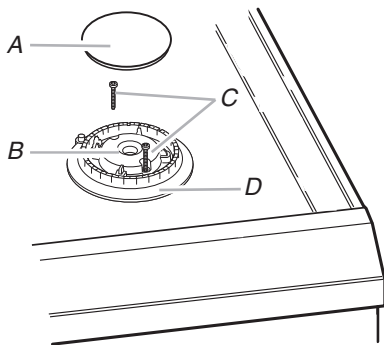
5. Place the broil burner on the broil burner orifice hood. Insert the broil burner locator pin in the hole in the oven back.
6. Position the broil burner against the roof of the oven cavity and attach with screw.



A. Broil burner orifice hood
B. Broil burner
C. Broil burner locator pin
D. Broil burner locator hole

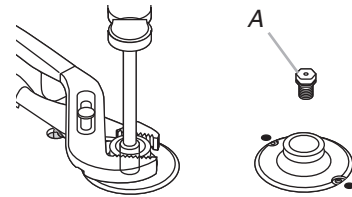
To Convert Surface Burners

1. If installed, remove the burner grates.
2. Remove the burner caps.
3. Using a Phillips screwdriver, remove the burner base.



A. Burner cap
B. Gas tube opening
C. Burner base screws
D. Burner base

4. Apply masking tape to the end of a $\frac{9}{32}$ " (7.0 mm) nut driver to help hold the LP gas orifice spud in the nut driver while changing it. Press nut driver down onto the LP gas orifice spud and remove by turning it counterclockwise and lifting out. Set the LP gas orifice spud aside.



A. LP gas orifice spud

Use the following chart for correct Natural gas orifice spud for each burner. Refer to the model/serial rating plate on the lower right side of the front frame for proper sizing of Natural orifice spuds for each burner location.

Natural Gas Orifice Spud Chart

Burner Rating	Color	Size	Number
5,000 BTU	Clear or Red/brass	1.10 mm	110N
7,000 BTU	Red/green	1.32 mm	132N
9,200 BTU	Clear	1.50 mm	150N
9,500 BTU	Red/brown	1.55 mm	155N
12,000 BTU	Clear	1.70 mm	170N
12,000 BTU	Red/yellow	1.80 mm	180N
13,500 BTU	Red/blue	1.85 mm	185N
14,200 BTU	Red/orange	1.90 mm	190N
16,000 BTU	Clear	1.95 mm	195N
17,000 BTU	Red/magenta	2.10 mm	210N

5. Replace the LP gas orifice spud with correct Natural gas orifice spud. See the "Natural Gas Orifice Spud Chart."
6. Replace burner base and hand tighten the screws.
7. Replace burner cap.
8. Repeat steps 1 through 7 for the remaining burners.
9. Place LP gas orifice spuds in plastic parts bag for future use and keep with the package containing literature.
10. Replace burner grates.
11. Reinstall storage drawer. See the "Replace Oven Racks and Storage Drawer" section for instructions.
12. Reinstall oven door. See the "Oven Door" section in the Use and Care Guide.
13. Complete installation. See "Make Gas Connection" and "Electronic Ignition System" sections.

Checking for proper cooktop burner flame is very important. The small inner cone should have a very distinct blue flame $\frac{1}{4}$ " to $\frac{1}{2}$ " long. The outer cone is not as distinct as the inner cone. Natural gas flames do not have yellow tips.

IMPORTANT: You may have to adjust the "LO" setting for each cooktop burner.

Notes

SÉCURITÉ DE LA CUISINIÈRE

Votre sécurité et celle des autres est très importante.

Nous donnons de nombreux messages de sécurité importants dans ce manuel et sur votre appareil ménager. Assurez-vous de toujours lire tous les messages de sécurité et de vous y conformer.



Voici le symbole d'alerte de sécurité.

Ce symbole d'alerte de sécurité vous signale les dangers potentiels de décès et de blessures graves à vous et à d'autres.

Tous les messages de sécurité suivront le symbole d'alerte de sécurité et le mot "DANGER" ou "AVERTISSEMENT". Ces mots signifient :

⚠ DANGER

Risque possible de décès ou de blessure grave si vous ne suivez pas immédiatement les instructions.

⚠ AVERTISSEMENT

Risque possible de décès ou de blessure grave si vous ne suivez pas les instructions.

Tous les messages de sécurité vous diront quel est le danger potentiel et vous disent comment réduire le risque de blessure et ce qui peut se produire en cas de non-respect des instructions.

AVERTISSEMENT : Si les renseignements dans ce manuel ne sont pas exactement observés, un incendie ou une explosion peut survenir, causant des dommages au produit, des blessures ou un décès.

- Ne pas entreposer ni utiliser de l'essence ou d'autres vapeurs ou liquides inflammables à proximité de cet appareil ou de tout autre appareil électroménager.
- QUE FAIRE DANS LE CAS D'UNE ODEUR DE GAZ :
 - Ne pas tenter d'allumer un appareil.
 - Ne pas toucher à un commutateur électrique.
 - Ne pas utiliser le téléphone se trouvant sur les lieux.
 - Appeler immédiatement le fournisseur de gaz à partir du téléphone d'un voisin. Suivre ses instructions.
 - À défaut de joindre votre fournisseur de gaz, appeler les pompiers.
- L'installation et l'entretien doivent être effectués par un installateur qualifié, une agence de service ou le fournisseur de gaz.

AVERTISSEMENT : L'odorat ne permet pas toujours la détection d'une fuite de gaz.

Les distributeurs de gaz recommandent l'emploi d'un détecteur de gaz (homologation UL ou CSA).

Pour d'autre information, contacter le fournisseur de gaz local.

En cas de détection d'une fuite de gaz, exécuter les instructions "Que faire dans le cas d'une odeur de gaz".

Dans l'État du Massachusetts, les instructions d'installation suivantes sont applicables :

- Les travaux d'installation et réparation doivent être exécutés par un plombier ou tuyauteur qualifié ou licencié, ou par le personnel qualifié d'une entreprise licenciée par l'État du Massachusetts.
- Si une vanne à boisseau sphérique est utilisée, elle doit comporter une manette "T".
- Si un conduit de raccordement flexible est utilisé, sa longueur ne doit pas dépasser 3 pi.

⚠ AVERTISSEMENT

Risque de basculement

Un enfant ou une personne adulte peut faire basculer la cuisinière ce qui peut causer un décès.

Joindre la bride antibasculement au pied arrière de la cuisinière.

Joindre de nouveau la bride antibasculement si la cuisinière est déplacée.

Le non-respect de ces instructions peut causer un décès ou des brûlures graves aux enfants et aux adultes.



EXIGENCES D'INSTALLATION

Outillage et pièces

Rassembler les outils et pièces nécessaires avant de commencer l'installation. Lire et suivre les instructions fournies avec les outils indiqués ici.

Outils nécessaires

- Mètre ruban
 - Tournevis Phillips
 - Tournevis à lame plate
 - Tournevis à lame plate de 1/8"
 - Niveau
 - Perceuse
 - Clé ou pince
 - Clé à tuyauterie
 - Clé mixte de 15/16"
 - Foret de 1/8" (3,2 mm) (pour planchers en bois)
 - Marqueur ou crayon
 - Composé d'étanchéité des raccords filetés – résistant au propane
 - Foret à maçonnerie à pointe carburée de 3/16" (4,8 mm) (pour planchers en béton/céramique)
 - Solution non-corrosive de détection des fuites
- Pour les conversions au gaz naturel/propane**
- Clé mixte de 1/2"
 - Tourne-écrou de 9/32" (7,0 mm)
 - Ruban adhésif de masquage

Pièces fournies

Vérifier que toutes les pièces sont présentes.

- Trousse de conversion au gaz naturel/propane (fixée au moyen de ruban adhésif à l'intérieur du tiroir de remisage, à proximité du pied arrière gauche)
- 2 - Grilles de brûleur
- 5 - Chapeaux de brûleur
- 2 - Grilles de four (3 sur certains modèles)
- 2 - Vis n°12 x 1 1/8" (pour le montage de la bride antibasculement)
- Bride antibasculement (fixée par du ruban adhésif à l'intérieur du tiroir de remisage)

La bride antibasculement doit être bien fixée à la cloison arrière ou au plancher. La profondeur du plancher peut nécessiter des vis plus longues pour l'ancrage de la bride dans le sous-plancher. Des vis plus longues sont disponibles auprès de votre quincaillerie locale.

Pièces nécessaires

Vérifier les codes locaux et consulter le fournisseur de gaz. Vérifier l'alimentation en gaz et l'alimentation électrique existantes. Voir les sections "Spécifications électriques" et "Spécifications de l'alimentation en gaz".

Exigences d'emplacement

IMPORTANT : Observer les dispositions de tous les codes et règlements en vigueur. Ne pas obstruer le flux de combustion et la ventilation.

- C'est à l'installateur qu'incombe la responsabilité de respecter les distances de séparation exigées, spécifiées sur la plaque signalétique de l'appareil. La plaque signalétique est située sur le côté droit du châssis du four, derrière le panneau du tiroir de remisage.
- La cuisinière doit être installée à un endroit pratique dans la cuisine.

- Dans le cas d'une cuisinière encastrée, l'enceinte doit recouvrir complètement les côtés et l'arrière de la cuisinière.
- Afin de supprimer le risque de brûlures ou d'incendie en se penchant au-dessus des unités de surface chauffées, le rangement en placard au-dessus des unités de surface doit être évité. Si le rangement en placard est envisagé, le risque peut être réduit par l'installation d'une hotte de cuisinière ou d'un ensemble hotte/micro-ondes opérant horizontalement sur un minimum de 5" (12,7 cm) au-delà du bas des placards.
- Toutes les ouvertures dans le mur ou le plancher de l'emplacement d'installation de la cuisinière doivent être scellées.
- Respecter les dimensions indiquées pour les ouvertures à découper dans les placards. Ces dimensions constituent les valeurs minimales des dégagements de séparation.
- La bride antibasculement de plancher doit être installée. Pour l'installation de la bride antibasculement expédiée avec la cuisinière, voir la section "Installation de la bride antibasculement".
- Une source d'électricité avec liaison à la terre est nécessaire. Voir la section "Spécifications électriques".
- Une source de gaz adéquate doit être disponible. Voir la section "Spécifications de l'alimentation en gaz".
- Contacter un installateur de revêtement de sol qualifié, qui pourra déterminer si le revêtement de sol peut résister à une température d'au moins 200°F (93°C).
- Dans le cas de l'installation de la cuisinière par dessus un tapis ou de la moquette, placer sous la cuisinière une plaque d'appui isolée, ou une plaque de contreplaqué de 1/4" (0,64 cm).

IMPORTANT : Pour éviter d'endommager les placards, consulter le constructeur de la maison ou le fabricant des placards pour déterminer si les matériaux utilisés peuvent subir un changement de couleur, une déstratification ou d'autres dommages. Ce four a été conçu conformément aux exigences des normes UL et CSA International et respecte les températures maximales permises de 194° (90°C) pour les placards en bois.

Résidence mobile – Spécifications additionnelles à respecter lors de l'installation

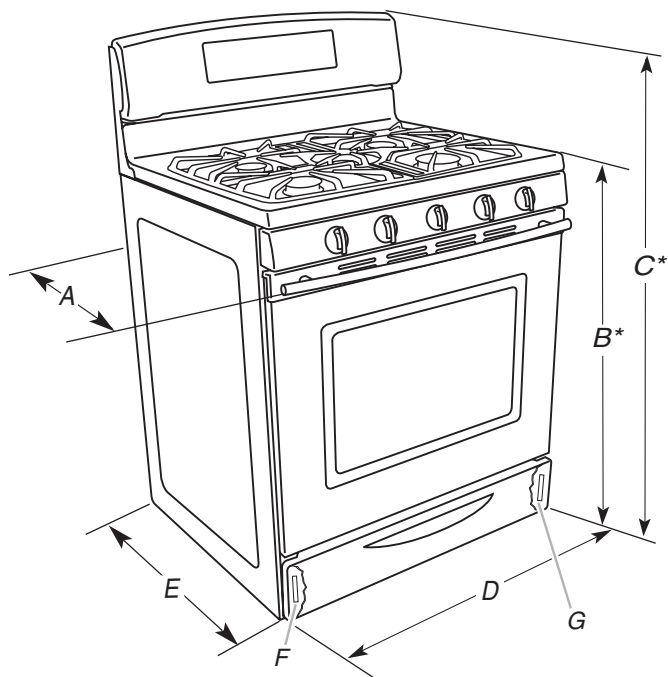
L'installation de cette cuisinière doit être conforme aux dispositions de la norme Manufactured Home Construction and Safety Standard, Title 24 CFR, Part 3280 (anciennement Federal Standard for Mobile Home Construction and Safety, Title 24, HUD Part 280). Lorsque cette norme n'est pas applicable, l'installation doit satisfaire aux critères de la norme Standard for Manufactured Home Installations, ANSI A225.1/NFPA 501A ou aux dispositions des codes locaux.

Au Canada, l'installation de cette cuisinière doit satisfaire aux stipulations de la version la plus récente de la norme CAN/CSA-A240 ou des codes locaux en vigueur.

Autres critères à respecter pour une installation en résidence mobile :

- Dans le cas de l'installation de cette cuisinière dans une résidence mobile, la cuisinière doit être fixée au plancher durant tout déplacement du véhicule. Toute méthode de fixation de la cuisinière est adéquate dans la mesure où elle satisfait aux critères des normes mentionnées ci-dessus.

Dimensions du produit



A. Profondeur avec la poignée jusqu'aux supports de dossieret : 28½" (72,4 cm) à 28" (73,7 cm). Profondeur avec la poignée : 29" (73,7 cm) (modèles KitchenAid seulement)

B. Hauteur maximale de la table de cuisson avec les pieds de nivellement complètement rétractés : 35⅝" (90,5 cm)*

C. Hauteur hors-tout avec les pieds de nivellement complètement rétractés : 47⅞" (119,7 cm) (maximum)*

D. Largeur : 29⅞" (75,9 cm)

E. Profondeur hors-tout jusqu'aux supports arrière : 26¼" (67,9 cm)

F. Plaque signalétique (située sur le côté gauche du châssis du four, derrière le tiroir de remisage)

G. Plaque signalétique (située sur le côté droit du châssis du four, derrière le tiroir de remisage)

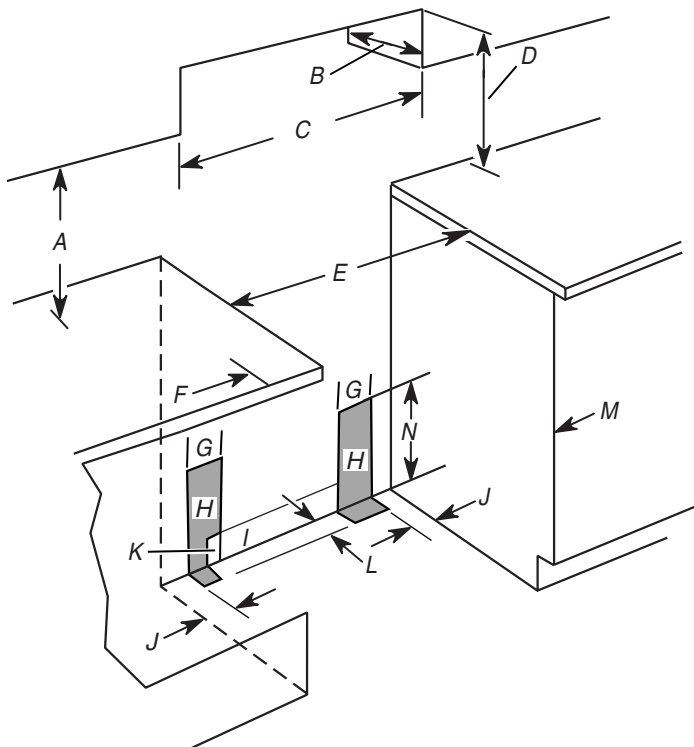
*La cuisinière peut être surélevée d'environ 1" (2,5 cm) en ajustant les pieds de nivellement.

Dimensions du placard

Les dimensions de l'espace d'installation entre les placards correspondent à une installation entre des placards inférieurs de 24" (61,0 cm) de profondeur, avec un plan de travail de 25" (64,0 cm) de profondeur et 36" (91,4 cm) de hauteur.

IMPORTANT : En cas d'installation d'une hotte ou d'un ensemble hotte/micro-ondes au-dessus de la cuisinière, suivre les instructions d'installation fournies avec la hotte ou avec l'ensemble hotte/micro-ondes concernant les dimensions de dégagement à respecter au-dessus de la surface de la table de cuisson.

Il est possible d'installer la cuisinière de manière à ce qu'elle soit en contact avec des matériaux de construction combustibles à l'arrière et sur les côtés, en-dessous de la table de cuisson.



A. 18" (45,7 cm) entre le placard supérieur et le plan de travail

B. Profondeur du placard supérieur : 13" (33 cm)

C. Largeur de l'ouverture 30" (76,2 cm) min.

D. Pour la distance libre minimale vers la partie supérieure de la table de cuisson, voir la REMARQUE.

E. Largeur de l'ouverture 30 ⅛" (76,5 cm) min.

F. Dégagement de 3" (7,6 cm) min. entre les deux côtés de la cuisinière et les parois latérales ou d'autres matériaux combustibles.

G. Largeur de H (zone pour l'installation des lignes électriques et des conduites de gaz) : 6" (15,2 cm)

H. Zone recommandée pour l'installation des lignes électriques et des conduites de gaz

I. Hauteur de l'espace à encoche dans H : 6" (15,2 cm)

J. Distance du côté de la cuisinière à H : 3⅝" (8,4 cm)

K. Largeur de l'espace à encoche dans H : 3" (7,6 cm)

L. Distance jusqu'au mur : 3" (7,6 cm)

M. La porte ou les charnières du placard ne doit/doivent pas dépasser à l'intérieur de l'ouverture.

N. Hauteur de H : 19" (48,3 cm)

REMARQUE : Distance de séparation de 24" (61,0 cm) ou plus lorsque le fond d'un placard de bois ou de métal est protégé par une planche ignifugée d'au moins ¼" (0,64 cm) recouverte d'une feuille métallique d'épaisseur égale ou supérieure à : acier calibre 28 MSG, acier inoxydable 0,015" (0,4 mm), aluminium 0,024" (0,6 mm) ou cuivre 0,020" (0,5 mm).

Distance de séparation minimale de 30" (76,2 cm) entre le dessus de la table de cuisson et le fond d'un placard de bois ou de métal non protégé.

Spécifications électriques

⚠️ AVERTISSEMENT



Risque de choc électrique

- Brancher sur une prise à 3 alvéoles reliée à la terre.
- Ne pas enlever la broche de liaison à la terre.
- Ne pas utiliser un adaptateur.
- Ne pas utiliser un câble de rallonge.
- Le non-respect de ces instructions peut causer un décès, un incendie ou un choc électrique.

IMPORTANT : La cuisinière doit être électriquement reliée à la terre conformément aux prescriptions des codes et règlements locaux; en l'absence de code local, respecter les prescriptions du code national en vigueur : National Electrical Code, ANSI/NFPA 70 ou Code canadien de l'électricité, CSA C22.1.

Si les codes en vigueur le permettent et qu'un conducteur distinct de liaison à la terre est utilisé, on recommande qu'un électricien qualifié vérifie la qualité de la liaison à la terre.

On peut obtenir un exemplaire du code national en vigueur à l'adresse suivante :

National Fire Protection Association
One Batterymarch Park,
Quincy, MA 02269
CSA International
8501 East Pleasant Valley Road
Cleveland, OH 44131-5575

- L'appareil doit être alimenté par un circuit de 120 V, 60 Hz, CA seulement, protégé par fusible de 15 A. On recommande l'emploi de fusibles temporisés ou de disjoncteurs. On recommande que la cuisinière soit alimentée par un circuit indépendant.
- Les dispositifs d'allumage électronique peuvent fonctionner correctement dans une plage de tension d'alimentation étendue, mais il est nécessaire de respecter la polarité stipulée et d'établir une liaison à la terre adéquate. Vérifier que la prise de courant fournit une tension de 120 V et qu'elle est correctement reliée à la terre.
- On trouvera un schéma de câblage à l'arrière de la cuisinière, dans un sachet de plastique transparent.

Spécifications de l'alimentation en gaz

⚠️ AVERTISSEMENT



Risque d'explosion

Utiliser une canalisation neuve d'arrivée de gaz approuvée par la CSA International.

Installer un robinet d'arrêt.

Bien serrer chaque organe de connexion de la canalisation de gaz.

En cas de connexion au gaz propane, demander à une personne qualifiée de s'assurer que la pression de gaz ne dépasse pas 36 cm (14 po) de la colonne d'eau.

Par personne qualifiée, on comprend :

le personnel autorisé de chauffage,
le personnel autorisé d'une compagnie de gaz, et
le personnel d'entretien autorisé.

Le non-respect de ces instructions peut causer un décès, une explosion ou un incendie.

Observer toutes les prescriptions des codes et règlements en vigueur.

IMPORTANT : L'installation doit satisfaire aux critères de tous les codes et règlements locaux. En l'absence de code local, l'installation doit satisfaire aux prescriptions de la plus récente édition du : National Fuel Gas Code ANSI Z223.1 (American National Standard), ou CAN/CGA B149 (édition la plus récente).

IMPORTANT : Les tests de fuite de la cuisinière doivent être effectués selon les instructions du fabricant.

Type de gaz

Gaz naturel :

La conception de cette cuisinière a été homologuée par CSA International pour l'alimentation au gaz naturel, ou pour l'alimentation au propane après conversion adéquate.

- Cette cuisinière a été configurée à l'usine pour l'alimentation au gaz naturel. Voir la section "Conversions pour changement de gaz". La plaque signalétique des numéros de modèle et de série située sur le côté droit du cadre de la porte du four derrière le tiroir de remisage indique les types de gaz utilisables. Si le type de gaz disponible n'est pas mentionné, consulter le fournisseur de gaz local.

Conversion pour l'alimentation au propane :

L'opération de conversion doit être exécutée par un technicien qualifié.

Consulter le fournisseur de gaz avant toute conversion de l'appareil pour l'utilisation d'un type de gaz qui n'est pas mentionné sur la plaque signalétique. Voir la section "Conversions pour changement de gaz".

Canalisation de gaz

- Installer une canalisation de gaz rigide de ¾" (1,9 cm) jusqu'à l'emplacement d'installation de la cuisinière. L'emploi d'une canalisation de plus petit diamètre ou plus longue peut susciter une déficience du débit d'alimentation. Pour l'alimentation au propane, le diamètre des canalisations doit être de ½" (1,3 cm) ou plus. Généralement, le fournisseur de gaz propane détermine les matériaux à utiliser et la dimension appropriée.

REMARQUE : On doit utiliser un composé d'étanchéité des tuyauteries résistant à l'action du gaz propane. Ne pas utiliser de ruban TEFLON[†].

Raccord métallique flexible pour appareil ménager :

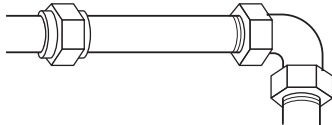
- Si les codes locaux le permettent, on peut utiliser pour raccorder la cuisinière à la canalisation de gaz avec un raccord métallique flexible pour appareil ménager neuf (homologation CSA) de 4 à 5 pi (122 à 152,4 cm) de longueur, de diamètre interne de ½" (1,3 cm) ou ¾" (1,9 cm).



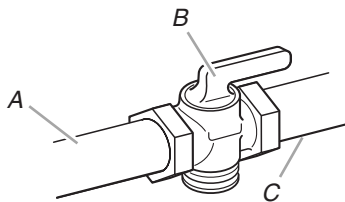
- Un raccord avec filetage mâle de ½" (1,3 cm) est nécessaire pour la connexion sur le raccord à filetage femelle à l'entrée du détendeur de l'appareil.
- Veiller à ne pas déformer ou endommager le tube métallique flexible lors d'un déplacement de la cuisinière.

Raccordement par une canalisation rigide :

On doit utiliser une combinaison de raccords pour réaliser un raccordement rigide entre la cuisinière et la canalisation de gaz. La canalisation rigide doit se trouver au même niveau que le raccord de connexion de la cuisinière. On doit veiller à ne soumettre les sections de canalisation d'alimentation et de combustible à aucun effort de traction ou flexion, pour que la cuisinière soit d'aplomb et correctement alignée.



- Robinet d'arrêt nécessaire :
La canalisation d'alimentation doit comporter un robinet d'arrêt manuel. Le robinet d'arrêt manuel doit être séparé de l'ouverture de la cuisinière, mais doit se trouver dans la même pièce, par exemple dans un placard adjacent. La canalisation doit se trouver en un endroit facilement accessible pour les manœuvres d'ouverture/fermeture. Ne pas entraver l'accès au robinet d'arrêt manuel. Le robinet d'arrêt manuel est prévu pour ouvrir ou fermer l'alimentation en gaz de la cuisinière.



A. Canalisation d'alimentation en gaz
B. Robinet d'arrêt en position d'ouverture
C. Vers la cuisinière

Détendeur

Le détendeur fourni avec cette cuisinière doit être utilisé. Pour un fonctionnement correct, la pression d'alimentation du détendeur doit être comme suit :

Gaz naturel :

Pression minimum : 5" (colonne d'eau)

Pression maximum : 14" (colonne d'eau)

Gaz propane :

Pression minimum : 11" (colonne d'eau)

Pression maximum : 14" (colonne d'eau)

En cas d'incertitude quant à la pression d'alimentation à établir, contacter le fournisseur de gaz local.

Débit thermique des brûleurs

Les débits thermiques indiqués sur la plaque signalétique correspondent à une altitude d'utilisation inférieure ou égale à 2000 pi (609,6 m).

Lorsque l'appareil est utilisé à une altitude supérieure à 2000 pi (609,6 m), on doit réduire le débit thermique indiqué de 4 % pour chaque tranche de 1000 pi (304,8 m) au-dessus du niveau de la mer (pas applicable au Canada).

Tests de pressurisation de la canalisation de gaz

On doit tester le détendeur sous une pression supérieure d'au moins 1" à la pression de la tubulure de distribution indiquée sur la plaque signalétique.

Pressurisation à une pression supérieure à ½ lb/po² (14" - colonne d'eau)

Lors de tout test de pressurisation de ce système à une pression supérieure à ½ lb/po² (3,5 kPa), on doit déconnecter la cuisinière et son robinet d'arrêt individuel de la canalisation de gaz.

Pressurisation à une pression égale ou inférieure à ½ lb/po² (14" - colonne d'eau)

Lors de tout test de pressurisation de la canalisation de gaz à une pression égale ou inférieure à ½ lb/po² (3,5 kPa), on doit isoler la cuisinière de la canalisation de gaz par fermeture de son robinet d'arrêt manuel individuel.

INSTRUCTIONS D'INSTALLATION

Déballage de la cuisinière

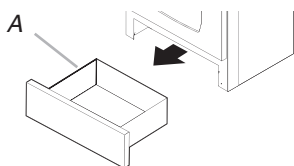
⚠ AVERTISSEMENT

Risque du poids excessif

Utiliser deux ou plus de personnes pour déplacer et installer la cuisinière.

Le non-respect de cette instruction peut causer une blessure au dos ou d'autre blessure.

1. Ôter les matériaux d'emballage, le ruban adhésif et le film de la cuisinière. Laisser la base de carton sous la cuisinière.
2. Retirer les grilles de four et le sachet de pièces de l'intérieur du four.
3. Retirer complètement le tiroir de remisage.



A. Tiroir de remisage

4. Pour placer la cuisinière sur sa partie postérieure, sortir les 4 coins de protection du carton d'emballage. Empiler l'un des coins sur un autre. Répéter avec les 2 autres coins. Les disposer sur le plancher dans le sens de la longueur derrière la cuisinière en guise de support lorsque la cuisinière est placée sur sa partie postérieure.
5. À l'aide d'au moins deux personnes, saisir fermement la cuisinière et la poser délicatement sur sa partie postérieure, sur les coins de protection.
6. Tirer fermement sur la partie inférieure du carton pour le retirer.
7. Utiliser une clé à molette pour desserrer les pieds de nivellement.
8. Placer le carton ou le panneau de matériau dur devant la cuisinière. À l'aide d'au moins deux personnes, relever la cuisinière et la placer sur le carton ou sur le panneau de matériau dur.

Réglage des pieds de nivellement

1. Si un ajustement de la hauteur de la cuisinière est nécessaire, utiliser une clé ou une pince pour desserrer les 4 pieds de nivellement.

Ceci doit être effectué alors que la cuisinière repose sur sa partie postérieure ou qu'elle est soutenue par 2 pieds après avoir été replacée en position verticale.

REMARQUE : Pour replacer la cuisinière en position verticale, placer un carton ou un panneau de fibres dur devant la cuisinière. À l'aide de deux personnes ou plus, redresser la cuisinière et la placer sur le carton ou le panneau de matériau dur.

⚠ AVERTISSEMENT



Risque de basculement

Un enfant ou une personne adulte peut faire basculer la cuisinière ce qui peut causer un décès.

Joindre la bride antibasculement au pied arrière de la cuisinière.

Joindre de nouveau la bride antibasculement si la cuisinière est déplacée.

Le non-respect de ces instructions peut causer un décès ou des brûlures graves aux enfants et aux adultes.

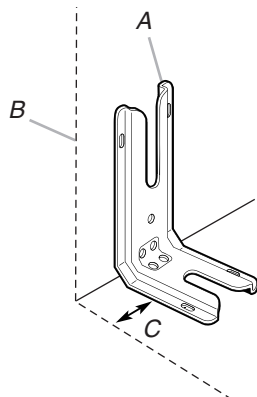
2. Ajuster les pieds de nivellement à la hauteur nécessaire. Les pieds de nivellement peuvent être desserrés pour ajouter une hauteur maximale de 1" (2,5 cm). Une longueur minimale de $\frac{3}{16}$ " (5,0 mm) est nécessaire pour engager la bride antibasculement.
REMARQUE : Si un ajustement de la hauteur est effectué alors que la cuisinière est debout, incliner la cuisinière vers l'arrière pour ajuster les pieds avant, puis incliner la cuisinière vers l'avant pour ajuster les pieds arrière.
3. Lorsque la cuisinière est à la hauteur souhaitée, vérifier qu'il y a un espace suffisant sous la cuisinière pour loger la bride antibasculement. Avant de faire glisser la cuisinière à son emplacement final, vérifier qu'il sera possible de faire glisser la bride antibasculement sous la cuisinière et sur le pied de nivellement arrière avant l'installation de la bride antibasculement.

Installation de la bride antibasculement

1. Ôter la bride antibasculement fixée par du ruban adhésif à l'intérieur du tiroir de remisage.
2. Déterminer la méthode de montage à utiliser : au plancher ou au mur.

Pour un plancher en pierre ou en briquetage, on peut utiliser la méthode de montage au mur.

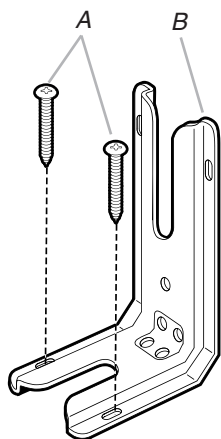
3. Déterminer et marquer l'emplacement du bord de la cuisinière dans l'espace à découper. On peut installer la bride de montage du côté gauche ou droit du découpage. Positionner la bride de montage dans la zone découpée de façon à ce que le bord droit (ou gauche) de la bride se trouve à $\frac{9}{16}$ " (14,5 mm) du marquage du bord de la cuisinière, tel qu'illustré.



A. Bride antibasculement
B. Marquage du bord de la cuisinière
C. $\frac{9}{16}$ " (14,5 mm)

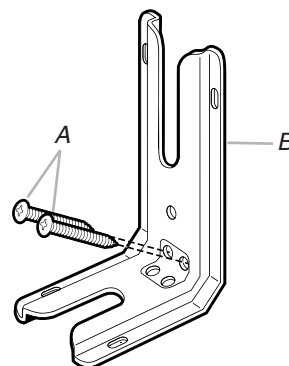
4. Percer deux trous de $\frac{1}{8}$ " (3,0 mm) qui correspondent aux trous de la bride pour la méthode de montage déterminée. Voir ci-dessous.

Montage au plancher



A. Vis n°12 x 1 $\frac{5}{8}$ "
B. Bride antibasculement

Montage au mur



A. Vis n°12 x 1 $\frac{5}{8}$ "
B. Bride antibasculement

5. À l'aide d'un tournevis Phillips, monter la bride antibasculement au mur ou au plancher avec les deux vis n°12 x 1 $\frac{5}{8}$ " fournies.

Raccordement au gaz

⚠ AVERTISSEMENT



Risque d'explosion

Utiliser une canalisation neuve d'arrivée de gaz approuvée par la CSA International.

Installer un robinet d'arrêt.

Bien serrer chaque organe de connexion de la canalisation de gaz.

En cas de connexion au gaz propane, demander à une personne qualifiée de s'assurer que la pression de gaz ne dépasse pas 36 cm (14 po) de la colonne d'eau.

Par personne qualifiée, on comprend :

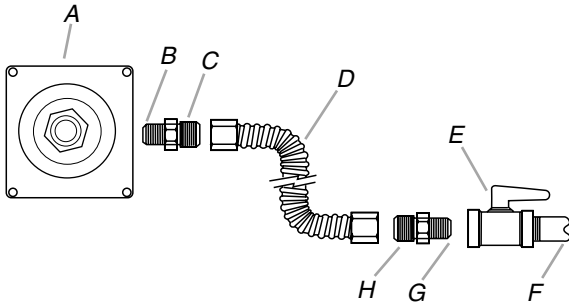
le personnel autorisé de chauffage,
le personnel autorisé d'une compagnie de gaz, et
le personnel d'entretien autorisé.

Le non-respect de ces instructions peut causer un décès, une explosion ou un incendie.

Raccordement typique par raccord flexible

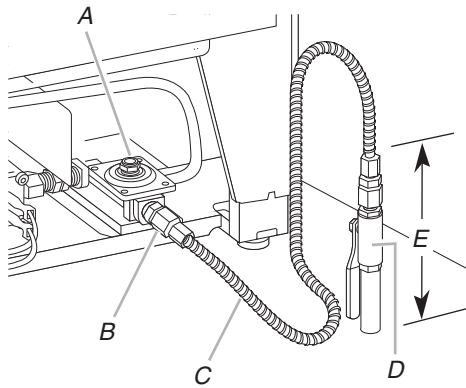
1. Appliquer un composé d'étanchéité pour tuyauteries propane sur les extrémités du petit filetage des raccords d'adaptation flexibles (voir B et G dans l'illustration suivante).
2. Fixer un raccord d'adaptation sur le détendeur et l'autre raccord d'adaptation sur le robinet d'arrêt de la canalisation de gaz. Serrer les deux raccords d'adaptation.

- À l'aide d'une clé mixte de 15/16" et d'une clé à molette, fixer le raccord flexible sur les raccords d'adaptation. Vérifier que le raccord d'adaptation n'est pas déformé.



- A. Détendeur
 B. Utiliser un composé d'étanchéité pour tuyauteries.
 C. Raccord d'adaptation (avec filetage mâle NPT de 1/2")
 D. Raccord flexible
 E. Robinet d'arrêt manuel
 F. Tuyau de gaz de 1/2" ou 3/4"
 G. Utiliser un composé d'étanchéité pour tuyauteries.
 H. Raccord d'adaptation

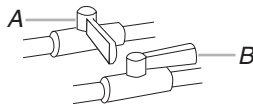
- La conduite d'arrivée du gaz doit être à moins de 10" (25,4 cm) au-dessus du sol.



- A. Détendeur
 B. Raccord d'adaptation
 C. Raccord flexible
 D. Robinet d'arrêt manuel
 E. Conduit droite de 10" (25,4 cm) max.

Terminer le raccordement

- Ouvrir le robinet d'arrêt manuel sur la canalisation d'alimentation en gaz. Le robinet est ouvert lorsque la manette est parallèle à la canalisation de gaz.



- A. Robinet fermé
 B. Robinet ouvert

- Vérifier tous les raccordements en les badigeonnant d'une solution de détection des fuites non corrosive approuvée. L'apparition de bulles indique une fuite. Réparer toute fuite éventuelle.

- Ôter les chapeaux et grilles de brûleur de la table de cuisson du sachet de pièces. Aligner les renforcements des chapeaux de brûleur avec les broches se trouvant sur la base du brûleur. Un chapeau de brûleur correctement placé doit être horizontal. Si les chapeaux de brûleur ne sont pas correctement placés, les brûleurs de surface ne peuvent pas s'allumer. Placer les grilles de brûleur sur les brûleurs et les chapeaux.

⚠ AVERTISSEMENT



Risque de choc électrique

Brancher sur une prise à 3 alvéoles reliée à la terre.

Ne pas enlever la broche de liaison à la terre.

Ne pas utiliser un adaptateur.

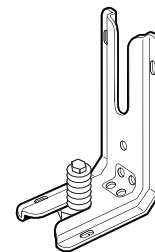
Ne pas utiliser un câble de rallonge.

Le non-respect de ces instructions peut causer un décès, un incendie ou un choc électrique.

- Brancher sur une prise à 3 alvéoles reliée à la terre.

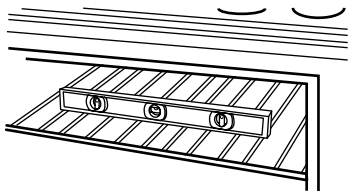
Vérification de l'emplacement de la bride antibasculement

- Approcher la cuisinière de l'espace d'installation entre les placards.
- Retirer la feuille de carton ou le panneau de fibres dur placé sous la cuisinière. À l'aide d'au moins deux personnes, pousser prudemment la cuisinière jusqu'à sa position finale.
- Retirer le tiroir de remisage complètement.
- Utiliser une lampe de poche pour inspecter le dessous de la cuisinière afin de vérifier que la bride antibasculement est bien installée.
 - Vérifier que la bride antibasculement est bien fixée au plancher ou au mur.
 - Faire glisser de nouveau la cuisinière de façon à ce que le pied arrière de la cuisinière se trouve sous la bride antibasculement.



Réglage de l'aplomb de la cuisinière

1. Placer la grille dans le four.
2. Placer un niveau sur la grille et contrôler l'aplomb de la cuisinière, d'abord transversalement, puis d'avant en arrière.



3. Si la cuisinière n'est pas d'aplomb, la tirer vers l'avant de façon à ce que le pied de nivellement arrière se dégage de la bride antibasculement.
4. Utiliser une clé pour régler les pieds de nivellement vers le haut ou vers le bas jusqu'à ce que la cuisinière soit d'aplomb. Pousser pour la remettre en place.
5. Vérifier que le pied de nivellement arrière est engagé dans la bride antibasculement.

REMARQUE : Il faut que l'appareil soit d'aplomb pour que le four produise une performance satisfaisante.

Système d'allumage électronique

Allumage initial et réglages des flammes

Un système d'allumage électronique est utilisé à la place des flammes de veille usuelles pour l'allumage des brûleurs (table de cuisson et four). Lorsqu'on place le bouton de commande d'un brûleur de la table de cuisson à la position "LITE" (allumage), le système génère des étincelles pour l'allumage du brûleur. La génération d'étincelles se poursuit aussi longtemps que le bouton de commande est laissé à la position "LITE".

Lorsqu'on place le bouton de commande du brûleur du four à la position désirée, une barre incandescente chauffe et provoque l'inflammation du gaz.

Contrôle du fonctionnement des brûleurs de la table de cuisson

Brûleurs standard de la table de cuisson

Enfoncer et tourner chaque bouton de commande à la position "LITE".

Les flammes doivent s'allumer sur le brûleur en moins de 4 secondes. Lors de l'allumage initial du brûleur, le délai d'allumage peut être supérieur à 4 secondes du fait de la présence d'air dans la canalisation de gaz.

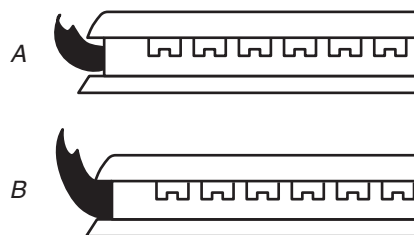
Si les brûleurs ne s'allument pas correctement :

- Ramener le bouton de commande de la table de cuisson à la position "OFF" (arrêt).
- Vérifier que la cuisinière est branchée et correctement alimentée (fusible grillé? disjoncteur ouvert?)
- Vérifier que chaque robinet d'arrêt est ouvert.
- Vérifier que les chapeaux de brûleur sont correctement placés sur les bases du brûleur.

Répéter le processus de mise en marche. Si à ce stade un brûleur ne s'allume pas, tourner les boutons de commande à "OFF" (arrêt) et contacter le revendeur ou un dépanneur agréé.

Réglage de la taille des flammes

Régler la taille des flammes sur les brûleurs de la table de cuisson. Pour le réglage au débit thermique minimum, on doit observer des flammes stables bleues de 1/4" (0,64 cm).



A. Débit thermique minimum
B. Débit thermique maximum

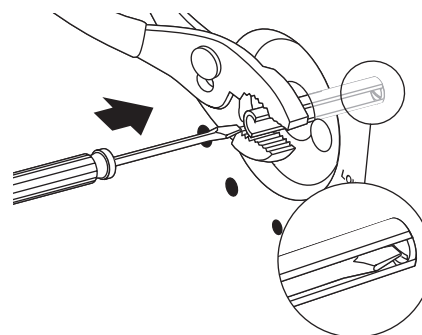
Réglage des brûleurs standard

La vis de réglage située au centre de la tige de commande du robinet permet de régler la taille des flammes. La tige de commande est située directement au-dessous du bouton de commande.

S'il est nécessaire de régler la taille des flammes pour le débit thermique minimum :

1. Allumer un brûleur et le régler au débit minimum.
2. Ôter le bouton de commande.

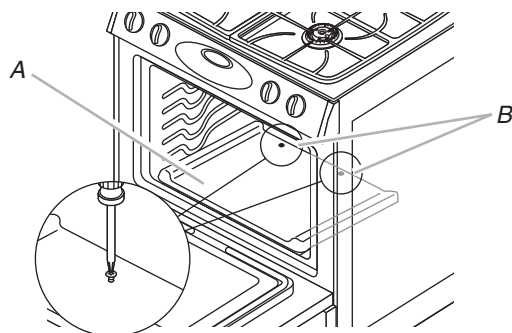
Maintenir la tige de commande en position basse à l'aide d'une pince. Utiliser un petit tournevis à lame plate de 1/8" (3,0 mm) pour faire tourner la vis située au centre de la tige de commande jusqu'à ce que les flammes atteignent la taille désirée.



3. Réinstaller le bouton de commande.
4. Tester le fonctionnement du brûleur : faire passer le bouton de commande de la position "LO" (basse) à la position "HI" (élevée) et observer les flammes pour chaque réglage.
5. Répéter cette procédure pour chacun des brûleurs.

Contrôle du fonctionnement du brûleur de cuisson au four

1. Ôter la grille du four.
2. Enlever les deux vis servant à immobiliser le couvercle du brûleur de cuisson au four à l'aide d'un tournevis Phillips.
3. Soulever l'arrière du couvercle du brûleur de cuisson au four et le retirer.
4. Placer le couvercle sur une surface protégée.



A. Brûleur de cuisson au four – couvercle
B. Brûleur de cuisson au four – vis du couvercle

5. Appuyer sur BAKE (cuisson au four).
6. Appuyer sur START (mise en marche).

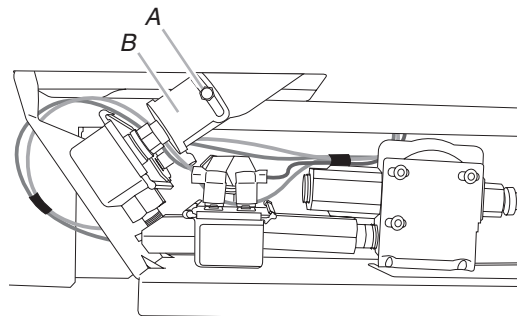
L'allumeur servant à allumer le brûleur de cuisson au four va commencer à luire. Le brûleur devrait s'allumer une fois que l'allumeur est chaud. Cela peut parfois prendre plus de 60 secondes.

Réglage de la taille des flammes sur le brûleur de cuisson au four (le cas échéant)

1. Retirer le tiroir de remisage.
2. Observer les flammes sur le brûleur de cuisson au four pour déterminer si un réglage est nécessaire.

Il doit y avoir sur le brûleur des flammes comportant un cône interne bleu-vert de 1/2" (1,3 cm) et une zone externe bleu foncé; la forme des flammes doit être nette et douce. On ne doit pas observer de pointes jaunes, ni d'effet de soufflage ou de séparation entre les flammes et le brûleur.

3. S'il est nécessaire de régler la taille des flammes, identifier la virole de réglage de l'admission d'air près du centre/à l'arrière de la cuisinière. Utiliser un tournevis à lame plate pour desserrer la vis de blocage. Faire tourner la virole jusqu'à ce la flamme atteigne la taille correcte. Serrer la vis de réglage de l'admission d'air.



A. Vis de réglage de l'admission d'air
B. Virole de réglage de l'admission d'air

4. Appuyer sur CANCEL (annulation) après avoir terminé.
5. Remettre en place le couvercle du brûleur de cuisson au four.

Contrôle du fonctionnement du brûleur du grill

1. Fermer la porte jusqu'à la position d'arrêt pour la cuisson au grill.
2. Appuyer sur la touche BROIL (grill).
3. Appuyer sur START (mise en marche).

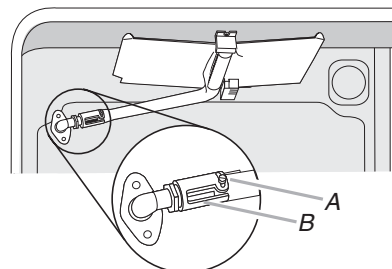
L'allumeur servant à allumer le brûleur de cuisson au four va commencer à luire. Le brûleur devrait s'allumer une fois que l'allumeur est chaud. Cela peut parfois prendre plus de 60 secondes.

Réglage de la taille des flammes sur le brûleur du grill (le cas échéant)

Examiner les flammes sur le brûleur du grill à travers le hublot du four. Il doit y avoir sur le brûleur des flammes comportant un cône interne bleu-vert de 1/2" (1,3 cm) et une zone externe bleu foncé; la forme des flammes doit être nette et douce. On ne doit pas observer de pointes jaunes, ni d'effet de soufflage ou de séparation entre les flammes et le brûleur.

S'il est nécessaire de régler la taille des flammes :

1. Utiliser un tournevis à lame plate pour desserrer la vis de blocage de la virole de réglage de l'admission d'air, à l'arrière du brûleur du grill.
2. Régler l'admission d'air selon le besoin.
3. Serrer la vis de réglage de l'admission d'air.



A. Vis de réglage de l'admission d'air
B. Virole de réglage de l'admission d'air

4. Appuyer sur CANCEL (annulation) après avoir terminé.

Réinstallation des grilles de four et du tiroir de remisage

Réinstaller les grilles dans la cavité du four. Réinstaller le tiroir de remisage.

Réinstallation du tiroir de remisage :

1. Placer les extrémités des glissières du tiroir dans les rails sur la cuisinière.
2. Soulever l'avant du tiroir et le pousser délicatement jusqu'à la première butée.
3. Soulever le tiroir à nouveau et le pousser jusqu'à la fermeture.

Achever l'installation

1. Vérifier que toutes les pièces sont maintenant installées. S'il reste une pièce inutilisée, passer en revue les différentes étapes pour découvrir laquelle aurait été oubliée.
2. Vérifier la présence de tous les outils.
3. Jeter ou recycler tous les matériaux d'emballage.
4. Contrôler l'aplomb de la cuisinière. Voir "Réglage de l'aplomb de la cuisinière".
5. Utiliser une solution d'eau tiède et de nettoyant ménager liquide doux pour éliminer tout résidu de cire laissé par les matériaux de protection de l'emballage. Sécher parfaitement avec un linge doux. Pour plus d'informations, consulter la section "Entretien de la cuisinière" dans le Guide d'utilisation et d'entretien.

6. Lire le Guide d'utilisation et d'entretien.
7. Mettre en marche les brûleurs de surface et le four. Pour des instructions spécifiques concernant l'utilisation de la cuisinière, consulter le Guide d'utilisation et d'entretien.

Si la cuisinière ne fonctionne pas, contrôler ce qui suit :

- Les fusibles du domicile sont intacts et bien serrés, et le disjoncteur ne s'est pas déclenché.
 - Cuisinière branchée directement sur une prise de courant à 3 alvéoles, reliée à la terre.
 - Le raccordement de l'alimentation électrique a été effectué.
 - Consulter la section "Dépannage" dans le Guide d'utilisation et d'entretien.
8. Après 5 minutes de fonctionnement de la cuisinière, évaluer le niveau de chaleur. Si la cuisinière est froide, arrêter la cuisinière et déterminer si le robinet d'arrêt d'alimentation en gaz est ouvert.
 - Si le robinet d'arrêt de l'alimentation en gaz est fermé, l'ouvrir, puis répéter le test de 5 minutes décrit ci-dessus.
 - Si le robinet d'arrêt de l'alimentation en gaz est ouvert, appuyer sur le bouton CANCEL (annulation) sur le tableau de commande du four et contacter un technicien qualifié.

Si vous avez besoin d'assistance ou de service :

Veillez consulter la section "Assistance ou service" dans le Guide d'utilisation et d'entretien ou contacter le revendeur qui vous a vendu la cuisinière.

CONVERSIONS POUR CHANGEMENT DE GAZ

Les conversions pour changement de gaz naturel à propane ou de propane à gaz naturel doivent être effectuées par un installateur qualifié.

⚠ AVERTISSEMENT



Risque d'explosion

Utiliser une canalisation neuve d'arrivée de gaz approuvée par la CSA International.

Installer un robinet d'arrêt.

Bien serrer chaque organe de connexion de la canalisation de gaz.

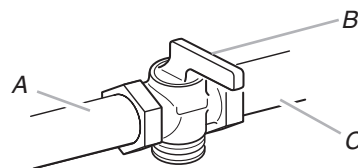
En cas de connexion au gaz propane, demander à une personne qualifiée de s'assurer que la pression de gaz ne dépasse pas 36 cm (14 po) de la colonne d'eau.

Par personne qualifiée, on comprend :

le personnel autorisé de chauffage,
le personnel autorisé d'une compagnie de gaz, et
le personnel d'entretien autorisé.

Le non-respect de ces instructions peut causer un décès, une explosion ou un incendie.

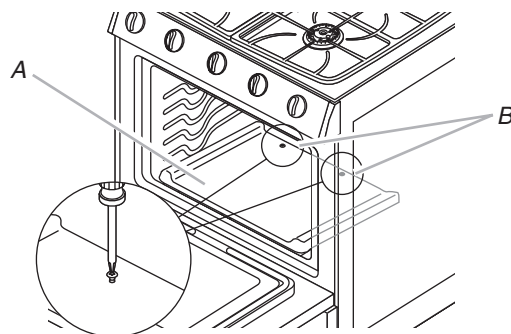
2. Débrancher la cuisinière ou déconnecter la source de courant électrique.



A. Vers la cuisinière
B. Robinet d'arrêt (position de fermeture)
C. Canalisation de gaz

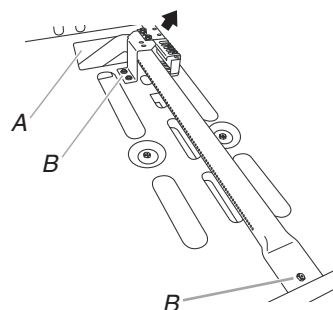
Conversion du détendeur

1. Retirer les grilles de four de la cavité du four.
2. Retirer le tiroir de remisage. Voir la section "Réinstallation des grilles du four et du tiroir de remisage".
3. Enlever la porte. Voir la section "Porte du four" dans le Guide d'utilisation et d'entretien pour obtenir des instructions relatives à la dépose de la porte.
4. À l'aide d'un tournevis Phillips, ôter les deux vis du couvercle du brûleur de cuisson au four situées à l'arrière du four et les mettre de côté.



A. Couvercle du brûleur de cuisson au four
B. Vis du couvercle du brûleur de cuisson au four

5. Soulever et enlever le couvercle du brûleur de cuisson au four.
6. Enlever les trois vis du brûleur de cuisson au four et les mettre de côté.
7. Faire basculer le brûleur sur le côté, le soulever de l'orifice du four et le mettre de côté.



A. Orifice du four
B. Vis du brûleur de cuisson au four

Conversion de Gaz naturel à Propane

⚠ AVERTISSEMENT



Risque de basculement

Un enfant ou une personne adulte peut faire basculer la cuisinière ce qui peut causer un décès.

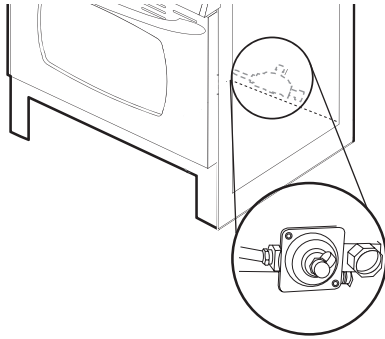
Joindre la bride antibasculement au pied arrière de la cuisinière.

Joindre de nouveau la bride antibasculement si la cuisinière est déplacée.

Le non-respect de ces instructions peut causer un décès ou des brûlures graves aux enfants et aux adultes.

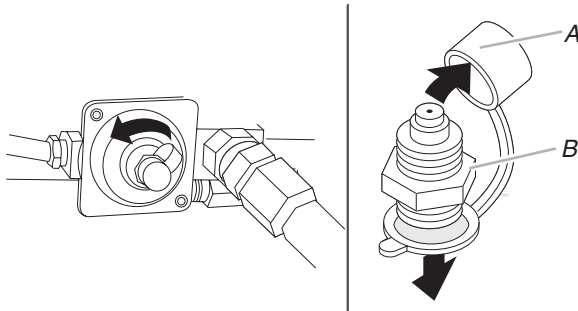
1. Fermer le robinet d'arrêt manuel.

8. Déterminer l'emplacement du détendeur à l'arrière de la cuisinière.



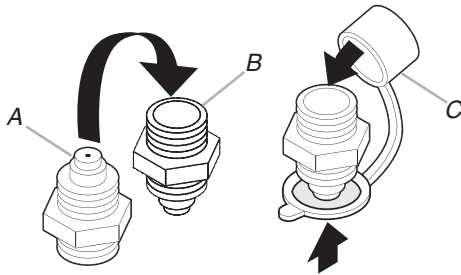
IMPORTANT : Ne pas enlever le détendeur.

9. Dévisser le chapeau du détendeur et ôter le couvercle en plastique.



A. Couvercle en plastique
B. Chapeau du détendeur

10. Retourner le chapeau du détendeur et remettre en place le couvercle en plastique.

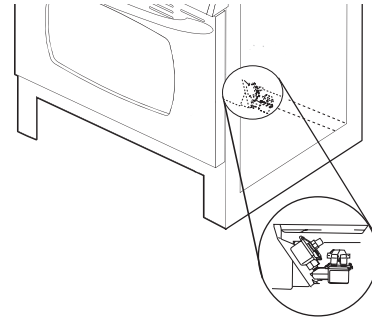


A. Position correspondant au gaz naturel
B. Position correspondant au gaz propane
C. Couvercle de plastique

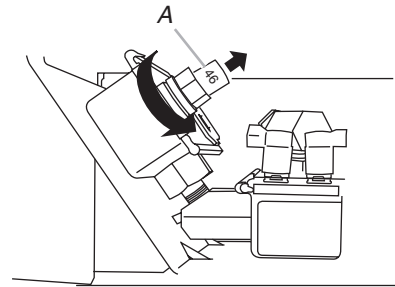
11. Révisser le chapeau du détendeur pour le remettre en place. Ne pas serrer excessivement.

Conversion du brûleur de cuisson au four

1. Déterminer l'emplacement du gicleur du four depuis l'avant de la cuisinière.

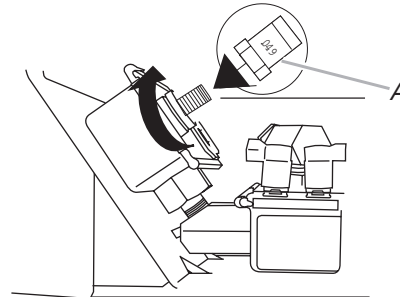


2. Enlever l'injecteur femelle de cuisson au four pour gaz naturel numéro 46 en le tournant dans le sens antihoraire au moyen d'une clé à molette.



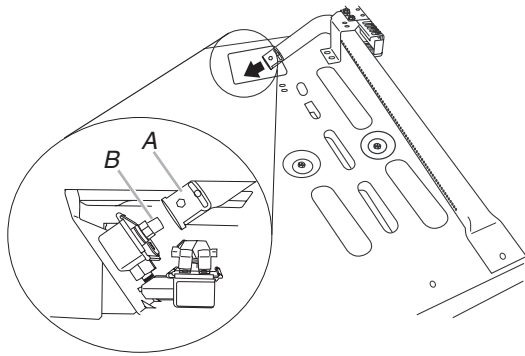
A. Injecteur femelle de cuisson au four pour gaz naturel numéro 46

3. Installer l'injecteur femelle de cuisson au four pour gaz propane numéro .049 en le tournant dans le sens horaire de 4 ou 5 tours. Ne pas serrer excessivement.



A. Injecteur femelle pour gaz propane numéro .049

- Positionner le brûleur de cuisson au four au-dessus de l'injecteur femelle et le réinstaller à l'aide de trois vis.

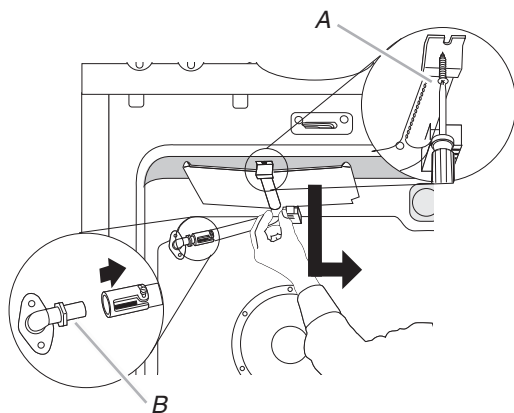


A. Brûleur de cuisson au four
B. Injecteur femelle du brûleur de cuisson au four

- Remettre en place le couvercle du brûleur de cuisson au four.

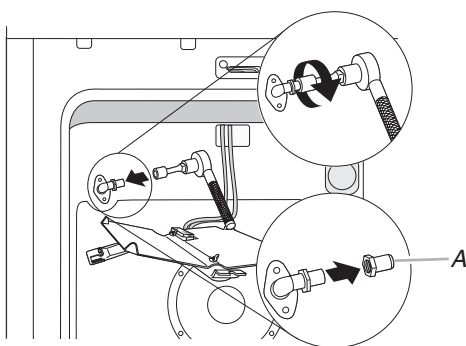
Conversion du brûleur du grill

- Ôter la vis du brûleur du grill et la mettre de côté.
- Enlever le brûleur du grill de l'injecteur femelle. Le brûleur du grill va pendre à l'arrière du four pendant l'opération de remplacement de l'injecteur femelle.



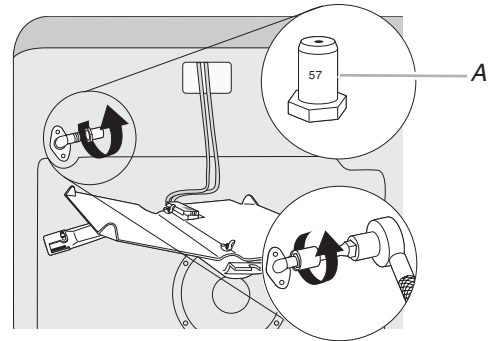
A. Vis du brûleur du grill
B. Injecteur femelle du brûleur du grill

- Enlever l'injecteur femelle du brûleur du grill pour gaz naturel de taille 1,65 mm en le tournant dans le sens antihoraire.



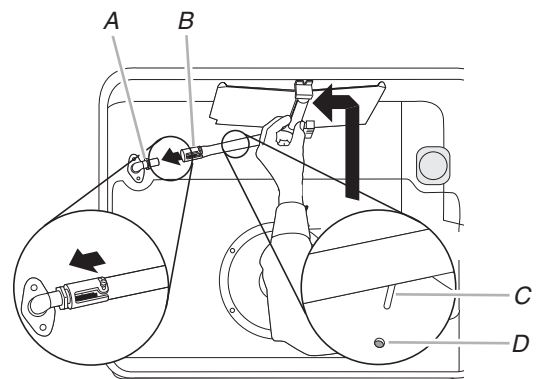
A. Injecteur femelle du brûleur du grill pour gaz naturel de taille 1,65 mm

- Installer l'injecteur femelle du brûleur du grill pour gaz propane numéro 57 en le tournant dans le sens des aiguilles d'une montre de 4 ou 5 tours. Ne pas serrer excessivement.



A. Injecteur femelle du brûleur du grill pour gaz propane numéro 57

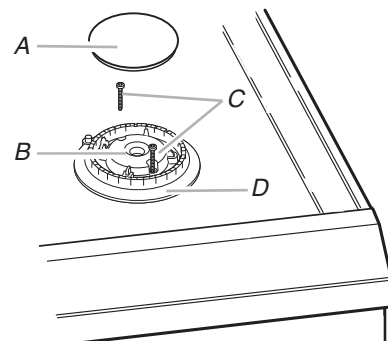
- Placer le brûleur du grill sur l'injecteur femelle. Insérer la tige de positionnement du brûleur du grill dans le trou de positionnement situé à l'arrière du four.
- Positionner le brûleur du grill contre le plafond de la cavité du four et le fixer au moyen d'une vis.



A. Injecteur femelle du brûleur du grill
B. Brûleur du grill
C. Tige de positionnement du brûleur du grill
D. Trou de positionnement du brûleur du grill

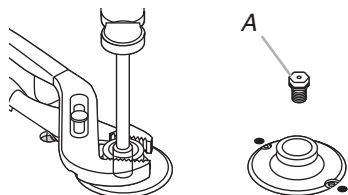
Conversion des brûleurs de surface

- Enlever les grilles de brûleur si elles sont installées.
- Ôter les chapeaux de brûleur.
- Avec un tournevis Phillips, enlever la base du brûleur.



A. Chapeau de brûleur
B. Ouverture du tube d'arrivée de gaz
C. Vis de la base du brûleur
D. Base du brûleur

4. Appliquer du ruban adhésif de masquage à l'extrémité d'un tourne-écrou de $\frac{9}{32}$ " (7,0 mm) pour retenir le gicleur de brûleur pour gaz naturel dans le tourne-écrou durant l'extraction. Positionner le tourne-écrou sur le gicleur pour gaz naturel; tourner dans le sens antihoraire pour dévisser, et extraire le gicleur. Mettre de côté le gicleur pour gaz naturel.



A. Gicleur pour gaz naturel

Le tableau qui suit permet de sélectionner le gicleur pour gaz propane correct pour chaque brûleur. Se référer à la plaque signalétique se trouvant en bas à droite du châssis avant pour déterminer la taille adéquate des gicleurs pour gaz propane pour chacun des brûleurs.

Tableau de sélection des gicleurs pour gaz propane

Puissance thermique	Couleur	Taille	Numéro d'identification
4 000 BTU	Bleu	0,64 mm	64L
5 000 BTU	Jaune/blanc	0,70 mm	70L
7 000 BTU	Jaune/vert	0,84 mm	84L
8 000 BTU	Jaune/noir	0,85 mm	85L
9 100 BTU	Transparent	0,91 mm	91L
10 500 BTU	Vert	0,97 mm	97L
11 000 BTU	Jaune/marron	0,99 mm	99L
14 000 BTU	Rouge	1,14 mm	114L
14 200 BTU	Jaune/orange	1,07 mm	107L

- Remplacer le gicleur pour gaz naturel par le gicleur pour propane correct. Voir le "Tableau de sélection des gicleurs pour gaz propane".
- Réinstaller la base de brûleur et serrer les vis à la main.
- Réinstaller le chapeau de brûleur.
- Répéter les étapes 1 à 7 pour les autres brûleurs.
- Placer les gicleurs pour gaz naturel dans le sachet de plastique et avec les documents fournis avec l'appareil, pour pouvoir les réutiliser ultérieurement.
- Réinstaller les grilles des brûleurs.
- Remettre en place le tiroir de remisage. Voir la section "Réinstallation des grilles de four et du tiroir de remisage" pour des instructions.
- Remettre en place la porte du four. Voir la section "Porte du four" dans le guide d'utilisation et d'entretien.
- Achever l'installation. Voir les sections "Raccordement au gaz" et "Système d'allumage électronique".

Il est très important de vérifier l'établissement de flammes correctes sur les brûleurs de la table de cuisson. Le petit cône intérieur devrait avoir une flamme bleue très nette de $\frac{1}{4}$ " à $\frac{1}{2}$ " de longueur. Le cône extérieur n'est pas aussi net que le cône intérieur. Les flammes produites par du gaz propane comportent une pointe légèrement jaune.

IMPORTANT : Il peut être nécessaire de modifier le réglage du débit thermique minimum pour chaque brûleur de la table de cuisson.

Conversion pour l'alimentation au gaz naturel

⚠ AVERTISSEMENT



Risque de basculement

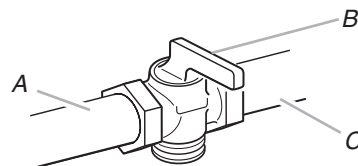
Un enfant ou une personne adulte peut faire basculer la cuisinière ce qui peut causer un décès.

Joindre la bride antibasculement au pied arrière de la cuisinière.

Joindre de nouveau la bride antibasculement si la cuisinière est déplacée.

Le non-respect de ces instructions peut causer un décès ou des brûlures graves aux enfants et aux adultes.

- Placer le robinet d'arrêt manuel à la position de fermeture.
- Débrancher la cuisinière ou déconnecter la source de courant électrique.

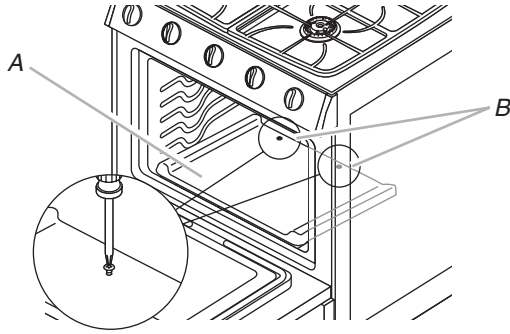


A. Vers la cuisinière
B. Robinet d'arrêt (position de fermeture)
C. Canalisation d'alimentation en gaz

Conversion du détendeur

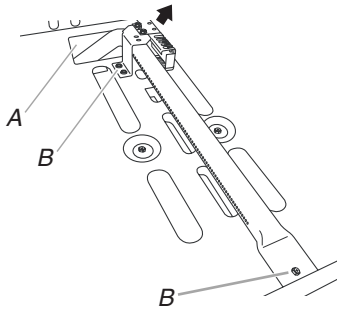
- Retirer toutes les grilles de l'intérieur de la cavité du four.
- Retirer le tiroir de remisage. Voir la section "Réinstallation des grilles du four et du tiroir de remisage".
- Enlever la porte du four. Voir la section "Porte du four" dans le guide d'utilisation et d'entretien pour obtenir des instructions relativement à la dépose de la porte.

4. À l'aide d'un tournevis Phillips, enlever les deux vis du couvercle du brûleur de cuisson au four situées à l'arrière du four.



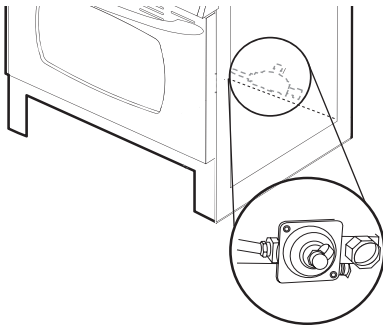
A. Couvercle du brûleur de cuisson au four
B. Vis du couvercle du brûleur de cuisson au four

5. Soulever et enlever le couvercle du brûleur de cuisson au four.
6. Ôter les trois vis du brûleur de cuisson au four et les mettre de côté.
7. Faire basculer le brûleur de cuisson au four sur le côté, le soulever de l'orifice du four et le mettre de côté.

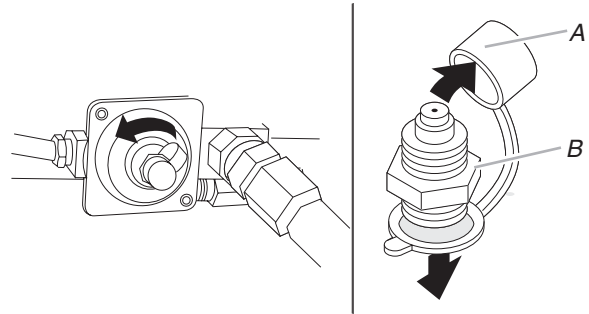


A. Orifice du four
B. Vis du brûleur de cuisson au four

8. Déterminer l'emplacement du détendeur à l'arrière de la cuisinière.

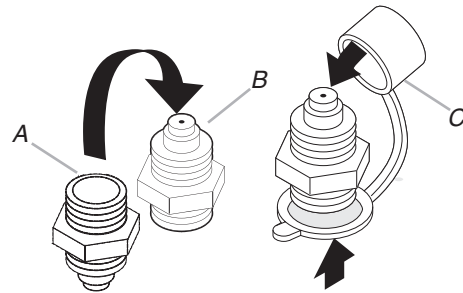


9. Dévisser le chapeau du détendeur et ôter le couvercle en plastique.



A. Couvercle de plastique
B. Chapeau du détendeur

10. Retourner le chapeau du détendeur et remettre en place le couvercle en plastique.

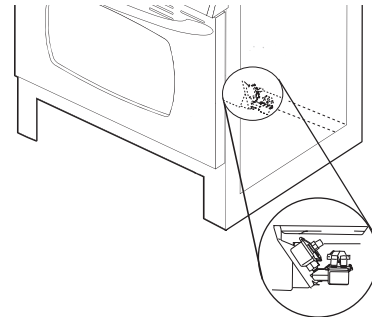


A. Position correspondant au gaz propane
B. Position correspondant au gaz naturel
C. Couvercle en plastique

11. Visser le chapeau du détendeur fermement en place. Ne pas serrer excessivement.

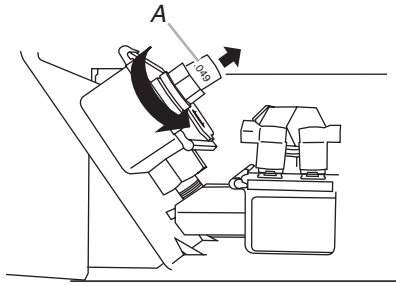
Conversion du brûleur de cuisson au four

1. Déterminer l'emplacement de l'injecteur femelle du four à partir de la partie avant de la cuisinière.



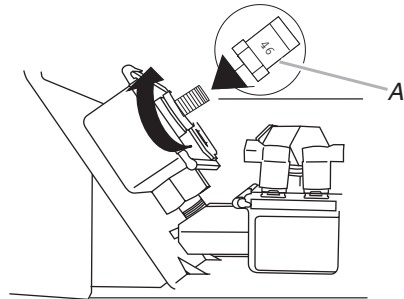
IMPORTANT : Ne pas enlever le détendeur.

- Enlever le gicleur de l'injecteur femelle de cuisson au four pour gaz propane numéro .049 en le tournant dans le antihoraire au moyen d'une clé à molette.



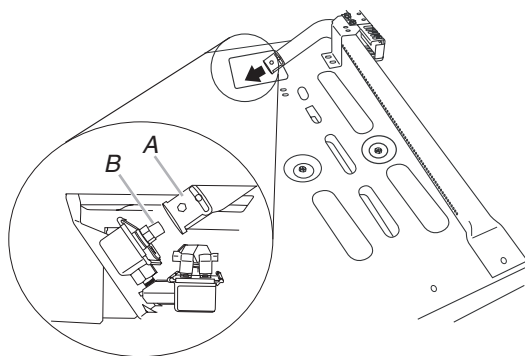
A. Injecteur femelle du brûleur de cuisson au four pour gaz propane numéro .049

- Installer l'injecteur femelle du brûleur de cuisson au four pour gaz naturel numéro 46 en le tournant dans le sens horaire de 4 ou 5 tours. Ne pas serrer excessivement.



A. Injecteur femelle du brûleur de cuisson au four pour gaz naturel numéro 46

- Positionner le brûleur de cuisson au four au-dessus de l'injecteur femelle et le fixer au moyen de trois vis.

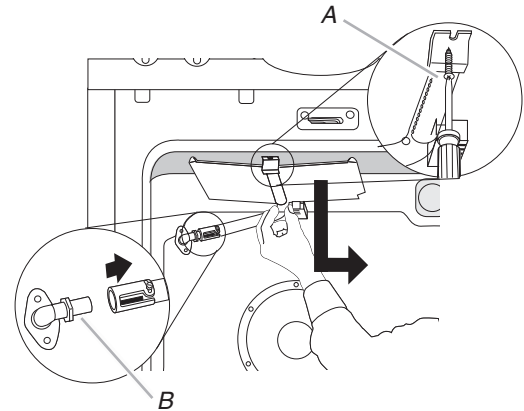


A. Brûleur de cuisson au four
B. Injecteur femelle du brûleur de cuisson au four

- Remettre en place le couvercle du brûleur de cuisson au four.

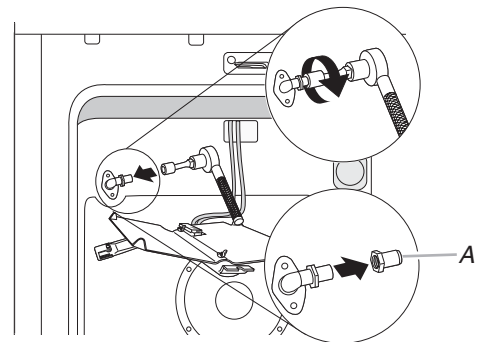
Conversion du brûleur du grill

- Enlever la vis du brûleur du grill et la mettre de côté.
- Enlever le brûleur du grill de l'injecteur femelle. Le brûleur va pendre à l'arrière du four pendant l'opération de remplacement de l'injecteur femelle.



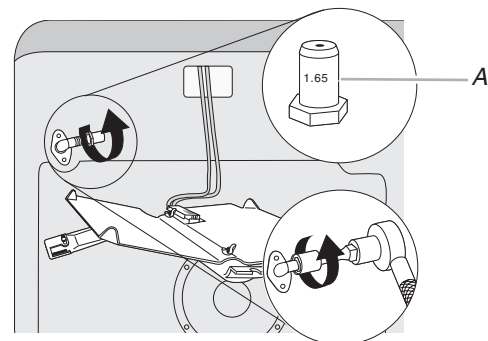
A. Vis du brûleur du grill
B. Injecteur femelle du brûleur du grill

- Enlever l'injecteur femelle du brûleur du grill pour gaz propane numéro 57 en le tournant dans le sens antihoraire.



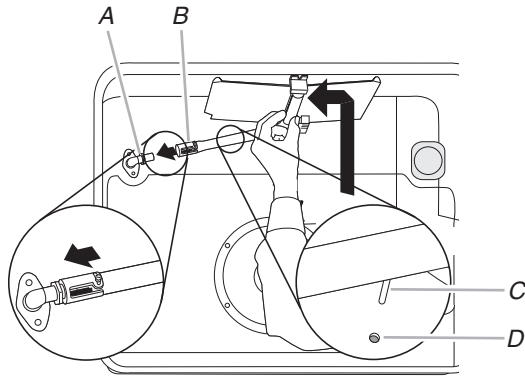
A. Injecteur femelle du brûleur du grill pour gaz propane numéro 57

- Installer l'injecteur femelle du brûleur du grill pour gaz naturel de taille 1,65 mm en le tournant dans le sens horaire de 4 ou 5 tours. Ne pas serrer excessivement.



A. Injecteur femelle du brûleur du grill pour gaz naturel de taille 1,65 mm

- Placer le brûleur du grill sur l'injecteur femelle. Insérer la tige de positionnement du brûleur du grill dans le trou de positionnement situé à l'arrière du four.
- Positionner le brûleur du grill contre le plafond de la cavité du four et le fixer au moyen d'une vis.



A. Injecteur femelle du brûleur de grill
 B. Brûleur du grill
 C. Tige de positionnement du brûleur du grill
 D. Trou de positionnement du brûleur du grill

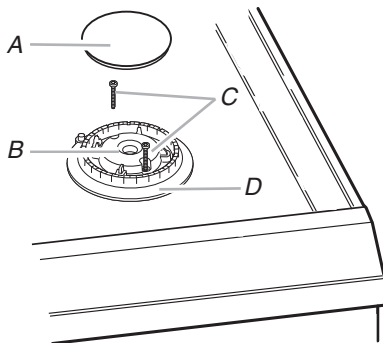
Se servir du tableau suivant pour déterminer quel gicleur pour gaz naturel convient à chaque brûleur. Se référer à la plaque signalétique des numéros de modèle et de série située en bas à droite du châssis avant pour déterminer la taille adéquate des gicleurs pour gaz naturel pour chacun des brûleurs.

Tableau de sélection des gicleurs pour gaz naturel

Puissance thermique	Couleur	Taille	Numéro
5 000 BTU	Transparent ou rouge/laiton	1,10 mm	110N
7 000 BTU	Rouge/vert	1,32 mm	132N
9 200 BTU	Transparent	1,50 mm	150N
9 500 BTU	Rouge/marron	1,55 mm	155N
12 000 BTU	Transparent	1,70 mm	170N
12 000 BTU	Rouge/jaune	1,80 mm	180N
13 500 BTU	Rouge/bleu	1,85 mm	185N
14 200 BTU	Rouge/orange	1,90 mm	190N
16 000 BTU	Transparent	1,95 mm	195N
17 000 BTU	Rouge/magenta	2,10 mm	210N

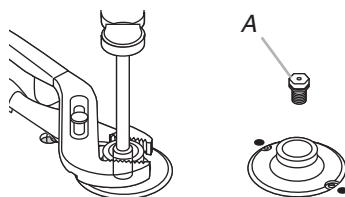
Conversion des brûleurs de surface

- Enlever les grilles de brûleur si elles sont installées.
- Ôter les chapeaux de brûleur.
- À l'aide d'un tournevis Phillips, retirer la base du brûleur.



A. Chapeau de brûleur
 B. Ouverture du tube d'arrivée de gaz
 C. Vis de la base du brûleur
 D. Base du brûleur

- Appliquer du ruban adhésif de masquage à l'extrémité d'un tourne-écrou de $\frac{9}{32}$ " (7,0 mm) pour retenir le gicleur du brûleur pour gaz propane dans le tourne-écrou durant l'extraction. Placer le tourne-écrou sur le gicleur pour gaz propane; faire tourner dans le sens antihoraire et soulever pour enlever le gicleur. Mettre de côté le gicleur pour gaz propane.



A. Gicleur pour gaz propane

- Remplacer le gicleur pour gaz propane par le gicleur correct pour gaz naturel. Voir le "Tableau de sélection des gicleurs pour gaz naturel".
- Remettre en place la base du brûleur et serrer les vis à la main.
- Réinstaller le chapeau de brûleur.
- Répéter les étapes 1 à 7 pour les autres brûleurs.
- Placer les gicleurs pour gaz propane dans le sachet de plastique et avec les documents fournis avec l'appareil, pour pouvoir les réutiliser ultérieurement.
- Réinstaller les grilles des brûleurs.
- Remettre en place le tiroir de remisage. Voir la section "Réinstallation des grilles de four et du tiroir de remisage" pour des instructions.
- Réinstaller la porte du four. Voir la section "Porte du four" dans le guide d'utilisation et d'entretien.
- Achever l'installation. Voir les sections "Raccordement au gaz" et "Système d'allumage électronique".

Il est très important de vérifier l'établissement de flammes correctes sur les brûleurs de la table de cuisson. Le petit cône intérieur devrait avoir une flamme très nette de $\frac{1}{4}$ " à $\frac{1}{2}$ " de longueur. Le cône extérieur n'est pas aussi net que le cône intérieur. Les flammes produites par le gaz naturel ne comportent pas de pointe jaune.

IMPORTANT : Il peut être nécessaire de modifier le réglage des flammes à la position du débit thermique minimum pour chaque brûleur de la table de cuisson.

Notes

