



ELECTRONIC DRYER USE AND CARE GUIDE

GUIDE D'UTILISATION ET D'ENTRETIEN DE LA SÉCHEUSE ÉLECTRONIQUE

MANUAL DE USO Y CUIDADO DE LA SECADORA ELECTRÓNICA

Table of Contents	Table des matières	Tabla de contenidos
DRYER SAFETY.....2	SÉCURITÉ DE LA SÉCHEUSE 11	SEGURIDAD DE LA SECADORA.....20
CHECK YOUR VENT SYSTEM FOR GOOD AIRFLOW4	VÉRIFICATION D'UNE CIRCULATION D'AIR ADÉQUATE POUR LE SYSTÈME D'ÉVACUATION 13	REVISE QUE EL SISTEMA DE VENTILACIÓN TENGA UN BUEN FLUJO DE AIRE22
CONTROL PANEL AND FEATURES5	TABLEAU DE COMMANDE ET CARACTÉRISTIQUES 14	PANEL DE CONTROL Y CARACTERÍSTICAS23
CYCLE GUIDE – TIMED DRY5	GUIDE DE PROGRAMMES – SÉCHAGE MINUTÉ 14	GUÍA DE CICLOS – TIMED DRY (SECADO PROGRAMADO)23
CYCLE GUIDE – SENSOR CYCLES6	GUIDE DE PROGRAMMES – PROGRAMMES DE DÉTECTION 15	GUÍA DE CICLOS – SENSOR CYCLES (CICLOS CON SENSOR).....24
USING YOUR DRYER.....6	UTILISATION DE LA SÉCHEUSE 15	USO DE SU SECADORA24
DRYER CARE7	ENTRETIEN DE LA SÉCHEUSE...16	CUIDADO DE LA SECADORA.....25
TROUBLESHOOTING.....9	DÉPANNAGE.....18	SOLUCIÓN DE PROBLEMAS.....27
ASSISTANCE OR SERVICE BACK COVER	ASSISTANCE OU SERVICE...COUVERTURE ARRIÈRE	AYUDA O SERVICIO TÉCNICOCONTRAPORTADA

DRYER SAFETY

Your safety and the safety of others are very important.

We have provided many important safety messages in this manual and on your appliance. Always read and obey all safety messages.



This is the safety alert symbol.

This symbol alerts you to potential hazards that can kill or hurt you and others.

All safety messages will follow the safety alert symbol and either the word "DANGER" or "WARNING." These words mean:

 **DANGER**

You can be killed or seriously injured if you don't immediately follow instructions.

 **WARNING**

You can be killed or seriously injured if you don't follow instructions.

All safety messages will tell you what the potential hazard is, tell you how to reduce the chance of injury, and tell you what can happen if the instructions are not followed.



WARNING - "Risk of Fire"

- Clothes dryer installation must be performed by a qualified installer.
- Install the clothes dryer according to the manufacturer's instructions and local codes.
- Do not install a clothes dryer with flexible plastic venting materials or flexible metal (foil type) duct. If flexible metal duct is installed, it must be of a specific type identified by the appliance manufacturer as suitable for use with clothes dryers. Flexible venting materials are known to collapse, be easily crushed, and trap lint. These conditions will obstruct clothes dryer airflow and increase the risk of fire.
- To reduce the risk of severe injury or death, follow all installation instructions.
- Save these instructions.

IMPORTANT SAFETY INSTRUCTIONS

WARNING: To reduce the risk of fire, electric shock, or injury to persons when using the dryer, follow basic precautions, including the following:

- Read all instructions before using the dryer.
- Do not place items exposed to cooking oils in your dryer. Items contaminated with cooking oils may contribute to a chemical reaction that could cause a load to catch fire.
- Do not dry articles that have been previously cleaned in, washed in, soaked in, or spotted with gasoline, dry-cleaning solvents, other flammable, or explosive substances as they give off vapors that could ignite or explode.
- To reduce the risk of fire due to contaminated loads, the final part of a tumble dryer cycle occurs without heat (cool down period). Avoid stopping a tumble dryer before the end of the drying cycle unless all items are quickly removed and spread out so that the heat is dissipated.
- Do not allow children to play on or in the dryer. Close supervision of children is necessary when the dryer is used near children.
- Before the dryer is removed from service or discarded, remove the doors to the dryer compartment.
- Do not reach into the dryer if the drum is moving.
- Do not install or store the dryer where it will be exposed to the weather.
- Do not tamper with controls.
- Do not repair or replace any part of the dryer or attempt any servicing unless specifically recommended in this Use and Care Guide or in published user-repair instructions that you understand and have the skills to carry out.
- Do not use fabric softeners or products to eliminate static unless recommended by the manufacturer of the fabric softener or product.
- Do not use heat to dry articles containing foam rubber or similarly textured rubber-like materials.
- Clean lint screen before or after each load.
- Keep area around the exhaust opening and adjacent surrounding areas free from the accumulation of lint, dust, and dirt.
- The interior of the dryer and exhaust vent should be cleaned periodically by qualified service personnel.
- See "Electrical Requirements" located in the installation instructions for grounding instructions.
- **WARNING:** Risk of Fire. Do not install a booster fan in the exhaust duct.
NOTE: The booster fan warning does not apply to clothes dryers intended to be installed in a multiple clothes dryer system, with an engineered exhaust duct system that is installed per the clothes dryer manufacturer's guidelines.
- The back of the dryer shall be installed against a wall. Refer to the minimum installation dimensions/clearances in the diagrams.

SAVE THESE INSTRUCTIONS

WARNING:

FIRE OR EXPLOSION HAZARD

Failure to follow safety warnings exactly could result in serious injury, death or property damage.

- Do not store or use gasoline or other flammable vapors and liquids in the vicinity of this or any other appliance.
- **WHAT TO DO IF YOU SMELL GAS:**
 - Do not try to light any appliance.
 - Do not touch any electrical switch; do not use any phone in your building.
 - Clear the room, building, or area of all occupants.
 - Immediately call your gas supplier from a neighbor's phone. Follow the gas supplier's instructions.
 - If you cannot reach your gas supplier, call the fire department.
- Installation and service must be performed by a qualified installer, service agency, or the gas supplier.

WARNING: Gas leaks cannot always be detected by smell.

Gas suppliers recommend that you use a gas detector approved by UL or CSA.

For more information, contact your gas supplier.

If a gas leak is detected, follow the "What to do if you smell gas" instructions.

CHECK YOUR VENT SYSTEM FOR GOOD AIRFLOW

⚠ WARNING



Fire Hazard

Use a heavy metal vent.

Do not use a plastic vent.

Do not use a metal foil vent.

Failure to follow these instructions can result in death or fire.

Good Airflow

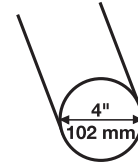
Along with heat, dryers require good airflow to efficiently dry laundry. Proper venting will reduce your drying times and improve your energy savings. See Installation Instructions.

The venting system attached to the dryer plays a big role in good airflow.

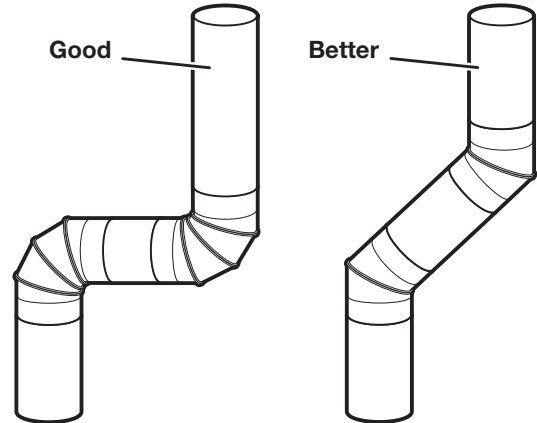
Service calls caused by improper venting are not covered by the warranty and will be paid by the customer, regardless of who installed the dryer.

Maintain good airflow by:

- Cleaning your lint screen before each load.
- Replace plastic or foil vent material with 4" (102 mm) diameter heavy, rigid vent material.

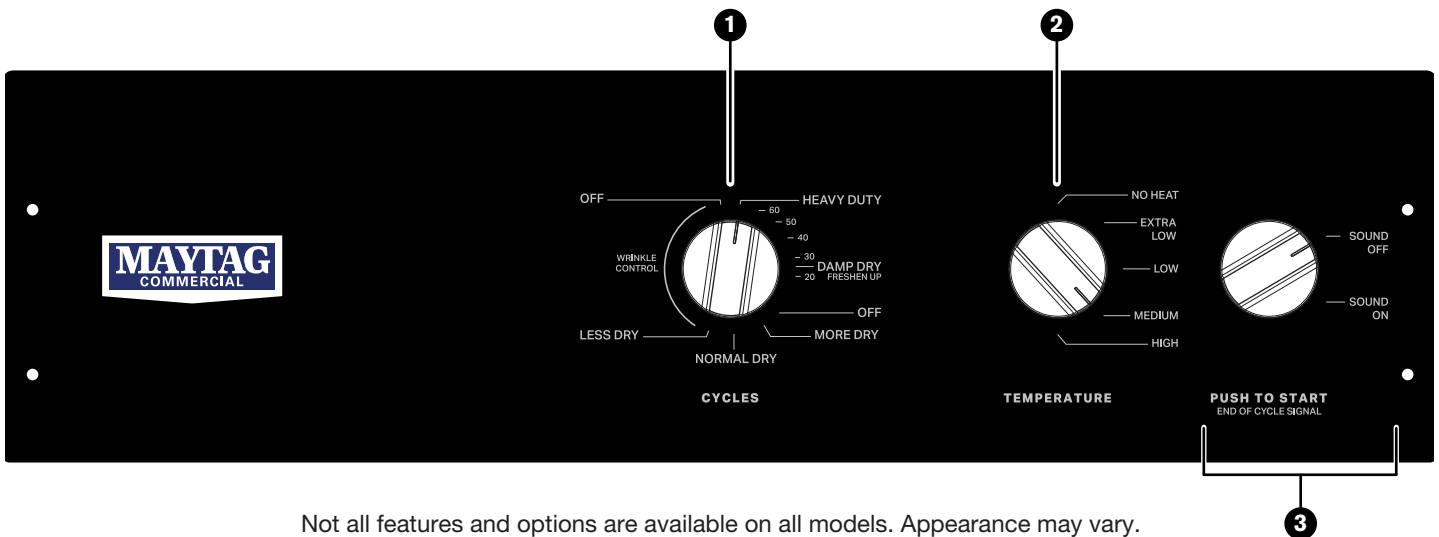


- Use the shortest length of vent possible.
- Use no more than four 90° elbows in a vent system; each bend and curve reduces airflow.



- Remove lint and debris from the exhaust hood.
- Remove lint from the entire length of the vent system at least every two years. When cleaning is complete, be sure to follow the Installation Instructions supplied with your dryer for final product check.
- Clear away items from the front the dryer.

CONTROL PANEL AND FEATURES



Not all features and options are available on all models. Appearance may vary.

1 DRYER CYCLE KNOB

Use your Dryer Cycle knob to select available cycles on your dryer. Turn the knob to select a cycle for your laundry load. See the “Cycle Guide” chart for detailed descriptions of cycles.

TIMED DRY

Will run the dryer for the specified time on the control. On models with a selectable temperature knob, you may choose a setting based on the fabrics in your load. Drying time and temperature will depend on your dryer model.

SENSOR CYCLES/DRYNESS LEVEL

Senses moisture in the load and air temperature and shuts off when the load reaches the selected dryness level. This setting gives the best drying in the shortest time. Drying time will vary based on fabric type, load size, and dryness setting.

2 TEMPERATURE

Select a drying temperature based on the fabrics in your load. If you are unsure of the temperature to select for a load, select the lower setting rather than the higher setting.

NOTE: The No Heat Temperature feature is not available on the sensor cycles.

3 PUSH TO START END OF CYCLE SIGNAL

Press to start a cycle or rotate to turn sound on/off.

CYCLE GUIDE – TIMED DRY

Not all cycles and settings are available on all models.

TIMED DRY – Will run the dryer for the specified time on the control. Depending on model, temperature may be selected on cycle knob or be a separate control.

Items to Dry:	Cycle:	Temperature:	Cycle Details:
Heavy or bulky items	Heavy Duty*	Any	Completes drying if items are still damp.
Any load	Timed Dry	Any	Dries items to a damp level for items that do not require an entire drying cycle. Select a drying temperature based on the fabrics in your load. If you are unsure of the temperature to select for a load, select the lower setting rather than the higher setting.
Rubber, plastic, heat-sensitive fabrics	Timed Dry	No Heat	Use a no-heat setting for foam, rubber, plastic, or heat-sensitive fabrics.
SPECIAL SETTING†:			
Any load	Wrinkle Control†	No Heat	After a cycle is complete, the load is periodically tumbled to avoid wrinkles until you are ready to remove it.

* **NOTE:** This clothes dryer’s Government energy certifications were based on the 60-minute/Timed Dry Cycle, and Maximum Drying Temperature Setting. The as-shipped defaults of Normal Dry, Medium Temperature, and Sound Off were not used.

†This setting is added at the end of certain cycles to reduce wrinkling.

CYCLE GUIDE – SENSOR CYCLES

Not all cycles and settings are available on all models.


SENSOR CYCLES – Sense moisture in the load or air temperature and shuts off when the load reaches the selected dryness level.

Depending on model, temperature may be selected on cycle knob or be a separate control.

Items to Dry:	Cycle:	Temperature:	Cycle Details:
Jeans, heavy work clothes, towels	More Dry	High	Gives fabric the best drying in the shortest time. Drying time varies based on fabric type, load size, and dryness setting. Select a drying temperature based on the fabrics in your load. If you are unsure of the temperature to select for a load, select the lower setting rather than the higher setting.
Work clothes, medium weight fabrics, sheets	Normal Dry	Medium	
Casual, shirts, pants, lightweight items, synthetics, delicates, athletic wear	Less Dry	Low	

USING YOUR DRYER

⚠ WARNING




Explosion Hazard

Keep flammable materials and vapors, such as gasoline, away from dryer.

Do not dry anything that has ever had anything flammable on it (even after washing).

Failure to follow these instructions can result in death, explosion, or fire.

⚠ WARNING



Fire Hazard

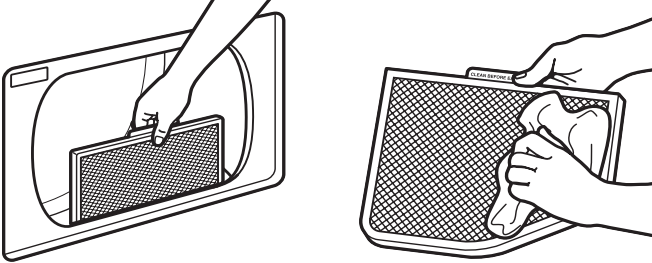
No washer can completely remove oil.

Do not dry anything that has ever had any type of oil on it (including cooking oils).

Items containing foam, rubber, or plastic must be dried on a clothesline or by using an Air Cycle.

Failure to follow these instructions can result in death or fire.

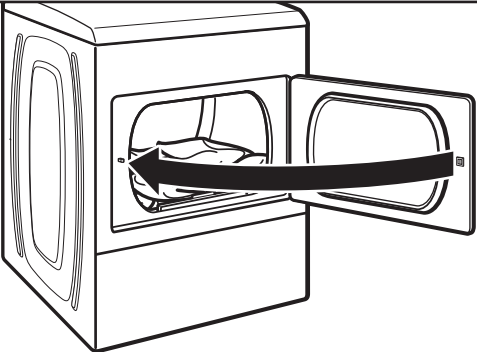
1. Clean the lint screen



Clean the lint screen before each load. Pull the lint screen straight up. Roll lint off the screen with your fingers. Do not rinse or wash screen to remove lint. Push the lint screen firmly back into place.

For additional cleaning information, see the “Dryer Care” section.

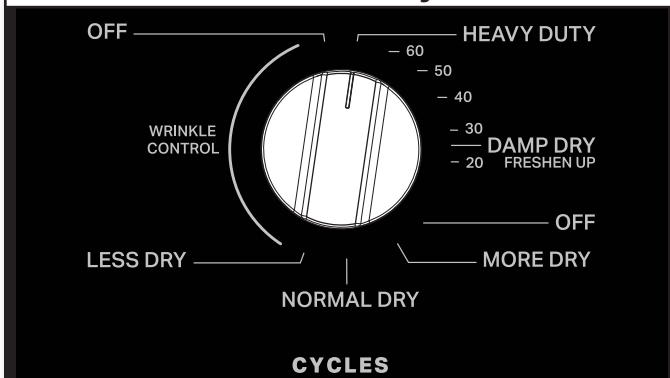
2. Load the dryer



Place laundry in the dryer. Close the door.

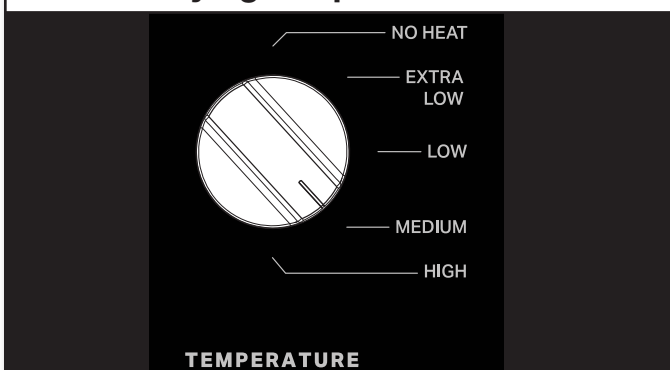
Do not overload the dryer; clothes should be able to tumble freely.

3. Select the desired cycle



Select the desired cycle for your load. See the “Cycle Guide” chart or the display for more information about each cycle.

4. Set drying temperature



Setting dryer temperature:

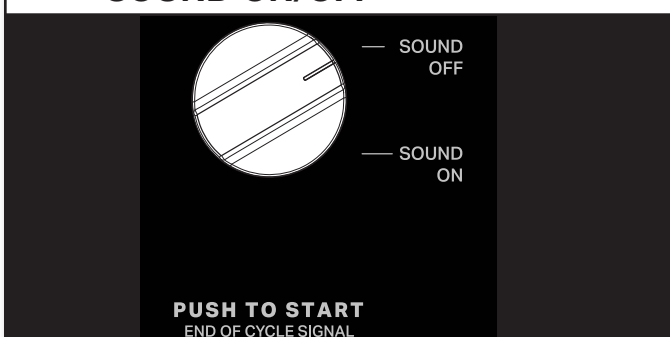
- The high heat setting may be used for drying heavyweight items such as towels and work clothes.
- The Low or Medium heat setting may be used for drying medium-weight items such as sheets, blouses, dresses, underwear, permanent press fabrics, and some knits.
- Use the No Heat (air dry) setting for foam, rubber, plastic, or heat-sensitive fabrics. Line dry bonded or laminated fabrics.

NOTE: If you have questions about drying temperatures for various loads, refer to the care label directions.

Wrinkle Control feature

- Add up to 90 minutes of heat-free, periodic tumbling at the end of a cycle.

5. Press PUSH TO START knob to begin cycle or rotate END OF CYCLE SIGNAL knob to turn SOUND ON/OFF



Press the START knob to begin the cycle. Rotate END OF CYCLE knob to turn sound on/off. Promptly remove garments after cycle has completed to reduce wrinkling.

DRYER CARE

Cleaning the dryer location

Keep dryer area clear and free from items that would block the airflow for proper dryer operation. This includes clearing piles of laundry in front of the dryer.

! WARNING



Explosion Hazard

Keep flammable materials and vapors, such as gasoline, away from dryer.

Place dryer at least 18" (460 mm) above the floor for a garage installation.

Failure to do so can result in death, explosion, or fire.

Cleaning the dryer interior

To clean dryer drum:

1. Apply a liquid, nonflammable household cleaner to the stained area of the drum and rub with a soft cloth until stain is removed.
2. Wipe drum thoroughly with a damp cloth.
3. Tumble a load of clean cloths or towels to dry the drum.

NOTE: Garments that contain loose dyes, such as denim blue jeans or brightly colored cotton items, may discolor the dryer interior. These stains are not harmful to your dryer and will not stain future loads of clothes. Dry these items inside out to avoid drum staining.

Removing accumulated lint

From inside the dryer cabinet

Lint should be removed every two years, or more often, depending on dryer usage. Cleaning should be done by a qualified servicer.

From the exhaust vent

Lint should be removed every two years, or more often, depending on dryer usage.

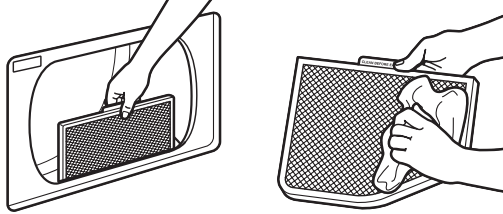
Cleaning the lint screen

Every load cleaning

The lint screen is located in the door opening of the dryer. A screen blocked by lint can increase drying time.

To clean:

1. Pull the lint screen straight up. Roll lint off the screen with your fingers. Do not rinse or wash screen to remove lint. Wet lint is hard to remove.



2. Push the lint screen firmly back into place.

IMPORTANT:

- Do not run the dryer with the lint screen loose, damaged, blocked, or missing. Doing so can cause overheating and damage to both the dryer and fabrics.
- If lint falls off the screen into the dryer during removal, check the exhaust hood and remove the lint. See the "Check Your Vent System for Good Airflow" section.

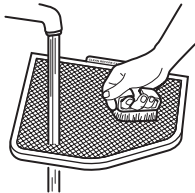
As-needed cleaning

Laundry detergent and fabric softener residue can build up on the lint screen. This buildup can cause longer drying times for your clothes or cause the dryer to stop before your load is completely dry. The screen is probably clogged if lint falls off while the screen is in the dryer.

Clean the lint screen with a nylon brush every 6 months, or more frequently, if it becomes clogged due to a residue buildup.

To wash:

1. Roll lint off the screen with your fingers.
2. Wet both sides of lint screen with hot water.
3. Wet a nylon brush with hot water and liquid detergent. Scrub lint screen with the brush to remove residue buildup.



4. Rinse screen with hot water.
5. Thoroughly dry lint screen with a clean towel. Reinstall screen in dryer.

Vacation, storage, and moving care

Non-Use or Storage Care

Operate your dryer only when you are at home. If you will be on vacation or not using your dryer for an extended period of time, you should:

1. Unplug dryer or disconnect power.
2. Clean lint screen. See the "Cleaning the Lint Screen" section.

Vacation, storage, and moving care (cont.)

Moving Care

For power supply cord-connected dryers:

1. Unplug the power supply cord.
2. Make sure leveling legs are secure in dryer base.
3. Use tape to secure dryer door.

⚠ WARNING



Electrical Shock Hazard

Disconnect power before servicing.

Replace all parts and panels before operating.

Failure to do so can result in death or electrical shock.

For direct-wired dryers:

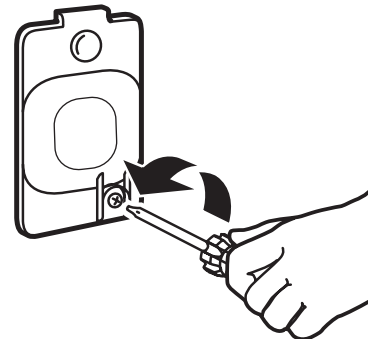
1. Disconnect power.
2. Disconnect wiring.
3. Make sure leveling legs are secure in dryer base.
4. Use tape to secure dryer door.

Reinstalling the Dryer

Follow the Installation Instructions to locate, level, and connect the dryer.

Changing the drum light (on some models)

1. Unplug dryer or disconnect power.
2. Open the dryer door. Locate the light bulb cover on the back wall of the dryer. Using a Phillips-head screwdriver, remove the screw located in the lower right-hand corner of the cover. Remove the cover.



3. Turn bulb counterclockwise. Replace the bulb with a 10 W appliance bulb only. Replace the cover and secure with the screw.
4. Plug in dryer or reconnect power.

TROUBLESHOOTING

First try the solutions suggested here or visit our website at www.maytag.com/help
 In Canada, visit www.maytag.ca for assistance and to possibly avoid a service call.

If you experience	Possible Causes	Solution
Clothes are not drying satisfactorily, drying times are too long, or load is too hot	Lint screen clogged with lint.	Lint screen should be cleaned before each load.
	Load too large and heavy to dry quickly.	Separate the load so it tumbles freely.
	Exhaust vent or outside exhaust hood clogged with lint, restricting air movement.	Run the dryer for 5-10 minutes. Hold your hand under the outside exhaust hood to check air movement. If you do not feel air movement, clean exhaust system of lint or replace exhaust vent with heavy metal or flexible metal vent. See the Installation Instructions.
	Fabric softener sheets blocking the grille.	Use only one fabric softener sheet, and use it only once.
	Exhaust vent not the correct length.	Check that the exhaust vent is not too long or has too many turns. Long venting will increase drying times. See the Installation Instructions.
	Exhaust vent diameter not the correct size.	Use 4" (102 mm) diameter vent material.
	Dryer located in a room with temperature below 45°F (7°C).	Proper operation of dryer cycles requires temperatures above 45°F (7°C).
Dryer will not run	Door not closed completely.	Make sure the dryer door is closed completely.
	Start button not pressed firmly or held long enough.	Press the START button until you hear the dryer drum moving.
	Household fuse is blown or circuit breaker has tripped.	Electric dryers use two household fuses or circuit breakers. The drum may be turning, but you may not have heat. Replace the fuse or reset the circuit breaker. If the problem continues, call a qualified electrician.
	Incorrect power supply.	Electric dryers require 240 V power supply. Check with a qualified electrician.
	Wrong type of fuse.	Use a time-delay fuse.
Unusual sounds	Dryer had a period of non-use.	If the dryer hasn't been used for awhile, there may be a thumping sound during the first few minutes of operation.
	A coin, button, or paper clip is caught between the drum and front or rear of the dryer.	Check the front and rear edges of the drum for small objects. Clean out pockets before laundering garments.
	It is a gas dryer.	The gas valve clicking is a normal operating sound.
	The four legs are not installed, and the dryer is not level front to back and side to side.	The dryer may vibrate if not properly installed. See the Installation Instructions.
	Clothing knotted or balled up.	When balled up, the load will bounce, causing the dryer to vibrate. Separate the load items and restart the dryer.
No heat	Household fuse is blown or circuit breaker has tripped.	The drum may be turning, but you may not have heat. Electric dryers use two household fuses or circuit breakers. Replace both fuses or reset the circuit breaker. If the problem continues, call a qualified electrician.
	Supply line valve not open.	For gas dryers, ensure the valve is open on the supply line.
	Incorrect power supply.	Electric dryers require 240 V power supply. Check with a qualified electrician.

TROUBLESHOOTING

First try the solutions suggested here or visit our website at www.maytag.com/help
 In Canada, visit www.maytag.ca for assistance and to possibly avoid a service call.

If you experience	Possible Causes	Solution
Cycle time too short	Sensor cycle ending early.	<p>The load may not be contacting the sensor strips. Level the dryer.</p> <p>Use a timed dry for very small loads. Change the dryness level setting on sensor cycles. Increasing or decreasing the dryness level will change the amount of drying time in a cycle.</p>
Lint on load	Lint screen clogged.	Lint screen should be cleaned before each load.
Stains on load or drum	Dryer fabric softener not properly used.	Add dryer fabric softener sheets at the beginning of the cycle. Fabric softener sheets added to a partially dried load can stain your garments. Drum stains are caused by dyes in clothing (usually blue jeans). These will not transfer to other clothing.
Loads are wrinkled	Load not removed from dryer at the end of the cycle.	Select Wrinkle Control cycle to tumble the load without heat to avoid wrinkling.
	Dryer tightly packed.	Dry smaller loads that can tumble freely to help prevent wrinkles from forming.
Odors	You have recently been painting, staining, or varnishing in the area where your dryer is located.	If so, ventilate the area. When the odors or fumes are gone from the area, rewash and dry the clothing.
	The electric dryer is being used for the first time.	The new electric heating element may have an odor. The odor will be gone after the first cycle.
Load is too hot	Laundry items removed from the dryer before the end of the cycle.	Allow the dryer to finish the cool-down cycle before removing laundry from dryer. All cycles are cooled slowly to reduce wrinkling and make items easier to handle. Items removed before cooldown may feel very warm.
	A high temperature cycle was used or the Temperature knob was set on High.	Select a lower temperature, and use a sensor drying cycle. These cycles sense the temperature or the moisture level in the load and shut off when the load reaches the selected dryness. This reduces overdrying.

SÉCURITÉ DE LA SÈCHEUSE

Votre sécurité et celle des autres est très importante.

Nous donnons de nombreux messages de sécurité importants dans ce manuel et sur votre appareil ménager. Assurez-vous de toujours lire tous les messages de sécurité et de vous y conformer.



Voici le symbole d'alerte de sécurité.

Ce symbole d'alerte de sécurité vous signale les dangers potentiels de décès et de blessures graves à vous et à d'autres.

Tous les messages de sécurité suivront le symbole d'alerte de sécurité et le mot "DANGER" ou "AVERTISSEMENT". Ces mots signifient :

⚠ DANGER

Risque possible de décès ou de blessure grave si vous ne suivez pas immédiatement les instructions.

⚠ AVERTISSEMENT

Risque possible de décès ou de blessure grave si vous ne suivez pas les instructions.

Tous les messages de sécurité vous diront quel est le danger potentiel et vous disent comment réduire le risque de blessure et ce qui peut se produire en cas de non-respect des instructions.



AVERTISSEMENT - "Risque d'incendie"

- L'installation de la sècheuse à linge doit être effectuée par un installateur qualifié.
- Installer la sècheuse conformément aux instructions du fabricant et aux codes locaux.
- Ne pas installer de sècheuse à linge avec des matériaux d'évacuation en plastique souple ou un conduit métallique souple (de type papier d'aluminium). Si un conduit métallique souple est installé, celui-ci doit être d'un type spécifique identifié par le fabricant de l'appareil et convenir à une utilisation avec les sècheuses à linge. Les matériaux d'évacuation souples sont connus pour s'affaisser, être facilement écrasés et bloquer la charpie. Ces situations obstrueront le débit d'air de la sècheuse à linge et augmenteront le risque d'incendie.
- Pour réduire le risque de blessure grave ou de décès, suivre toutes les instructions d'installation.
- Conserver ces instructions.

IMPORTANTES INSTRUCTIONS DE SÉCURITÉ

AVERTISSEMENT : Afin de réduire le risque d'incendie, de décharge électrique ou de blessures lors de l'utilisation de la sècheuse, il convient d'observer certaines précautions fondamentales, notamment :

- Lire toutes les instructions avant d'utiliser la sècheuse.
- Ne pas placer d'articles tachés d'huile de cuisson dans la sècheuse. Les articles couverts d'huile de cuisson peuvent provoquer une réaction chimique et enflammer la charge de vêtements.
- Ne pas sécher d'articles qui ont été précédemment nettoyés, lavés, trempés ou tachés avec de l'essence, des solvants pour nettoyage à sec ou d'autres substances inflammables ou explosives; ces substances dégagent des vapeurs qui pourraient s'enflammer ou exploser.
- Pour réduire le risque d'incendie dû à des charges contaminées, la partie finale du programme de séchage par culbutage a lieu sans chaleur (période de refroidissement). Éviter d'arrêter une sècheuse en phase de culbutage avant la fin du programme de séchage, à moins de retirer et d'étendre rapidement tous les articles afin que la chaleur se dissipe.
- Ne pas laisser des enfants jouer sur la sècheuse ou à l'intérieur de celle-ci. Une surveillance attentive des enfants est nécessaire lorsque la sècheuse est utilisée à proximité des enfants.
- Avant de retirer la sècheuse du service ou pour la mettre au rebut, enlever la porte.
- Ne pas accéder à l'intérieur de la sècheuse pendant le fonctionnement du tambour.
- Ne pas installer ou entreposer la sècheuse dans un endroit où elle serait exposée aux intempéries.
- Ne pas effectuer d'intervention non autorisée sur les commandes.
- Ne pas réparer ou remplacer une quelconque pièce de la sècheuse ou effectuer tout entretien qui ne serait pas expressément recommandé dans le Guide d'utilisation et d'entretien ou dans des instructions de réparation par l'utilisateur que vous comprenez et que vous êtes capables d'exécuter.
- Ne pas utiliser d'assouplissant ou de produits pour éliminer l'électricité statique à moins que cela ne soit recommandé par le fabricant de l'assouplissant ou du produit.
- Ne pas sécher à la chaleur des articles contenant du caoutchouc mousse ou des matières similaires.
- Nettoyer le filtre à charpie avant ou après chaque charge.
- La zone située autour de l'ouverture d'évacuation et les zones adjacentes doivent être propres, exemptes de peluches et poussières.
- L'intérieur de la sècheuse et le conduit d'évacuation doivent être nettoyés régulièrement par un personnel d'entretien qualifié.
- Voir la section « Spécifications électriques » des instructions d'installation pour les instructions de mise à la terre.
- **AVERTISSEMENT :** Risque d'incendie. Ne pas installer de ventilateur secondaire dans le conduit d'évacuation.
REMARQUE : L'avertissement de ventilateur secondaire ne s'applique pas aux sècheuses conçues pour être installées dans un système où il y a plusieurs sècheuses, avec un système de conduit d'évacuation conçu sur mesure et installé selon les directives du fabricant de la sècheuse.
- L'arrière de la sècheuse doit être placé contre le mur. Consulter les dimensions/dégagements d'installation minimum dans les schémas.

CONSERVER CES INSTRUCTIONS



AVERTISSEMENT :

RISQUE D'INCENDIE OU D'EXPLOSION

Le non-respect des avertissements de sécurité peut causer des dommages à la propriété, des blessures graves, voire la mort.

- Ne pas entreposer ou utiliser de l'essence ou d'autres vapeurs ou liquides inflammables à proximité de cet appareil ou de tout autre appareil électroménager.
- QUE FAIRE DANS LE CAS D'UNE ODEUR DE GAZ :
 - Ne pas tenter d'allumer un appareil.
 - Ne pas toucher à un commutateur électrique; ne pas utiliser le téléphone se trouvant sur les lieux.
 - Évacuer tous les gens de la pièce, de l'édifice ou du quartier.
 - Appeler immédiatement le fournisseur de gaz d'un téléphone voisin. Suivre ses instructions.
 - À défaut de joindre votre fournisseur de gaz, appeler les pompiers.
- L'installation et l'entretien doivent être effectués par un installateur qualifié, une agence de service ou le fournisseur de gaz.

AVERTISSEMENT : L'odorat ne permet pas toujours la détection d'une fuite de gaz.

Les distributeurs de gaz recommandent l'emploi d'un détecteur de gaz (homologation UL ou CSA).

Pour d'autre information, contacter le fournisseur de gaz local.

En cas de détection d'une fuite de gaz, exécuter les instructions "Que faire dans le cas d'une odeur de gaz".

VÉRIFICATION D'UNE CIRCULATION D'AIR ADÉQUATE POUR LE SYSTÈME D'ÉVACUATION

⚠ AVERTISSEMENT



Risque d'incendie

Utiliser un conduit d'évacuation en métal lourd.

Ne pas utiliser un conduit d'évacuation en plastique.

Ne pas utiliser un conduit d'évacuation en feuille de métal.

Le non-respect de ces instructions peut causer un décès ou un incendie.

Bonne circulation d'air

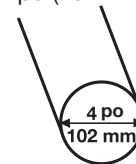
Une sècheuse a besoin de chaleur et d'une circulation d'air adéquate pour sécher efficacement les vêtements. Une ventilation adéquate réduit les durées de séchage et accroît les économies d'énergie. Consulter les Instructions d'installation.

Le système d'évacuation fixé à la sècheuse joue un rôle important dans la circulation de l'air.

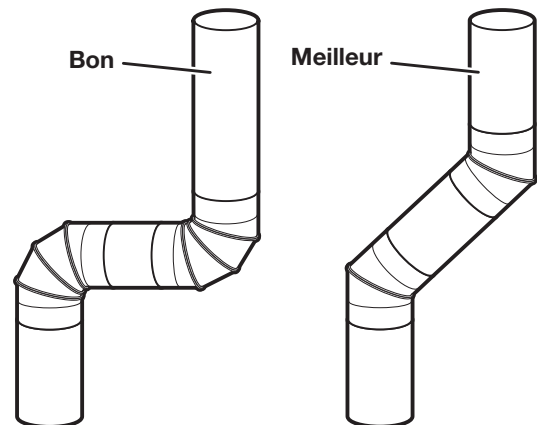
Les interventions de dépannage causées par une ventilation incorrecte ne sont pas couvertes par la garantie et seront à la charge du client, quel que soit l'installateur de la sècheuse.

Maintenir une bonne circulation d'air :

- Nettoyer le filtre à charpie avant chaque charge.
- Remplacer le matériau de conduits d'évacuation en plastique ou en aluminium par des conduits d'évacuation lourds et rigides de 4 po (102 mm) de diamètre.

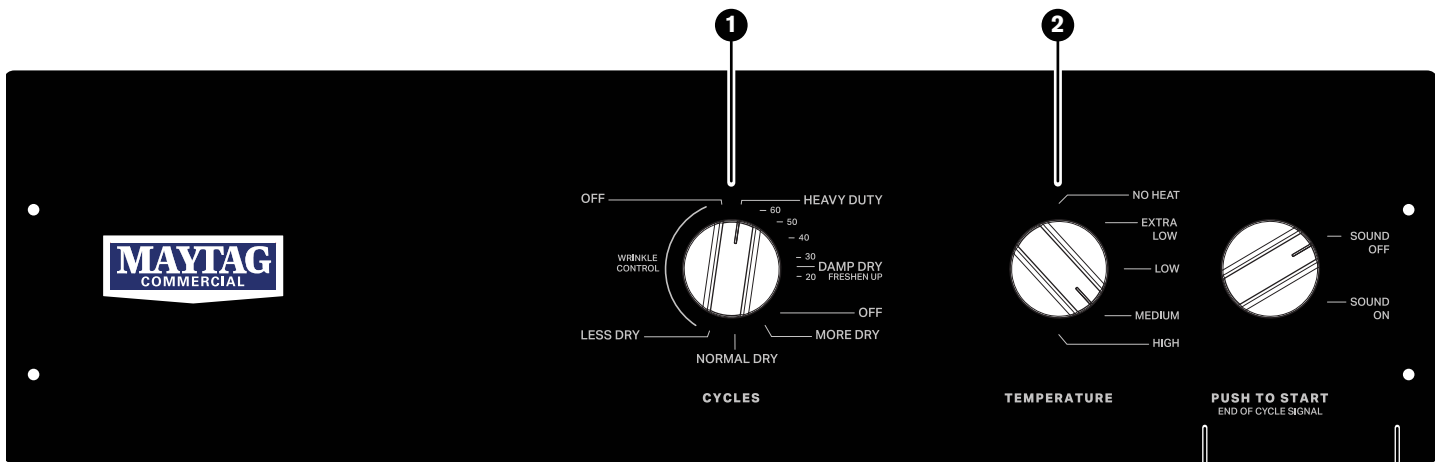


- Toujours employer les conduits d'évacuation les plus courts possibles.
- Ne pas utiliser plus de quatre coudes à 90° dans un circuit d'évacuation, car chaque inclinaison et courbe réduit le flux d'air.



- Retirer la charpie et les résidus du clapet d'évacuation.
- Retirer la charpie sur toute la longueur du circuit d'évacuation au moins tous les deux ans. Après le nettoyage, veuillez suivre les instructions d'installation fournies avec la sècheuse pour une vérification finale de l'appareil.
- Dégager tout article qui se trouverait devant la sècheuse.

TABLEAU DE COMMANDE ET CARACTÉRISTIQUES



Les programmes et options ne sont pas tous disponibles sur tous les modèles. L'apparence peut varier.

1 BOUTON DE PROGRAMME DE LA SÈCHEUSE

Utiliser le bouton de programme de la sècheuse pour sélectionner les programmes disponibles sur la sècheuse. Tourner le bouton de programme pour sélectionner un programme correspondant à la charge de vêtements. Consulter le tableau « Guide de programmes » pour une description détaillée des programmes.

TIMED DRY (séchage minuté)

Fait fonctionner la sècheuse pendant la durée spécifiée sur le module de commande. Sur les modèles à bouton de température réglable, il est possible de sélectionner un réglage selon les tissus de la charge. La durée et la température de séchage dépendront du modèle de votre sècheuse.

SENSOR CYCLES / DRYNESS LEVEL (programmes de détection/ niveau de séchage)

Détecte l'humidité contenue dans la charge et la température de l'air et s'éteint lorsque la charge atteint le niveau de séchage sélectionné. Ce réglage offre un séchage idéal en un temps record. La durée de séchage varie en fonction du type de tissu, de la taille de la charge et du réglage de niveau de séchage.

2 TEMPERATURE (température)

Choisir une température de séchage en fonction des tissus de votre charge. Si on hésite sur la température à sélectionner pour une charge donnée, choisir un réglage inférieur plutôt qu'un réglage supérieur.

REMARQUE : La caractéristique No Heat Température (température sans chaleur) n'est pas offerte sur les programmes de détection.

3 PUSH TO START (mise en marche signal de fin de programme)

Appuyer sur ce bouton pour lancer un programme ou le faire tourner pour activé/désactivé le son.

GUIDE DE PROGRAMMES – SÉCHAGE MINUTÉ

Certains programmes ne sont pas offerts sur certains modèles.

TIMED DRY (séchage minuté) – Fait fonctionner la sècheuse pour la durée spécifiée sur le module de commande. Selon le modèle, la température peut soit être sélectionnée à partir du bouton de programme, soit constituer une commande séparée.

Articles à sécher :	Programme :	Température :	Détails du programme :
Articles lourds, encombrants	Heavy Duty (service intense)*	Aucune	Termine le séchage des articles encore humides.
N'importe quelle charge	Timed Dry (séchage minuté)	Aucune	Sèche les articles jusqu'à un niveau humide ou pour les articles qui ne nécessitent pas un programme de séchage complet. Choisir une température de séchage en fonction des tissus de votre charge. Si on hésite sur la température à sélectionner pour une charge donnée, choisir un réglage inférieur plutôt qu'un réglage supérieur.
Caoutchouc, plastique, tissus sensibles à la chaleur	Timed Dry (séchage minuté)	No Heat (sans chaleur)	Utiliser un réglage sans chaleur pour la mousse, le caoutchouc, le plastique ou les tissus sensibles à la chaleur.
RÉGLAGES SPÉCIAUX† :			
N'importe quelle charge	Wrinkle Control (antifroissement)†	No Heat (sans chaleur)	Une fois le programme terminé, la sècheuse fait périodiquement culbuter la charge pour éviter le froissement jusqu'au moment où elle sera sortie.

* **REMARQUE :** La certification énergétique gouvernementale de cette sècheuse est basée sur le programme de 60 minutes/minuté avec réglage de température de séchage maximum. Les ne pas réglages utilisés sont : séchage normal, Medium Temperature (température moyenne), volume désactivé.

†Ce réglage est ajouté à la fin de certains programmes pour réduire le froissement.

GUIDE DE PROGRAMMES – PROGRAMMES DE DÉTECTION

Certains programmes ne sont pas offerts sur certains modèles.

SENSOR CYCLES (séchage par détection) – Détecte l'humidité présente dans la charge ou la température de l'air et s'éteint lorsque la charge atteint le niveau de séchage sélectionné.

Selon le modèle, la température peut soit être sélectionnée à partir du bouton de programme, soit constituer une commande séparée.

Articles à sécher :	Programme :	Température :	Détails du programme :
Jeans, vêtements de travail lourds, serviettes	More Dry (plus sec)	High (élevée)	Fournit un séchage optimal des tissus en un minimum de temps. La durée de séchage varie en fonction du type de tissu, de la taille de la charge et du réglage de niveau de séchage. Choisir une température de séchage en fonction des tissus de votre charge. Si on hésite sur la température à sélectionner pour une charge donnée, choisir un réglage inférieur plutôt qu'un réglage supérieur.
Vêtements de travail, tissus de poids moyen et draps	Normal Dry (normalement sec)	Medium (moyenne)	
Articles ordinaires, pantalons, articles légers, synthétiques, délicats, vêtements de sport	Less Dry (moins sec)	Low (basse)	

UTILISATION DE LA SÈCHEUSE

⚠ AVERTISSEMENT



Risque d'explosion

Garder les matières et les vapeurs inflammables, telle que l'essence, loin de la sècheuse.

Ne pas faire sécher un article qui a déjà été touché par un produit inflammable (même après un lavage).

Le non-respect de ces instructions peut causer un décès, une explosion ou un incendie.

⚠ AVERTISSEMENT



Risque d'incendie

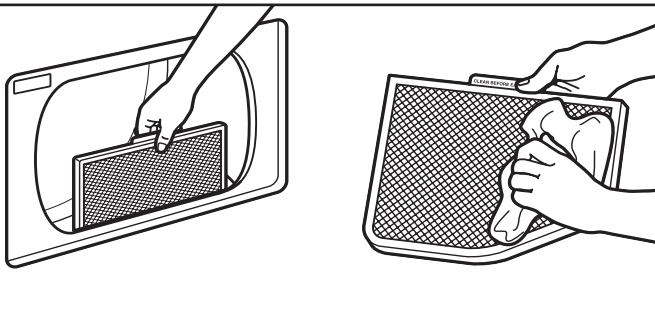
Aucune laveuse ne peut complètement enlever l'huile.

Ne pas faire sécher des articles qui ont été salis par tout genre d'huile (y compris les huiles de cuisson).

Les articles contenant mousse, caoutchouc ou plastique doivent être séchés sur une corde à linge ou par le programme de séchage à l'air.

Le non-respect de ces instructions peut causer un décès ou un incendie.

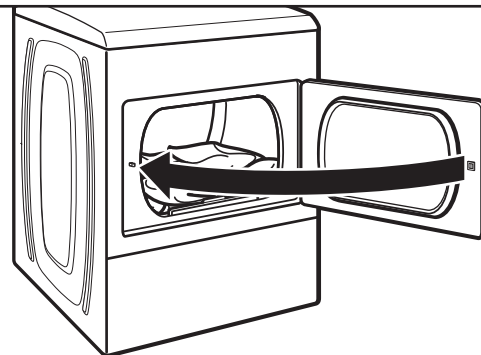
1. Nettoyer le filtre à charpie



Nettoyer le filtre à charpie avant chaque charge. Enlever le filtre à charpie en le tirant tout droit vers le haut. Retirer la charpie du filtre en la roulant avec les doigts. Ne pas rincer ni laver le filtre pour enlever la charpie. Remettre le filtre à charpie fermement en place en l'enfonçant.

Pour plus d'informations sur le nettoyage, voir la section « Entretien de la sècheuse ».

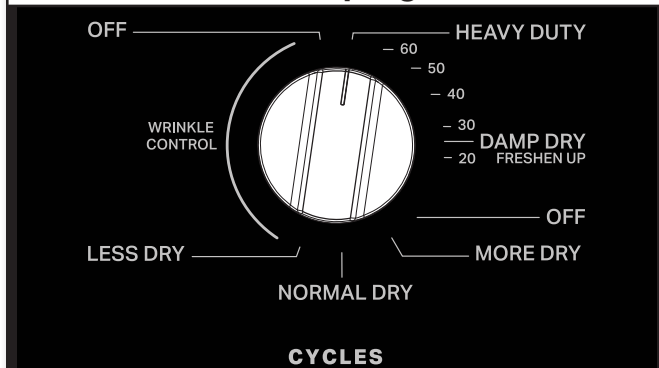
2. Charger la sècheuse



Placer la charge dans la sècheuse. Fermer la porte.

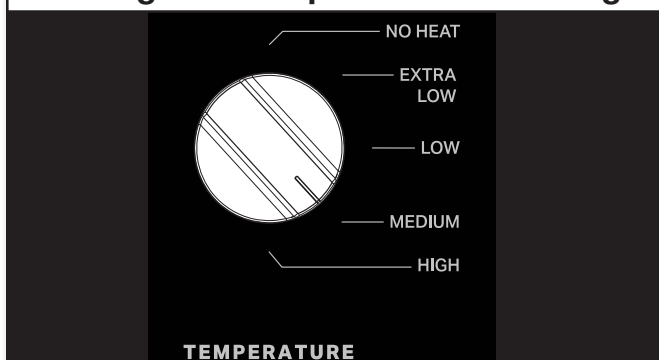
Ne pas surcharger la sècheuse; les vêtements doivent pouvoir culbuter librement.

3. Sélectionner le programme désiré



Sélectionner le programme souhaité pour la charge. Voir le tableau « Guide de programmes » ou l'affichage pour plus d'informations sur chaque programme.

4. Régler la température de séchage



Réglage de la température de séchage :

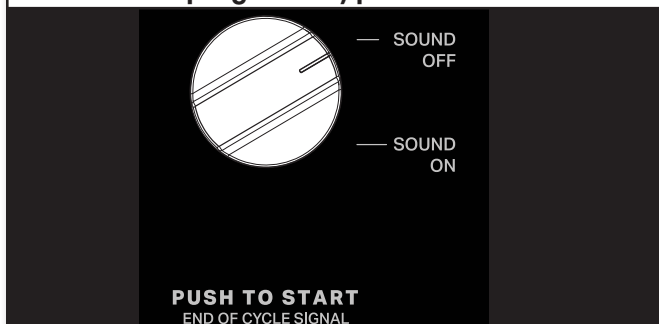
- On peut utiliser le réglage de chaleur High (élevée) pour sécher les articles lourds tels que les serviettes et les vêtements de travail.
- Une chaleur réglée sur Low (basse) à Medium (moyenne) peut être utilisée pour sécher les articles moyennement lourds tels que draps, chemisiers, robes, sous-vêtements, tissus à pressage permanent et certains tricots.
- Utiliser le réglage sans chaleur (air dry [séchage à l'air]) pour la mousse, le caoutchouc, le plastique ou les tissus sensibles à la chaleur. Sécher sur une corde à linge les tissus doublés ou multicouches.

REMARQUE : Pour toute question concernant les températures de séchage pour diverses charges, consulter les instructions sur l'étiquette de soin.

Fonction Wrinkle Control (antifroissement)

- Ajoute jusqu'à 90 minutes de culbutage périodique sans chaleur à la fin d'un programme.

5. Appuyer sur le bouton PUSH TO START (appuyer pour mettre en marche) pour lancer le programme ou faire tourner le bouton END OF CYCLE SIGNAL (signal de fin de programme) pour désactiver le son



Appuyer sur le bouton START (mise en marche) pour démarrer le programme. Faire tourner le bouton END OF CYCLE SIGNAL (signal de fin de programme) pour activer/désactiver le son. Retirer rapidement les vêtements une fois le programme terminé pour réduire le froissement.

ENTRETIEN DE LA SÈCHEUSE

Nettoyer l'emplacement de la sècheuse

Éviter de laisser autour de la sècheuse des éléments qui pourraient obstruer la circulation de l'air et empêcher le bon fonctionnement de la sècheuse. Ceci implique de dégager également les éventuelles piles de vêtements placées devant la sècheuse.

⚠ AVERTISSEMENT



Risque d'explosion

Garder les matières et les vapeurs inflammables, telle que l'essence, loin de la sècheuse.

Placer la sècheuse au moins 46 cm (18 po) au-dessus du plancher pour une installation dans un garage.

Le non-respect de ces instructions peut causer un décès, une explosion ou un incendie.

Nettoyage de l'intérieur de la sècheuse

Nettoyage du tambour de la sècheuse :

1. Appliquer un nettoyant domestique liquide et ininflammable sur la surface tachée du tambour et frotter avec un linge doux jusqu'à ce que la tache soit supprimée.
2. Essuyer complètement le tambour avec un linge humide.
3. Faire culbuter une charge de vêtements ou de serviettes propres pour sécher le tambour.

REMARQUE : Les vêtements contenant des teintures instables, comme les jeans en denim ou articles en coton de couleur vive, peuvent décolorer l'intérieur de la sècheuse. Ces taches ne sont pas nocives pour votre sècheuse et ne tacheront pas les vêtements des charges futures. Sécher ces articles sur l'envers pour éviter de tacher le tambour.

Retirer la charpie accumulée de l'intérieur de la caisse de la sècheuse

À l'intérieur de la caisse de la sècheuse

La charpie doit être enlevée tous les deux ans, ou plus souvent, selon l'utilisation de la sècheuse. Le nettoyage doit être effectué par un personnel d'entretien qualifié.

À partir du conduit d'évacuation

La charpie doit être enlevée tous les deux ans, ou plus souvent, selon l'utilisation de la sècheuse.

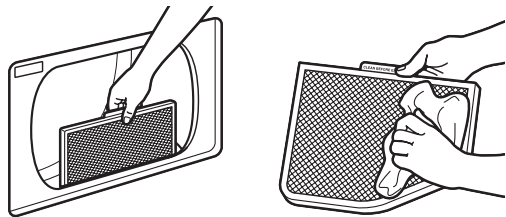
Nettoyer le filtre à charpie

Nettoyage avant chaque charge

Le filtre à charpie se trouve dans l'ouverture de la porte de la sècheuse. Un filtre obstrué de charpie peut augmenter la durée de séchage.

Nettoyage :

1. Enlever le filtre à charpie en le tirant tout droit vers le haut. Retirer la charpie du filtre en la roulant avec les doigts. Ne pas rincer ni laver le filtre pour enlever la charpie. La charpie mouillée s'enlève difficilement.



2. Remettre le filtre à charpie fermement en place en l'enfonçant.

IMPORTANT :

- Ne pas faire fonctionner la sècheuse avec un filtre à charpie déplacé, endommagé, bloqué ou manquant. Une telle action peut causer une surchauffe ou des dommages à la sècheuse et aux tissus.
- Si de la charpie tombe dans la sècheuse au moment du retrait du filtre, vérifier le conduit d'évacuation et retirer la charpie. Voir la section « Vérification d'une circulation d'air adéquate pour le système d'évacuation ».

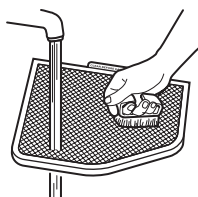
Nettoyage au besoin

Des résidus de détergent ou d'assouplisseur de tissu peuvent s'accumuler sur le filtre à charpie. Cette accumulation peut entraîner des temps de séchage plus longs ou l'arrêt de la sècheuse avant que la charge ne soit complètement sèche. Si de la charpie tombe du filtre alors qu'il est dans la sècheuse, il est probablement obstrué.

Nettoyer le filtre à charpie avec une brosse de nylon tous les six mois ou plus fréquemment s'il se bouche en raison d'une accumulation de résidus.

Nettoyage :

1. Retirer la charpie du filtre en la roulant avec les doigts.
2. Mouiller les deux côtés du filtre à charpie avec de l'eau chaude.
3. Mouiller une brosse en nylon avec de l'eau chaude et du détergent liquide. Frotter le filtre à charpie avec la brosse pour enlever l'accumulation de résidus.



4. Rincer le filtre à l'eau chaude.
5. Bien sécher le filtre à charpie avec une serviette propre. Réinstaller le filtre dans la sècheuse.

Précautions à prendre avant des vacances, un entreposage ou un déménagement

Entretien en cas de non-utilisation ou d'entreposage

On ne doit faire fonctionner la sècheuse que lorsqu'on est présent. Si l'utilisateur doit partir en vacances ou n'utilise pas la sècheuse pendant une période prolongée, il convient d'exécuter les opérations suivantes :

1. Débrancher la sècheuse ou déconnecter la source de courant électrique.
2. Nettoyer le filtre à charpie. Voir la section « Nettoyage du filtre à charpie ».

Précaution à prendre avant les vacances, un entreposage ou un déménagement (suite)

Précautions à prendre avant un déménagement Sécheuses alimentées par cordon d'alimentation :

1. Débrancher le cordon d'alimentation électrique.
2. S'assurer que les pieds de nivellement sont solidement fixés à la base de la sècheuse.
3. Utiliser du ruban adhésif pour fixer la porte de la sècheuse.

⚠ AVERTISSEMENT



Risque de choc électrique

Déconnecter la source de courant électrique avant l'entretien.

Replacer pièces et panneaux avant de faire la remise en marche.

Le non-respect de ces instructions peut causer un décès ou un choc électrique.

Pour les sècheuses avec raccordement direct :

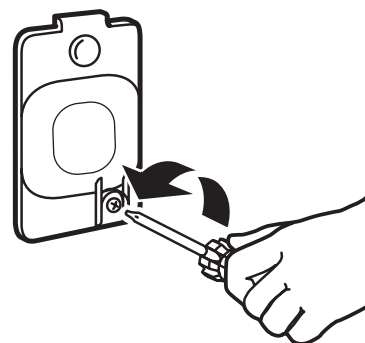
1. Débrancher l'alimentation.
2. Déconnecter le câblage.
3. S'assurer que les pieds de nivellement sont solidement fixés à la base de la sècheuse.
4. Utiliser du ruban adhésif pour fixer la porte de la sècheuse.

Réinstallation de la sècheuse

Suivre les « Instructions d'installation » pour choisir l'emplacement, ajuster l'aplomb de la sècheuse et la raccorder.

Changement de l'ampoule d'éclairage du tambour (sur certains modèles)

1. Débrancher la sècheuse ou déconnecter la source de courant électrique.
2. Ouvrir la porte de la sècheuse. Trouver le couvercle de l'ampoule d'éclairage sur la paroi arrière de la sècheuse. À l'aide d'un tournevis cruciforme, retirer la vis située à l'angle inférieur droit du couvercle. Enlever le couvercle.



3. Tourner l'ampoule dans le sens antihoraire. Remplacer l'ampoule uniquement par une ampoule de 10 W pour appareil électroménager. Réinstaller le couvercle et le fixer avec la vis.
4. Brancher la sècheuse ou reconnecter la source de courant électrique.

DÉPANNAGE

Essayer d'abord les solutions suggérées ici ou consulter notre site Web au www.maytag.com/help – Au Canada, visiter le www.maytag.ca – pour obtenir de l'aide et éviter une intervention de réparation.

Si les problèmes suivants surviennent	Causes possibles	Solution
Le séchage des vêtements n'est pas satisfaisant, les durées de séchage sont trop longues ou la charge est trop chaude	Le filtre à charpie est obstrué par de la charpie.	Le filtre à charpie doit être nettoyé avant chaque charge.
	La charge est trop grosse et trop lourde pour sécher rapidement.	Séparer la charge pour qu'elle culbute librement.
	Le conduit d'évacuation ou le clapet d'évacuation à l'extérieur est obstrué de charpie, restreignant le mouvement de l'air.	Faire fonctionner la sècheuse pendant 5 à 10 minutes. Tenir la main sous le clapet d'évacuation à l'extérieur pour vérifier le mouvement de l'air. Si aucun mouvement d'air n'est perceptible, ôter la charpie présente dans le système d'évacuation ou remplacer le conduit d'évacuation par un conduit métallique lourd ou flexible. Voir les instructions d'installation.
	Des feuilles d'assouplissant obstruent la grille.	Utiliser seulement une feuille d'assouplissant pour tissu par charge et l'utiliser une seule fois.
	Le conduit d'évacuation ne possède pas la bonne longueur.	Vérifier que le conduit d'évacuation n'est pas trop long ou ne comporte pas trop de changements de direction. Un long conduit augmentera les durées de séchage. Voir les instructions d'installation.
	Diamètre incorrect du conduit d'évacuation.	Utiliser un conduit de 4 po (102 mm) de diamètre.
	La sècheuse se trouve dans une pièce où la température ambiante est inférieure à 45 °F (7 °C).	Le bon fonctionnement des programmes de la sècheuse nécessite une température ambiante supérieure à 45 °F (7 °C).
La sècheuse ne fonctionne pas	Sècheuse placée dans un placard.	Les portes de placard doivent comporter des ouvertures d'aération au sommet et au bas de la porte. Un espace minimum de 1 po (25 mm) est nécessaire à l'avant de la sècheuse et, pour la plupart des installations, un espace de 5 po (127 mm) est nécessaire à l'arrière de la sècheuse. Voir les instructions d'installation.
	La porte n'est pas bien fermée.	S'assurer que la porte de la sècheuse est complètement fermée.
	L'utilisateur n'a pas appuyé fermement sur le bouton Start (mise en marche) ou ne l'a pas maintenu appuyé pendant suffisamment longtemps.	Appuyer longuement sur le bouton START (mise en marche) jusqu'à ce que l'on entende le tambour de la sècheuse se déplacer.
	Un fusible du domicile est grillé ou le disjoncteur est ouvert.	Les sècheuses électriques utilisent deux fusibles ou disjoncteurs domestiques. Il est possible que le tambour tourne, mais sans chaleur. Remplacer le fusible ou réenclencher le disjoncteur. Si le problème persiste, contacter un électricien agréé.
	Alimentation électrique incorrecte.	Les sècheuses électriques nécessitent une alimentation électrique de 240 V. Vérifier auprès d'un électricien qualifié.
Sons inhabituels	Type de fusible incorrect.	Utiliser un fusible temporisé.
	La sècheuse n'a pas été utilisée pendant un certain temps.	Si la sècheuse n'a pas été utilisée depuis quelque temps, il est possible qu'elle émette des bruits saccadés au cours des premières minutes de fonctionnement.
	Une pièce de monnaie, un bouton ou un trombone est coincé entre le tambour et l'avant ou l'arrière de la sècheuse.	Vérifier qu'il n'y a pas de petits objets coincés dans les rebords avant et arrière du tambour. Vider les poches avant de laver les vêtements.
	Il s'agit d'une sècheuse au gaz.	Le déclic du robinet de gaz est un bruit de fonctionnement normal.
	Les quatre pieds ne sont pas installés et la sècheuse n'est pas de niveau d'avant en arrière et d'un côté à l'autre.	La sècheuse peut vibrer si elle n'est pas correctement installée. Voir les instructions d'installation.
	Vêtements emmêlés ou en boule.	Une charge en boule rebondit, ce qui fait vibrer la sècheuse. Séparer les articles dans la charge et remettre la sècheuse en marche.
Sans chaleur	Un fusible du domicile est grillé ou le disjoncteur est ouvert.	Il est possible que le tambour tourne, mais sans chaleur. Les sècheuses électriques utilisent deux fusibles ou disjoncteurs domestiques. Remplacer les fusibles ou réarmer le disjoncteur. Si le problème persiste, contacter un électricien agréé.
	Robinet de la canalisation de gaz non ouvert.	Pour les sècheuses à gaz, s'assurer que le robinet de la canalisation d'alimentation est ouvert.
	Alimentation électrique incorrecte.	Les sècheuses électriques nécessitent une alimentation électrique de 240 V. Vérifier auprès d'un électricien qualifié.

DÉPANNAGE

Essayer d'abord les solutions suggérées ici ou consulter notre site Web au www.maytag.com/help – Au Canada, visiter le www.maytag.ca – pour obtenir de l'aide et éviter une intervention de réparation.

Si les problèmes suivants surviennent	Causes possibles	Solution
Temps de programme trop court	Le programme de détection se termine prématurément.	La charge n'est peut-être pas en contact avec les bandes de détection. Ajuster l'aplomb de la sècheuse. Utiliser Timed Dry (séchage minuté) pour des charges de très petite taille. Modifier le réglage de degré de séchage pour les programmes de détection. L'augmentation ou la diminution du degré de séchage modifiera la durée de séchage d'un programme.
Charpie sur la charge	Filtre à charpie obstrué.	Le filtre à charpie doit être nettoyé avant chaque charge.
Taches sur la charge ou sur le tambour	Assouplissant pour sècheuse mal utilisé.	Ajouter les feuilles d'assouplissant au début du programme. Les feuilles d'assouplissant ajoutées à une charge partiellement sèche peuvent tacher les vêtements. Les taches sur le tambour sont dues aux teintures contenues dans les vêtements (les jeans en général). Elles ne se transmettront pas aux autres vêtements.
Charges froissées	Charge non retirée de la sècheuse à la fin du programme.	Sélectionner le programme Wrinkle Control (antifroissement) pour faire culbuter la charge sans chaleur afin d'éviter tout froissement.
	Les vêtements dans la sècheuse sont trop tassés.	Faire sécher de plus petites charges qui peuvent culbuter librement pour aider à réduire le froissement.
Odeurs	De la peinture, de la teinture ou du vernis a récemment été utilisé dans la pièce où votre sècheuse est installée.	Si c'est le cas, aérer la pièce. Une fois les odeurs ou émanations disparues, laver et sécher à nouveau les vêtements.
	La sècheuse est utilisée pour la première fois.	Le nouvel élément d'émission de chaleur peut émettre une odeur. L'odeur disparaîtra après le premier programme.
La charge est trop chaude	Les vêtements ont été retirés de la sècheuse avant la fin du programme.	Laisser la sècheuse terminer le programme de refroidissement avant de retirer les vêtements de la sècheuse. Toutes les charges sont refroidies lentement pour réduire le froissement et rendre les articles plus faciles à manipuler. Des articles retirés avant la période de refroidissement peuvent sembler très chauds.
	Un programme à température élevée a été utilisé ou le bouton de température a été réglé à élever.	Sélectionner une température plus basse et utiliser un programme de séchage par détection. Ces programmes détectent la température ou le degré d'humidité de la charge et éteignent l'appareil lorsque la charge atteint le degré de séchage sélectionné. Ceci réduit le risque de séchage excessif.

SEGURIDAD DE LA SECADORA

Su seguridad y la seguridad de los demás es muy importante.

Hemos incluido muchos mensajes importantes de seguridad en este manual y en su electrodoméstico. Lea y obedezca siempre todos los mensajes de seguridad.



Este es el símbolo de alerta de seguridad.

Este símbolo le llama la atención sobre peligros potenciales que pueden ocasionar la muerte o una lesión a usted y a los demás.

Todos los mensajes de seguridad irán a continuación del símbolo de advertencia de seguridad y de la palabra "PELIGRO" o "ADVERTENCIA". Estas palabras significan:

 **PELIGRO**

Si no sigue las instrucciones de inmediato, usted puede morir o sufrir una lesión grave.

 **ADVERTENCIA**

Si no sigue las instrucciones, usted puede morir o sufrir una lesión grave.

Todos los mensajes de seguridad le dirán el peligro potencial, le dirán cómo reducir las posibilidades de sufrir una lesión y lo que puede suceder si no se siguen las instrucciones.



ADVERTENCIA – “Riesgo de Incendio”

- La instalación de la secadora de ropa debe ser realizada por un técnico calificado.
- Instalar la secadora de ropa de acuerdo con las instrucciones del fabricante.
- No instalar la secadora de ropa con materiales de ventilación de plástico. Si se instala ducto flexible metálico (tipo aluminio), éste debe ser de un tipo específico que sea avalado por el fabricante como apto para el uso con secadora de ropa. Los materiales de ventilación flexibles son bien conocidos por colapsarse, se aplastan fácilmente y retienen pelusa. Estas condiciones bloquearán el flujo de aire de la secadora e incrementarán el riesgo de incendio.
- Para reducir el riesgo de lesiones graves o muerte, siga todas las instrucciones de instalación.
- Guarde estas instrucciones.

INSTRUCCIONES DE SEGURIDAD IMPORTANTES

ADVERTENCIA: Para reducir el riesgo de incendio, descarga eléctrica o daños personales al utilizar esta secadora, tome las precauciones básicas siguientes:

- Lea todas las instrucciones antes de utilizar la secadora.
- No coloque objetos expuestos a aceites para cocinar en su secadora. Los objetos expuestos a aceites para cocinar pueden contribuir a una reacción química que podría causar que una carga se incendie.
- No seque artículos que ya se hayan limpiado, lavado, remojado o manchado con gasolina, disolventes de limpieza en seco, u otras sustancias inflamables o explosivas ya que despiden vapores que pueden encenderse o causar una explosión.
- Para reducir el riesgo de incendio debido a cargas contaminadas, la parte final de un ciclo en la secadora se produce sin calor (periodo de enfriamiento). Evite detener una secadora antes de que termine el ciclo de secado a menos que todos los objetos se saquen y separen rápidamente de modo que el calor se disipe.
- No permita que los niños jueguen sobre la secadora o dentro de esta. Es necesaria la cuidadosa vigilancia de los niños siempre que estén cerca cuando se use la secadora.
- Quite la puerta de la secadora al compartimiento de secado antes de ponerla fuera de funcionamiento o de descartarla.
- No introduzca las manos en la secadora si el tambor está en movimiento.
- No instale o almacene esta secadora en lugares donde quede expuesta a la intemperie.
- No altere los controles.
- No repare ni reemplace ninguna pieza de la secadora ni trate de repararla a menos que esto se recomiende específicamente en este Manual de uso y cuidado o en instrucciones de reparación publicadas para el usuario que usted comprenda y solo si cuenta con la experiencia necesaria para llevar a cabo dicha reparación.
- No utilice suavizantes de telas o productos para eliminar la estática de prendas a menos que lo recomiende el fabricante del suavizante de telas o del producto en uso.
- No utilice calor para secar prendas que contengan goma espuma o materiales con textura similar a la goma.
- Limpie el filtro de pelusa antes o después de cada carga.
- Mantenga el área alrededor de la abertura de ventilación y las áreas adyacentes a esta abertura sin pelusas, polvo o tierra.
- La parte interior de la secadora y el ducto de escape se deben limpiar periódicamente. Esta limpieza la debe llevar a cabo un profesional de servicio calificado.
- Para obtener información respecto a las instrucciones de conexión a tierra, consulte "Requisitos eléctricos" en las instrucciones de instalación.
- **ADVERTENCIA:** Riesgo de incendio. No instale un ventilador de refuerzo en el ducto de escape.
NOTA: La advertencia del ventilador de refuerzo no se aplica a las secadoras de ropa diseñadas para ser instaladas en un sistema de secadora de ropa múltiple, con un sistema de conducto de escape diseñado que se instala según las pautas del fabricante de dicha secadora.
- La parte trasera de la secadora deberá estar instalada contra una pared. Consulte las dimensiones y espacios mínimos de instalación en los diagramas.

GUARDE ESTAS INSTRUCCIONES

ADVERTENCIA:

PELIGRO DE INCENDIO O EXPLOSIÓN

Si no se siguen las advertencias de seguridad con exactitud, se podrían producir lesiones graves, muertes o daños a la propiedad.

- No almacene o use gasolina u otros líquidos y vapores inflamables cerca de éste u otro aparato electrodoméstico.
- **PASOS QUE USTED DEBE SEGUIR SI HUELE A GAS:**
 - No trate de encender ningún aparato electrodoméstico.
 - No toque ningún interruptor eléctrico; no use ningún teléfono en su edificio.
 - Desaloje a todos los ocupantes del cuarto, edificio o área.
 - Llame inmediatamente a su proveedor de gas desde el teléfono de un vecino. Siga las instrucciones de su proveedor de gas.
 - Si usted no puede comunicarse con su proveedor de gas, llame al departamento de bomberos.
- La instalación y el servicio deben ser efectuados por un instalador calificado, una agencia de servicio o por el proveedor de gas.

ADVERTENCIA: Las pérdidas de gas no siempre se pueden detectar por el olfato.

Los proveedores de gas recomiendan que usted use un detector de gas aprobado por UL (Laboratorio de normalización) o CSA (Asociación canadiense de seguridad).

Para obtener más información, póngase en contacto con su proveedor de gas.

Si se detecta una fuga de gas, siga las instrucciones de "Pasos que usted debe seguir si huele a gas".

REVISE QUE EL SISTEMA DE VENTILACIÓN TENGA UN BUEN FLUJO DE AIRE

⚠ ADVERTENCIA



Peligro de Incendio

Use un ducto de escape de metal pesado.

No use un ducto de escape de plástico.

No use un ducto de escape de aluminio.

No seguir estas instrucciones puede ocasionar la muerte o incendio.

Buen flujo de aire

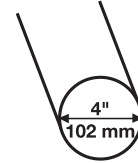
Además de calor, las secadoras también necesitan un buen flujo de aire para secar las prendas de manera eficiente. La ventilación adecuada reducirá la duración del secado y mejorará su ahorro de energía. Consulte las Instrucciones de instalación.

El sistema de ventilación conectado a la secadora desempeña una función muy importante para el flujo de aire adecuado.

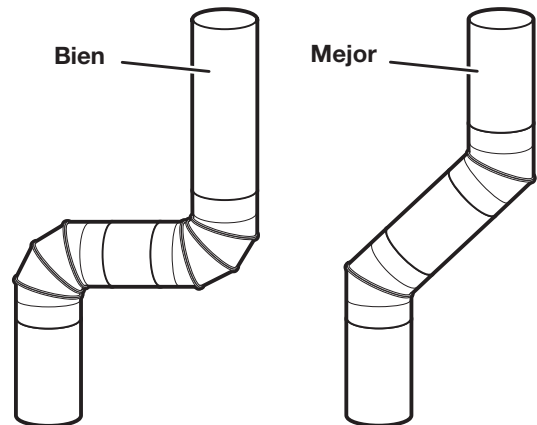
Las visitas de servicio debidas a la ventilación inadecuada no están cubiertas por la garantía y correrán por cuenta del cliente, sin importar quién haya instalado la secadora.

Para mantener un buen flujo de aire hay que:

- Limpie el filtro de pelusa antes de cada carga.
- Reemplace el material plástico o de metal laminado del ducto de ventilación con material para ventilaciones pesado y rígido de 4" (102 mm) de diámetro.

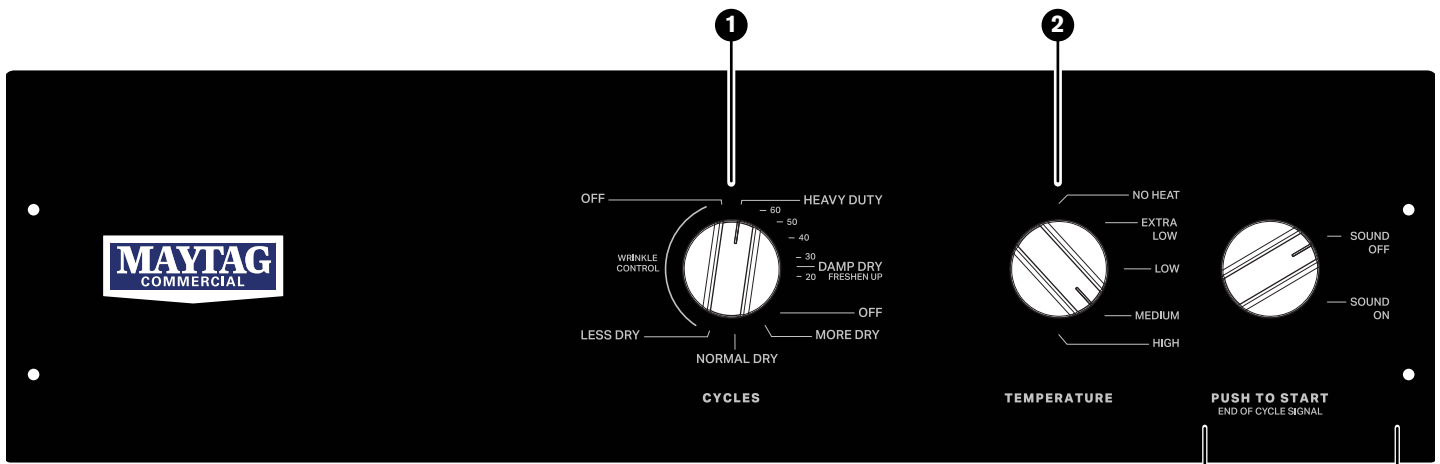


- Use un ducto con la longitud más corta posible.
- No utilice más de cuatro codos de 90° en un sistema de ventilación; cada ángulo y curva reduce el flujo de aire.



- Quite la pelusa y los desechos de la capota de ventilación.
- Quite la pelusa de toda la longitud del sistema de ventilación al menos cada dos años. Cuando haya terminado la limpieza, revise por última vez el producto asegurándose de seguir las "Instrucciones de instalación" que vienen con su secadora.
- Retire los artículos que estén frente a la secadora.

PANEL DE CONTROL Y CARACTERÍSTICAS



No todas las características y opciones están disponibles en todos los modelos. El aspecto puede variar.

1 PERILLA DE CICLOS DE LA SECADORA

Utilice la perilla de ciclos de la secadora para seleccionar entre los ciclos disponibles en su secadora. Gire la perilla para seleccionar un ciclo para la carga de lavado. Consulte la tabla “Guía de ciclos” para obtener descripciones detalladas de los ciclos.

TIMED DRY (secado programado)

Hará funcionar la secadora durante el tiempo especificado en el control. En modelos con una perilla de selección de temperatura, puede elegir un ajuste basado en las telas de su carga. El tiempo y la temperatura de secado dependerán del modelo de su secadora.

SENSOR CYCLES / DRYNESS LEVEL (ciclos de sensor/ nivel de sequedad)

Detecta la humedad en la carga y la temperatura del aire, y se apaga cuando la carga alcanza el nivel de sequedad seleccionado. Este ajuste brinda el mejor secado en el menor tiempo. El tiempo del secado variará según el tipo de tela, el tamaño de la carga y el ajuste de sequedad.

2 TEMPERATURE (temperatura)

Seleccione una temperatura de secado según las telas de su carga. Si tiene dudas respecto de la temperatura que debe seleccionar para una carga de ropa, elija el ajuste más bajo en lugar del ajuste más alto.

NOTA: La característica de temperatura No Heat (Sin calor) no está disponible en los ciclos con sensor.

3 PUSH TO START END OF CYCLE SIGNAL (pulsar para iniciar señal de fin de ciclo)

Pulse para iniciar un ciclo o gire para activar/desactivar el sonido.

GUIA DE CICLOS – TIMED DRY (SECADO PROGRAMADO)

No todos los ciclos ni los ajustes están disponibles en todos los modelos.

TIMED DRY (Secado programado): hará funcionar la secadora durante el tiempo especificado en el control. Dependiendo del modelo, la temperatura puede seleccionarse con la perilla de ciclos o ser un control por separado.

Artículos para secar:	Ciclo:	Temperatura:	Detalles del ciclo:
Artículos pesados o voluminosos	Heavy Duty (Intenso)*	Cualquiera	Termina de secar los artículos si todavía están húmedos.
Cualquier carga	Timed Dry (Secado programado)	Cualquiera	Seca las prendas hasta dejarlas húmedas o para prendas que no necesitan un ciclo completo de secado. Seleccione una temperatura de secado según las telas de su carga. Si tiene dudas respecto de la temperatura que debe seleccionar para una carga de ropa, elija el ajuste más bajo en lugar del ajuste más alto.
Goma, plástico, telas sensibles al calor	Timed Dry (Secado programado)	No Heat (Sin calor)	Utilice un ajuste sin calor para espuma, caucho, plástico o telas sensibles al calor.

SPECIAL SETTING (Ajuste especial)†:			
Cualquier carga	Wrinkle Control (Control de arrugas)†	No Heat (Sin calor)	Después de completar un ciclo, la carga se voltea periódicamente para evitar arrugas hasta que esté listo para retirarla.

* **NOTA:** Las certificaciones energéticas gubernamentales de esta secadora de ropa se basaron en el ciclo de secado de 60 minutos/temporizado, y en el ajuste de temperatura máxima de secado. Se no utilizaron los valores predeterminados de Normal Dry (Seco normal), Medium Temperature (Temperatura media) y Sound Off (Sonido apagado).

†Esta configuración se agrega al final de ciertos ciclos para reducir las arrugas.

GUÍA DE CICLOS – SENSOR CYCLES (CICLOS CON SENSOR)

No todos los ciclos ni los ajustes están disponibles en todos los modelos.

SENSOR CYCLES (Ciclos con sensor): Estos ciclos detectan la humedad en la carga o la temperatura del aire y se apagan cuando la carga alcanza el nivel de sequedad seleccionado.

Dependiendo del modelo, la temperatura puede seleccionarse con la perilla de ciclos o ser un control por separado.

Artículos para secar:	Ciclo:	Temperatura:	Detalles del ciclo:
Jeans, ropa pesada de trabajo, toallas	More Dry (Más seco)	High (alta)	Da a la tela el mejor secado en el menor tiempo. El tiempo de secado varía según el tipo de tela, el tamaño de la carga y el ajuste de sequedad. Seleccione una temperatura de secado según las telas de su carga. Si tiene dudas respecto de la temperatura que debe seleccionar para una carga de ropa, elija el ajuste más bajo en lugar del ajuste más alto.
Ropa de trabajo, telas de peso mediano, sábanas	Normal Dry (Seco normal)	Medium (medio)	
Ropa informal, camisas, pantalones, artículos livianos, ropa de tela sintética, ropa delicada, ropa deportiva	Less Dry (Menos seco)	Low (baja)	

USO DE SU SECADORA

⚠️ ADVERTENCIA



Peligro de Explosión

Mantenga los materiales y vapores inflamables, tales como la gasolina, alejados de la secadora.

No seque ningún artículo que haya tenido alguna vez cualquier sustancia inflamable (aún después de lavarlo).

No seguir estas instrucciones puede ocasionar la muerte, explosión o incendio.

⚠️ ADVERTENCIA



Peligro de Incendio

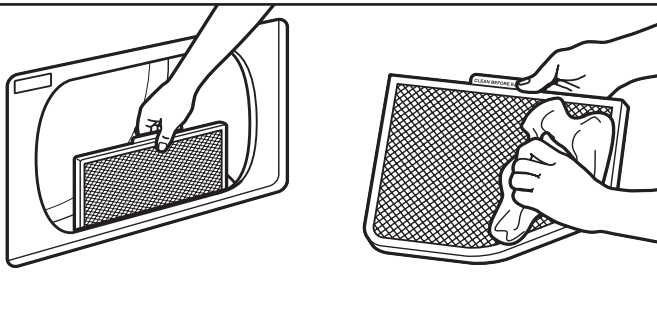
Ninguna lavadora puede eliminar completamente el aceite.

No seque ningún artículo que haya tenido alguna vez cualquier tipo de aceite (incluyendo los aceites de cocina).

Los artículos que contengan espuma, hule o plástico deben secarse en un tendedero o usando un Ciclo de Aire.

No seguir estas instrucciones puede ocasionar la muerte o incendio.

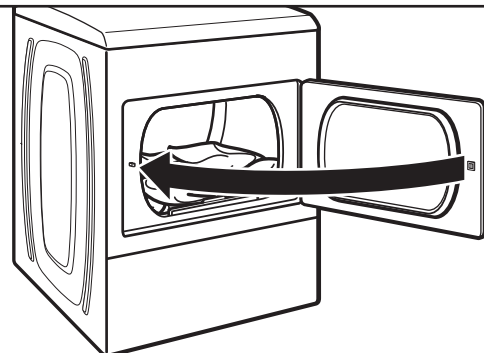
1. Limpie el filtro de pelusa



Limpie el filtro de pelusa antes de cada carga. Jale el filtro de pelusa directamente hacia arriba. Quite la pelusa enrollándola con los dedos. No enjuague ni lave el filtro para quitar la pelusa. Empuje el filtro de pelusa con firmeza nuevamente en su lugar.

Para obtener información adicional sobre la limpieza, consulte la sección "Cuidado de la secadora".

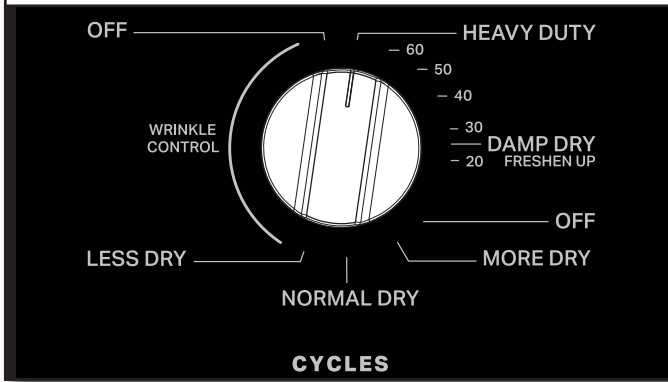
2. Cargue la secadora



Ponga la ropa en la secadora. Cierre la puerta.

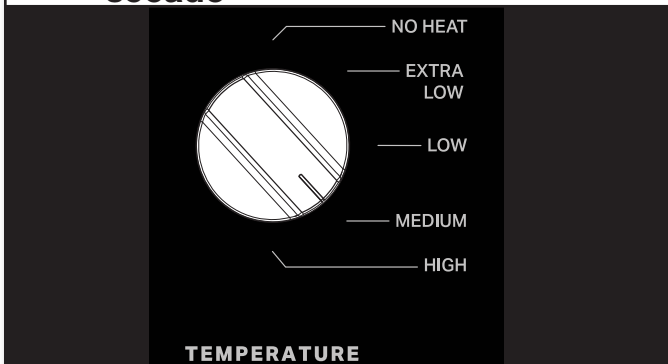
No sobrecargue la secadora; las prendas deben poder girar libremente.

3. Seleccione el ciclo deseado



Seleccionar el ciclo deseado para su carga* Consulte la tabla "Guía de ciclos" o la pantalla para obtener más información sobre cada ciclo.

4. Establecer la temperatura de secado



Ajuste de la temperatura de la secadora:

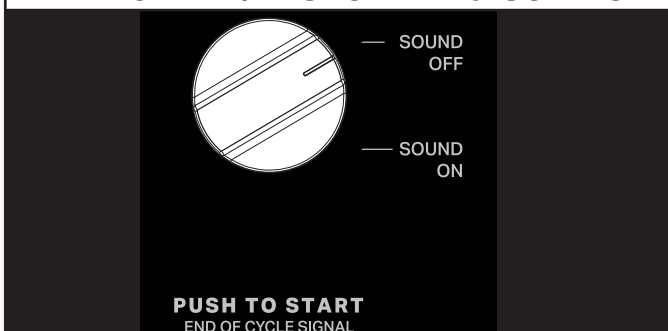
- Se puede usar el ajuste de temperatura High (alta) para secar artículos pesados como toallas y ropa de trabajo.
- El ajuste de calor Low (bajo) o Medium (medio) se puede utilizar para secar artículos de peso medio, como sábanas, blusas, vestidos, ropa interior, telas de planchado permanente y algunos tejidos.
- Use el ajuste No Heat (sin calor) (secado al aire) para espuma, goma, plástico o telas sensibles al calor. Seque en el tendedero las telas tejidas o laminadas.

NOTA: Si tiene dudas sobre la temperatura de secado que debe seleccionar para distintas cargas de ropa, consulte las instrucciones de cuidado de las etiquetas.

Característica Wrinkle Control (control de arrugas)

- Obtenga hasta 90 minutos de secado periódico sin calor al final de un ciclo.

5. Pulse el mando PUSH TO START (Pulsar para iniciar) para comenzar el ciclo o gire el mando END OF CYCLE SIGNAL (Señal de fin de ciclo) para ACTIVAR/DESACTIVAR el SONIDO



Pulse el mando START (inicio) para comenzar el ciclo. Pulse el mando END OF CYCLE (fin del ciclo) para activar/desactivar el sonido. Retire de inmediato las prendas en cuanto haya finalizado el ciclo para reducir las arrugas.

CUIDADO DE LA SECADORA

Limpieza del lugar donde está la secadora

Mantenga el área donde está la secadora despejada y libre de artículos que puedan obstruir el flujo de aire para el funcionamiento adecuado de la secadora. Esto incluye retirar las pilas de ropa que haya delante de la secadora.

! ADVERTENCIA



Peligro de Explosión

Mantenga los materiales y vapores inflamables, como la gasolina, lejos de la secadora.

Coloque la secadora a un mínimo de 46 cm sobre el piso para la instalación en un garaje.

No seguir estas instrucciones puede ocasionar la muerte, explosión o incendio.

Limpieza del interior de la secadora

Para limpiar el tambor de la secadora:

1. Aplique un limpiador líquido doméstico no inflamable al área manchada del tambor y frote con un paño suave hasta que desaparezca la mancha.
2. Limpie el tambor minuciosamente con un paño húmedo.
3. Ponga a funcionar la secadora con una carga de ropa limpia o toallas para secar el tambor.

NOTA: Las prendas de colores que destiñen tales como mezcillas o artículos de algodón de colores vivos, pueden teñir el interior de la secadora. Estas manchas no dañan la secadora ni mancharán las cargas futuras de ropa. Seque estos artículos al revés para evitar que se manche el tambor.

Eliminación de pelusa acumulada:

En el interior del gabinete de la secadora:

La pelusa debe ser quitada por lo menos cada dos años o con más frecuencia, dependiendo del uso que se le dé a la secadora. La limpieza deberá efectuarla un representante de servicio calificado.

En el ducto de escape

La pelusa debe ser quitada por lo menos cada dos años o con más frecuencia, dependiendo del uso que se le dé a la secadora.

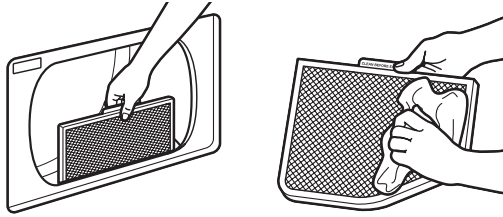
Limpieza del filtro de pelusa

Limpieza en cada carga

El filtro de pelusa está en la abertura de la puerta de la secadora. Un filtro obstruido con pelusa puede aumentar el tiempo de secado.

Para limpiar:

1. Jale el filtro de pelusa directamente hacia arriba. Quite la pelusa enrollándola con los dedos. No enjuague ni lave el filtro para quitar la pelusa. La pelusa mojada es difícil de sacar.



2. Empuje el filtro de pelusa con firmeza nuevamente en su lugar.

IMPORTANTE:

- No ponga a funcionar la secadora con el filtro de pelusa flojo, dañado, obstruido o sin él. Eso puede causar sobrecalentamiento y dañar tanto la secadora como las prendas.
- Si al quitar la pelusa del filtro ésta cae dentro de la secadora, revise la capota de ventilación y quite la pelusa. Consulte la sección “Comprobar que su sistema de ventilación tiene un buen flujo de aire”.

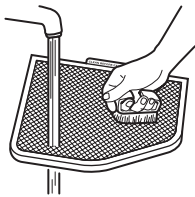
Limpieza según la necesidad

Los residuos de detergente y suavizante de telas pueden acumularse en el filtro de pelusa. Esta acumulación puede dar lugar a que se prolongue el tiempo de secado de la ropa, o a que la secadora se detenga antes de que la ropa esté completamente seca. El filtro probablemente esté obstruido si cae pelusa del filtro mientras está dentro de la secadora.

Limpie el filtro de pelusa con un cepillo de nylon cada 6 meses, o con más frecuencia, si se obstruye debido a la acumulación de residuos.

Para lavar:

1. Quite la pelusa enrollándola con los dedos.
2. Moje ambos lados del filtro de pelusa con agua caliente.
3. Moje un cepillo de nylon con agua caliente y detergente líquido. Frote el filtro de pelusa con el cepillo para quitar la acumulación de residuos.



4. Enjuague el filtro con agua caliente.
5. Seque minuciosamente el filtro de pelusa con una toalla limpia. Vuelva a colocar el filtro en la secadora.

Cuidado para las vacaciones, el almacenaje o en caso de mudanza

Cuidado durante la falta de uso o el almacenamiento

Ponga la secadora a funcionar solo cuando esté en casa. Si va a salir de vacaciones o no va a usar la secadora por un tiempo prolongado, debe hacer lo siguiente:

1. Desenchufe la secadora o desconecte el suministro de energía.
2. Limpie el filtro de pelusa. Consulte la sección “Limpieza del filtro de pelusa”.

Cuidado para las vacaciones, el almacenaje o en caso de mudanza (cont.)

Cuidado por mudanza

Para secadoras conectadas con cable de alimentación:

1. Desenchufe el cable de suministro eléctrico.
2. Asegúrese de que las patas niveladoras estén fijadas en la base de la secadora.
3. Use cinta adhesiva para asegurar la puerta de la secadora.

⚠ ADVERTENCIA



Peligro de Choque Eléctrico

Desconecte el suministro de energía antes de darle mantenimiento.

Vuelva a colocar todos los componentes y paneles antes de hacerlo funcionar.

No seguir estas instrucciones puede ocasionar la muerte o choque eléctrico.

Para secadoras con cable directo:

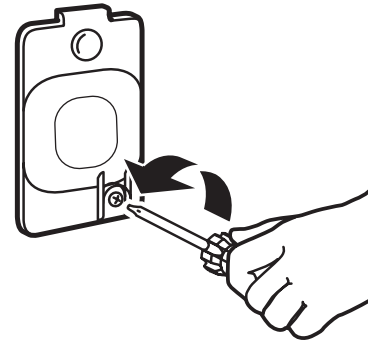
1. Desconecte el suministro eléctrico.
2. Desconecte el cableado.
3. Asegúrese de que las patas niveladoras estén fijadas en la base de la secadora.
4. Use cinta adhesiva para asegurar la puerta de la secadora.

Para volver a instalar la secadora

Siga las “Instrucciones de instalación” para ubicar, nivelar y conectar la secadora.

Cambio de la luz del tambor (en algunos modelos)

1. Desenchufe la secadora o desconecte el suministro de energía.
2. Abra la puerta de la secadora. Localice la cubierta del foco de luz en la pared posterior de la secadora. Con un destornillador Phillips, extraiga el tornillo ubicado en la esquina inferior derecha de la cubierta. Quite la cubierta.



3. Gire el foco en sentido contrario a las manecillas del reloj. Reemplácelo únicamente por un foco para electrodomésticos de 10 W. Vuelva a colocar la cubierta y asegúrela con un tornillo.
4. Enchufe la secadora o reconecte el suministro de energía.

SOLUCIÓN DE PROBLEMAS

Pruebe primero las soluciones sugeridas aquí o visite nuestro sitio web en www.maytag.com/help
En Canadá, visite www.maytag.ca para obtener asistencia y evitar posiblemente una llamada de servicio.

Si experimenta lo siguiente	Causas posibles	Solución
Las prendas no se secan satisfactoriamente, los tiempos de secado son demasiado largos o la carga está demasiado caliente	Filtro de pelusa obstruido con pelusa.	El filtro de pelusa debe ser limpiado antes de cada carga.
	La carga es demasiado voluminosa y pesada para secarse con rapidez.	Separe la carga para que gire libremente.
	Está obstruido con pelusa el ducto de escape o la capota de ventilación exterior, restringiendo el flujo del aire.	Ponga a funcionar la secadora unos 5 a 10 minutos. Coloque la mano debajo de la campana de ventilación exterior para verificar el movimiento del aire. Si no lo siente, limpie la pelusa del sistema de ventilación o reemplace el ducto de escape con uno de metal pesado o de metal flexible. Vea las Instrucciones de instalación.
	Las hojas del suavizante de telas están bloqueando la rejilla.	Use únicamente una hoja de suavizante para telas y úsela una sola vez.
	El ducto de escape no tiene el largo correcto.	Revise el ducto de ventilación para verificar que no sea demasiado largo ni dé demasiadas vueltas. Una ventilación con un ducto largo aumentará el tiempo de secado. Vea las Instrucciones de instalación.
	El ducto de escape no tiene el diámetro correcto.	Use un material para ductos de 4" (102 mm) de diámetro.
	La secadora está ubicada en una habitación cuya temperatura está menor a 45 °F (7 °C).	El funcionamiento apropiado de los ciclos de la secadora requiere temperaturas superiores a 45 °F (7 °C).
	Secadora ubicada en un clóset.	Las puertas del clóset deben tener aberturas de ventilación en la parte superior e inferior de la puerta. La parte frontal de la secadora necesita un mínimo de 1" (25 mm) de espacio libre y, para la mayoría de las instalaciones, la parte posterior necesita 5" (127 mm). Vea las Instrucciones de instalación.
La secadora no funciona	La puerta no está cerrada por completo.	Cerchiórese de que la puerta de la secadora esté bien cerrada.
	No presionó con firmeza o por suficiente tiempo el botón START (Inicio).	Pulse el botón START (Inicio) hasta que escuche que el tambor de la secadora se mueve.
	Hay un fusible de la casa fundido o se disparó el disyuntor.	Las secadoras eléctricas utilizan dos fusibles o cortacircuitos domésticos. El tambor quizás rote, pero sin calor. Reemplace el fusible o reposicione el disyuntor. Si el problema continúa, llame a un electricista calificado.
	Suministro eléctrico incorrecto.	Las secadoras eléctricas requieren un suministro eléctrico de 240 V. Verifique con un electricista competente.
	Tipo de fusible equivocado.	Use un fusible retardador.
Sonidos raros	La secadora no se utilizó por cierto tiempo.	Si la secadora ha estado en desuso por una temporada, podrá oírse un ruido de golpeteo durante los primeros minutos de funcionamiento.
	Hay una moneda, un botón o un sujetapapeles atrapado entre el tambor y la parte frontal o trasera de la secadora.	Revise los bordes frontales y posteriores del tambor en busca de objetos pequeños. Vacíe los bolsillos antes de lavar la prendas.
	Es una secadora a gas.	El chasquido de la válvula de gas es un sonido de funcionamiento normal.
	No se han instalado las cuatro patas y la secadora no está nivelada de frente hacia atrás y de lado a lado.	La secadora puede vibrar si no está instalada adecuadamente. Vea las Instrucciones de instalación.
	La ropa está enredada o hecha un ovillo.	Si la carga está hecha un ovillo, rebotará y hará vibrar la secadora. Separe los artículos de la carga y reinicie la secadora.
No Heat (Sin calor)	Hay un fusible de la casa fundido o se disparó el disyuntor.	El tambor quizás rote, pero sin calor. Las secadoras eléctricas utilizan dos fusibles o cortacircuitos domésticos. Reemplace ambos fusibles o reposicione el cortacircuitos. Si el problema continúa, llame a un electricista calificado.
	Válvula de la línea de suministro cerrada.	En el caso de secadoras a gas, asegúrese de que la válvula esté abierta en la línea de suministro.
	Suministro eléctrico incorrecto.	Las secadoras eléctricas requieren un suministro eléctrico de 240 V. Verifique con un electricista competente.

SOLUCIÓN DE PROBLEMAS

Pruebe primero las soluciones sugeridas aquí o visite nuestro sitio web en www.maytag.com/help
En Canadá, visite www.maytag.ca para obtener asistencia y evitar posiblemente una llamada de servicio.

Si experimenta lo siguiente	Causas posibles	Solución
El tiempo del ciclo es demasiado corto	El ciclo del sensor finaliza antes de tiempo.	Quizás la carga no esté haciendo contacto con las bandas del sensor. Nivele la secadora. Utilice un secado programado para cargas muy pequeñas. Cambie el ajuste del nivel de sequedad en los ciclos con sensor. Aumentar o disminuir el nivel de sequedad cambiará la duración del secado en un ciclo.
Pelusa en la carga	El filtro de pelusa está obstruido.	El filtro de pelusa debe ser limpiado antes de cada carga.
Manchas en la carga o en el tambor	No se usó de modo apropiado el suavizante de telas para secadoras.	Agregue hojas de suavizante de telas para secadora al comienzo del ciclo. Las hojas de suavizante para telas que se agregan a una carga parcialmente seca pueden manchar las prendas. Las manchas en el tambor son causadas por los tintes en las prendas (habitualmente los jeans). Esas manchas no se transferirán a otras prendas.
Las cargas están arrugadas	No se quitó la carga de la secadora al terminar el ciclo.	Seleccione el ciclo Wrinkle Control (Control de arrugas) para hacer girar la carga sin calor y, así, evitar las arrugas.
	Se ha cargado la secadora de manera apretada.	Seque cargas más pequeñas que puedan girar libremente para ayudar a prevenir la formación de arrugas.
Olores	Ha estado pintando, tiñendo o barnizando recientemente en el área donde se encuentra la secadora.	Si es así, ventile el área. Cuando los olores y las emanaciones se hayan disipado del área, vuelva a lavar la ropa y luego séquela.
	La secadora eléctrica se está usando por primera vez.	El nuevo elemento calefactor eléctrico puede emitir un olor. El olor desaparecerá después del primer ciclo.
La carga está demasiado caliente	Se han quitado los artículos de lavado de la secadora antes del final del ciclo.	Permita que la secadora termine el ciclo de enfriamiento antes de sacar la ropa. Las cargas se enfrían lentamente en todos los ciclos para reducir las arrugas y permitir que la carga sea más fácil de manipular. Los artículos retirados antes del enfriamiento pueden sentirse muy calientes.
	Se utilizó un ciclo de temperatura alta o el mando de la temperatura se fijó en High (Alta).	Seleccione una temperatura más baja y utilice un ciclo de secado con sensor. Estos ciclos detectan la temperatura o el nivel de humedad en la carga y se apagan cuando la carga alcanza el nivel de sequedad seleccionado. Esto reduce el exceso de secado.

Assistance or Service

Before calling for assistance or service, please check "Troubleshooting" or visit www.maytag.com/help. It may save you the cost of a service call. If you still need help, follow the instructions below.

When calling, please know the purchase date and the complete model and serial number of your appliance. This information will help us to better respond to your request.

If you need replacement parts or to order accessories

We recommend that you use only FSP® Factory Specified Parts. These parts will fit right and work right because they are made with the same precision used to build every new MAYTAG® appliance.

To locate FSP® replacement parts or accessories go to www.maytagpartsonline.com.

Questions? Call us toll free at **1-800-344-1274** or in Canada call **1-800-807-6777**.

Our consultants provide assistance with

In the U.S.A.

- Features and specifications on our full line of appliances.
- Installation information.
- Specialized customer assistance (Spanish speaking, hearing impaired, limited vision, etc.).

In the U.S.A. and Canada

- Use and maintenance procedures.
- Accessory and repair parts sales.
- Referrals to local dealers, repair parts distributors, and service companies. Maytag designated service technicians are trained to fulfill the product warranty and provide after-warranty service, anywhere in the United States and Canada.

You can write with any questions or concerns at:

Maytag Brand Appliances
Customer eXperience Center
553 Benson Road
Benton Harbor, MI 49022-2692
1-800-344-1274

Maytag Brand Appliances
Customer eXperience Centre
Unit 200-6750 Century Ave
Mississauga, Ontario L5N 0B7
1-800-807-6777

Please include a daytime phone number in your correspondence.

Assistance ou Service

Avant de faire un appel pour obtenir de l'assistance ou un entretien, vérifiez la section "Dépannage" ou consulter www.maytag.com/help. Cette vérification peut vous faire économiser le coût d'une visite de réparation.

Si vous avez encore besoin d'aide, suivre les instructions ci-dessous.

Lors d'un appel, garder à portée de main la date d'achat et les numéros de modèle et de série de votre appareil. Ces renseignements nous aideront à mieux répondre à votre demande.

Pour commander des pièces de rechange ou des accessoires

Pour commander des pièces de rechange, nous vous recommandons d'utiliser seulement des pièces spécifiées par l'usine. Ces pièces conviendront et fonctionneront bien parce qu'elles sont fabriquées selon les mêmes spécifications précises utilisées pour construire chaque nouvel appareil MAYTAG®.

Pour trouver des pièces de rechange FSP® ou des accessoires, visiter le www.maytag.ca.

Des questions? Composer le numéro sans frais **1-800-807-6777**.

Nos consultants fournissent l'assistance pour :

- Procédés d'utilisation et d'entretien.
- Vente d'accessoires et de pièces de rechange.
- Références aux concessionnaires, compagnies de service de réparation et distributeurs de pièces de rechange locaux. Les techniciens de service désignés par Maytag sont formés pour remplir la garantie des produits et fournir un service après la garantie, partout au Canada.

Pour plus d'assistance

Vous pouvez nous soumettre toute question ou tout problème en écrivant à l'adresse ci-dessous :

Maytag Brand Appliances
Centre pour l'eXpérience de la clientèle
Unit 200-6750 Century Ave
Mississauga, Ontario L5N 0B7
1-800-807-6777

Dans votre correspondance, veuillez indiquer un numéro de téléphone où nous pouvons vous joindre dans la journée.

Ayuda o Servicio Técnico

Antes de llamar para solicitar ayuda o servicio técnico, consulte “Solución de problemas” o visite www.maytag.com/help Esto le podría ahorrar el costo de una llamada de servicio técnico. Si considera que aún necesita ayuda, siga las instrucciones que aparecen a continuación.

Cuando llame, tenga a mano la fecha de compra y el número completo del modelo y de la serie de su electrodoméstico. Esta información nos ayudará a atender mejor a su pedido.

Si necesita piezas de repuesto o pedir accesorios

Recomendamos que use solamente piezas especificadas de fábrica FSP®. Estas piezas encajarán bien y funcionarán bien ya que están fabricadas con la misma precisión empleada en la fabricación de cada electrodoméstico nuevo de marca MAYTAG®.

Para ubicar piezas de repuesto FSP® o para accesorios visite www.maytagpartsonline.com

¿Tiene preguntas? Llámenos al número gratuito **1-800-344-1274** o al **1-800-807-6777** en Canadá

Nuestros consultores ofrecen ayuda para

En los EE. UU.

- Características y especificaciones de nuestra línea completa de electrodomésticos.
- Información sobre la instalación.
- Asistencia especializada para el cliente (habla hispana, problemas de audición, visión limitada, etc.).

En los EE. UU. y Canadá

- Procedimientos de uso y mantenimiento.
- Venta de accesorios y partes para reparación.
- Recomendaciones con distribuidores locales, distribuidores de partes para reparación y compañías que otorgan servicio. Los técnicos de servicio designados por Maytag están capacitados para cumplir con la garantía de producto y ofrecer servicio una vez que la garantía termine, en cualquier lugar de los Estados Unidos y Canadá.

Usted puede escribir con cualquier pregunta o preocupación a:

Maytag Brand Appliances
Customer eXperience Center
553 Benson Road
Benton Harbor, MI 49022-2692
1-800-344-1274

Maytag Brand Appliances
Customer eXperience Centre
Unit 200-6750 Century Ave
Mississauga, Ontario L5N 0B7
1-800-807-6777

Por favor incluya en su correspondencia un número de teléfono en el que se le pueda localizar durante el día.

NOTE

