
MICROWAVE HOOD COMBINATION INSTALLATION INSTRUCTIONS

This product is suitable for use above electric or gas cooking products up to and including 24" (61.0 cm) wide. See "Installation Requirements" section for further details.

BEFORE BEGINNING PLEASE NOTE:

- Read these Installation Instructions in their entirety before starting.
- Vent system is required for this installation. See "Venting Requirements" section.
- When installation is complete, the microwave oven's galvanized upper component housing will be visible above the microwave oven. The housing may be covered using a stainless steel filler panel (not provided) or with customized cabinetry. See "Complete Installation" section.

ENSEMBLE FOUR À MICRO-ONDES/HOTTE INSTRUCTIONS D'INSTALLATION

Ce produit peut être installé au-dessus de produits de cuisson électriques ou à gaz d'une largeur maximale de 24" (61 cm). Voir la section "Exigences d'installation" pour plus de détails.

AVANT DE COMMENCER, NOTER LES POINTS SUIVANTS :

- Lire la totalité de ces instructions d'installation avant de commencer.
- Cette installation nécessite un système d'évacuation. Voir la section "Exigences du circuit d'évacuation".
- Une fois l'installation terminée, le compartiment supérieur galvanisé du four à micro-ondes sera apparent au-dessus du four à micro-ondes. Le compartiment peut être recouvert d'un panneau de remplissage en acier inoxydable (non fourni) ou d'un élément de placard personnalisé. Voir la section "Achever l'installation".

Table of Contents / Table des matières

MICROWAVE HOOD COMBINATION SAFETY	2	SÉCURITÉ DE L'ENSEMBLE FOUR À MICRO-ONDES/HOTTE.....	12
INSTALLATION REQUIREMENTS.....	2	EXIGENCES D'INSTALLATION.....	12
Tools and Parts.....	2	Outils et pièces.....	12
Location Requirements	3	Exigences d'emplacement.....	13
Product Dimensions	3	Dimensions du produit.....	13
Electrical Requirements.....	4	Spécifications électriques	14
Venting Requirements	4	Exigences du circuit d'évacuation	14
INSTALLATION INSTRUCTIONS.....	6	INSTRUCTIONS D'INSTALLATION.....	16
Install L-Brackets.....	6	Installation des supports en "L".....	16
Prepare Upper Cabinet.....	6	Préparation du placard mural.....	16
Install Stainless Steel Panel Kit (optional steps)	6	Installation du panneau en acier inoxydable (étapes facultatives).....	17
Install the Microwave Oven	7	Installation du four à micro-ondes	17
Install Damper Assembly.....	7	Installation du clapet anti-retour	18
Install Bottom Plate	8	Installation de la plaque inférieure.....	18
Install Rear Trim.....	8	Installation de la garniture arrière.....	19
Install Visor.....	9	Installation de l'écran mobile.....	19
Install Charcoal Filter Kit (for recirculation venting only).....	9	Installation du filtre à charbon (pour une installation avec recyclage uniquement).....	20
Install Grease Filter	9	Installation du filtre à graisse.....	20
Complete Installation.....	10	Achever l'installation.....	21
ASSISTANCE	11	ASSISTANCE.....	22
Replacement Parts	11	Pièces de rechange.....	22
Kits.....	11	Ensembles.....	22

MICROWAVE HOOD COMBINATION SAFETY

Your safety and the safety of others are very important.

We have provided many important safety messages in this manual and on your appliance. Always read and obey all safety messages.



This is the safety alert symbol.

This symbol alerts you to potential hazards that can kill or hurt you and others.

All safety messages will follow the safety alert symbol and either the word "DANGER" or "WARNING."

These words mean:

⚠ DANGER

You can be killed or seriously injured if you don't immediately follow instructions.

⚠ WARNING

You can be killed or seriously injured if you don't follow instructions.

All safety messages will tell you what the potential hazard is, tell you how to reduce the chance of injury, and tell you what can happen if the instructions are not followed.

INSTALLATION REQUIREMENTS

Tools and Parts

Tools Needed

Gather the required tools and parts before starting installation. Read and follow the instructions provided with any tools listed here.

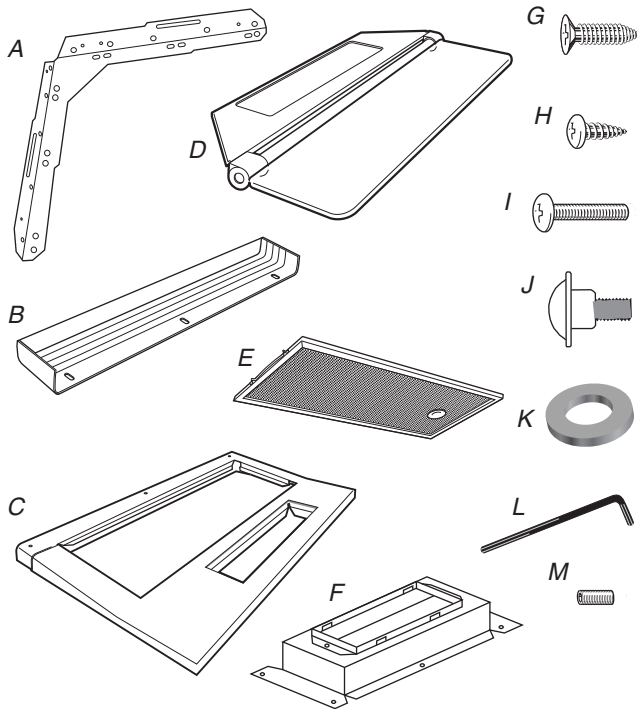
- Measuring tape
- Pencil
- Box cutter
- No. 3 Phillips screwdriver
- Drill
- 1½" (3.8 cm) diam. hole drill bit for wood
- 2 mm drill bit
- ¾" (19 mm) hole saw
- Keyhole saw
- Duct tape
- Level

Materials needed

- Standard fittings for venting. See "Venting Requirements" section.

Parts Supplied

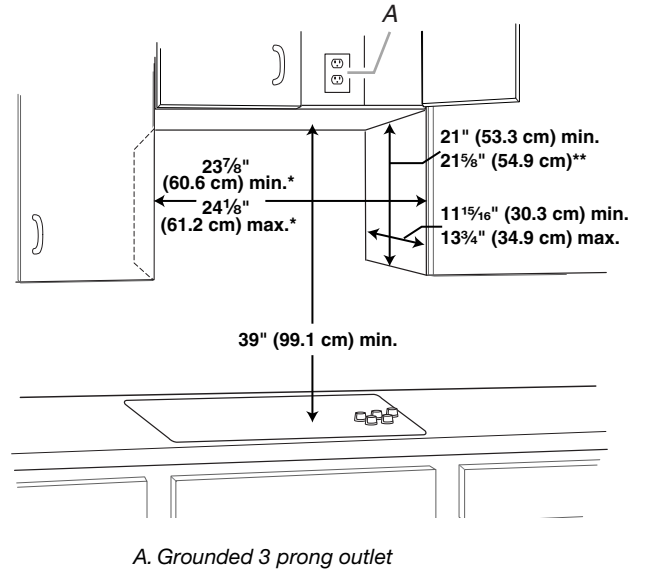
For information on ordering, see “Replacement Parts” section.



- | | |
|--------------------|-------------------------------|
| A. L-brackets (2) | G. 16 mm wood screws (10) |
| B. Rear trim | H. 9.5 mm metal screws (10) |
| C. Bottom plate | I. 16 mm round-head bolts (2) |
| D. Visor | J. 17 mm shoulder screws (2) |
| E. Grease filter | K. Washers (2) |
| F. Damper assembly | L. Hex key |
| | M. Leveling screws (4) |

Installation Dimensions

NOTE: The grounded 3 prong outlet must be inside the upper cabinet. See “Electrical Requirements” section.



*Measure from the front edges of the side cabinets.

**For installation with stainless steel filler panel.

NOTE: To avoid stress on the power cord, a minimum of $1\frac{1}{2}$ " (3.8 cm) must exist between the top surface of the microwave oven's upper component housing and the bottom of the upper cabinet.

Location Requirements

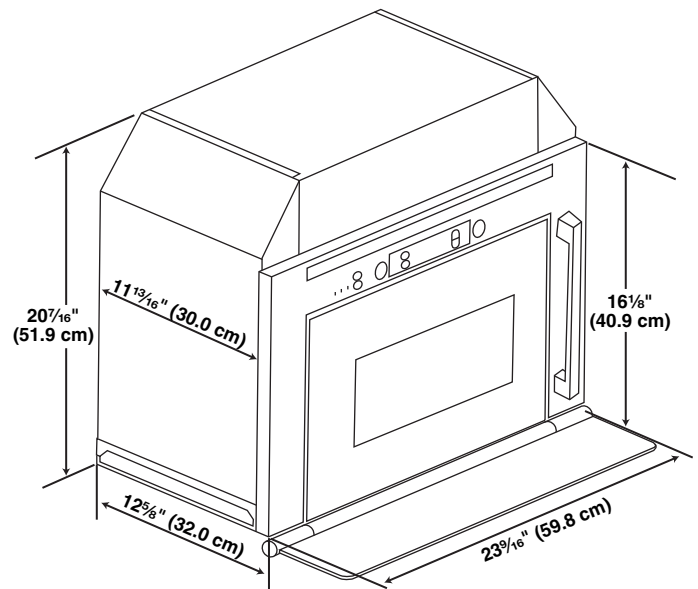
Check the opening where the microwave oven will be installed. The location must provide:

- Minimum installation dimensions. See “Installation Dimensions” illustration.
- Side cabinets: Support for weight of 75 lbs (34 kg) each, which includes microwave oven and items placed inside the microwave oven and side cabinets.
- Grounded electrical outlet inside upper cabinet. See “Electrical Requirements” section.

NOTES:

- Installation requires venting above the microwave oven.
- Recirculation installation requires venting through a kitchen soffit. See “Venting Requirements” section. A charcoal filter kit should be used for recirculation. See “Assistance” section for information on ordering.
- If you are using a rectangular to round transition piece, 3" (7.6 cm) clearance needs to exist above the damper assembly so that the damper blade can open freely and fully. See “Rectangular to Round Transition” illustration in “Venting Requirements” section.
- Some cabinet and building materials are not designed to withstand the heat produced by the microwave oven for cooking. Check with your builder or cabinet supplier to make sure that the materials used will not discolor, delaminate or sustain other damages.

Product Dimensions



Electrical Requirements

⚠ WARNING



Electrical Shock Hazard

Plug into a grounded 3 prong outlet.

Do not remove ground prong.

Do not use an adapter.

Do not use an extension cord.

Failure to follow these instructions can result in death, fire, or electrical shock.

Observe all governing codes and ordinances.

Required:

- A 120 volt, 60 Hz, AC only, 15- or 20-amp electrical supply with a fuse or circuit breaker.

Recommended:

- A time-delay fuse or time-delay circuit breaker.
- A separate circuit serving only this microwave oven.

GROUNDING INSTRUCTIONS

■ For all cord connected appliances:

The microwave oven must be grounded. In the event of an electrical short circuit, grounding reduces the risk of electric shock by providing an escape wire for the electric current. The microwave oven is equipped with a cord having a grounding wire with a grounding plug. The plug must be plugged into an outlet that is properly installed and grounded.

WARNING: Improper use of the grounding plug can result in a risk of electric shock. Consult a qualified electrician or serviceman if the grounding instructions are not completely understood, or if doubt exists as to whether the microwave oven is properly grounded.

Do not use an extension cord. If the power supply cord is too short, have a qualified electrician or serviceman install an outlet near the microwave oven.

SAVE THESE INSTRUCTIONS

Venting Requirements

This section is intended for architectural designer and builder/contractor reference only.

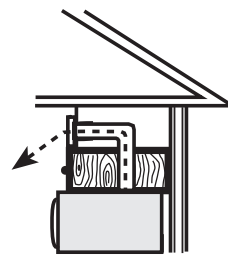
NOTES:

- If installing for recirculation, venting must be routed up and out through an exhaust register (not provided) in a kitchen soffit. A charcoal filter kit (not provided) should be used. See "Assistance" section for information on ordering.
- Vent materials needed for installation are not provided with microwave hood combination.
- We do not recommend using a flexible metal vent.
- To avoid possible product damage, be sure to vent air outside, unless using recirculation installation. Do not vent exhaust air into concealed spaces, such as spaces within walls or ceilings, attics, crawl spaces or garages.

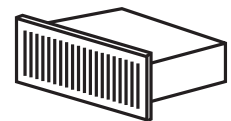
For optimal venting installation, we recommend:

- using roof or wall caps that have back draft dampers
- using a rigid metal vent
- using the most direct route by minimizing the length of the vent and number of elbows to provide efficient performance
- using uniformly sized vents
- using duct tape to seal all joints in the vent system
- using caulking compound to seal exterior wall or roof opening around cap
- for optimal hood performance, do not install 2 elbows together

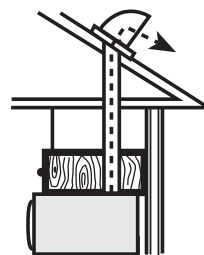
If rectangular to round transition is used, be sure there is at least 3" (7.6 cm) of clearance between the top of the damper assembly and the transition piece. See "Rectangular to Round Transition" illustration.



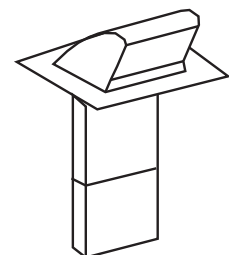
Recirculation venting



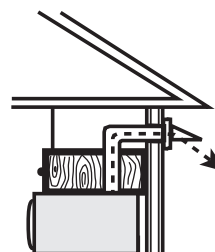
Exhaust register



Roof venting



Roof cap



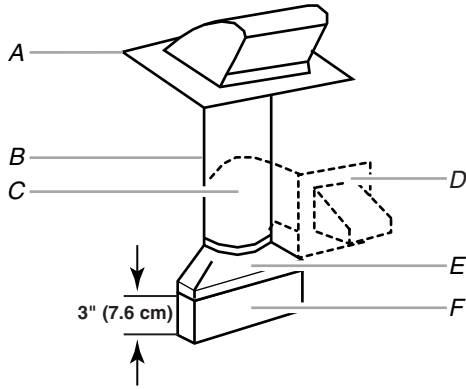
Wall venting



Wall cap

Rectangular to Round Transition

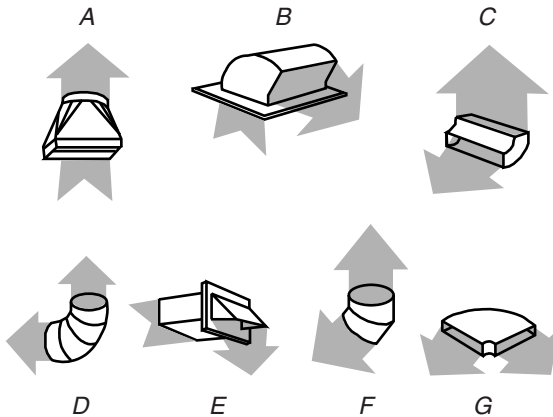
NOTE: The minimum 3" (7.6 cm) clearance must exist between the top of the damper assembly and the rectangular to round transition piece so that the damper can open freely and fully.



- A. Roof cap
- B. 6" (15.2 cm) min. diameter round vent
- C. Elbow (for wall venting only)
- D. Wall cap
- E. 3 1/4" x 10" to 6" (8.3 x 25.4 cm to 15.2 cm) rectangular to round transition piece
- F. Vent extension piece, at least 3" (7.6 cm) high

Recommended Standard Fittings

The following length equivalents are for use when figuring vent length. See the examples in "Recommended Vent Length."



- A. Rectangular to round transition piece: 3 1/4" x 10" to 6" = 5 ft (8.3 x 25.4 cm to 15.2 cm = 1.5 m)
- B. Roof cap: 3 1/4" x 10" = 24 ft (8.3 x 25.4 cm = 7.3 m)
- C. 90° elbow: 3 1/4" x 10" = 25 ft (8.3 x 25.4 cm = 7.6 m)
- D. 90° elbow: 6" = 10 ft (15.2 cm = 3 m)
- E. Wall cap: 3 1/4" x 10" = 40 ft (8.3 x 25.4 cm = 12.2 m)
- F. 45° elbow: 6" = 5 ft (15.2 cm = 1.5 m)
- G. 90° flat elbow: 3 1/4" x 10" = 10 ft (8.3 x 25.4 cm = 3 m)

Recommended Vent Length

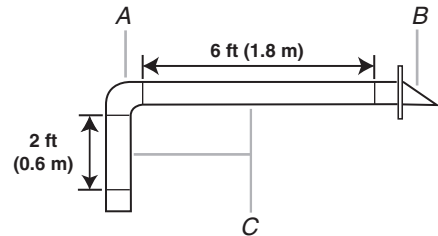
A 3 1/4" x 10" (8.3 x 25.4 cm) rectangular or 6" (15.2 cm) round vent should be used.

The total length of the vent system including straight vent, elbow(s), transitions and wall or roof caps must not exceed the equivalent of 140 ft (42.7 m) for either type of vent. See "Recommended Standard Fittings" section for equivalent lengths.

For best performance, use no more than three 90° elbows.

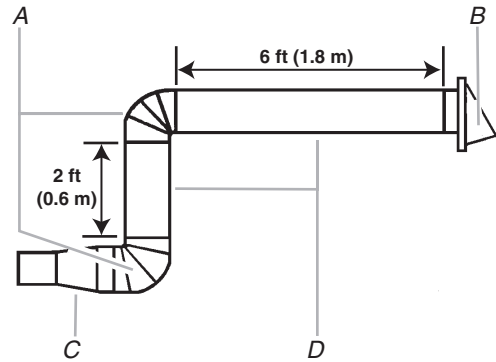
To calculate the length of the system you need, add the equivalent lengths of each vent piece used in the system. See the following examples:

3 1/4" x 10" (8.3 x 25.4 cm) vent system = 73 ft (22.2 m) total



- A. One 3 1/4" x 10" (8.3 x 25.4 cm) 90° elbow = 25 ft (7.6 m)
- B. 1 wall cap = 40 ft (12.2 m)
- C. 2 ft (0.6 m) + 6 ft (1.8 m) straight = 8 ft (2.4 m)

6" (15.2 cm) vent system = 73 ft (22.2 m) total



- A. Two 90° elbows = 20 ft (6.1 m)
- B. 1 wall cap = 40 ft (12.2 m)
- C. 1 rectangular to round transition piece = 5 ft (1.5 m)
- D. 2 ft (0.6 m) + 6 ft (1.8 m) straight = 8 ft (2.4 m)

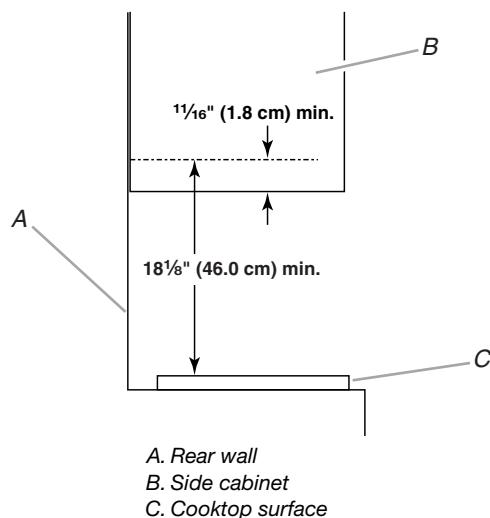
If the existing vent is round, a rectangular to round transition piece must be used. In addition, a rectangular 3" (7.6 cm) extension vent between the damper assembly and rectangular to round transition piece must be installed to keep the damper from sticking.

INSTALLATION INSTRUCTIONS

Install L-Brackets

1. Measure and mark a line on each of the side cabinets at least 18 $\frac{1}{8}$ " (46.0 cm) above the surface of the cooktop. See "Installation Dimensions" in the "Location Requirements" section.

Make sure each line is level front to back, and that the lines are level to each other.

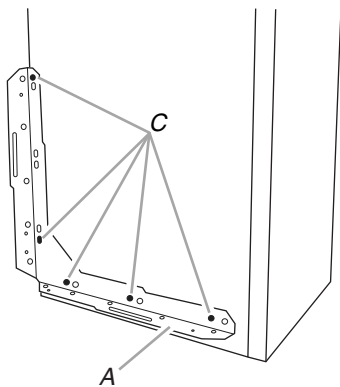


2. Hold L-bracket against the side cabinet, with the bottom of the horizontal arm aligning with the line drawn in Step 1, and the vertical arm against the rear wall.

NOTES:

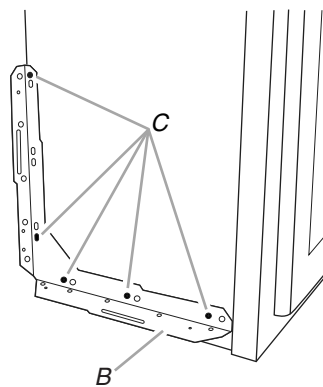
- If installing into frameless or flush face-frame cabinetry (no front face or protruding trim), position each bracket so that the narrow arm is horizontal, and the wide arm is against the rear wall.
 - If installing into face-frame cabinetry, position each bracket so that the wide arm is horizontal, and the narrow arm is against the rear wall.
3. Mark 3 holes through the horizontal arm onto the side cabinet, then mark 2 holes through the vertical arm onto the side cabinet, 1 at the top and 1 at the bottom.

Installation into frameless or flush face-frame cabinetry



A. Narrow arm
B. Wide arm
C. Mounting holes

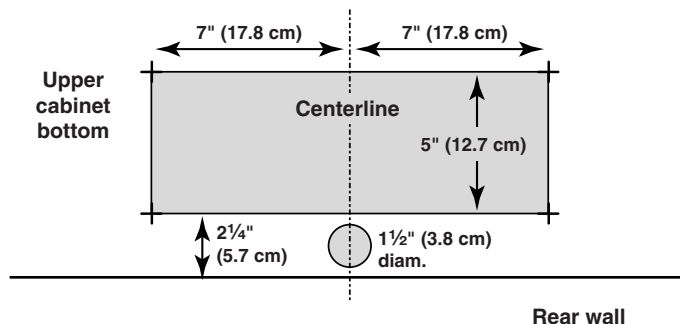
Installation into face-frame cabinetry



4. Using 2 mm drill, drill holes marked in Step 3.
5. Secure L-brackets to side cabinets with ten 16 mm wood screws, 5 in each L-bracket.

Prepare Upper Cabinet

1. Find the centerline of the installation space. Mark the centerline on the bottom of the upper cabinet.
2. Measure and mark the power cord and vent holes, as shown, making sure they are centered on the centerline.



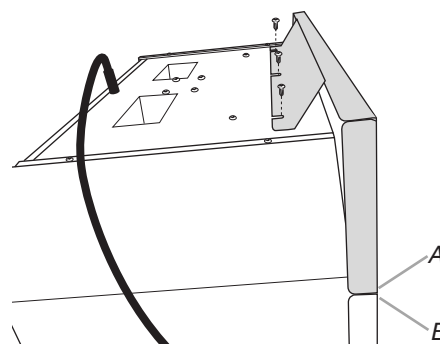
3. Cut the power cord hole using the 1 $\frac{1}{2}$ " (3.8 cm) hole drill bit.
4. Cut 3/4" (19 mm) hole at one corner of the vent hole marking.
5. Using a keyhole saw, cut out the rectangular vent area.

Install Stainless Steel Panel Kit (optional steps)

If you decide to cover the upper component housing with the stainless steel panel (not provided), you will need to order the stainless steel panel kit. See "Assistance" section for information on ordering.

The panel must be attached to the microwave oven before installation.

1. Peel off adhesive strip covers on bottom edge of panel, and place the panel on the top edge of the front facing of the microwave oven.



A. Bottom edge of stainless steel panel
B. Top edge of microwave oven front facing

2. Secure panel to upper component housing with 3 mounting screws.

Install the Microwave Oven

1. Remove any contents of the microwave oven.

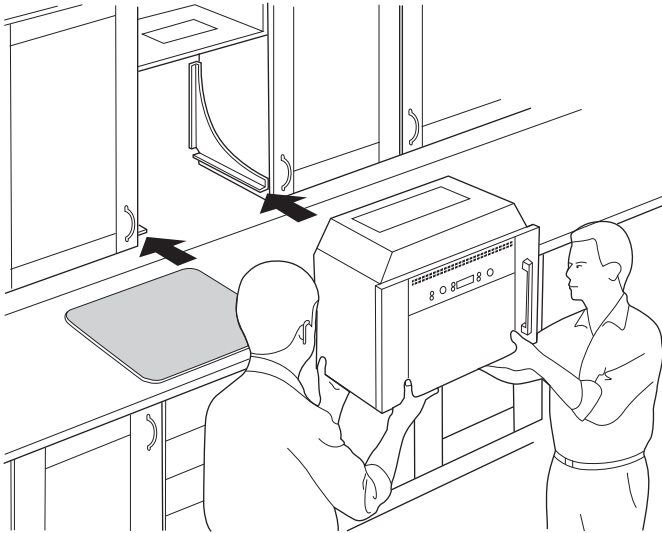
! WARNING

Excessive Weight Hazard

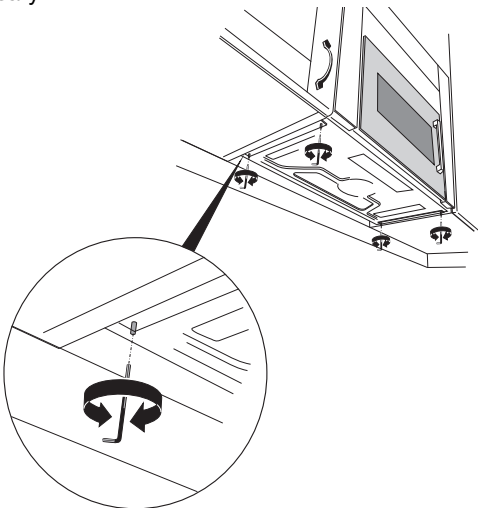
Use two or more people to move and install microwave oven.

Failure to do so can result in back or other injury.

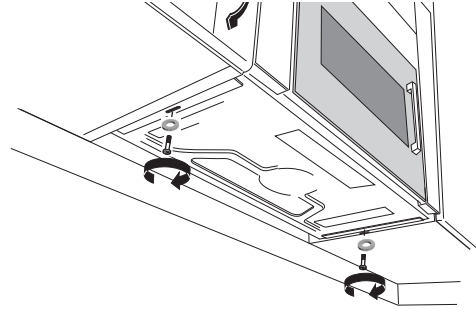
2. Using 2 or more people, lift microwave oven, and place it onto the L-brackets. Gently slide the microwave oven back against the rear wall.



3. Check level of microwave oven.
4. Start the leveling screws in the front and back holes of the L-bracket bases, and adjust the level using the hex key, if necessary.

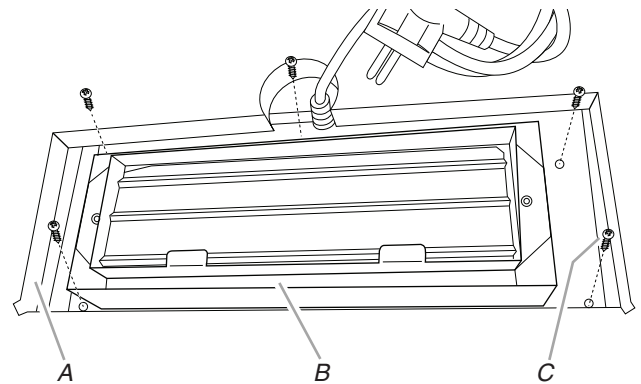


5. Place a washer on each 16 mm round-head bolt, then install each bolt through the L-bracket base slot, into the mounting hole in the bottom of the microwave oven. Do not overtighten.



Install Damper Assembly

1. Insert damper assembly through the upper cabinet cutout, and orient it so that the 3 mounting holes are toward the back of the microwave oven.



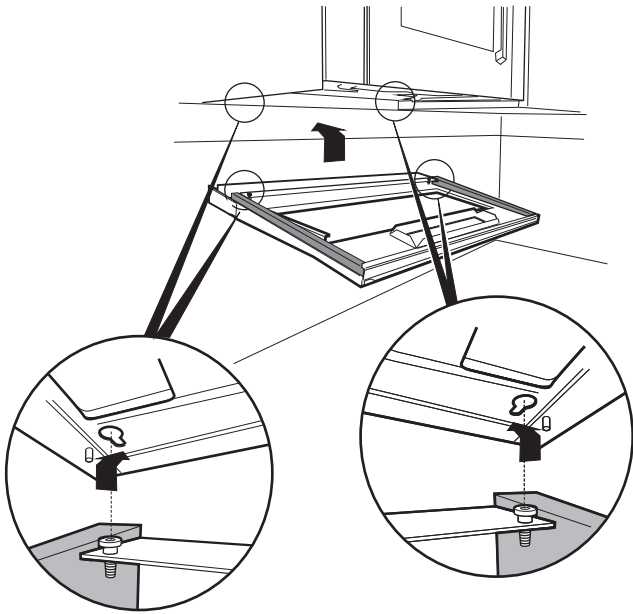
A. Damper assembly
B. Upper cabinet cutout
C. 9.5 mm metal screws (5)

2. Secure the damper assembly to the upper component housing with five 9.5 mm metal screws.

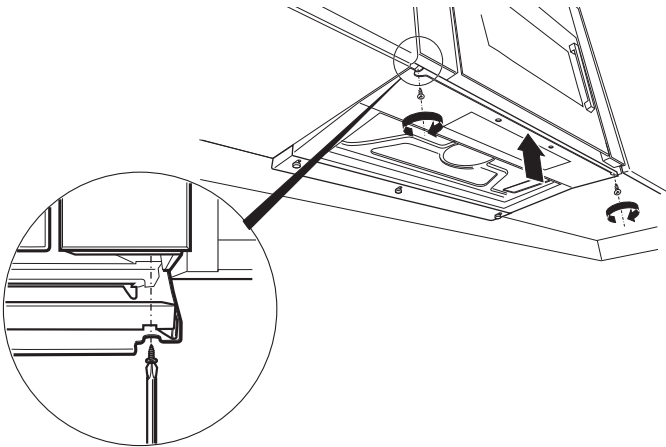
Install Bottom Plate

NOTE: Pre-tap front mounting holes prior to bottom plate attachment. (See Step 2.)

1. Hook the heads of the screws through the keyholes at the back of the microwave oven bottom, as shown, then slide bottom plate back.

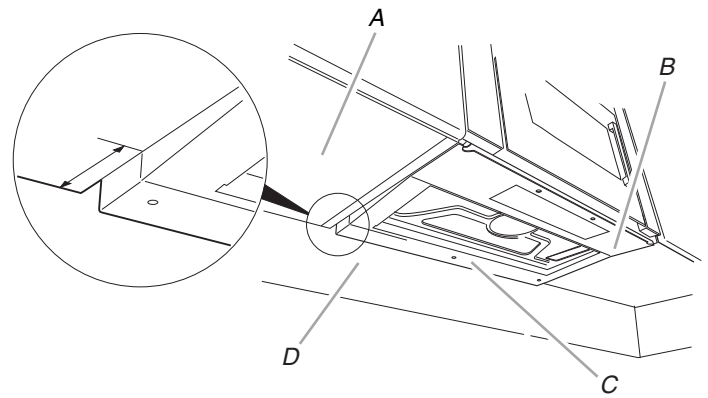


2. Secure bottom plate onto microwave oven bottom using two 9.5 mm metal screws through the front mounting holes.



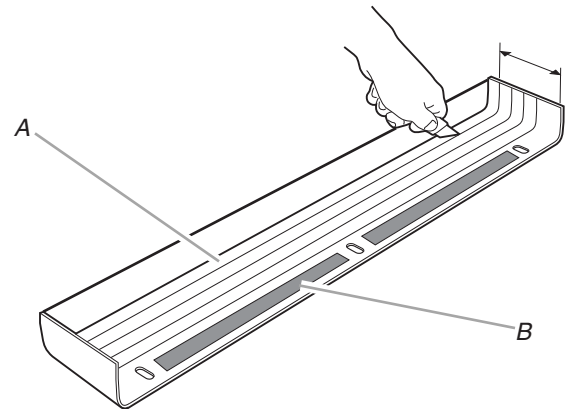
Install Rear Trim

1. Measure the distance from the rear wall to the front edge of the rear frame of the bottom plate.



A. Left side cabinet bottom
B. Bottom plate
C. Rear frame of bottom plate
D. Rear wall

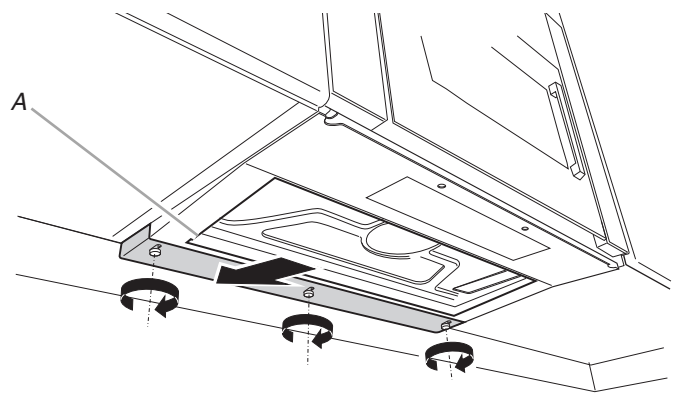
2. Cut the rear trim to the same measurement.



A. Rear trim
B. Adhesive cover

3. Peel off adhesive strip covers, and place the rear trim against the rear wall and microwave oven bottom.

NOTE: Make sure trim does not cover the opening for grease filter.

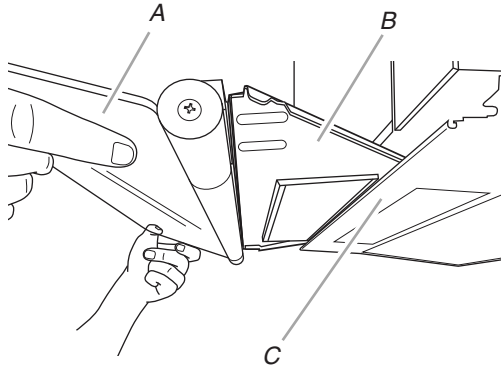


A. Opening for grease filter

4. Secure rear trim with three 9.5 mm metal screws.

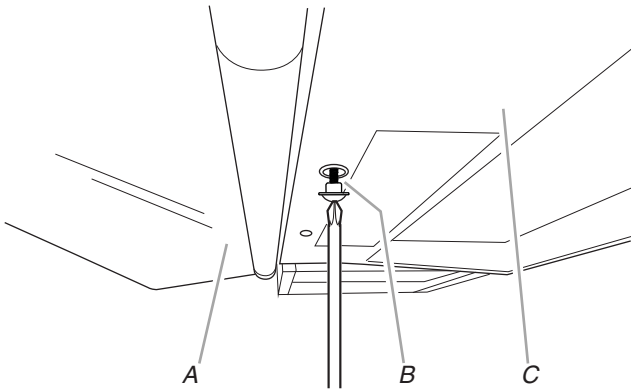
Install Visor

1. Open visor, and slide its mounting tray – with the mounting tray edges facing down – into the slot between the microwave oven bottom and the bottom plate, as shown.



A. Visor
B. Visor mounting tray
C. Bottom plate

2. Secure visor by installing two 17 mm shoulder screws through the bottom plate into the visor mounting tray.



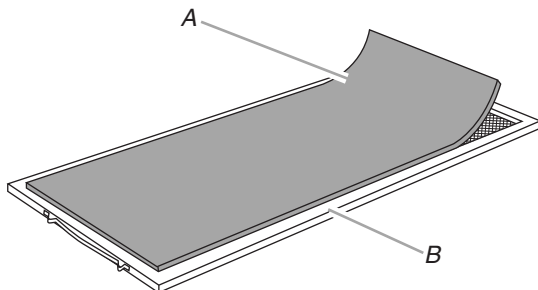
A. Visor
B. 17 mm shoulder screws
C. Bottom plate

Install Charcoal Filter Kit (for recirculation venting only)

The charcoal filter kit should be used. See “Assistance” section for information on ordering.

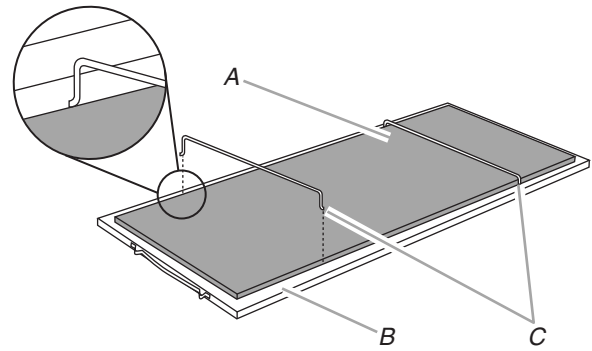
To Install Charcoal Filter:

1. Cover the inside of the grease filter with the charcoal filter.



A. Charcoal filter
B. Grease filter

2. Insert wire rods to hold charcoal filter in place.

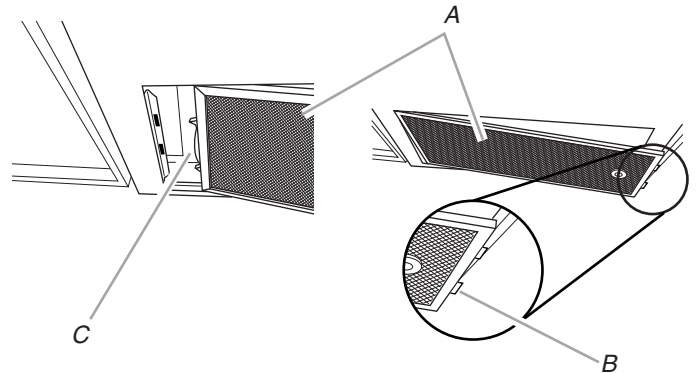


A. Charcoal filter
B. Grease filter
C. Wire rods

3. Install grease filter. See “Install Grease Filter” section.

Install Grease Filter

1. Place bracket end of the grease filter into one side of the bottom plate opening, push toward the bracket end, and swing up the tabbed end of the grease filter.



A. Grease filter
B. Tabs
C. Bracket

2. Push the tabbed end of the grease filter up until the tabs are above the opening, then release the tension.

Complete Installation

1. Connect all venting and ductwork necessary for the type of installation (roof venting, wall venting or recirculation). See “Venting Requirements” section.
2. Install turntable support and turntable.

⚠ WARNING



Electrical Shock Hazard

Plug into a grounded 3 prong outlet.

Do not remove ground prong.

Do not use an adapter.

Do not use an extension cord.

Failure to follow these instructions can result in death, fire, or electrical shock.

3. Plug microwave oven into grounded 3 prong outlet.
4. Check the operation of microwave oven by placing 1 cup (250 mL) of water on the turntable, and programming a cook time of 1 minute at 100% power. Test vent fan and exhaust by operating the vent fan.
5. If the microwave oven does not operate:
 - Check that a household fuse has not blown, or that a circuit breaker has not tripped. Replace the fuse or reset the circuit breaker. If the problem continues, call an electrician.
 - Check that the power supply cord is plugged into a grounded 3 prong outlet.
 - See the Use and Care Guide for troubleshooting information.

Installation is now complete.

Save Installation Instructions for future use.

NOTE: After installation is complete, the upper component housing on the top of the microwave oven will be visible (Figure 1). The housing may be covered using a stainless steel panel kit (Figure 1A). See “Assistance” section for information on ordering. The housing may also be covered using cabinet customization (Figure 1B). Check with your cabinet supplier/builder.

Figure 1

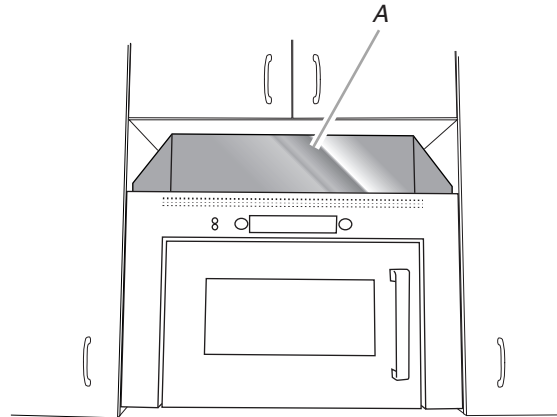


Figure 1A

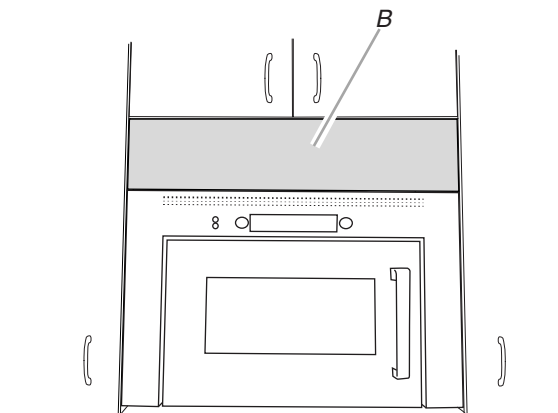
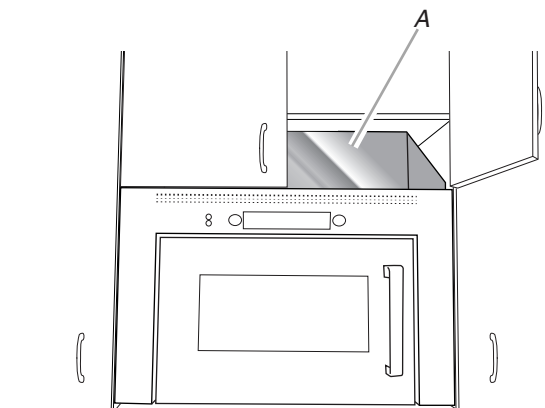


Figure 1B



*A. Upper component housing
B. Stainless steel panel*

ASSISTANCE

Call your authorized dealer or service center. When you call, you will need the microwave oven model number and serial number. Both numbers can be found on the model and serial number plate, which is located behind the microwave oven door on the front frame of the microwave oven.

If you need additional assistance, call us at our toll free number or visit our website listed in the Use and Care Guide.

Replacement Parts

If any of the installation hardware needs to be replaced, call us at our toll free number listed in the Use and Care Guide.

Following is a list of available replacement parts. You will need your model number located on the front facing of the microwave oven opening, behind the door.

- Damper Assembly
- Visor
- Rear Trim
- Mounting Screw Kit (includes parts G-M in “Parts Supplied” in the “Tools and Parts” section)
- L-brackets

Kits

The following kits are not provided but may be ordered.

- Charcoal Filter Kit (Part Number W10610033) Includes:
 - 1 charcoal filter
 - 2 wire rods
- Stainless Steel Panel Kit (Part Number W11170104) Includes:
 - 1 stainless steel panel
 - 3 mounting screws
 - 1 Installation Instruction

SÉCURITÉ DE L'ENSEMBLE FOUR À MICRO-ONDES/HOTTE

Votre sécurité et celle des autres est très importante.

Nous donnons de nombreux messages de sécurité importants dans ce manuel et sur votre appareil ménager. Assurez-vous de toujours lire tous les messages de sécurité et de vous y conformer.



Voici le symbole d'alerte de sécurité.

Ce symbole d'alerte de sécurité vous signale les dangers potentiels de décès et de blessures graves à vous et à d'autres.

Tous les messages de sécurité suivront le symbole d'alerte de sécurité et le mot "DANGER" ou "AVERTISSEMENT". Ces mots signifient :

⚠ DANGER

Risque possible de décès ou de blessure grave si vous ne suivez pas immédiatement les instructions.

⚠ AVERTISSEMENT

Risque possible de décès ou de blessure grave si vous ne suivez pas les instructions.

Tous les messages de sécurité vous diront quel est le danger potentiel et vous disent comment réduire le risque de blessure et ce qui peut se produire en cas de non-respect des instructions.

EXIGENCES D'INSTALLATION

Outils et pièces

Outils nécessaires

Rassembler les outils et pièces nécessaires avant d'entreprendre l'installation. Lire et observer les instructions fournies avec chacun des outils de la liste ci-dessous.

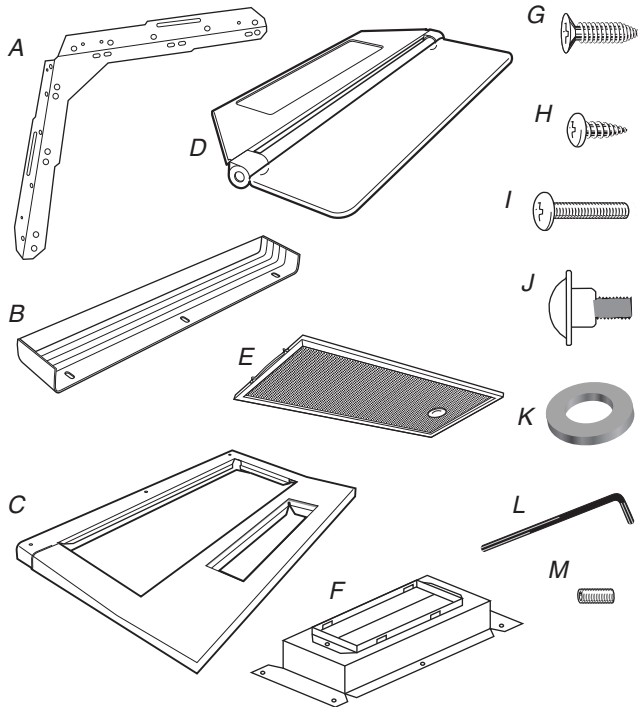
- Mètre ruban
- Crayon
- Cutter
- Tournevis Phillips n° 3
- Perceuse
- Cloche à percer de 1½" (3,8 cm) (pour bois)
- Foret 2 mm
- Scie-cloche de 3/4" (19 mm)
- Scie à guichet
- Ruban adhésif pour conduit
- Niveau

Matériaux nécessaires

- Raccords standard pour évacuation. Voir la section "Exigences du circuit d'évacuation".

Pièces fournies

Pour la commande de pièces, voir la section "Pièces de rechange".



- | | |
|------------------------|----------------------------------|
| A. Supports en "L" (2) | G. Vis en bois de 16 mm (10) |
| B. Garniture arrière | H. Vis de tôle de 9,5 mm (10) |
| C. Plaque inférieure | I. Vis à tête ronde de 16 mm (2) |
| D. Écran mobile | J. Vis à épaulement de 17 mm (2) |
| E. Filtre à graisse | K. Rondelles (2) |
| F. Clapet anti-retour | L. Clé à tête hexagonale |
| | M. Vis de nivellement (4) |

Exigences d'emplacement

Inspecter l'ouverture où le four à micro-ondes sera installé. Il doit comporter les caractéristiques suivantes :

- Dimensions minimales à respecter lors de l'installation. Voir l'illustration "Dimensions à respecter lors de l'installation".
- Placards latéraux : Capables de supporter une charge de 75 lb (34 kg) pour chaque placard - ceci comprend le four à micro-ondes et les articles placés à l'intérieur du four à micro-ondes et des placards latéraux.
- Prise de courant électrique reliée à la terre à l'intérieur du placard mural. Voir la section "Spécifications électriques".

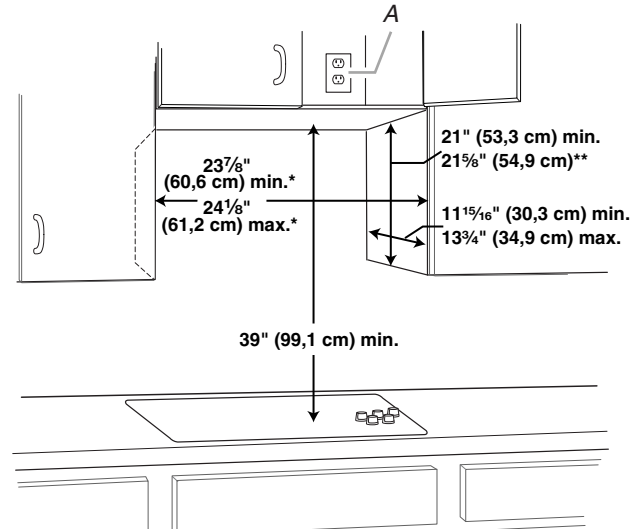
REMARQUES :

- Un système d'évacuation doit être installé au-dessus du four à micro-ondes.
- Pour une installation sans décharge à l'extérieur (recyclage), l'évacuation doit se faire à travers un soffite dans la cuisine. Voir la section "Exigences du circuit d'évacuation". Pour une installation avec recyclage, on doit utiliser un ensemble de filtre à charbon. Voir la section "Assistance" pour connaître le processus de commande.
- Si l'on utilise un raccord de transition rectangulaire/ronde, on doit disposer d'un espace libre de 3" (7,6 cm) au-dessus du clapet anti-retour afin que la lame du clapet puisse manœuvrer complètement et librement. Voir l'illustration "Raccord de transition rectangulaire/ronde" dans la section "Exigences du circuit d'évacuation".

- Les matériaux de certains placards et certains matériaux de construction peuvent ne pas résister à la chaleur émise par le four à micro-ondes lors des opérations de cuisson. Consulter le constructeur de la maison ou le fabricant des placards pour déterminer si les matériaux utilisés pourraient subir un changement de couleur, une déstratification ou d'autres dommages.

Dimensions à respecter lors de l'installation

REMARQUE : La prise de courant à 3 alvéoles reliée à la terre doit être située à l'intérieur du placard mural. Voir la section "Spécifications électriques".



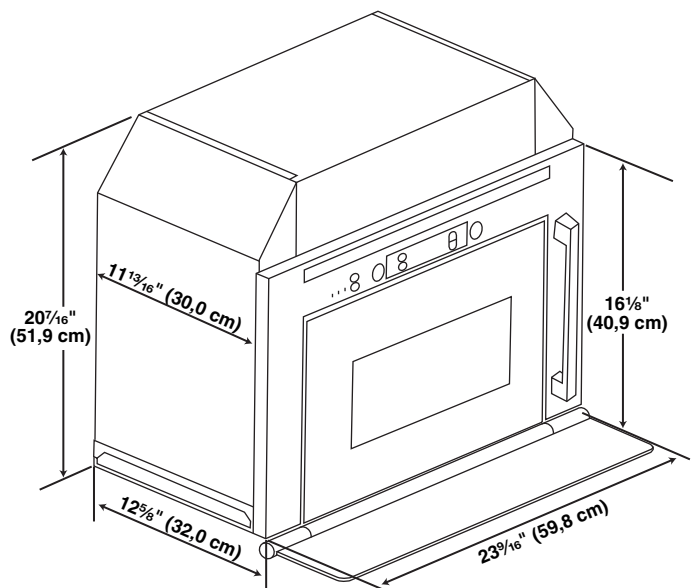
A. Prise à 3 alvéoles reliée à la terre

*Prendre les mesures à partir des rebords avant des placards latéraux.

**Pour une installation avec panneau de remplissage en acier inoxydable.

REMARQUE : Afin d'éviter de créer une tension sur le cordon d'alimentation, on doit laisser un dégagement minimal de 1 1/2" (3,8 cm) entre le haut du compartiment du composant supérieur du four à micro-ondes et le bas du placard supérieur.

Dimensions du produit



Spécifications électriques

⚠ AVERTISSEMENT



Risque de choc électrique

Brancher sur une prise à 3 alvéoles reliée à la terre.

Ne pas enlever la broche de liaison à la terre.

Ne pas utiliser un adaptateur.

Ne pas utiliser un câble de rallonge.

Le non-respect de ces instructions peut causer un décès, un incendie ou un choc électrique.

Observer les dispositions de tous les codes et règlements en vigueur.

Nécessaire :

- Une alimentation électrique de 120 volts, 60 Hz, CA seulement, 15 ou 20 ampères, protégée par un fusible ou un disjoncteur.

Recommandé :

- Un fusible temporisé ou un disjoncteur temporisé.
- Un circuit distinct exclusif à ce four à micro-ondes.

INSTRUCTIONS DE LIAISON À LA TERRE

■ Pour tout appareil ménager connecté par un cordon de courant électrique :

Il faut que le four à micro-ondes soit relié à la terre. En cas de court-circuit électrique, la liaison à la terre réduit le risque de choc électrique car le courant électrique dispose d'un itinéraire direct d'acheminement à la terre. Le four à micro-ondes est doté d'un cordon de courant électrique qui comporte un fil de liaison à la terre, avec broche de liaison à la terre. On doit brancher la fiche sur une prise de courant convenablement installée et reliée à la terre.

AVERTISSEMENT : L'utilisation incorrecte du dispositif de liaison à la terre peut susciter un risque de choc électrique. L'utilisateur qui ne comprend pas bien les instructions de liaison à la terre, ou qui n'est pas certain que le four à micro-ondes soit convenablement relié à la terre, devrait consulter un électricien ou un technicien qualifié.

Ne pas utiliser un câble de rallonge. Si le cordon de courant électrique est trop court, demander à un électricien ou un technicien qualifié d'installer une prise de courant à proximité du four à micro-ondes.

CONSERVEZ CES INSTRUCTIONS

Exigences du circuit d'évacuation

Cette section présente de l'information de référence uniquement, à l'intention des architectes/concepteurs et constructeurs.

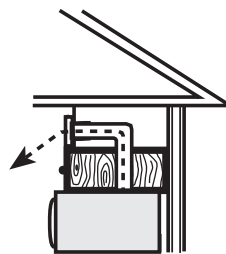
REMARQUES :

- Pour une installation avec recyclage, les raccords de ventilation doivent être acheminés jusqu'à (et à travers) une grille d'évacuation (non fournie) dans un soffite de la cuisine. Utiliser un ensemble de filtre à charbon (non fourni). Voir la section "Assistance" pour connaître le processus de commande.
- Les matériaux du circuit d'évacuation nécessaires à l'installation ne sont pas fournis avec l'ensemble four à micro-ondes/hotte.
- On déconseille l'emploi d'un conduit métallique flexible.
- Pour éviter d'éventuelles détériorations du produit, veiller à ce que l'air aspiré soit déchargé à l'extérieur (sauf dans le cas d'une installation avec recyclage). Veiller à ce que l'air aspiré ne soit pas déchargé dans un espace fermé dissimulé : cavités murales ou un plafond, grenier, vide sanitaire ou garage.

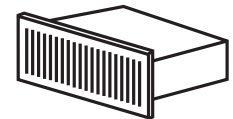
Recommandations pour une installation optimale du circuit d'évacuation :

- utiliser une bouche de décharge (murale ou sur toit) comportant un clapet anti-reflux à l'arrière
- utiliser un conduit métallique rigide
- utiliser l'itinéraire d'acheminement le plus direct; minimiser la longueur du circuit et le nombre de coudes pour obtenir un fonctionnement efficace
- utiliser des conduits de taille uniforme
- assurer l'étanchéité de toutes les jointures du système d'évacuation avec du ruban adhésif pour conduits
- utiliser un composé de calfeutrage pour assurer l'étanchéité autour de la bouche de décharge (murale ou sur toit)
- pour optimiser la performance de la hotte, ne pas connecter ensemble 2 raccords soudés

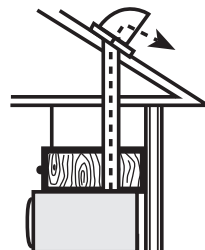
Dans le cas d'une décharge à travers le toit, si on doit utiliser un raccord de transition (rectangulaire/rond), veiller à disposer d'un espace libre d'au moins 3" (7,6 cm) entre le sommet du module du clapet anti-reflux et le raccord de transition. Voir l'illustration "Raccord de transition rectangulaire/rond".



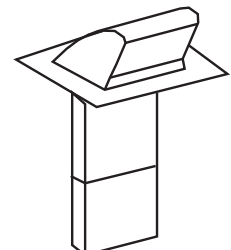
Installation sans décharge à l'extérieur



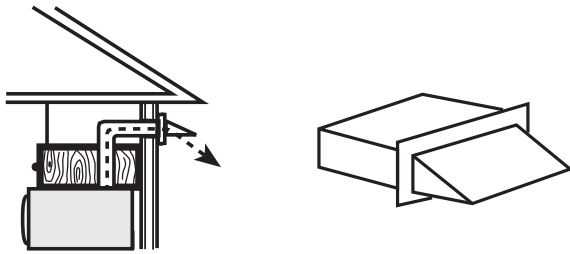
Grille d'évacuation



Décharge à travers le toit



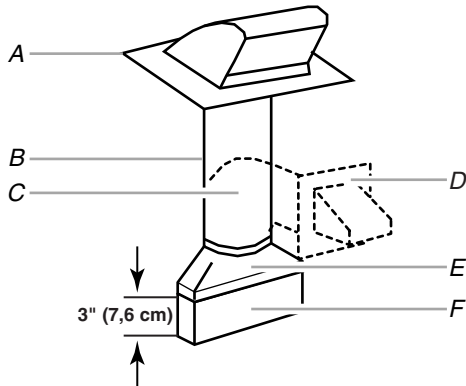
Bouche de décharge sur toit



Décharge à travers le mur Bouche de décharge murale

Raccord de transition rectangulaire/rond

REMARQUE : On doit disposer d'un espace libre de 3" (7,6 cm) ou plus entre le sommet du module du clapet anti-reflux et le raccord de transition rectangulaire/rond pour que le clapet anti-reflux puisse manœuvrer librement et complètement.



- A. Bouche de décharge sur toit
- B. Conduit rond de dia. 6" (15,2 cm) min.
- C. Coude (pour décharge murale uniquement)
- D. Bouche de décharge murale
- E. Raccord de transition rectangulaire/rond de 3/4" x 10" à dia. 6" (8,3 x 25,4 cm à 15,2 cm)
- F. Raccord d'extension, hauteur de 3" (7,6 cm) min.

Longueur recommandée du circuit d'évacuation

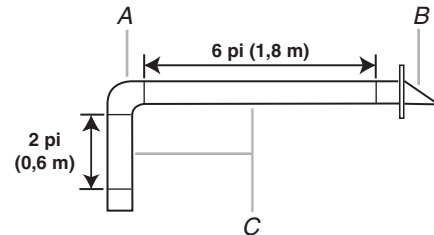
On doit utiliser un conduit rectangulaire de 3/4" x 10" (8,3 x 25,4 cm), ou un conduit rond de dia. 6" (15,2 cm).

La longueur totale du circuit d'évacuation, ceci incluant les sections de conduit rectilignes, coude(s), raccords de transition et bouche de décharge murale ou sur toit, ne doit pas dépasser l'équivalent de 140 pi (42,7 m) quel que soit le type de conduit. Voir la section "Raccords standard recommandés" pour les équivalences de longueurs.

Pour optimiser la performance, ne pas utiliser plus de trois coudes à 90°.

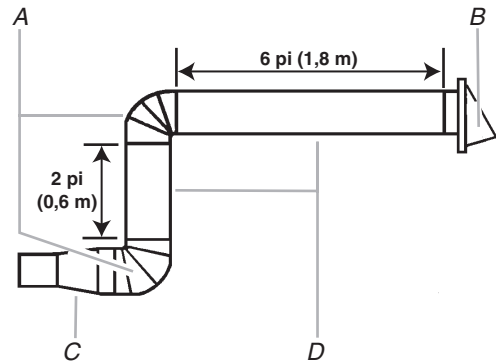
Pour calculer la longueur équivalente du système nécessaire, totaliser les valeurs de longueur équivalente pour tous les composants utilisés dans le circuit. Voir les exemples suivants :

Circuit d'évacuation de 3/4" x 10" (8,3 x 25,4 cm) = longueur totale 73 pi (22,2 m)



- A. Un coude à 90° de 3/4" x 10" (8,3 x 25,4 cm) = 25 pi (7,6 m)
- B. 1 bouche de décharge murale = 40 pi (12,2 m)
- C. Sections de conduit rectiligne de 2 pi (0,6 m) + 6 pi (1,8 m) = 8 pi (2,4 m)

Circuit d'évacuation de dia. 6" (15,2 cm) = longueur totale 73 pi (22,2 m)

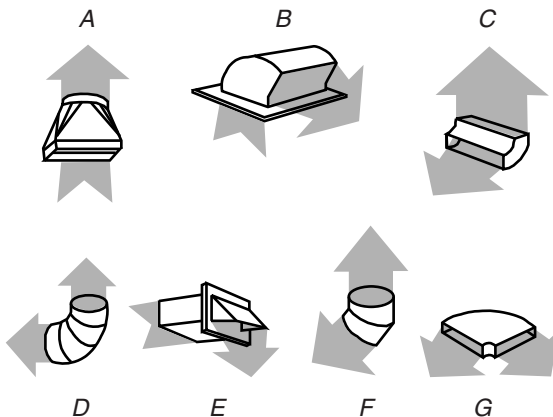


- A. Deux coudes à 90° = 20 pi (6,1 m)
- B. 1 bouche de décharge murale = 40 pi (12,2 m)
- C. 1 raccord de transition conduit rectangulaire/conduit rond = 5 pi (1,5 m)
- D. Sections de conduit rectiligne 2 pi (0,6 m) + 6 pi (1,8 m) = 8 pi (2,4 m)

Si le circuit d'évacuation existant est fait de conduit rond, on doit utiliser un raccord de transition de conduit rectangulaire à conduit rond. De plus, on devra utiliser une extension de conduit rectangulaire de 3" (7,6 cm) entre le module du clapet anti-reflux et le raccord de transition rectangulaire/rond pour éviter toute entrave à la manœuvre du clapet anti-reflux.

Raccords standard recommandés

Les longueurs équivalentes suivantes doivent être utilisées pour calculer la longueur du circuit d'évacuation. Voir les exemples dans la section "Longueur recommandée du circuit d'évacuation".



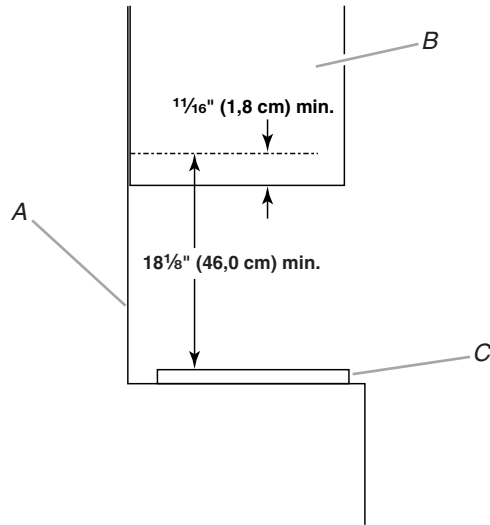
- A. Raccord de transition rectangulaire/rond : 3/4" x 10" à 6" = 5 pi (8,3 x 25,4 cm à 15,2 cm = 1,5 m)
- B. Bouche de décharge sur toit : 3/4" x 10" = 24 pi (8,3 x 25,4 cm = 7,3 m)
- C. Coude à 90° : 3/4" x 10" = 25 pi (8,3 x 25,4 cm = 7,6 m)
- D. Coude à 90° : 6" = 10 pi (15,2 cm = 3 m)
- E. Bouche de décharge murale : 3/4" x 10" = 40 pi (8,3 x 25,4 cm = 12,2 m)
- F. Coude à 45° : 6" = 5 pi (15,2 cm = 1,5 m)
- G. Coude plat à 90° : 3/4" x 10" = 10 pi (8,3 x 25,4 cm = 3 m)

INSTRUCTIONS D'INSTALLATION

Installation des supports en "L"

1. Mesurer et tracer une ligne sur chacun des placards latéraux à au moins 18¹/₈" (46,0 cm) au-dessus de la surface de la table de cuisson. Voir "Dimensions d'installation" à la section "Exigences d'emplacement".

S'assurer que chaque ligne est d'aplomb d'avant en arrière et que les lignes sont parallèles entre elles.



A. Mur arrière
B. Placard latéral
C. Surface de la table de cuisson

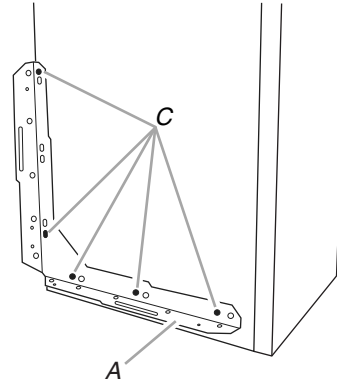
2. Maintenir le support en "L" contre le placard latéral de sorte que le bas de la baguette horizontale soit alignée avec la ligne tracée à l'étape 1, et que la baguette verticale repose contre le mur arrière.

REMARQUES :

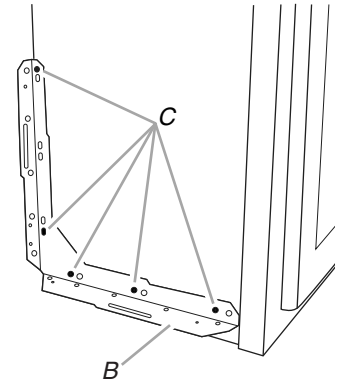
- Pour une installation dans un placard sans encadrement ou dans un placard avec encadrement en affleurement (pas de panneau avant ni de garniture saillante), positionner chaque support de sorte que la baguette étroite soit horizontale et que la baguette large repose contre le mur arrière.
- Pour une installation dans un placard avec encadrement en affleurement, positionner chaque support de sorte que la baguette large soit horizontale et que la baguette étroite repose contre le mur arrière.

3. Marquer l'emplacement de 3 trous à travers la baguette horizontale sur le placard latéral puis marquer l'emplacement de 2 trous à travers la baguette verticale sur le placard latéral, 1 au sommet et 1 en bas.

Installation dans un placard sans encadrement ou avec encadrement en affleurement



Installation dans un placard avec encadrement en affleurement

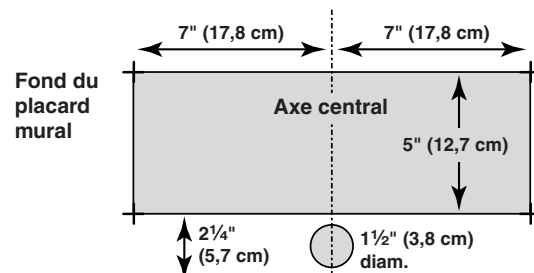


A. Baguette étroite
B. Baguette large
C. Trous de montage

4. À l'aide d'un foret de 2 mm, percer les trous marqués à l'étape 3.
5. Fixer les supports en "L" aux placards latéraux avec dix vis à bois de 16 mm - 5 vis dans chaque support en "L".

Préparation du placard mural

1. Déterminer l'emplacement de l'axe central dans l'espace d'installation. Tracer l'axe central sur la partie inférieure du fond du placard mural.
2. Mesurer et marquer l'emplacement des trous pour le passage du cordon d'alimentation et des ouvertures d'évacuation, tel qu'illustré, en s'assurant qu'ils sont bien centrés sur l'axe central.



Mur arrière

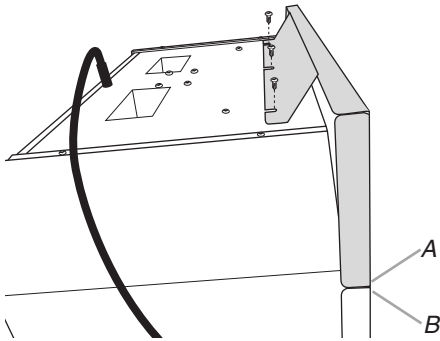
3. Percer le trou destiné au passage du cordon d'alimentation à l'aide de la cloche de 1¹/₂" (3,8 cm).
4. Percer un trou de 3/4" (19 mm) dans un coin du tracé de l'ouverture d'évacuation.
5. À l'aide d'une scie à guichet, découper la zone rectangulaire destinée au système d'évacuation.

Installation du panneau en acier inoxydable (étapes facultatives)

Si l'on choisit de recouvrir le compartiment du composant supérieur avec le panneau en acier inoxydable (non fourni), il faudra commander l'ensemble de panneau en acier inoxydable. Voir la section "Assistance" pour connaître le processus de commande.

Le panneau doit être fixé au four à micro-ondes avant l'installation.

1. Retirer les bandelettes de protection adhésives du bord inférieur du panneau et placer le panneau sur le bord supérieur de la partie avant du four à micro-ondes.



A. Bord inférieur du panneau en acier inoxydable
B. Bord supérieur de la partie avant du four à micro-ondes

2. Fixer le panneau au compartiment du composant supérieur à l'aide de 3 vis de montage.

Installation du four à micro-ondes

1. Retirer tout article de l'intérieur du four à micro-ondes.

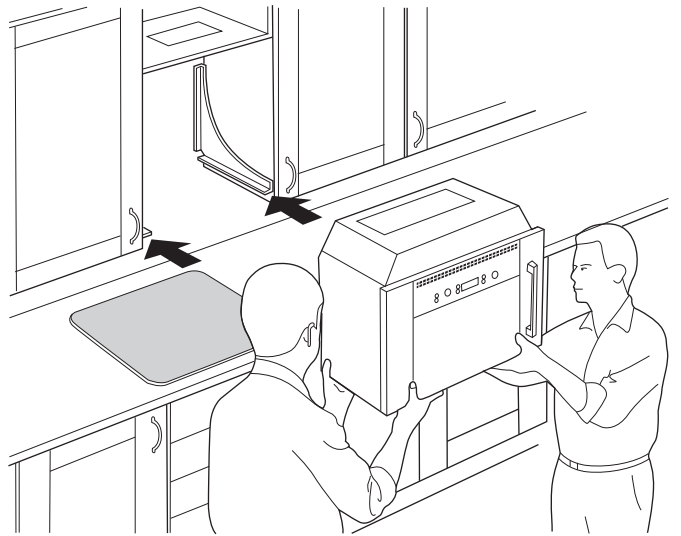
⚠ AVERTISSEMENT

Risque du poids excessif

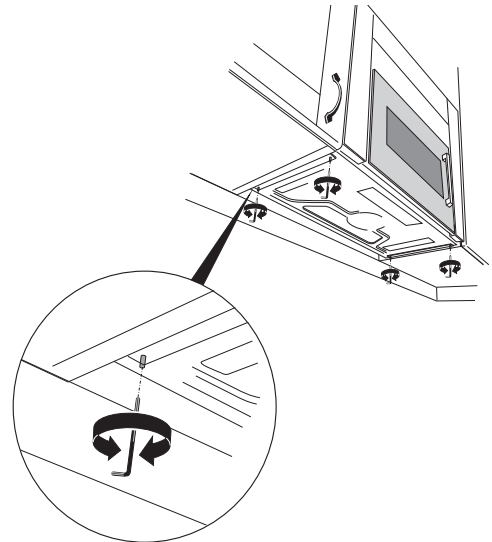
Utiliser deux ou plus de personnes pour déplacer et installer le four à micro-ondes.

Le non-respect de cette instruction peut causer une blessure au dos ou d'autre blessure.

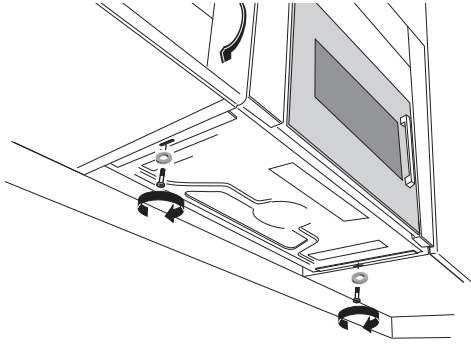
2. À l'aide d'au moins 2 personnes, soulever le four à micro-ondes et le placer sur les supports en "L". Réinsérer avec précaution le four à micro-ondes contre le mur arrière.



3. Contrôler l'aplomb du four à micro-ondes.
4. Engager les vis de nivellement dans les trous devant et derrière de la base des supports en "L" et régler l'aplomb à l'aide d'une clé à tête hexagonale si nécessaire.

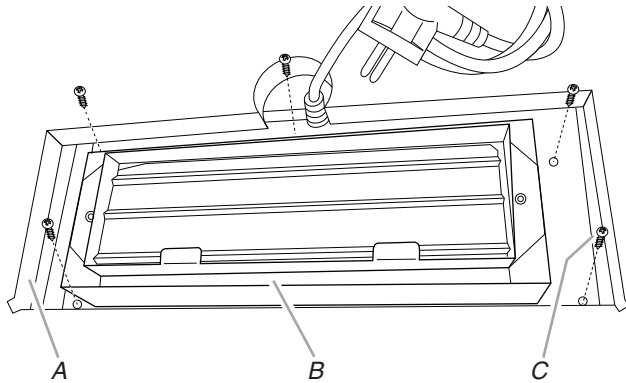


- Placer une rondelle sur chacune des vis à tête ronde de 16 mm et installer chaque vis dans l'encoche de la base du support en "L", dans le trou de montage de la partie inférieure du four à micro-ondes. Ne pas serrer excessivement.



Installation du clapet anti-retour

- Insérer le clapet anti-retour dans l'ouverture découpée dans le placard supérieur, et l'orienter de sorte que les 3 trous de montage soient tournés vers l'arrière du four à micro-ondes.



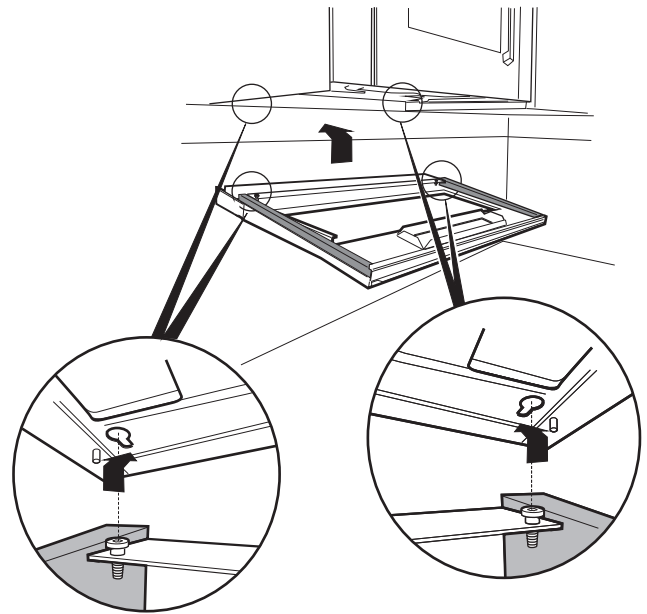
- A. Clapet anti-retour
- B. Ouverture découpée dans le placard supérieur
- C. Vis métalliques de 9,5 mm (5)

- Fixer le module du clapet anti-retour au compartiment du composant supérieur à l'aide de cinq vis métalliques de 9,5 mm.

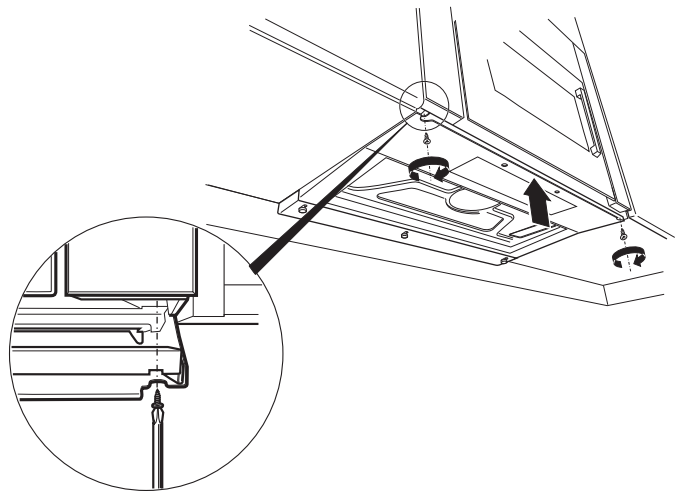
Installation de la plaque inférieure

REMARQUE : Avant de fixer la plaque inférieure, pré-tauser les trous de montage avant. (Voir l'étape 2.)

- Insérer les têtes de vis dans les fentes en trou de serrure à l'arrière de la partie inférieure du four à micro-ondes, tel qu'illustré, puis réinsérer la plaque inférieure.

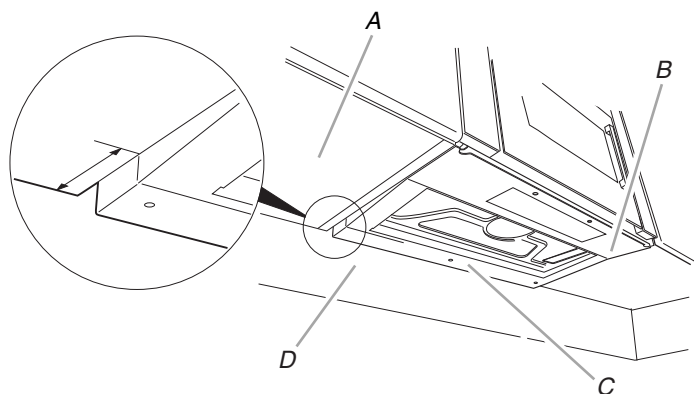


- Fixer la plaque inférieure sur la partie inférieure du four à micro-ondes en insérant deux vis métalliques de 9,5 mm dans les trous de montage avant.



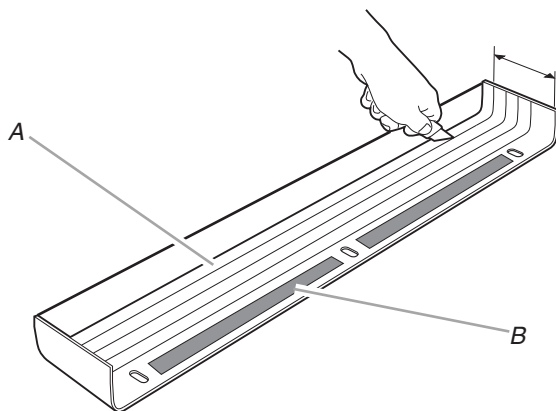
Installation de la garniture arrière

1. Mesurer la distance entre le mur arrière et le bord avant du cadre arrière de la plaque inférieure.



A. Partie inférieure du placard de gauche
 B. Plaque inférieure
 C. Cadre arrière de la plaque inférieure
 D. Mur arrière

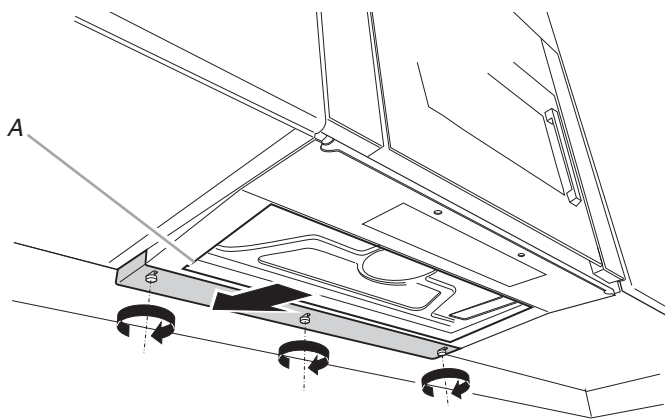
2. Couper la garniture arrière aux mêmes dimensions.



A. Garniture arrière
 B. Protection adhésive

3. Retirer les bandelettes de protection adhésives et placer la garniture arrière contre le mur arrière et la partie inférieure du four à micro-ondes.

REMARQUE : Veiller à ce que la garniture ne recouvre pas l'ouverture du filtre à graisse.

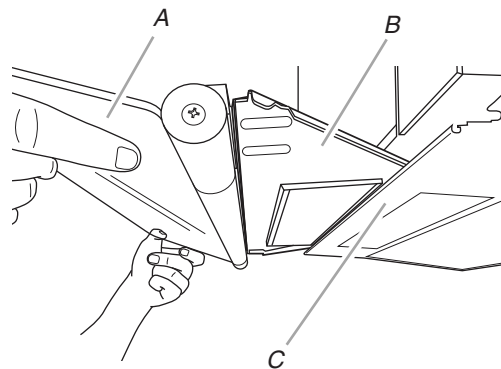


A. Ouverture du filtre à graisse

4. Fixer la garniture arrière à l'aide de trois vis métalliques de 9,5 mm.

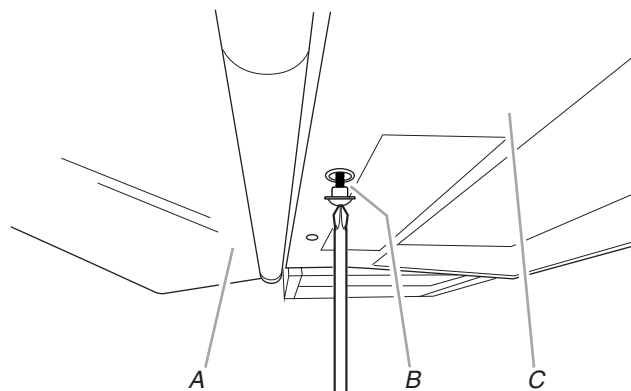
Installation de l'écran mobile

1. Ouvrir l'écran mobile et faire glisser son plateau de montage - en orientant les bords du plateau de montage vers le bas - dans l'encoche située entre la partie inférieure du four à micro-ondes et la plaque inférieure, tel qu'illustré.



A. Écran mobile
 B. Plateau de montage de l'écran mobile
 C. Plaque inférieure

2. Fixer l'écran mobile avec deux vis à épaulement de 17 mm dans sa plaque de montage, en traversant la plaque inférieure.



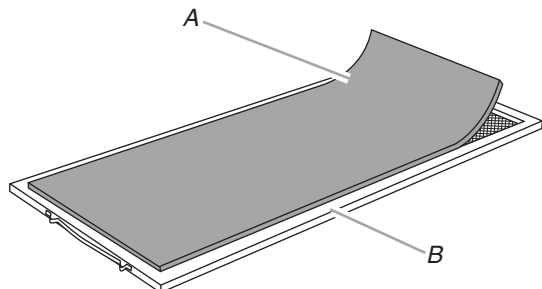
A. Écran mobile
 B. Vis à épaulement de 17 mm
 C. Plaque inférieure

Installation du filtre à charbon (pour une installation avec recyclage uniquement)

Utiliser l'ensemble de filtre à charbon. Voir la section "Assistance" pour connaître le processus de commande.

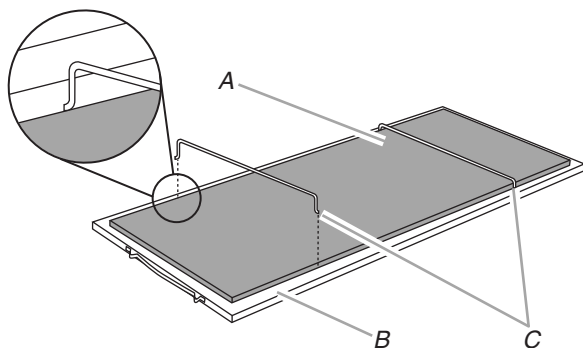
Installation du filtre à charbon :

1. Installer le filtre à charbon sur la partie interne du filtre à graisse.



A. Filtre à charbon
B. Filtre à graisse

2. Insérer les tiges métalliques pour maintenir le filtre à charbon en place.

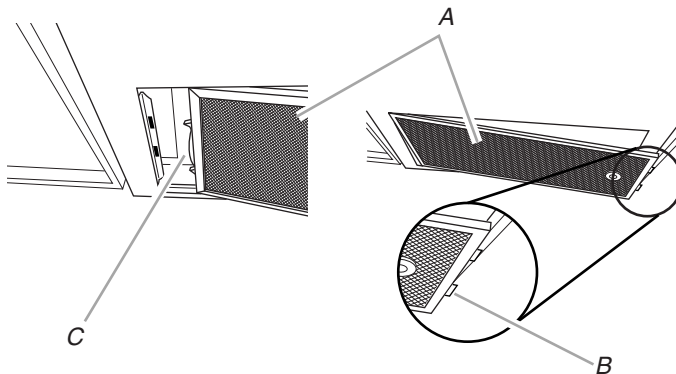


A. Filtre à charbon
B. Filtre à graisse
C. Tiges métalliques

3. Installer le filtre à graisse. Voir la section "Installation du filtre à graisse".

Installation du filtre à graisse

1. Placer le côté du filtre à graisse qui comporte les languettes dans un côté de l'ouverture de la plaque inférieure, pousser ce côté dans l'ouverture et redresser le côté du filtre à graisse qui comporte les onglets.



A. Filtre à graisse
B. Pattes
C. Languette

2. Enfoncer le côté du filtre à graisse qui comporte les languettes vers le haut, jusqu'à ce que les languettes soient insérées dans l'ouverture, puis relâcher le filtre.

Achever l'installation

1. Raccorder tous les raccords d'évacuation nécessaires pour l'installation choisie (évacuation par le toit, par le mur ou recyclage). Voir la section "Exigences concernant l'évacuation".
2. Installation du support du plateau rotatif et du plateau rotatif lui-même.

⚠ AVERTISSEMENT



Risque de choc électrique

Brancher sur une prise à 3 alvéoles reliée à la terre.

Ne pas enlever la broche de liaison à la terre.

Ne pas utiliser un adaptateur.

Ne pas utiliser un câble de rallonge.

Le non-respect de ces instructions peut causer un décès, un incendie ou un choc électrique.

3. Brancher le four à micro-ondes sur une prise à trois alvéoles reliée à la terre.
4. Contrôler le fonctionnement du four à micro-ondes : placer sur le plateau rotatif 1 tasse (250 mL) d'eau, et programmer une période de cuisson de 1 minute à la puissance maximale. Faire fonctionner le ventilateur pour tester son fonctionnement ainsi que celui de la bouche d'évacuation.
5. Si le four à micro-ondes ne fonctionne pas :
 - Déterminer si un fusible est grillé ou si un disjoncteur s'est déclenché. Remplacer le fusible ou réenclencher le disjoncteur. Si le problème persiste, appeler un électricien.
 - Vérifier que le cordon d'alimentation est correctement branché sur une prise de courant à 3 alvéoles reliée à la terre.
 - Pour des questions de dépannage, consulter les Instructions d'utilisation.

L'installation est maintenant terminée.

Conserver les instructions d'installation pour une éventuelle réutilisation future.

REMARQUE : Une fois l'installation terminée, le compartiment du composant supérieur du four à micro-ondes restera apparent (figure 1).

On peut utiliser l'ensemble de panneau en acier inoxydable pour recouvrir le compartiment (figure 1A). Voir la section "Assistance" pour connaître le processus de commande.

On peut aussi utiliser un placard personnalisé pour recouvrir le compartiment (figure 1B). Consulter le fournisseur/l'installateur de placards.

Figure 1

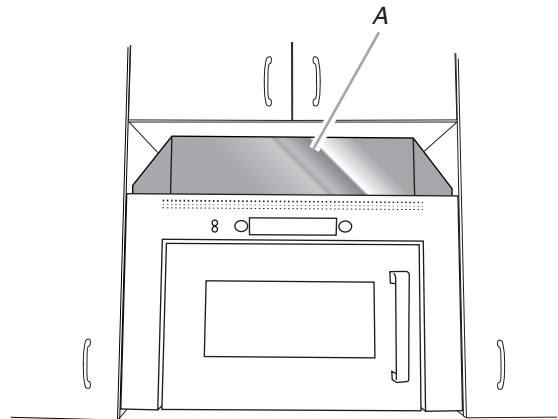


Figure 1A

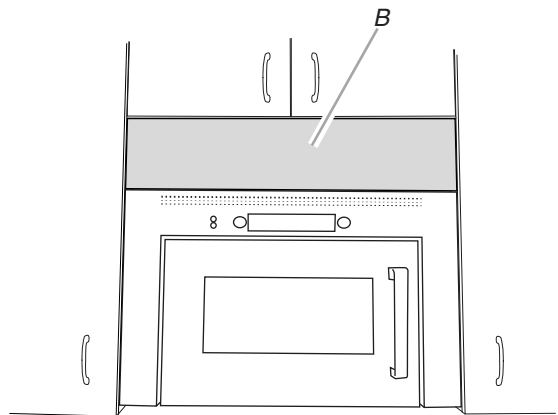
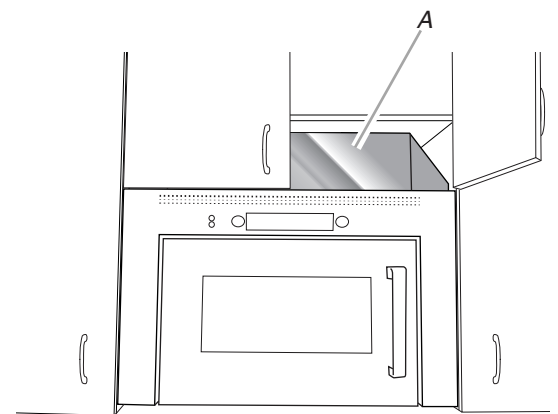


Figure 1B



A. Compartiment du composant supérieur
B. Panneau en acier inoxydable

ASSISTANCE

Appeler le marchand local autorisé ou le centre de service agréé. Lors de l'appel, vous aurez besoin des numéros de modèle et de série du four à micro-ondes. Les deux numéros peuvent être trouvés sur la plaque signalétique située derrière la porte du four à micro-ondes, sur le châssis avant du four à micro-ondes.

Si une assistance supplémentaire est nécessaire, composer le numéro sans frais ou consulter notre site Web indiqué dans le Guide d'utilisation et d'entretien.

Pièces de rechange

S'il est nécessaire de remplacer n'importe quel élément du matériel d'installation, contactez-nous au numéro sans frais indiqué dans les Instructions d'utilisation.

Vous trouverez ci-après une liste des pièces de rechange disponibles. Vous aurez besoin du numéro de modèle situé sur la partie avant face à l'ouverture du four à micro-ondes, derrière la porte.

- Module du clapet anti-reflux
- Écran portable
- Garniture arrière
- Ensemble de vis de montage (incluant les pièces G-M présentées à la section "Pièces fournies" à la section "Outils et pièces")
- Supports en "L"

Ensembles

Les ensembles suivants ne sont pas fournis mais ils peuvent être commandés.

- L'ensemble de filtre à charbon (pièce numéro W10610033) comprend :
 - 1 filtre à charbon
 - 2 tiges métalliques
- L'ensemble de panneau en acier inoxydable (pièce numéro W11170104) comprend :
 - 1 panneau en acier inoxydable
 - 3 vis de montage
 - 1 Instruction d'installation

Notes

