



# Drawer Dishwasher

## PRODUCT MODEL NUMBERS

MDD8000AW

## ELECTRICAL REQUIREMENTS

Contact a qualified electrician.

Ensure that the electrical installation is adequate and in conformance with all national and local codes and ordinances.

You must have:

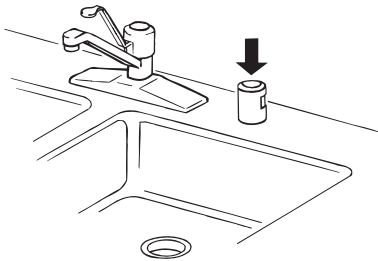
- 120-volt, 60 Hz, AC-only, 15- or 20- amp fused electrical supply.
- Copper wire only.

We recommend:

- A time-delay fuse or circuit breaker.
- A separate circuit.

## DRAIN REQUIREMENTS

- Use the new drain hose supplied with your dishwasher. If this is not long enough, use a new drain hose with maximum length of 12 ft (3.7 m) that meets all current AHAM/IAPMO test standards, is resistant to heat and detergent, and fits the 1" (2.5 cm) drain connector of the dishwasher.
- Connect drain hose to waste tee or disposer inlet above drain trap in house plumbing and 20" (50.8 cm) minimum above the floor. It is recommended that the drain hose either be looped up and securely fastened to the underside of the counter, or be connected to an air gap.



- Use a drain air gap if the drain hose is connected to house plumbing lower than 20" (50.8 cm) above the subfloor or floor.
- Use 1/2" (1.3 cm) minimum I.D. drain line fittings.

## WATER SUPPLY REQUIREMENTS

- A hot water line with 20-120 psi (138-862 kPa) water pressure.
- 120°F (49°C) water temperature at dishwasher.
- Flexible braided fill line (1/2" minimum plastic tubing is not recommended).

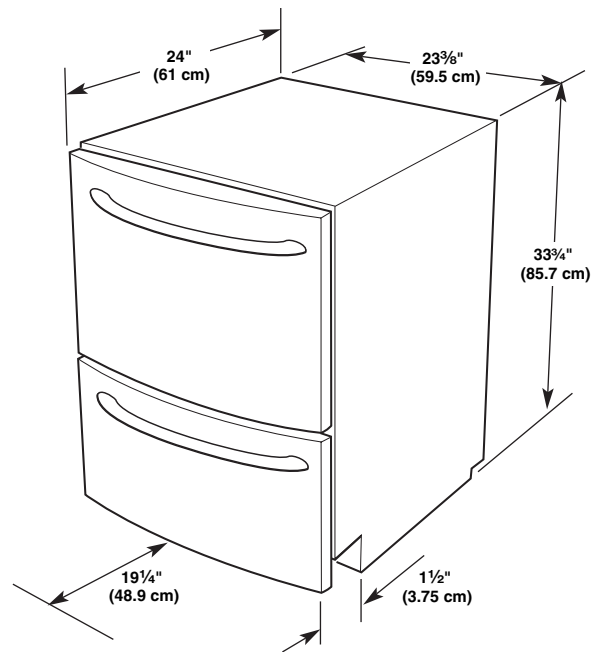
## LOCATION REQUIREMENTS

**IMPORTANT:** Observe all governing codes and ordinances. Failure to meet codes and ordinances could lead to fire or electrical shock.

Proper installation is your responsibility.

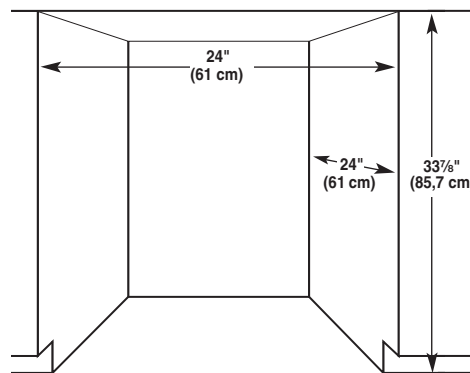
- Contact a qualified installer to ensure that the dishwasher is installed to meet all electrical and plumbing national and local codes and ordinances.
- Install the dishwasher as specified in these instructions.
- Have everything you need to properly install dishwasher.
- Keep the dishwasher and water lines leading to dishwasher from freezing. Damage from freezing is not covered by the warranty.
- This dishwasher is manufactured for indoor use only.
- Install and level dishwasher on a floor that will hold the weight, and in an area suitable for its size and use.

## PRODUCT DIMENSIONS



## INSTALLATION CLEARANCES

### Cutout dimensions



### Preferred utility area

