

MICROWAVE OVEN HOOD COMBINATION OWNER'S MANUAL

MANUEL DE L'UTILISATEUR DE L'ENSEMBLE FOUR À MICRO-ONDES/HOTTE

Table of Contents/Table des matières

MICROWAVE OVEN SAFETY	2	SÉCURITÉ DU FOUR À MICRO-ONDES	23
Microwave Oven Safety	2	Sécurité du four à micro-ondes	23
MICROWAVE OVEN MAINTENANCE AND CARE	4	ENTRETIEN ET RÉPARATION DU FOUR À MICRO-ONDES	25
General Cleaning.....	4	Nettoyage général.....	25
INSTALLATION INSTRUCTIONS	4	INSTRUCTIONS D'INSTALLATION	25
REQUIREMENTS	4	SPÉCIFICATIONS	25
Tools and Parts	4	Outils et Pièces	25
Location Requirements	6	Exigences d'emplacement	27
Product Dimensions	6	Dimensions du produit	27
Installation Dimensions	7	Dimensions d'installation	28
Electrical Requirements	7	Spécifications électriques	29
INSTALLATION	8	INSTALLATION	29
Prepare Microwave Oven Hood Combination.....	8	Préparation de l'ensemble four à micro-ondes/hotte	29
Installation Types	8	Type d'installation	30
Find the Cardboard Plate.....	9	Trouver la plaque de carton.....	30
Find the Wall Stud(s)	9	Trouver les montants de cloison	30
Find the Flush Point.....	10	Trouver le point d'affleurement.....	32
Mark Upper Cabinet	11	Tracer sur l'armoire supérieure	33
Mark Rear Wall.....	12	Marque sur le mur arrière	34
Drill holes in Upper Cabinet.....	13	Percer les trous dans l'armoire supérieure.....	35
Drill holes in Rear Wall	14	Perçage de trous dans le mur arrière.....	36
Attach Mounting Plate to Wall	14	Fixation de la plaque de montage au mur	37
Rotate Blower Motor	15	Réorientation du moteur du ventilateur	38
Install Damper Assembly.....	18	Installation du clapet antiretour	41
Install the Microwave Oven	19	Installation du four à micro-ondes	42
Complete Installation	20	Achever l'installation.....	43
VENTING DESIGN SPECIFICATIONS	21	SPÉCIFICATION DE LA CONCEPTION DU CIRCUIT D'ÉVACUATION	44
Venting Design Specifications.....	21	Spécification de la conception du circuit d'évacuation	44

IMPORTANT:

Save for local electrical inspector's use.

IMPORTANT :

À conserver pour consultation par l'inspecteur local des installations électriques.



W11519157A

MICROWAVE OVEN SAFETY

Your safety and the safety of others are very important.

We have provided many important safety messages in this manual and on your appliance. Always read and obey all safety messages.



This is the safety alert symbol.

This symbol alerts you to potential hazards that can kill or hurt you and others.

All safety messages will follow the safety alert symbol and either the word "DANGER" or "WARNING." These words mean:

▲ DANGER

You can be killed or seriously injured if you don't immediately follow instructions.

▲ WARNING

You can be killed or seriously injured if you don't follow instructions.

All safety messages will tell you what the potential hazard is, tell you how to reduce the chance of injury, and tell you what can happen if the instructions are not followed.

IMPORTANT SAFETY INSTRUCTIONS

When using electrical appliances basic safety precautions should be followed, including the following:

WARNING: To reduce the risk of burns, electric shock, fire, injury to persons, or exposure to excessive microwave energy:

- Read all instructions before using the appliance.
- Read and follow the specific "PRECAUTIONS TO AVOID POSSIBLE EXPOSURE TO EXCESSIVE MICROWAVE ENERGY" found in this manual.
- This appliance must be grounded. Connect only to properly grounded outlet. See "GROUNDING INSTRUCTIONS" found in this section.
- Install or locate this appliance only in accordance with the provided Installation Instructions.
- Some products such as whole eggs and sealed containers - for example, closed glass jars - are able to explode and should not be heated in this oven.
- Use this appliance only for its intended use as described in the manual. Do not use corrosive chemicals or vapors in this appliance. This type of oven is specifically designed to heat, cook, or dry food. It is not designed for industrial or laboratory use.
- As with any appliance, close supervision is necessary when used by children.
- Do not operate this appliance if it has a damaged cord or plug, if it is not working properly, or if it has been damaged or dropped.
- This appliance should be serviced only by qualified service personnel. Contact nearest authorized service facility for examination, repair, or adjustment.
- Do not cover or block any openings on the appliance.
- Do not store this appliance outdoors. Do not use this product near water – for example, near a kitchen sink, in a wet basement, near a swimming pool, or similar locations.
- Do not immerse cord or plug in water.
- Keep cord away from heated surfaces.
- Do not let cord hang over edge of table or counter.
- Do not use replacement parts that have not been recommended by the manufacturer (e.g. parts made at home using a 3D printer).
- See door surface cleaning instructions in the "Microwave Oven Maintenance and Care" section.
- Liquids, such as water, coffee, or tea are able to be overheated beyond the boiling point without appearing to be boiling. Visible bubbling or boiling when the container is removed from the microwave oven is not always present. THIS COULD RESULT IN VERY HOT LIQUIDS SUDDENLY BOILING OVER WHEN THE CONTAINER IS DISTURBED OR A UTENSIL IS INSERTED INTO THE LIQUID.
- Do not operate any heating or cooking appliance beneath this appliance.
- Do not mount unit over or near any portion of a heating or cooking appliance.
- Do not mount over a sink.
- Do not store anything directly on top of the appliance surface when the appliance is in operation.
- Clean Ventilating Hoods Frequently - Grease should not be allowed to accumulate on hood or filter.
- When flaming foods under the hood, turn the fan on.
- Suitable for use above both gas and electric cooking equipment.
- Intended to be used above ranges with maximum width of 36" (91.44 cm).

SAVE THESE INSTRUCTIONS

IMPORTANT SAFETY INSTRUCTIONS

When using electrical appliances basic safety precautions should be followed, including the following:

WARNING: To reduce the risk of burns, electric shock, fire, injury to persons, or exposure to excessive microwave energy:

- Use care when cleaning the vent-hood filter. Corrosive cleaning agents, such as lye-based oven cleaners, may damage the filter.
- To reduce the risk of fire in the oven cavity:
 - Do not overcook food. Carefully attend appliance when paper, plastic, or other combustible materials are placed inside the oven to facilitate cooking.
 - Remove wire twist-ties from paper or plastic bags before placing bag in oven.
 - If materials inside the oven ignite, keep oven door closed, turn oven off, and disconnect the power cord, or shut off power at the fuse or circuit breaker panel.
 - Do not use the cavity for storage purposes. Do not leave paper products, cooking utensils, or food in the cavity when not in use.

SAVE THESE INSTRUCTIONS

PRECAUTIONS TO AVOID POSSIBLE EXPOSURE TO EXCESSIVE MICROWAVE ENERGY

- (a) Do not attempt to operate this oven with the door open since open-door operation can result in harmful exposure to microwave energy. It is important not to defeat or tamper with the safety interlocks.
- (b) Do not place any object between the oven front face and the door or allow soil or cleaner residue to accumulate on sealing surfaces.
- (c) Do not operate the oven if it is damaged. It is particularly important that the oven door close properly and that there is no damage to the:
 - (1) Door (bent),
 - (2) Hinges and latches (broken or loosened),
 - (3) Door seals and sealing surfaces
- (d) The oven should not be adjusted or repaired by anyone except properly qualified service personnel.

MICROWAVE OVEN MAINTENANCE AND CARE

General Cleaning

IMPORTANT: Before cleaning, make sure all controls are off and the microwave oven is cool. Always follow label instructions on cleaning products.

Soap, water, and a soft cloth or sponge are suggested first, unless otherwise noted.

STAINLESS STEEL AND BLACK STAINLESS STEEL (on some models)

NOTE: To avoid damage to stainless steel surfaces, do not use soap-filled scouring pads, abrasive cleaners, Cooktop Cleaner, steel-wool pads, gritty washcloths, or abrasive paper towels. Damage may occur to stainless steel surfaces, even with one-time or limited use.

Rub in direction of grain to avoid damaging.

Cleaning Method:

- Affresh®† Stainless Steel Cleaners Part Number W10355016 (not included) or affresh® Stainless Steel Cleaning Wipes Part Number W1055049 (not included):
See the Quick Start Guide for ordering information.
- Vinegar for hard water spots.

MICROWAVE OVEN DOOR EXTERIOR

Cleaning Method:

- Glass cleaner and a soft cloth or sponge: Apply glass cleaner to soft cloth or sponge, not directly on panel.
- Affresh® Kitchen Appliance Cleaners Part Number W10355010 (not included): See “Online Ordering Information” section from Quick Start Guide to order.

NONSTICK CAVITY COATING (on some models)

To avoid damage to the microwave oven cavity, do not use metal or sharp utensils or scrapers or any type of abrasive cleanser or scrubbers.

MICROWAVE OVEN CAVITY

To avoid damage to the microwave oven cavity, do not use soap-filled scouring pads, abrasive cleaners, steel-wool pads, gritty washcloths, or some paper towels.

On stainless steel models, rub in direction of grain to avoid damaging.

The area where the microwave oven door and frame touch when closed should be kept clean.

Cleaning Method:

Average soil

- Mild, nonabrasive soaps and detergents:
Rinse with clean water and dry with soft, lint-free cloth.

Heavy soil

- Mild, nonabrasive soaps and detergents:
Heat 1 cup (250 mL) of water for 2 to 5 minutes in microwave oven. Steam will soften soil. Rinse with clean water and dry with soft, lint-free cloth.

Odors

- Lemon juice or vinegar:
Heat 1 cup (250 mL) of water with 1 tbs (15 mL) of either lemon juice or vinegar for 2 to 5 minutes in microwave oven.

GREASE FILTERS

- Mild cleanser and scouring pad
- Dishwasher

INSTALLATION INSTRUCTIONS REQUIREMENTS

Tools and Parts

Tools Needed


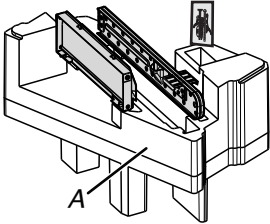

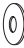






- Measuring tape
- Pencil
- Scissors
- Masking tape or thumbtacks
- Drill
- No. 2 Phillips screwdriver
- Stud finder
- No. 3 Phillips screwdriver for 1/4 - 20 x 3" (76 mm) bolts
- 3/16" (5 mm), 3/8" (10 mm), 5/8" (16 mm) drill bits
- 3/4" (19 mm) hole saw
- Keyhole saw
- Diagonal wire cutting pliers
- 7/16" (11 mm) socket wrench (or box wrench) for 1/4" x 2" (6.4 mm x 51 mm) lag screws
- 1 1/2" (38 mm) diameter hole drill bit for wood or metal cabinet
- Caulking gun and weatherproof caulking compound
- Duct tape.


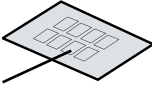
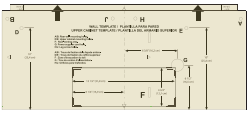
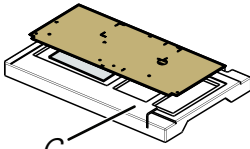
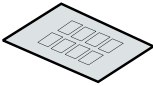
Materials Needed

- Standard fittings for wall or roof venting. See the “Venting Design Specifications” section.

†affresh is a registered trademark of Whirlpool, U.S.A.

Parts Supplied

Part	Drawing	Description	Qty	Where can find?
Screw Pack		3/16-24 x 3" round-head bolts	2	 A. Inner Form in the cavity
		1/4-20 x 3" flat-head bolts	2	
		Washers	2	
		3/16" toggle nuts	2	
		1/4" x 2" lag screws	4	
		#6 x 3/8" Sheet metal screws	2	
		Power supply cord bushing	1	
Damper		Damper for wall or roof venting	1	
Mounting Plate		Folded mounting plate, unfold before installation	1	

Spacer		Spacer (L*W*T: 40*10*1.6 mm)	8	 B. Inside the Literature pack
Cardboard Plate		Upper cabinet template and Wall template	1	 C. Outer Form in the Carton
Literature Pack		Literature	1	

Check local codes. Check existing electrical supply. See "Electrical Requirements".

It is recommended that all electrical connections be made by a licensed, qualified electrical installer.

NOTE:

- The hardware items listed here are for wood studs. For other types of wall structures, be sure to use appropriate fasteners.
- Be sure to purchase only Whirlpool factory-certified parts and accessories for your appliance. Your installation may require additional parts. To order, see the "Online Ordering Information" section of the Quick Start Guide.

Location Requirements

Check the opening where the microwave oven will be installed. The location must provide:

- Minimum installation dimensions. See the "Installation Dimensions" illustration.
- Minimum one 2" x 4" (5.1 x 10.2 cm) wood wall stud and minimum 3/8" (1 cm) thickness drywall or plaster/lath within cabinet opening.
- Support for weight of 150 lbs (68 kg) which includes microwave oven and items placed inside the microwave oven and upper cabinet.
- Grounded electrical outlet inside upper cabinet. See the "Electrical Requirements" section.

NOTE:

- Some models have a pocket handle. If installing the microwave near a right side wall, make sure there is at least 3" (7.6 cm) of clearance between wall and microwave oven so you can grab the handle integrated inside the door.
- Some cabinet and building materials are not designed to withstand the heat produced by the microwave oven for cooking. Check with your builder or cabinet supplier to make sure that the materials used will not discolor, delaminate, or sustain other damages.

Special Requirements

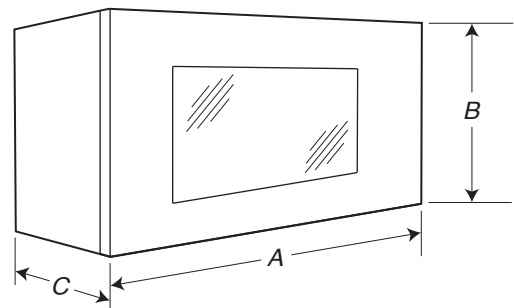
For Wall Venting Installation Only:

- Cutout must be free of any obstructions so that the vent fit properly and the damper blade opens freely and fully.

For Roof Venting Installation Only:

- If you are using a rectangular-to-round transition piece, the 3" (7.6 cm) clearance needs to exist above the microwave oven so that the damper blade can open freely and fully. See "Rectangular to Round Transition" illustration in the "Venting Design Specifications" section.

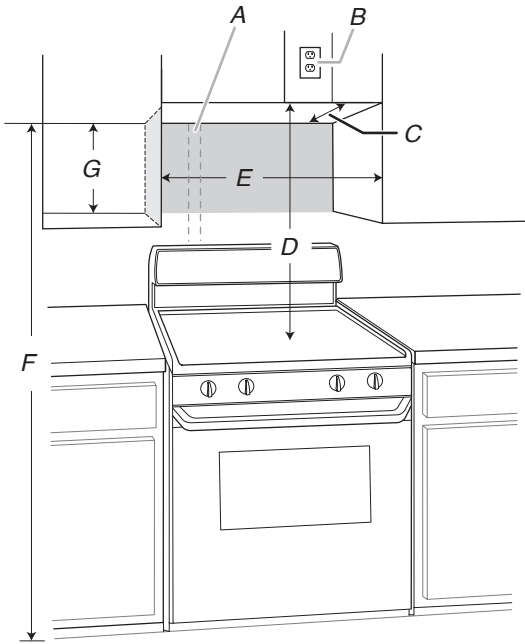
Product Dimensions



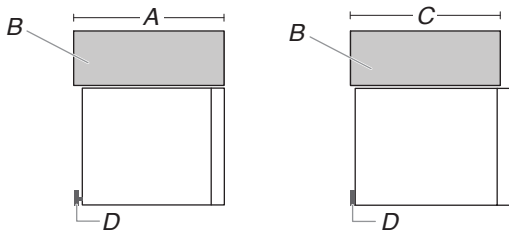
- A. 29⁷/₈" (76.1 cm)
- B. 17⁷/₈" (45.4 cm)
- C. 12¹/₈" (31.3 cm)

Installation Dimensions

NOTE: The grounded 3 prong outlet must be inside the upper cabinet. See the "Electrical Requirements" section.



- A. 2" x 4" (5.1 cm x 10.2 cm) wall stud
- B. Grounded 3 prong outlet
- C. Upper cabinet depth (with door)***
- D. 36" (91.4 cm) recommended*
30" (76.2 cm) typical**
- E. 30" (76.2 cm) minimum
- F. 72" (182.8 cm) recommended
66" (167.6 cm) minimum
- G. Flat back surface 18 1/4" (46.3 cm) minimum



- A. (Flush) 12 3/4" to 13" (32.3 cm to 33 cm) deep
- B. Cabinet
- C. Less than 12 3/4" (32.3 cm) deep
- D. Mounting plate

Exact dimensions may vary depending on type of range/cooktop below.

*36" (91.4 cm) is recommended for 72" (182.8 cm) installation height.

**30" (76.2 cm) is typical for 66" (167.6 cm) installation height.

***Measure from the back wall to where the front bottom surface of the microwave oven needs to be (Dimension A).

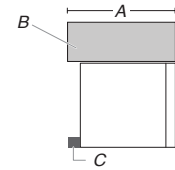
Using the mounting plate provided with the product:

For cabinet depths less than 12.75" (32 cm), the microwave oven may protrude from the cabinet (and the front edge of the Template should protrude the same amount when marking the mounting holes to be drilled in the upper cabinet).

For 12.75" (32 cm) to 13" (33 cm) cabinets, the microwave oven is flush to the cabinet.

NOTE: It may be necessary to use a number of the washers provided as spacers, between the mounting plate and the wall, to achieve a more 'Flush' appearance.

If cabinets are deeper than 13" (33 cm), and up to 16" (40.6 cm), use the bump out mounting kit, replacing the mounting plate supplied with the product. The bump out mounting kit (part#- W11630300) is not provided.



- A. (Bump out) 13" to 16" (33 cm to 40.6 cm) deep
- B. Cabinet
- C. Bump out mounting bracket

To order, see the "Online Ordering Information" section of the Quick Start Guide.

For cabinets with other dimension's, we suggest selecting other Whirlpool Products.

Electrical Requirements

⚠ WARNING

Electrical Shock Hazard

Plug into a grounded 3 prong outlet.

Do not remove ground prong.

Do not use an adapter.

Do not use an extension cord.

Failure to follow these instructions can result in death, fire, or electrical shock.

Observe all governing codes and ordinances.

Required:

- A 120 V, 60 Hz AC only, 15 or 20 A electrical supply with a fuse or circuit breaker

Recommended:

- A time-delay fuse or time-delay circuit breaker
- A separate circuit serving only this microwave oven

GROUNDING INSTRUCTIONS

For a grounded, cord-connected appliance:

This appliance must be grounded. In the event of a malfunction or breakdown, grounding will reduce the risk of electric shock by providing a path of least resistance for electric current. This appliance is equipped with a cord having an equipment-grounding conductor and a grounding plug. The plug must be plugged into an appropriate outlet that is properly installed and grounded in accordance with all local codes and ordinances.

WARNING: Improper connection of the equipment-grounding conductor can result in a risk of electric shock. Check with a qualified electrician or serviceman if you are in doubt as to whether the appliance is properly grounded. Do not modify the plug provided with the appliance: if it will not fit the outlet, have a proper outlet installed by a qualified electrician.

SAVE THESE INSTRUCTIONS

This device complies with Industry Canada ICES-001.

INSTALLATION

Prepare Microwave Oven Hood Combination

⚠WARNING

Excessive Weight Hazard

Use two or more people to move and install or uninstall appliance.

Failure to do so can result in back or other injury.

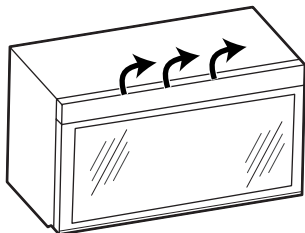
1. To avoid possible damage to the work surface, cover the work surface.
2. Remove cardboard plate from the outer foam in the carton. It is for upper-cabinet and wall installation.
3. Remove the screw pack from the inner foam in the cavity.
4. Remove the damper from the inner foam in the cavity.
5. Remove the literature pack from the outer foam in the carton.
6. Remove shipping materials, tape and film from microwave.
7. Remove the mounting plate from the inner foam in the cavity.
8. Tape the microwave oven door closed so that the door does not swing open while the microwave oven is being handled.

NOTE: To avoid damage to the microwave oven, do not grip or use the door or door handle while the microwave oven is being handled.

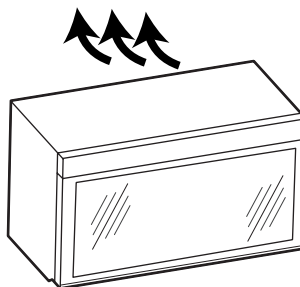
Installation Types

This microwave oven is designed for adaptation to the following three types of ventilation, choose one type before installation.

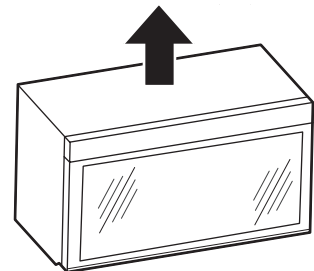
Recirculation
(Factory Default Setting)



Wall Venting

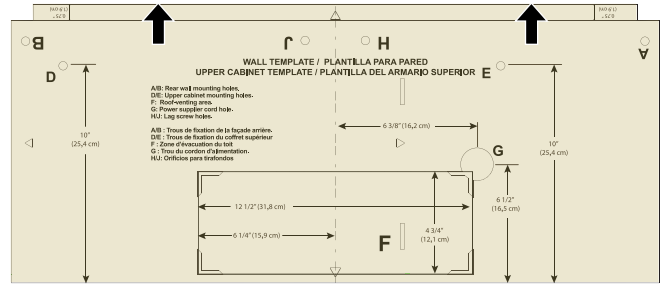


Roof Venting



Find the Cardboard Plate

The cardboard plate is used as wall template and upper-cabinet template. It is located on the outer foam in the carton. Find it before installation.



Find the Wall Stud(s)

NOTE: If no wall studs exist within the cabinet opening, do not install the microwave oven.

See illustrations in “Possible Wall Stud Configurations.”

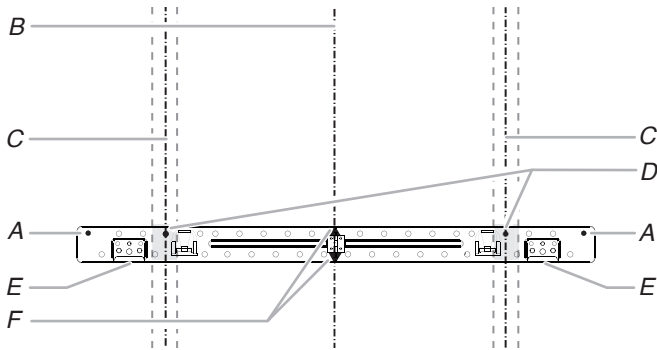
1. Using a stud finder, locate the edges of the wall stud(s) within the opening.
2. Mark the center of each stud, and draw a plumb line down each stud center. See illustrations in “Possible Wall Stud Configurations.”

Possible Wall Stud Configurations

These depictions show examples of preferred installation configurations with the mounting plate.

No Wall Studs at End Holes

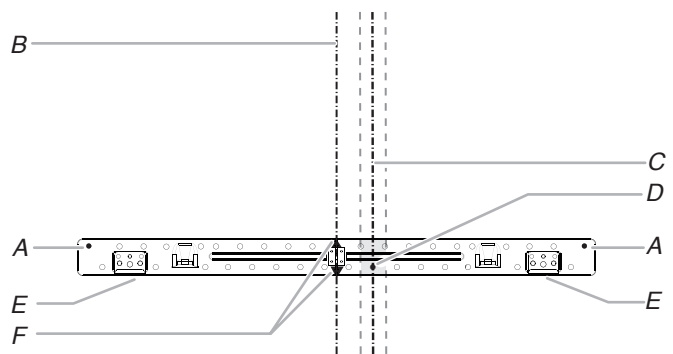
Figure 1



- | | |
|--|----------------------------------|
| A. End holes (on mounting plate) | D. Holes for lag screws |
| B. Cabinet opening vertical centerline | E. Support tabs |
| C. Wall stud centerlines | F. Mounting plate center markers |

No Wall Studs at End Holes

Figure 2

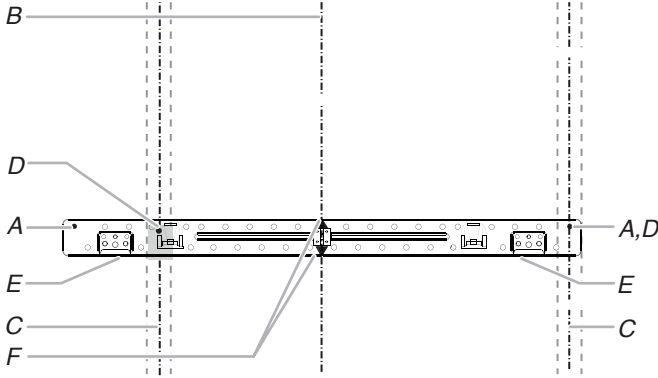


NOTE: If wall stud is within 6" (15.2 cm) of the vertical centerline, only recirculation or roof venting installation can be done.

- | | |
|--|----------------------------------|
| A. End holes (on mounting plate) | D. Holes for lag screws |
| B. Cabinet opening vertical centerline | E. Support tabs |
| C. Wall stud centerlines | F. Mounting plate center markers |

Wall Stud at End Holes

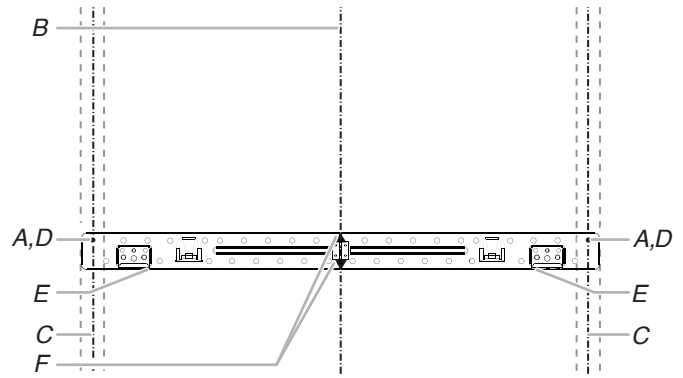
Figure 3



- A. End holes (on mounting plate)
- B. Cabinet opening vertical centerline
- C. Wall stud centerlines
- D. Holes for lag screws
- E. Support tabs
- F. Mounting plate center markers

Wall Stud at End Holes

Figure 4

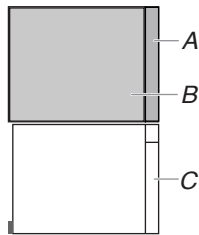


- A. End holes (on mounting plate)
- B. Cabinet opening vertical centerline
- C. Wall stud centerlines
- D. Holes for lag screws
- E. Support tabs
- F. Mounting plate center markers

Find the Flush Point

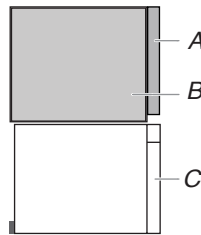
This product is designed to be flush with the cabinet, and the flush point should be found before installation. Don't install with the front of the microwave oven located behind the front of the cabinet/door.

Flush to Cabinet door



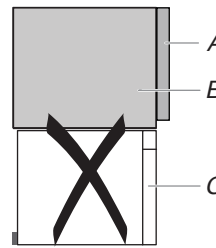
- A. Cabinet door
- B. Cabinet
- C. Microwave oven door

Flush to Cabinet door



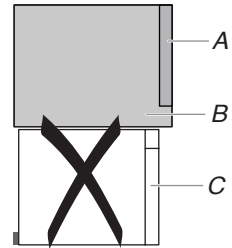
- A. Cabinet door
- B. Cabinet
- C. Microwave oven door

Don't install with the front of the microwave oven located behind the front of the cabinet/door.



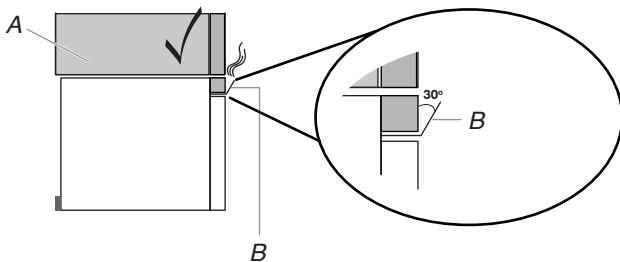
- A. Cabinet door
- B. Cabinet
- C. Microwave oven door

Don't install with the front of the microwave oven located behind the front of the cabinet/door.

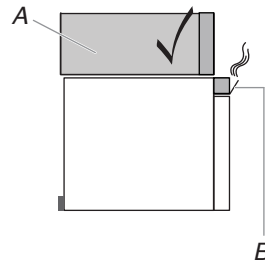


- A. Cabinet door
- B. Cabinet
- C. Microwave oven door

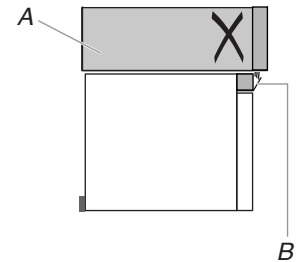
NOTE: The grille baffle will automatically open 30 degrees when the microwave oven uses the ventilation & cooking function. Do not install the microwave oven with the grille baffle behind the front of the cabinet/door otherwise it will block the air outlet.



- A. Cabinet
- B. Grille baffle

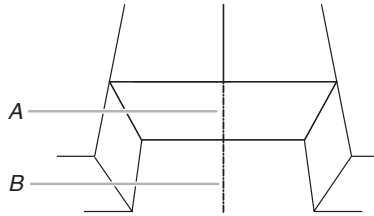


- A. Cabinet
- B. Grille baffle



Mark Upper Cabinet

- Using a tape, measure clearly and mark the vertical centerline of the opening. Make sure it aligns with the vertical wall centerline.



A. Upper Cabinet Centerline
B. Wall Centerline

NOTE: The cardboard plate is used for installation in cabinets with depth of 12" to 13", (30.4 cm to 33.02 cm) but need some adjustment for different depths.

If cabinets are deeper than 13" (33 cm), and up to 16" (40.6 cm), use the bump out mounting kit, replacing the mounting plate supplied with the product. The bump out mounting kit (part#- W11630300) is not provided.

To order, see the "Online Ordering Information" section of the Quick Start Guide.

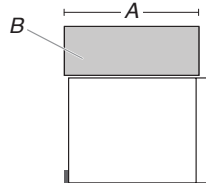
See the following steps 2, 3.

If your cabinet is 12" to 12³/₄" (30.5 cm to 32.4 cm) depth, follow the step 3:

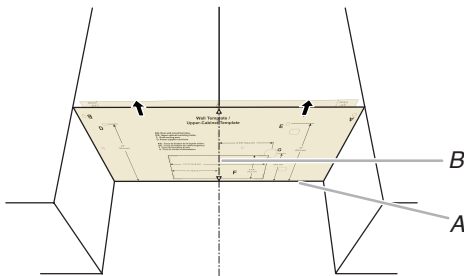
- Place the cardboard plate against the bottom of the upper cabinet.

NOTES:

- Make sure the back edge of the cardboard plate aligns with the wall and back edge of upper cabinet.
- Make sure the center marks on the cardboard plate align with the upper cabinet centerline which draw in step 1.
- Make sure the arrow on the cardboard plate are facing out.



A. Less than 12³/₄" (32.4 cm) deep
B. Cabinet



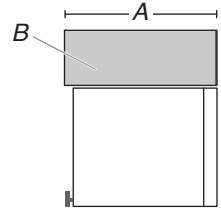
A. Back Edge of Cardboard Plate & Back Edge of Upper Cabinet
B. Upper Cabinet Centerline & Center Marks on Cardboard Plate

If your cabinet depth is 12³/₄" to 13" (32.4 cm to 33 cm) depth:

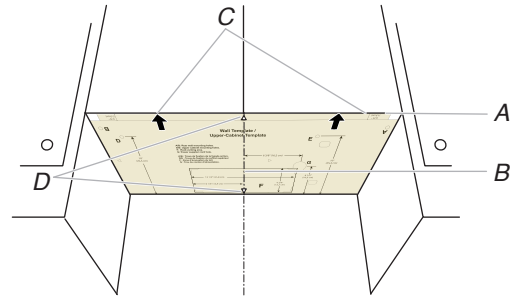
- Place the cardboard plate against the bottom of the upper cabinet.

NOTES:

- Make sure the front edge of the cardboard plate align with the front edge of upper cabinet.
- Make sure the center marks on the cardboard plate align with the upper cabinet centerline which draw in step 1.



A. (Flush) 12³/₄" to 13" (32.4 cm to 33 cm) deep
B. Cabinet

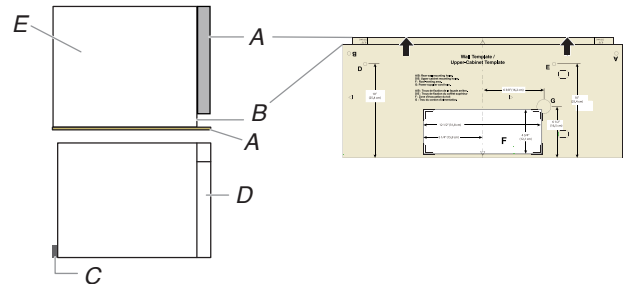


A. Front Edge of Cardboard Plate & Front Edge of Upper Cabinet
B. Upper Cabinet Centerline
C. Arrows on Cardboard Plate
D. Center Marks on Cardboard Plate

NOTE: If the upper cabinet doors protrude from the upper cabinet, the cardboard can be adjusted outward to be flush with the upper cabinet door.

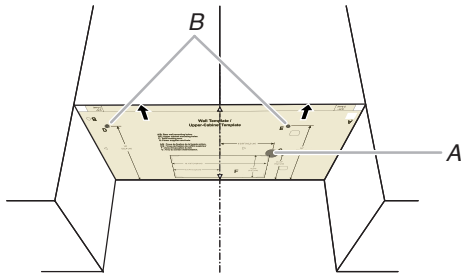
For example the upper cabinet door is 3/4" (1.9 cm) thick, you can align the cardboard plate 3/4" (1.9 cm) line with the upper cabinet.

Flush to cabinet door



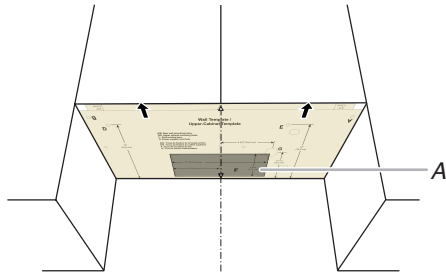
A. Front Edge of Cardboard Plate & Upper Cabinet Door
B. Upper Cabinet & Cardboard Plate 0.75" (1.9 cm) Line
C. Mounting plate
D. Microwave oven door
E. Cabinet

- Use a pencil to mark the power cord hole and two mounting nut holes.



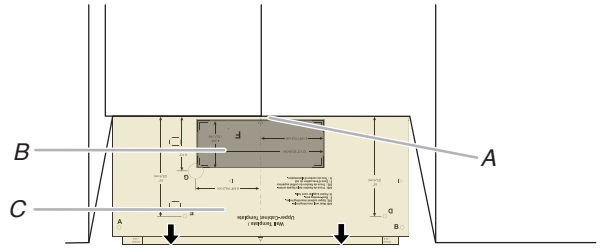
A. Power Cord Hole
B. Mounting Nut Holes

- Use a pencil to mark the upper cabinet vent hole. This step can be skipped if your unit is using recirculation or wall venting installation.



A. Upper Cabinet Hole

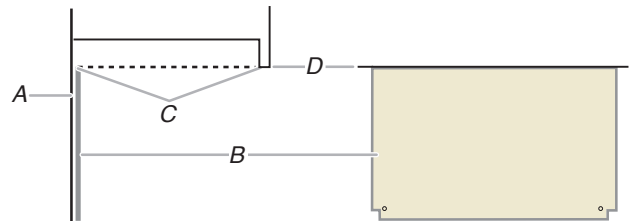
Use a pencil to mark the wall venting hole (wall venting installation only), skip it if your unit is for recirculation or upper cabinet venting installation.



A. Back Edge of Upper Cabinet
B. Wall Venting Hole
C. Cardboard Plate

NOTE:

- If the front edge of the upper cabinet is lower than the back edge, lower the cardboard template so that its top is level with the front edge of the cabinet.

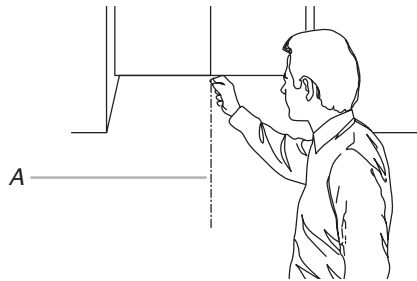


A. Rear wall
B. Cardboard plate
C. Top of cardboard plate must align with front edge of cabinet
D. Front edge of upper cabinet

Mark Rear Wall

The microwave oven must be installed on a minimum of 1 wall stud, preferably 2, using a minimum of 1 lag screw, preferably 2. See "Find the Wall Stud(s)" section to find the wall studs.

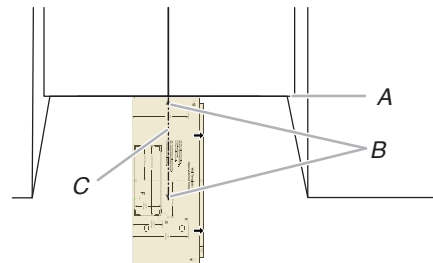
- Use a pencil to mark the power cord hole and two mounting nut holes.



A. Centerline

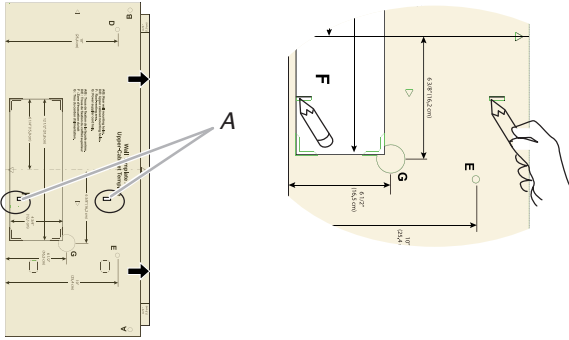
- Align the center markers on the cardboard plate, to the centerline on the wall, making sure it is level, and that the top of the cardboard template is butted up against the back edge of the upper cabinet. (see following **NOTE** before making marks).

- Vertical the cardboard plate & hold it in place on the rear wall while aligning the side center marks (B) on the cardboard plate with the vertical centerline draw in step 1. Make sure the cardboard plate is level, and that the top of the cardboard template is butted up against the bottom edge of the upper cabinet.



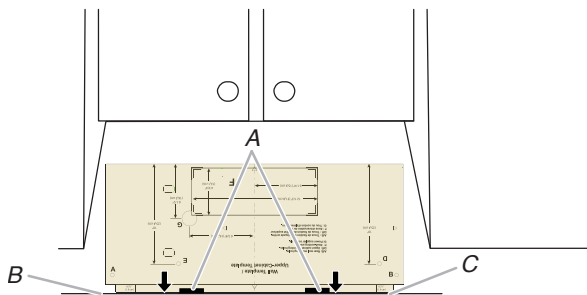
A. Bottom Edge of Upper Cabinet & Top of the Cardboard Plate
B. Side Center Marks on Cardboard Plate
C. Centerline

- Find and mark the two bottom position lines (A) on the cardboard plate.



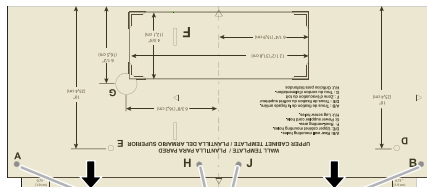
A. Cardboard Plate Bottom Position Line

- Using the bottom edge of the cardboard plate, align it with the two small lines (A), and draw a line (B) indicating where the bottom edge of the mounting plate (C) should be.



A. Two Small Lines
B. Cardboard Plate Bottom Line
C. Bottom Edge of Mounting Plate

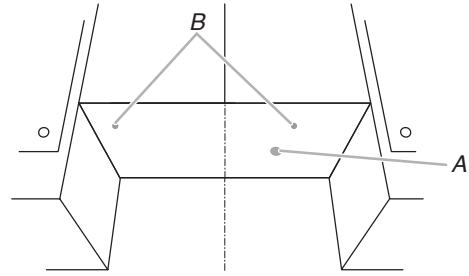
- Draw four small circles using the A, B, H, and J holes.



A & B & H & J holes

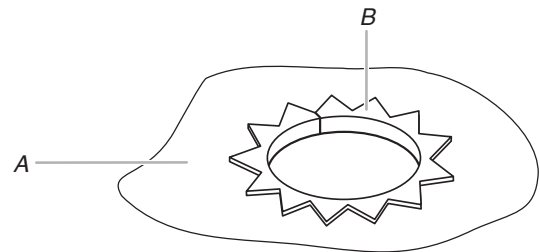
Drill holes in Upper Cabinet

- Using a drill, cut out the power cord hole (A).
- Drill two mounting nut holes (B), which are 3/8" (10 mm) holes at points "D" and "E" on the cardboard template. These are for two 1/4-20 x 3" bolts and washers used to secure the microwave oven to the upper cabinet.



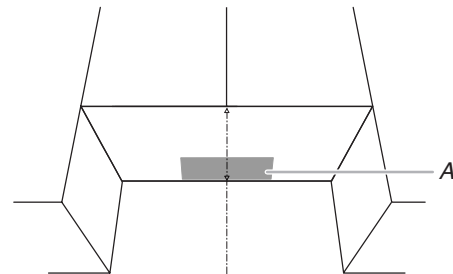
A. Power Cord Hole
B. Mounting Nut Holes

NOTE: If upper cabinet is metal, the supply cord bushing needs to be installed around the supply cord hole as shown.



A. Metal cabinet
B. Power supply cord bushing

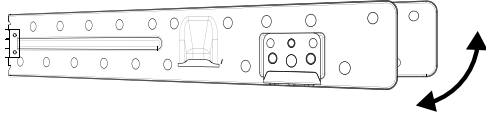
- Using a keyhole saw, cut out the rectangular roof venting cutout area. Skip this step if for recirculation venting or wall venting installation.



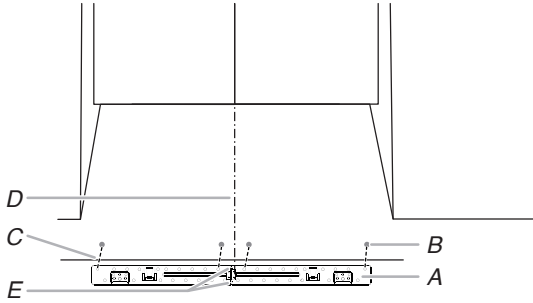
A. Roof Venting Cutout Area

Drill holes in Rear Wall

1. The mounting plate is located inside the inner foam in the cavity, take it out. The mounting plate is folded, open it to 180 degree at plate.



2. Attach the mounting plate to wall. Make sure the 4 holes on mounting plate align with the A, B, H & J holes marked in the "Mark Rear wall" section and the mounting plate center markers align with the Center Mark.



- A. Mounting Plate
- B. A & B & H & J holes
- C. Mounting Plate Bottom Line
- D. Center Mark
- E. Mounting plate center markers

3. Drill holes at A, B, H, & J, if the Wall studs are not located A & B hole, do not drill A & B hole, and follow the below instruction.

In addition to being installed on at least 1 wall stud, the mounting plate must attach to the wall at both end holes. If the end holes are not over wall studs, use two 3/16-24 x 3" round head bolts with toggle nuts; if 1 end hole is over a wall stud, use 1 lag screw and one 3/16-24 x 3" round-head bolt with toggle nut; or if both end holes are over wall studs, use 2 lag screws. Following are 3 installation configurations.

Installation for No Wall Studs at End Holes (Figures 1 and 2 in Find the Wall Stud(s) section)

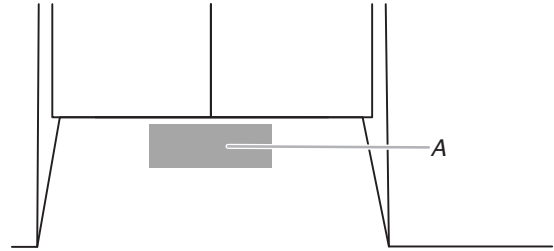
1. Drill 5/8" (1.6 cm) holes through the wall at both end holes marked in Step 3 of the "Mark Rear Wall."
2. Drill 3/16" (5 mm) hole(s) into the wall stud(s) at the hole (s) marked in step 6 of the "Mark Rear Wall." Refer to figures 1 and 2 in "Possible Wall Stud Configurations" in the "Locate Wall Stud(s)" section.

Installation for Wall Stud at One End Hole (Figure 3 in Find the Wall Stud(s) section)

1. Drill a 3/16" (5 mm) hole into the wall stud at the end hole marked in Step 3 of the "Mark Rear Wall."
2. If installing on a second wall stud, drill a 3/16" (5 mm) hole into the wall stud at the other hole marked in Step 6 of the "Mark Rear Wall." Refer to Figure 3 in "Possible Wall Stud Configurations" in the "Locate all Stud(s)" section.
3. Drill a 5/8" (1.6 cm) hole through the wall at the other end.

Installation for Wall Studs at Both End Holes (Figure 4 in Find the Wall Stud(s) section)

1. Drill 3/16" (5 mm) holes into the studs at the end holes marked in Step 3 of the "Mark Rear Wall."
4. Using a keyhole saw, cut out the rectangular wall venting cutout area. Skip this step if for recirculation venting or roof venting installation.

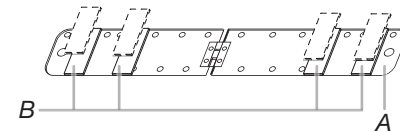


A. Wall Venting Cutout Area

Attach Mounting Plate to Wall

1. Position mounting plate on the wall.

NOTE: If the depth of cabinet is slightly larger than 13" (33 cm), it may be necessary to use a number of the provided spacers, between the mounting plate and the wall, to achieve a more 'Flush' appearance. Stick spacer(s) before position mounting plate on the wall.

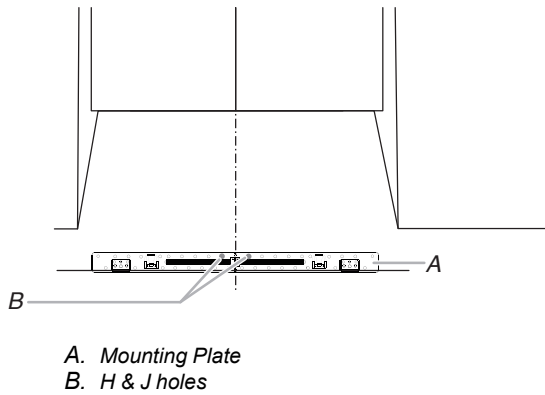


A. Mounting Plate
B. 1/16" (1.6 mm) spacer thickness

Depth of cabinet	Mounting plate
12" to 13" (30.5 cm to 33 cm)	Mounting plate
13 ¹ / ₁₆ " (33.2 cm)	Mounting plate + 4 pieces of spacer
13 ¹ / ₈ " (33.3 cm)	Mounting plate + 8 pieces of spacer

2. Secure the mounting plate to the wall at both end holes drilled into the wall studs and/or drywall using either 3/16-24 x 3" round-head bolts and toggle nuts or 1/4 x 2" lag screws. Refer to illustrations in "Possible Wall Stud Configurations" in the "Locate Wall Stud(s)" section, and the following sections "No Wall Studs at End Holes (Figures 1 and 2 in Find the Wall Stud(s) section)" or "Wall Stud at One End Hole (Figure 3 in Find the wall Stud(s) section)".
3. Insert lag screws into both end holes.
4. Check alignment of mounting plate, making sure it is level.
5. Secure the two end hole screws.

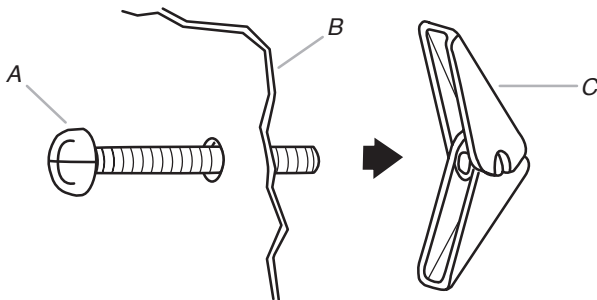
- Secure the mounting plate to the wall at both H & J holes using two 1/4 x 2" lag screws.



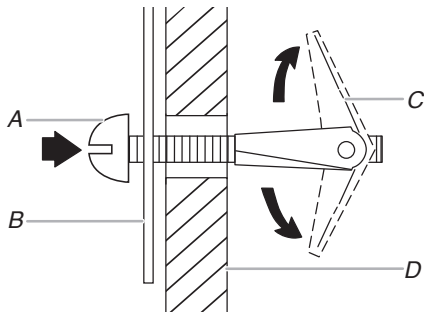
No Wall Studs at End Holes (Figures 1 and 2 in Find the Wall Stud(s) section)

NOTE: The mounting plate must be secured to the wall on at least 1 wall stud as well as at both ends.

- With the support tabs of the mounting plate facing forward, insert 3/16-24 x 3" round-head bolts through both end holes of mounting plate.
- Start toggle nuts on bolts from the back of the mounting plate. Leave enough space for the toggle nuts to go through the wall and to open.



- Position mounting plate on the wall.
- Push the 2 bolts with toggle nuts through the drywall, and finger tighten the bolts to make sure toggle nuts have opened against drywall.



- Insert lag screw(s) into the hole(s) drilled into wall stud(s) in Step 2 of "Installation for No Wall Studs at End Holes" in the "Drill Holes in Rear Wall" section.
- Check alignment of mounting plate, making sure it is level.
- Securely tighten all lag screws and bolts.

Wall Stud at One End Hole (Figure 3 in Find the Wall Stud(s) section)

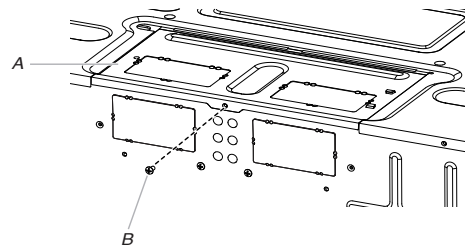
- With the support tabs of the mounting plate facing forward, insert a 3/16-24 x 3" round-head bolt through the end hole that fits over the 5/8" (16 mm) hole drilled in step 3 of "Installation for Wall Stud at One End Hole" in the "Drill Holes in Rear Wall" section.
- Start a toggle nut on the bolt from the back of the mounting plate. Leave enough space for the toggle nut to go through the wall and to open.
- Position mounting plate on the wall.
- Push the bolt with toggle nut through the drywall, and finger tighten the bolt to make sure toggle nut has opened against drywall.
- Insert a lag screw into the remaining end hole.
- If installing on a second wall stud, insert a lag screw into the other hole drilled in Step 2 of "Installation for Wall Stud at One End Hole" in the "Drill Holes in Rear Wall" section.
- Check alignment of mounting plate, making sure it is level.
- Securely tighten the lag screw(s) and bolt.

Rotate Blower Motor

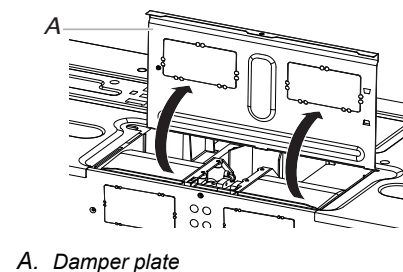
This section include wall and roof venting installation, both venting installation need rotate blower motor, select one ventilation type before install the microwave oven. And follow the propriated instruction to rotate the blower motor. If for recirculation installation, no need to rotate the blower motor, this section can be skip.

Rotate Blower Motor for Wall Venting Installation

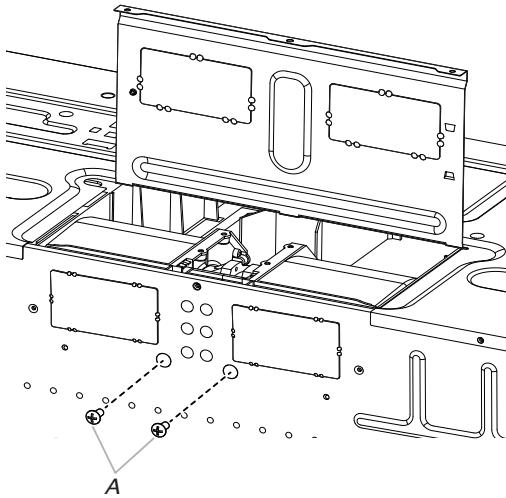
- Remove screws attaching damper plate to back of microwave oven, set the screws aside.



- Turn and hold the damper plate vertically as shown.

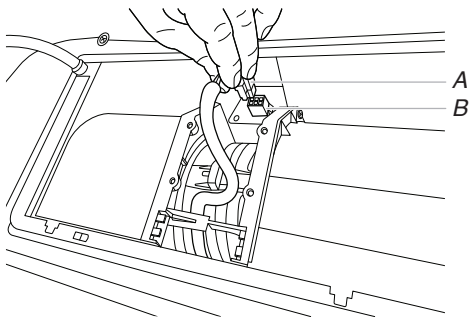


- Remove 2 blower screws attaching blower motor to the microwave oven, and set aside.



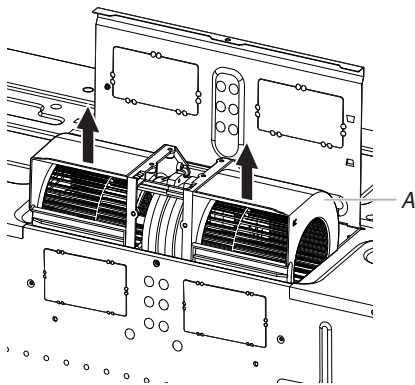
A. Blower screws

- Disconnect the blower motor wire from the connector.



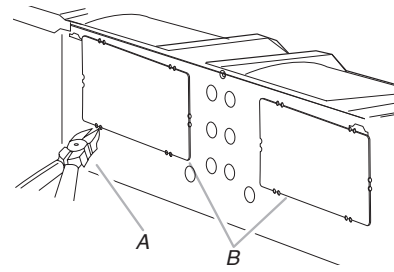
A. Blower motor wire
B. Connector

- Lift blower motor out of microwave oven, and set aside.



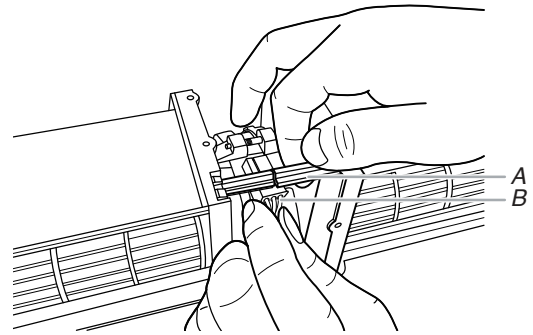
A. Blower motor

- Using diagonal wire cutting pliers, gently snip out the rectangular damper vent covers at the perforations.



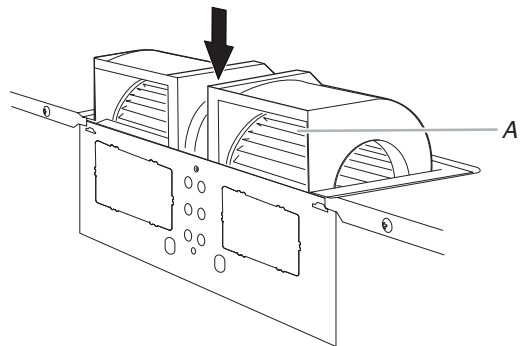
A. Diagonal wire cutting pliers
B. Rectangular damper vent cover

- Hold the blower motor wire, put the wire through the blower motor bridge.



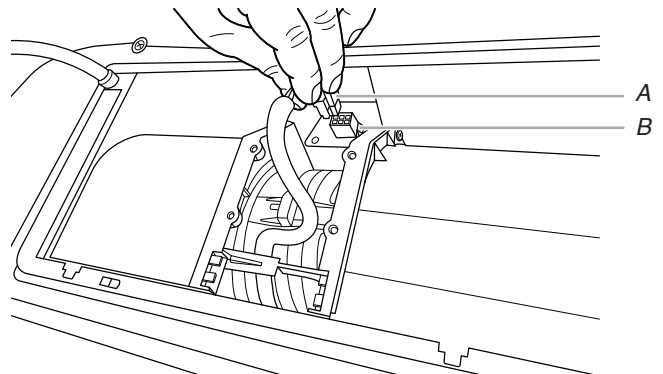
A. Blower motor bridge
B. Blower motor wire

- Lower blower motor back into the microwave oven. Exhaust ports face the back of the microwave oven.



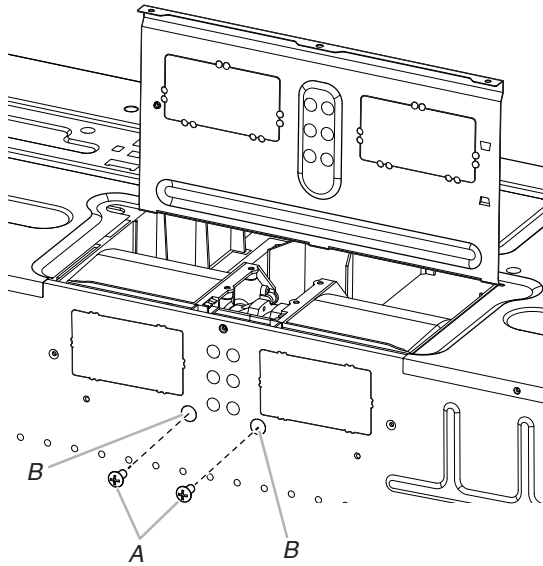
A. Exhaust Port

- Reconnect the blower motor wire into the connector.



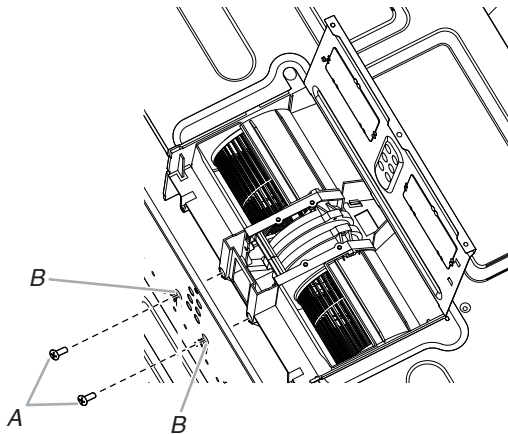
A. Blower motor wire
B. Connector

10. Reattach the 2 blower screws into the recessed holes in the back of the microwave.



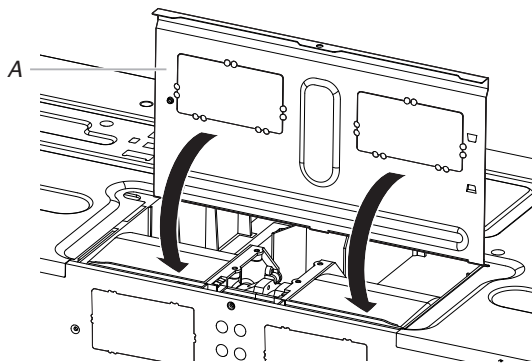
A. Screws
B. Holes

11. Check to make sure the 2 screws are secured properly in the blower motor screw holes, so that the motor cannot move.



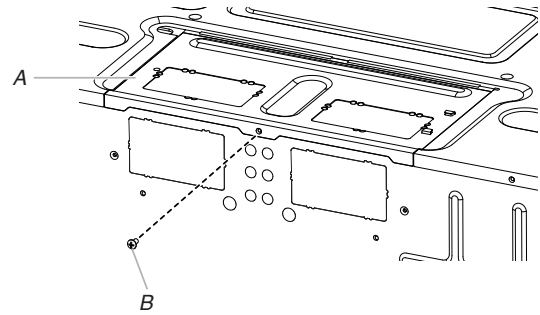
A. Screws
B. Blower motor screw holes

12. Return the damper plate to its original horizontal position.



A. Damper plate

13. Secure damper plate with 2 screws removed in Step 1.



A. Damper plate
B. Screw

⚠ WARNING



Electrical Shock Hazard

Plug into a grounded 3 prong outlet.

Do not remove ground prong.

Do not use an adapter.

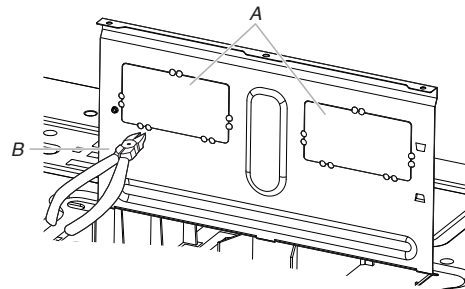
Do not use an extension cord.

Failure to follow these instructions can result in death, fire, or electrical shock.

14. Plug in the microwave oven. Check if the vent fan runs with abnormal sounds, go back through the steps to see which step was skipped.

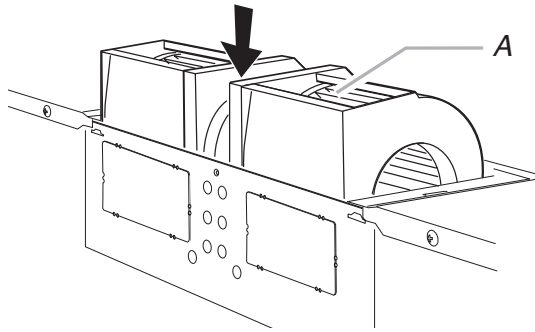
Rotate Blower Motor for Roof Venting Installation

1. Repeat Steps 1 to 5 from "Wall Venting Installation Only."
2. Using diagonal wire cutting pliers, gently snip out the rectangular vent covers on the damper plate at the perforations.



A. Rectangular vent covers
B. Diagonal wire cutting pliers

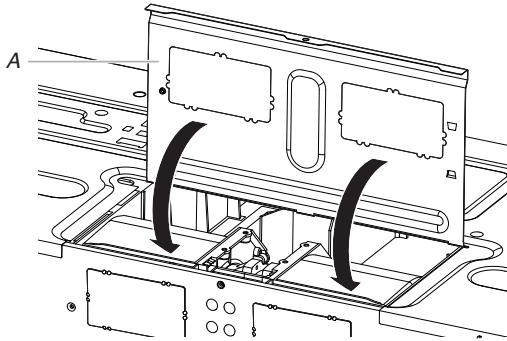
- Lower blower motor back into microwave oven. Exhaust ports face the top of microwave oven.



A. Exhaust port

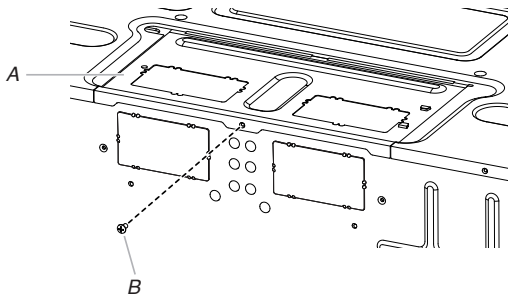
IMPORTANT: If blower motor is not positioned with flat side facing the back of the microwave oven (as shown), performance will be poor.

- Reconnect the blower motor wire into the connector.
- Reattach the 2 blower screws into the recessed holes in the back of the microwave.
- Check to make sure the 2 screws are secured properly in the blower motor screw holes, so that the motor cannot move.
- Return the damper plate to its original horizontal position.



A. Damper plate

- Secure damper plate with screw removed in Step 1.



A. Damper plate
B. Screw

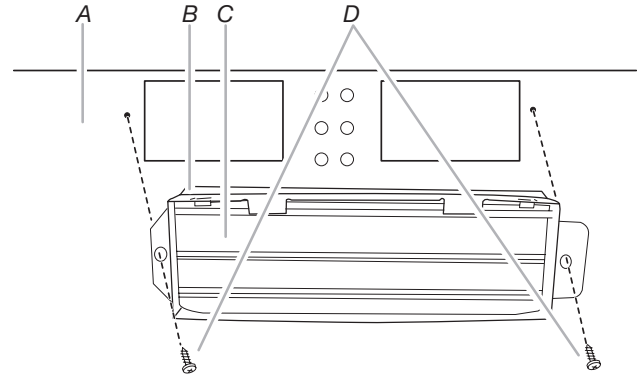
- Repeat Step 14 from "Wall Venting Installation Only."

Install Damper Assembly

If for recirculation installation, no need to install the damper assembly, this section can be skip. And save it for future use.

Install Damper Assembly for Wall Venting Installation

- Check that damper blade moves freely and opens fully.
- Position the damper assembly on the back of the microwave oven so that the damper blade hinge is at the top, and the damper blade opens away from the microwave oven.



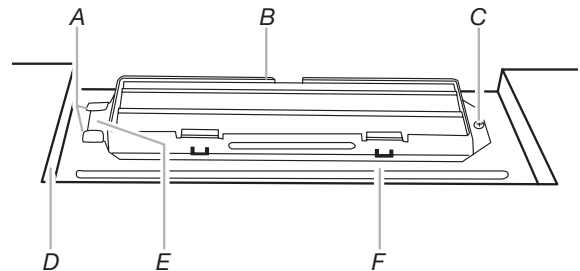
A. Back of microwave oven
B. Damper assembly
C. Damper blade
D. #6 x 3/8" Sheet metal screws

- Secure damper assembly with two #6 x 3/8" sheet metal screws.

Install Damper Assembly for Roof Venting Installation

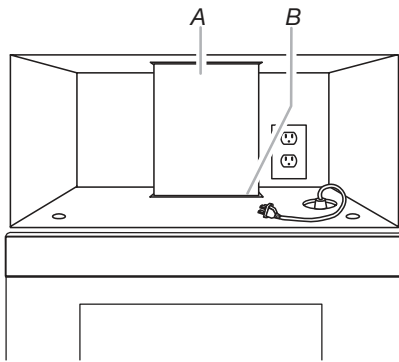
- Check that damper blade moves freely and opens fully.
- Insert damper assembly through the cabinet cutout so that the long tab of the damper assembly slides under the raised tabs of the damper plate. Then secure with #6 x 3/8" sheet metal screw.

NOTE: The screw cannot be installed if the damper assembly is not positioned as shown.



A. Raised tabs
B. Damper assembly
C. #6 x 3/8" Sheet metal screws
D. Upper cabinet cutout
E. Long tab
F. Damper plate

3. Connect vent to damper assembly.



A. Vent
B. Damper assembly (under vent)

Install the Microwave Oven

⚠WARNING

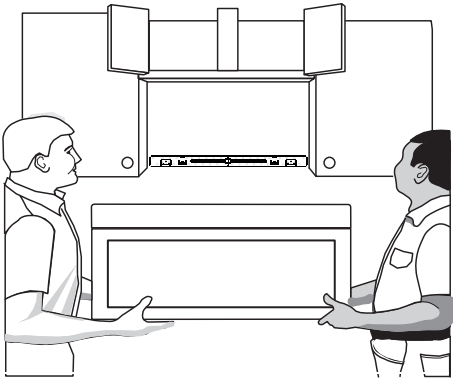
Excessive Weight Hazard

Use two or more people to move and install or uninstall appliance.

Failure to do so can result in back or other injury.

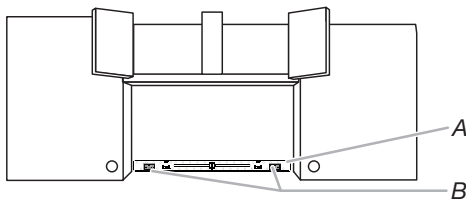
IMPORTANT: The control side of the microwave oven is the heavy side. Handle the microwave oven gently.

1. Place a washer on each 1/4–20 x 3" flat-head bolt and place inside upper cabinet near the 3/8" (10 mm) holes.
2. Make sure the microwave oven door is closed and taped shut.



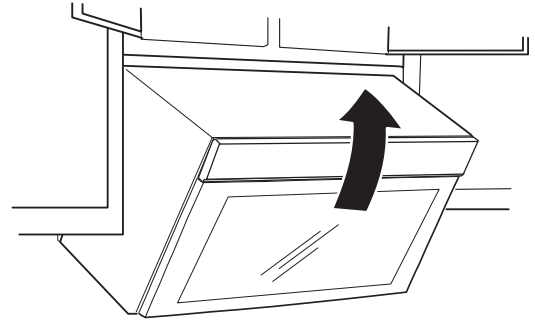
3. Using 2 or more people, lift microwave oven and hang it on support tabs at the bottom of mounting plate.

NOTE: To avoid damage to the microwave oven, do not grip or use the door or while the microwave oven is being handled.



A. Mounting plate
B. Support tabs

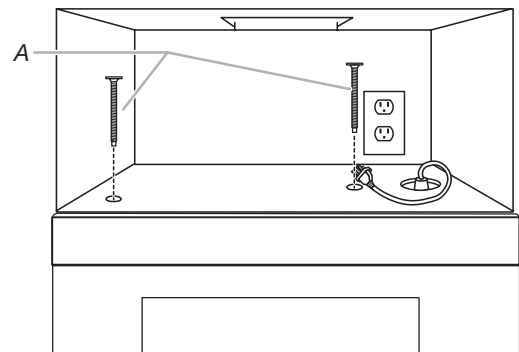
4. With front of microwave oven still tilted, thread power supply cord through the power supply cord hole in the bottom of the upper cabinet.



5. Rotate microwave oven up toward upper cabinet.
NOTE: If venting through the wall, make sure the damper assembly fits easily into the vent in the wall cutout.
6. Push microwave oven against mounting plate and hold in.
NOTE: If microwave oven does not need to be adjusted, skip steps 6 through 8.
7. If adjustment is required, rotate microwave oven downward. Using 2 or more people, lift microwave oven off of mounting plate, and set aside on a covered surface.
8. Loosen mounting plate screws. Adjust mounting plate and retighten screws.
9. Repeat steps 3 through 6.
10. With the microwave oven centered, and with at least one person holding it in place, insert bolts through upper cabinet into microwave oven. Tighten bolts until there is no gap between upper cabinet and microwave oven.

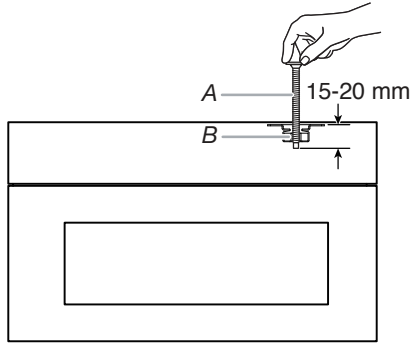
NOTES:

- Some upper cabinets may require bolts longer or shorter than 3" (7.6 cm). Longer or shorter bolts are available at most hardware stores.
- Overtightening bolts may warp the top of the microwave oven. To avoid warping, wood filter blocks (installer to provide) may be added. The blocks must be the same thickness as the space between the upper cabinet bottom and the microwave oven.



A. Bolts

- Avoid damage to the mounting nut, screw the bolts into the mounting nut holes around 15–20 mm by hand first, make sure the bolts thread in properly. Then tighten with tools.



A. Bolt
B. Mounting Nut

Complete Installation

1. Check that all parts are now installed. If there is an extra part, go back through the steps to see which step was skipped.
2. Dispose of/recycle all packaging materials.

⚠ WARNING



Electrical Shock Hazard

Plug into a grounded 3 prong outlet.

Do not remove ground prong.

Do not use an adapter.

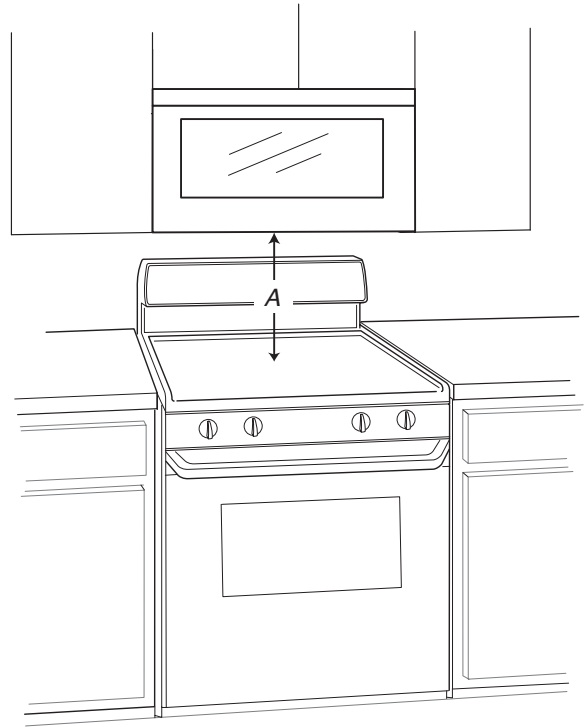
Do not use an extension cord.

Failure to follow these instructions can result in death, fire, or electrical shock.

3. Plug microwave oven into grounded 3 prong outlet.
4. Reconnect power.
5. Check the operation of microwave oven by placing 1 cup (250 mL) of water on the cavity and programming a cook time of 1 minute at 100% power. Test vent fan and exhaust by operating the vent fan.
6. Check the vent door if auto open.
7. If the microwave oven does not operate:
 - Check that a household fuse has not blown, or that a circuit breaker has not tripped. Replace the fuse or reset the circuit breaker. If the problem continues, call an electrician.
 - Check that the power supply cord is plugged into a grounded 3 prong outlet.
 - See the User Instructions for troubleshooting information.

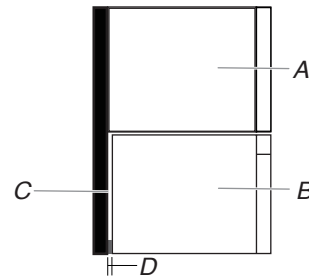
The installation is now complete.

Save Installation Instructions for future use.



A. The height from the highest point of the stove to the bottom of the microwave oven.

Minimum	Recommendation
12 ¹ / ₈ " (30.8 cm)	18 ¹ / ₈ " (46 cm)



A. Cabinet
B. Microwave oven
C. Wall or back of the cabinet
D. 1/2"-3/4" (1.3-1.9 cm)

VENTING DESIGN SPECIFICATIONS

Venting Design Specifications

This section is intended for architectural designer and builder/contractor reference only.

NOTES:

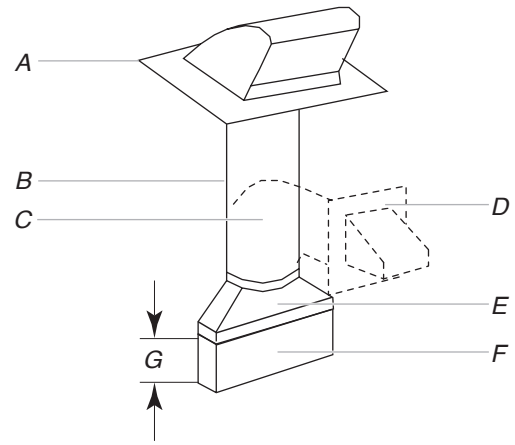
- Vent materials needed for installation are not provided with microwave hood combination.
- We do not recommend using a flexible metal vent.
- To avoid possible product damage, be sure to vent air outside, unless using recirculation installation. Do not vent exhaust air into concealed spaces, such as spaces within walls or ceilings, attics, crawl spaces or garages.

For optimal venting installation, we recommend:

- Using roof or wall caps that have backdraft dampers.
- Using a rigid metal vent.
- Using the most direct route by minimizing the length of the vent and number of elbows to provide efficient performance.
- Using uniformly sized vents.
- Using duct tape to seal all joints in the vent system.
- Using caulking compound to seal exterior wall or roof opening around cap.
- Not installing 2 elbows together, for optimal hood performance.

If venting through the wall, be sure that there is proper clearance within the wall for the damper to open fully.

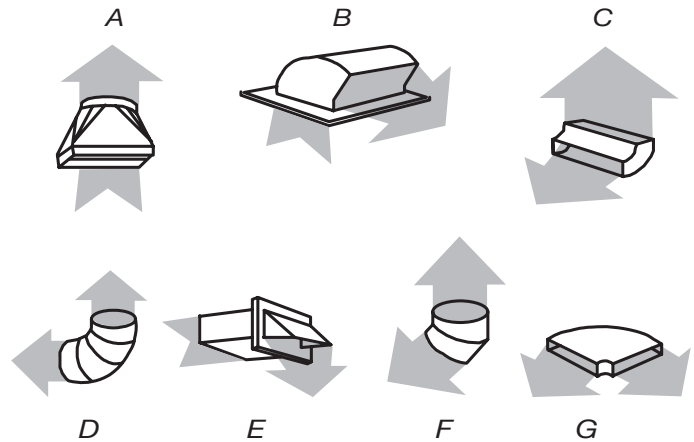
If venting through the roof, and rectangular-to-round transition is used, be sure there are at least 3" (7.6 cm) of clearance between the top of the microwave oven and the transition piece. See "Rectangular-to-Round Transition" illustration.



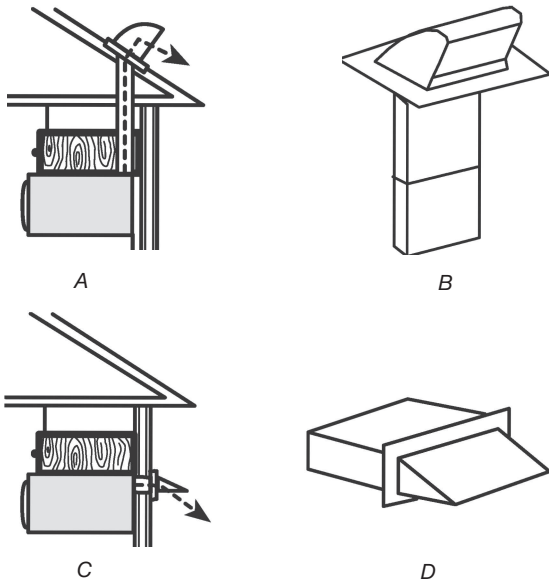
- A. Roof cap
- B. 6" (152 mm) minimum diameter round vent
- C. Elbow (for wall venting only)
- D. Wall cap
- E. 3 1/4" x 10" to 6" (8.3 x 25.4 cm to 15.2 cm) a rectangular-to-round transition piece
- F. Vent extension piece, at least 3" (7.6 cm) high
- G. 3" (7.6 cm)

Recommended Standard Fittings

The following length equivalents are for use when figuring vent length. See the examples in "Recommended Vent Length."



- A. Rectangular-to-round transition piece: 3 1/4" x 10" to 6" = 5 ft (8.3 x 25.4 cm to 15.2 cm = 1.5 m)
- B. Roof cap: 3 1/4" x 10" = 24 ft (8.3 x 25.4 cm = 7.3 m)
- C. 90° elbow: 3 1/4" x 10" = 25 ft (8.3 x 25.4 cm = 7.6 m)
- D. 90° elbow: 6" = 10 ft (15.2 cm = 3 m)
- E. Wall cap: 3 1/4" x 10" = 40 ft (8.3 x 25.4 cm = 12.2 m)
- F. 45° elbow: 6" = 5 ft (15.2 cm = 1.5 m)
- G. 90° flat elbow: 3 1/4" x 10" = 10 ft (8.3 x 25.4 cm = 3 m)



- A. Roof venting
- B. Roof cap
- C. Wall venting
- D. Wall cap

Rectangular-to-Round Transition

NOTE: The minimum 3" (7.6 cm) clearance must exist between the top of the microwave oven and the rectangular-to-round transition piece so that the damper can open freely and fully.

Recommended Vent Length

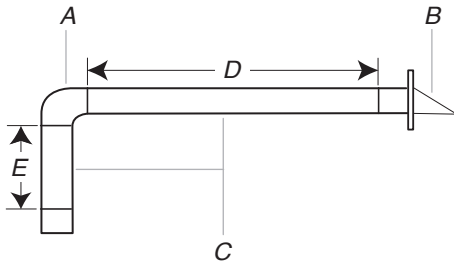
A 3¹/₄" x 10" (8.3 x 25.4 cm) rectangular or 6" (15.2 cm) round vent should be used.

The total length of the vent system including straight vent, elbow(s), transitions and wall or roof caps must not exceed the equivalent of 140 ft (42.7 m) for either type of vent. See the "Recommended Standard Fittings" section for equivalent lengths.

For best performance, use no more than three 90° elbows.

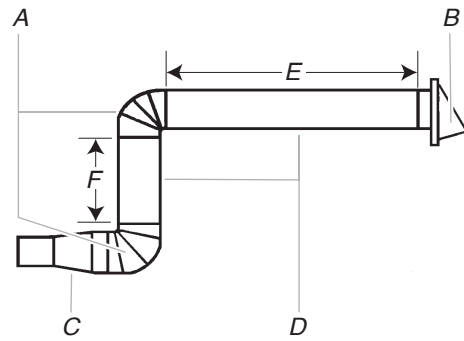
To calculate the length of the system you need, add the equivalent lengths of each vent piece used in the system. See the following examples:

3¹/₄" x 10" (8.3 x 25.4 cm) vent system = 73 ft (22.2 m) total



- A. One 3¹/₄" x 10" (8.3 x 25.4 cm) 90° elbow = 25 ft (7.6 m)
- B. 1 wall cap = 40 ft (12.2 m)
- C. 2 ft (0.6 m) + 6 ft (1.8 m) straight = 8 ft (2.4 m)
- D. 6 ft (1.8 m)
- E. 2 ft (0.6 m)

6" (152 mm) vent system = 73 ft (22.2 m) total



- A. Two 90° elbows = 20 ft (6.1 m)
- B. 1 wall cap = 40 ft (12.2 m)
- C. 1 rectangular-to-round transition piece = 5 ft (1.5 m)
- D. 2 ft (0.6 m) + 6 ft (1.8 m) straight = 8 ft (2.4 m)
- E. 6 ft (1.8 m)
- F. 2 ft (0.6 m)

If the existing vent is round, a rectangular to round transition piece must be used. In addition, a rectangular 3" (7.6 cm) extension vent between the damper assembly and rectangular to round transition piece must be installed to keep the damper from sticking.

SÉCURITÉ DU FOUR À MICRO-ONDES

Votre sécurité et celle des autres sont très importantes.

Nous donnons de nombreux messages de sécurité importants dans ce manuel et sur votre appareil. Assurez-vous de toujours lire tous les messages de sécurité et de vous y conformer.



Voici le symbole d'alerte de sécurité.

Ce symbole d'alerte de sécurité vous signale les dangers potentiels de décès et de blessures graves.

Tous les messages de sécurité suivront le symbole d'alerte de sécurité et le mot « DANGER » ou « AVERTISSEMENT ». Ces mots signifient :

▲ DANGER

Risque possible de décès ou de blessure grave si vous ne suivez pas immédiatement les instructions.

▲ AVERTISSEMENT

Risque possible de décès ou de blessure grave si vous ne suivez pas les instructions.

Tous les messages de sécurité vous diront quel est le danger potentiel, comment réduire le risque de blessure et ce qui peut se produire en cas de non-respect des instructions.

IMPORTANTES INSTRUCTIONS DE SÉCURITÉ

Lors de l'utilisation d'appareils électriques, il faut toujours observer certaines précautions élémentaires de sécurité, y compris les suivantes :

AVERTISSEMENT : Pour réduire les risques de brûlure, de décharges électriques, d'incendie, de blessures ou d'exposition à un rayonnement excessif de micro-ondes :

- Lire toutes les instructions avant d'utiliser l'appareil.
- Lire et respecter les « PRÉCAUTIONS POUR ÉVITER LES EXPOSITIONS POSSIBLES À UN RAYONNEMENT EXCESSIF AUX MICRO-ONDES » spécifiques de ce manuel.
- Cet appareil doit être relié à la terre. Brancher uniquement dans une prise reliée à la terre. Consulter le point « INSTRUCTIONS DE LIAISON À LA TERRE » de cette section.
- Installer ou placer cet appareil en respectant toutes les instructions d'installation fournies.
- Certains produits comme les œufs entiers et les contenants scellés, comme un pot en verre fermé, peuvent exploser et ne devraient pas être chauffés dans ce four.
- Utiliser cet appareil uniquement dans le cadre de l'usage auquel il se destine comme décrit dans le manuel. Ne pas utiliser de produits chimiques corrosifs ou dégageant des vapeurs dans cet appareil. Ce type de four est spécialement conçu pour chauffer, cuire ou sécher des aliments. Il n'est pas conçu pour une utilisation à des fins industrielles ou en laboratoires.
- Comme pour tout appareil, une bonne supervision est nécessaire lorsqu'un enfant utilise l'appareil.
- Ne pas utiliser ce produit si la fiche ou le cordon est endommagé, s'il ne fonctionne pas correctement ou s'il a subi une chute ou a été endommagé de quelque façon que ce soit.
- Seule une personne qualifiée est habilitée à effectuer une intervention d'entretien sur cet appareil. Communiquer avec l'entreprise de service autorisé la plus près de chez vous pour la vérification, la réparation et le réglage.
- Ne pas couvrir ou obstruer les ouvertures de l'appareil.
- Ne pas ranger l'appareil à l'extérieur. Ne pas utiliser cet appareil près d'une source d'eau comme un évier de cuisine, un sous-sol humide, une piscine ou tout autre emplacement semblable.
- Ne pas immerger le cordon ou la fiche dans l'eau.
- Maintenir le cordon à l'écart de toute surface chaude.
- Ne pas laisser le cordon pendre par-dessus le bord d'une table ou d'un comptoir.
- Ne pas utiliser de pièces de remplacement qui n'ont pas été recommandées par le fabricant (c.-à-d., des pièces fabriquées à la maison à l'aide d'une imprimante 3D).
- Voir les instructions de nettoyage de la surface de la porte dans la » section « Entretien et réparation du four à micro-ondes ».
- Les liquides, comme l'eau, le café ou le thé, peuvent être chauffés au-delà du point d'ébullition sans pour autant avoir l'air de bouillir. Des bulles ou une ébullition lorsque le contenant est sorti du four à micro-ondes ne sont pas toujours visibles. LE CONTENU LIQUIDE TRÈS CHAUD PEUT AINSI SOUDAINEMENT BOUILLIR LORSQUE LE CONTENANT EST DÉPLACÉ OU SI UN USTENSILE EST INSÉRÉ DANS LE LIQUIDE.
- Ne pas utiliser un appareil de chauffage ou de cuisson sous cet appareil.
- Ne pas fixer l'appareil au-dessus ou près d'un appareil de chauffage ou de cuisson.
- Ne pas installer au-dessus d'un évier.

CONSERVER CES INSTRUCTIONS

IMPORTANTES INSTRUCTIONS DE SÉCURITÉ

Lors de l'utilisation d'appareils électriques, il faut toujours observer certaines précautions élémentaires de sécurité, y compris les suivantes :

AVERTISSEMENT : Pour réduire les risques de brûlure, de décharges électriques, d'incendie, de blessures ou d'exposition à un rayonnement excessif de micro-ondes :

- Ne rien placer directement sur le dessus de l'appareil lorsque ce dernier est utilisé.
- Nettoyer régulièrement les hottes de ventilation – Ne pas laisser la graisse s'accumuler dans la hotte ou le filtre.
- Lorsque des aliments sont flambés sous la hotte, mettre le ventilateur en marche.
- Peut être placé au-dessus d'un équipement de cuisson électrique ou au gaz.
- Conçu pour être utilisé au-dessus d'une cuisinière d'une largeur maximum de 36 po (91,44 cm).
- Nettoyer le filtre de la hotte d'extraction en faisant attention. Des agents nettoyants corrosifs, comme du nettoyant à four à basse de soude, peuvent endommager le filtre.
- Pour réduire les risques d'incendie dans la cavité du four :
 - Ne pas trop faire cuire les aliments. Surveiller attentivement l'appareil lorsque du papier, du plastique ou d'autres matériaux combustibles sont placés à l'intérieur pour faciliter la cuisson.
 - Retirer les attaches des sacs en papier ou en plastique avant de placer le sac dans le four.
 - Si des matériaux prennent en feu dans le four, garder la porte du four fermée, éteindre le four et débrancher le cordon d'alimentation ou fermer l'alimentation au fusible ou disjoncteur.
 - Ne pas utiliser la cavité comme remisage. Ne pas laisser de produits en papier, d'ustensiles de cuisson ou d'aliments dans la cavité lorsque l'appareil n'est pas utilisé.

CONSERVER CES INSTRUCTIONS

PRÉCAUTIONS POUR ÉVITER TOUTE EXPOSITION ÉVENTUELLE AU RAYONNEMENT EXCESSIF DE MICRO-ONDES ET UTILISER L'APPAREIL SANS DANGER

- (a) Ne pas tenter de faire fonctionner ce four lorsque la porte est ouverte puisque l'utilisation la porte ouverte peut entraîner une exposition dangereuse au rayonnement des micro-ondes. Il est important de ne pas modifier ou contourner le verrouillage de sécurité.
- (b) Ne placer aucun objet entre le devant du four à micro-ondes et la porte ou ne pas permettre à de la saleté ou des résidus de nettoyage de s'accumuler sur les surfaces des joints d'étanchéité.
- (c) Ne pas ouvrir le four à micro-ondes s'il est endommagé. Il est très important que la porte du four ferme correctement et qu'il n'y ait pas de dommage à :
 - (1) la porte (tordue);
 - (2) les charnières et loquets (brisées ou lâches);
 - (3) les joints d'étanchéité de la porte et leur surface.
- (d) Le four ne doit pas être réglé ou réparé par une personne autre qu'une personne d'entretien qualifiée.

ENTRETIEN ET RÉPARATION DU FOUR À MICRO-ONDES

Nettoyage général

IMPORTANT : Avant le nettoyage, s'assurer que toutes les commandes sont désactivées et que le four à micro-ondes est froid. Toujours suivre les instructions figurant sur les étiquettes des produits de nettoyage.

L'usage de savon, d'eau et d'un chiffon doux ou d'une éponge est suggéré en priorité, sauf indication contraire.

ACIER INOXYDABLE ET ACIER INOXYDABLE NOIR (sur certains modèles)

REMARQUE : Afin d'éviter d'endommager les surfaces en acier inoxydable, ne pas utiliser de tampons à récurer savonneux, de nettoyeurs abrasifs, de crème à polir pour table de cuisson, de tampons en laine d'acier, de chiffons de lavage rêches ou d'essuie-tout abrasifs. Ils peuvent endommager les surfaces en acier inoxydable, même après une seule ou quelques applications.

Frotter dans la direction du grain pour éviter les dommages.

Méthode de nettoyage :

- Affresh®+ Nettoyant pour acier inoxydable – numéro de pièce W10355016 (vendu séparément) ou chiffons pour acier inoxydable affresh® – numéro de pièce W1055049 (vendu séparément) : Consulter le Guide de démarrage rapide pour les informations de commande.
- Vinaigre pour les taches d'eau dure.

EXTÉRIEUR DE LA PORTE DU FOUR À MICRO-ONDES

Méthode de nettoyage :

- Nettoyant à vitre et chiffon doux ou éponge : Appliquer le nettoyant à vitre sur un chiffon doux ou une éponge et non directement sur le tableau.
- Nettoyant Affresh® pour appareils de la cuisine – numéro de pièce W10355010 (vendu séparément) : Voir la section « Information de commande en ligne » du Guide de démarrage rapide pour commander.

REVÊTEMENT INTÉRIEUR ANTIADHÉSIF (sur certains modèles)

Pour éviter d'endommager l'intérieur du four à micro-ondes, ne pas utiliser d'ustensiles en métal ou tranchants, de grattoirs, de nettoyeurs abrasifs ou d'autres accessoires de récurage.

CAVITÉ DU FOUR À MICRO-ONDES

Afin d'éviter d'endommager la cavité du four à micro-ondes, ne pas utiliser de tampons à récurer savonneux, de nettoyeurs abrasifs, de tampons en laine d'acier, de chiffons de lavage rêches ou certains essuie-tout.

Sur les modèles en acier inoxydable, frotter dans le sens du grain pour éviter d'endommager le fini.

La zone de contact entre la porte fermée et le cadre du four à micro-ondes doit être maintenue propre.

Méthode de nettoyage :

Saleté moyenne

- Savons et détergents doux, non abrasifs : Rincer à l'eau propre et sécher avec un chiffon doux sans charpie.

Saleté tenace

- Savons et détergents doux, non abrasifs : Faire chauffer une tasse (250 mL) d'eau pendant 2 à 5 minutes dans le four à micro-ondes. La vapeur amollira la saleté. Rincer à l'eau propre et sécher avec un chiffon doux sans charpie.

Odeurs

- Jus de citron ou vinaigre : Faire chauffer une tasse (250 mL) d'eau avec 1 c. à soupe (15 mL) de jus de citron ou de vinaigre pendant 2 à 5 minutes dans le four à micro-ondes.

FILTRES À GRAISSE

- Nettoyant doux et tampon à récurer
- Lave-vaisselle

INSTRUCTIONS D'INSTALLATION SPÉCIFICATIONS

Outils et Pièces


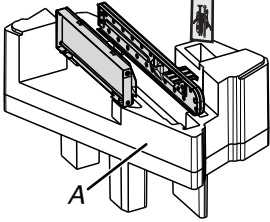






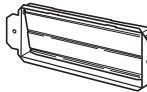
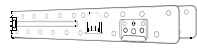
Outils nécessaires

- Ruban à mesurer
- Crayon
- Ciseaux
- Ruban-cache ou punaises
- Perceuse
- Tournevis à tête cruciforme no 2
- Détecteur de montant
- Tournevis à tête cruciforme no 3 pour les vis de 1/4 - 20 x 3 po (76 mm)
- Mèche de 3/16 po (5 mm), 3/8 po (10 mm), 5/8 po (16 mm)
- Scie-cloche de 3/4 po (19 mm)
- Scie à guichet
- Pince coupante
- Clé à douille (ou clé polygonale) de 7/16 po (11 mm) pour tirefonds de 1/4 po x 2 po (6,4 mm x 51 mm)
- Scie-cloche de 1 1/2 po (38 mm) pour armoire de bois ou de métal
- Pistolet à calfeutrage et calfeutrant étanche
- Ruban adhésif pour conduit.

Matériaux nécessaires

- Composants standard pour décharge à travers le mur ou à travers le toit. Voir la section « Spécifications/conception du circuit d'évacuation ».

Pièces fournies

Pièce	Dessin	Description	Qté	Emplacement
Ensemble de vis		Vis à tête ronde de 3/16 – 24 x 3 po	2	 A. Mousse interne de la cavité
		Vis à tête plate de 1/4 – 20 x 3 po	2	
		Rondelles	2	
		Écrou à bascule de 3/16 po	2	
		Tirefonds de 1/4 po x 2 po	4	
		Vis à tôle no 6 x 3/8 po	2	
		Bague de cordon d'alimentation électrique	1	
Clapet		Clapet antiretour pour évacuation à travers le mur ou le toit	1	
Plaque de montage		Plaque de montage pliée, à déplier avant l'installation	1	

Entretoise		Entretoise (long.*larg.*épaisseur : 40* 10* 1,6 mm)	8	 B. Dans le sachet de documentation
Plaque de carton		Gabarits pour l'armoire supérieure et le mur	1	 C. Mousse extérieure dans le carton
Documentation		Documentation	1	

Consulter les codes locaux. Vérifier l'alimentation électrique existante. Consulter les « Spécifications électriques ».

Il est recommandé de faire réaliser tous les raccordements électriques par un électricien qualifié.

REMARQUE :

- Les articles de quincaillerie suivants sont destinés à l'utilisation sur un montant de bois. En présence d'une structure de mur différent, utiliser les éléments de fixation appropriés.
- S'assurer d'acheter uniquement des pièces et des accessoires Whirlpool certifiés par le fabricant de l'appareil. Il se peut que l'installation nécessite des pièces supplémentaires. Pour commander, voir la section « Information de commande en ligne » du Guide de démarrage rapide.

Exigences d'emplacement

Inspecter l'ouverture où le four à micro-ondes sera installé.

L'emplacement doit comporter les caractéristiques suivantes :

- Dimensions minimales à respecter lors de l'installation. Voir l'illustration « Dimensions à respecter lors de l'installation ».
- Au moins un montant en bois 2 po x 4 po (5,1 x 10,2 cm), et parement de plâtre/support d'enduit ou panneau de gypse d'épaisseur 3/8 po (1 cm) ou plus, dans l'ouverture de l'armoire.
- Capacité de support de charge de 150 lb (68 kg), ceci incluant le four à micro-ondes et les articles placés à l'intérieur du four à micro-ondes et de l'armoire supérieure.
- Prise de courant électrique reliée à la terre à l'intérieur de l'armoire supérieure. Voir la section « Spécifications électriques ».

REMARQUE :

- Certains modèles sont munis d'une poignée dissimulée. Dans le cas de l'installation du four à micro-ondes près d'une paroi latérale sur le côté droit, laisser un espace libre de 3 po (7,6 cm) ou plus entre le mur et le four à micro-ondes pour permettre d'agripper la poignée intégrée à la porte.
- Les matériaux de certaines armoires et certains matériaux de construction peuvent ne pas résister à la chaleur émise par le four à micro-ondes lors des opérations de cuisson. Consulter le constructeur de la maison ou le fabricant des armoires pour déterminer si les matériaux utilisés pourraient subir un changement de couleur, une déstratification ou d'autres dommages.

Exigences spéciales

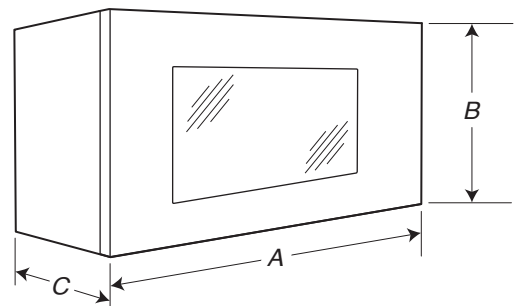
Pour une installation avec évacuation murale seulement :

- L'ouverture découpée doit être exempte d'obstruction pour l'ajustement adéquat du conduit d'évacuation et pour que la plaque du registre puisse s'ouvrir complètement et librement.

Pour une installation avec évacuation à travers le toit seulement :

- Si on utilise un raccord de transition rectangulaire/rond, on doit disposer d'un espace libre de 3 po (7,6 cm) au-dessus du four à micro-ondes afin que la plaque du registre puisse s'ouvrir complètement et librement. Voir l'illustration « Raccord de transition rectangulaire/rond » dans la section « Spécifications/conception du circuit d'évacuation ».

Dimensions du produit



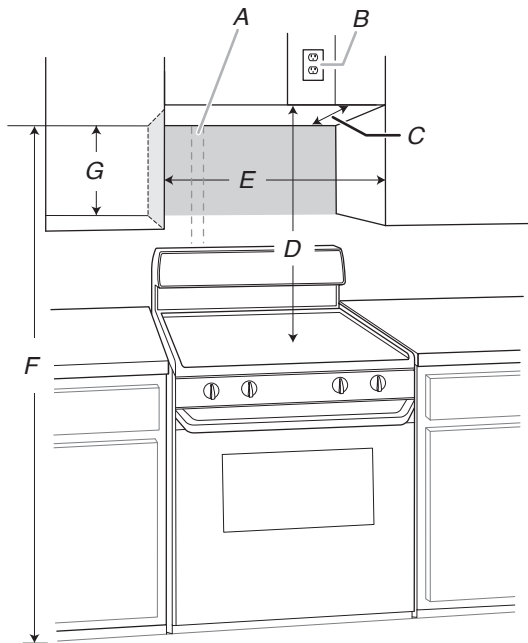
A. 29 ⁷/₈ po (76,1 cm)

B. 17 ⁷/₈ po (45,4 cm)

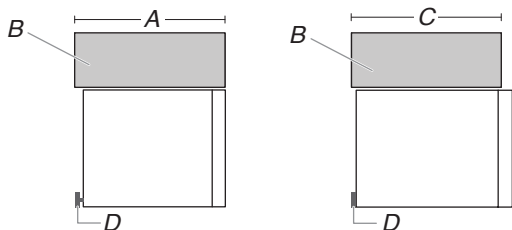
C. 12 ¹/₈ po (31,3 cm)

Dimensions d'installation

REMARQUE : La prise de courant à 3 alvéoles reliée à la terre doit être située à l'intérieur de l'armoire supérieure. Voir la section « Spécifications électriques ».



- | | |
|---|---|
| A. Montant de cloison de 2 po x 4 po (5,1 cm x 10,2 cm) | E. 30 po (76,2 cm) minimum |
| B. Prise à 3 alvéoles reliée à la terre | F. 72 po (182,8 cm) recommandé |
| C. Profondeur armoire supérieure (avec porte)*** | 66 po (167,6 cm) minimum |
| D. 36 po (91,4 cm) recommandé* | G. Surface arrière plane de 18 1/4 po (46,3 cm) minimum |
| 30 po (76,2 cm) habituel** | |



- | |
|--|
| A. (Affleurant) 12 3/4 po à 13 po (32,3 à 33 cm) de profondeur |
| B. Armoire |
| C. Moins de 12 3/4 po (32,3 cm) de profondeur |
| D. Plaque de montage |

Les dimensions exactes peuvent varier en fonction du type de cuisinière/table de cuisson ci-dessous.

*36 po (91,4 cm) est recommandé pour une hauteur d'installation de 72 po (182,8 cm).

** 30 po (76,2 cm) est typique pour une hauteur d'installation de 66 po (167,6 cm).

***Mesurer depuis le mur arrière jusqu'à l'endroit où la surface inférieure avant du four à micro-ondes doit l'être (dimension A).

En utilisant la plaque de montage fournie avec le produit :

Pour les armoires d'une profondeur inférieure à 12,75 po (32 cm), le four à micro-ondes peut dépasser de l'armoire (et le bord avant du modèle doit dépasser d'autant lors du marquage des trous de montage à percer dans l'armoire supérieure).

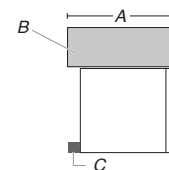
Pour les armoires de 12,75 po (32 cm) à 13 po (33 cm), le four à micro-ondes est en affleurement avec l'armoire.

REMARQUE: Il peut être nécessaire d'utiliser quelques rondelles fournies comme entretoises, entre la plaque de montage et le mur, pour obtenir une apparence plus « affleurante ».

Si la profondeur des armoires est plus de 13 po (33 cm), et jusqu'à 16 po (40,6 cm), utiliser l'ensemble de montage de bourrelet pour remplacer la plaque de montage fournie avec le produit. L'ensemble de montage de bourrelet (numéro de pièce – W11630300) n'est pas fourni.

Pour commander, voir la section « Information de commande en ligne » du Guide de démarrage rapide.

Pour d'autres dimensions d'armoire, nous suggérons de sélectionner d'autres produits Whirlpool.



- | |
|---|
| A. (Bourrelet) 13 po à 16 po (33 à 40,6 cm) de profondeur |
| B. Armoire |
| C. Support de montage de bourrelet |

Spécifications électriques

⚠ AVERTISSEMENT



Risque de décharge électrique

Brancher l'appareil sur une prise à 3 alvéoles reliée à la terre.

Ne pas enlever la prise de liaison à la terre.

Ne pas utiliser d'adaptateur.

Ne pas utiliser de rallonge.

Le non-respect de ces instructions peut causer un décès, un incendie ou une décharge électrique.

Observer les dispositions de tous les codes et règlements en vigueur.

Exigences :

- Alimentation de 120 V CA à 60 Hz et protégée par un fusible ou un disjoncteur temporisé de 15 ou 20 A seulement.

Recommandation :

- Fusible ou disjoncteur temporisé
- Circuit distinct exclusif au four à micro-ondes

INSTRUCTIONS DE LIAISON À LA TERRE

Pour un appareil avec liaison à la terre et cordon d'alimentation :

Cet appareil doit être relié à la terre. En cas d'anomalie de fonctionnement ou de panne, la liaison à la terre réduira le risque de décharge électrique en offrant au courant électrique un itinéraire d'évacuation de moindre résistance. L'appareil est doté d'un cordon électrique comportant un conducteur de mise à la terre d'équipement et une fiche de branchement de liaison à la terre. La fiche doit être branchée sur une prise de courant appropriée qui soit bien installée et reliée à la terre conformément à tous les codes et règlements locaux.

AVERTISSEMENT : Un raccordement inapproprié du conducteur de mise à la terre de l'équipement peut causer un risque de décharge électrique. En cas de doute quant à la qualité de la mise à la terre de l'appareil, consulter un électricien ou un technicien d'entretien qualifié. Ne pas modifier la fiche fournie avec cet appareil; si elle ne correspond pas à la prise de sortie, faire installer une prise appropriée par un électricien qualifié.

CONSERVER CES INSTRUCTIONS

Cet appareil est conforme à la norme ICES-001 d'Industrie Canada.

INSTALLATION

Préparation de l'ensemble four à micro-ondes/hotte

⚠ AVERTISSEMENT

Risque de poids excessif

Utiliser deux personnes ou plus pour déplacer et installer l'appareil.

Le non-respect de cette instruction peut causer une blessure au dos ou d'autres blessures.

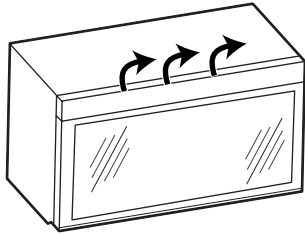
1. Couvrir la surface de travail pour éviter de l'endommager.
2. Retirer la plaque de carton de la mousse extérieure dans la boîte. Elle servira pour l'installation sur l'armoire supérieure et le mur.
3. Retirez l'emballage de vis de la mousse intérieure dans la cavité.
4. Retirer le clapet antiretour de la mousse intérieure dans la cavité.
5. Retirez la documentation de la mousse extérieure dans la boîte.
6. Retirez les matériaux d'emballage, le ruban adhésif et la pellicule protectrice du four à micro-ondes.
7. Retirez la plaque de montage de la mousse intérieure dans la cavité.
8. Utiliser du ruban adhésif pour immobiliser la porte fermée du four à micro-ondes, pour qu'elle ne puisse pas s'ouvrir durant les manutentions du four.

REMARQUE : Pour éviter d'endommager le four à micro-ondes, ne pas saisir et utiliser la porte ou la poignée de la porte pendant la manipulation du four à micro-ondes.

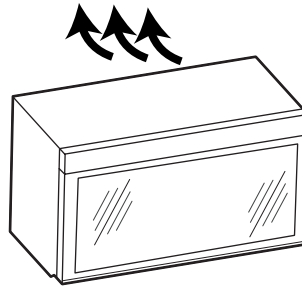
Type d'installation

Ce four à micro-ondes est conçu pour s'adapter aux trois types de ventilation suivants, choisir un type avant l'installation.

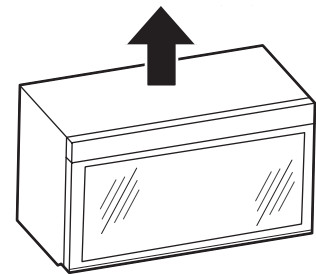
Recirculation
(Configuration d'usine par défaut)



Évacuation par le mur

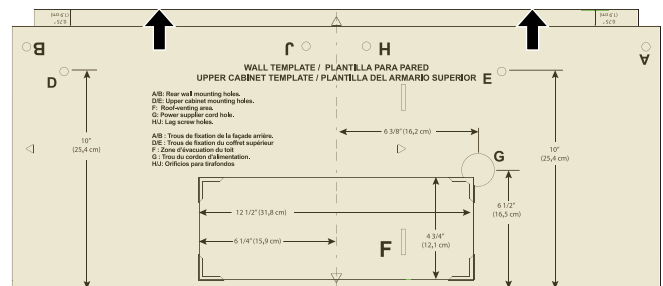


Évacuation par le toit



Trouver la plaque de carton

La plaque de carton sert comme gabarit pour le mur et l'armoire supérieure. La retirer si elle est située dans la mousse extérieure de la boîte. Il faut la trouver avant l'installation.



Trouver les montants de cloison

REMARQUE : S'il n'y a aucun poteau du colombage dans l'ouverture d'encastrement de l'armoire, ne pas installer le four à micro-ondes.

Voir les illustrations dans « Configurations possibles des montants de cloison ».

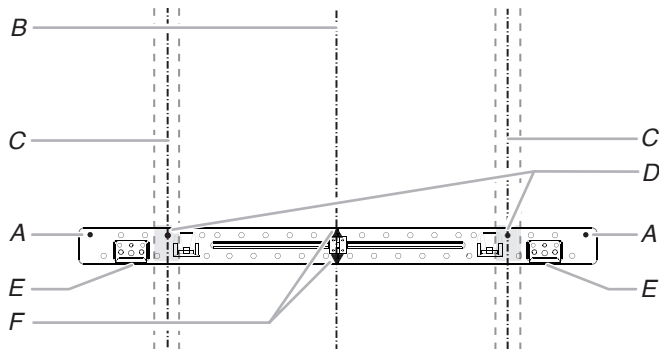
1. Utiliser un détecteur de montant pour localiser dans l'ouverture les bords des montants de cloison.
2. Marquer la position du centre de chaque montant de cloison et tracer l'axe de chaque montant à l'aide d'un fil à plomb. Voir les illustrations dans « Configurations possibles des montants de cloison ».

Configurations possibles des montants de cloison

Les illustrations ci-dessous présentent des exemples des configurations préférentielles d'installation avec la plaque de montage.

Aucun poteau du colombage à la position des trous d'extrémité

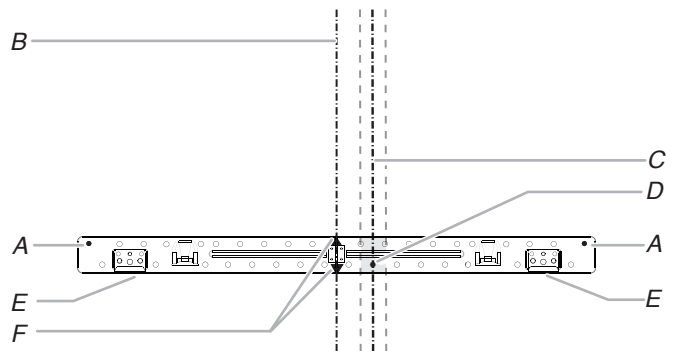
Figure 1



- A. Trous d'extrémité (sur la plaque de montage)
- B. Axe vertical central de l'ouverture dans l'armoire
- C. Axe vertical de montant de cloison
- D. Trous pour vis d'ancrage
- E. Pattes de support
- F. Marquage du centre sur plaque de montage

Aucun poteau du colombage à la position des trous d'extrémité

Figure 2

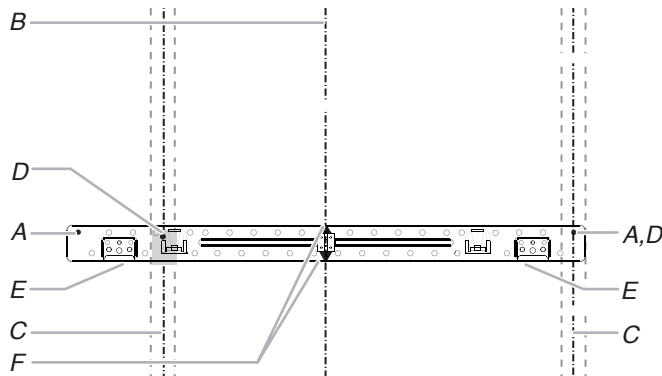


REMARQUE : Si le montant de cloison se trouve à moins de 6 po (15,2 cm) de l'axe central vertical, seule une installation sans évacuation à l'extérieur [recyclage] ou une installation avec évacuation à travers le toit peut être réalisée.

- A. Trous d'extrémité (sur la plaque de montage)
- B. Axe vertical central de l'ouverture dans l'armoire
- C. Axe vertical de montant de cloison
- D. Trous pour vis d'ancrage
- E. Pattes de support
- F. Marquage du centre sur plaque de montage

Montant de cloison à la position des trous d'extrémité

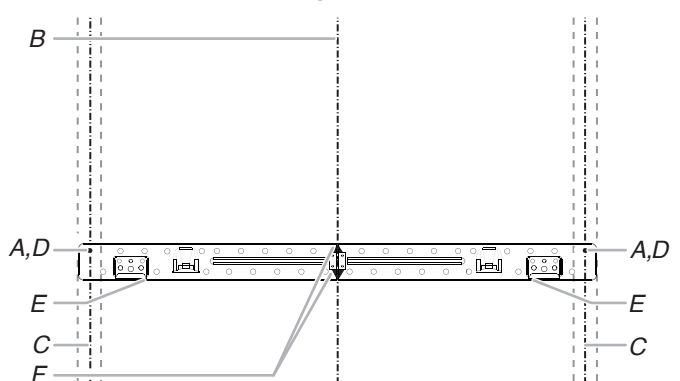
Illustration 3



- A. Trous d'extrémité (sur la plaque de montage)
- B. Axe vertical central de l'ouverture dans l'armoire
- C. Axe vertical de montant de cloison
- D. Trous pour vis d'ancrage
- E. Pattes de support
- F. Marquage du centre sur plaque de montage

Montant de cloison à la position des trous d'extrémité

Figure 4

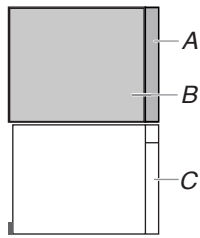


- A. Trous d'extrémité (sur la plaque de montage)
- B. Axe vertical central de l'ouverture dans l'armoire
- C. Axe vertical de montant de cloison
- D. Trous pour vis d'ancrage
- E. Pattes de support
- F. Marquage du centre sur plaque de montage

Trouver le point d'affleurement

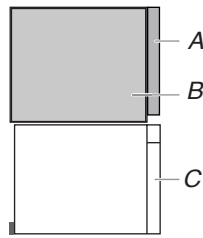
Ce produit est conçu pour être en affleurement avec l'armoire et le point d'affleurement doit être trouvé avant l'installation. Ne pas installer avec l'avant du four à micro-ondes situé derrière l'avant de l'armoire/la porte.

En affleurement avec la porte d'armoire



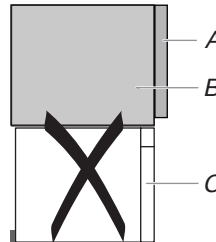
- A. Porte d'armoire
- B. Armoire
- C. Extérieur de la porte du four à micro-ondes

En affleurement avec la porte d'armoire



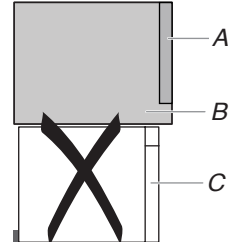
- A. Porte d'armoire
- B. Armoire
- C. Extérieur de la porte du four à micro-ondes

Ne pas installer avec l'avant du four à micro-ondes situé derrière l'avant de l'armoire/la porte.



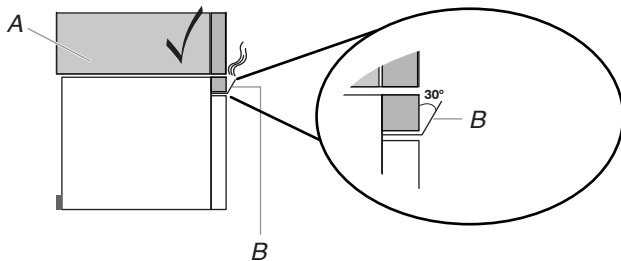
- A. Porte d'armoire
- B. Armoire
- C. Extérieur de la porte du four à micro-ondes

Ne pas installer avec l'avant du four à micro-ondes situé derrière l'avant de l'armoire/la porte.

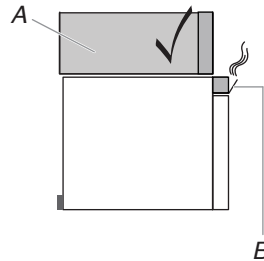


- A. Porte d'armoire
- B. Armoire
- C. Extérieur de la porte du four à micro-ondes

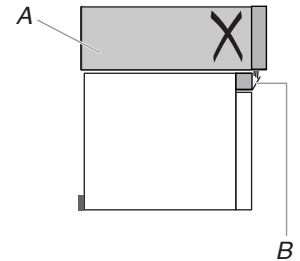
REMARQUE : Le déflecteur à grille s'ouvre automatiquement à 30° lorsque le four à micro-ondes utilise les fonctions de ventilation et de cuisson. Ne pas installer le four à micro-ondes avec le déflecteur de grille derrière l'avant de l'armoire/la porte sinon il bloquera la sortie d'air.



- A. Armoire
- B. Déflecteur à grille

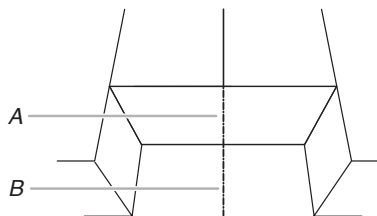


- A. Armoire
- B. Déflecteur à grille



Tracer sur l'armoire supérieure

- Utiliser un ruban à mesurer pour mesurer et marquer clairement la position de l'axe central vertical de l'ouverture. S'assurer qu'il s'aligne avec l'axe central vertical au mur.



A. Axe central de l'armoire supérieure
B. Axe central au mur

REMARQUE : La plaque de carton est utilisée pour l'installation dans une armoire d'une profondeur de 12 po à 13 po (30,4 cm à 33,02 cm), mais demande quelques réglages selon la profondeur.

Si la profondeur des armoires est plus de 13 po (33 cm), et jusqu'à 16 po (40,6 cm), utiliser l'ensemble de montage de bourrelet pour remplacer la plaque de montage fournie avec le produit. L'ensemble de montage de bourrelet (numéro de pièce – W11630300) n'est pas fourni.

Pour commander, voir la section « Information de commande en ligne » du Guide de démarrage rapide.

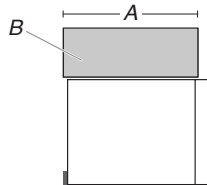
Voir les étapes suivantes 2, 3.

Si l'armoire a une profondeur de 12 po à 12 3/4 po (30,5 cm à 32,4 cm), suivre l'étape 3 :

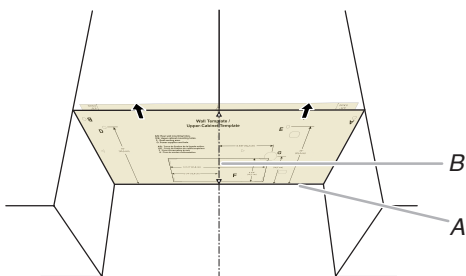
- Placer la plaque de carton contre le fond de l'armoire supérieure.

REMARQUES :

- S'assurer que le bord arrière de la plaque en carton s'aligne avec le mur et le bord arrière de l'armoire supérieure.
- S'assurer que les marques centrales de la plaque de carton s'alignent avec l'axe central de l'armoire supérieure dessiné à l'étape 1.
- S'assurer que les flèches sur la plaque de carton font face vers l'extérieur.



A. Moins de 12 3/4 po (32,4 cm) de profondeur
B. Armoire



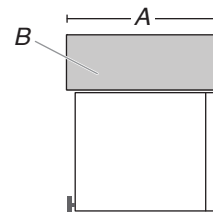
A. Bord arrière de la plaque de carton et bord arrière de l'armoire supérieure
B. Axe central de l'armoire supérieure et marques centrales sur la plaque de carton

Si la profondeur de l'armoire est de 12 3/4 po à 13 po (32,4 cm à 33 cm) de profondeur :

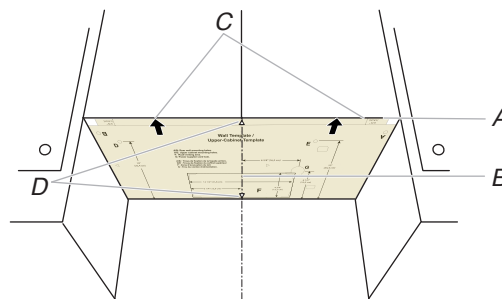
- Placer la plaque de carton contre le fond de l'armoire supérieure.

REMARQUES :

- S'assurer que le bord avant de la plaque de carton s'aligne avec le bord avant de l'armoire supérieure.
- S'assurer que les marques centrales de la plaque de carton s'alignent avec l'axe central de l'armoire supérieure dessiné à l'étape 1.



A. (Affleurant) 12 3/4 po à 13 po (32,4 cm à 33 cm) de profondeur
B. Armoire

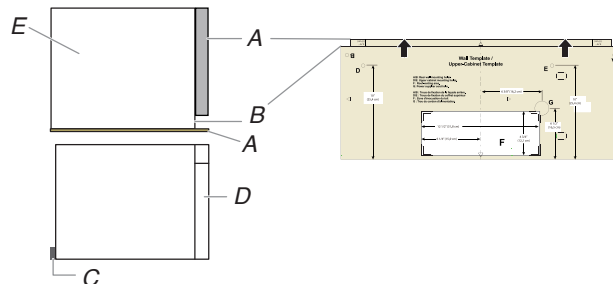


A. Bord avant de la plaque de carton et bord avant de l'armoire supérieure
B. Axe central de l'armoire supérieure
C. Flèches sur la plaque de carton
D. Marques centrales sur la plaque de carton

REMARQUE : Si les portes de l'armoire supérieure dépassent de l'armoire supérieure, la plaque de carton peut être positionnée pour ressortir et être en affleurant avec les portes de l'armoire supérieure.

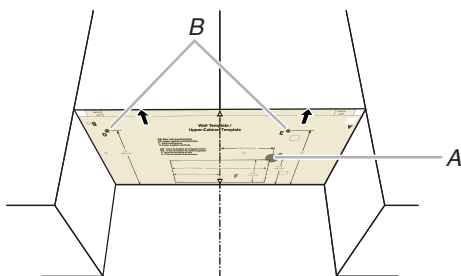
Par exemple, les portes de l'armoire supérieure sortent de 3/4 po (1,9 cm), il est possible de ressortir la plaque de carton de 3/4 po (1,9 cm) pour l'aligner avec l'armoire supérieure.

En affleurant avec la porte d'armoire



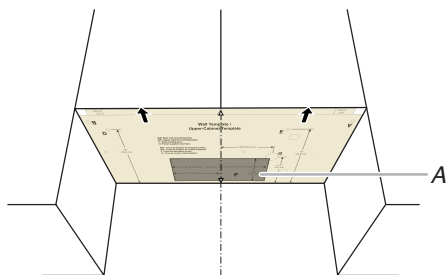
A. Bord avant de la plaque de carton et porte de l'armoire supérieure
B. Armoire supérieure et plaque de carton alignée à 0,75 po (1,9 cm)
C. Plaque de montage
D. Extérieur de la porte du four à micro-ondes
E. Armoire

4. Utiliser un crayon pour marquer le trou du cordon d'alimentation et les deux trous des écrous de montage.



A. Trou du cordon d'alimentation
B. Trous des écrous de montage

5. Utiliser un crayon pour marquer un trou d'évacuation dans l'armoire supérieure. Cette étape peut être sautée si l'appareil fait recirculer l'air ou effectue l'évacuation à travers le mur.

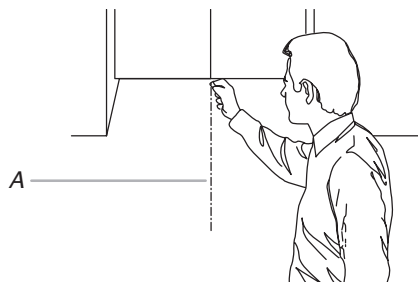


A. Trou de l'armoire supérieure

Marque sur le mur arrière

Le four à micro-ondes doit être fixé sur au moins 1 montant de cloison, mais de préférence sur 2 montants; on utilise pour cela au moins 1 vis d'ancrage, mais de préférence 2. Voir la section « Trouver le ou les montants du mur » pour trouver les montants du mur.

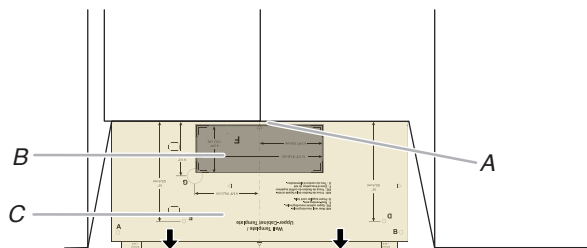
1. Utiliser un crayon pour marquer le trou du cordon d'alimentation et les deux trous des écrous de montage.



A. Axe central

2. Aligner les marques centrales de la plaque de carton avec l'axe central sur le mur en faisant attention qu'elles soient bien de niveau et que le haut du gabarit en carton est bien positionné bout à bout avec le bord arrière de l'armoire supérieure. (voir la **REMARQUE** ci-dessous avant de tracer).

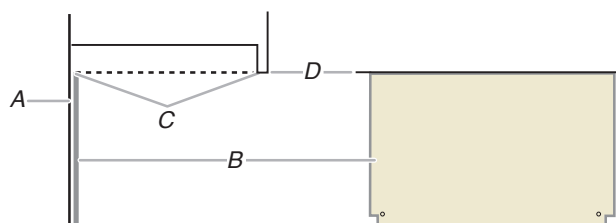
Marquer au crayon le trou d'évacuation sur le mur (pour installation avec évacuation murale seulement). Sauter cette étape si l'appareil effectue la recirculation de l'air ou si l'évacuation s'effectue par l'armoire supérieure.



A. Bord arrière de l'armoire supérieure
B. Trou d'évacuation à travers le mur
C. Plaque de carton

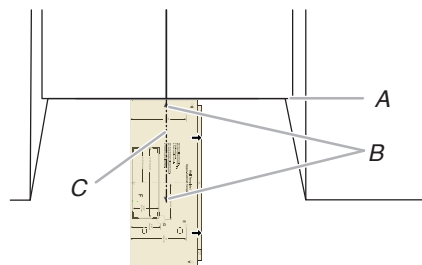
REMARQUE :

- Si le bord avant de l'armoire supérieure est plus bas que le bord arrière, abaisser le gabarit de carton de manière à ce que son sommet soit au même niveau que le bord avant de l'armoire.



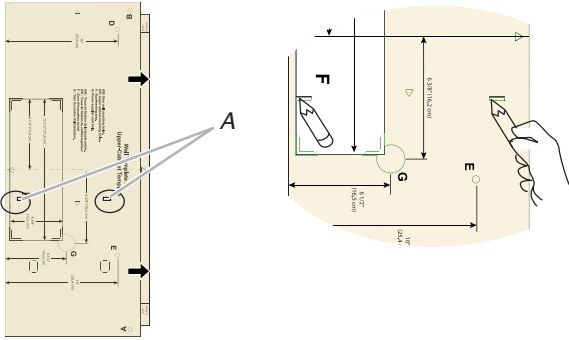
A. Mur arrière
B. Plaque de carton
C. Le haut de la plaque de carton doit s'aligner avec le bord avant de l'armoire
D. Bord avant de l'armoire supérieure

3. Mettre la plaque en carton à la verticale et la maintenir en place sur la paroi arrière tout en alignant les marques centrales latérales (B) sur la plaque en carton avec la ligne centrale verticale tracée à l'étape 1. S'assurer que la plaque de carton est de niveau et que le haut du gabarit de carton est bien positionné avec le bout du gabarit avec le bas de l'armoire supérieure.



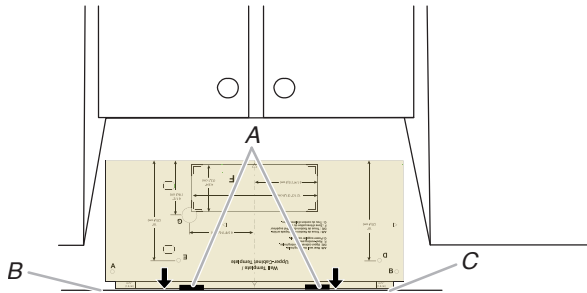
A. Bord inférieur de l'armoire supérieure et haut de la plaque de carton
B. Marques centrales latérales sur la plaque de carton
C. Axe central

4. Trouver et tracer les deux lignes de position (A) du bas sur la plaque en carton.



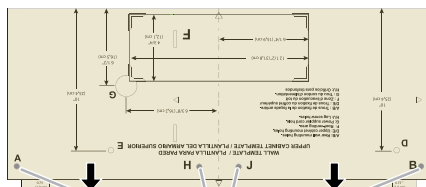
A. Ligne de position du bas de la plaque de carton

5. En utilisant le bord inférieur de la plaque en carton, l'aligner avec les deux petites lignes (A) et tracer une ligne (B) indiquant où le bord inférieur de la plaque de montage (C) doit se trouver.



A. Deux petites lignes
B. Ligne du bas de la plaque de carton
C. Bord inférieur de la plaque de montage

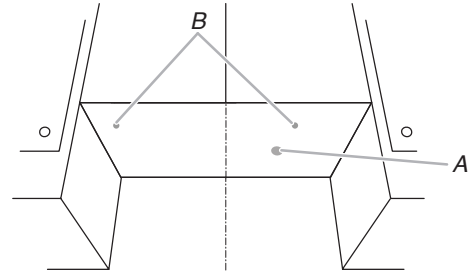
6. Dessiner quatre petits cercles à l'aide des trous A, B, H et J.



A & B & H & J holes

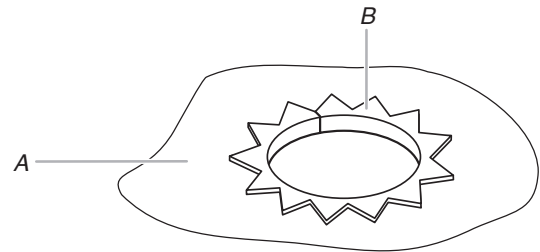
Percer les trous dans l'armoire supérieure

- À l'aide d'une perceuse, percer le trou du cordon d'alimentation (A).
- Percer deux trous pour écrou de montage (B) de 3/8 po (10 mm) aux points « D » et « E » du gabarit en carton. Ces trous sont utilisés pour le passage de deux vis de 1/4-20 x 3 po avec rondelles qui sont utilisées pour la fixation du four à micro-ondes contre l'armoire supérieure.



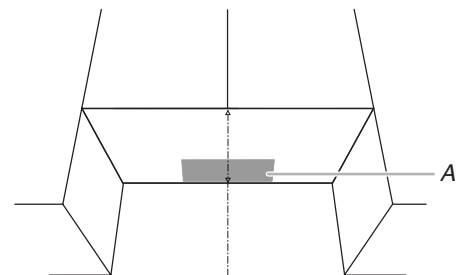
A. Trou du cordon d'alimentation
B. Trous des écrous de montage

REMARQUE : Si l'armoire supérieure est métallique, la bague pour cordon d'alimentation devra être installée autour du trou de passage du cordon d'alimentation – voir l'illustration.



A. Armoire métallique
B. Bague de cordon d'alimentation électrique

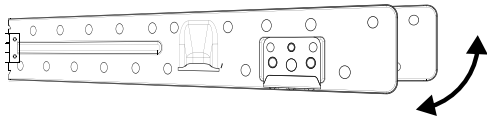
- À l'aide d'une scie à guichet, découper la zone rectangulaire pour le passage de la conduite d'évacuation par le toit. Passer cette étape si l'appareil est installé avec une recirculation ou une évacuation par le mur.



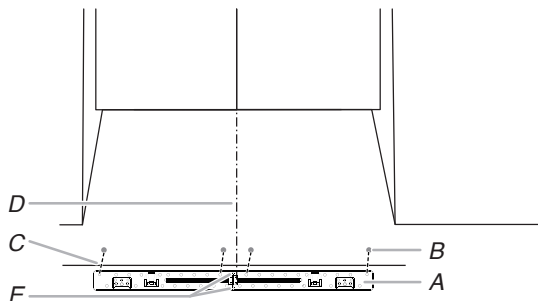
A. Zone de coupe pour l'évacuation par le toit

Perçage de trous dans le mur arrière

1. La plaque de montage est située à l'intérieur de la mousse interne de la cavité. Il faut la prendre. La plaque de montage est repliée, l'ouvrir à 180°.



2. Fixation de la plaque de montage au mur. S'assurer que les 4 trous de la plaque de montage s'alignent avec les trous A, B, H et J marqués dans la section « Marque sur le mur arrière » et que les marqueurs centraux de la plaque de montage sont alignés avec la marque centrale



- A. Plaque de montage
- B. Trous A, B, H et J
- C. Ligne du bas de la plaque de montage
- D. Marque centrale
- E. Marquage du centre sur plaque de montage

3. Percer des trous aux points A, B, H et J; si les montants de cloison ne se trouvent pas au niveau des trous A et B, ne pas percer des trous aux points A et B et suivre les instructions ci-dessous.

En plus d'être fixé sur au moins un montant de cloison, on doit également fixer la plaque de montage sur le mur au niveau des deux trous d'extrémité. Si la position des trous ne coïncide pas avec des montants de la cloison, utiliser deux vis à tête ronde de 3/16-24 x 3 po avec écrou articulé; s'il y a un trou d'extrémité qui coïncide avec les montants de la cloison, utiliser une vis d'ancrage et une vis à tête ronde de 3/16-24 x 3 po avec écrou articulé; si les deux trous coïncident avec les montants de la cloison, utiliser deux vis d'ancrage. 3 configurations d'installation sont présentées ci-dessous.

Installation s'il n'y a aucun montant de cloison aux trous d'extrémités

(illustrations 1 et 2 dans la section Trouver les montants de cloison)

1. Percer des trous de 5/8 po (1,6 cm) à travers le mur à l'emplacement des deux trous d'extrémité marqués à l'étape 3 de la section « Tracer sur le mur arrière ».
2. Percer des trous de 3/16 po (5 mm) dans les montants de cloison à l'emplacement des trous marqués à l'étape 6 de la section « Marque sur le mur arrière. » Voir les illustrations 1 et 2 du point « Configurations possibles des montants de cloison » à la section « Identifier la position du/des montants de cloison ».

Installation s'il y a un montant de cloison à un trou d'extrémité

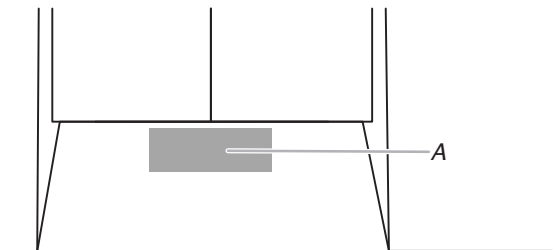
(Illustration 3 dans la section Trouver les montants de cloison)

1. Percer un trou de 3/16 po (5 mm) à travers le montant à l'emplacement du trou d'angle marqué à l'étape 3 dans « Tracer sur le mur arrière ».
2. Si on souhaite fixer l'appareil sur un second montant de cloison, percer un trou de 3/16 po (5 mm) dans le montant à l'emplacement de l'autre trou marqué à l'étape 6 dans « Tracer sur le mur arrière ». Voir la figure 3 de la partie « Configurations possibles des montants de cloison » de la section « Identifier la position des montants de la cloison ».
3. Percer un trou de 5/8 po (1,6 cm) à travers le mur, à l'autre extrémité.

Installation s'il y a un montant de cloison aux deux trous d'extrémités

(Illustration 4 dans la section Trouver les montants de cloison)

1. Percer des trous de 3/16 po (5 mm) à travers le montant à l'emplacement des trous d'angle marqués à l'étape 3 dans la section « Tracer sur le mur arrière ».
4. À l'aide d'une scie à guichet, découper la zone rectangulaire pour le passage de la conduite d'évacuation à travers le mur. Passer cette étape si l'appareil est installé avec une recirculation ou une évacuation à travers le plafond.

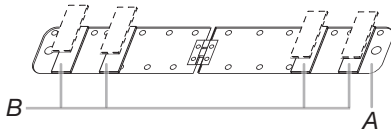


A. Zone de coupe pour l'évacuation à travers le mur

Fixation de la plaque de montage au mur

1. Positionner la plaque de montage sur le mur.

REMARQUE : Si la profondeur de l'armoire est légèrement supérieure à 13 po (33 cm), il peut être nécessaire d'utiliser un certain nombre d'entretoises fournies entre la plaque de montage et le mur, afin d'obtenir un aspect plus « en affleurement ». Coller les entretoises avant de positionner la plaque de montage sur le mur.



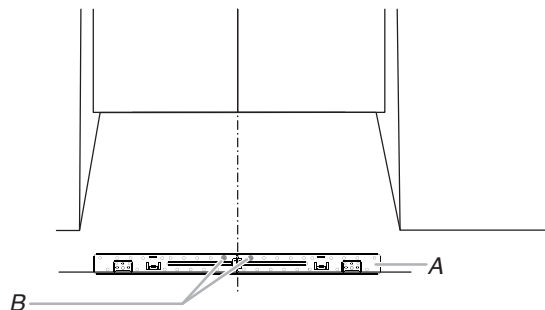
A. Plaque de montage
B. Entretoise de 1/16 po (1,6 mm) d'épaisseur

Profondeur de l'armoire	Plaque de montage
12 po à 13 po (30,5 cm à 33 cm)	Plaque de montage
13 1/16 po (33,2 cm)	Plaque de montage + 4 entretoises
13 1/8 po (33,3 cm)	Plaque de montage + 8 entretoises

2. Fixer la plaque de montage sur le mur; utiliser les organes de fixation appropriés dans les deux trous d'extrémité percés dans les montants de cloison ou à travers le panneau de gypse – vis à tête ronde de 3/16 – 24 x 3 po avec écrou articulé ou tirefond de 1/4 po x 2 po.

Voir les illustrations du point « Configurations possibles du colombage mural » dans la section « Identification de la position des montants de cloison » et suivre les sections suivantes « Aucun montant de cloison ne coïncide avec les trous d'extrémité (Illustrations 1 et 2 de la section Trouver les montants de cloison) » ou « montant de cloison à un trou d'extrémité (Illustration 3 dans la section Trouver les montants de cloison) ».

3. Insérer les vis d'ancrage dans les deux trous d'extrémité.
4. Contrôler l'alignement de la plaque de montage; veiller à établir un bon aplomb.
5. Placer les vis des deux trous d'extrémités.
6. Fixer la plaque de montage au mur aux trous H et J en utilisant deux tirefonds de 1/4 po x 2 po.

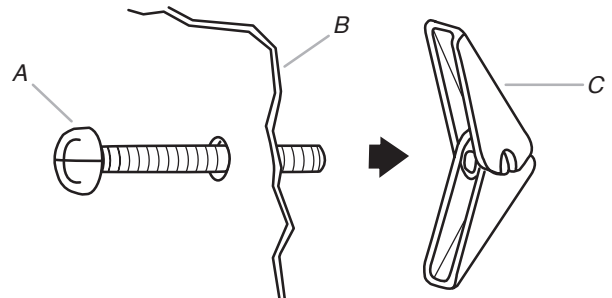


A. Plaque de montage
B. Trous H et J

Aucun montant de cloison aux trous d'extrémités (Illustrations 1 et 2 dans la section Trouver les montants de cloison)

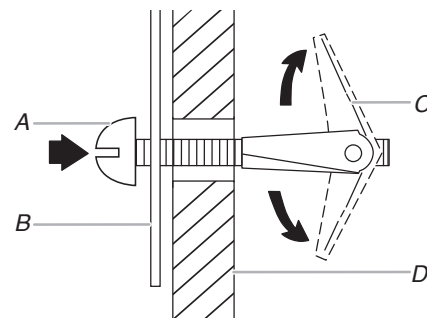
REMARQUE : La plaque de montage doit être fixée sur le mur à au moins un montant de cloison, ainsi qu'aux deux extrémités.

1. Alors que les pattes de support de la plaque de montage sont orientées vers l'avant, insérer des vis à tête ronde de 3/16-24 x 3 po dans les deux trous d'extrémité de la plaque de montage.
2. Engager un écrou articulé sur chaque vis par l'arrière de la plaque de montage. Veiller à disposer de suffisamment d'espace pour que les écrous articulés puissent traverser le panneau de gypse et se déployer à l'intérieur de la cavité murale.



A. Vis à tête ronde de 3/16 – 24 x 3 po
B. Plaque de montage
C. Écrou articulé

3. Positionner la plaque de montage sur le mur.
4. Pousser les deux vis avec écrou articulé à travers le panneau de gypse; visser les vis à la main pour vérifier que chaque écrou articulé s'est déployé et prend appui contre le panneau de gypse.



A. Vis à tête ronde de 3/16 – 24 x 3 po
B. Plaque de montage
C. Écrou articulé
D. Panneau de gypse

5. Insérer les tirefonds dans les trous percés dans les montants de cloison à l'étape 2 du paragraphe « Installation lorsqu'aucun montant de cloison ne coïncide avec les trous d'extrémité » de la section « Perçage de trous dans le mur arrière ».
6. Contrôler l'alignement de la plaque de montage; veiller à établir un bon aplomb.
7. Serrer solidement tous les écrous et tirefonds.

Un montant de cloison à un trou d'extrémité (Illustration 3 dans la section Trouver les montants de cloison)

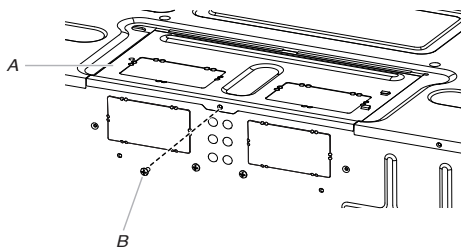
1. Alors que les pattes de support de la plaque de montage sont orientées vers l'avant, insérer une vis à tête ronde de 3/16-24 x 3 po dans le trou d'angle coïncidant avec le trou de 5/8 po (16 mm) percé à l'étape 3 du paragraphe « Installation avec un montant de cloison coïncident avec un trou d'extrémité » de la section « Perçage de trous dans le mur arrière ».
2. Engager un écrou articulé sur la vis par l'arrière de la plaque de montage. Veiller à disposer de suffisamment d'espace pour que l'écrou articulé puisse traverser le panneau de gypse et se déployer à l'intérieur de la cavité murale.
3. Positionner la plaque de montage sur le mur.
4. Pousser la vis avec écrou articulé à travers le panneau de gypse; visser la vis à la main pour vérifier que chaque écrou articulé s'est déployé et prend appui contre le panneau de gypse.
5. Insérer un tirefond dans le trou d'extrémité restant.
6. S'il est possible de fixer également l'appareil sur un second montant de cloison, insérer une vis d'ancrage dans l'autre trou percé à l'étape 2 du paragraphe « Installation avec un montant de cloison coïncident avec un trou d'extrémité » de la section « Perçage de trous dans le mur arrière ».
7. Contrôler l'alignement de la plaque de montage; veiller à établir un bon aplomb.
8. Serrer solidement toutes les pièces d'ancrage.

Réorientation du moteur du ventilateur

Cette section comprend l'installation avec évacuation à travers le mur ou le toit. Ces deux installations demandent de réorienter le moteur du ventilateur. Sélectionner un type d'évacuation avant d'installer le four à micro-ondes. Suivre les instructions appropriées pour réorienter le moteur du ventilateur. Pour une installation avec recirculation, le moteur du ventilateur n'a pas besoin d'être réorienté, cette section peut être passée.

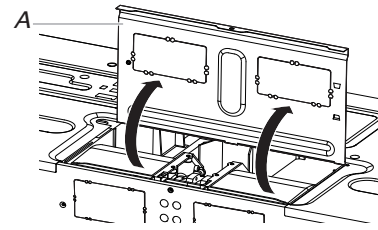
Réorientation du moteur du ventilateur pour une installation avec évacuation à travers le mur

1. Retirer les vis fixant la plaque de support du clapet à la partie arrière du four à micro-ondes et les garder pour plus tard.



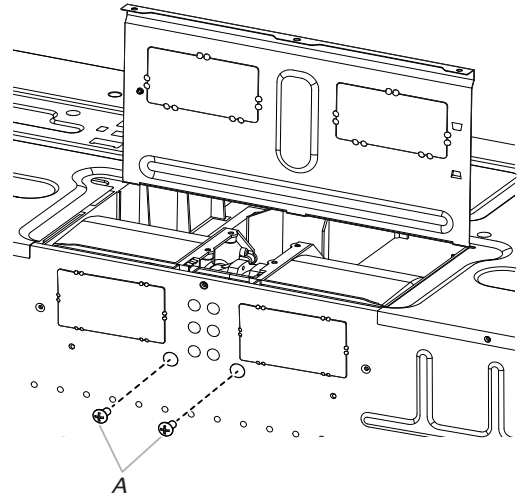
A. Plaque de support du clapet
B. Vis

2. Tourner et maintenir la plaque de support du clapet à la verticale, comme illustré.



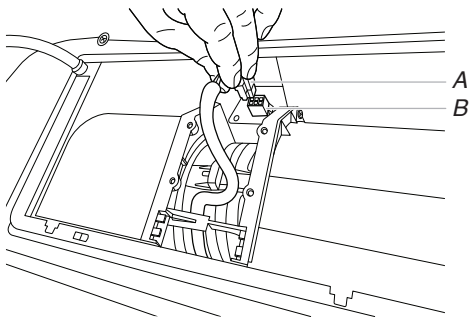
A. Plaque de support du clapet

3. Retirer 2 vis de ventilateur fixant le moteur du ventilateur au four à micro-ondes et les garder pour plus tard.



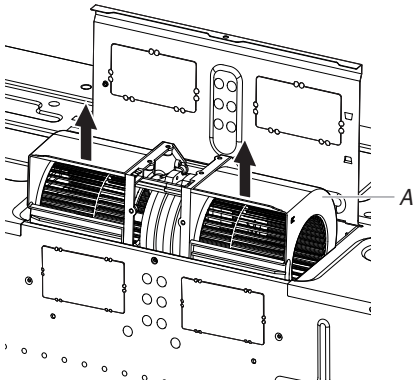
A. Vis du ventilateur

4. Débrancher le fil du moteur de ventilateur du connecteur.



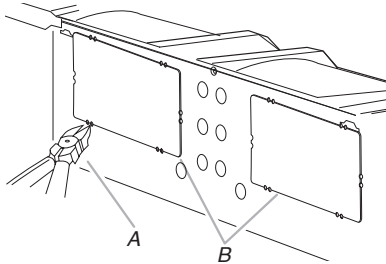
A. Fil du moteur de ventilateur
B. Connecteur

5. Sortir le moteur du four à micro-ondes et le garder pour plus tard.



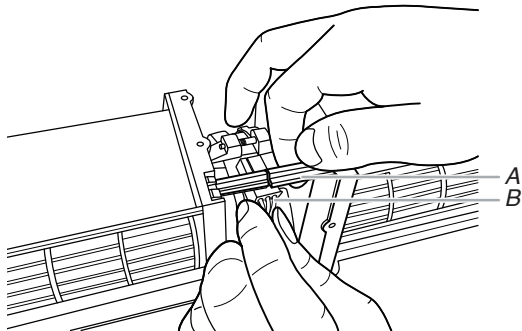
A. Moteur de ventilateur

6. Utiliser une pince coupante pour découper doucement les points de fixation rectangulaires des couvercles de fermeture.



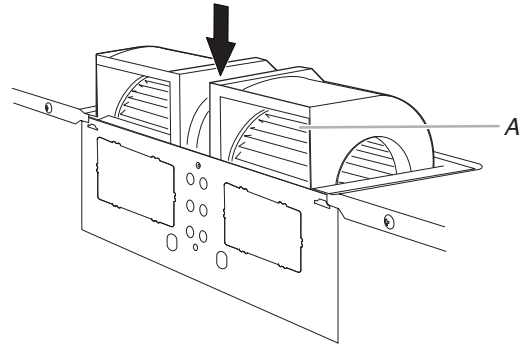
A. Pince coupante
B. Couvercles de fermeture rectangulaire du clapet antiretour

7. Tenir le fil du moteur, placer le fil à travers le pont du moteur de ventilateur.



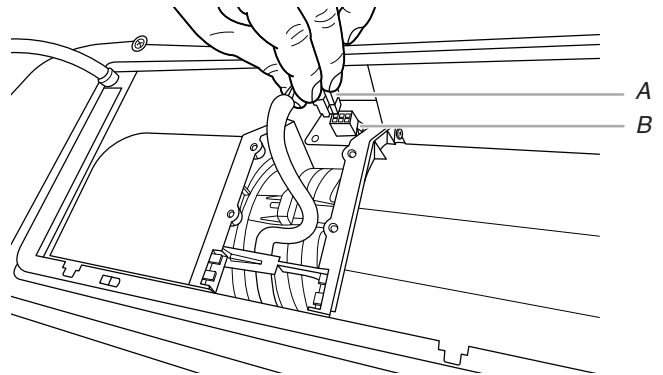
A. Pont du moteur de ventilateur
B. Fil du moteur de ventilateur

8. Abaisser le moteur de ventilateur pour le réinsérer dans le four à micro-ondes. L'orifice de sortie fait face vers l'arrière du four à micro-ondes.



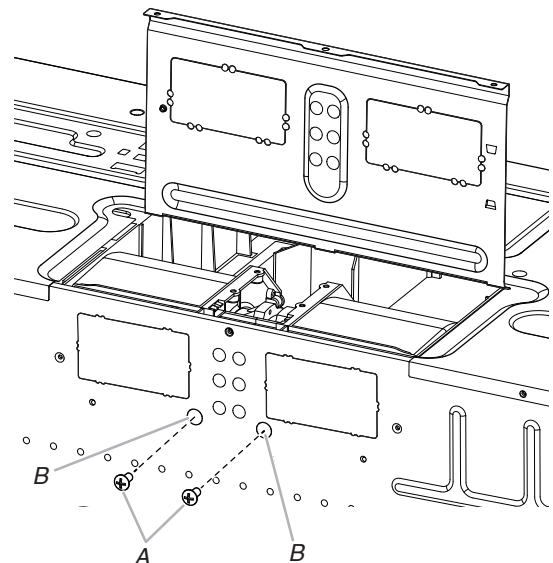
A. Orifice de sortie

9. Rebrancher le fil du moteur de ventilateur dans le connecteur.



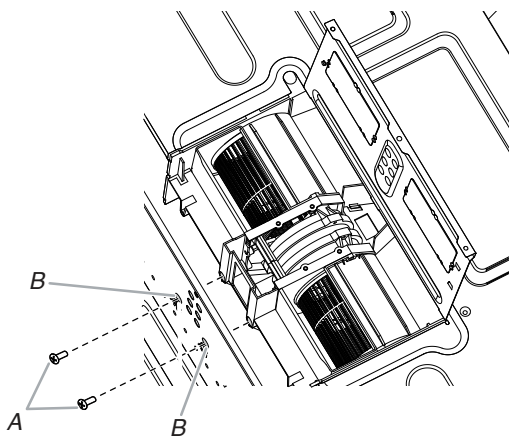
A. Fil du moteur de ventilateur
B. Connecteur

10. Fixer de nouveau les 2 vis du ventilateur dans les trous encastrés situés à l'arrière du four à micro-ondes.



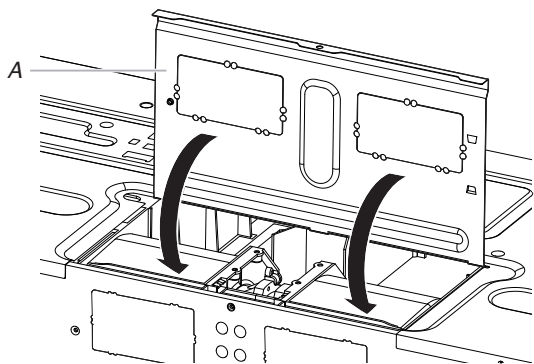
A. Vis
B. Trous

11. S'assurer que les 2 vis sont bien fixées dans les trous de vis du moteur de ventilateur pour que le moteur ne puisse pas bouger.



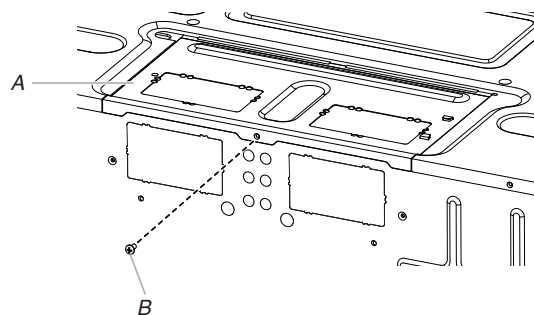
A. Vis
B. Trous de vis du moteur de ventilateur

12. Remettre la plaque de support du clapet à sa position horizontale d'origine.



A. Plaque de support du clapet

13. Fixer la plaque de support du clapet à l'aide des 2 vis qui ont été retirées à l'étape 1.



A. Plaque de support du clapet
B. Vis

⚠ AVERTISSEMENT



Risque de décharge électrique

Brancher l'appareil sur une prise à 3 alvéoles reliée à la terre.

Ne pas enlever la prise de liaison à la terre.

Ne pas utiliser d'adaptateur.

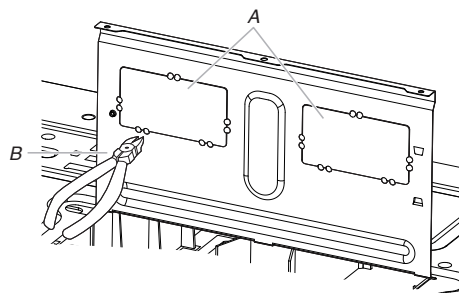
Ne pas utiliser de rallonge.

Le non-respect de ces instructions peut causer un décès, un incendie ou une décharge électrique.

14. Brancher le four à micro-ondes. Vérifier si le ventilateur produit un son anormal, passer en revue les différentes étapes pour découvrir laquelle aurait été oubliée.

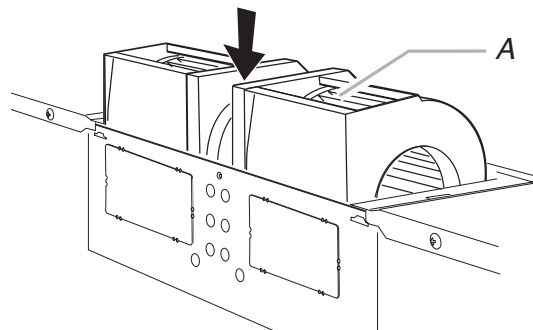
Réorientation du moteur du ventilateur pour une installation avec évacuation à travers le toit

1. Répéter les étapes 1 à 5 du point « Installation avec évacuation murale uniquement. »
2. Utiliser une pince coupante diagonale pour découper doucement les couvercles du conduit rectangulaire aux perforations du clapet antiretour.



A. Couvercles de fermeture rectangulaire
B. Pince coupante

3. Abaisser le moteur de ventilateur pour le réinsérer dans le four à micro-ondes. Les orifices de sortie font face vers le haut du four à micro-ondes.

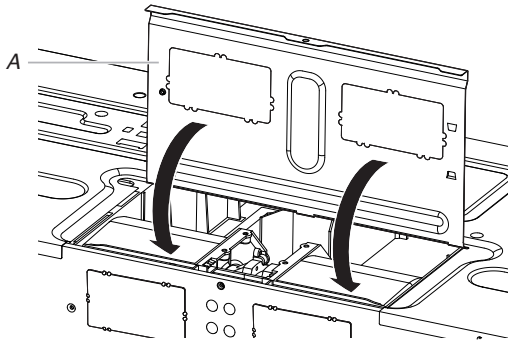


A. Orifice de sortie

IMPORTANT : Si le moteur du ventilateur n'est pas positionné avec le côté plat orienté vers l'arrière du four à micro-ondes (comme illustré), le rendement sera médiocre.

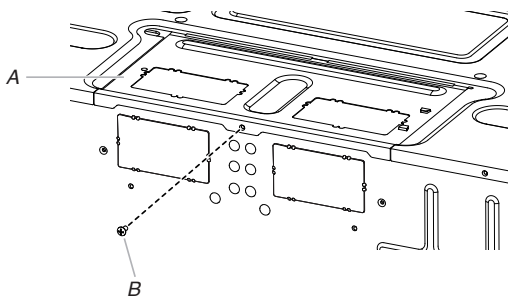
4. Rebrancher le fil du moteur de ventilateur dans le connecteur.

- Fixer de nouveau les 2 vis du ventilateur dans les trous encastrés situés à l'arrière du four à micro-ondes.
- S'assurer que les 2 vis sont bien fixées dans les trous de vis du moteur de ventilateur pour que le moteur ne puisse pas bouger.
- Remettre la plaque de support du clapet à sa position horizontale d'origine.



A. Plaque de support du clapet

- Fixer la plaque de support du clapet à l'aide des vis qui ont été retirées à l'étape 1.



A. Plaque de support du clapet
B. Vis

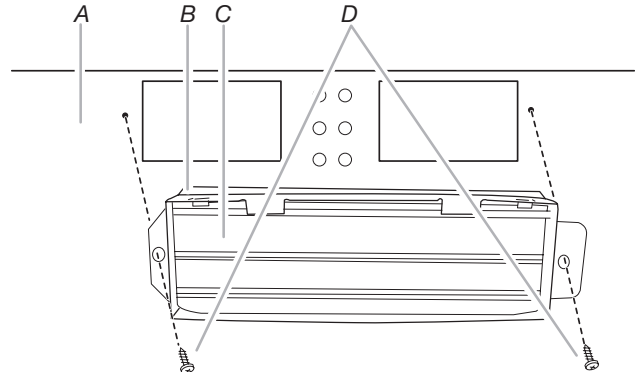
- Répéter l'étape 14 du point « Installation avec évacuation murale uniquement ».

Installation du clapet antiretour

Si l'installation s'effectue avec une recirculation, le clapet antiretour n'est pas nécessaire, cette section peut être sautée. Le garder pour une utilisation ultérieure.

Installation du clapet pour une installation avec évacuation à travers le mur

- Vérifier que la plaque du clapet s'ouvre librement et complètement.
- Positionner le clapet anti-retour sur le dos du four à micro-ondes de manière à ce que la charnière de la lame du clapet anti-retour soit en haut et que le clapet anti-retour s'ouvre à l'écart du four à micro-ondes.



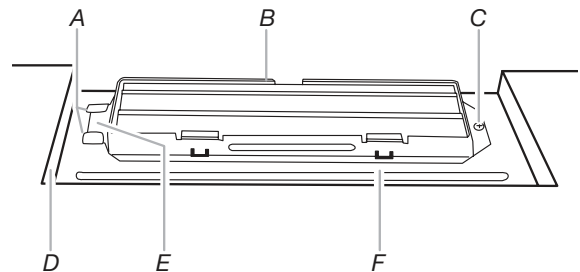
A. Arrière du four à micro-ondes
B. Clapet antiretour
C. Lame du clapet antiretour
D. Vis à tôle no 6 x 3/8 po

- Fixer le registre à l'aide de deux vis de tôlerie n° 6 x 3/8 po.

Installation du clapet pour une installation avec évacuation à travers le toit

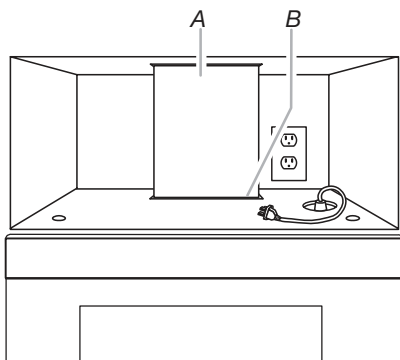
- Vérifier que la plaque du clapet s'ouvre librement et complètement.
- Insérer le registre à travers l'ouverture découpée dans l'armoire, de telle manière que la patte longue du registre puisse glisser sous les pattes d'arrimage relevées de la plaque du registre. Fixer ensuite le clapet avec une vis à tôle no 6 x 3/8 po.

REMARQUE : Il n'est pas possible d'installer la vis si le clapet n'est pas positionné comme on le voit sur l'illustration.



A. Pattes relevées
B. Clapet antiretour
C. Vis à tôle no 6 x 3/8 po
D. Ouverture découpée dans l'armoire supérieure
E. Patte longue
F. Plaque de support du clapet

3. Connecter le conduit d'évacuation au clapet.



A. Système d'extraction
B. Module du clapet anti-reflux (sous le conduit d'évacuation)

Installation du four à micro-ondes

⚠ AVERTISSEMENT

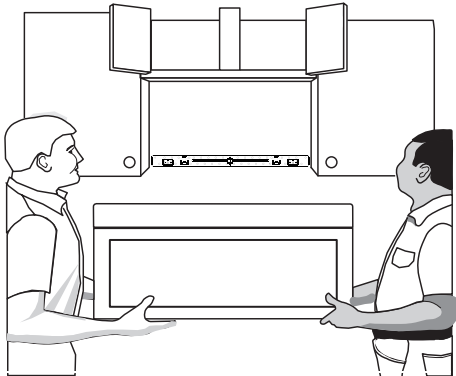
Risque de poids excessif

Utiliser deux personnes ou plus pour déplacer et installer l'appareil.

Le non-respect de cette instruction peut causer une blessure au dos ou d'autres blessures.

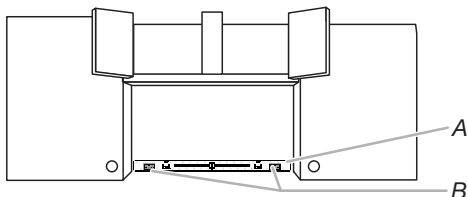
IMPORTANT : Le côté de l'appareil où se trouve la commande est le plus lourd. Manipuler le four à micro-ondes délicatement.

1. Placer une rondelle sur chaque vis à tête plate de 1/4–20 x 3 po; placer les vis à l'intérieur de l'armoire supérieure, à proximité des trous de 3/8 po (10 mm).
2. Vérifier que la porte du four à micro-ondes est fermée, et qu'elle est immobilisée par du ruban adhésif.



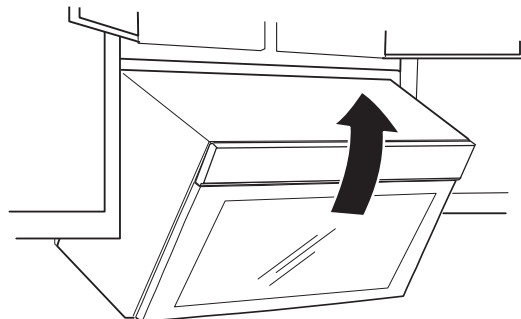
3. À l'aide de 2 personnes ou plus, soulever le four à micro-ondes et le suspendre aux pattes de support situées en bas de la plaque de montage.

REMARQUE : Pour éviter d'endommager le four à micro-ondes, ne pas saisir et utiliser la porte ou la porte pendant la manipulation du four à micro-ondes.



A. Plaque de montage
B. Pattes de support

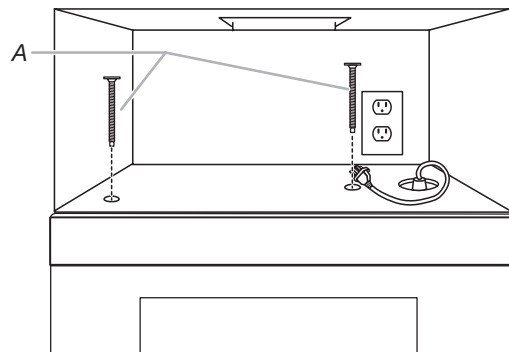
4. Alors que l'avant du four à micro-ondes est encore incliné, enfiler le cordon d'alimentation à travers le trou de passage percé dans le fond de l'armoire supérieure.



5. Redresser le four à micro-ondes vers l'armoire supérieure.
REMARQUE : En cas d'évacuation à travers le mur, veiller à ce que le clapet s'insère facilement dans le conduit dans l'ouverture du mur.
6. Pousser le four à micro-ondes contre la plaque de montage; maintenir le four en
REMARQUE : Si aucun autre ajustement de la position du four à micro-ondes n'est nécessaire, passer les étapes 6 à 8.
7. Si un ajustement est nécessaire, faire pivoter le four à micro-ondes vers le bas. À l'aide de 2 personnes ou plus, soulever le four à micro-ondes et le dégager de la plaque de montage; placer le four à part sur une surface protégée.
8. Desserrer les vis de la plaque de montage. Ajuster la plaque de montage et resserrer les vis.
9. Répéter les étapes 3 à 6.
10. Alors que le four à micro-ondes est centré, et tandis qu'au moins une personne le maintient en place, insérer les vis à travers l'armoire supérieure et dans le four à micro-ondes. Serrer les vis jusqu'à ce qu'il ne reste aucun espace entre l'armoire supérieure et le four à micro-ondes.

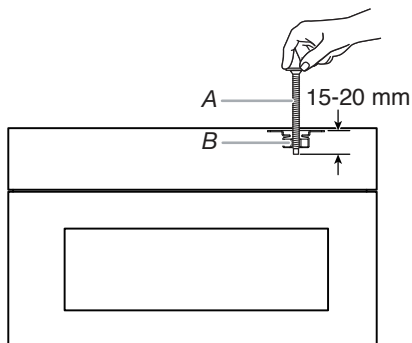
REMARQUES :

- Certaines configurations des armoires supérieures nécessitent l'emploi de vis plus longues ou plus courtes que 3 po (7,6 cm). Acheter les vis nécessaires (plus longues ou plus courtes) dans une quincaillerie locale.
- Un serrage excessif des vis peut provoquer une déformation (gauchissement) du sommet du four à micro-ondes. Pour éviter un gauchissement, on peut ajouter des cales d'appui en bois (l'installateur les fournit). L'épaisseur des cales doit correspondre à l'épaisseur de l'espace résiduel entre le fond de l'armoire supérieure et le four à micro-ondes.



A. Vis

- Pour éviter d'endommager l'écrou de montage, vissez d'abord les vis dans les trous d'écrou de montage à la main de profondeur d'environ de 15 à 20 mm, en veillant à ce que les vis s'enfilent correctement. Serrer ensuite les vis à l'aide d'un outil.



A. Vis
B. Écrou de montage

Achever l'installation

1. Vérifier que toutes les pièces sont maintenant installées. S'il reste une pièce, passer en revue les différentes étapes pour découvrir laquelle aurait été oubliée.
2. Éliminer/recycler tous les matériaux d'emballage.

⚠ AVERTISSEMENT



Risque de décharge électrique

Brancher l'appareil sur une prise à 3 alvéoles reliée à la terre.

Ne pas enlever la prise de liaison à la terre.

Ne pas utiliser d'adaptateur.

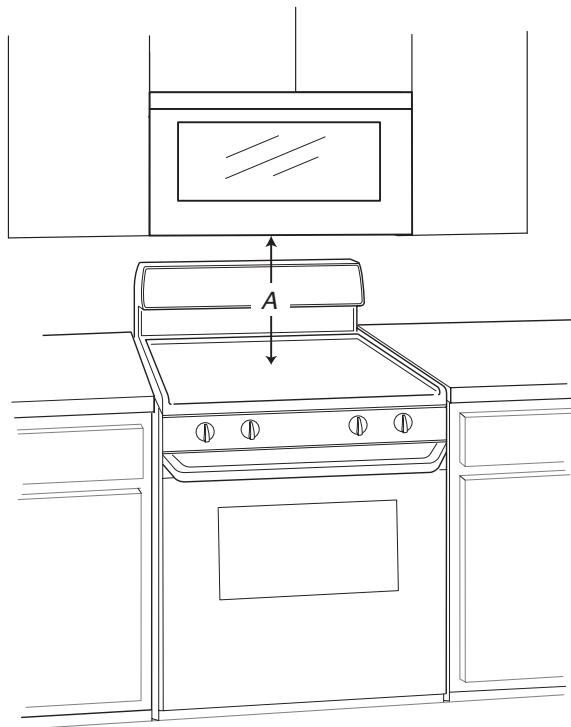
Ne pas utiliser de rallonge.

Le non-respect de ces instructions peut causer un décès, un incendie ou une décharge électrique.

3. Brancher le four à micro-ondes sur une prise à trois alvéoles reliée à la terre.
4. Rebrancher l'alimentation.
5. Contrôler le fonctionnement du four à micro-ondes : placer 1 récipient contenant 250 mL d'eau dans la cavité et programmer une période de chauffage de 1 minute à la puissance maximale (100 %). Faire fonctionner le ventilateur d'extraction pour tester son fonctionnement.
6. Vérifier que la porte d'aération s'ouvre automatiquement.
7. Si le four à micro-ondes ne fonctionne pas :
 - Déterminer si un fusible est grillé ou si un disjoncteur est déclenché. Remplacer le fusible ou réenclencher le disjoncteur. Si le problème persiste, appeler un électricien.
 - Vérifier que le cordon d'alimentation est correctement branché sur une prise triphasée reliée à la terre.
 - Voir les Instructions d'installation pour les renseignements de dépannage.

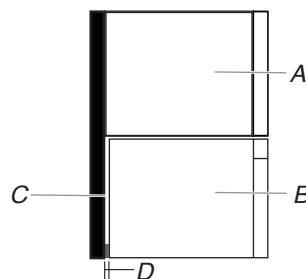
L'installation est maintenant terminée.

Conserver les instructions d'installation pour une éventuelle réutilisation future.



A. La hauteur entre le point le plus élevé de la cuisinière et le bas du four à micro-ondes.

Minimum	Recommandation
12 1/8 po (30,8 cm)	18 1/8 po (46 cm)



- A. Armoire
B. Four à micro-ondes
C. Mur ou arrière de l'armoire
D. 1/2 po à 3/4 po (1,3 à 1,9 cm)

SPÉCIFICATION DE LA CONCEPTION DU CIRCUIT D'ÉVACUATION

Spécification de la conception du circuit d'évacuation

Cette section présente de l'information de référence uniquement, à l'intention des architectes/concepteurs et constructeurs.

REMARQUES :

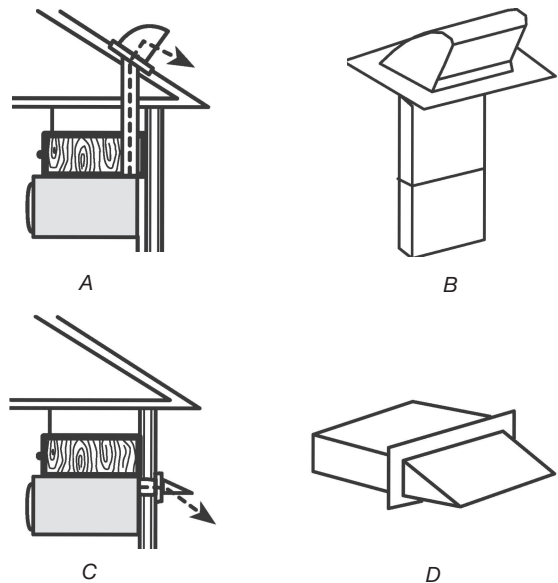
- Les matériaux du circuit d'évacuation nécessaires à l'installation ne sont pas fournis avec l'ensemble four à micro-ondes/hotte.
- On déconseille l'emploi d'un conduit métallique flexible.
- Pour éviter d'éventuelles détériorations du produit, veiller à ce que l'air aspiré soit déchargé à l'extérieur sauf dans le cas d'une installation avec recyclage. Veiller à ce que l'air aspiré ne soit pas déchargé dans espace fermé dissimulé (cavité dans une cloison), au-dessus du plafond, grenier, vide sanitaire ou garage.

Recommandations pour un circuit d'évacuation optimal :

- Utiliser une bouche d'évacuation (murale ou sur toit) comportant un registre antirefoulement.
- Utiliser un conduit métallique rigide.
- Utiliser l'itinéraire d'acheminement le plus direct; réduire la longueur du circuit et le nombre de coudes pour obtenir un fonctionnement efficace
- Utiliser des conduits de taille uniforme.
- Assurer l'étanchéité de toutes les jointures des conduits avec du ruban adhésif pour conduits.
- Utiliser un composé de calfeutrage pour assurer l'étanchéité autour de la bouche d'évacuation (murale ou sur toit).
- Ne pas connecter ensemble 2 raccords coudés, pour optimiser la performance de la hotte.

Dans le cas de l'évacuation à travers le mur, veiller à disposer de l'espace libre suffisant à l'intérieur du mur pour que la plaque du registre puisse s'ouvrir complètement.

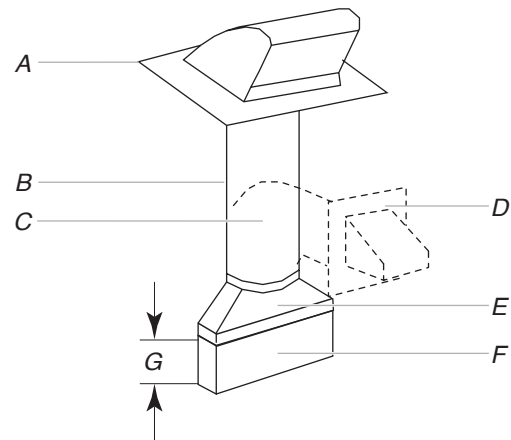
Dans le cas de l'évacuation à travers le toit, si on doit utiliser un raccord de transition (de rectangulaire à rond), veiller à disposer d'un espace libre d'au moins 3 po (7,6 cm) entre le sommet du four à micro-ondes et le raccord de transition. Voir l'illustration « Raccord de transition rectangulaire/rond ».



A. Évacuation à travers le toit C. Évacuation à travers le mur
B. Bouche d'évacuation sur toit D. Bouche d'évacuation murale

Raccord de transition rectangulaire/rond

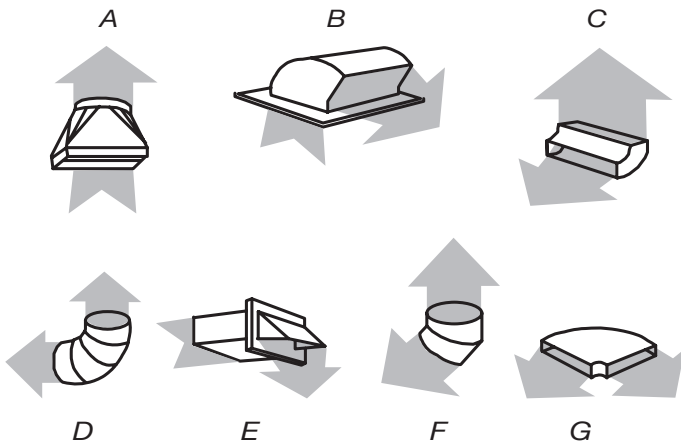
REMARQUE : On doit disposer d'un espace libre de 3 po (7,6 cm) ou plus entre le sommet du four à micro-ondes et le raccord de transition rectangulaire/rond pour que le clapet antiretour puisse bouger librement et complètement.



A. Bouche d'évacuation sur toit
B. Conduit rond dia. 6 po (152 mm) minimum
C. Coude (pour évacuation murale uniquement)
D. Bouche d'évacuation murale
E. Raccord de transition rectangulaire/rond de 3 1/4 po x 10 po à diamètre de 6 po (8,3 cm x 25,4 cm à 15,2 cm)
F. Raccord d'extension, longueur de 3 po (7,6 cm) min.
G. 3 po (7,6 cm)

Raccords standard recommandés

Les longueurs équivalentes suivantes doivent être utilisées pour calculer la longueur du conduit d'évacuation. Voir les exemples dans la section « Longueur recommandée du conduit d'évacuation ».



- A. Raccord de transition rectangulaire/ronde : $3 \frac{1}{4}$ po x 10 po vers 6 po = 5 pi (8,3 cm x 25,4 cm vers 15,2 cm = 1,5 m)
- B. Bouche d'évacuation sur toit : $3 \frac{1}{4}$ po x 10 po = 24 pi (8,3 cm x 25,4 cm = 7,3 m)
- C. Coude à 90° : $3 \frac{1}{4}$ po x 10 po = 25 pi (8,3 cm x 25,4 cm = 7,6 m)
- D. Coude à 90° : 6 po = 10 pi (15,2 cm = 3 m)
- E. Bouche d'évacuation murale : $3 \frac{1}{4}$ po x 10 po = 40 pi (8,3 cm x 25,4 cm = 12,2 m)
- F. Coude à 45° : 6 po = 5 pi (15,2 cm = 1,5 m)
- G. Coude à 90° plat : $3 \frac{1}{4}$ po x 10 po = 10 pi (8,3 cm x 25,4 cm = 3 m)

Longueur recommandée du circuit d'évacuation

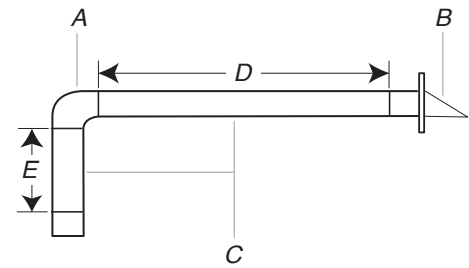
On devrait utiliser un conduit rectangulaire de $3 \frac{1}{4}$ po x 10 po (8,3 cm x 25,4 cm), ou un conduit rond de 6 po (15,2 cm) de diamètre.

La longueur équivalente totale du circuit d'évacuation, ceci incluant les sections de conduit rectilignes, coude(s), raccords de transition et bouche d'évacuation murale ou sur toit, ne doit pas dépasser 140 pi (42,7 m), quel que soit le type de conduit. Les longueurs équivalentes des divers composants sont mentionnées au tableau « Raccords standard recommandés ».

Pour optimiser la performance, ne pas utiliser plus de trois coudes à 90° .

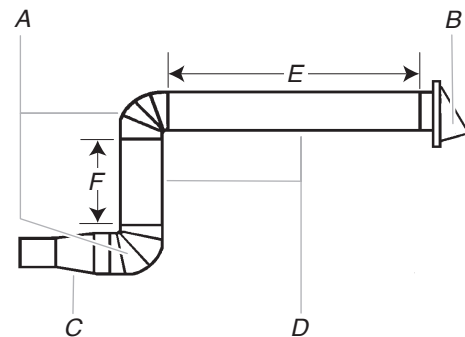
Pour calculer la longueur équivalente du système nécessaire, additionner les valeurs de longueurs équivalentes pour tous les composants utilisés dans le circuit. Voir les exemples suivants :

Conduit de $3 \frac{1}{4}$ po x 10 po (8,3 x 25,4 cm) = longueur totale 73 pi (22,2 m)



- A. Un coude 90° $3 \frac{1}{4}$ po x 10 po (8,3 x 25,4 cm) = 25 pi (7,6 m)
- B. 1 bouche d'évacuation murale = 40 pi (12,2 m)
- C. Sections de conduit rectiligne
2 pi (0,6 m) + 6 pi (1,8 m) = 8 pi (2,4 m)
- D. 6 pi (1,8 m)
- E. 2 pi (0,6 m)

Conduit d'un diamètre de 6 po (152 mm) = longueur totale 73 pi (22,2 m).



- A. Deux coudes 90° = 20 pi (6,1 m)
- B. 1 bouche d'évacuation murale = 40 pi (12,2 m)
- C. 1 raccord de transition de conduit rectangulaire/conduit rond = 5 pi (1,5 m)
- D. Sections de conduit rectiligne
2 pi (0,6 m) + 6 pi (1,8 m) = 8 pi (2,4 m)
- E. 6 pi (1,8 m)
- F. 2 pi (0,6 m)

Si le circuit d'évacuation existant est fait de conduit rond, on doit utiliser un raccord de transition de conduit rectangulaire à conduit rond. De plus on devra utiliser une extension de conduit rectangulaire de 3 po (7,6 cm) entre le registre et le raccord de transition rectangulaire/ronde, pour éviter toute entrave à l'ouverture de la plaque du registre.

NOTES

NOTES

