

Wide-By-Side™

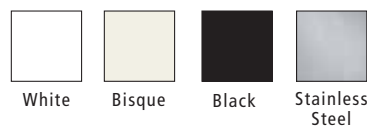
Models	MZD2669	MZD2667	MZD2665
REFRIGERATOR FEATURES			
ENERGY STAR®-Qualified	★	★	★
Triple-Cool™ System	Electronic		
Dual Cool™ System		Electronic	■
PuriClean® II Retractable Water/Ice Filter	750-Gallon	750-Gallon	750-Gallon
Adjustable Tempered-Glass Shelves	3	3	3
Elevator™ Shelf	■	■	■
Spill-Catcher™ Shelves	■	■	■
Easy-Glide Shelves	3	3	3
Spill-Catcher™ Glass Crisper Shelf	■	■	■
Sealed FreshLock Crispers:			
With Automatic Humidity Control	2 Fully Extendable	2 Fully Extendable	
With Humidity Control			2 Roll-Out
OpenWide™ Fully Extendable Drawers	■	■	
Adjusti-Temp™ Deli Drawer	■	■	■
Pick-Off Gallon-Plus Door Bins	4	4	5
Tilt-Out Door Bin	■	■	
Covered Dairy Compartment	■	■	■
Removable Egg Cradle			■
Egg Bin With Lid	■	■	■
Tall Bottle Retainer	■	■	■
BrightSeries™ Lighting Package			■
Refrigerator Lights	3	3	3
Automatic Moisture Control	■	■	■
FREEZER FEATURES			
Adaptive Defrost Feature	■	■	■
Speed Ice™ Feature	■	■	■
Factory-Installed Ice Maker	■	■	■
Wire Shelves	1	1	3
Slide-Out Wire Baskets	3 Fully Extendable	3	1
Tilt-Out Wire Door Baskets	2	2	
Pick-Off Door Bins	2	2	4
Freezer Lights	3	3	3
EXTERIOR FEATURES			
Electronic FrontFill™ Dispenser	■	■	■
Electronic Cube/Crushed Ice And Water Dispenser	■	■	■
Water Filter Change Reminder Light	■	■	■
Radius Doors	■	■	■
Sound Package	QuietSeries™ 200	QuietSeries™ 200	QuietSeries™ 100
Foam Door Insulation	■	■	■
Front-Adjustable Four-Point Leveling	■	■	■
COLOR AVAILABILITY			
White	■	■	■
Bisque	■	■	■
Black	■	■	■
Stainless Steel With Black Cabinet	■	■	■
VOLUME			
Total Shelf Area — sq. ft. (sq. m)	24.3 (2.3)	24.3 (2.3)	25.1 (2.3)
Total Volume — cu. ft. (cu. m)	25.6 (0.72)	25.6 (0.72)	25.6 (0.72)
Fresh Food Volume — cu. ft. (cu. m)	16.3 (0.46)	16.3 (0.46)	16.3 (0.46)
Freezer Volume — cu. ft. (cu. m)	9.2 (0.26)	9.2 (0.26)	9.2 (0.26)

Because of continuous product improvement, Maytag reserves the right to change specifications without notice.

Optional Door Panel Trim Kit:

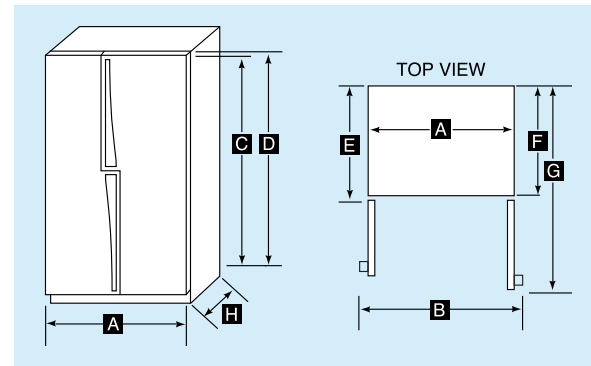
Decorator panels, trim (for wood panels), and trim and panel kits are available for all Maytag® side-by-side refrigerators. Panels are available in acrylic, mirrored, stainless steel, satin alloy, solid surface and real wood. To order, call Frigo Design at 1-800-836-8746. Be sure to provide refrigerator model number when ordering.

Exterior Color Options



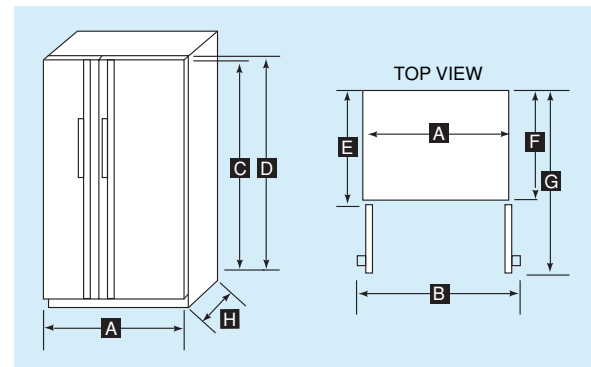
Maytag® Wide-By-Side™ And Side-By-Side Dimensions

	Wide-By-Side™		Side-By-Side								
	MZD2669	MZD2667	MSD2659	MSD2657	MSD2655	MSD2359	MSD2357	MSD2355	MSB2654	MCD2257	MCB2256
A	35 3/8 (90.5)	35 3/8 (90.5)	32 3/8 (82.9)	35 3/8 (90.5)	35 3/8 (90.5)	35 3/8 (90.5)	35 3/8 (90.5)	35 3/8 (90.5)	35 3/8 (90.5)	35 3/8 (90.5)	35 3/8 (90.5)
B	40 3/4 (103.5)	40 3/4 (103.5)	37 3/4 (95.5)	40 3/4 (103.5)	40 3/4 (103.5)	40 3/4 (103.5)	40 3/4 (103.5)	40 3/4 (103.5)	40 3/4 (103.5)	40 3/4 (103.5)	40 3/4 (103.5)
C	68 1/2 (174)	68 1/2 (174)	66 7/8 (169.9)	68 1/2 (174)	68 1/2 (174)	68 1/2 (174)	68 1/2 (174)	68 1/2 (174)	68 1/2 (174)	68 1/2 (174)	68 1/2 (174)
D	70 (177.8)	70 (177.8)	68 3/4 (173.7)	70 (177.8)	70 (177.8)	70 (177.8)	70 (177.8)	70 (177.8)	70 (177.8)	70 (177.8)	70 (177.8)
E	33 3/4 (84.5)	33 3/4 (84.5)	33 3/4 (84.5)	33 3/4 (84.5)	33 3/4 (84.5)	29 1/4 (74.3)	29 1/4 (74.3)	29 1/4 (74.3)	29 1/4 (74.3)	29 1/4 (74.3)	29 1/4 (74.3)
F	30 3/4 (78.1)	30 3/4 (78.1)	30 3/4 (78.1)	30 3/4 (78.1)	30 3/4 (78.1)	26 1/4 (67.9)	26 1/4 (67.9)	26 1/4 (67.9)	26 1/4 (67.9)	26 1/4 (67.9)	26 1/4 (67.9)
G	52 (132.1)	49 1/2 (125.7)	49 (124.5)	49 1/2 (125.7)	49 1/2 (125.7)	45 1/2 (115.6)	45 1/2 (115.6)	45 1/2 (115.6)	45 1/2 (115.6)	45 1/2 (115.6)	45 1/2 (115.6)
H	28 (71.1)	28 (71.1)	28 (71.1)	28 (71.1)	28 (71.1)	24 (61)	24 (61)	24 (61)	24 (61)	24 (61)	24 (61)
SW	343 (155.6)	343 (155.6)	315 (142.9)	333 (151)	333 (151)	300 (136.1)	300 (136.1)	300 (136.1)	300 (136.1)	300 (136.1)	300 (136.1)



Wide-By-Side™

- A Width — in. (cm)
- B Width With Doors Open 90° Including Handles — in. (cm)
- C Height Excluding Door Hinge — in. (cm)
- D Height Including Door Hinge — in. (cm)
- E Depth Including Handle — in. (cm)
- F Depth Excluding Handle — in. (cm)
- G Depth With Doors Open 90° — in. (cm)
- H Depth Of Cabinet — in. (cm)
- SW Approximate Shipping Weight — lbs. (kg)



Side-By-Side

- A Width — in. (cm)
- B Width With Doors Open 90° Including Handles — in. (cm)
- C Height Excluding Door Hinge — in. (cm)
- D Height Including Door Hinge — in. (cm)
- E Depth Including Handle — in. (cm)
- F Depth Excluding Handle — in. (cm)
- G Depth With Doors Open 90° — in. (cm)
- H Depth Of Cabinet — in. (cm)
- SW Approximate Shipping Weight — lbs. (kg)

Side-By-Side

Models	MSD2659	MSD2657	MSD2655	MSD2651	MSD2359	MSD2357	MSD2355	MSD2351	MSB2654	MCD2257	MCB2256
REFRIGERATOR FEATURES											
ENERGY STAR®-Qualified	★	★	★	★	★	★	★	★	★	★	★
Triple-Cool™ System	Electronic				Electronic						
Dual Cool™ System		Electronic	■	■		Electronic	■	■	■	Electronic	Electronic
PuriClean® II Retractable Water/Ice Filter	750-Gallon	750-Gallon	750-Gallon	750-Gallon	750-Gallon	750-Gallon	750-Gallon	750-Gallon	750-Gallon	750-Gallon	750-Gallon
Adjustable Tempered-Glass Shelves	3	3	3	3	3	3	3	3	3	3	3
Elevator™ Shelf	■	■	■	■	■	■	■	■	■	■	■
Spill-Catcher™ Shelves	■	■	■	■	■	■	■	■	■	■	■
Easy-Glide Shelves	3	3	3		3	3	2		1	3	3
Spill-Catcher™ Glass Crisper Shelf	■	■	■	■	■	■	■	■	■	■	■
Sealed FreshLock Crispers:											
With Automatic Humidity Control	2 Fully Extendable	2 Fully Extendable			2 Fully Extendable	2 Fully Extendable				2 Fully Extendable	2 Fully Extendable
With Humidity Control			2 Roll-Out	2 Slide-Out			2 Roll-Out	2 Slide-Out	2 Slide-Out		
OpenWide™ Fully Extendable Drawers	■	■			■	■			■	■	■
Adjusti-Temp™ Deli Drawer	■	■	■	■	■	■	■	■	■	■	■
Pick-Off Gallon-Plus Door Bins	4	4	5	5	4	4	5	5	4	2	2
Tilt-Out Door Bin	■	■			■	■			■		
Covered Dairy Compartment	■	■	■	■	■	■	■	■	■	■	■
Removable Egg Cradle			■				■		■		
Egg Bin With Lid	■	■			■	■				■	■
Beverage Organizer™ Rack	■	■			■	■					
Tall Bottle Retainer	■	■			■	■					
BrightSeries™ Lighting Package	■	■	■	■	■	■	■	■		■	■
Refrigerator Lights	3	3	3	3	3	3	3	3	3	3	3
Automatic Moisture Control	■	■	■	■	■	■	■	■	■	■	■
FREEZER FEATURES											
Adaptive Defrost Feature	■	■	■	■	■	■	■	■	■	■	■
Speed Ice™ Feature	■	■			■	■					
Factory-Installed Ice Maker	■	■	■	■	■	■	■	■		■	■
Automatic Ice Maker Option									UKI2500AXX		
Wire Shelves	1	1	3	3	1	1	3	3	2	1	2
Slide-Out Wire Baskets	3	3	1	1			3	1	2	3	3
Fully Extendable Wire Baskets	3				3						
Tilt-Out Wire Door Baskets	2	2			2	2			3	2	2
Pick-Off Door Bins	2	2	4	4	2	2	4	4	2	2	3
Freezer Lights	3	3	3	3	3	3	3	3	2	3	2
EXTERIOR FEATURES											
Electronic FrontFill™ Dispenser	■	■			■	■					
Electronic Cube/Crushed Ice And Water Dispenser	■	■	■	■	■	■	■	■		■	
Water Filter Change Reminder Light	■	■	■	■	■	■	■	■	■	■	■
Radius Doors	■	■	■	■	■	■	■	■	■	■	■
Sound Package	QuietSeries™ 200	QuietSeries™ 200	QuietSeries™ 100	QuietSeries™ 100	QuietSeries™ 200	QuietSeries™ 200	QuietSeries™ 100	QuietSeries™ 100	QuietSeries™ 100	QuietSeries™ 200	QuietSeries™ 200
Foam Door Insulation	■	■	■	■	■	■	■	■	■	■	■
Front-Adjustable Four-Point Leveling	■	■	■	■	■	■	■	■	■	■	■
COLOR AVAILABILITY											
White	■	■	■	■	■	■	■	■	■	■	■
Bisque	■	■	■	■	■	■	■	■	■	■	■
Black	■	■	■	■	■	■	■	■	■	■	■
Stainless Steel With Black Cabinet	■*	■	■	■	■*	■	■	■	■	■	■
VOLUME											
Total Shelf Area — sq. ft. (sq. m)	23.6 (2.2)	23.6 (2.2)	24.3 (2.3)	24.1 (2.2)	20.2 (1.9)	20.2 (1.9)	20.9 (1.9)	20.7 (1.9)	24.7 (2.3)	19.8 (1.8)	20.5 (1.9)
Total Volume — cu. ft. (cu. m)	25.6 (0.72)	25.6 (0.72)	25.6 (0.72)	25.6 (0.72)	22.6 (0.64)	22.6 (0.64)	22.6 (0.64)	22.6 (0.64)	25.5 (0.72)	21.6 (0.61)	21.5 (0.61)
Fresh Food Volume — cu. ft. (cu. m)	15.8 (0.45)	15.8 (0.45)	15.8 (0.45)	15.8 (0.45)	14.8 (0.42)	14.8 (0.42)	14.8 (0.42)	14.8 (0.42)	15.8 (0.45)	13.5 (0.38)	13.5 (0.38)
Freezer Volume — cu. ft. (cu. m)	9.2 (0.26)	9.2 (0.26)	9.8 (0.27)	9.8 (0.27)	7.9 (0.22)	7.9 (0.22)	7.9 (0.22)	7.9 (0.22)	9.6 (0.27)	8.1 (0.23)	7.96 (0.23)

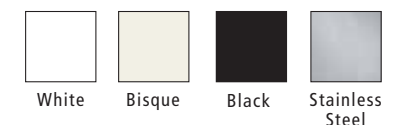
*With Stainless Steel towel bar handles.

All models listed may not be available from every Maytag dealer. Because of continuous product improvement, Maytag reserves the right to change specifications without notice.

Optional Door Panel Trim Kit:

Decorator panels, trim (for wood panels), and trim and panel kits are available for all Maytag® side-by-side refrigerators. Panels are available in acrylic, mirrored, stainless steel, satin alloy, solid surface and real wood. To order, call Frigo Design at 1-800-836-8746. Be sure to provide refrigerator model number when ordering.

Exterior Color Options



French Door

Models	MFD2561	MFD2560	MFF2557	MFC2061
REFRIGERATOR FEATURES				
ENERGY STAR®-Qualified	★	★	★	★
Triple-Cool™ System	Electronic			Electronic
Dual Cool™ System		Electronic	Electronic	
Twin Fresh Food Doors	■	■	■	■
PureChill™ Internal Water Dispenser	■	■	■	■
PuriClean® II Retractable Water/Ice Filter	750-Gallon	750-Gallon		750-Gallon
Adjustable Tempered-Glass Shelves	4 Split	4 Split	4 Split	4 Split
Spill-Catcher™ Shelves	■	■	■	■
Easy-Glide Shelves	■	■	■	■
Elevator™ Shelf	■	■	■	■
Wide-N-Fresh™ Deli Drawer	■	■	■	■
Sealed FreshLock Crispers With Humidity Control	2	2	2	2
Pick-Off Gallon-Plus Door Bins	5	5	5	5
Pick-Off Covered Dairy Compartment	■	■	■	■
Removable Egg Cradle	■	■	■	■
Beverage Organizer™ Rack	■	■	■	■
BrightSeries™ Lighting Package	■	■	■	■
Refrigerator Lights	2	2	2	2
Automatic Moisture Control	■	■	■	■
FREEZER FEATURES				
Glide-Out Freezer Drawer	■	■	■	■
Speed Ice™ Feature	■	■	■	■
Factory-Installed Ice Maker	■	■	■	■
Slide-Out Wire Drawer	■	■	■	■
Slide-Out Wire Basket	■	■	■	■
Lower Basket Divider	■	■	■	■
Freezer Light	■	■	■	■
Ice Bin	■	■	■	■
EXTERIOR FEATURES				
Radius Doors	■	■	■	■
Sound Package	QuietSeries™ 200	QuietSeries™ 200	QuietSeries™ 200	QuietSeries™ 200
Foam Door Insulation	■	■	■	■
Front-Adjustable Four-Point Leveling	■	■	■	■
Color Availability				
White	■	■	■	■
Bisque	■	■	■	■
Black	■	■	■	■
Stainless Steel With Black Cabinet	■*	■	■	■*
VOLUME				
Total Shelf Area — sq. ft. (sq. m)	28.8 (2.7)	28.6 (2.6)	28.6 (2.6)	22.2 (2.1)
Total Volume — cu. ft. (cu. m)	24.8 (0.7)	24.8 (0.7)	24.8 (0.7)	19.6 (0.56)
Fresh Food Volume — cu. ft. (cu. m)	17.3 (0.49)	17.3 (0.49)	17.3 (0.49)	14.15 (0.40)
Freezer Volume — cu. ft. (cu. m)	7.5 (0.21)	7.5 (0.21)	7.5 (0.21)	5.47 (0.16)

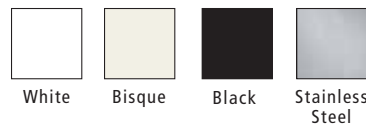
*With Stainless Steel towel bar handles.

All models listed may not be available from every Maytag dealer. Because of continuous product improvement, Maytag reserves the right to change specifications without notice.

Optional Door Panel Trim Kit: Decorator panels, trim (for wood panels), and trim and panel kits are available for all Maytag® bottom-freezer refrigerators. Panels are available in acrylic, mirrored, stainless steel, satin alloy, solid surface and real wood. To order, call Frigo Design at 1-800-836-8746. Be sure to provide refrigerator model number when ordering.

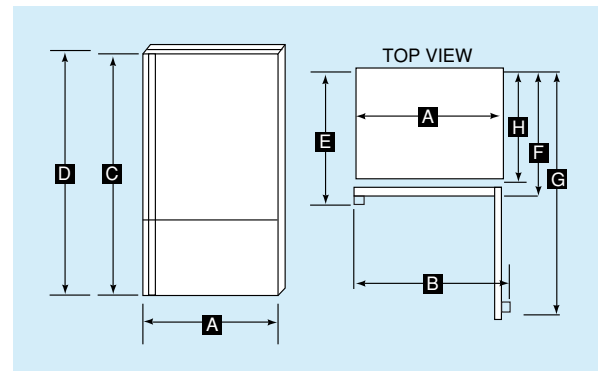
French Door Bottom-Freezer refrigerator design is a trademark of Maytag Corporation.

Exterior Color Options



Maytag® French Door Bottom-Freezer Dimensions

	MFD2561	MFD2560	MFF2557	MFC2061
A	35½ (90.5)	35½ (90.5)	35½ (90.5)	35½ (90.5)
B	38½ (97.5)	38½ (97.5)	38½ (97.5)	37½ (94.3)
C	68½ (174.3)	68½ (174.3)	68½ (174.3)	68½ (174)
D	69½ (177.5)	69½ (177.5)	69½ (177.5)	70½ (178.1)
E	34¼ (87)	34¼ (87)	34¼ (87)	29¾ (75.2)
F	31¾ (79.4)	31¾ (79.4)	31¾ (79.4)	27½ (68.9)
G	48¼ (122.6)	48¼ (122.6)	48¼ (122.6)	43¾ (110.2)
H	29 (73.7)	29 (73.7)	29 (73.7)	24 (61)
SW	355 (161)	355 (161)	355 (161)	300 (136.1)



Bottom-Freezer

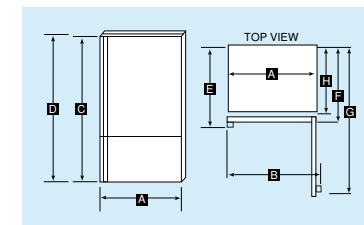
- A Width — in. (cm)
- B Width With Door Open 90° Including Handle — in. (cm)
- C Height Excluding Door Hinge — in. (cm)
- D Height Including Door Hinge — in. (cm)
- E Depth Including Handle — in. (cm)
- F Depth Excluding Handle — in. (cm)
- G Depth With Door Open 90° — in. (cm)
- H Depth Of Cabinet — in. (cm)
- SW Approximate Shipping Weight — lbs. (kg)

Bottom-Freezer

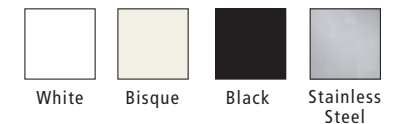
Models	MBF2562*	MBF2558	MBF2556	MBF2262*	MBF2258	MBF2256	MBF2254	MBF1956	MBB1952
REFRIGERATOR FEATURES									
ENERGY STAR®-Qualified	★	★	★	★	★	★	★	★	★
Triple-Cool™ System	Electronic			Electronic					
Dual Cool™ System		Electronic	Electronic		Electronic	Electronic	Electronic	Electronic	■
Adjustable Tempered-Glass Shelves	4 Split	4 Split	4 Split	4 Split	4 Split	4 Split	4 Split	4 Split	4 Split
Spill-Catcher™ Shelves	■	■	■	■	■	■	■	■	■
Easy-Glide Shelves	■	■	■	■	■	■	■	■	■
Elevator™ Shelf	■	■	■	■	■	■	■	■	■
Deli Drawer	■	■	■	■	■	■	■	■	■
Wide-N-Fresh™ Deli Drawer	■	■	■	■	■	■	■	■	■
Sealed FreshLock Crispers With Humidity Control	2	2	2	2	2	2	2	2	2
Pick-Off Gallon-Plus Door Bins	4	4	4	4	4	4	4	4	4
Pick-Off Covered Dairy Compartment	■	■	■	■	■	■	■	■	■
Removable Egg Cradle	■	■	■	■	■	■	■	■	■
Beverage Organizer™ Rack	■	■	■	■	■	■	■	■	■
BrightSeries™ Lighting Package	■	■	■	■	■	■	■	■	■
Refrigerator Lights	2	2	2	2	2	2	2	2	2
Automatic Moisture Control	■	■	■	■	■	■	■	■	■
FREEZER FEATURES									
Glide-Out Freezer Drawer	■	■	■	■	■	■	■	■	■
Swing-Out Freezer Door	■	■	■	■	■	■	■	■	■
Speed Ice™ Feature	■	■	■	■	■	■	■	■	■
Automatic Ice Maker Option									IC11B
Factory-Installed Ice Maker	■	■	■	■	■	■	■	■	■
Wire Shelf	■	■	■	■	■	■	■	■	■
Slide-Out Wire Drawer	■	■	■	■	■	■	■	■	■
Slide-Out Wire Basket	■	■	■	■	■	■	■	■	■
Lower Basket Divider	■	■	■	■	■	■	■	■	■
Deep Fixed Door Bin	■	■	■	■	■	■	■	■	■
Freezer Light	■	■	■	■	■	■	■	■	■
Ice Bin	■	■	■	■	■	■	■	■	■
Ice Cube Trays									2
EXTERIOR FEATURES									
Reversible Doors	■*	■	■	■*	■	■	■	■	■
Radius Doors	■	■	■	■	■	■	■	■	■
Sound Package	QuietSeries™ 200	QuietSeries™ 200	QuietSeries™ 200	QuietSeries™ 200	QuietSeries™ 200	QuietSeries™ 200	QuietSeries™ 100	QuietSeries™ 200	QuietSeries™ 100
Foam Door Insulation	■	■	■	■	■	■	■	■	■
Front-Adjustable Four-Point Leveling	■	■	■	■	■	■	■	■	■
Color Availability									
White	■	■	■	■	■	■	■	■	■
Bisque	■	■	■	■	■	■	■	■	■
Black	■	■	■	■	■	■	■	■	■
Stainless Steel With Black Cabinet	■*	■	■	■*	■	■	■	■	■
VOLUME									
Total Shelf Area — sq. ft. (sq. m)	28.9 (2.7)	29 (2.7)	29 (2.7)	24.9 (2.3)	23.5 (2.2)	23.5 (2.2)	23.5 (2.2)	21 (1.9)	21 (1.9)
Total Volume — cu. ft. (cu. m)	25.1 (0.71)	25.1 (0.71)	25.1 (0.71)	22.1 (0.63)	22.1 (0.63)	22.1 (0.63)	22.1 (0.63)	18.6 (0.53)	18.6 (0.53)
Fresh Food Volume — cu. ft. (cu. m)	17.8 (0.5)	17.8 (0.5)	17.8 (0.5)	15.6 (0.44)	15.6 (0.44)	15.6 (0.44)	15.6 (0.44)	12.9 (0.37)	12.9 (0.37)
Freezer Volume — cu. ft. (cu. m)	7.3 (0.21)	7.3 (0.21)	7.3 (0.21)	6.3 (0.18)	6.3 (0.18)	6.3 (0.18)	6.3 (0.18)	5.6 (0.16)	5.6 (0.16)

Maytag® Bottom-Freezer Dimensions

	MBF2562, MBR2562 MBL2562, MBF2558, MBF2556	MBF2262, MBR2262 MBL2262, MBF2258 MBF2256, MBF2254	MBF1956 MBB1952
A	35½ (90.5)	32¾ (83.2)	29¾ (75.6)
B	38½ (97.5)	35½ (89.9)	32½ (82.2)
C	68½ (174.3)	68½ (174.3)	65½ (166.7)
D	69½ (177.5)	69½ (177.5)	66½ (169.9)
E	34¼ (87)	33¼ (84.5)	33¼ (84.5)
F	30¾ (78.1)	30¾ (78.1)	30¾ (78.1)
G	66½ (168)	62½ (157.8)	59½ (150.2)
H	28 (71.1)	28 (71.1)	28 (71.1)
SW	350 (158.8)	310 (140.6)	270 (122.5)



Exterior Color Options



Bottom-Freezer

- A Width — in. (cm)
- B Width With Door Open 90° Including Handle — in. (cm)
- C Height Excluding Door Hinge — in. (cm)
- D Height Including Door Hinge — in. (cm)
- E Depth Including Handle — in. (cm)
- F Depth Excluding Handle — in. (cm)
- G Depth With Door Open 90° — in. (cm)
- H Depth Of Cabinet — in. (cm)
- SW Approximate Shipping Weight — lbs. (kg)

All models listed may not be available from every Maytag dealer. Because of continuous product improvement, Maytag reserves the right to change specifications without notice.

Optional Door Panel Trim Kit: Decorator panels, trim (for wood panels), and trim and panel kits are available for all Maytag® bottom-freezer refrigerators. Panels are available in acrylic, mirrored, stainless steel, satin alloy, solid surface and real wood. To order, call Frigo Design at 1-800-836-8746. Be sure to provide refrigerator model number when ordering.

*Stainless Steel versions: specify right-swing door (MBR2562, MBR2262) or left-swing door (MBL2562, MBL2262) when ordering.

Top-Freezer

Models	MTB2195	MTF2195	MTF2193	MTB2191	MTB1895	MTF1895	MTF1893	MTB1891	MTB1504
ENERGY STAR®-Qualified	★	★			★	★			
Cool Flow™ Ventilation	■	■	■		■	■	■		
Adjustable Tempered-Glass Shelves	4 Split	4 Split			4 Split	4 Split			
Full-Width Sealed Glass Shelves			2				2		
Full-Width Glass Shelves				2				2	2
Spill-Catcher™ Glass Shelves	■	■	■		■	■	■		
Easy-Glide Shelves	4	4			4	4			
Snack Center Drawer	■	■	■	■	■	■	■	■	
FreshLock Crispers With Humidity Control	2	2	2	2	2	2	2	2	2
Glass Crisper Shelf	■	■	■	■	■	■	■	■	■
Pick-Off Gallon-Plus Door Bins	4	4	4		4	4	4		
Fixed Gallon-Plus Door Bins				2				2	2
Fixed Door Bin	■	■	■	■	■	■	■	■	■
Covered Dairy Compartment	■	■	■	■	■	■	■	■	■
Removable Egg Cradle	■	■	■	■	■	■	■	■	■
Refrigerator Lights	■	■	■	■	■	■	■	■	■
Automatic Moisture Control	■	■	■	■	■	■	■	■	■
FREEZER FEATURES									
Automatic Ice Maker Option	UK11500AXX			UK11500AXX	UK11500AXX			UK11500AXX	UK11500AXX
Factory-Installed Ice Maker		■	■			■	■		
Half-Width Shelf									
Full-Width Adjustable Wire Shelf	■	■	■	■	■	■	■	■	■
Tilt-Out Wire Door Basket	■	■	■	■	■	■	■	■	■
Deep Fixed Door Bins	■	■	■	■	■	■	■	■	■
Freezer Light	■	■	■	■	■	■	■	■	■
Ice Cube Trays	2			2	2			2	2
EXTERIOR FEATURES									
Reversible Doors	■	■	■	■	■	■	■	■	■
Integrated Handle									■
Sound Package	QuietSeries™ 200	QuietSeries™ 200	QuietSeries™ 100	QuietSeries™ 100	QuietSeries™ 200	QuietSeries™ 200	QuietSeries™ 100	QuietSeries™ 100	Quiet Pack
Foamed-In-Place Doors	■	■	■	■	■	■	■	■	■
No-Clean™ Commercial-Duty Condenser	■	■	■	■	■	■	■	■	■
Color Availability									
White	■	■	■	■	■	■	■	■	■
Bisque	■	■	■	■	■	■	■	■	■
Black	■	■	■	■	■	■	■	■	■
Stainless Steel With Black Cabinet	■	■	■	■	■	■	■	■	■
VOLUME									
Total Shelf Area — sq. ft. (sq. m)	25.9 (2.4)	25.9 (2.4)	25.9 (2.4)	25.9 (2.4)	21.08 (2.0)	21.08 (2.0)	21.08 (2.0)	21.08 (2.0)	17.6 (1.6)
Total Volume — cu. ft. (cu. m)	21 (0.59)	21 (0.59)	21 (0.59)	21 (0.59)	18.1 (0.51)	18.1 (0.51)	18.1 (0.51)	18.1 (0.51)	15 (0.42)
Fresh Food Volume — cu. ft. (cu. m)	14.9 (0.42)	14.9 (0.42)	14.9 (0.42)	14.9 (0.42)	13 (0.37)	13 (0.37)	13 (0.37)	13 (0.37)	10.85 (0.31)
Freezer Volume — cu. ft. (cu. m)	6.1 (0.17)	6.1 (0.17)	6.1 (0.17)	6.1 (0.17)	5.1 (0.14)	5.1 (0.14)	5.1 (0.14)	5.1 (0.14)	4.15 (0.11)

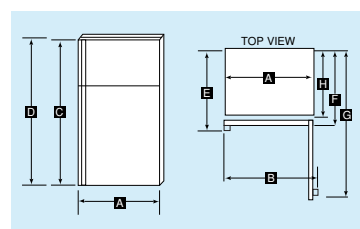
All models listed may not be available from every Maytag dealer. Because of continuous product improvement, Maytag reserves the right to change specifications without notice.

Optional Door Panel Trim Kit:

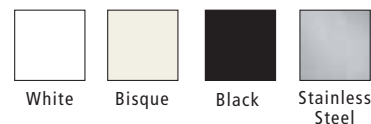
Decorator panels, trim (for wood panels), and trim and panel kits are available for all Maytag® top-freezer refrigerators. Panels are available in acrylic, mirrored, stainless steel, satin alloy, solid surface and real wood. To order, call Frigo Design at 1-800-836-8746. Be sure to provide refrigerator model number when ordering.

Maytag® Top-Freezer Dimensions

	MTB2195 MTF2195 MTF2193 MTB2191	MTB1895 MTF1895 MTF1893 MTB1891	MTB1504
A	32½ (82.8)	29½ (75.2)	28 (71.1)
B	35½ (90.6)	32½ (82.8)	28 (71.1)
C	66 (167.6)	66 (167.6)	61½ (155.2)
D	66½ (169.2)	66½ (169.2)	61½ (157)
E	31½ (81)	31¼ (80.6)	28½ (72.4)
F	30½ (77.1)	29½ (75.1)	28½ (72.4)
G	60½ (153.4)	56½ (143.3)	54½ (138)
H	26½ (67.6)	26½ (66.5)	25½ (64)
SW	221 (100)	194 (88)	208 (94.3)



Exterior Color Options



Top-Freezer

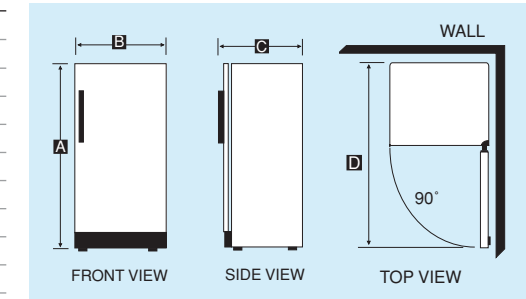
- A Width — in. (cm)
- B Width With Door Open 90° Including Handle — in. (cm)
- C Height Excluding Door Hinge — in. (cm)
- D Height Including Door Hinge — in. (cm)
- E Depth Including Handle — in. (cm)
- F Depth Excluding Handle — in. (cm)
- G Depth With Door Open 90° — in. (cm)
- H Depth Of Cabinet — in. (cm)
- SW Approximate Shipping Weight — lbs. (kg)

Upright

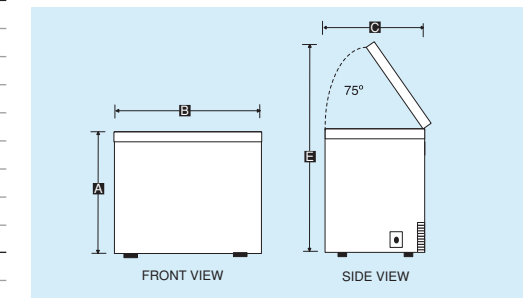
Chest

Models	MQU2057	MQU2056	MQU1556	MQU1554	MQC2257	MQC1557
FREEZER FEATURES						
ENERGY STAR®-Qualified	★		★	★	★	★
EvenFreeze™ Food Preservation System					■	■
Fast-Freeze Setting	■	■	■	■		
Manual Defrost		■			■	■
Auto Defrost	■		■			
Adjustable Temperature Control	■	■		■	■	■
Full-Width Wire Shelves	4 Slide-Out	4 Fixed	3 Slide-Out	3 Slide-Out		
Fixed Door Bins	6	6	4	4		
Removable Baskets	■				2	2
Storage Gate		■	■			
Defrost Drain		■		■	■	■
Interior Light	■	■	■	■	■	■
10-Year Food-Loss Warranty	■	■	■	■	■	■
EXTERIOR FEATURES						
Lock With Key	■	■	■	■	■	■
Handle	Recessed	Recessed	Recessed	Recessed	Grip	Grip
Flat Back	■		■			
Smooth Rust- And Impact-Resistant Liner	■	■	■	■	■	■
Textured-Steel Cabinet	■	■	■	■	■	■
2 Front Leveling Legs	■	■	■	■		
Foamed Door/Lid	■	■	■	■	■	■
Counterbalanced Lid					■	■
VOLUME						
Total Volume — cu. ft. (cu. m)	19.6 (0.55)	19.6 (0.55)	15.0 (0.42)	15.2 (0.43)	21.7 (55.1)	14.8 (0.42)
Food Storage Capacity — lbs. (kg)	588 (266.7)	588 (266.7)	450 (204.1)	456 (206.8)	545 (247.2)	444 (201.4)
A - Height — in. (cm)	66.5 (168.9)	66.5 (168.9)	60.5 (153.7)	60.5 (153.7)	35 (88.9)	35 (88.9)
B - Width — in. (cm)	33 (83.8)	33 (83.8)	30 (76.2)	30 (76.2)	64.9 (164.8)	46.1 (117.2)
C - Depth — in. (cm)	28.3 (71.9)	28.3 (71.9)	28.3 (71.9)	28.3 (71.9)	29.4 (74.7)	29.4 (74.6)
D - Depth With Door Open 90° — in. (cm)	59.5 (151.1)	59.5 (151.1)	56.5 (143.5)	56.5 (143.5)		
E - Height With Lid Open 75° — in. (cm)					60.4 (153.4)	60.4 (153.4)
Air Clearance — Sides And Top — in. (cm)	3 (7.6)	3 (7.6)	3 (7.6)	3 (7.6)	3 (7.6)	3 (7.6)
Shipping Weight — lbs. (kg)	211 (95.7)	206 (93.4)	176 (79.8)	178 (80.7)	220 (99.8)	176 (79.8)

Maytag® Upright Freezer



Maytag® Chest Freezer



Exterior Color



White

SkyBox™ Personal Beverage Vendor By Maytag™ Dimensions — in. (cm)

	SkyBox™ Vendor MBV1976	SkyBase™ Stand MBS1976	SkyBox™ Vendor With SkyBase™ Stand
Height	33½ (85.1)	25 (63.5)	58½ (148.6)
Width	24 (61)	24 (61)	24 (61)
Depth	22½ (56.1)	22½ (56.1)	22½ (56.1)
Weight — lbs. (kg)	101 (45.8)	56 (25.4)	157 (71.2)

All models listed may not be available from every Maytag dealer. Because of continuous product improvement, Maytag reserves the right to change specifications without notice.