



French Door Bottom Mount Refrigerator



Use & Care Guide

www.maytag.com
U.S.: 1-800-688-9900

www.maytag.ca
Canada: 1-800-807-6777

TABLE OF CONTENTS

Congratulations on your purchase and welcome to the Maytag Brand family of high-quality appliances. Your new Maytag® French Door Refrigerator combines advanced cooling technology with simple operation and high efficiency.

Each appliance that leaves our factory is inspected thoroughly to ensure that it is working properly.

Please read the Use and Care Instructions in this guide before operating your new refrigerator. Like all appliances, your refrigerator may require maintenance or repair from time to time, but you can help to ensure that your refrigerator provides many years of reliable service by following the instructions in this guide.

REFRIGERATOR SAFETY	3
Proper Disposal of Your Old Refrigerator	3
PARTS AND FEATURES	4
What's New Behind the Doors?	4
INSTALLATION INSTRUCTIONS	5
Unpack the Refrigerator	5
- Remove the Packaging	5
- Clean Before Using	5
Location Requirements	5
Remove and Replace Refrigerator Doors	6
- Remove Right-Hand Refrigerator Door	7
- Remove Left-Hand Refrigerator Door	7
- Replace Right-Hand Refrigerator Door	8
- Replace Left-Hand Refrigerator Door	8
- Final Steps	8
Remove and Replace Freezer Drawer Front	8
- Remove Drawer Front	8
- Replace Drawer Front	9
- Final Steps	9
Electrical Requirements	9
Water Supply Requirements	10
Connect the Water Supply	10
- Connect to Water Line	10
- Connect to Refrigerator	11
- Complete the Installation	11
Handle Installation and Removal	12
- Install Handles	12
- Remove the Handles	12
Refrigerator Leveling, Door Closing and Alignment	13
FILTERS AND ACCESSORIES	14
Water Filtration System	14
- Install the Water Filter	14
- The Water Filter Status Light	14
- Replace the Water Filter	15
Install Air Filter	15
- Installing the Air Filter	15
- Installing the Filter Status Indicator	15
- Replacing the Air Filter	16
Install Produce Preserver	16
- Installing the Produce Preserver	16
- Installing the Status Indicator	17
- Replacing the Produce Preserver	17
Accessories	17
REFRIGERATOR USE	18
Opening and Closing Doors	18
Using the Controls	18
- Viewing and Adjusting Temperature Set Points	18
- Cooling On/Off	19

- Options	20
- Additional Features	20
Water and Ice Dispensers	21
- Flush the Water System	21
- The Water Dispenser	21
- The Ice Dispenser	21
- Dispensing	21
- The Dispenser Light	22
- The Dispenser Lock	22
Ice Maker and Ice Storage Bin	22
- Ice Production Rate	22
- Style 1 - Ice Maker in the Refrigerator	22
- Style 2 - Ice Maker in the Freezer	23
REFRIGERATOR FEATURES	23
Refrigerator Shelves	23
- Shelves and Shelf Frames	23
Crisper and Crisper Cover	24
Crisper Humidity Control	24
Temperature-Controlled Drawer	24
- Style 1 - Electronic Control	24
- Style 2 - Manual Control	24
- Drawer Removal and Replacement	25
- Drawer Divider	25
- Meat Storage Guide	25
DOOR FEATURES	25
Door Bins	25
FREEZER FEATURES	25
Pizza Pocket and Drawer Divider	25
REFRIGERATOR CARE	26
Cleaning	26
- Exterior Cleaning	26
- Interior Cleaning	26
- Condenser Cleaning	27
Lights	27
Vacation and Moving Care	27
- Vacations	27
- Moving	27
TROUBLESHOOTING	28
Operation	28
Noise	29
Temperature and Moisture	30
Ice and Water	31
Doors	33
WATER FILTER CERTIFICATIONS	34
PERFORMANCE DATA SHEET	35
WARRANTY	36
SERVICE NUMBERS	BACK COVER

REFRIGERATOR SAFETY

Your safety and the safety of others are very important.

We have provided many important safety messages in this manual and on your appliance. Always read and obey all safety messages.



This is the safety alert symbol.

This symbol alerts you to potential hazards that can kill or hurt you and others.

All safety messages will follow the safety alert symbol and either the word "DANGER" or "WARNING."

These words mean:

⚠ DANGER

You can be killed or seriously injured if you don't immediately follow instructions.

⚠ WARNING

You can be killed or seriously injured if you don't follow instructions.

All safety messages will tell you what the potential hazard is, tell you how to reduce the chance of injury, and tell you what can happen if the instructions are not followed.

IMPORTANT SAFETY INSTRUCTIONS

WARNING: To reduce the risk of fire, electric shock, or injury when using your refrigerator, follow these basic precautions:

- Plug into a grounded 3 prong outlet.
- Do not remove ground prong.
- Do not use an adapter.
- Do not use an extension cord.
- Disconnect power before servicing.
- Replace all parts and panels before operating.
- Remove doors from your old refrigerator.
- Use nonflammable cleaner.
- Keep flammable materials and vapors, such as gasoline, away from refrigerator.
- Use two or more people to move and install refrigerator.
- Disconnect power before installing ice maker (on ice maker kit ready models only).
- Use a sturdy glass when dispensing ice (on some models).
- Do not hit the refrigerator glass doors (on some models).

SAVE THESE INSTRUCTIONS

State of California Proposition 65 Warnings:

WARNING: This product contains one or more chemicals known to the State of California to cause cancer.

WARNING: This product contains one or more chemicals known to the State of California to cause birth defects or other reproductive harm.

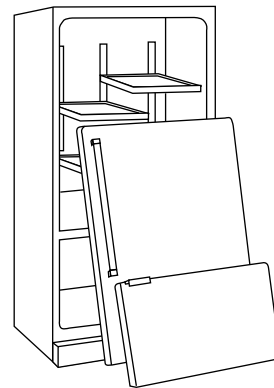
Proper Disposal of Your Old Refrigerator

⚠ WARNING

Suffocation Hazard

Remove doors from your old refrigerator.

Failure to do so can result in death or brain damage.



IMPORTANT: Child entrapment and suffocation are not problems of the past. Junked or abandoned refrigerators are still dangerous – even if they will sit for “just a few days.” If you are getting rid of your old refrigerator, please follow these instructions to help prevent accidents.

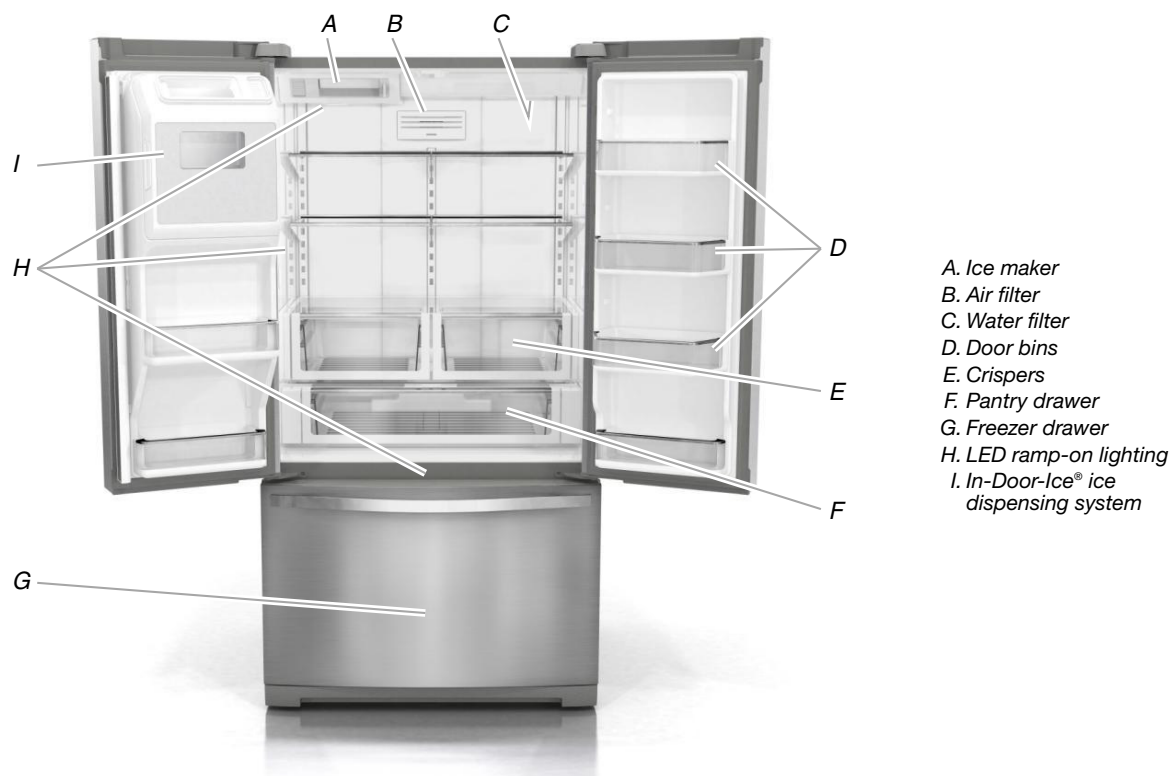
Before You Throw Away Your Old Refrigerator or Freezer:

- Take off the doors.
- Leave the shelves in place so that children may not easily climb inside.

Important information to know about disposal of refrigerants:

Dispose of refrigerator in accordance with Federal and Local regulations. Refrigerants must be evacuated by a licensed, EPA certified refrigerant technician in accordance with established procedures.

PARTS AND FEATURES



What's New Behind the Doors?

Your Maytag® French Door Refrigerator comes equipped with various innovative storage and energy efficient features.

Parts & Features

Energy and Normal Operating Sounds

Your new French Door Bottom Mount refrigerator has been designed to optimize energy efficiency, and better regulate temperatures to match cooling demand. You may notice that it operates differently than your previously owned refrigerator. It is normal for the high-efficiency compressor to run for extended periods of time at varying speeds in order to consume only the energy necessary for optimum efficiency. In addition, during various stages of the cooling cycle, you may hear normal operating sounds that are unfamiliar to you.

More Storage Space

The French Door Bottom Mount has the most fresh food storage space available, including a full-width, temperature controlled, pantry drawer perfect for storing veggie trays or party platters.

In-Door-Ice® Ice Dispensing System

The ice storage bin located in the door provides an entire extra shelf of storage space, and the storage bin is removable for easy access to filtered ice.

Dual Evaporator (on some models)

The refrigerator compartment and freezer compartment have separate evaporators to provide fresh food and frozen food with separate climates. The refrigerator stays cool and humid for the optimum storage of fresh foods while the freezer stays cold and dry. Humidity from the refrigerator does not mix with dry freezer air, so frost is controlled, which reduces freezer burn. Since no air is shared between the refrigerator and freezer, the transfer of food odors and tastes from the refrigerator to the freezer is eliminated.

Water Filter

NSF® Certified filter reduces chlorine taste and odor, particulates (class I), lead, and mercury. Replacing the water filter every 6 months ensures clean, filtered drinking water.

Air Filter

An air filter is 15 times more powerful than baking soda at reducing common food odors inside the refrigerator.

Produce Preserver (on some models)

Ethylene is a natural gas produced by fruits and vegetables to promote ripening. The Produce Preserver absorbs ethylene, to delay the over-ripening of fresh produce. As a result, certain produce items will stay fresh longer.

LED Lighting

The LED lights do not ever need to be replaced.

Door Alarm

A helpful alarm sounds when the refrigerator door or freezer drawer is left ajar.

Power Outage Indicator (on some models)

If the power should go out while you are away from home, this indicator will let you know that the refrigerator has been without power.

INSTALLATION INSTRUCTIONS

Unpack the Refrigerator

⚠ WARNING

Excessive Weight Hazard

Use two or more people to move and install refrigerator.

Failure to do so can result in back or other injury.

When Moving Your Refrigerator:

Your refrigerator is heavy. When moving the refrigerator for cleaning or service, be sure to cover the floor with cardboard or hardboard to avoid floor damage. Always pull the refrigerator straight out when moving it. Do not wiggle or “walk” the refrigerator when trying to move it, as floor damage could occur.

Remove the Packaging

- Remove tape and glue residue from surfaces before turning on the refrigerator. Rub a small amount of liquid dish soap over the adhesive with your fingers. Wipe with warm water and dry.
- Do not use sharp instruments, rubbing alcohol, flammable fluids, or abrasive cleaners to remove tape or glue. These products can damage the surface of your refrigerator. For more information, see “Refrigerator Safety.”
- Dispose of/recycle all packaging materials.

Clean Before Using

After you remove all of the packaging materials, clean the inside of your refrigerator before using it. See the cleaning instructions in “Refrigerator Care.”

Important information to know about glass shelves and covers:

Do not clean glass shelves or covers with warm water when they are cold. Shelves and covers may break if exposed to sudden temperature changes or impact, such as bumping. Tempered glass is designed to shatter into many small, pebble-size pieces. This is normal. Glass shelves and covers are heavy. Use both hands when removing them to avoid dropping.

Install

Location Requirements

⚠ WARNING



Explosion Hazard

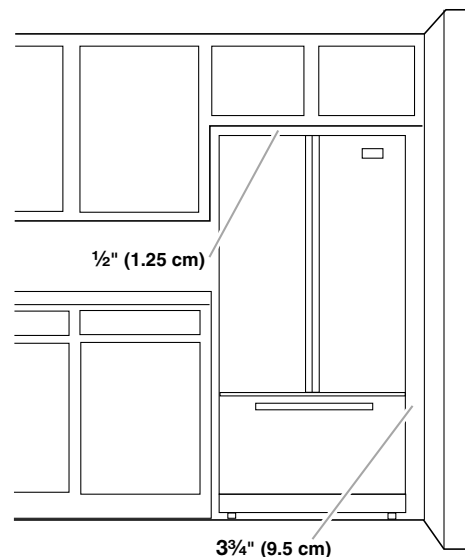
Keep flammable materials and vapors, such as gasoline, away from refrigerator.

Failure to do so can result in death, explosion, or fire.

NOTE: This refrigerator is intended for use in a location where the temperature ranges from a minimum of 55°F (13°C) to a maximum of 110°F (43°C). The preferred room temperature range for optimum performance, which reduces electricity usage and provides superior cooling, is between 60°F (15°C) and 90°F (32°C). It is recommended that you do not install the refrigerator near a heat source, such as an oven or radiator.

IMPORTANT: This refrigerator is designed for indoor, household use only.

To ensure proper ventilation for your refrigerator, allow for a ½" (1.25 cm) of space on each side and at the top. Allow for a 1" (2.54 cm) space behind the refrigerator. If your refrigerator has an ice maker, allow extra space at the back for the water line connections. When installing your refrigerator next to a fixed wall, leave a 3¾" (9.5 cm) minimum space between the refrigerator and wall to allow the door to swing open.



Remove and Replace Refrigerator Doors

NOTE: Measure the width of your door opening, to see whether or not you need to remove the refrigerator doors to move the refrigerator into your home. If door removal is necessary, see the following instructions.

IMPORTANT: If the refrigerator was previously installed and you are moving it out of the home, before you begin, turn the refrigerator control OFF. Unplug the refrigerator or disconnect power. Remove food and adjustable door or utility bins from doors.

Gather the required tools and read all instructions before removing doors.

TOOLS NEEDED: 3/16" hex key wrench and a #2 Phillips screwdriver



⚠ WARNING

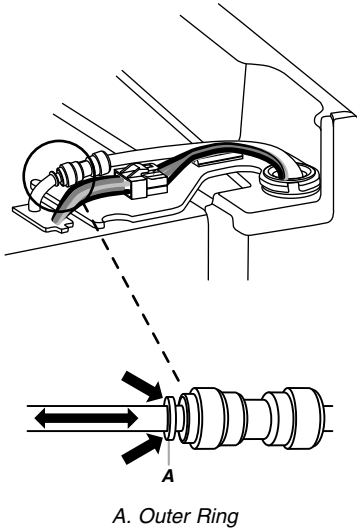
Electrical Shock Hazard

Disconnect power before removing doors.

Failure to do so can result in death or electrical shock.

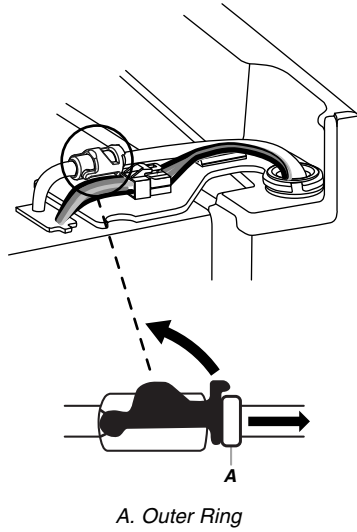
Door Removal and Replacement

Style 1 – Water Dispenser Tubing Connection



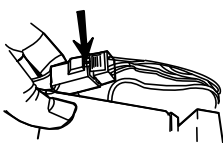
A. Outer Ring

Style 2 – Water Dispenser Tubing Connection

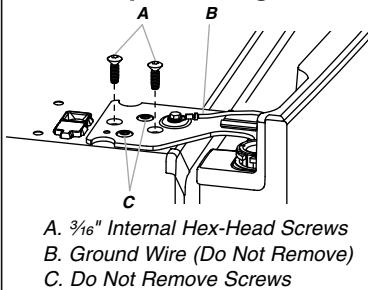


A. Outer Ring

Wiring Plug

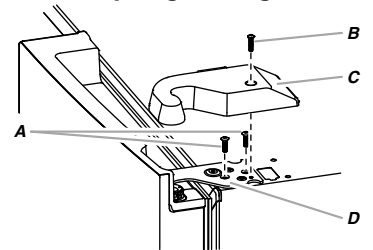


Top Left Hinge



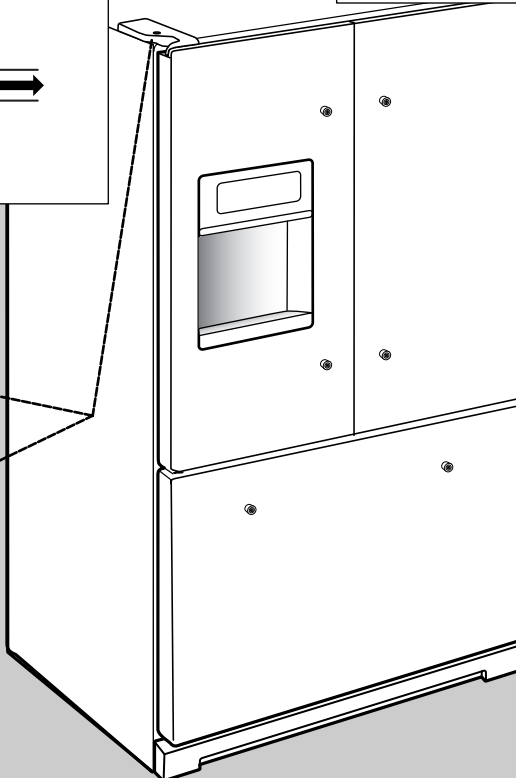
A. 3/16" Internal Hex-Head Screws
B. Ground Wire (Do Not Remove)
C. Do Not Remove Screws

Top Right Hinge



A. 3/16" Internal Hex-Head Screws
B. Hinge Cover Screw
C. Top Hinge Cover
D. Top Hinge

Install



Remove Right-Hand Refrigerator Door

⚠ WARNING

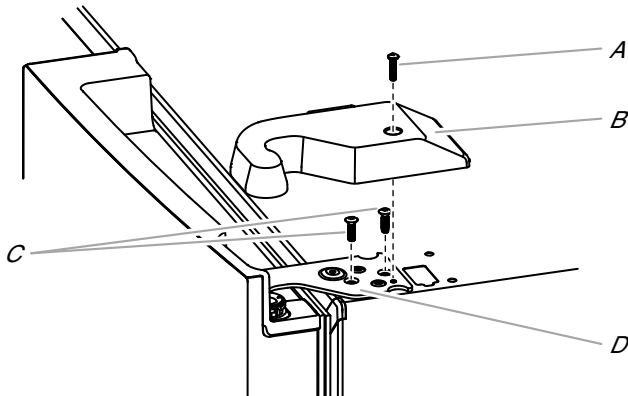


Electrical Shock Hazard

Disconnect power before removing doors.

Failure to do so can result in death or electrical shock.

1. Unplug refrigerator or disconnect power.
2. Keep the refrigerator doors closed until you are ready to lift them free from the cabinet.
NOTE: Provide additional support for the refrigerator door while the hinges are being removed. Do not depend on the door gasket magnets to hold the door in place while you are working.
3. Using a Phillips screwdriver, remove the cover from the Top Hinge.
4. Using the $\frac{3}{16}$ " hex key wrench, remove the two internal hex head screws from the top hinge, and set aside.
NOTE: Do not remove the two locator screws. These screws will help you align the hinge when you replace the door.



A. Top hinge cover screw
B. Top hinge cover
C. $\frac{3}{16}$ " Internal hex head screws
D. Top hinge

⚠ WARNING

Excessive Weight Hazard

Use two or more people to lift the refrigerator door.

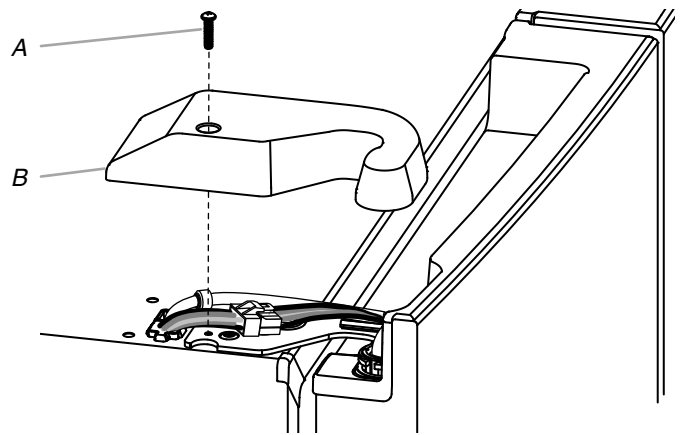
Failure to do so can result in back or other injury.

5. Lift the refrigerator door from the bottom hinge pin. The top hinge will come away with the door.

Remove Left-Hand Refrigerator Door

IMPORTANT: The tubing and wiring for the water dispenser run through the left-hand door hinge, so they must be disconnected before removing the door.

1. Using a Phillips screwdriver, remove the cover from the top hinge.

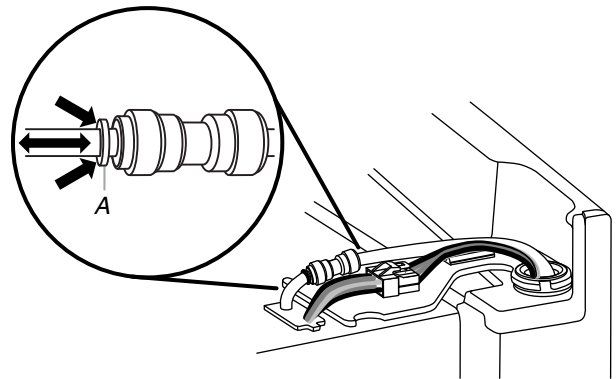


A. Top hinge cover screw
B. Top hinge cover

2. Disconnect the water dispenser tubing located on top of the door hinge.

Style 1 - Press the outer ring against the face of the fitting and gently pull the dispenser tubing free.

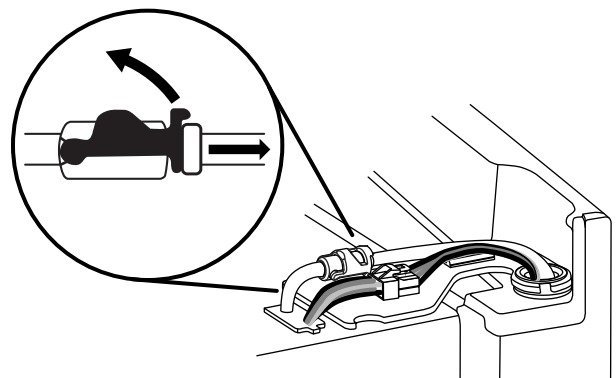
NOTE: The water dispenser tubing remains attached to the left-hand refrigerator door.



A. Outer ring

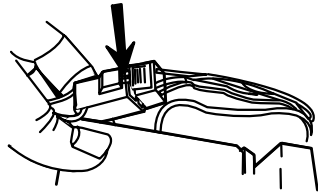
Style 2 - Firmly pull up on the clasp. Then, pull the tubing out of the fitting.

NOTE: The water dispenser tubing remains attached to the left-hand refrigerator door.



3. Disconnect the wiring plug located on top of the door hinge.
 - Grasp each side of the wiring plug. With your left thumb, press down to release the catch and pull the sections of the plug apart.

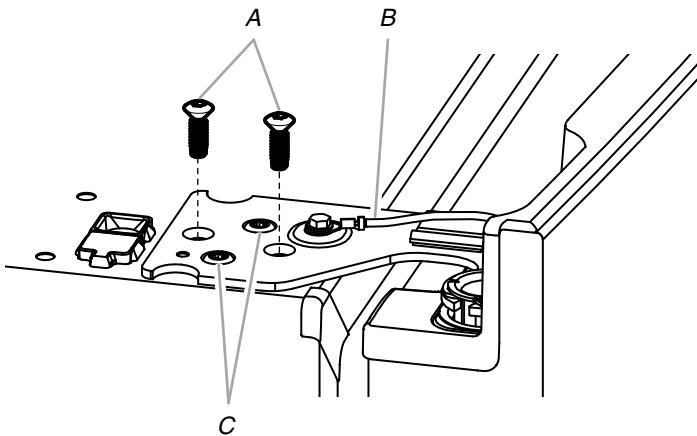
NOTE: Do not remove the green, ground wire. It should remain attached to the door hinge.



4. Using the 3/16" hex key wrench, remove the two internal hex head screws from the top hinge, and set aside.

NOTES:

- Provide additional support for the refrigerator door while the hinges are being removed. Do not depend on the door gasket magnets to hold the door in place while you are working.
- Do not remove the two locator screws. These screws will help you align the hinge when you replace the door.



A. 3/16" Internal hex head screws
B. Ground wire (do not remove)

C. Locator screws (do not remove)

5. Lift the refrigerator door from the bottom hinge pin. The top hinge will come away with the door.

NOTE: It may not be necessary to remove the bottom hinges and brake feet assemblies to move the refrigerator through a doorway.

 - Only if necessary, use a driver with a #2 square bit tip to remove the bottom hinges and a 3/8" nut driver to remove the brake feet screws.

Replace Right-Hand Refrigerator Door

1. Set the right-hand door onto the bottom hinge pin.
2. Insert the top hinge pin into the open hole in the top of the refrigerator door.
3. Using the two 3/16" internal hex head screws, fasten the hinge to the cabinet. Do not tighten the screws completely.

Replace Left-Hand Refrigerator Door

IMPORTANT: Do not intertwine the water tubing and wiring bundles when reconnecting them.

1. Set the left-hand door onto the bottom hinge pin.
2. Using the two 3/16" internal hex head screws, fasten the hinge to the cabinet. Do not tighten the screws completely.
3. Reconnect the water dispenser tubing.

Style 1 - Insert the tubing into the fitting until it stops and the outer ring is touching the face of fitting.

Style 2 - Insert the tubing firmly into the fitting until it stops. Close the clasp around the tubing. The clasp snaps into place between the fitting and the collar.
4. Reconnect the electrical wiring.
 - Push together the two sections of the wiring plug.

Final Steps

1. Completely tighten the four internal hex head screws (two on the right-hand door hinge and two on the left-hand door hinge).
2. Replace both top hinge covers.

Remove and Replace Freezer Drawer Front

Depending on the width of your door opening, it may be necessary to remove the freezer drawer front to move the refrigerator into your home.

IMPORTANT:

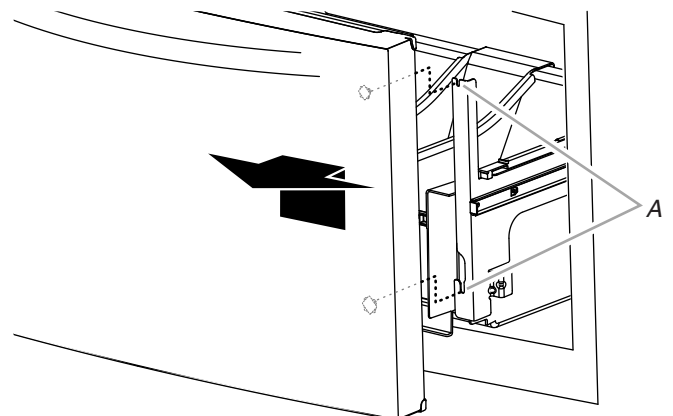
- If the refrigerator was previously installed and you are moving it out of the home, before you begin, turn the refrigerator control OFF, and unplug the refrigerator or disconnect power. Remove food from the freezer drawer.
- Two people may be required to remove and replace the freezer drawer front.

Tool Needed: 1/4" hex driver

Remove Drawer Front

1. Open the freezer drawer to its full extension.
2. Remove the two screws at the top, inside the drawer front (one on the left-hand side and one on the right-hand side) that fasten the drawer front to the drawer glides.

3. Lift up on the drawer front to release the plastic studs from the drawer glide bracket slots.



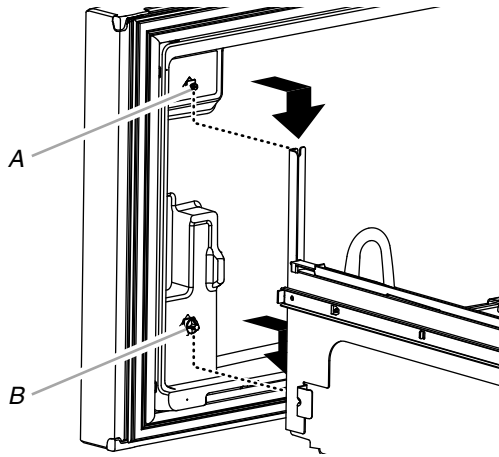
A. Drawer glide bracket slots

4. Slide the drawer glides back into the freezer.

Replace Drawer Front

1. Pull out the freezer drawer glides to their full extension.
2. Holding the drawer front by its sides, align the two plastic studs, located at the bottom, inside the drawer front, with the drawer glide bracket slots.

NOTE: It helps if one person holds the drawer glides steady while another person aligns the drawer front and inserts the studs into the slots.



A. Drawer front screw
B. Drawer front plastic stud

3. Replace and tighten the two screws at the top of the drawer front (one on the left-hand side and one on the right-hand side).

Electrical Requirements

⚠ WARNING



Electrical Shock Hazard

Plug into a grounded 3 prong outlet.
Do not remove ground prong.
Do not use an adapter.
Do not use an extension cord.
Failure to follow these instructions can result in death, fire, or electrical shock.

Before you move your refrigerator into its final location, it is important to make sure you have the proper electrical connection.

Final Steps

⚠ WARNING



Electrical Shock Hazard

Plug into a grounded 3 prong outlet.
Do not remove ground prong.
Do not use an adapter.
Do not use an extension cord.
Failure to follow these instructions can result in death, fire, or electrical shock.

1. Plug into a grounded 3 prong outlet.
2. Reset the controls. See "Using the Control(s)."
3. Return all removable door parts to doors and the food to refrigerator.

Recommended Grounding Method

A 115 volt, 60 Hz, AC only 15- or 20-amp fused, grounded electrical supply is required. It is recommended that a separate circuit serving only your refrigerator be provided. Use an outlet that cannot be turned off by a switch. Do not use an extension cord.

NOTE: Before performing any type of installation, cleaning, or removing a light bulb, turn Cooling OFF, and then disconnect the refrigerator from the electrical source. When you have finished, reconnect the refrigerator to the electrical source and turn Cooling ON. See "Using the Control(s)."

Water Supply Requirements

A cold water supply with water pressure between 35 and 120 psi (241 and 827 kPa) is required to operate the water dispenser and ice maker. If you have questions about your water pressure, call a licensed, qualified plumber.

NOTE: If the water pressure is less than what is required, the flow of water from the water dispenser could decrease or ice cubes could be hollow or irregular shaped.

Reverse Osmosis Water Supply

IMPORTANT: The pressure of the water supply coming out of a reverse osmosis system going to the water inlet valve of the refrigerator needs to be between 35 and 120 psi (241 and 827 kPa).

If a reverse osmosis water filtration system is connected to your cold water supply, the water pressure to the reverse osmosis system needs to be a minimum of 40 to 60 psi (276 to 414 kPa).

- Check to see whether the sediment filter in the reverse osmosis system is blocked. Replace the filter if necessary.
- Allow the storage tank on the reverse osmosis system to refill after heavy use. The tank capacity could be too small to keep up with the requirements of the refrigerator.

NOTE: Faucet mounted reverse osmosis systems are not recommended.

- If your refrigerator has a water filter, it may further reduce the water pressure when used in conjunction with a reverse osmosis system. Remove the water filter. See “Water Filtration System.”

If you have questions about your water pressure, call a licensed, qualified plumber.

Connect the Water Supply

Read all directions before you begin.

IMPORTANT:

- Plumbing shall be installed in accordance with the International Plumbing Code and any local codes and ordinances.
- To avoid off-taste or odor in your ice or water, it is recommended that you use copper tubing or Whirlpool® supply tubing, Part Number 8212547RP to connect the household water line with the water line or water fitting coming from the back of the refrigerator. Check for leaks.
- Install tubing only in areas where temperatures will remain above freezing.

TOOLS NEEDED:

Gather the required tools and parts before starting installation.

- Flat-blade screwdriver
- 7/16" and 1/2" open-end wrenches or two adjustable wrenches
- 1/4" nut driver

NOTE: Do not use a piercing-type or 3/16" (4.76 mm) saddle valve which reduces water flow and clogs easier.

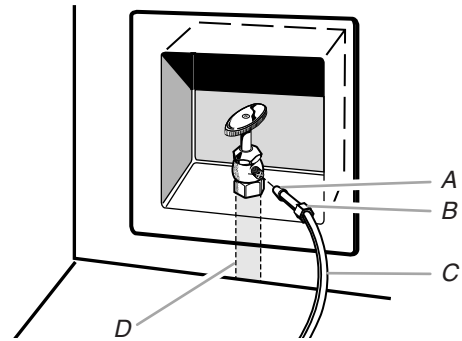
Connect to Water Line

IMPORTANT: If you turn the refrigerator on before the water is connected, turn the ice maker OFF.

1. Unplug refrigerator or disconnect power.
2. Turn OFF main water supply. Turn ON nearest faucet long enough to clear line of water.

3. Use a quarter-turn shutoff valve or the equivalent, served by a 1/2" household supply line.

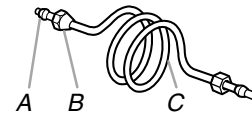
NOTE: To allow sufficient water flow to the refrigerator, a minimum 1/2" size household supply line is recommended.



A. Sleeve
B. Nut
C. Copper tubing (to refrigerator)
D. Household supply line (1/2" minimum)

4. Now you are ready to connect the copper tubing to the shutoff valve. Use 1/4" (6.35 mm) OD soft copper tubing to connect the shutoff valve and the refrigerator.

- Ensure that you have the proper length needed for the job. Be sure both ends of the copper tubing are cut square.
- Slip compression sleeve and compression nut onto copper tubing as shown. Insert end of tubing into outlet end squarely as far as it will go. Screw compression nut onto outlet end with adjustable wrench. Do not overtighten.



A. Compression sleeve
B. Compression nut
C. Copper tubing

- Place the free end of the tubing into a container or sink, and turn on main water supply to flush out tubing until water is clear. Turn off shutoff valve on the water pipe.

NOTE: Always drain the water line before making the final connection to the inlet of the water valve, to avoid possible water valve malfunction.

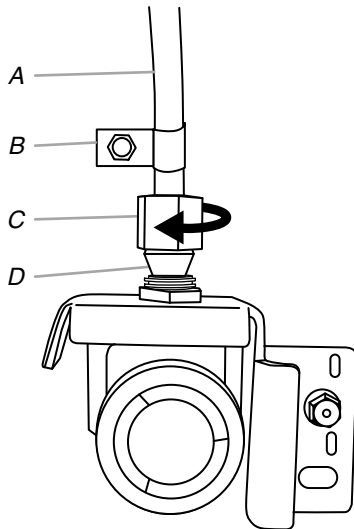
- Bend the copper tubing to meet the water line inlet, which is located on the back of the refrigerator cabinet as shown. Leave a coil of copper tubing to allow the refrigerator to be pulled out of the cabinet or away from the wall for service.

Connect to Refrigerator

Follow the connection instructions specific to your model.

Style 1

- Remove plastic cap from water valve inlet port. Attach the copper tube to the valve inlet using a compression nut and sleeve as shown. Tighten the compression nut. Do not overtighten. Confirm copper tubing is secure by pulling on copper tubing.
- Create a service loop with the copper tubing. Avoid kinks when coiling the copper tubing. Secure copper tubing to refrigerator cabinet with a "P" clamp.



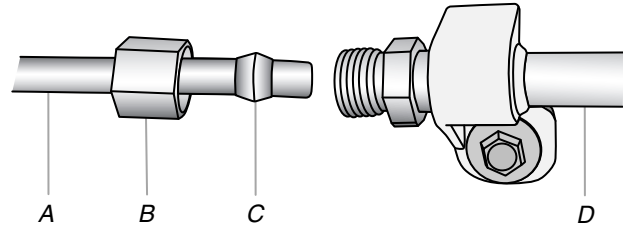
A. Copper tubing
B. "P" clamp
C. Compression nut
D. Compression sleeve

- Turn on water supply to refrigerator and check for leaks. Correct any leaks.

Style 2

- Unplug refrigerator or disconnect power.
- Remove and discard the short, black plastic part from the end of the water line inlet.
- Thread the nut onto the end of the tubing. Tighten the nut by hand. Then tighten it with a wrench two more turns. Do not overtighten.

NOTE: To avoid rattling, be sure the copper tubing does not touch the cabinet's side wall or other parts inside the cabinet.



A. Household water line
B. Nut (purchased)
C. Ferrule (purchased)
D. Refrigerator water tubing

- Install the water supply tube clamp around the water supply line to reduce strain on the coupling.
- Turn shutoff valve ON.
- Check for leaks. Tighten any connections (including connections at the valve) or nuts that leak.
- On some models, the ice maker is equipped with a built-in water strainer. If your water conditions require a second water strainer, install it in the 1/4" (6.35 mm) water line at either tube connection. Obtain a water strainer from your appliance dealer.

Complete the Installation

⚠ WARNING



Electrical Shock Hazard

Plug into a grounded 3 prong outlet.

Do not remove ground prong.

Do not use an adapter.

Do not use an extension cord.

Failure to follow these instructions can result in death, fire, or electrical shock.

- Plug into a grounded 3 prong outlet.
- Flush the water system. See "Water and Ice Dispensers."

NOTE: Allow 24 hours to produce the first batch of ice. Discard the first three batches of ice produced. Allow 3 days to completely fill the ice storage bin.

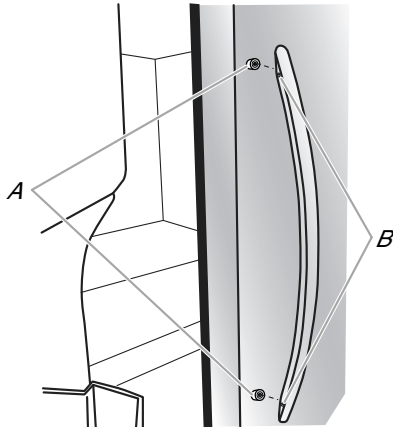
Handle Installation and Removal

Parts Included: Refrigerator door handles (2), Freezer drawer handle (1), 1/8" hex key, spare setscrew(s)

Install Handles

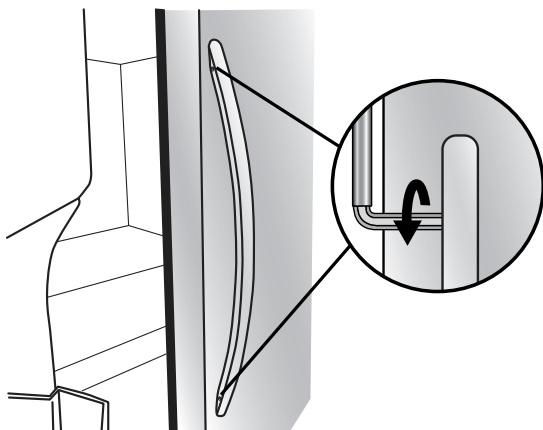
NOTE: Handle mounting setscrews are preinstalled inside the handle.

1. Remove the handles from the packaging inside the refrigerator, and place them on a soft surface.
2. Open a refrigerator compartment door. On the closed door, place a handle onto the shoulder screws so that the setscrews are facing the adjacent door.



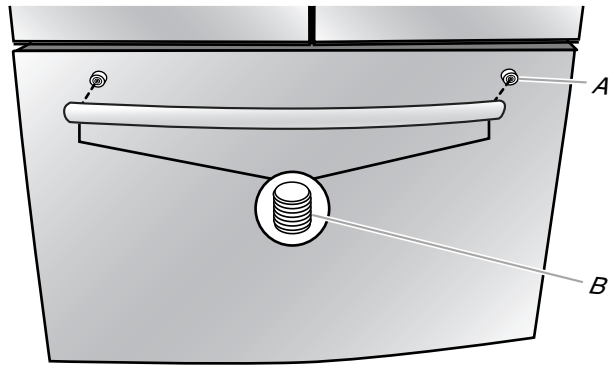
A. Shoulder screws
B. Setscrews inside the handle

3. Firmly push the handle toward the door until the handle base is flush against the door.
4. While holding the handle, insert the short end of the hex key into the upper hole and slightly rotate the hex key until it is engaged in the setscrew.



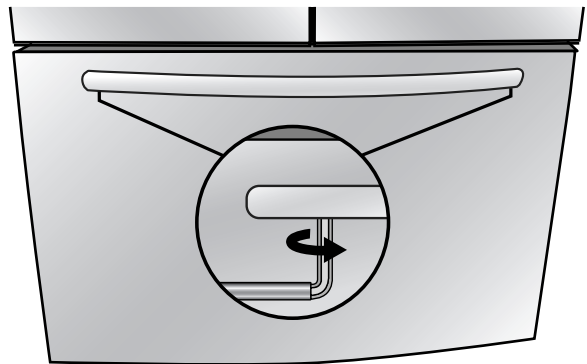
5. Using a clockwise motion tighten the setscrew just until it begins to contact the shoulder screw. Do not fully tighten.
6. Repeat steps 4 and 5 to fasten the lower setscrew.
7. Once both setscrews have been partially tightened as instructed in the previous steps, fully tighten both setscrews.
IMPORTANT: When the screws feel tight, tighten them an additional quarter-turn. The handle is not properly installed without this extra tightening.
8. Repeat steps 2 through 7 to install the other handle onto the adjacent refrigerator door.

9. With the freezer drawer closed, place the handle onto the shoulder screws so that the setscrews are facing down toward the floor.



A. Shoulder screw
B. Setscrews inside the handle

10. Firmly push the handle toward the drawer until the handle base is flush against the drawer.
11. Insert the short end of the hex key into the left-hand hole and slightly rotate the hex key until it is engaged in the setscrew.



12. Using a left to right motion tighten the setscrew a quarter-turn at a time just until it begins to contact the shoulder screw. Do not fully tighten.
13. Repeat steps 11 and 12 to fasten the right-hand setscrew to the shoulder screw.
14. Once both setscrews have been partially tightened as instructed in the previous steps, fully tighten both setscrews.
IMPORTANT: When the screws feel tight, tighten them an additional quarter-turn. The handle is not properly installed without this extra tightening.
15. Save the hex key and all instructions.

Remove the Handles

1. While holding the handle, insert the short end of the hex key into a setscrew hole and slightly rotate the hex key until it is engaged in the setscrew.
2. Using a right to left motion loosen the setscrew a quarter-turn at a time.
3. Repeat steps 1 and 2 for the other setscrew. Slowly pull the handle away from the door or drawer.
4. If necessary, use a Phillips screwdriver to remove the shoulder screws from the door.

Refrigerator Leveling, Door Closing and Alignment

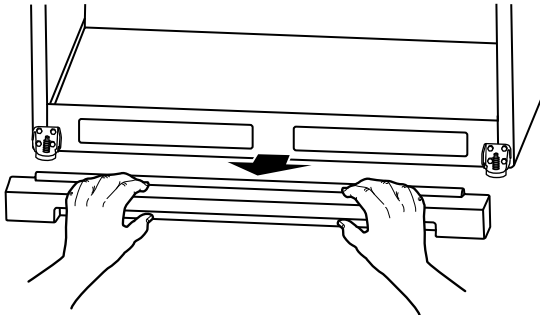
The base grille covers the adjustable brake feet and roller assemblies located at the bottom of the refrigerator below the freezer drawer. Before making any adjustments, remove the base grille and move the refrigerator to its final location.

Tools Needed: 1/4" hex driver

Tools Provided: 1/8" hex key wrench

1. Remove the base grille. Grasp the grille firmly and pull it toward you. Open the freezer drawer to access the brake feet.

NOTE: To allow the refrigerator to roll easier, raise the brake feet by turning them counterclockwise. The front rollers will be touching the floor.



2. Move the refrigerator to its final location.
3. Lower the brake feet, by turning them clockwise, until the rollers are off the floor and both brake feet are snug against the floor. This keeps the refrigerator from rolling forward when opening the refrigerator doors or freezer drawer.

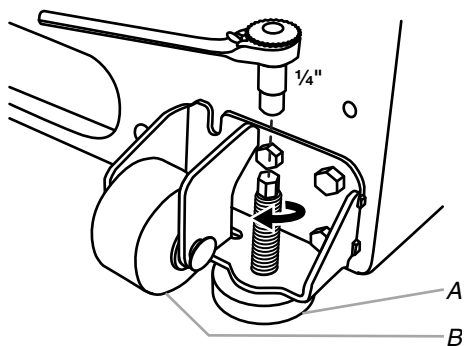
IMPORTANT: If you need to make further adjustments involving the brake feet, you must turn both brake feet the same amount to keep the refrigerator level.
4. Make sure the doors close easily. If you are satisfied with the door opening and closing, skip the next section and go to "Align the Doors." If, however, the doors do not close easily or the doors pop open, adjust the tilt.

To Adjust the Cabinet Tilt:

- Open the freezer drawer. Use a 1/4" hex driver to turn both brake feet clockwise the same amount. This will raise the front of the refrigerator. It may take several turns to allow the doors to close easier.

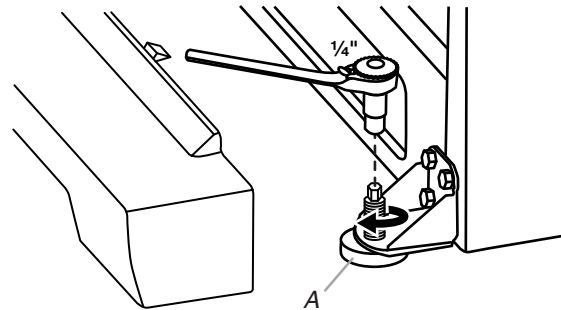
NOTE: Having someone push against the top of the refrigerator takes some weight off the brake feet. This makes it easier to turn them.

Style 1



A. Brake foot
B. Front roller

Style 2



A. Brake foot

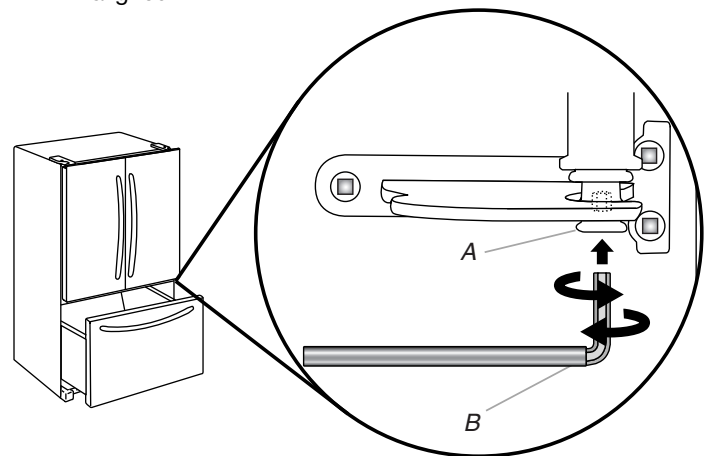
5. Make sure the doors are even at the top and that the space between the bottom of the refrigerator doors and the top of the freezer drawer is even. If necessary, align the doors.

To Align the Doors:

- Keeping both refrigerator doors closed, pull out the freezer drawer. Locate the bottom hinge pin of the right-hand refrigerator door. The alignment screw is inside the bottom hinge pin.
- Insert the short end of the 1/8" hex key wrench (packed with the Door Handle Installation Instructions) into the bottom hinge pin until it is fully engaged in the alignment screw.

To raise the refrigerator door, turn the hex key to the right.
To lower the door, turn the hex key to the left.

- Continue to turn the alignment screw until the doors are aligned.



A. Bottom hinge pin
B. 1/8" Hex key wrench

6. Make sure the refrigerator is steady. If the refrigerator seems unsteady or rolls forward when the door or drawer is pulled open, adjust the brake feet.

To Steady the Refrigerator:

- Open the freezer drawer. Using a 1/4" hex driver, turn both brake feet clockwise the same amount until the brake feet are snug against the floor. Check again. If not satisfied, continue to adjust the brake feet by half turns of the screw until the refrigerator does not roll forward when the drawer is opened.

NOTE: Having someone push against the top of the refrigerator takes some weight off the brake feet. This makes it easier to turn the screws.

7. Replace the base grille by aligning the ends of the grille with the leveling assemblies on each side and snapping the grille into place.

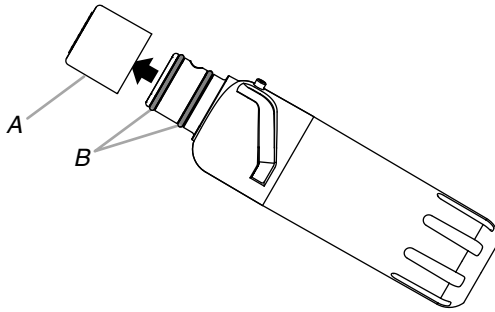
FILTERS AND ACCESSORIES

Water Filtration System

Do not use with water that is microbiologically unsafe or of unknown quality without adequate disinfection before or after the system. Systems certified for cyst reduction may be used on disinfected waters that may contain filterable cysts.

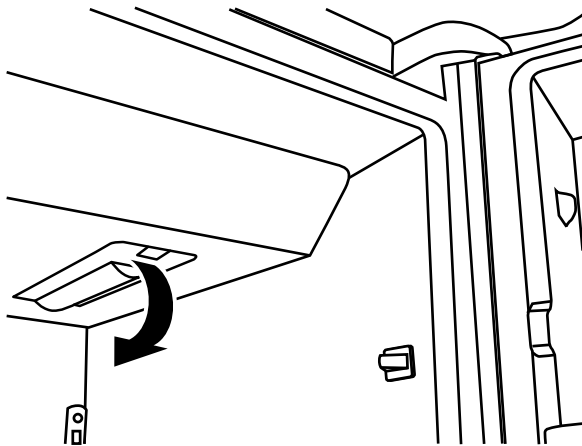
Install the Water Filter

1. Locate the accessory packet in the refrigerator and remove the water filter.
2. Take the water filter out of its packaging and remove the cover from the O-rings. Be sure the O-rings are still in place after the cover is removed.



A. O-ring cover
B. O-rings

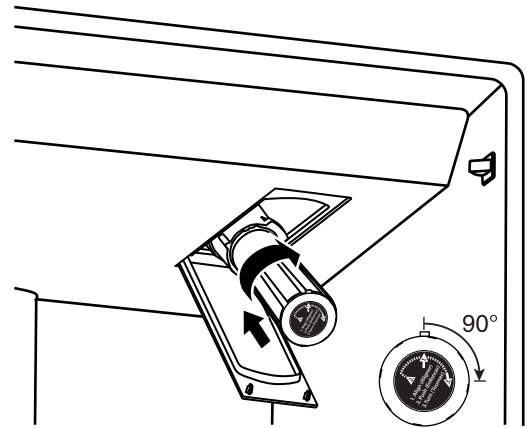
3. The water filter compartment is located in the right-hand side of the refrigerator ceiling. Push up on the compartment door to release the catch, then lower the door.



4. Align the arrow on the water filter label with the cutout notch in the filter housing and insert the filter into the housing.

5. Turn the filter clockwise 90 degrees ($\frac{1}{4}$ turn), until it locks into the housing.

NOTE: If the filter is not correctly locked into the housing, the water dispenser will not operate. Water will not flow from the dispenser.



6. While the compartment door is still open, lift the filter up into the compartment. Then, close the filter compartment door completely.
7. Flush the water system. See “Flushing the Water Filter” in the “Water and Ice Dispensers” section.

IMPORTANT: If you do not flush the water system, you may experience dripping and/or decreased flow from the water dispenser.

The Water Filter Status Light

Press WATER FILTER to display the percentage of filter life remaining (from 99% to 0%). Press WATER FILTER again to return to the Normal screen.

The water filter status lights will help you know when to change your water filter.

- ORDER (yellow) - it is almost time to change the water filter.
- REPLACE (red) - Replace the water filter. While you are dispensing water, “Replace” will blink.

NOTE: If a water filter is not installed or is undetected because it is not properly installed (locked into place), “Replace” and “--% remaining” will display on the control panel. Check the water filter.

- RESET the water filter status tracking feature. After you replace the disposable filter with a new filter, closing the filter compartment door will automatically reset the filter status tracking feature. See “Using the Controls.”

NOTE: “Replace” will remain illuminated if a filter is not installed or installed incorrectly.

Replace the Water Filter

To purchase a replacement water filter, see “Accessories.”

Replace the disposable water filter when indicated on the water filter status display or at least every 6 months. If water flow to your dispenser or ice maker decreases noticeably, change the water filter sooner.

1. Locate the water filter compartment in the right-hand side of the refrigerator ceiling. Push up to release and lower the compartment door.

2. Turn the water filter counterclockwise (to the left), and pull it straight out of the compartment.

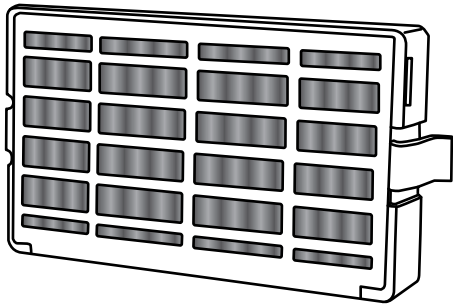
NOTE: There may be some water in the filter. Some spilling may occur. Use a towel to wipe up any spills.

3. Install the replacement water filter by following steps 2 through 7 in the “Install the Water Filter” section.

Install Air Filter (on some models)

An air filter is 15 times more powerful than baking soda at reducing common food odors inside the refrigerator.

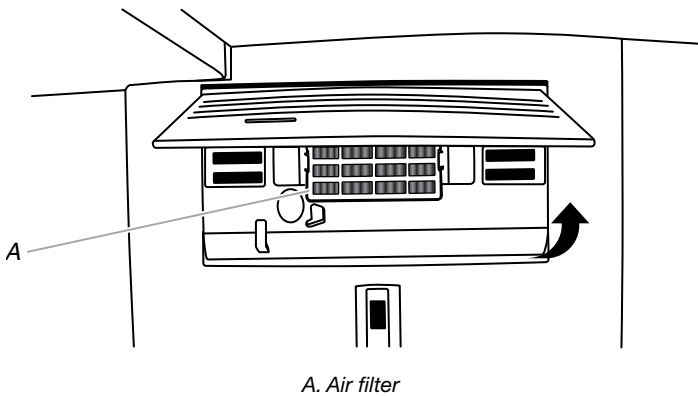
On some models, your refrigerator's accessory packet includes an air filter, which must be installed prior to use.



Installing the Air Filter

Install the air filter behind the vented door, located on the rear wall near the top of the refrigerator compartment.

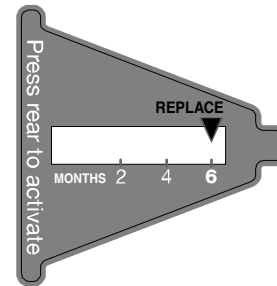
1. Remove the air filter from its packaging.
2. Lift open the vented door.
3. Snap the filter into place.



A. Air filter

Installing the Filter Status Indicator

The filter comes with a status indicator, which should be activated and installed at the same time the air filter is installed.

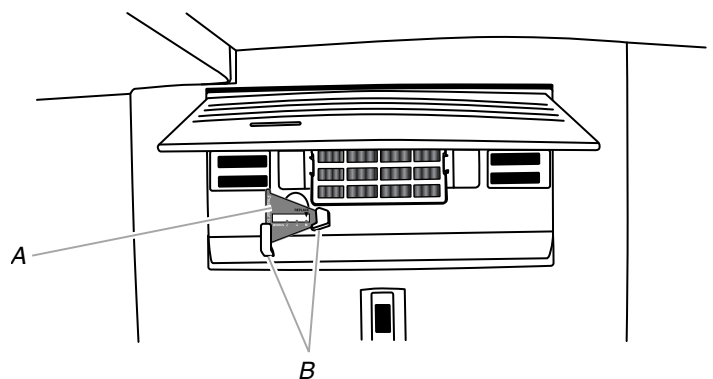


1. Place the indicator face-down on a firm, flat surface.
2. Apply pressure to the bubble on the back of the indicator until the bubble pops to activate the indicator.
3. Lift open the vented air filter door. On some models, there are notches behind the door.

Models with notches:

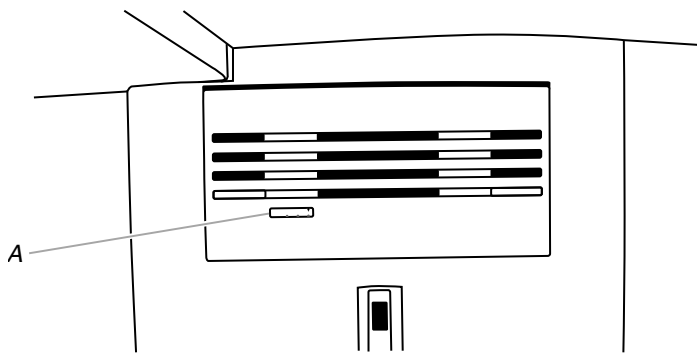
- With the indicator screen facing outward, slide the indicator down into the notches.

NOTE: The indicator will not easily slide into the notches if the bubble has not been popped.



A. Air filter status indicator
B. Notches

- Close the air filter door, and check that the indicator is visible through the window in the door.



A. Status indicator window

Models without notches:

- Place the indicator somewhere it is easily visible - either inside the refrigerator, or elsewhere in your kitchen or home.

Replacing the Air Filter

The disposable air filter should be replaced every 6 months, when the status indicator has completely changed from white to red.

To order a replacement air filter, contact us. See “Accessories” for information on ordering.

1. Remove the used air filter by squeezing in on the side tabs.
2. Remove the used status indicator.
3. Install the new air filter and filter status indicator using the instructions in the previous sections.

Accessories

Install Produce Preserver (on some models)

The produce preserver absorbs ethylene, to slow the ripening process of many produce items. As a result, certain produce items will stay fresh longer.

Ethylene production and sensitivity varies depending on the type of fruit or vegetable. To preserve freshness, it is best to separate produce with sensitivity to ethylene from fruits that produce moderate to high amounts of ethylene.

	Sensitivity to Ethylene	Ethylene Production
Apples	High	Very High
Asparagus	Med.	Very Low
Berries	Low	Low
Broccoli	High	Very Low
Cantaloupe	Med.	High
Carrots	Low	Very Low
Citrus Fruit	Med.	Very Low
Grapes	Low	Very Low
Lettuce	High	Very Low
Pears	High	Very High
Spinach	High	Very Low

Installing the Produce Preserver

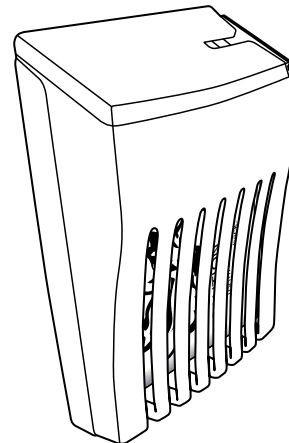
CAUTION: IRRITANT

MAY IRRITATE EYES AND SKIN. DANGEROUS FUMES FORM WHEN MIXED WITH OTHER PRODUCTS.

Do not mix with cleaning products containing ammonia, bleach or acids. Do not get in eyes, on skin or clothing. Do not breathe dust. Keep out of reach of children.

FIRST AID TREATMENT: Contains potassium permanganate. If swallowed, call a Poison Control Center or doctor immediately. Do not induce vomiting. If in eyes, rinse with water for 15 minutes. If on skin, rinse with water.

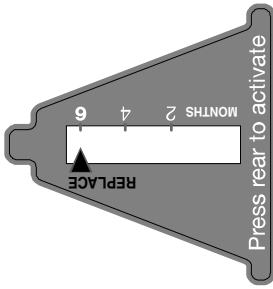
1. Find the Produce Preserver housing inside the refrigerator.



2. Open the housing by pulling up and out on the back.
3. Remove the FreshFlow™ Produce Preserver pouches from the packaging and place them into the housing.
NOTE: For best performance, always use two pouches.
4. Place the Produce Preserver housing onto the tab located on the back wall of the crisper drawer.

Installing the Status Indicator

The produce preserver comes with a status indicator, which should be activated and installed at the same time the pouches are installed.



1. Place the indicator face-down on a firm, flat surface.
2. Apply pressure to the bubble on the back of the indicator until the bubble pops, to activate the indicator.
3. Slide open the cap on the top of the produce preserver housing.
4. Place the indicator in the top of the housing, facing outward.
5. Slide the cap closed, and check that the indicator is visible through the rectangular hole in the cap.

NOTE: The cap will not easily close if the indicator's bubble has not been popped.

Replacing the Produce Preserver

The disposable pouches should be replaced every 6 months or when the status indicator changes completely from white to red. To order replacements, contact us. See "Accessories" for information on ordering.

1. Remove the used pouches from the produce preserver housing.
2. Remove the used status indicator.
3. Install the replacement pouches and status indicator using the instructions in the previous sections.

Accessories

The following accessories are available for your refrigerator. To order an accessory, contact us and ask for the Part Number.

In the U.S.A., visit our webpage www.maytag.com/accessories or call **1-800-901-2042**.

In Canada, visit our webpage www.whirlpoolparts.ca or call **1-800-807-6777**.

affresh® Stainless Steel Cleaner:

In U.S.A., order Part #W10355016
In Canada, order Part #W10355016B

affresh® Stainless Steel Wipes:

In U.S.A., order Part #W10355049
In Canada, order Part #W10355049B

affresh® Kitchen & Appliance Cleaner:

In U.S.A., order Part #W10355010
In Canada, order Part #W10355010B

Water Filter:

Order Part #W10413645A or FILTER2

Air Filter:

Order Part #W10311524 or AIR1

Produce Preserver:

Order Part # W10346771A or FRESH1

Water Filter, Air Filter and Produce Preserver Bundle Pack:

Order Part # W10413643BL

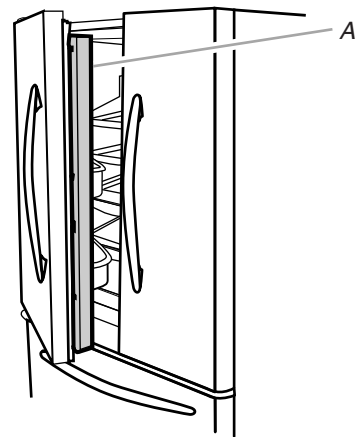
REFRIGERATOR USE

Opening and Closing Doors

There are two refrigerator compartment doors. The doors can be opened and closed either separately or together.

There is a vertically-hinged seal on the left refrigerator door.

- When the left side door is opened, the hinged seal automatically folds inward so that it is out of the way.
- When both doors are closed, the hinged seal automatically forms a seal between the two doors.



A. Hinged seal

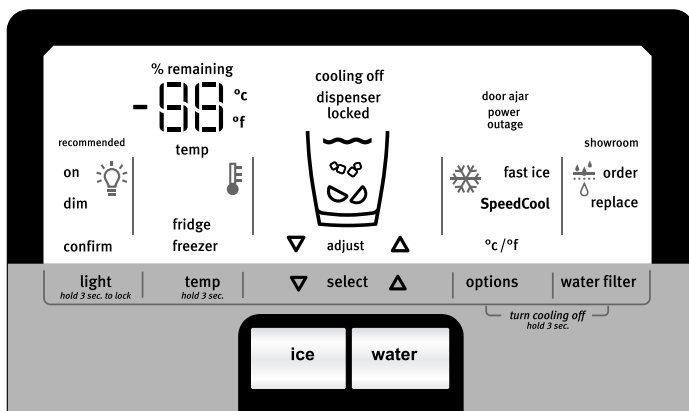
Using the Controls

The controls are located above the external dispenser.

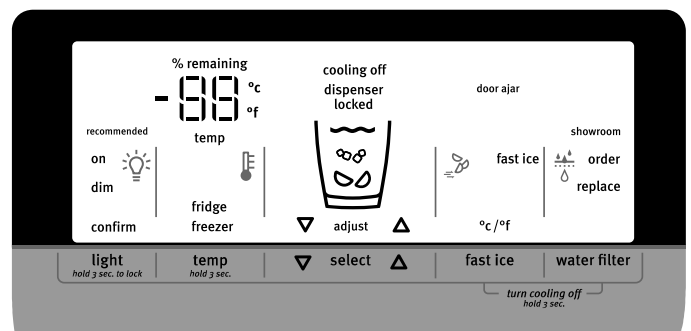
IMPORTANT:

- Depending on your model you may have **Style 1** or **Style 2** controls. Please follow the instructions specific to your model.
- **Style 1** controls are shown in the following graphics except where indicated.
- The control panel display will turn off automatically and enter “sleep” mode when the control buttons and dispenser pads have not been used for 2 minutes or more. Press any control to reactivate the display screen.

Style 1



Style 2



Viewing and Adjusting Temperature Set Points

For your convenience, your refrigerator and freezer temperature controls are set to the recommended set points at the factory.

When you first install your refrigerator, make sure the temperature controls are still set to the recommended set points. The recommended set points are 37°F (3°C) for the refrigerator and 0°F (-18°C) for the freezer.

IMPORTANT:

- Wait 24 hours before you put food into the refrigerator. If you add food before the refrigerator has cooled completely, your food may spoil.

NOTE: Adjusting the set points to a colder than recommended setting will not cool the compartments any faster.

- If the temperature is too warm or too cold in the refrigerator or freezer, first check the air vents to be sure they are not blocked before adjusting the controls.

- The recommended set points should be correct for normal household use. The controls are set correctly when milk or juice is as cold as you like and when ice cream is firm.

NOTE: Areas such as a garage or porch, may experience hotter or colder temperatures and higher humidity than inside the home. You may need to adjust the temperature away from the recommended set points to accommodate for these conditions.

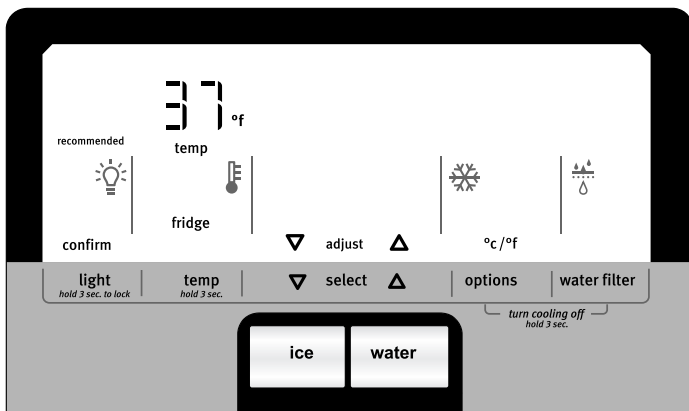
- Wait at least 24 hours between adjustments. Recheck the temperatures before other adjustments are made.

View Temperature Set Points

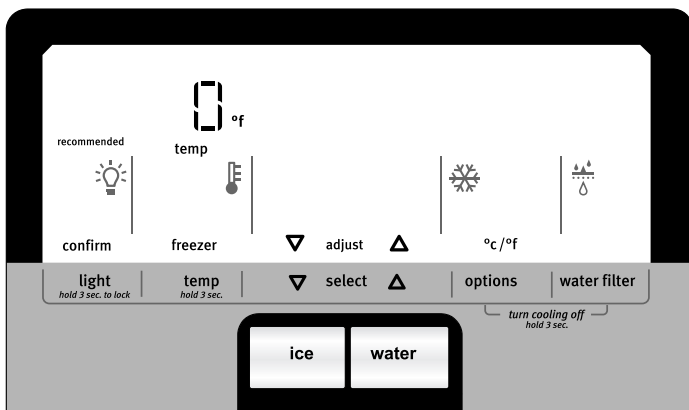
1. Press and hold TEMP for 3 seconds to activate Temperature mode.
2. When Temperature mode is activated, press TEMP to toggle between Fridge and Freezer. The display will show the temperature set point of the selected compartment, as shown.

NOTE: To view temperatures in degrees Celsius, press OPTIONS. To return the display setting to degrees Fahrenheit, press OPTIONS again.

Recommended Refrigerator Temperature



Recommended Freezer Temperature



Adjust Temperature Set Points

Refrigerator set point range: 33°F to 45°F (0°C to 7°C).

Freezer set point range: -5°F to 5°F (-21°C to -15°C).

1. Press and hold TEMP for 3 seconds to activate Temperature mode.
2. When Temperature mode is activated, press TEMP to select the Refrigerator zone. The display will show the temperature set point of the selected compartment, as shown.

3. Press the adjust UP ARROW to raise the temperature set point or press the adjust DOWN ARROW to lower the temperature set point.
4. When you have finished adjusting the refrigerator set point, press TEMP to change the display to show the freezer set point. When the zone has been changed, “freezer” appears on the display screen.
5. Press the adjust UP ARROW to raise the temperature set point or press the adjust DOWN ARROW to lower the temperature set point.
6. Press LIGHT to save and confirm the new set points, and to return to the home screen.

NOTE: To exit Temp mode without saving changes, allow about 60 seconds of inactivity. The temperature mode will turn off automatically and return to the normal screen.

When adjusting temperature set points, use the following chart as a guide:

CONDITION:	TEMPERATURE ADJUSTMENT:
REFRIGERATOR too cold	REFRIGERATOR Setting 1° higher
REFRIGERATOR too warm	REFRIGERATOR Setting 1° lower
FREEZER too cold	FREEZER Setting 1° higher
FREEZER too warm / too little ice	FREEZER Setting 1° lower

Cooling On/Off

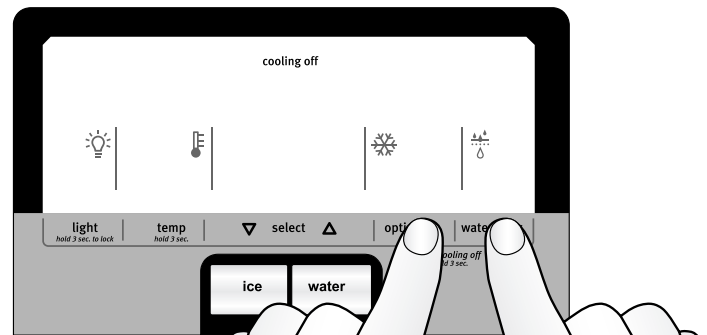
Your refrigerator and freezer will not cool when cooling is turned off. When cooling is off, “cooling off” will light up on the display screen.

To turn cooling Off and On:

Style 1 - Press and hold OPTIONS and WATER FILTER, at the same time, for 3 seconds, as shown.

Style 2 - Press and hold FAST ICE and WATER FILTER, at the same time, for 3 seconds.

IMPORTANT: To avoid unintentionally changing other settings, press both buttons at exactly the same time.



Options

Style 1

To access available features, press the OPTIONS button to toggle through the following choices in a continuous loop:

- **Fast Ice** - The Fast Ice feature assists with temporary periods of heavy ice use by increasing ice production over a 24-hour period. Fast Ice will remain on for 24 hours unless manually turned off.

NOTES:

- Fast Ice works only if the ice maker is turned on. See “Ice Maker and Storage Bin.”
 - If increased ice production is desired at all times, change the freezer set point to a lower setting. Setting the freezer to a colder temperature may make some foods, such as ice cream, harder.
 - **SpeedCool** - The SpeedCool feature assists with periods of high refrigerator use, full grocery loads, or temporarily warm room temperatures. SpeedCool will remain on for 24 hours unless manually turned off.
- NOTE:** If you adjust the refrigerator temperature set point, SpeedCool will turn off.
- **Fast Ice and Speed Cool** - Indicates that both features are on.
 - **Turn all OFF (default)** - All options are off.

Style 2

- **Fast Ice** - The Fast Ice feature assists with temporary periods of heavy ice use by increasing ice production over a 24-hour period. Fast Ice will remain on for 24 hours unless manually turned off.
- Press the FAST ICE button to activate the Fast Ice feature.
- NOTES:**
- Fast Ice works only if the ice maker is turned on. See “Ice Maker and Storage Bin.”
 - If increased ice production is desired at all times, change the freezer set point to a lower setting. Setting the freezer to a colder temperature may make some foods, such as ice cream, harder.

Additional Features

Water Filter Status

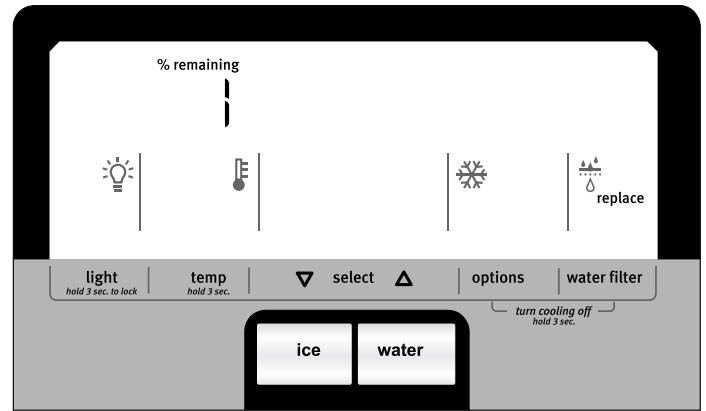
Press WATER FILTER to display the percentage of use remaining in the water filter (from 99% to 1%).

ALSO

The water filter status lights will let you know when to replace the water filter. See “Water Filtration System.”

- **ORDER (Yellow)** - Order a replacement water filter.
- **REPLACE (Red)** - Replace the water filter.

NOTE: REPLACE will remain illuminated if a filter is not installed or installed incorrectly.



Door Ajar Alarm

The Door Ajar alarm lets you know when the refrigerator door or freezer drawer has been open for 5 minutes or longer and the cooling is turned on.

The words “Door Ajar” will appear on the control panel display and the Alarm feature will sound an alert tone. The alert tone will repeat every 2 minutes. Close the doors and drawer to turn off the tone. The feature is reset and will reactivate when either door or drawer is again left open for 5 minutes.

NOTE: To mute the alert tone while keeping the doors open, such as while cleaning the inside of the refrigerator, press any button on the control panel. The alert tone will be temporarily turned off, but the “Door Ajar” icon will still be displayed on the dispenser control panel.

Power Outage Indicator (on some models)

The Power Outage indicator lets you know if the power supply to the refrigerator has been off and the freezer temperature has risen to 18°F (-8°C) or higher.

The words “Power Outage” will appear on the control panel display and an alert tone will sound three times. “Power Outage” will continue to blink until you acknowledge the power outage.

- Press any control button to confirm. The Power Outage icon will disappear, and the control panel will return to the Home screen.

Disabling Sounds (on some models)

When the control panel is muted, all tones, except alert tones are disabled.

- To turn Off/On control and dispenser sounds, press and hold LIGHT and WATER FILTER at the same time for 3 seconds.

Showroom Mode

This mode is used only when the refrigerator is on display in a retail store. If you unintentionally turn on Showroom mode, the word “Showroom” will appear on the display. All lights and controls will function, but the refrigerator will not cool.

To exit Showroom Mode:

Style 1 - Press TEMP and OPTIONS at the same time for 3 seconds

Style 2 - Press TEMP and FAST ICE at the same time for 3 seconds.

Water and Ice Dispensers

IMPORTANT:

- Allow 3 hours for the refrigerator to cool down and chill water.
- Allow 24 hours to produce the first batch of ice. Discard the first three batches of ice produced. Allow 2 to 3 days for the storage bin to fill completely following installation.
- The dispensing system will not operate when either refrigerator door or the freezer drawer is open.

Flush the Water System

Air in the water dispensing system can cause the water dispenser to drip. After connecting the refrigerator to a water source or replacing the water filter, flush the water system.

Flushing the water dispensing system, forces air from the water line and filter and prepares the water filter for use. Additional flushing may be required in some households.

NOTE: As air is cleared from the system, water may spurt out of the dispenser.

1. Using a sturdy container, depress and hold the water dispenser pad for 5 seconds.
2. Release the dispenser pad for 5 seconds. Repeat steps 1 and 2 until water begins to flow.
3. Once water begins to flow, continue depressing and releasing the dispenser pad (5 seconds on, 5 seconds off) until a total of 3 gal. (12 L) has been dispensed.

The Water Dispenser

IMPORTANT:

- Dispense at least 1 qt (1 L) of water every week to maintain a fresh supply.
- If the flow of water from the dispenser decreases, it could be caused by low water pressure.

To check water pressure:

- With the water filter removed, dispense 1 cup of water. If 1 cup of water is dispensed in 8 seconds or less, the water pressure to the refrigerator meets the minimum requirement.
- If it takes longer than 8 seconds to dispense 1 cup of water, the water pressure to the refrigerator is lower than recommended. See “Water Supply Requirements” and “Troubleshooting” for suggestions.

The Ice Dispenser

Ice dispenses from the ice maker storage bin. To turn off the ice maker, see “Ice Maker and Storage Bin.”

The dispenser may continue to make noise and ice may continue to dispense for several seconds after releasing the dispenser button or pad.

IMPORTANT: If the ice cubes are hollow or have an irregular shape, it could be because of low water pressure. See “Water Supply Requirements.”

To Clean the Ice Dispenser Chute:

Humidity causes ice to naturally clump together. Ice particles can build up until the ice dispenser chute becomes blocked.

If ice is not dispensed regularly, it may be necessary to empty the ice storage bin and clean the ice delivery chute, the ice storage bin and the area beneath the storage bin every 2 weeks.

- If necessary, remove the ice clogging the storage bin and delivery chute, using a plastic utensil.
- Clean the ice delivery chute and the bottom of the ice storage bin using a warm, damp cloth and dry thoroughly.

Dispensing

IMPORTANT:

- Hold the glass close to the dispenser opening so water or ice will fall into the glass.
- You do not need to apply a lot of pressure to the button or pad to activate the dispenser. Pressing hard will not make water or ice dispense faster or in greater quantities.

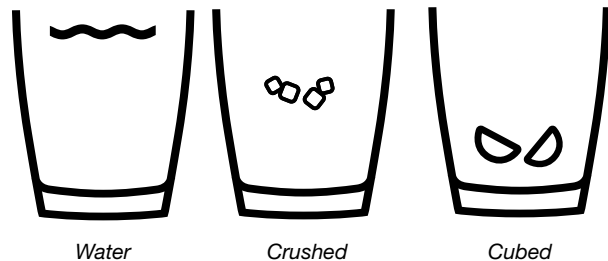
Press SELECT to toggle through the following choices in a continuous loop. The icons on the display indicate your selection.

- Water (default) - Dispenses water
- Crushed Ice - Dispenses crushed ice

NOTE: Cubes are crushed before being dispensed. This may cause a slight delay when dispensing crushed ice. Noise from the ice crusher is normal, and pieces of ice may vary in size.

- Cubed Ice - Dispenses cubed ice.

NOTE: When changing from crushed to cubed, a few ounces of crushed ice will be dispensed along with the first cubes.



To Dispense Water

1. Press and hold the WATER button to start dispensing water.
2. Release the button to stop dispensing.

OR

1. Press a sturdy glass against the dispenser pad.
2. Remove the glass to stop dispensing.

! WARNING



Cut Hazard

Use a sturdy glass when dispensing ice.

Failure to do so can result in cuts.

To Dispense Ice

1. Press the ICE button to start dispensing ice.
2. Release the button to stop dispensing.

OR

Use

1. Press a sturdy glass against the dispenser paddle.
2. Remove the glass to stop dispensing.

To Dispense Ice and Water

Two dispenser types will be shown on the control panel. Either Water and Crushed Ice or Water and Cubed Ice will appear on the display.

1. Press SELECT to select crushed or cubed ice.
2. Press the ICE button and the WATER button at the same time. Release the buttons when you want to stop dispensing.

OR

1. Press SELECT to select crushed or cubed ice.
2. Press the WATER button and the dispenser paddle at the same time. Release the button and paddle when you want to stop dispensing.

The Dispenser Light

When you use the dispenser, the light will automatically turn on.

To turn on the light when you are not dispensing:

Press LIGHT to toggle through the following choices in a continuous loop:

- OFF (default) - The dispenser light is off
- ON - The dispenser light is on at 100% brightness
- DIM - The dispenser light is on at 50% brightness

The dispenser lights are LEDs that cannot be changed. If it appears that your dispenser lights are not working, see “Troubleshooting” for more information.

The Dispenser Lock

The dispenser can be turned off for easy cleaning or to avoid unintentional dispensing by small children and pets.

NOTE: The lock feature does not shut off power to the refrigerator, to the ice maker, or to the dispenser light. It simply deactivates the controls and dispenser levers. To turn off the ice maker, see “Ice Maker and Storage Bin.”

- To Lock/Unlock the dispenser, press and hold LIGHT for 3 seconds. “Dispenser Locked” will appear on the display.

Ice Maker and Ice Storage Bin (on some models)

IMPORTANT: To avoid low ice production and poor quality ice, flush the water system before turning on the ice maker. See “Water Dispenser.”

- Allow 24 hours to produce the first batch of ice. Discard the first three batches of ice produced. Allow 2 to 3 days for the storage bin to fill completely following installation.
- The quality of your ice will be only as good as the quality of the water supplied to your ice maker. Avoid connecting the ice maker to a softened water supply. Water softener chemicals (such as salt) can damage parts of the ice maker and lead to poor quality ice. If a softened water supply cannot be avoided, make sure the water softener is operating properly and is well maintained.
- If the ice in the storage bin clumps together, break up ice using a plastic utensil and discard. Do not use anything sharp to break up the ice. This can cause damage to the ice bin and the dispenser mechanism.
- Do not store anything in the ice storage bin.

Ice Production Rate

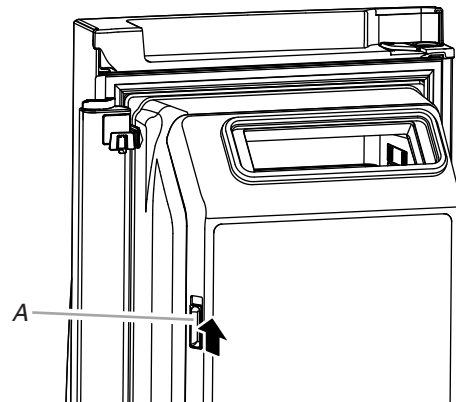
- The ice maker should produce approximately 3 lbs (1.4 kg) of ice per day under normal operation.
- To increase ice production, select the increased ice production feature from the Options menu on the control panel. See “Using the Control(s).”

Style 1 – Ice Maker in the Refrigerator (on some models)

The ice maker is located on the left-hand side of the refrigerator compartment ceiling. Ice cubes are ejected into the ice storage bin, located on the left-hand refrigerator door.

Turn the Ice Maker On/Off

1. Push up on the latch on the left-hand side of the ice compartment to open the door.



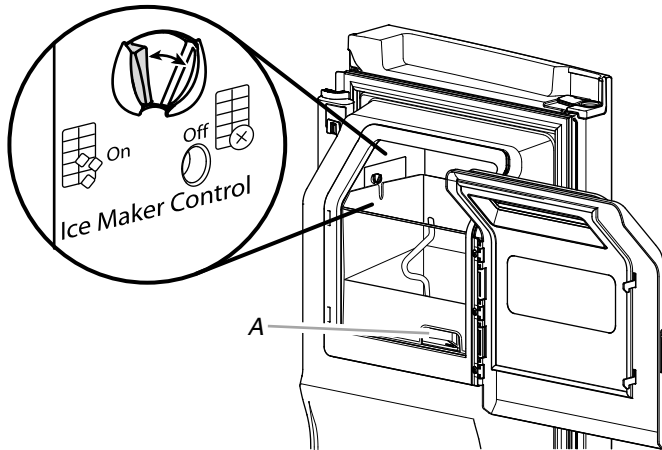
A. Ice compartment door latch

2. Turn on the ice maker by moving the switch to the (left) ON position.

NOTES:

- To manually turn off the ice maker, move the control to the OFF (right) position.

- Your ice maker has an automatic shutoff. The sensor will automatically stop ice production if the storage bin is full, if the door is open or the storage bin is removed. The control will remain in the ON (left) position.



A. Ice storage bin release latch

3. Close the ice compartment door.

Remove and Replace the Ice Storage Bin

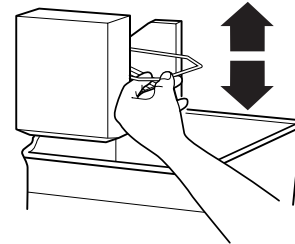
- Remove the ice storage bin by inserting your fingers into the hole at the base of the bin and squeezing the latch to release the bin from the compartment. Lift the storage bin up and pull it straight out.
- Replace the storage bin inside the ice compartment and push down to make sure it is firmly in place.

Style 2 – Ice Maker in the Freezer (on some models)

Turn the Ice Maker On/Off

To turn the ice maker ON, simply lower the wire shutoff arm. To manually turn the ice maker OFF, lift the wire shutoff arm to the OFF (arm up) position and listen for the click.

NOTE: Your ice maker has an automatic shutoff. As ice is made, the ice cubes will fill the ice storage bin and the ice cubes will raise the wire shutoff arm to the OFF (arm up) position. Do not force the wire shutoff arm up or down.



NOTE: Turn off the ice maker before removing the ice storage bin to serve ice or to clean the bin. This will keep the ice cubes from dropping out of the ice maker and into the freezer compartment. After replacing the ice storage bin, turn on the ice maker.

REFRIGERATOR FEATURES

Important information to know about glass shelves and covers:

Do not clean glass shelves or covers with warm water when they are cold. Shelves and covers may break if exposed to sudden temperature changes or impact, such as bumping. Tempered glass is designed to shatter into many small, pebble-size pieces. This is normal. Glass shelves and covers are heavy. Use both hands when removing them to avoid dropping.

Refrigerator Shelves

The shelves in your refrigerator are adjustable to meet your individual storage needs.

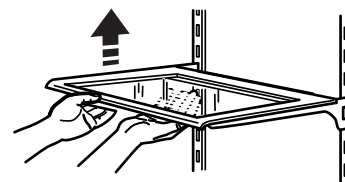
Storing similar food items together in your refrigerator and adjusting the shelves to fit different heights of items will make finding the exact item you want easier. It will also reduce the amount of time the refrigerator door is open, and save energy.

Shelves and Shelf Frames

To remove and replace a shelf/shelf frame:

1. Remove the shelf/frame by tilting it up at the front and lifting it out of the shelf supports.

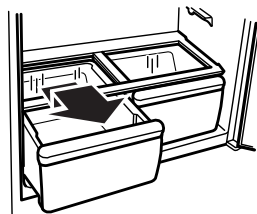
2. Replace the shelf/frame by guiding the rear shelf hooks into the shelf supports. Tilt the front of the shelf up until rear shelf hooks drop into the shelf supports.
3. Lower the front of the shelf and make sure that the shelf is in position.



Crisper and Crisper Cover

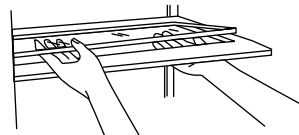
To remove and replace the crisper(s):

1. Slide crisper(s) straight out to the stop. Lift the crisper(s) from the slide rails and pull out the rest of the way.
2. Replace the crisper(s) by placing them on the slide rails and pushing them back into position past the drawer stop.



To remove the crisper(s) cover:

1. Remove crisper(s).
2. Holding the glass insert firmly with one hand, press up in center of glass insert until it rises above the plastic frame. Gently slide the glass insert forward to remove.
3. Lift the cover frame up and remove it.



To replace crisper(s) cover:

1. Fit back of cover frame into supports on side walls of the refrigerator and lower the front of the cover frame into place.
2. Slide rear of glass insert into cover frame and lower front into place.

Crisper Humidity Control

You can control the amount of humidity in the moisture-sealed crisper. Adjust the control to any setting between LOW (open) and HIGH (closed).

LOW - Move control to the far left-hand side to allow moist air out of the crisper for best storage of fruits and vegetables with skins.

- Fruit: Wash, let dry and store in refrigerator in plastic bag or crisper. Do not wash or hull berries until they are ready to use. Sort and keep berries in original container in crisper, or store in a loosely closed paper bag on a refrigerator shelf.
- Vegetables with skins: Place in plastic bags or plastic container and store in crisper.

HIGH - Move control to the far right-hand side to keep moist air in the crisper for best storage of fresh, leafy vegetables.

- Leafy vegetables: Wash in cold water, drain and trim or tear off bruised and discolored areas. Place in plastic bag or plastic container and store in crisper.

Moisture Control



Temperature-Controlled Drawer

IMPORTANT: This control sets the temperature for only this drawer. It does not set the temperature for, or turn off cooling to the refrigerator or freezer compartments.

The full-width, temperature-controlled drawer can be used to store large deli trays, fresh meat, beverages or other items that you want to store at an optimum temperature.

Depending on your model, you will have either an Electronic Control or a Manual Control. Use the directions specific to your model.

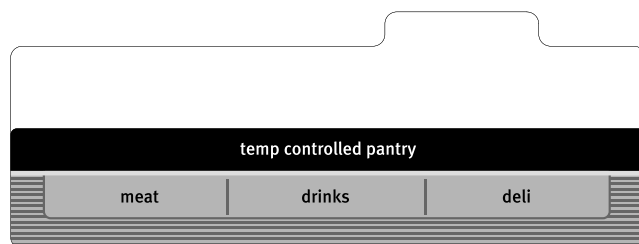
NOTE: Do not place leafy vegetables in the temperature-controlled drawer. The colder temperatures could damage leafy produce.

Style 1 – Electronic Control

Press the button that corresponds with the items stored in the drawer.

- Meat (coldest)
- Drinks (default)
- Deli (least cold)

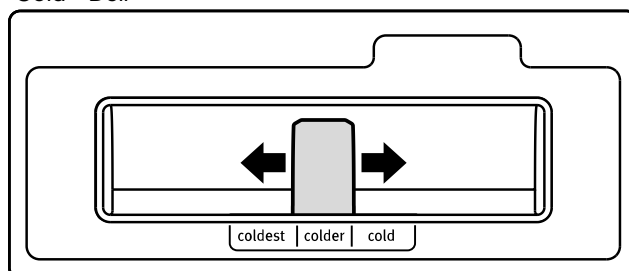
NOTE: If no button is pressed, the control will revert to DRINKS, the default setting.



Style 2 – Manual Control

Slide the control to the temperature setting best suited for the items stored in the drawer.

- Coldest - Meat
- Colder - Drinks
- Cold - Deli



Drawer Removal and Replacement

To remove the drawer:

1. Push the drawer completely closed.
2. Lift up the front of the drawer and pull it straight out.

To replace the drawer:

1. Push the metal glide rails to the rear of the refrigerator.
2. Place the drawer onto the glide rails. While tilting the rear of the drawer upward, slide the drawer toward the rear of the refrigerator.

Drawer Divider

To remove the divider:

1. Pull the drawer out to its full extension.
2. Lift the front of the divider and lift the divider out.

To replace the divider:

1. Position the divider so that the features on the bottom of the divider align with the matching features in the drawer.
2. Lower the divider into place.

Meat Storage Guide

Store most meat in original wrapping as long as it is airtight and moisture-proof. Rewrap if necessary. See the following chart for storage times. When storing meat longer than the times given, freeze the meat.

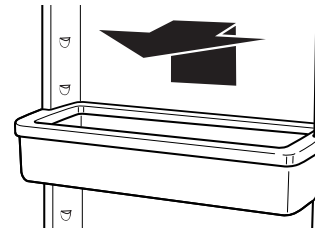
Fresh fish or shellfish	use same day as purchased
Chicken, ground beef, variety meats (liver).....	1-2 days
Cold cuts, steaks/roasts	3-5 days
Cured meats	7-10 days
Leftovers - Cover leftovers with plastic wrap, aluminum foil, or plastic containers with tight lids.	

DOOR FEATURES

Door Bins

To remove and replace the bins:

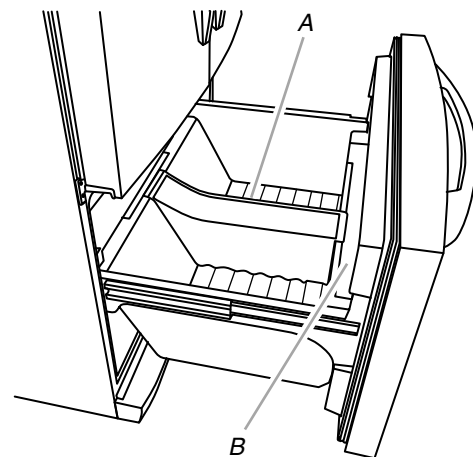
1. Remove the bin by lifting it up and pulling it straight out.
2. Replace the bin by sliding it in above the desired support and pushing it down until it stops.



FREEZER FEATURES

Pizza Pocket and Drawer Divider

The drawer divider is not removable. For storage flexibility, the divider can be moved a few inches to either side allowing you to store larger items in one section of the freezer drawer.




A. Drawer divider
B. Pizza pocket

REFRIGERATOR CARE

Cleaning

⚠ WARNING



Explosion Hazard

Use nonflammable cleaner.

Failure to do so can result in death, explosion, or fire.

Both the refrigerator and freezer sections defrost automatically. However, clean both sections about once a month to avoid buildup of odors. Wipe up spills immediately.

Exterior Cleaning

Please see the exterior cleaning information specific to your model.

Style 1 – Smooth Door

IMPORTANT: Damage to smooth finish due to improper use of cleaning products, or using non-recommended cleaning products, is not covered under the warranty. Sharp or blunt instruments will mar the finish.

DO USE	DO NOT USE
<ul style="list-style-type: none"> ✓ Soft, clean cloth 	<ul style="list-style-type: none"> ✗ Abrasive cloths ✗ Paper towels or newsprint ✗ Steel-wool pads
<ul style="list-style-type: none"> ✓ Warm, soapy water - use a mild detergent 	<ul style="list-style-type: none"> ✗ Abrasive powders or liquids ✗ Window sprays ✗ Ammonia ✗ Acidic or vinegar based cleaners ✗ Oven cleaners ✗ Flammable fluids

NOTE: Paper towels scratch and may dull the clear coat of the painted door. To avoid possible damage use only soft clean clothes to polish and wipe the door.

Style 2 – Stainless Steel

IMPORTANT:

■ Damage to stainless steel finish due to improper use of cleaning products, or using non-recommended cleaning products, is not covered under the warranty.

DO USE	DO NOT USE
<ul style="list-style-type: none"> ✓ Soft, clean cloth 	<ul style="list-style-type: none"> ✗ Abrasive cloths ✗ Paper towels or newsprint ✗ Steel-wool pads
<ul style="list-style-type: none"> ✓ Warm, soapy water 	<ul style="list-style-type: none"> ✗ Abrasive powders or liquids ✗ Ammonia ✗ Citrus-based cleaners ✗ Acidic or vinegar-based cleaners ✗ Oven cleaners
<ul style="list-style-type: none"> ✓ For heavy soil, ONLY a stainless steel cleaner designed for appliances. To order the cleaner, see "Accessories." 	<ul style="list-style-type: none"> ✗ Stainless steel cleaner is for stainless steel parts only! Do not allow the Stainless Steel Cleaner and Polish to come into contact with any plastic parts such as the trim pieces, dispenser covers or door gaskets.

NOTES:

- If unintentional contact does occur, clean plastic part with a sponge and mild detergent in warm water. Dry thoroughly with a soft cloth.
- Just because a cleaner is a liquid does not mean it is nonabrasive. Many liquid cleansers formulated to be gentle on tile and smooth surfaces still damage stainless steel.
- Citric acid permanently discolors stainless steel. To avoid damaging the finish of your stainless steel refrigerator:

Do not allow these substances to remain on the finish

- | | |
|------------------|-------------------------|
| ✗ Mustard | ✗ Citrus-based sauces |
| ✗ Tomato juice | ✗ Citrus-based products |
| ✗ Marinara sauce | |

Interior Cleaning

1. Unplug refrigerator or disconnect power.
2. Hand wash, rinse, and dry removable parts and interior surfaces thoroughly. Use a clean sponge or soft cloth and a mild detergent in warm water.

NOTE: Do not use abrasive or harsh cleaners such as window sprays, scouring cleansers, flammable fluids, cleaning waxes, concentrated detergents, bleaches or cleansers containing petroleum products on plastic parts, interior and door liners or gaskets.

3. Plug in refrigerator or reconnect power.

Condenser Cleaning

There is no need for routine condenser cleaning in normal home operating environments. If the environment is particularly greasy or dusty, or there is significant pet traffic in the home, the condenser should be cleaned every 2 to 3 months to ensure maximum efficiency.

If you need to clean the condenser:

1. Unplug refrigerator or disconnect power.
2. Remove the base grille.

3. Use a vacuum cleaner with a soft brush to clean the grille, the open areas behind the grille and the front surface area of the condenser.
4. Replace the base grille when finished.
5. Plug in refrigerator or reconnect power.

Lights

The lights in both the refrigerator and freezer compartments are LEDs which do not need to be replaced. If the lights do not illuminate when the door or drawer is opened, call for assistance or service. In the U.S.A., call **1-800-253-1301**. In Canada call **1-800-807-6777**.

Vacation and Moving Care

Vacations

If You Choose to Leave the Refrigerator On While You're Away:

1. Use up any perishables and freeze other items.
2. If your refrigerator has an automatic ice maker, and is connected to the household water supply, turn off the water supply to the refrigerator. Property damage can occur if the water supply is not turned off.
3. If you have an automatic ice maker, turn off the ice maker.
NOTE: Depending on your model, raise the wire shutoff arm to OFF (up) position, or press the switch to OFF.
4. Empty the ice bin.

If You Choose to Turn Off the Refrigerator Before You Leave:

1. Remove all food from the refrigerator.
2. If your refrigerator has an automatic ice maker:
 - Turn off the water supply to the ice maker at least one day ahead of time.
 - When the last load of ice drops, raise the wire shutoff arm to the OFF (up) position or press the switch to OFF, depending on your model.
3. Turn off the Temperature control(s). See "Using the Control(s)."
4. Clean refrigerator, wipe it, and dry well.
5. Tape rubber or wood blocks to the tops of both doors to prop them open far enough for air to get in. This stops odor and mold from building up.

Moving

When you are moving your refrigerator to a new home, follow these steps to prepare it for the move.

1. If your refrigerator has an automatic ice maker:
 - Turn off the water supply to the ice maker at least one day ahead of time.
 - Disconnect the water line from the back of the refrigerator.
 - When the last load of ice drops, raise the wire shutoff arm to the OFF (up) position or press the switch to OFF, depending on your model.
2. Remove all food from the refrigerator and pack all frozen food in dry ice.
3. Empty the ice bin.
4. Turn off the Temperature control(s). See "Using the Control(s)."
5. Unplug refrigerator.
6. Clean, wipe, and dry thoroughly.
7. Take out all removable parts, wrap them well, and tape them together so they don't shift and rattle during the move.
8. Depending on the model, raise the front of the refrigerator so it rolls more easily OR raise the leveling screws so they don't scrape the floor. See "Adjust the Door(s)."
9. Tape the doors closed and tape the power cord to the back of the refrigerator.


When you get to your new home, put everything back and refer to the "Installation Instructions" section for preparation instructions. Also, if your refrigerator has an automatic ice maker, remember to reconnect the water supply to the refrigerator.

TROUBLESHOOTING

First try the solutions suggested here or visit our website and reference FAQs (Frequently Asked Questions) to possibly avoid the cost of a service call.
 In the U.S.A., www.maytag.com In Canada, www.maytag.ca

Operation

⚠ WARNING



Electrical Shock Hazard

Plug into a grounded 3 prong outlet.
 Do not remove ground prong.
 Do not use an adapter.
 Do not use an extension cord.
 Failure to follow these instructions can result in death, fire, or electrical shock.

PROBLEM	POSSIBLE CAUSES	SOLUTIONS
The refrigerator will not operate	Check electrical supply	Plug the power cord into a grounded 3 prong outlet. Do not use an extension cord. Make sure there is power to the outlet. Plug in a lamp to see if the outlet is working. Reset a tripped circuit breaker. Replace any blown fuses. NOTE: If problems continue, contact an electrician.
	Check controls	Make sure the controls are turned on. See "Using the Control(s)."
	New installation	Allow 24 hours following installation for the refrigerator to cool completely. NOTE: Adjusting the temperature controls to the coldest setting will not cool either compartment more quickly.
	Refrigerator control is in Showroom mode (on some models)	If the refrigerator is in Showroom mode, cooling is turned off and "Showroom" will be illuminated on the control panel. See "Using the Control(s)" for more information.

PROBLEM	POSSIBLE CAUSES	SOLUTIONS
The motor seems to run too much	High efficiency compressor and fans	Larger, more efficient refrigerators run longer at lower, more energy efficient speeds.
	The room or outdoor temperature is hot.	It is normal for the refrigerator to work longer under these conditions. For optimum performance, place the refrigerator in an indoor, temperature controlled environment. See “Location Requirements.”
	A large amount of warm food has been recently added.	Warm food will cause the refrigerator to run longer until the air cools to the desired temperature.
	The door(s) are opened too frequently or for too long.	Warm air entering the refrigerator causes it to run more. Open the door less often.
	The refrigerator door or freezer drawer is ajar.	Make sure the refrigerator is level. See “Door Closing and Door Alignment.” Keep food and containers from blocking the door.
	The refrigerator control is set too cold.	Adjust the refrigerator control to a less cold setting until the refrigerator temperature is as desired.
	The door or drawer gasket is dirty, worn, or cracked.	Clean or change the gasket. Leaks in the door seal will cause the refrigerator to run longer in order to maintain desired temperatures.
The lights do not work	Your refrigerator is equipped with LED lighting which does not need to be replaced.	If there is power to the refrigerator and the lights do not illuminate when a door or drawer is opened, call for service or assistance.
	The dispenser light is set to OFF	On some models, the dispenser light will operate only when a dispenser paddle is pressed. If you want the dispenser light to stay on continuously, see “Water and Ice Dispensers.”
	Doors have been open longer than 10 minutes	Close the doors and drawer to reset, and open to resume lighted task.
Pantry Temperature Control not lit/unresponsive	The refrigerator is in Cooling Off mode	Exit Cooling Off mode. See “Using the Control(s).”
	The refrigerator controls’ initialization process did not complete successfully.	Unplug the refrigerator, wait 5 seconds. Plug in the refrigerator, and wait 30 seconds before opening any of the refrigerator doors or touching the control panel.

Noise

To listen to normal refrigerator sounds, go to the Product Help/FAQ section of the brand website and search for “normal sounds.”

PROBLEM	POSSIBLE CAUSES	SOLUTIONS
The refrigerator seems noisy Below are listed some normal sounds with explanations.	The compressor in your new refrigerator regulates temperature more efficiently while using less energy, and operates quietly. Due to this reduction in operating noise you may notice unfamiliar noises that are normal.	
Sound of the compressor running longer than expected	High-efficiency compressor and fans	Larger, more efficient refrigerators run longer at lower, more energy efficient speeds.
Pulsating/Whirring	Fans/compressor adjusting to optimize performance during normal compressor operation	This is normal.
Popping	Contraction/expansion of inside walls, especially during initial cool-down	This is normal.
Hissing/Dripping	Flow of refrigerant, or flow of oil in the compressor	This is normal.
Vibration	The refrigerator may not be steady	Adjust the leveling screws and lower the leveling foot firmly against the floor. See “Door Closing and Door Alignment.”
Rattling/Banging	Movement of the water lines against the refrigerator cabinet, or of items placed on top of the refrigerator cabinet	Move excess water line away from the refrigerator cabinet or fasten excess tubing to the cabinet. See “Connecting the Water,” or remove items from the top of the refrigerator.

PROBLEM	POSSIBLE CAUSES	SOLUTIONS
Sizzling	Water dripping on the heater during defrost cycle	This is normal.
Water running/Gurgling	May be heard when ice melts during the defrost cycle and water runs into the drain pan	This is normal.
Buzzing and Clicking	Heard when the water valve opens and closes to dispense water and/or fill the ice maker.	If the refrigerator is connected to a water line, this is normal. If the refrigerator is not connected to a water line, turn OFF the ice maker.
Repetitive Clicking	Dual evaporator valve regulating the cooling operation	You may hear rapid repetitive clicking sounds as the unit switches from cooling one compartment to cooling the other. This sound is normal.
Creaking/Cracking/Grinding	May be heard as ice is being ejected from the ice maker mold	This is normal.
Clatter	May be heard when the ice falls into the ice storage bin	This is normal.

Temperature and Moisture

PROBLEM	POSSIBLE CAUSES	SOLUTIONS
Temperature is too warm	The refrigerator has just been installed.	Allow 24 hours following installation for the refrigerator to cool completely.
	Cooling is turned off.	Turn on cooling. See "Using the Control(s)."
	The controls are not set correctly for the surrounding conditions.	Adjust the controls a setting colder. Check the temperature in 24 hours. See "Using the Control(s)."
	The door(s) are opened often or not closed completely.	Allows warm air to enter refrigerator. Minimize door openings and keep doors fully closed.
Temperature is too cold in the refrigerator/crisper	A large load of food was recently added.	Allow several hours for refrigerator to return to normal temperature.
	The refrigerator air vent(s) are blocked.	If the air vent located in the top, left, rear corner of the refrigerator compartment is blocked by items placed directly in front of it, the refrigerator will get too cold. Move items away from the air vent.
	The controls are not set correctly for the surrounding conditions.	Adjust the controls a setting warmer. Check the temperature in 24 hours. See "Using the Control(s)."
Temperature is too cold in the pantry drawers	The ice storage bin is not in the correct position.	See "Ice Maker and Ice Storage Bin."
	The control is not set correctly for the items stored in drawer.	Adjust the temperature setting. See "Temperature Controlled Drawer" in the "Refrigerator Features" section.
There is interior moisture buildup NOTE: Some moisture buildup is normal.	The room is humid	A humid environment contributes to moisture buildup.
	The door(s) are opened often or not closed completely.	Allows humid air to enter the refrigerator. Minimize door openings and close doors completely.
	The door is blocked open	Move food packages away from door.
	A bin or shelf is in the way	Push bin or shelf back into the correct position.
	Storing liquid in open containers	This adds humidity to the refrigerator interior. Keep all containers tightly covered.
There is frost/ice buildup in the freezer compartment	The drawer is opened often or left open.	Minimize drawer openings and close drawer completely after use.
	Poor door seal	Ensure door seals are making full contact with the refrigerator cabinet to allow for an adequate seal.
	Temperature controls are not set correctly	See "Using the Control(s)" for recommended temperature settings.

Ice and Water

PROBLEM	POSSIBLE CAUSES	SOLUTIONS
The ice maker is not producing ice or is not producing enough ice	The refrigerator is not connected to a water supply or the water supply shutoff valve is not turned on.	Connect refrigerator to water supply and turn water shutoff valve fully open.
	There is a kink in the water source line.	A kink in the line can reduce water flow. Straighten the water source line.
	The ice maker is not turned on.	Make sure the ice maker is on. See “Ice Maker and Ice Storage Bin.”
	The refrigerator has just been installed.	Wait 24 hours after ice maker installation for ice production to begin. Wait 3 days for full ice production.
	The refrigerator door is not closed completely.	Close the door firmly. If it does not close completely, see “The doors will not close completely.”
	A large amount of ice was recently removed.	Allow sufficient time for ice maker to produce more ice. See “Ice Maker and Ice Storage Bin” for ice production rates.
	An ice cube is jammed in the ice maker ejector arm.	Remove ice from the ejector arm with a plastic utensil.
	A water filter is installed on the refrigerator.	Remove the water filter and operate the ice maker. If ice volume improves, then the filter may be clogged or incorrectly installed. Replace filter or reinstall it correctly.
The ice cubes are hollow or small NOTE: This is an indication of low water pressure.	A reverse osmosis water filtration system is connected to your cold water supply.	This can decrease water pressure. See “Water Supply Requirements.”
	The water shutoff valve is not fully open.	Turn the water shutoff valve fully open.
	There is a kink in the water source line.	A kink in the line can reduce water flow. Straighten the water source line.
	A water filter is installed on the refrigerator.	Remove filter and operate ice maker. If ice quality improves, then the filter may be clogged or incorrectly installed. Replace filter or reinstall it correctly.
	A reverse osmosis water filtration system is connected to your cold water supply.	This can decrease water pressure. See “Water Supply Requirements.”
Questions remain regarding water pressure.	Call a licensed, qualified plumber.	

PROBLEM	POSSIBLE CAUSES	SOLUTIONS
Off-taste, odor or gray color in the ice or water	Newly installed refrigerator requires flush of water system.	Flush the water system. See “Water and Ice Dispensers” for water system flushing instructions.
	Recently installed or replaced plumbing connections. New plumbing connections can cause discolored or off-flavored ice and water.	Discard the ice and wash the ice storage bin. Flush the water system with 3 gal. (12 L) of water. Allow 24 hours for the ice maker to make new ice, and discard the first 3 batches of ice produced.
	Using a water supply connection type other than recommended.	It is recommended to use copper tubing or Whirlpool supply line, Part Number 8212547RP. See “Connect to Water Line.”
	The ice has been stored too long.	Discard ice. Wash ice storage bin. Allow 24 hours for ice maker to make new ice.
	The water has been stored too long.	Dispense at least 1 qt (1 L) of water per week to maintain a fresh supply.
	Odor from stored food has transferred to the ice.	Use airtight, moisture proof packaging to store food.
	There are minerals (such as sulfur) in the water.	A water filter may need to be installed to remove the minerals.
	There is a water filter installed on the refrigerator.	Gray or dark discoloration in ice may indicate that the water filtration system needs additional flushing. Flush the water system after installing and before using a new water filter. See “Water and Ice Dispensers” for water filter flushing instructions.
	The water filter needs to be replaced.	Replace the disposable water filter at least every 6 months or when indicated. See “Water Filtration System.”
The water and ice dispenser will not operate properly	The refrigerator is not connected to a water supply or the water supply shutoff valve is not turned on.	Connect the refrigerator to the water supply and turn the water shutoff valve fully open.
	There is a kink in the water source line	A kink in the water line can reduce water flow from the water dispenser and result in hollow or irregular shaped ice. Straighten the water source line.
	The refrigerator has just been installed.	Flush and fill the water system. See “Water and Ice Dispensers.”
	The water pressure to the house is not at or above 35 psi (241 kPa).	The water pressure to the house determines the flow from the dispenser. See “Water Supply Requirements.”
	A reverse osmosis water filtration system is connected to your cold water supply.	A reverse osmosis water filtration system can decrease water pressure. See “Water Supply Requirements.”
	The water filter may be clogged.	Remove the water filter and operate dispenser. If water flow increases, your filter is clogged and needs to be replaced. See “Water Filtration System.”
	The water filter is installed incorrectly	Remove the water filter and reinstall. See “Water Filtration System.”
	The refrigerator door or freezer drawer is not closed completely.	Close the door or drawer firmly. If it does not close completely, see “The doors will not close completely.”
	The refrigerator doors were recently removed.	Make sure the water dispenser wire/tube assembly has been properly reconnected at the top of the refrigerator door. See “Refrigerator Doors and Drawer.”
	Ice is clogged in the ice storage bin or ice is blocking the ice delivery chute.	Remove the ice clogging the storage bin and delivery chute, using a plastic utensil if necessary. Clean the ice delivery chute and the bottom of the ice storage bin using a warm, damp cloth, then dry both thoroughly. To avoid clogging and to maintain a fresh supply of ice, empty the storage bin and clean both the storage bin and delivery chute every 2 weeks.
The ice dispenser jams while dispensing crushed ice	Crushed ice is blocking the ice delivery chute.	Switch from crushed ice to cubed ice to clear the ice dispenser. Then switch back to crushed ice.

PROBLEM	POSSIBLE CAUSES	SOLUTIONS
Water is leaking or dripping from the dispenser system NOTE: A few drops of water after dispensing is normal.	The glass was not held under the dispenser long enough.	Hold the glass under the dispenser 2 to 3 seconds after releasing the dispenser lever.
Water continues to drip from the dispenser beyond the first few drops.	The refrigerator has just been installed.	Flushing the water system removes the air from the lines which causes the water dispenser to drip. Flush the water system. See “Water and Ice Dispensers.”
	The water filter was recently installed or replaced.	Flushing the water system removes the air from the lines which causes the water dispenser to drip. Flush the water system. See “Water and Ice Dispensers.”
Water is leaking from the back of the refrigerator	The water line connections were not fully tightened.	See “Connecting the Water.”
	Recently removed the doors and did not fully tighten water line connection	See “Refrigerator Doors and Drawer.”
Water from the dispenser is warm	Water from the dispenser is chilled to 50°F (10°C).	This is normal.
	The refrigerator has just been installed.	Allow 24 hours after installation for the water supply to cool completely.
	A large amount of water was recently dispensed.	Allow 3 hours for the water supply to cool completely.
	Water has not been recently dispensed.	The first glass of water may not be cool. Discard the first glass of water dispensed.
	The refrigerator is not connected to a cold water pipe.	Make sure the refrigerator is connected to a cold water pipe. See “Water Supply Requirements.”

Doors



To view an animation showing how to adjust and align the doors, refer to the Product Help/FAQ section of the brand website and search for “door closing and door alignment.”

PROBLEM	POSSIBLE CAUSES	SOLUTIONS
The doors will not close completely	The door is blocked open.	Move food packages away from door.
	A bin or shelf is in the way.	Push bin or shelf back into the correct position.
	Recently installed	Remove all packaging materials.
The doors are difficult to open	The door gaskets are dirty or sticky.	Clean gaskets and contact surfaces with mild soap and warm water. Rinse and dry with soft cloth.
The doors appear to be uneven	The doors need to be aligned, or the refrigerator needs to be leveled.	See “Refrigerator Leveling, Door Closing and Alignment.”
The refrigerator is unsteady or it rolls forward when opening and closing doors	The refrigerator brake feet are not snug against the floor	Remove the base grille. Turn both brake feet (one on each side) clockwise, the same amount, until they are snug against the floor. See “Refrigerator Leveling, Door Closing and Alignment.”

WATER FILTER CERTIFICATIONS

State of California
Department of Public Health
Water Treatment Device
Certificate Number
12-2128
Date Issued: January 30, 2012

Trademark/Model Designation

Whirlpool P6WB2L
Whirlpool P6WB2NL

Replacement Element:

P6RFWB2

Manufacturer: Whirlpool Corporation

The water treatment device(s) listed on this certificate have met the testing requirements pursuant to Section 116830 of the Health and Safety Code for the following health related contaminants:

Microbiological Contaminants and Turbidity

Cysts (protozoan)

Inorganic/Radiological Contaminants

Asbestos
Lead

Organic Contaminants

Atrazine
Lindane
Toxaphene
2, 4-D

Rated Service Capacity: 200 gal

Rated Service Flow: .043 gpm

Do not use where water is microbiologically unsafe or with water of unknown quality, except that systems certified for cyst reduction may be used on disinfected waters that may contain filterable cysts.

Certificate

PERFORMANCE DATA SHEET

Water Filtration System

Model P6WB2L/P6RFWB2 Capacity 200 Gallons (757 Liters)
Model P6WB2NL/P6RFWB2 Capacity 200 Gallons (757 Liters)



System tested and certified by NSF International against NSF/ANSI Standard 42 for the reduction of Chlorine Taste and Odor, and Particulate Class I*; and against NSF/ANSI Standard 53 for the reduction of Live Cysts, Asbestos, Lead, Lindane, Toxaphene, Atrazine, and 2,4 - D.

This system has been tested according to NSF/ANSI Standards 42 and 53 for the reduction of the substances listed below. The concentration of the indicated substances in water entering the system was reduced to a concentration less than or equal to the permissible limit for water leaving the system, as specified in NSF/ANSI Standards 42 and 53.

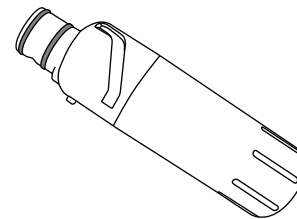
Substance Reduction Aesthetic Effects	NSF Reduction Requirements	Average Influent	Influent Challenge Concentration	Maximum Effluent	Minimum % Reduction	Average % Reduction
Chlorine Taste/Odor Particulate Class I*	50% reduction 85% reduction	2.0 mg/L 7,300,000 #/mL	2.0 mg/L ± 10% At least 10,000 particles/mL	0.20 mg/L 75,000 #/mL**	97 99	97.2 99.4
Contaminant Reduction	NSF Reduction Requirements	Average Influent	Influent Challenge Concentration	Maximum Effluent	Minimum % Reduction	Average % Reduction
Live Cysts†	99.95%	160,000/L	50,000/L min.	54/L†	99.97	99.99
Asbestos	99%	87 MFL	10 ⁷ to 10 ⁸ fibers/L††	0.17 MFL	99	99
Lead: @ pH 6.5 Lead: @ pH 8.5	0.010 mg/L 0.010 mg/L	0.160 mg/L 0.140 mg/L	0.15 mg/L ± 10% 0.15 mg/L ± 10%	0.001 mg/L 0.005 mg/L	99.4 98.6	99.4 98.6
Lindane	0.0002 mg/L	0.0019 mg/L	0.002 mg/L ± 10%	0.00002 mg/L	98.9	99
Toxaphene	0.003 mg/L	0.014 mg/L	0.015 mg/L ± 10%	0.001 mg/L	93	93
Atrazine	0.003 mg/L	0.0094 mg/L	0.009 mg/L ± 10%	0.0005 mg/L	94.5	94.7
2,4 - D	0.07 mg/L	0.220 mg/L	0.210 mg/L ± 10%	0.028 mg/L	87.5	96.1

Test Parameters: pH = 7.5 ± 0.5 unless otherwise noted. Flow = 0.43 gpm (1.6 Lpm). Pressure = 60 psig (413.7 kPa). Temp. = 68°F to 71.6°F (20°C to 22°C). Rated service capacity = 200 gallons (757 liters).

- It is important that operational, maintenance, and filter replacement requirements be carried out for the product to perform as advertised. Property damage can occur if all instructions are not followed.
- Use replacement filter P6RFWB2, part #W10413645A. 2012 suggested retail price of \$39.99 U.S.A./\$49.99 Canada. Prices are subject to change without notice.
- Style 1** – When Order Filter is illuminated yellow, order a new filter. When Replace Filter is illuminated red, it is recommended that you replace the filter.
- Style 2** – Press OPTIONS and select Filter Status to check the status of your water filter. When the filter status shows 10% remaining, order a new filter. When the filter status shows 0% remaining, it is recommended that you replace the filter.
- Style 3** – Press FILTER STATUS to check the status of your water filter. When the filter status shows 10% remaining, order a new filter. When the filter status shows 0% remaining, it is recommended that you replace the filter.
- After changing the water filter, flush the water system. See “Water and Ice Dispensers” or “Water Dispenser.”
- These contaminants are not necessarily in your water supply. While testing was performed under standard laboratory conditions, actual performance may vary.
- The product is for cold water use only.
- The water system must be installed in compliance with state and local laws and regulations.
- Do not use with water that is microbiologically unsafe or of unknown quality without adequate disinfection before or after the system. Systems certified for cyst reduction may be used on disinfected waters that may contain filterable cysts.
- Refer to the “Warranty” section for the Manufacturer’s name, address and telephone number.
- Refer to the “Warranty” section for the Manufacturer’s limited warranty.

Application Guidelines/Water Supply Parameters

Water Supply	City or Well
Water Pressure	30 - 120 psi (207 - 827 kPa)
Water Temperature	33° - 100°F (0.6° - 37.8°C)
Service Flow Rate	0.43 gpm (1.6 Lpm) @ 60 psi



*Class I particle size: >0.5 to <1 um

**Test requirement is at least 100,000 particles/mL of AC Fine Test Dust.

†Based on the use of *Cryptosporidium parvum* oocysts

††Fibers greater than 10 um in length

MAYTAG® REFRIGERATION LIMITED WARRANTY

FIRST YEAR LIMITED WARRANTY (PARTS AND LABOR)

For one year from the date of purchase, when this major appliance is installed, operated and maintained according to instructions attached to or furnished with the product, Maytag brand of Whirlpool Corporation or Whirlpool Canada, LP (hereafter "Maytag") will pay for factory specified replacement parts and repair labor to correct defects in materials or workmanship that existed when this major appliance was purchased.

SECOND THROUGH TENTH YEAR LIMITED WARRANTY (COMPRESSOR ONLY - LABOR NOT INCLUDED)

In the second through tenth years from the date of original purchase, when this major appliance is installed, operated and maintained according to instructions attached to or furnished with the product, Maytag will pay for a factory specified replacement compressor to correct non-cosmetic defects in materials or workmanship in this part that prevent function of the refrigerator and that existed when this major appliance was purchased. This limited 10-year warranty is for the compressor only and does not include labor.

YOUR SOLE AND EXCLUSIVE REMEDY UNDER THE LIMITED WARRANTY SHALL BE PRODUCT REPAIR AS PROVIDED HEREIN. Service must be provided by a Maytag designated service company. This limited warranty is valid in the United States or Canada and applies only when the major appliance is used in the country in which it was purchased. This limited warranty is effective from the date of the original consumer purchase. Proof of original purchase date is required to obtain service under this limited warranty.

ITEMS EXCLUDED FROM WARRANTY

This limited warranty does not cover:

1. Replacement parts or repair labor if this major appliance is used for other than normal, single-family household use or when it is used in a manner that is inconsistent to published user or operator instructions and/or installation instructions.
 2. Service calls to correct the installation of your major appliance, to instruct you on how to use your major appliance, to replace or repair house fuses, or to correct house wiring or plumbing.
 3. Service calls to repair or replace appliance light bulbs, air filters or water filters. Consumable parts are excluded from warranty coverage.
 4. Damage resulting from accident, alteration, misuse, abuse, fire, flood, acts of God, improper installation, installation not in accordance with electrical or plumbing codes, or use of products not approved by Maytag.
 5. Cosmetic damage, including scratches, dents, chips or other damage to the finish of your major appliance, unless such damage results from defects in materials or workmanship and is reported to Maytag within 30 days from the date of purchase.
 6. Any food or medicine loss due to refrigerator or freezer product failures.
 7. Pickup and delivery. This major appliance is intended to be repaired in your home.
 8. Repairs to parts or systems resulting from unauthorized modifications made to the appliance.
 9. Expenses for travel and transportation for product service if your major appliance is located in a remote area where service by an authorized Maytag servicer is not available.
 10. The removal and reinstallation of your major appliance if it is installed in an inaccessible location or is not installed in accordance with Maytag published installation instructions.
 11. Replacement parts or repair labor on major appliances with original model/serial numbers that have been removed, altered or cannot be easily determined.
 12. Discoloration, rust, or oxidation of stainless steel surfaces.
-

DISCLAIMER OF IMPLIED WARRANTIES

IMPLIED WARRANTIES, INCLUDING ANY IMPLIED WARRANTY OF MERCHANTABILITY OR IMPLIED WARRANTY OF FITNESS FOR A PARTICULAR PURPOSE, ARE LIMITED TO ONE YEAR OR THE SHORTEST PERIOD ALLOWED BY LAW. Some states and provinces do not allow limitations on the duration of implied warranties of merchantability or fitness, so this limitation may not apply to you. This warranty gives you specific legal rights, and you also may have other rights that vary from state to state or province to province.

LIMITATION OF REMEDIES; EXCLUSION OF INCIDENTAL AND CONSEQUENTIAL DAMAGES

YOUR SOLE AND EXCLUSIVE REMEDY UNDER THIS LIMITED WARRANTY SHALL BE PRODUCT REPAIR AS PROVIDED HEREIN. MAYTAG SHALL NOT BE LIABLE FOR INCIDENTAL OR CONSEQUENTIAL DAMAGES. Some states and provinces do not allow the exclusion or limitation of incidental or consequential damages, so these limitations and exclusions may not apply to you. This warranty gives you specific legal rights, and you also may have other rights that vary from state to state or province to province.

If outside the 50 United States and Canada, contact your authorized Maytag dealer to determine if another warranty applies.

5/10



Refrigerador de dos puertas con congelador en la parte inferior



Manual de uso y cuidado

www.maytag.com www.maytag.ca
En EE.UU.: 1-800-688-9900 En Canadá: 1-800-807-6777

ÍNDICE

¡Felicitaciones por su compra y bienvenido a la familia Maytag de aparatos de alta calidad! Su nuevo refrigerador Maytag* de dos puertas con congelador en la parte inferior combina una tecnología avanzada de enfriamiento con un funcionamiento simple y de alto rendimiento.

Cada aparato que sale de nuestra fábrica ha sido inspeccionado meticulosamente para asegurar que está funcionando debidamente.

Antes de poner a funcionar su nuevo refrigerador, sírvase leer las Instrucciones de uso y cuidado en este manual. Como todos los aparatos, es posible que su refrigerador necesite mantenimiento o reparación de vez en cuando, pero usted puede asegurarse de que su refrigerador le provea años de servicio confiable, siguiendo las instrucciones en este manual.

SEGURIDAD DEL REFRIGERADOR.....	39
Cómo deshacerse adecuadamente de su refrigerador viejo	40
PIEZAS Y CARACTERÍSTICAS.....	40
¿Qué hay de nuevo detrás de las puertas?.....	41
INSTRUCCIONES DE INSTALACIÓN.....	41
Desempaque el refrigerador	41
- <i>Cómo quitar los materiales de empaque</i>	41
- <i>Limpieza antes del uso</i>	42
Requisitos de ubicación.....	42
Cómo quitar y volver a colocar las puertas del refrigerador	43
- <i>Quite la puerta del refrigerador del lado derecho</i>	44
- <i>Quite la puerta del refrigerador del lado izquierdo</i>	44
- <i>Vuelva a colocar la puerta del refrigerador del lado derecho</i>	45
- <i>Vuelva a colocar la puerta del refrigerador del lado izquierdo</i>	45
- <i>Pasos finales</i>	45
Cómo quitar y volver a colocar el frente del cajón del congelador	46
- <i>Para quitar el frente del cajón</i>	46
- <i>Para volver a colocar el frente del cajón</i>	46
- <i>Pasos finales</i>	46
Requisitos eléctricos.....	47
Requisitos del suministro de agua.....	47
Conexión del suministro de agua	47
- <i>Conexión a la línea de agua</i>	48
- <i>Conexión al refrigerador</i>	48
- <i>Complete la instalación</i>	49
Instalación y remoción de las manijas.....	49
- <i>Cómo instalar las manijas</i>	49
- <i>Cómo sacar las manijas</i>	50
Nivelación del refrigerador, cierre y alineamiento de las puertas	50
FILTROS Y ACCESORIOS.....	52
Sistema de filtración de agua	52
- <i>Instalación del filtro de agua</i>	52
- <i>La luz de estado del filtro de agua</i>	52
- <i>Reemplazo del filtro de agua</i>	53
Instalación del filtro de aire	53
- <i>Cómo instalar el filtro de aire</i>	53
- <i>Cómo instalar el indicador de estado del filtro</i>	53
- <i>Cómo reemplazar el filtro de aire</i>	54
Instalación del preservador de alimentos frescos.....	54
- <i>Cómo instalar el preservador de alimentos frescos</i>	54
- <i>Cómo instalar el indicador de estado del filtro</i>	55
- <i>Cómo volver a colocar el preservador de alimentos frescos</i>	55
Accesorios.....	55
USO DE SU REFRIGERADOR.....	56
Cómo abrir y cerrar las puertas	56

Uso de los controles.....	56
- <i>Cómo ver y regular los puntos de ajuste de temperatura</i>	56
- <i>Encendido/Apagado del enfriamiento</i>	57
- <i>Opciones</i>	58
- <i>Características adicionales</i>	58
Despachadores de agua y hielo.....	59
- <i>Enjuague el sistema de agua</i>	59
- <i>El despachador de agua</i>	59
- <i>El despachador de hielo</i>	59
- <i>Distribución de agua o hielo</i>	59
- <i>La luz del despachador</i>	60
- <i>El bloqueo del despachador</i>	60
Fábrica de hielo y depósito de hielo	60
- <i>Ritmo de producción de hielo</i>	61
- <i>Estilo 1 - Fábrica de hielo en el refrigerador</i>	61
- <i>Estilo 2 - Fábrica de hielo en el congelador</i>	61
CARACTERÍSTICAS DEL REFRIGERADOR	62
Estantes del refrigerador	62
- <i>Estantes y marcos de los estantes</i>	62
Cajón para verduras y tapa	62
Control de humedad del cajón para verduras	63
Cajón con temperatura controlada	63
- <i>Estilo 1 - Control electrónico</i>	63
- <i>Estilo 2 - Control manual</i>	63
- <i>Cómo quitar y volver a colocar el cajón</i>	63
- <i>Divisor del cajón</i>	63
- <i>Guía para la conservación de carnes</i>	64
CARACTERÍSTICAS DE LA PUERTA	64
Recipientes de la puerta.....	64
CARACTERÍSTICAS DEL CONGELADOR	64
Espacio para pizzas y divisor del cajón	64
CUIDADO DE SU REFRIGERADOR.....	65
Limpieza.....	65
- <i>Limpieza del exterior</i>	65
- <i>Limpieza del interior</i>	66
- <i>Limpieza del condensador</i>	66
Luces	66
Cuidado durante las vacaciones y mudanzas	66
- <i>Vacaciones</i>	66
- <i>Mudanza</i>	66
SOLUCIÓN DE PROBLEMAS.....	67
Funcionamiento	67
Ruido.....	68
Temperatura y humedad	69
Hielo y agua.....	70
Puertas.....	73
HOJA DE DATOS DEL RENDIMIENTO	74
GARANTÍA.....	75
NÚMEROS DE SERVICIO	CONTRAPORTADA

SEGURIDAD DEL REFRIGERADOR

Su seguridad y la seguridad de los demás es muy importante.

Hemos incluido muchos mensajes importantes de seguridad en este manual y en su electrodoméstico. Lea y obedezca siempre todos los mensajes de seguridad.



Este es el símbolo de advertencia de seguridad.

Este símbolo le llama la atención sobre peligros potenciales que pueden ocasionar la muerte o una lesión a usted y a los demás.

Todos los mensajes de seguridad irán a continuación del símbolo de advertencia de seguridad y de la palabra "PELIGRO" o "ADVERTENCIA". Estas palabras significan:

⚠ PELIGRO

Si no sigue las instrucciones de inmediato, usted puede morir o sufrir una lesión grave.

⚠ ADVERTENCIA

Si no sigue las instrucciones, usted puede morir o sufrir una lesión grave.

Todos los mensajes de seguridad le dirán el peligro potencial, le dirán cómo reducir las posibilidades de sufrir una lesión y lo que puede suceder si no se siguen las instrucciones.

INSTRUCCIONES IMPORTANTES DE SEGURIDAD

ADVERTENCIA: Para reducir el riesgo de incendio, choque eléctrico, o lesiones personales al usar su refrigerador siga estas precauciones básicas:

- Conecte a un contacto de pared de conexión a tierra de 3 terminales.
- No use un adaptador.
- No quite la terminal de conexión a tierra.
- No use un cable eléctrico de extensión.
- Desconecte el suministro de energía antes de darle servicio.
- Vuelva a colocar todos los componentes y paneles antes de hacerlo funcionar.
- Remueva las puertas de su refrigerador viejo.
- Use un limpiador no inflamable.
- Mantenga los materiales y vapores inflamables, tales como gasolina, alejados del refrigerador.
- Use dos o más personas para mover e instalar el refrigerador.
- Desconecte el suministro de energía antes de instalar la fábrica de hielo (en aquellos modelos que incluyen el juego de instalación de la fábrica de hielo).
- Use un vaso resistente para recibir hielo del despachador (en algunos modelos).
- No golpee las puertas de vidrio del refrigerador (en algunos modelos).

CONSERVAR ESTAS INSTRUCCIONES

Advertencias de la Proposición 65 del estado de California:

ADVERTENCIA: Este producto contiene una o más sustancias químicas identificadas por el estado de California como causantes de cáncer.

ADVERTENCIA: Este producto contiene una o más sustancias químicas identificadas por el estado de California como causantes de defectos congénitos o algún otro tipo de daños en la función reproductora.

Cómo deshacerse adecuadamente de su refrigerador viejo

⚠ ADVERTENCIA

Peligro de Asfixia

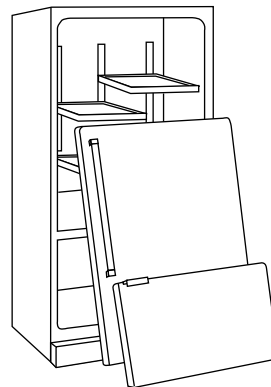
Remueva las puertas de su refrigerador viejo.

No seguir esta instrucción puede ocasionar la muerte o daño al cerebro.

IMPORTANTE: El atrapamiento y asfixia de niños no es un problema del pasado. Los refrigeradores tirados y abandonados son un peligro, aun si van a quedar ahí “por unos pocos días”. Si Ud. está por deshacerse de su refrigerador viejo, por favor siga las instrucciones que se dan a continuación para prevenir accidentes.

Antes de tirar su viejo refrigerador o congelador:

- Saque las puertas.
- Deje los estantes en su lugar, así los niños no pueden meterse adentro con facilidad.



Información importante para saber acerca del desecho de refrigerantes:

Deshágase del refrigerador siguiendo los reglamentos federales y locales. Los refrigerantes deberán ser evacuados por un técnico certificado en refrigeración por EPA (Agencia de protección del medioambiente) según los procedimientos establecidos.

PIEZAS Y CARACTERÍSTICAS



- A. Fábrica de hielo
- B. Filtro de aire
- C. Filtro de agua
- D. Recipientes de la puerta
- E. Cajones para verduras
- F. Cajón-despensa
- G. Cajón del congelador
- H. Iluminación LED gradual
- I. Sistema de distribución de hielo In-Door-Ice®

¿Qué hay de nuevo detrás de las puertas?

Su refrigerador Maytag® de dos puertas con congelador en la parte inferior viene con varias características innovadoras de almacenamiento y ahorro de energía.

Sonidos de energía y de funcionamiento normal

Su nuevo refrigerador de dos puertas con congelador en la parte inferior ha sido diseñado para lograr el máximo rendimiento energético y regular mejor las temperaturas, para satisfacer así las demandas de enfriamiento. Tal vez usted note que el mismo funciona de modo diferente que su refrigerador anterior. Es normal que el compresor de alto rendimiento funcione durante períodos prolongados y a velocidades variables, para consumir solamente la energía necesaria para un óptimo rendimiento. Adicionalmente, durante varias etapas del ciclo de enfriamiento, es posible que escuche sonidos normales de funcionamiento que no le son familiares.

Más espacio para almacenamiento

El refrigerador de dos puertas con congelador en la parte inferior tiene el espacio máximo disponible para almacenar alimentos frescos. Lo que incluye un cajón-despensa de ancho completo y temperatura controlada ideal para guardar bandejas con vegetales o bandejas para fiestas.

Sistema de distribución de hielo In-Door-Ice®

El depósito de hielo en la puerta provee un estante completo adicional de espacio para almacenar, y el depósito es removible para obtener un fácil acceso al hielo filtrado.

Evaporador dual (en algunos modelos)

El compartimiento del refrigerador y el del congelador tienen evaporadores separados para proveer alimentos frescos y congelados con climas separados. El refrigerador permanece fresco y húmedo para el almacenaje óptimo de alimentos frescos, mientras el congelador permanece frío y seco. La humedad del refrigerador no se mezcla con el aire frío del congelador, de modo que la escarcha está controlada, lo que reduce la posibilidad de que los alimentos se sequen. Debido a que el aire del refrigerador no pasa al congelador, se ha eliminado la transferencia de olores y gustos del refrigerador al congelador.

Filtro de agua

El filtro certificado por NSF® reduce el sabor y olor a cloro, las partículas (clase I), el plomo y el mercurio. El reemplazar el filtro de agua cada 6 meses asegura agua para tomar limpia y filtrada.

Filtro de aire

Un filtro de aire es 15 veces más poderoso que el bicarbonato de sodio al reducir los olores comunes de los alimentos que se encuentran en el interior del refrigerador.

Preservador de alimentos frescos (en algunos modelos)

El etileno es un gas natural producido por las frutas y los vegetales para ayudar a que maduren. El preservador de alimentos frescos absorbe el etileno para retrasar la maduración excesiva de los productos frescos. A consecuencia de esto, ciertos productos permanecerán frescos por más tiempo.

Luces LED

Las luces LED nunca necesitan ser reemplazadas.

Alarma de la puerta

Una alarma útil suena cuando la puerta del refrigerador o el cajón del congelador se ha dejado entreabierto/o.

Indicador de corte de corriente (en algunos modelos)

Si ha habido un corte de corriente mientras usted está lejos de su hogar, este indicador le permitirá saber que el refrigerador ha experimentado un corte de corriente.

INSTRUCCIONES DE INSTALACIÓN

Desempaque el refrigerador

⚠ ADVERTENCIA

Peligro de Peso Excesivo

Use dos o más personas para mover e instalar el refrigerador.

No seguir esta instrucción puede ocasionar una lesión en la espalda u otro tipo de lesiones.

Cómo quitar los materiales de empaque

- Quite los restos de cinta y goma de las superficies de su refrigerador antes de encenderlo. Frote un poco de detergente líquido para vajillas sobre el adhesivo con los dedos. Limpie con agua tibia y seque.
- No use instrumentos filosos, alcohol para fricciones, líquidos inflamables o productos de limpieza abrasivos para eliminar los restos de cinta o goma. Estos productos pueden dañar la superficie de su refrigerador. Para más información, vea "Seguridad del refrigerador".
- Deshágase de todos los materiales de embalaje o recíclelos.

Cómo mover su refrigerador:

Su refrigerador es pesado. Cuando mueva el refrigerador para limpiarlo o para darle servicio, cerciódese de cubrir el piso con cartón o madera para evitar daños en el mismo. Al mover el refrigerador, siempre tire directamente hacia afuera. No menee el refrigerador de lado a lado ni lo haga "caminar" cuando lo trate de mover ya que podría dañar el piso.

Limpeza antes del uso

Una vez que usted haya quitado todos los materiales de empaque, limpie el interior de su refrigerador antes de usarlo. Vea las instrucciones de limpieza en "Cuidado de su refrigerador".

Información importante para saber acerca de los estantes y tapas de vidrio:

No limpie los estantes y tapas de vidrio con agua caliente mientras están fríos. Los estantes y tapas pueden romperse si se exponen a cambios bruscos de temperatura o impacto, como sería un golpe brusco. El vidrio templado se ha diseñado para hacerse añicos. Esto es normal. Los estantes y tapas de vidrio son muy pesados. Use ambas manos al sacarlos para evitar que se caigan.

Requisitos de ubicación

⚠ ADVERTENCIA



Peligro de Explosión

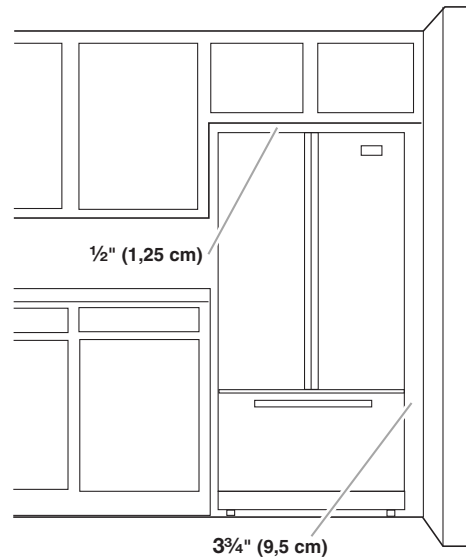
Mantenga los materiales y vapores inflamables, tales como gasolina, alejados del refrigerador.

No seguir esta instrucción puede ocasionar la muerte, explosión, o incendio.

IMPORTANTE: Este refrigerador ha sido diseñado para usarse solamente en el interior del hogar.

Para asegurar la adecuada ventilación de su refrigerador, deje un espacio de 1/2" (1,25 cm) a cada lado y por encima. Deje un espacio de 1" (2,54 cm) detrás del refrigerador. Si su refrigerador tiene fábrica de hielo, asegúrese que hay espacio adicional atrás para las conexiones de la línea de agua. Cuando instale el refrigerador próximo a una pared fija, deje un espacio mínimo de 3/4" (9,5 cm) entre el refrigerador y la pared, para permitir que la puerta se abra bien.

NOTA: Este refrigerador ha sido diseñado para usarse en un lugar en donde los rangos de temperatura varíen entre un mínimo de 55 °F (13 °C) y un máximo de 110 °F (43 °C). Para un óptimo rendimiento, el rango preferido de temperatura de la habitación (que reduce el uso de electricidad y provee un enfriamiento superior) es entre 60 °F (15 °C) y 90 °F (32 °C). No se recomienda instalar el refrigerador cerca de una fuente de calor, como puede ser un horno o un radiador.



Cómo quitar y volver a colocar las puertas del refrigerador

NOTA: Mida el ancho de la abertura de la puerta para ver si es necesario sacar las puertas del refrigerador para hacer entrar el mismo en su hogar. Si es necesario quitar las puertas, vea las instrucciones a continuación.

IMPORTANTE: Si el refrigerador fue instalado previamente y usted lo va a sacar fuera de la casa, antes de comenzar APAGUE el control del refrigerador. Desenchufe el refrigerador o desconecte el suministro de energía. Quite todos los alimentos y los recipientes ajustables o de uso múltiple de las puertas.

Reúna las herramientas necesarias y lea todas las instrucciones antes de quitar las puertas.

HERRAMIENTAS NECESARIAS: Llave hexagonal en L de $\frac{3}{16}$ " y destornillador Phillips N° 2

⚠ ADVERTENCIA

Peligro de Choque Eléctrico

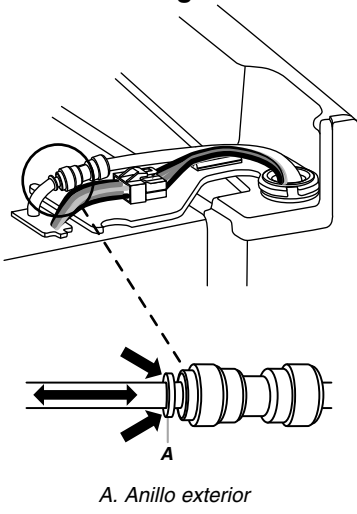
Desconecte el suministro de energía antes de sacar las puertas.

No seguir esta instrucción puede ocasionar la muerte o choque eléctrico.

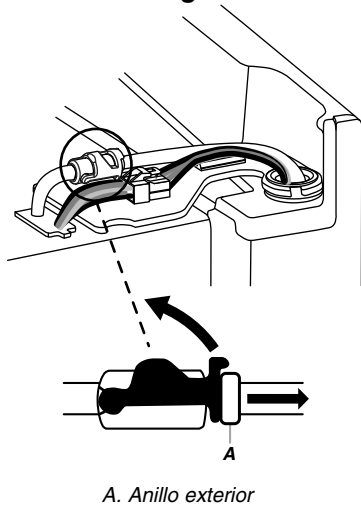


Cómo quitar y volver a colocar las puertas

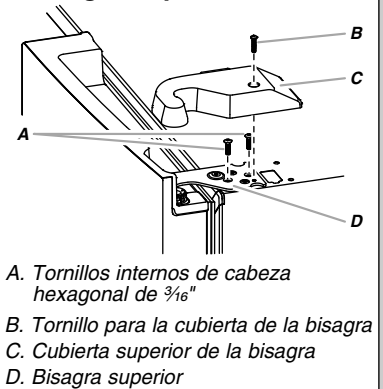
Estilo 1 – Conexión de la tubería del despachador de agua



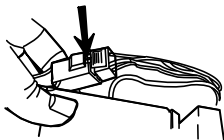
Estilo 2 – Conexión de la tubería del despachador de agua



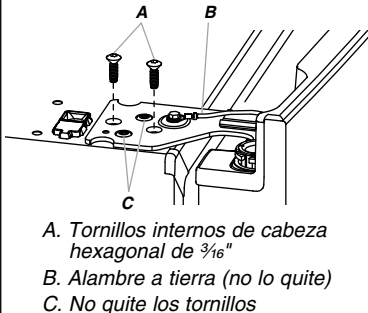
Bisagra superior derecha



Enchufe de cableado



Bisagra superior izquierda



Instalación

Quite la puerta del refrigerador del lado derecho

⚠️ ADVERTENCIA



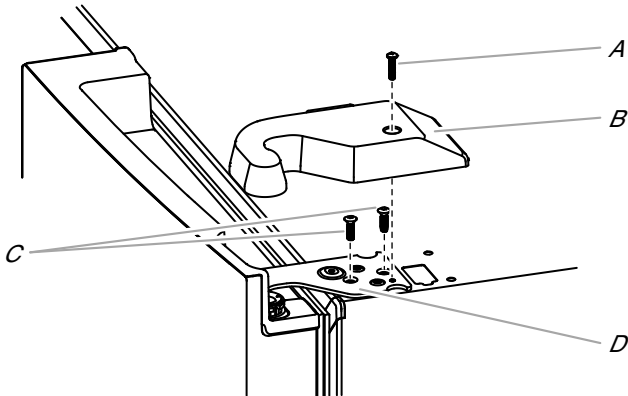
Peligro de Choque Eléctrico

Desconecte el suministro de energía antes de sacar las puertas.

No seguir esta instrucción puede ocasionar la muerte o choque eléctrico.

1. Desenchufe el refrigerador o desconecte el suministro de energía.
2. Mantenga las puertas del refrigerador cerradas hasta que esté listo para levantarlas y quitarlas de la carcasa.
NOTA: Mientras quita las bisagras siempre disponga de un soporte adicional para la puerta del refrigerador. No se confíe en que los imanes de la junta de las puertas van a sostener la puerta en su lugar mientras trabaja.
3. Quite con un destornillador Phillips la cubierta de la bisagra superior.
4. Con una llave hexagonal en L de $\frac{3}{16}$ " , quite los dos tornillos internos de cabeza hexagonal de la bisagra superior; déjelos a un lado.

NOTA: No quite los dos tornillos de ubicación. Estos tornillos le ayudarán a alinear la bisagra cuando vuelva a colocar la puerta.



A. Tornillo de la cubierta de la bisagra superior

B. Cubierta de la bisagra superior

C. Tornillos internos de cabeza hexagonal de $\frac{3}{16}$ "

D. Bisagra superior

⚠️ ADVERTENCIA

Peligro de Peso Excesivo

Use dos o más personas para levantar la puerta del refrigerador.

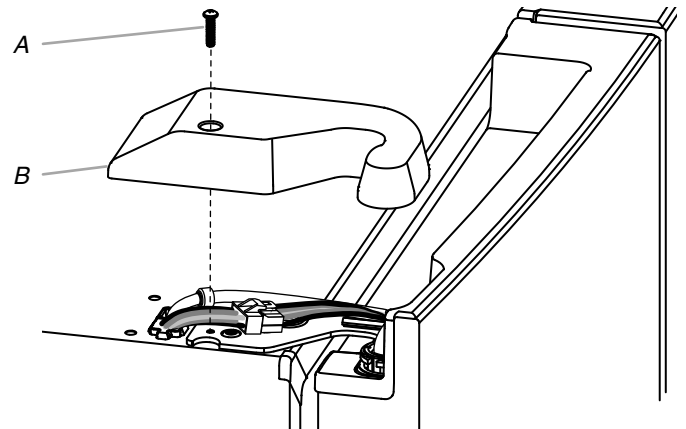
No seguir esta instrucción puede ocasionar una lesión en la espalda u otro tipo de lesiones.

5. Levante y saque la puerta del refrigerador del pasador inferior de la bisagra. La bisagra superior se saldrá junto con la puerta.

Quite la puerta del refrigerador del lado izquierdo

IMPORTANTE: La tubería y el cableado para el despachador de agua pasan a través de la bisagra de la puerta del lado izquierdo, de modo que deberán ser desconectados antes de quitar la puerta.

1. Quite con un destornillador Phillips la cubierta de la bisagra superior.



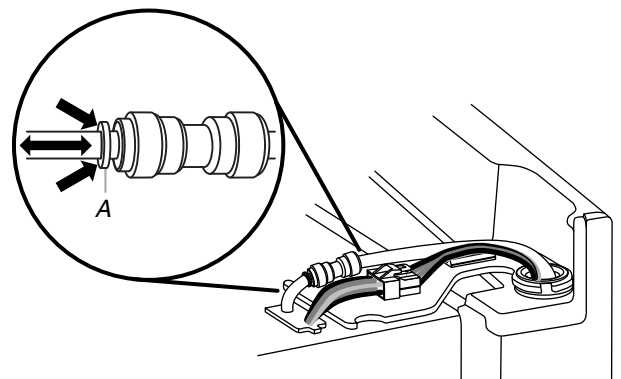
A. Tornillo de la cubierta de la bisagra superior

B. Cubierta de la bisagra superior

2. Desconecte la tubería del despachador de agua ubicada en la parte superior de la bisagra de la puerta.

Estilo 1 - Presione el anillo exterior contra la cara del encaje y jale suavemente la tubería del despachador para liberarla.

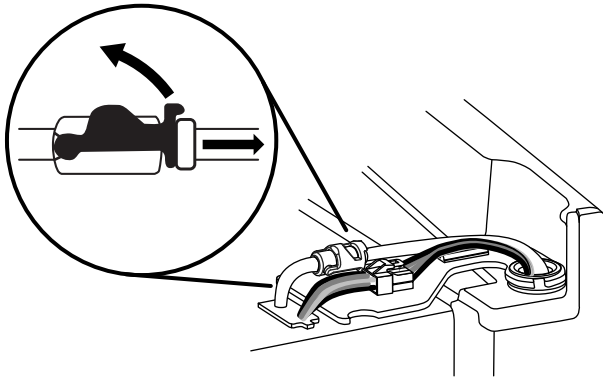
NOTA: La tubería del despachador de agua permanece sujeta a la puerta del refrigerador del lado izquierdo.



A. Anillo exterior

Estilo 2 – Jale hacia arriba con firmeza la abrazadera de enganche y jale la tubería del accesorio.

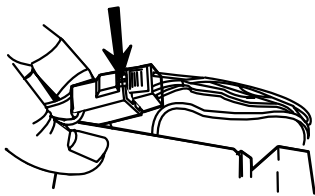
NOTA: La tubería del despachador de agua permanece sujeta a la puerta del refrigerador del lado izquierdo.



3. Desconecte el enchufe de cableado que está ubicado en la parte superior de la bisagra de la puerta.

- Sujete cada lado del enchufe de cableado. Con el pulgar izquierdo, presione hacia abajo para liberar el seguro y jale las secciones del enchufe para separarlas.

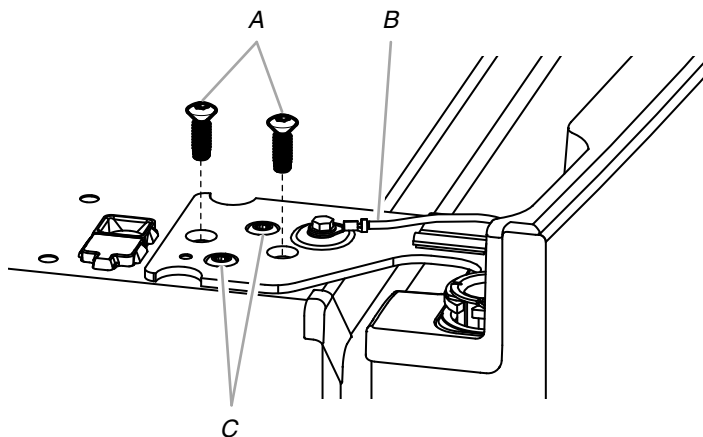
NOTA: No quite el cable a tierra verde. Deberá permanecer sujeto a la bisagra de la puerta.



4. Con una llave hexagonal en L de $\frac{3}{16}$ ", quite los dos tornillos internos de cabeza hexagonal de la bisagra superior; déjelos a un lado.

NOTAS:

- Mientras quita las bisagras, siempre disponga de un soporte adicional para la puerta del refrigerador. No se confíe en que los imanes de la junta de las puertas van a sostener la puerta en su lugar mientras trabaja.
- No quite los dos tornillos de ubicación. Estos tornillos le ayudarán a alinear la bisagra cuando vuelva a colocar la puerta.



A. Tornillos internos de cabeza hexagonal de $\frac{3}{16}$ "
B. Alambre a tierra (no lo quite)

C. Tornillos de ubicación (no los quite)

5. Levante y saque la puerta del refrigerador del pasador inferior de la bisagra. La bisagra superior se saldrá junto con la puerta.

NOTA: Quizá no sea necesario quitar las bisagras centrales y los conjuntos de patas con freno para hacer pasar el refrigerador por una puerta.

- Sólo si es necesario, use una llave con punta de barrena cuadrada N° 2 para quitar las bisagras inferiores y una llave de tuercas de $\frac{3}{8}$ " para quitar los tornillos de las patas con freno.

Vuelva a colocar la puerta del refrigerador del lado derecho

1. Coloque la puerta del lado derecho sobre el pasador de la bisagra inferior.
2. Inserte el pasador de la bisagra superior en el orificio abierto de la parte superior de la puerta del refrigerador.
3. Sujete la bisagra a la carcasa con dos tornillos hexagonales internos de $\frac{3}{16}$ ". No apriete completamente los tornillos.

Vuelva a colocar la puerta del refrigerador del lado izquierdo

IMPORTANTE: No entrelace la tubería de agua con el haz de cables cuando los reconecte.

1. Coloque la puerta del lado izquierdo sobre el pasador de la bisagra inferior.
2. Sujete la bisagra a la carcasa con dos tornillos hexagonales internos de $\frac{3}{16}$ ". No apriete completamente los tornillos.
3. Vuelva a conectar la tubería del despachador de agua.

Estilo 1 - Empuje la tubería en el accesorio hasta que se detenga y el anillo exterior esté tocando la cara del accesorio.

Estilo 2 - Inserte la tubería firmemente dentro del accesorio hasta que se detenga. Cierre la abrazadera de enganche alrededor de la tubería. La abrazadera de enganche encaja a presión en su lugar entre el accesorio y el collar.

4. Vuelva a conectar el cableado eléctrico.
 - Empuje y una las dos secciones del enchufe de cableado.

Pasos finales

1. Apriete por completo los cuatro tornillos internos de cabeza hexagonal (dos en la bisagra de la puerta del lado derecho y dos en la bisagra de la puerta del lado izquierdo).
2. Vuelva a colocar ambas cubiertas de las bisagras superiores.

Cómo quitar y volver a colocar el frente del cajón del congelador

Según el ancho de la abertura de la puerta, tal vez sea necesario sacar el frente del cajón del congelador para hacer entrar el refrigerador en su hogar.

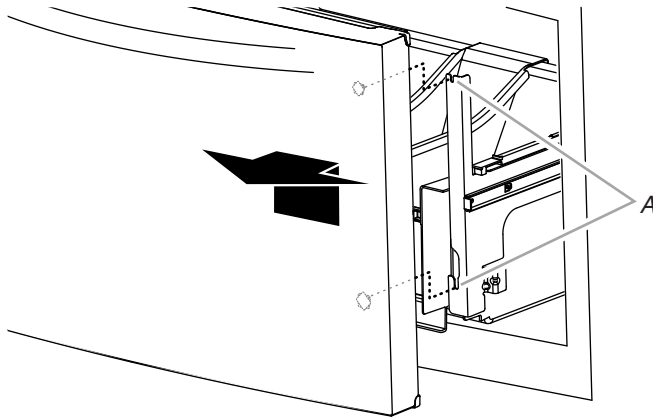
IMPORTANTE:

- Si el refrigerador fue instalado previamente y usted lo va a sacar fuera de la casa, antes de comenzar APAGUE el control del refrigerador y desenchufe el refrigerador o desconecte el suministro de energía. Quite los alimentos del cajón del congelador.
- Tal vez se necesiten dos personas para quitar y volver a colocar el frente del cajón del congelador.

Herramienta necesaria: Llave hexagonal de 1/4"

Para quitar el frente del cajón

1. Abra el cajón del congelador en toda su extensión.
2. Saque los dos tornillos que están en la parte superior del frente dentro del cajón (uno en el lado izquierdo y otro en el lado derecho) que aseguran el frente del mismo a las guías.
3. Levante el frente del cajón para liberar los taquetes de plástico de las ranuras del soporte de la guía del cajón.



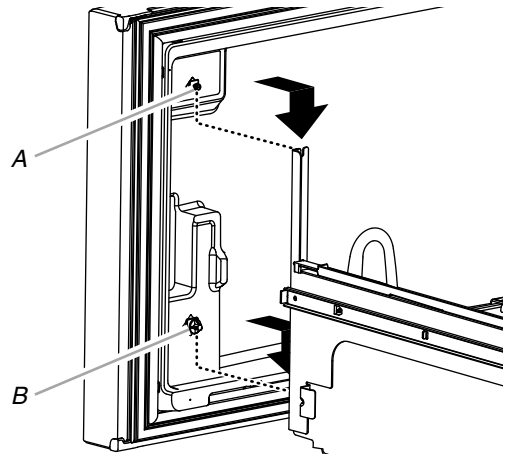
A. Ranuras del soporte de la guía del cajón

4. Deslice las guías del cajón nuevamente dentro del congelador.

Para volver a colocar el frente del cajón

1. Jale las guías del cajón del congelador hasta su máxima extensión.
2. Sujutando el frente del cajón por los lados, alinee los dos taquetes de plástico, que se encuentran en la base dentro del frente del cajón, con las ranuras del soporte de la guía del cajón.

NOTA: Será una ayuda si una persona sostiene las guías del cajón con firmeza mientras la otra persona alinea el frente del mismo e inserta los taquetes en las ranuras.



A. Tornillo del frente del cajón

B. Taquete de plástico del frente del cajón

3. Vuelva a colocar y apriete los dos tornillos que están en la parte superior del frente del cajón (uno en el lado izquierdo y el otro en el lado derecho).

Pasos finales

⚠ ADVERTENCIA



Peligro de Choque Eléctrico

Conecte a un contacto de pared de conexión a tierra de 3 terminales.

No quite la terminal de conexión a tierra.

No use un adaptador.

No use un cable eléctrico de extensión.

No seguir estas instrucciones puede ocasionar la muerte, incendio o choque eléctrico.

1. Conecte a un contacto de pared de conexión a tierra de 3 terminales.
2. Vuelva a ajustar los controles. Vea "Uso del (de los) control(es)".
3. Regrese todas las partes desmontables a las puertas y la comida al refrigerador.

Requisitos eléctricos

⚠ ADVERTENCIA



Peligro de Choque Eléctrico

Conecte a un contacto de pared de conexión a tierra de 3 terminales.

No quite la terminal de conexión a tierra.

No use un adaptador.

No use un cable eléctrico de extensión.

No seguir estas instrucciones puede ocasionar la muerte, incendio o choque eléctrico.

Antes de mover el refrigerador a su posición definitiva, es importante asegurarse que Ud. tiene la conexión eléctrica adecuada.

Método de conexión a tierra recomendado

Se requiere una fuente de energía eléctrica de 115 Voltios, 60 Hz., CA solamente y con fusibles de 15 ó 20 amperios, debidamente conectada a tierra. Se recomienda que se use un circuito separado sólo para su refrigerador. Use un tomacorriente que no se puede apagar con un interruptor. No use un cable eléctrico de extensión.

NOTA: Antes de realizar cualquier tipo de instalación, limpieza o de quitar un foco de luz, APAGUE el enfriamiento (Cooling OFF), y luego desconecte el refrigerador de la fuente de energía. Cuando Ud. haya terminado, reconecte el refrigerador a la fuente de energía eléctrica y ENCIENDA el enfriamiento (Cooling ON). Vea "Uso del (de los) control(es)".

Requisitos del suministro de agua

Se necesita un suministro de agua fría con presión de agua entre 35 y 120 lbs/pulg² (241 y 827 kPa) para hacer funcionar el despachador de agua y la fábrica de hielo. Si tiene preguntas acerca de la presión del agua, llame a un plomero competente autorizado.

NOTA: Si la presión de agua es menor de lo requerido, el flujo de agua del despachador de agua puede disminuir o los cubos de hielo pueden ser huecos o de tamaño irregular.

Suministro de agua por ósmosis inversa

IMPORTANTE: La presión del suministro de agua que sale de un sistema de ósmosis inversa y va a la válvula de entrada de agua del refrigerador deberá ser entre 35 y 120 lbs/pulg² (241 y 827 kPa).

Si se conecta un sistema de filtración de agua de ósmosis inversa al suministro de agua fría, la presión de agua al sistema de ósmosis inversa deberá ser de un mínimo de 40 a 60 lbs/pulg² (276 a 414 kPa).

- Fíjese si el filtro de sedimentos en el sistema de ósmosis inversa está bloqueado. Reemplácelo si fuera necesario.
 - Deje que se vuelva a llenar el tanque de almacenaje del sistema de ósmosis inversa después del uso intenso. La capacidad del tanque podría ser demasiado pequeña para cumplir con los requisitos del refrigerador.
- NOTA:** No se recomiendan sistemas de ósmosis inversa para montar en el grifo.
- Si su refrigerador tiene un filtro de agua, se podrá reducir la presión aún más si se usa en conjunto con un sistema de ósmosis inversa. Saque el filtro de agua. Vea "Sistema de filtración de agua".

Si tiene preguntas acerca de la presión del agua, llame a un plomero competente autorizado.

Conexión del suministro de agua

Lea todas las instrucciones antes de comenzar.

IMPORTANTE:

- La tubería se debe instalar de acuerdo con el Código internacional de plomería y cualquier norma y ordenanza local.
- Para evitar que el hielo o el agua tengan un gusto u olor raro, se recomienda usar tubería de cobre o una tubería suministrada por Whirlpool®, pieza número 8212547RP, para conectar la tubería de agua de la casa con la tubería de agua o el accesorio de agua que viene de la parte posterior del refrigerador. Revise si hay fugas.
- Instale la tubería sólo en áreas donde la temperatura va a permanecer por encima del punto de congelación.

HERRAMIENTAS NECESARIAS:

Reúna las herramientas y piezas necesarias antes de comenzar la instalación.

- Destornillador de hoja plana
- Llaves de boca de 7/16" y 1/2" o dos llaves ajustables
- Llave de tuercas de 1/4"

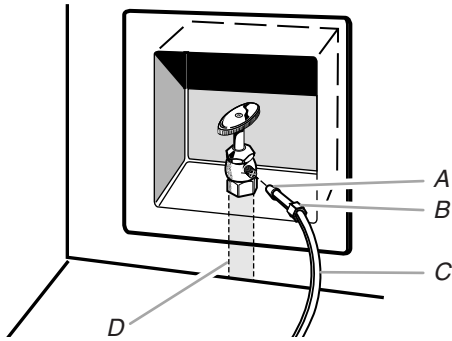
NOTA: No use una válvula perforadora o una válvula de montura de 3/16" (4,76 mm) que reduce el flujo de agua y se obstruye con más facilidad.

Conexión a la línea de agua

IMPORTANTE: Si enciende el refrigerador antes de conectar la tubería de agua, APAGUE la fábrica de hielo.

1. Desenchufe el refrigerador o desconecte el suministro de energía.
2. CIERRE el suministro principal de agua. ABRA la llave de agua más cercana el tiempo suficiente para que la tubería de agua se vacíe.
3. Use una válvula de cierre de un cuarto de vuelta o una equivalente, abastecida por una línea de cobre de suministro del hogar de $\frac{1}{2}$ ".

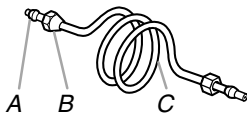
NOTA: Se recomienda una línea de suministro doméstica de un mínimo de $\frac{1}{2}$ " para permitir el flujo suficiente de agua al refrigerador.



A. Manguito
B. Tuerca
C. Tubería de cobre (al refrigerador)
D. Línea de suministro del hogar (mínimo de $\frac{1}{2}$ ")

4. Ahora está listo para conectar la tubería de cobre a la válvula de cierre. Use tubería de cobre blando de $\frac{1}{4}$ " (6,35 mm) de diámetro exterior, para conectar la válvula de cierre y el refrigerador.

- Asegúrese de tener la longitud adecuada necesaria para el trabajo. Asegúrese que ambos extremos de la tubería de cobre están cortados a escuadra.
- Deslice el manguito de compresión y la tuerca de compresión sobre la tubería de cobre como se muestra. Inserte el extremo de la tubería en el extremo de salida hasta donde sea posible. Atornille la tuerca de compresión al extremo de salida con una llave de tuercas ajustable. No apriete demasiado.



A. Manguito de compresión
B. Tuerca de compresión
C. Tubería de cobre

5. Coloque el extremo libre de la tubería en un recipiente o un fregadero, abra el suministro principal del agua y deje correr el agua por la tubería hasta que el agua salga limpia. Cierre la válvula de cierre del tubo de agua.

NOTA: Siempre desagüe la tubería de agua antes de efectuar la conexión final al orificio de entrada de la válvula de agua, para evitar un probable mal funcionamiento de la válvula de agua.

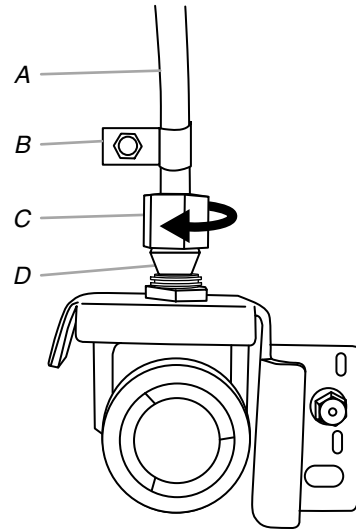
6. Doble la tubería de cobre para que alcance la entrada de la línea de agua, la cual está ubicada en la parte posterior de la carcasa del refrigerador, como se muestra. Deje un serpentín de tubería de cobre para que se pueda sacar el refrigerador del armario o alejarlo de la pared, para el servicio.

Conexión al refrigerador

Siga las instrucciones de conexión que sean específicas para su modelo.

Estilo 1

1. Saque la tapa de plástico del puerto de entrada de la válvula de agua. Fije el tubo de cobre a la entrada de la válvula usando una tuerca y manguito de compresión, como se muestra. Ajuste la tuerca de compresión. No apriete demasiado. Jale la tubería de cobre para asegurarse de que está firme.
2. Haga un lazo de servicio con la tubería de cobre. Evite las torceduras cuando enrolle la tubería de cobre. Asegure la tubería de cobre a la carcasa del refrigerador con una abrazadera en "P".



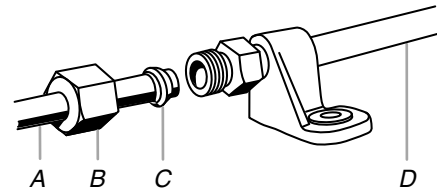
A. Tubería de cobre
B. Abrazadera en "P"
C. Tuerca de compresión
D. Manguito de compresión

3. Abra el suministro de agua al refrigerador y revise si hay fugas de agua. Tape cualquier fuga que encuentre.

Estilo 2

1. Desenchufe el refrigerador o desconecte el suministro de energía.
2. Quite y deseche la parte corta de plástico negro del extremo de la entrada de la línea de agua.
3. Enrosque la tuerca en el extremo de la tubería. Apriete la tuerca a mano. Luego apriétela dos vueltas más con una llave de tuercas. No apriete demasiado.

NOTA: Para evitar ruidos molestos, asegúrese de que la tubería de cobre no toque la pared lateral de la carcasa u otras partes dentro de misma.



A. Línea de agua de la casa
B. Tuerca (adquirida)
C. Férula (adquirida)
D. Tubería de agua del refrigerador

4. Instale la abrazadera para tubos de suministro de agua alrededor de la línea de suministro de agua, para reducir la tensión en el acoplamiento.
5. ABRA la válvula de cierre.
6. Revise si hay fugas. Ajuste las conexiones (incluso las de la válvula) o tuercas que tengan fugas.
7. En algunos modelos, la fábrica de hielo está equipada con un filtro de agua incorporado. Si las condiciones del agua local requieren un segundo filtro de agua, se debe instalar en la línea de agua de ¼" (6,35 mm) en cualquiera de las conexiones de la tubería. Obtenga un filtro de agua con el distribuidor de electrodomésticos.

Complete la instalación

⚠ ADVERTENCIA



Peligro de Choque Eléctrico

Conecte a un contacto de pared de conexión a tierra de 3 terminales.

No quite la terminal de conexión a tierra.

No use un adaptador.

No use un cable eléctrico de extensión.

No seguir estas instrucciones puede ocasionar la muerte, incendio o choque eléctrico.

1. Conecte a un contacto de pared de conexión a tierra de 3 terminales.
2. Enjuague el sistema de agua. Vea "Despachadores de agua y hielo".

NOTA: Deje transcurrir 24 horas para la producción del primer lote de hielo. Deshágase de los tres primeros lotes de hielo producidos. Deje transcurrir 3 días para que se vuelva a llenar el depósito de hielo.

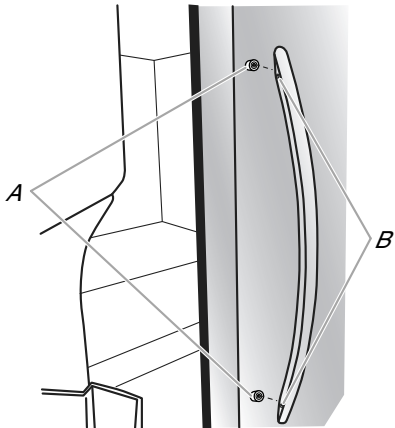
Instalación y remoción de las manijas

Piezas incluidas: Manijas de las puertas del refrigerador (2), manija del cajón del congelador (1), llave hexagonal en L de ⅛", tornillo(s) opresor(es) adicional(es)

Cómo instalar las manijas

NOTA: Los tornillos opresores de montaje vienen preinstalados dentro de la manija.

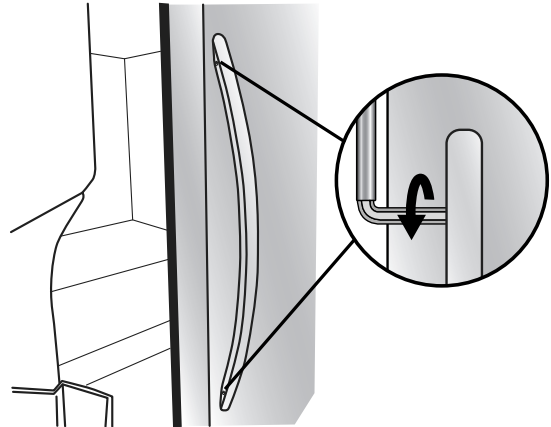
1. Saque las manijas del paquete que está dentro del refrigerador y colóquelas sobre una superficie lisa.
2. Abra una puerta del compartimiento del refrigerador. Sobre la puerta cerrada, coloque una manija sobre los tornillos de tope, de modo que los tornillos opresores queden mirando hacia la puerta adyacente.



A. Tornillos de tope

B. Tornillos opresores dentro de la manija

3. Empuje con firmeza la manija hacia la puerta hasta que su base quede al mismo nivel que la puerta.
4. Mientras sostiene la manija, coloque el extremo corto de la llave hexagonal en L en el orificio superior y gire la llave hexagonal un poco, hasta afianzarla en el tornillo opresor.



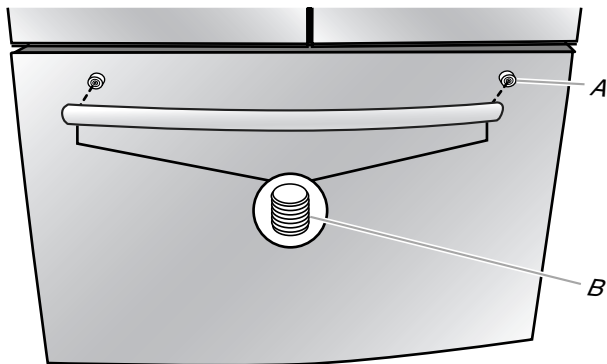
5. Con un movimiento de reloj, apriete el tornillo opresor apenas hasta que comience a hacer contacto con el tornillo de tope. No lo apriete por completo.
6. Repita los pasos 4 y 5 para afianzar el tornillo opresor inferior.

7. Una vez que ambos tornillos opresores hayan sido apretados parcialmente, como se indicó en los pasos anteriores, apriete por completo ambos tornillos opresores.

IMPORTANTE: Cuando los tornillos se sientan ajustados, apriételes un cuarto de giro adicional. La manija no está bien instalada si no la aprieta más de esta manera.

8. Repita los pasos 2 a 7 para instalar la otra manija en la puerta adyacente del refrigerador.

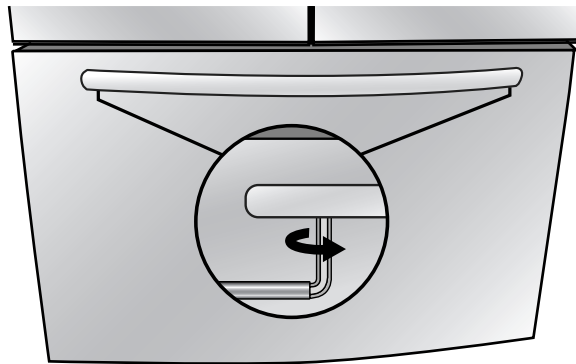
9. Con el cajón del congelador cerrado, coloque la manija sobre los tornillos de tope, de modo que los tornillos opresores queden mirando hacia el piso.



A. Tornillo de tope
B. Tornillos opresores dentro de la manija

10. Empuje con firmeza la manija hacia el cajón hasta que su base quede al mismo nivel que el cajón.

11. Inserte el extremo pequeño de la llave hexagonal en L en el orificio del lado izquierdo y gire la llave hexagonal un poco, hasta afianzarla en el tornillo opresor.



12. Con un movimiento de izquierda a derecha, apriete el tornillo opresor un cuarto de vuelta por vez, apenas hasta que comience a hacer contacto con el tornillo de tope. No lo apriete por completo.

13. Repita los pasos 11 y 12 para afianzar el tornillo opresor derecho al tornillo de tope.

14. Una vez que ambos tornillos opresores hayan sido apretados parcialmente, como se indicó en los pasos anteriores, apriete por completo ambos tornillos opresores.

IMPORTANTE: Cuando los tornillos se sientan ajustados, apriételes un cuarto de giro adicional. La manija no está bien instalada si no la aprieta más de esta manera.

15. Guarde la llave hexagonal en L y todas las instrucciones.

Cómo sacar las manijas

1. Mientras sostiene la manija, coloque el extremo corto de la llave hexagonal en L en el orificio de un tornillo opresor y gire la llave hexagonal en L un poco hasta afianzarla en el tornillo opresor.
2. Afloje el tornillo opresor girando de derecha a izquierda un cuarto de vuelta por vez.
3. Repita los pasos 1 y 2 para el otro tornillo opresor. Jale lentamente la manija hacia fuera de la puerta o del cajón.
4. Si es necesario, use un destornillador Phillips para quitar los tornillos de tope de la puerta.

Nivelación del refrigerador, cierre y alineamiento de las puertas

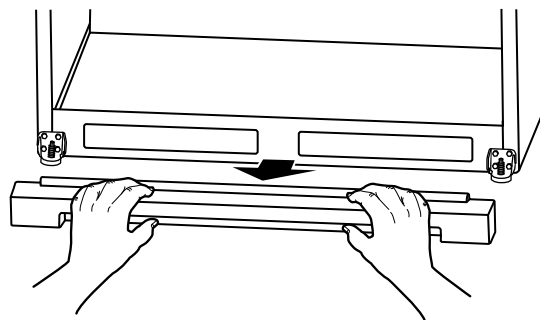
La rejilla de la base cubre los ensamblajes de las patas con freno regulables y los rodillos, ubicados en la base del refrigerador, debajo del cajón del congelador. Antes de hacer cualquier ajuste, quite la rejilla de la base y traslade el refrigerador hacia su ubicación final.

Herramientas necesarias: Llave hexagonal de ¼"

Herramientas provistas: Llave hexagonal en L de ⅛"

1. Quite la rejilla de la base. Tome la rejilla con firmeza y tire de ella hacia usted. Abra el cajón del congelador para obtener acceso a la pata con freno.

NOTA: Para permitir que el refrigerador se deslice con más facilidad, levante las patas con freno girándolas hacia la izquierda. Los rodillos frontales tocarán el piso.



2. Mueva el refrigerador a su ubicación final.

3. Baje las patas con freno girándolas hacia la derecha hasta que los rodillos queden separados del piso y ambas patas con freno estén apretadas contra el piso. Esto evita que el refrigerador ruede hacia delante cuando se abran las puertas del refrigerador o el cajón del congelador.

IMPORTANTE: Si usted necesita hacer otros ajustes con las patas con freno, deberá girar ambas la misma cantidad de veces para mantener nivelado el refrigerador.

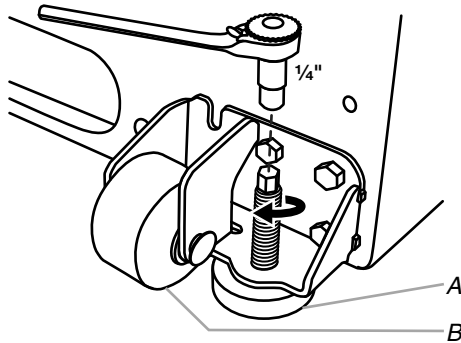
4. Cerciórese de que las puertas se cierren con facilidad. Si está satisfecho con la abertura y el cierre de las puertas, saltee la próxima sección y vaya a "Alineamiento de las puertas". Si las puertas no se cierran con facilidad o se abren de golpe, regule la inclinación.

Cómo regular la inclinación de la carcasa:

- Abra el cajón del congelador. Use una llave hexagonal de 1/4" para girar ambas patas con freno hacia la derecha la misma cantidad de veces. Esto hará que se levante el frente del refrigerador. Es posible que tome varias vueltas para permitir que las puertas se cierren con más facilidad.

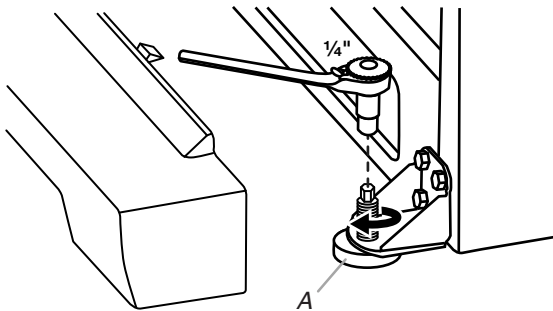
NOTA: Para quitar un poco de peso de las patas con freno, haga que alguien empuje la parte superior del refrigerador. Esto facilita el girarlas.

Estilo 1



A. Pata con freno
B. Rodillo frontal

Estilo 2



A. Pata con freno

5. Cerciórese de que las puertas estén parejas en la parte superior y que el espacio entre la parte inferior de las puertas del refrigerador y la parte superior del cajón del congelador esté parejo. Alinee las puertas si es necesario.

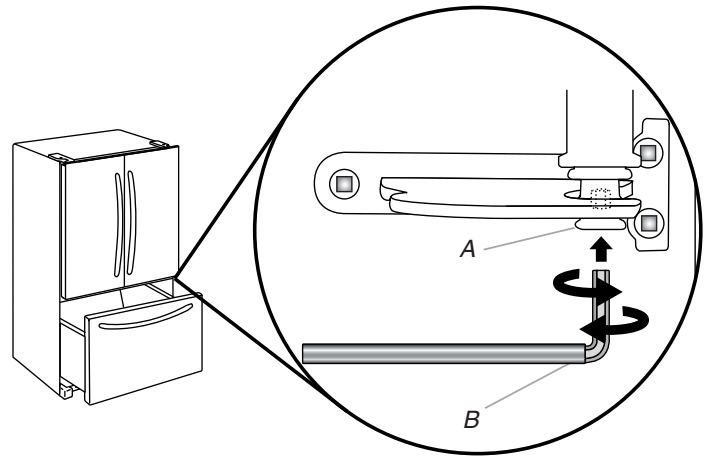
Para alinear las puertas:

- Jale hacia fuera el cajón del congelador, manteniendo cerradas ambas puertas del refrigerador. Ubique el pasador de la bisagra inferior en la puerta del refrigerador del lado derecho. El tornillo de alineamiento está en el interior del pasador de la bisagra inferior.
- Inserte el extremo corto de la llave hexagonal en L de 1/8" (empacado con las instrucciones de instalación de la manija de la puerta) dentro del pasador de la bisagra inferior hasta que quede enganchado por completo en el tornillo de alineamiento.

Para levantar la puerta del refrigerador, gire la llave hexagonal en L hacia la derecha.

Para bajar la puerta, gire la llave hexagonal en L hacia la izquierda.

- Continúe girando el tornillo de alineamiento hasta que las puertas queden alineadas.



A. Pasador de la bisagra inferior
B. Llave hexagonal en L de 1/8"

Instalación

6. Asegúrese de que el refrigerador esté estable. Si el refrigerador parece inestable o se desliza hacia delante cuando se jala la puerta o el cajón para abrirla/o, regule las patas con freno.

Para estabilizar el refrigerador:

- Abra el cajón del congelador. Con una llave hexagonal de 1/4", gire ambas patas con freno hacia la derecha la misma cantidad de veces hasta que queden ajustadas contra el piso. Verifique de nuevo. Si no está satisfecho, continúe regulando las patas con freno girando el tornillo media vuelta hasta que el refrigerador no ruede hacia delante cuando se abra el cajón.

NOTA: Para quitar un poco de peso de las patas con freno, haga que alguien empuje la parte superior del refrigerador. Esto facilita el giro de los tornillos.

7. Vuelva a colocar la rejilla de la base alineando los extremos de la misma con los ensamblajes niveladores que están a cada lado y encajando la rejilla a presión en su lugar.

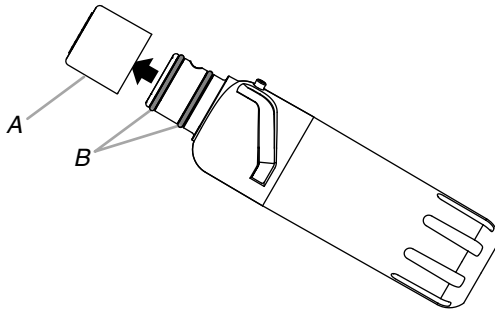
FILTROS Y ACCESORIOS

Sistema de filtración de agua

No use con agua que no sea microbiológicamente segura o que sea de calidad desconocida sin desinfectarla adecuadamente antes o después del sistema. Pueden usarse sistemas certificados para la reducción de quistes en aguas desinfectadas que puedan contener quistes filtrables.

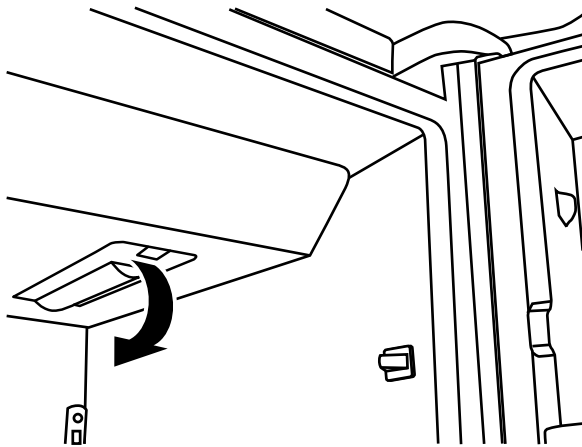
Instalación del filtro de agua

1. Ubique el paquete con accesorios en el refrigerador y saque el filtro de agua.
2. Saque el filtro de agua de su empaque y quite la cubierta de las juntas tóricas. Asegúrese de que las juntas tóricas sigan en su lugar después de que se quitó la cubierta.



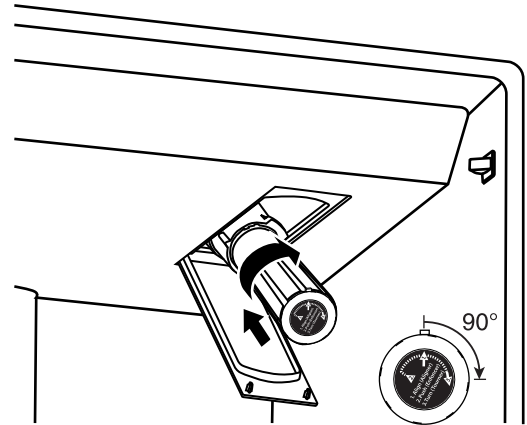
A. Cubierta de las juntas tóricas
B. Juntas tóricas

3. El compartimiento del filtro de agua está ubicado en la esquina derecha del techo del refrigerador. Empuje la puerta del compartimiento hacia arriba para liberar el seguro; luego baje la puerta.



4. Alinee la flecha sobre la etiqueta del filtro del agua con la muesca recortada en el alojamiento del filtro; inserte el filtro dentro del alojamiento.
5. Gire el filtro 90 grados ($\frac{1}{4}$ de giro) hacia la derecha hasta que se trabe en el alojamiento.

NOTA: Si el filtro no se traba correctamente en el alojamiento, el despachador de agua no funcionará. No saldrá agua del despachador.



6. Mientras la puerta del compartimiento está abierta, levante el filtro dentro del compartimiento. Luego cierre por completo la puerta del compartimiento del filtro.
7. Enjuague el sistema de agua. Consulte "Cómo enjuagar el filtro de agua" en la sección "Despachadores de agua y hielo".

IMPORTANTE: Si no enjuaga el sistema de agua, tal vez gotee el agua y/o disminuya el flujo del despachador de agua.

La luz de estado del filtro de agua

Presione WATER FILTER (Filtro de agua) para que aparezca el porcentaje de la vida útil restante del filtro (de 99 % a 0 %). Presione nuevamente WATER FILTER (Filtro de agua) para volver a la pantalla normal.

Las luces de estado del filtro de agua le ayudarán a saber cuándo cambiar el filtro de agua.

- ORDER (Pedir) (amarillo) - Es casi tiempo de cambiar el filtro de agua.
- REPLACE (Reemplazar) (rojo) - Reemplace el filtro de agua. Mientras esté despachando agua, destellará la palabra "Replace" (Reemplazar).

NOTA: Si no se instala o no se detecta un filtro de agua porque no está instalado como es debido (encajado en su lugar), aparecerán en la pantalla "Replace" (Reemplazar) y "--% remaining" (Porcentaje restante) en el panel de control. Revise el filtro de agua.

- RESET (Restablecer) Es la característica de seguimiento del estado del filtro de agua. Después de reemplazar el filtro desechable con un nuevo filtro, al cerrar la puerta del compartimiento del filtro se restablecerá automáticamente la característica de seguimiento del estado del filtro. Vea "Uso de los controles".

NOTA: La palabra "Replace" (Reemplazar) permanecerá iluminada si no se instala un filtro o si se instala de modo incorrecto.

Reemplazo del filtro de agua

Para comprar un filtro de agua de repuesto, vea “Accesorios”. Reemplace el filtro de agua desechable cuando se indique en la pantalla de estado del filtro o al menos cada 6 meses. Si el flujo de agua a su despachador o fábrica de hielo disminuye notoriamente, cambie el filtro de agua más pronto.

1. Ubique el compartimiento del filtro de agua en la esquina derecha del techo del refrigerador. Empuje hacia arriba para liberar y bajar la puerta del compartimiento.

2. Gire el filtro de agua en el sentido contrario al de las manecillas del reloj (hacia la izquierda) y jálalo directo hacia fuera del compartimiento.

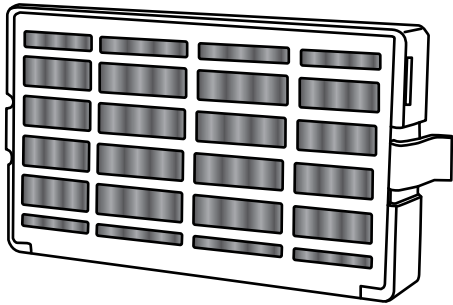
NOTA: Es posible que quede agua en el filtro. Es posible que se derrame un poco de esa agua. Use una toalla para secar cualquier derrame.

3. Instale el filtro de agua de repuesto siguiendo los pasos 2 a 7 en la sección “Instalación del filtro de agua”.

Instalación del filtro de aire (en algunos modelos)

Un filtro de aire es 15 veces más poderoso que el bicarbonato de sodio al reducir los olores comunes de los alimentos que se encuentran en el interior del refrigerador.

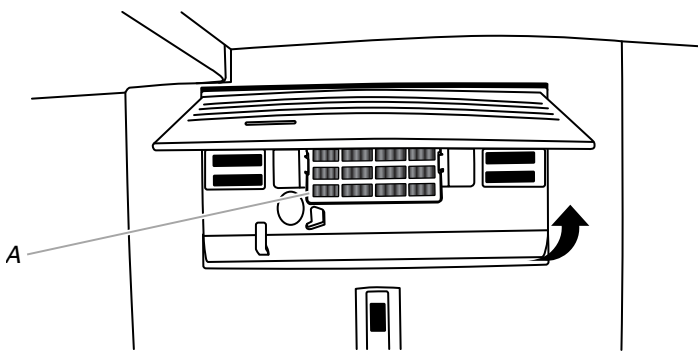
En algunos modelos, el paquete de accesorios del refrigerador incluye un filtro de aire, el cual debe instalarse antes del uso.



Cómo instalar el filtro de aire

Instale el filtro de aire detrás de la puerta con orificios de ventilación, que está ubicada en la pared posterior, cerca de la parte superior del compartimiento del refrigerador.

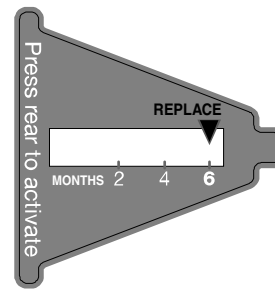
1. Saque el filtro de aire del paquete.
2. Levante la puerta con orificios de ventilación para abrirla.
3. Encaje el filtro en su lugar.



A. Filtro de aire

Cómo instalar el indicador de estado del filtro

El filtro viene con un indicador de estado, el cual se debe activar e instalar en el mismo momento que se instala el filtro de aire.

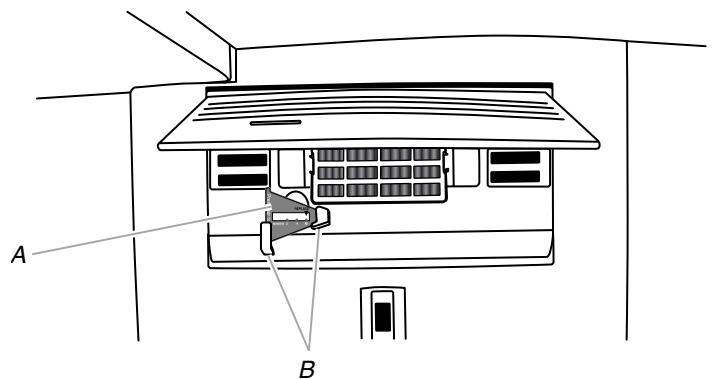


1. Coloque el indicador boca abajo sobre una superficie firme y plana.
2. Aplique presión sobre la burbuja ubicada en la parte posterior del indicador, hasta que ésta se reviente para activar el indicador.
3. Levante la puerta con orificios del filtro de aire para abrirla. En algunos modelos hay muescas detrás de la puerta.

Modelos con muescas:

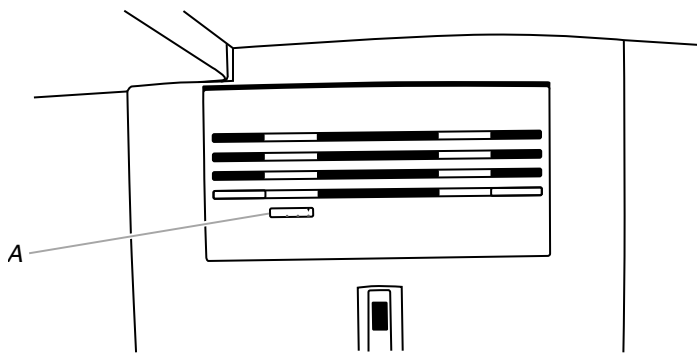
- Con la pantalla indicadora mirando hacia fuera, deslice el indicador hacia abajo, dentro de las muescas.

NOTA: El indicador no se deslizará fácilmente dentro de las muescas si no se ha reventado la burbuja.



A. Indicador de estado del filtro de aire
B. Muecas

- Cierre la puerta del filtro de aire y revise que el indicador esté visible a través de la ventana en la puerta.



A. Ventana indicadora de estado

Modelos sin muescas:

- Coloque el indicador en donde pueda verse con facilidad, ya sea dentro del refrigerador o en cualquier lugar de la cocina o de la casa.

Cómo reemplazar el filtro de aire

El filtro de aire desechable deberá reemplazarse cada 6 meses, cuando el indicador de estado haya cambiado de blanco a rojo completamente.

Para pedir un filtro de aire de repuesto, póngase en contacto con nosotros. Consulte "Accesorios" para obtener información acerca de cómo hacer un pedido.

1. Quite el filtro de aire apretando las lengüetas laterales hacia dentro.
2. Quite el indicador de estado usado.
3. Instale el nuevo filtro de aire y el indicador de estado del filtro siguiendo las instrucciones en las secciones anteriores.

Instalación del preservador de alimentos frescos (en algunos modelos)

El preservador de alimentos frescos absorbe el etileno, para así enlentecer el proceso de maduración de varios productos frescos. A consecuencia de esto, ciertos productos permanecerán frescos por más tiempo.

La producción de etileno y el grado de sensibilidad dependen del tipo de fruta o vegetal. Para mantener la frescura, es mejor separar los alimentos frescos con sensibilidad al etileno de las frutas que producen cantidades de etileno moderadas a altas.

	Sensibilidad al etileno	Ritmo de producción de etileno
Manzanas	Alta	Muy alto
Espárragos	Media	Muy bajo
Bayas	Baja	Bajo
Brócoli	Alta	Muy bajo
Cantalupo	Media	Alto
Zanahorias	Baja	Muy bajo
Frutos cítricos	Media	Muy bajo
Uvas	Baja	Muy bajo
Lechuga	Alta	Muy bajo
Peras	Alta	Muy alto
Espinaca	Alta	Muy bajo

Cómo instalar el preservador de alimentos frescos

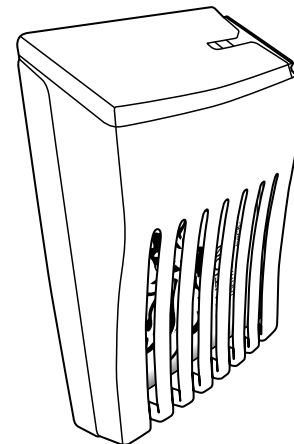
CUIDADO: PRODUCTO IRRITANTE

PUEDE IRRITAR LOS OJOS Y LA PIEL. SE FORMAN GASES PELIGROSOS CUANDO SE MEZCLA CON OTROS PRODUCTOS.

No lo mezcle con productos de limpieza que contengan amoníaco, blanqueador o ácidos. No deje que entre en contacto con los ojos, la piel o la ropa. No respire el polvo. Manténgalo fuera del alcance de los niños.

TRATAMIENTO DE PRIMEROS AUXILIOS: Contiene permanganato de potasio. Si se ingiere el producto, llame inmediatamente al Poison Control Center (Servicio de toxicología) o a un médico. No induzca al vómito. Si el producto se introduce en los ojos, enjuague con agua durante 15 minutos. Si entra en contacto con la piel, enjuague con agua.

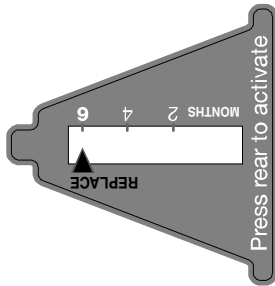
1. Busque el alojamiento del preservador de alimentos frescos dentro del refrigerador.



- Abra el alojamiento jalando por la parte posterior hacia arriba.
- Saque las bolsas FreshFlow™ del preservador de alimentos frescos del paquete y colóquelas dentro del alojamiento.
NOTA: Para el mejor desempeño, use siempre dos bolsas.
- Coloque el alojamiento del preservador de alimentos frescos sobre la lengüeta ubicada en la parte posterior del cajón para verduras.

Cómo instalar el indicador de estado del filtro

El preservador de alimentos frescos viene con un indicador de estado que se debe activar e instalar en el mismo momento que se instalan las bolsas.



- Coloque el indicador boca abajo sobre una superficie firme y plana.
- Para activar el indicador, aplique presión sobre la burbuja ubicada en la parte posterior del indicador, hasta que ésta se reviente.

- Deslice la tapa que está en la parte superior del alojamiento del preservador de alimentos frescos para abrirlo.
- Coloque el indicador en la parte superior del alojamiento, mirando hacia fuera.
- Cierre la tapa deslizándola y revise que el indicador esté visible a través del orificio rectangular en la tapa.
NOTA: La tapa no se cerrará con facilidad si no se ha reventado la burbuja del indicador.

Cómo volver a colocar el preservador de alimentos frescos

Las bolsas desechables deberán reemplazarse cada 6 meses, cuando el indicador de estado haya cambiado de blanco a rojo completamente.

Contáctese con nosotros para pedir reemplazos. Consulte "Accesorios" para obtener información acerca de cómo hacer un pedido.

- Quite las bolsas usadas del alojamiento del preservador de alimentos frescos.
- Quite el indicador de estado usado.
- Instale las bolsas de reemplazo y el nuevo indicador de estado siguiendo las instrucciones en las secciones anteriores.

Accesorios

Los siguientes accesorios están disponibles para su refrigerador. Para hacer un pedido, contáctenos y pida los números de pieza.

En los EE.UU., visite nuestra página de internet, www.maytag.com/accessories o llame al 1-800-901-2042.

En Canadá, visite nuestra página de internet, www.whirlpoolparts.ca o llame al 1-800-807-6777.

Limpiador de acero inoxidable affresh®:

En EE.UU., pida la pieza N° W10355016
En Canadá, pida la pieza N° W10355016B

Toallitas húmedas para acero inoxidable affresh®:

En EE.UU., pida la pieza N° W10355049
En Canadá, pida la pieza N° W10355049B

Limpiador para cocina y electrodomésticos affresh®:

En EE.UU., pida la pieza N° W10355010
En Canadá, pida la pieza N° W10355010B

Filtro de agua:

Pida la pieza N° W10413645A o FILTER2

Filtro de aire:

Pida la pieza N° W10311524 o AIR1

Preservador de alimentos frescos:

Pida la pieza N° W10346771A o FRESH1

Paquete de filtro de agua, filtro de aire y preservador de alimentos frescos:

Pida la pieza N° W10413643 BL

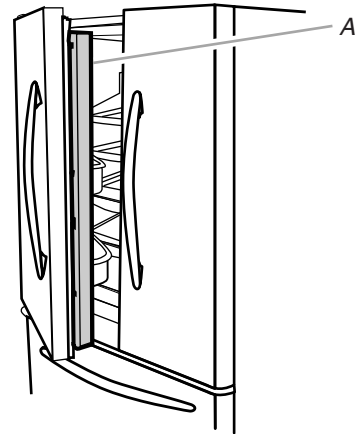
USO DE SU REFRIGERADOR

Cómo abrir y cerrar las puertas

El compartimiento del refrigerador tiene dos puertas. Las puertas pueden abrirse y cerrarse ya sea individualmente o a la vez.

Hay una junta con bisagras verticales en la puerta izquierda del refrigerador.

- Cuando se abre la puerta izquierda, la junta con bisagras se pliega hacia adentro automáticamente, para quedar fuera del camino.
- Cuando ambas puertas están cerradas, la junta con bisagras forma automáticamente un sello entre las dos puertas.



A. Junta con bisagras

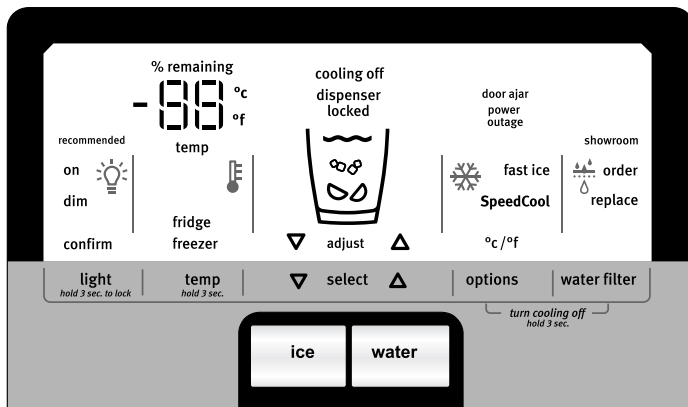
Uso de los controles

Los controles se encuentran encima del despachador exterior.

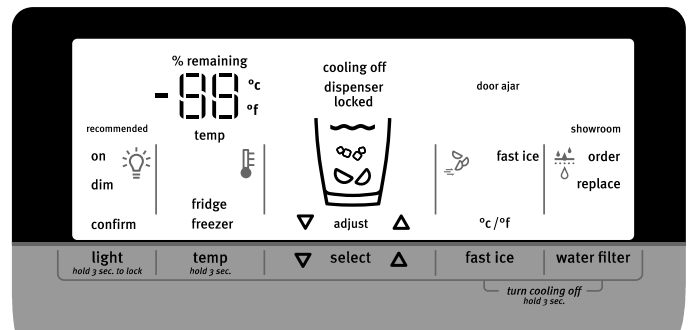
IMPORTANTE:

- Dependiendo de su modelo, su refrigerador puede tener controles del **Estilo 1** o **Estilo 2**. Siga las instrucciones que sean específicas para su modelo.
- Los controles del **Estilo 1** se muestran en las imágenes a continuación, excepto donde se indique otra cosa.
- La pantalla del panel de control del despachador se apagará automáticamente, e ingresará al modo de “dormir” cuando los botones del control y las paletas del despachador no se hayan utilizado por 2 minutos o más. Presione cualquier control para reactivar la pantalla.

Estilo 1



Estilo 2



Cómo ver y regular los puntos de ajuste de temperatura

Para su conveniencia, los controles de temperatura del refrigerador y del congelador están fijados en los puntos de ajuste recomendados de fábrica.

Cuando instale el refrigerador por primera vez, asegúrese de que los controles de temperatura estén todavía fijados en los puntos de ajuste recomendados. Los puntos de ajuste recomendados son 37 °F (3 °C) para el refrigerador y 0 °F (-18 °C) para el congelador.

IMPORTANTE:

- Espere 24 horas antes de colocar alimentos en el refrigerador. Si agrega alimentos antes de que el refrigerador se haya enfriado por completo, podrían echarse a perder.

NOTA: El poner los puntos de ajuste un ajuste más frío que el recomendado, no hará que el compartimiento se enfríe más rápido.

- Si la temperatura está demasiado elevada o demasiado baja en el refrigerador o en el congelador, antes de regular los controles, revise primero los orificios de ventilación para asegurarse de que no estén obstruidos.

- Los puntos de ajuste recomendados deben ser los correctos para un uso doméstico normal. Los controles están ajustados correctamente cuando la leche o los jugos están tan fríos como Ud. desea y cuando el helado tiene consistencia firme.

NOTA: Las áreas tales como un garage o un porch pueden tener temperaturas más elevadas o más bajas y una mayor humedad que en el interior de su hogar. Tal vez necesite regular la temperatura a puntos de ajuste diferentes de los recomendados para adaptarse a estas condiciones.

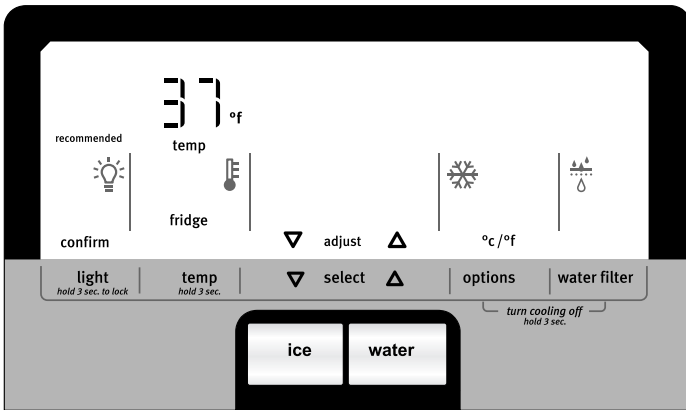
- Espere por lo menos 24 horas entre ajustes. Vuelva a verificar las temperaturas antes de realizar otros ajustes.

Cómo ver los puntos de ajuste de temperatura

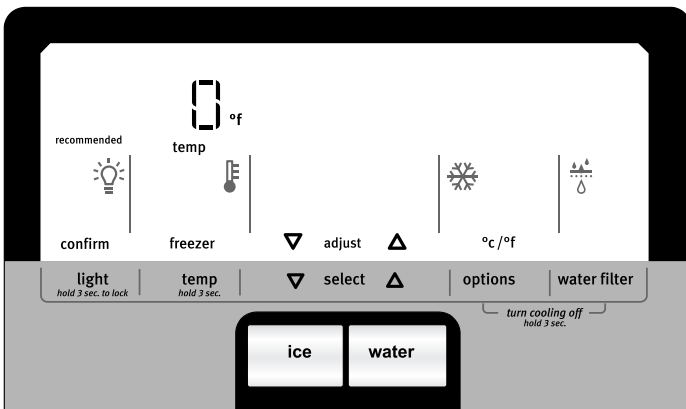
1. Presione y sostenga TEMP (Temperatura) por 3 segundos para activar el modo de temperatura.
2. Cuando esté activado el modo de temperatura, presione TEMP (Temperatura) para alternar entre Fridge (Refrigerador) y Freezer (Congelador). La pantalla mostrará el punto de ajuste de temperatura del compartimiento seleccionado, como se muestra.

NOTA: Para ver las temperaturas en grados Celsius, presione OPTIONS (Opciones). Para volver a fijar el ajuste en grados Fahrenheit, presione nuevamente OPTIONS (Opciones).

Temperatura recomendada del refrigerador



Temperatura recomendada del congelador



Regule los puntos de ajuste de temperatura

Rango de punto de ajuste del refrigerador: 33 °F a 45 °F (0 °C a 7 °C).

Rango de punto de ajuste del congelador: -5 °F a 5 °F (-21 °C a -15 °C).

1. Presione y sostenga TEMP (Temperatura) por 3 segundos para activar el modo de temperatura.
2. Cuando esté activado el modo de temperatura, presione TEMP (Temperatura) para seleccionar el área del refrigerador. La pantalla mostrará el punto de ajuste de temperatura del compartimiento seleccionado, como se muestra.
3. Presione la FLECHA de “adjust” (ajuste) HACIA ARRIBA para elevar el punto de ajuste de temperatura, o presione la FLECHA de “adjust” (ajuste) HACIA ABAJO para bajar el punto de ajuste de temperatura.
4. Cuando haya terminado de regular el punto de ajuste del refrigerador, presione TEMP (Temperatura) para que se muestre el punto de ajuste del congelador en la pantalla. Cuando el área se haya cambiado, aparecerá “freezer” (congelador) en la pantalla.
5. Presione la FLECHA de “adjust” (ajuste) HACIA ARRIBA para elevar el punto de ajuste de temperatura, o presione la FLECHA de “adjust” (ajuste) HACIA ABAJO para bajar el punto de ajuste de temperatura.
6. Presione LIGHT (Luz) para guardar y confirmar los nuevos puntos de ajuste, y para volver a la pantalla principal.

NOTA: Para salir del modo de Temp (Temperatura) sin guardar los cambios, deje que transcurran 60 segundos de inactividad. El modo de temperatura se apagará automáticamente y volverá a la pantalla normal.

Cuando regule los puntos de ajuste de la temperatura, utilice el siguiente cuadro como guía:

CONDICIÓN:	REGULACIÓN DE LA TEMPERATURA:
REFRIGERADOR demasiado frío	Ajuste del REFRIGERADOR 1° más alto
REFRIGERADOR demasiado caliente	Ajuste del REFRIGERADOR 1° más bajo
CONGELADOR demasiado frío	Ajuste del CONGELADOR 1° más alto
CONGELADOR demasiado caliente/ muy poco hielo	Ajuste del CONGELADOR 1° más bajo

Encendido/Apagado del enfriamiento

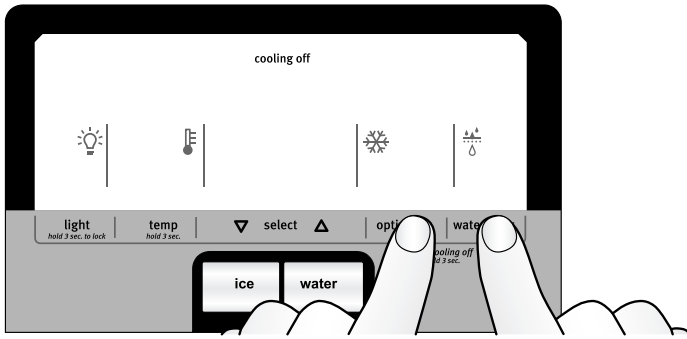
Su refrigerador y congelador no se enfriarán cuando el enfriamiento esté apagado. Cuando esté apagado el enfriamiento, se encenderá “cooling off” (enfriamiento apagado) en la pantalla.

Para apagar y encender el enfriamiento:

Estilo 1 - Presione y sostenga OPTIONS (Opciones) y WATER FILTER (Filtro de agua) a la vez durante 3 segundos, como se muestra.

Estilo 2 - Presione y sostenga FAST ICE (Hielo rápido) y WATER FILTER (Filtro de agua) a la vez durante 3 segundos.

IMPORTANTE: Para evitar cambiar involuntariamente otros ajustes, presione ambos botones exactamente al mismo tiempo.



Opciones

Estilo 1

Para obtener acceso a las opciones disponibles, presione el botón de OPTIONS (Opciones) para ver las siguientes elecciones en forma continua:

- **Fast Ice (Hielo rápido)** - La característica Fast Ice (Hielo rápido) ayuda en los períodos temporarios de alto consumo de hielo, al aumentar la producción de hielo en un período de 24 horas. Fast Ice (Hielo rápido) permanecerá encendido durante 24 horas a menos que se apague manualmente.

NOTAS:

- Fast Ice funciona solamente si está encendida la fábrica de hielo. Vea “Fábrica de hielo y depósito”.
- Si desea en todo momento un aumento en la producción del hielo, cambie el punto de ajuste del congelador a un ajuste más bajo. El fijar el congelador en una temperatura más baja puede endurecer más algunos alimentos como el helado.
- **SpeedCool (Enfriamiento acelerado)** - La característica de SpeedCool (Enfriamiento acelerado) ayuda en los períodos de alto uso del refrigerador, cargas completas de comestibles o temperaturas ambientales temporalmente elevadas. SpeedCool (Enfriamiento acelerado) permanecerá encendido durante 24 horas a menos que se apague manualmente.
- **NOTA:** Si usted regula el punto de ajuste de la temperatura del refrigerador, SpeedCool (Enfriamiento acelerado) se apagará.
- **Fast Ice (Hielo rápido) y Speed Cool (Enfriamiento acelerado)** - Indica que ambas características están activadas.
- **Todo OFF (Apagado) (prefijado)** - Todas las opciones están apagadas

Estilo 2

- **Fast Ice (Hielo rápido)** - La característica Fast Ice (Hielo rápido) ayuda en los períodos temporarios de alto consumo de hielo, al aumentar la producción de hielo en un período de 24 horas. Fast Ice (Hielo rápido) permanecerá encendido durante 24 horas a menos que se apague manualmente.
- Presione el botón de FAST ICE (Hielo rápido) para activar esta característica.

NOTAS:

- Fast Ice (Hielo rápido) funciona solamente si está encendida la fábrica de hielo. Vea “Fábrica de hielo y depósito”.
- Si desea en todo momento un aumento en la producción de hielo, cambie el punto de ajuste del congelador a un ajuste más bajo. El fijar el congelador en una temperatura más baja puede endurecer más algunos alimentos como el helado.

Características adicionales

Estado del filtro de agua

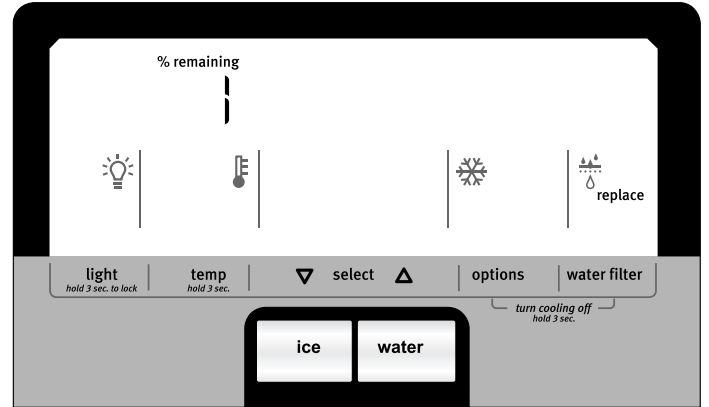
Presione WATER FILTER (Filtro de agua) para que aparezca en la pantalla el porcentaje de uso restante en el filtro de agua (de 99 % a 1 %).

ADEMÁS

Las luces de estado del filtro de agua le harán saber cuándo cambiar el filtro de agua. Vea “Sistema de filtración de agua”.

- **ORDER (Pedir) (Amarillo)** - Pida un filtro de agua de repuesto.
- **REPLACE (Reemplazar) (Rojo)** - Reemplace el filtro de agua.

NOTA: La palabra REPLACE (Reemplazar) permanecerá iluminada si no se instala un filtro o si se instala de modo incorrecto.



Alarma de puerta entreabierta

La alarma de puerta entreabierta le avisa cuando la puerta del refrigerador o el cajón del congelador ha estado abierta/o durante 5 minutos o más y está funcionando el enfriamiento.

Las palabras “Door Ajar” (Puerta entreabierta) aparecerán en la pantalla del panel de control y sonará un tono de alerta de la alarma. El tono de alerta se repetirá cada 2 minutos. Cierre las puertas y el cajón para apagar el tono. La característica se restablecerá y se reactivará cuando se deje nuevamente abierta la puerta o el cajón durante 5 minutos.

NOTA: Para silenciar el tono de alerta mientras mantiene las puertas abiertas, como por ejemplo al limpiar el interior del refrigerador, presione cualquier botón en el panel de control. El tono de alerta se apagará temporalmente, pero el ícono de “Door Ajar” (Puerta entreabierta) seguirá apareciendo en la pantalla del panel de control del despachador.

Indicador de corte de corriente (en algunos modelos)

El indicador de corte de corriente le permite saber si se ha interrumpido el suministro de energía al refrigerador y si la temperatura del congelador se ha elevado a 18 °F (-8 °C) o más.

Aparecerán en la pantalla del panel de control las palabras “Power Outage” (Corte de corriente) y sonará tres veces un tono de alerta. Las palabras “Power Outage” (Corte de corriente) continuarán destellando hasta que usted reconozca que ha habido un corte de corriente.

- Presione cualquier botón del control para confirmar. El ícono de Power Outage (Corte de corriente) desaparecerá y el panel de control retornará a la pantalla principal.

Desactivación de sonidos (en algunos modelos)

Cuando el panel de control se silencia, todos los tonos, excepto los tonos de alerta, quedarán desactivados.

- Para apagar/encender los sonidos del control y del despachador, presione y sostenga LIGHT (Luz) y WATER FILTER (Filtro de agua) a la vez durante 3 segundos.

Modo de sala de exposición

Este modo se usa solamente cuando el refrigerador está de muestra en una tienda minorista. Si usted activa accidentalmente el modo de sala de exposición, aparecerá "Showroom" (Sala de exposición) en la pantalla. Todas las luces y los controles funcionarán, pero el refrigerador no enfriará.

Para salir del modo de sala de exposición:

Estilo 1 - Presione TEMP (Temperatura) y OPTIONS (Opciones) a la vez durante 3 segundos

Estilo 2 - Presione TEMP (Temperatura) y FAST ICE (Hielo rápido) a la vez durante 3 segundos.

Despachadores de agua y hielo

IMPORTANTE:

- Deje transcurrir 3 horas para que el refrigerador se enfríe y pueda enfriar el agua.
- Deje transcurrir 24 horas para la producción del primer lote de hielo. Deshágase de los tres primeros lotes de hielo producidos. Deje que transcurran 2 a 3 días después de la instalación para que el depósito de hielo se llene por completo.
- El sistema de distribución no funcionará cuando la puerta del refrigerador o el cajón del congelador esté abierta/o.

Enjuague el sistema de agua

El aire en el sistema de despacho de agua puede hacer que gotee agua del despachador. Después de haber conectado el refrigerador a un suministro de agua o de haber reemplazado el filtro de agua, enjuague el sistema de agua.

Al enjuagar el sistema de despacho de agua, sacará el aire de la línea de agua y del filtro, y preparará el filtro de agua para ser usado. En algunas casas se podrá requerir enjuague adicional.

NOTA: A medida que sale aire del sistema, es posible que salgan chorros de agua repentinos del despachador.

1. Con un recipiente resistente, presione y sostenga la paleta del despachador de agua durante 5 segundos.
2. Suelte la paleta del despachador durante 5 segundos. Repita los pasos 1 y 2 hasta que comience a salir el agua.
3. Una vez que el agua haya comenzado a correr, continúe presionando y soltando la paleta del despachador (5 segundos activado, 5 segundos desactivado) hasta despachar un total de 3 gal (12 L).

El despachador de agua

IMPORTANTE:

- Despache por lo menos 1 qt (1 L) de agua cada semana para mantener un suministro fresco.
- Si disminuye el flujo de agua desde el despachador, puede ser debido a una presión de agua baja.

Para revisar la presión de agua:

- Quite el filtro de agua y despache 1 taza de agua. Si 1 taza de agua se despacha en 8 segundos o menos, la presión de agua al refrigerador satisface el requisito mínimo.
- Si demora más de 8 segundos en despachar 1 taza de agua, esto significa que la presión de agua al refrigerador es más baja de la recomendada. Vea "Requisitos del suministro de agua" y "Solución de problemas" para posibles soluciones.

El despachador de hielo

El hielo se despacha del depósito de la fábrica de hielo. Para apagar la fábrica de hielo, vea "Fábrica de hielo y depósito".

Es posible que el despachador continúe haciendo ruido y que siga saliendo hielo por varios segundos después de soltar el botón o la paleta del despachador.

IMPORTANTE: Si los cubos de hielo están huecos o tienen una forma irregular, podría deberse a una presión de agua baja. Vea "Requisitos del suministro de agua".

Para limpiar el conducto de distribución de hielo:

La humedad hace que el hielo se aglutine naturalmente. Las partículas de hielo pueden acumularse hasta que el conducto de distribución de hielo se bloquee.

Si no se despacha hielo con regularidad, tal vez sea necesario vaciar el depósito de hielo y limpiar el conducto de salida del mismo, el depósito y el área debajo del depósito de hielo cada 2 semanas.

- Si es necesario, quite el hielo que esté atascado en el depósito y el conducto de salida de hielo con un utensilio de plástico.
- Limpie el conducto de salida de hielo y la base del depósito de hielo con un paño humedecido con agua tibia; luego seque meticulosamente.

Distribución de agua o hielo

IMPORTANTE:

- Sostenga el vaso junto a la abertura del despachador para que el agua o el hielo caiga en el vaso.
- No necesita aplicar mucha presión al botón o a la paleta para activar el despachador. Oprimir fuerte no hará que el despachador funcione con más rapidez o produzca mayor cantidad de hielo o agua.

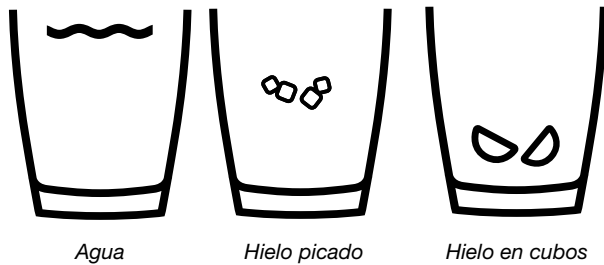
Presione SELECT (Seleccionar) para ver las siguientes opciones en forma continua: Los íconos en la pantalla indican su selección.

- Water (Agua - Prefijado) - Distribuye agua
- Crushed Ice (Hielo picado) - Distribuye hielo picado

NOTA: Los cubos se trituran antes de ser despachados. Esto puede retrasar un poco la distribución del hielo picado. El ruido proveniente del triturador de hielo es normal y los trozos de hielo pueden variar en tamaño.

- Cubed Ice (Hielo en cubos) - Distribuye hielo en cubos.

NOTA: Cuando cambie de la posición de hielo picado a cubos, caen unas onzas de hielo picado junto con los primeros cubos.



Uso

Para despachar agua

1. Presione y sostenga el botón de WATER (Agua) para comenzar a despachar agua.
2. Suelte el botón para dejar de servir.

O BIEN

1. Oprima un vaso resistente contra la paleta del despachador.
2. Retire el vaso para detener la salida de agua.

⚠ ADVERTENCIA

Peligro de Cortaduras

Use un vaso resistente para recibir hielo del despachador.

No seguir esta instrucción puede ocasionar cortaduras.

Para despachar hielo

1. Presione el botón de ICE (Hielo) para comenzar a despachar hielo.
2. Suelte el botón para dejar de servir.

O BIEN

1. Oprima un vaso resistente contra la paleta del despachador.
2. Retire el vaso para detener la salida de hielo.

Fábrica de hielo y depósito de hielo (en algunos modelos)

IMPORTANTE: Para evitar una baja producción de hielo y hielo de calidad insatisfactoria, enjuague el sistema de agua antes de encender la fábrica de hielo. Vea “Despachador de agua”.

- Deje transcurrir 24 horas para la producción del primer lote de hielo. Deshágase de los tres primeros lotes de hielo producidos. Deje transcurrir 2 a 3 días para que se llene por completo el depósito después de la instalación.

Cómo despachar hielo y agua

Se mostrarán dos tipos de despachado en el panel de control. Aparecerán en la pantalla ya sea agua y hielo picado o agua y hielo en cubos.

1. Presione SELECT (Seleccionar) para seleccionar hielo picado o en cubos.
2. Presione el botón de ICE (Hielo) y el de WATER (Agua) a la vez. Suelte los botones cuando desee dejar de despachar.

O BIEN

1. Presione SELECT (Seleccionar) para seleccionar hielo picado o en cubos.
2. Presione el botón de WATER (Agua) y la paleta del despachador a la vez. Suelte el botón y la paleta cuando desee dejar de despachar.

La luz del despachador

Cuando utilice el despachador, la luz se encenderá automáticamente.

Para encender la luz cuando no esté usando el despachador:

Presione LIGHT (Luz) para ver las siguientes opciones en forma continua:

- OFF (Apagado - prefijado) - La luz del despachador está apagada
- ON (Encendido) - La luz del despachador está encendida con un brillo de 100 %
- DIM (Tenue) - La luz del despachador está encendida con un brillo de 50 %

Las luces del despachador son LEDs y no se pueden cambiar. Si parece que las luces del despachador no están funcionando, vea “Solución de problemas” para obtener más información.

El bloqueo del despachador

El despachador puede apagarse para facilitar la limpieza o para evitar que sea activado accidentalmente por niños pequeños o animales domésticos.

NOTA: La función de bloqueo no interrumpe el flujo eléctrico al refrigerador, a la fábrica de hielo o a la luz del despachador. Únicamente desactiva los controles y las barras del despachador. Para apagar la fábrica de hielo, vea “Fábrica de hielo y depósito”.

- Para bloquear/desbloquear el despachador, presione y sostenga LIGHT (Luz) por 3 segundos. Aparecerá “Dispenser Locked” (Despachador bloqueado) en la pantalla.

- La calidad del hielo dependerá de la calidad del agua que suministre a su fábrica de hielo. Evite la conexión de la fábrica de hielo a un suministro de agua blanda. Las sustancias químicas utilizadas para ablandar el agua (como la sal) pueden dañar ciertos componentes de la fábrica de hielo y producir un hielo de muy baja calidad. Si no se puede evitar el uso de un suministro de agua blanda, asegúrese de que el ablandador de agua esté funcionando correctamente y que goce de un buen mantenimiento.

- Si el hielo se aglutina en el depósito, rómpalo con un utensilio de plástico y deséchelo. No use nada filoso para romperlo. Esto puede dañar el depósito y el mecanismo de despachado.

- No guarde nada dentro del depósito de hielo.

Ritmo de producción de hielo

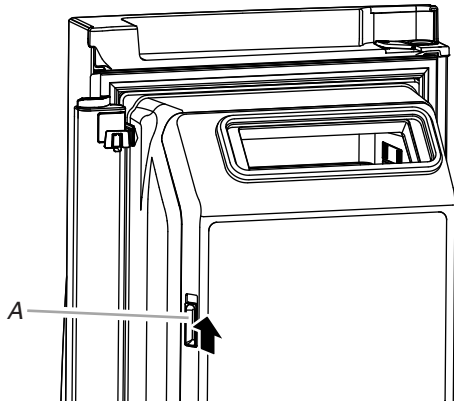
- La fábrica de hielo deberá producir aproximadamente 3 lb (1,4 kg) de hielo por día bajo el funcionamiento normal.
- Para aumentar la producción de hielo, seleccione la característica de aumento de hielo en el menú de Options (Opciones) del panel de control. Vea "Uso del (de los) control(es)".

Estilo 1 – Fábrica de hielo en el refrigerador (en algunos modelos)

La fábrica de hielo está situada en el lado izquierdo del techo, en el compartimiento del refrigerador. Los cubos de hielo son expulsados dentro del depósito de hielo, situado en la puerta izquierda del refrigerador.

Para encender y apagar la fábrica de hielo

1. Empuje el seguro que está en el lado izquierdo del compartimiento de hielo para abrir la puerta.

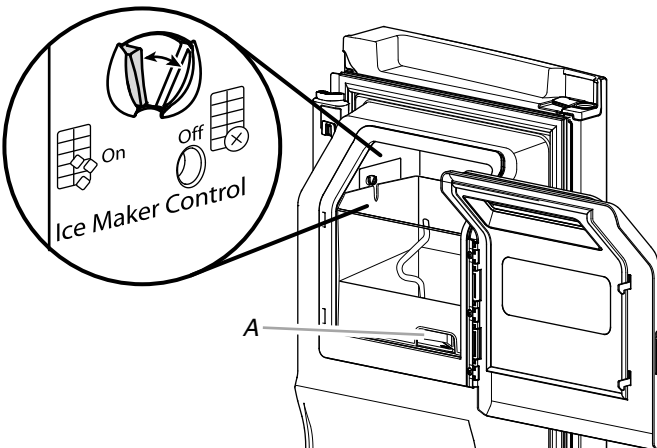


A. Seguro de la puerta del compartimiento de hielo

2. Encienda la fábrica de hielo moviendo el interruptor hacia la posición de ON (Encendido - hacia la izquierda).

NOTAS:

- Para apagar la fábrica de hielo manualmente, mueva el control a la posición de OFF (Apagado - hacia la derecha).
- La fábrica de hielo tiene un apagado automático. El sensor detendrá automáticamente la producción de hielo si el depósito de hielo está lleno, si se abre la puerta o si se quita el depósito de hielo. El control permanecerá en la posición ON (Encendido - hacia la izquierda).



A. Seguro de liberación del depósito de hielo

3. Cierre la puerta del compartimiento de hielo.

Para quitar y volver a colocar el depósito de hielo

- Saque el depósito de hielo colocando los dedos dentro del orificio que está en la base del depósito y apretando el seguro de liberación del depósito del compartimiento. Levante el depósito de hielo y jálalo directamente hacia afuera.
- Vuelva a colocar el depósito dentro del compartimiento de hielo y empújelo hacia abajo para asegurarse de que esté seguro en su lugar.

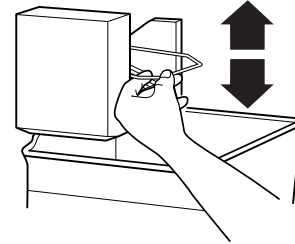
Estilo 2 – Fábrica de hielo en el congelador (en algunos modelos)

Para encender y apagar la fábrica de hielo

Para ENCENDER la fábrica de hielo, sencillamente baje el brazo de control de alambre.

Para APAGAR la fábrica de hielo manualmente, levante el brazo de control de alambre a la posición OFF (Apagado - brazo elevado) y escuche el chasquido.

NOTA: La fábrica de hielo tiene un apagado automático. A medida que se produce el hielo, los cubitos de hielo llenarán el depósito para hielo y éstos levantarán el brazo de control de alambre a la posición OFF (Apagado - brazo elevado). No fuerce el brazo de control de alambre hacia arriba o hacia abajo.



NOTA: Apague la fábrica de hielo antes de quitar el depósito de hielo para limpiarlo o para servir hielo. Esto evitará que los cubos de hielo se caigan y salgan de la fábrica de hielo hacia el compartimiento del congelador. Encienda la fábrica de hielo después de volver a colocar el depósito de hielo.

CARACTERÍSTICAS DEL REFRIGERADOR

Información importante para saber acerca de los estantes y tapas de vidrio:

No limpie los estantes y tapas de vidrio con agua caliente mientras están fríos. Los estantes y tapas pueden romperse si se exponen a cambios bruscos de temperatura o impacto, como sería un golpe brusco. El vidrio templado se ha diseñado para hacerse añicos. Esto es normal. Los estantes y tapas de vidrio son muy pesados. Use ambas manos al sacarlos para evitar que se caigan.

Estantes del refrigerador

Los estantes de su refrigerador son ajustables para adaptarlos a sus necesidades individuales de almacenamiento.

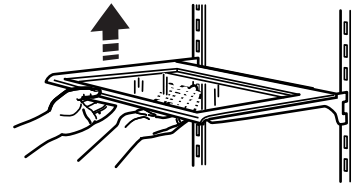
Si usted guarda alimentos similares juntos en el refrigerador y ajusta los estantes para que se adapten a las diferentes alturas de los artículos, le será muy fácil encontrar exactamente el artículo que desea. Asimismo, se reduce el tiempo que el refrigerador permanece abierto y se ahorra energía.

Estantes y marcos de los estantes

Para quitar y volver a colocar un estante/marco del estante:

1. Quite el estante/marco inclinándolo por el frente y levantándolo fuera de los soportes.

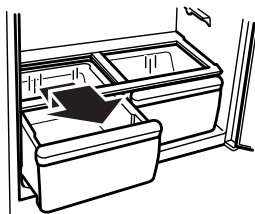
2. Vuelva a colocar el estante/marco guiando los ganchos posteriores del estante dentro de los soportes. Incline el frente del estante hacia arriba hasta que los ganchos traseros del estante encajen en los soportes del estante.
3. Baje el frente del estante y verifique que esté firme en su lugar.



Cajón para verduras y tapa

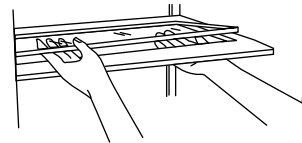
Para quitar y volver a colocar el (los) cajón (cajones) para verduras:

1. Deslice el (los) cajón (cajones) hasta el tope. Levante el (los) cajón (cajones) de las guías y jálelo(s) hacia fuera hasta que salga(n).
2. Vuelva a colocar el (los) cajón (cajones) colocándolo(s) sobre las guías y empujándolo(s) nuevamente hacia su posición, pasando el tope.



Para quitar la tapa del(de los) cajón (cajones) para verduras:

1. Saque el(los) cajón(cajones) para verduras.
2. Sostenga la pieza de vidrio firmemente con una mano y presione hacia arriba en el centro de la pieza de vidrio hasta que se levante por encima del marco de plástico. Deslice suavemente la pieza de vidrio hacia adelante para sacarla.
3. Levante el marco de la tapa y sáquela.



Para volver a colocar la tapa del(de los) cajón(cajones) para verduras:

1. Calce la parte trasera del marco de la tapa en los soportes que están en las paredes laterales del refrigerador y baje la parte delantera del marco de la tapa hasta su lugar.
2. Deslice la parte posterior de la pieza de vidrio en el marco de la tapa y baje el frente a su lugar.

Control de humedad del cajón para verduras

Usted puede controlar el nivel de humedad en el cajón hermético anti-humedad para verduras. Regule el control a cualquier ajuste entre LOW (Bajo - abierto) y HIGH (Alto - cerrado).

LOW (Bajo) - Mueva el control hacia el lado izquierdo para permitir que salga el aire húmedo del cajón, para un mejor almacenamiento de las frutas y los vegetales con cáscara.

- Frutas: Lávelas, déjelas secar y guárdelas en el refrigerador en bolsas de plástico o en el cajón para verduras. No lave ni pele las bayas hasta el momento de usarlas. Separe y guarde las frutas del bosque en su recipiente original en el cajón para verduras, o guárdelas sin apretar en una bolsa de papel cerrada en un estante del refrigerador.

- Verduras con cáscaras: Colóquelas en bolsas de plástico o recipientes de plástico y guárdelas en el cajón para verduras.

HIGH (Alto) - Mueva el control hacia el lado derecho para mantener el aire húmedo en el cajón, para un mejor almacenamiento de los vegetales frescos con hoja.

- Verduras de hoja: Lávelas con agua fría, escúrralas y corte o arranque las partes magulladas o amarillentas. Colóquelas en una bolsa o recipiente de plástico y guárdelas en el cajón para verduras.

Moisture Control



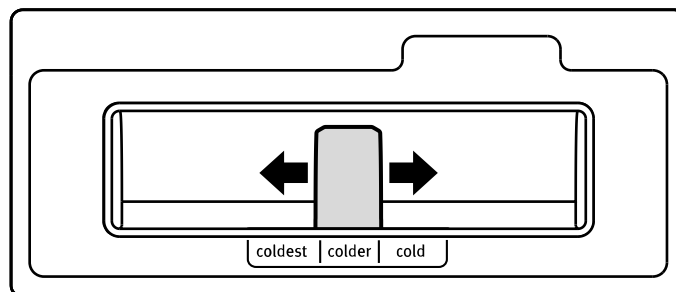
Cajón con temperatura controlada

IMPORTANTE: Este control fija la temperatura solamente para este cajón. No fija la temperatura para los compartimientos del refrigerador ni del congelador, ni apaga el enfriamiento a los mismos.

El cajón de ancho completo y con temperatura controlada puede usarse para guardar bandejas grandes de carnes frías, carne fresca, bebidas u otros artículos que desee guardar a una temperatura óptima.

Dependiendo de su modelo, el refrigerador tendrá un control electrónico o un control manual. Siga las indicaciones que sean específicas para su modelo.

NOTA: No coloque los vegetales con hojas en el cajón con temperatura controlada. Las temperaturas más bajas pueden dañar los productos con hojas.



Cómo quitar y volver a colocar el cajón

Para sacar el cajón:

1. Empuje el cajón hasta que se cierre por completo.
2. Levante el frente del cajón y jálalo para sacarlo.

Para volver a colocar el cajón:

1. Empuje las guías de metal hacia la parte trasera del refrigerador.
2. Coloque el cajón sobre las guías. Mientras inclina la parte posterior del cajón hacia arriba, deslice el cajón hacia la parte posterior del refrigerador.

Divisor del cajón

Para sacar el divisor:

1. Jale del cajón hacia afuera en toda su extensión.
2. Levante el frente del divisor y jálalo para sacarlo.

Para volver a colocar el divisor:

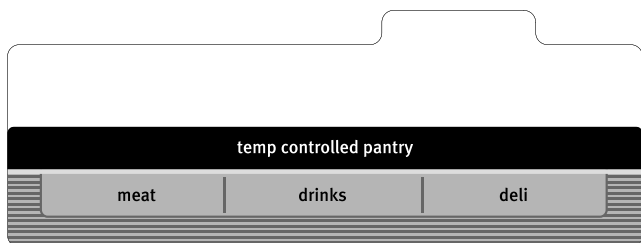
1. Coloque el divisor de manera que las características que se encuentran en la parte inferior del divisor queden alineadas con las características correspondientes en el cajón.
2. Baje el divisor para colocarlo en su lugar.

Estilo 1 – Control electrónico

Presione el botón que corresponda a los artículos guardados en el cajón.

- Meat (Carne) (más frío)
- Drinks (Bebidas) (prefijado)
- Deli (Carnes frías) (menos frío)

NOTA: Si no se presiona ningún botón, el control volverá al ajuste prefijado, DRINKS (Bebidas).



Estilo 2 – Control manual

Deslice el control hacia el ajuste de temperatura más adecuado para los artículos guardados en el cajón.

- Coldest (El más frío) - Carnes
- Colder (Más frío) - Bebidas
- Cold (Frío) - Carnes frías

Guía para la conservación de carnes

Guarde la mayoría de las carnes en su envoltura original siempre y cuando sea hermética y a prueba de humedad. Vuelva a envolverlas si fuera necesario. Consulte el cuadro siguiente respecto a los períodos de conservación. Para guardar la carne por un tiempo más prolongado que los períodos indicados, congélela.

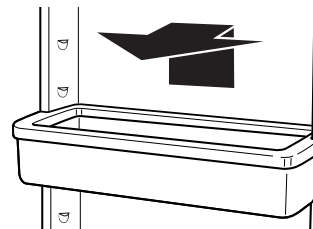
Pescado o mariscos frescos.. úselos el mismo día en que los compró
 Pollo, carne molida, carnes diversas (hígado)..... 1-2 días
 Fiambres, filetes/asados..... de 3 a 5 días
 Carnes curadas de 7 a 10 días
 Sobras - Cubra las sobras con envoltura de plástico, papel de aluminio o guárdelas en recipientes de plástico con tapas herméticas.

CARACTERÍSTICAS DE LA PUERTA

Recipientes de la puerta

Para quitar y volver a colocar los recipientes:

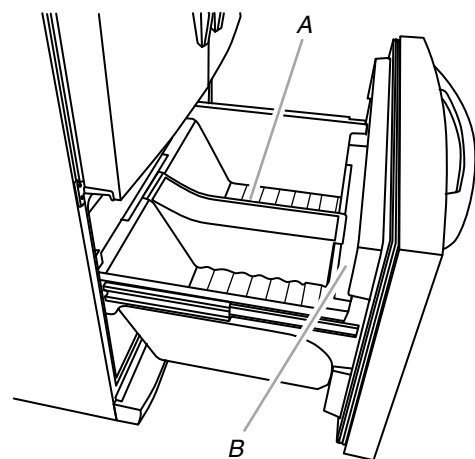
1. Quite el recipiente levantándolo y jalándolo directamente hacia afuera.
2. Vuelva a colocar el recipiente deslizándolo encima del soporte deseado y empujándolo hacia abajo hasta que se detenga.



CARACTERÍSTICAS DEL CONGELADOR

Espacio para pizzas y divisor del cajón

El divisor del cajón no es removible. Para tener flexibilidad al almacenar, el divisor puede moverse unos centímetros a cada lado, permitiéndole así guardar artículos más grandes en una sección del cajón del congelador.



A. Divisor del cajón
 B. Espacio para pizzas

CUIDADO DE SU REFRIGERADOR

Limpieza

ADVERTENCIA



Peligro de Explosión

Use un limpiador no inflamable.

No seguir esta instrucción puede ocasionar la muerte, explosión o incendio.

Tanto la sección del refrigerador como la del congelador se descongelan automáticamente. No obstante, limpie ambas secciones más o menos una vez al mes para evitar la acumulación de olores. Limpie los derrames de inmediato.

Limpieza del exterior

Vea la información relativa a la limpieza del exterior que sea específica para su modelo.

Estilo 1 – Puerta lisa

IMPORTANTE: No están cubiertos bajo la garantía los daños al acabado liso debidos al uso inadecuado de los productos de limpieza o de productos de limpieza no recomendados. Los utensilios filosos o de punta roma estropearán el acabado.

USE

✓ Paño suave y limpio

✓ Agua tibia jabonosa - use un detergente suave

NO USE

✗ Paños ásperos
✗ Toallas de papel o papel de diario
✗ Esponja de fibra metálica

✗ Polvos o líquidos abrasivos
✗ Rociadores para ventana
✗ Amoniaco
✗ Limpiadores a base de ácido o vinagre
✗ Limpiadores para horno
✗ Líquidos inflamables

NOTA: Las toallas de papel pueden opacar el acabado transparente de la puerta pintada. Para evitar posibles daños, use solamente paños suaves y limpios para pulir y limpiar la puerta.

Estilo 2 – Acero inoxidable

IMPORTANTE:

- No están cubiertos bajo la garantía los daños al acabado de acero inoxidable debidos al uso inadecuado de los productos de limpieza o de productos de limpieza no recomendados.

USE

✓ Paño suave y limpio

✓ Agua tibia y jabonosa

✓ Para la suciedad rebelde, use **SOLAMENTE** un limpiador para acero inoxidable diseñado para aparatos. Para pedir el limpiador, vea “Accesorios”.

NO USE

✗ Paños ásperos
✗ Toallas de papel o papel de diario
✗ Esponja de fibra metálica

✗ Polvos o líquidos abrasivos
✗ Amoniaco
✗ Productos de limpieza a base de cítricos
✗ Limpiadores a base de ácido o vinagre
✗ Limpiadores para horno

✗ ¡El limpiador para acero inoxidable es solamente para partes de acero inoxidable! No permita que el limpiador de acero inoxidable entre en contacto con ninguna parte de plástico tales como las piezas decorativas, las tapas del despachador o las juntas de la puerta.

NOTAS:

- Si se produce contacto no intencional, limpie la pieza de plástico con una esponja y detergente suave en agua tibia. Seque meticulosamente con un paño suave.
- Solamente porque un producto de limpieza sea líquido no significa que no sea abrasivo. Varios limpiadores líquidos formulados para ser suaves sobre las baldosas y superficies lisas aun dañan el acero inoxidable.
- El ácido cítrico decolora para siempre el acero inoxidable. Para evitar dañar el acabado de su refrigerador de acero inoxidable:

No permita que estas sustancias permanezcan en el acabado

- ✗ Mostaza
- ✗ Salsas a base de cítricos
- ✗ Jugo de tomate
- ✗ Productos a base de cítricos
- ✗ Salsa para marinara

Limpeza del interior

1. Desenchufe el refrigerador o desconecte el suministro de energía.
2. Lave a mano, enjuague y seque todas las partes desmontables y las superficies interiores meticulosamente. Use una esponja limpia o un paño liso y un detergente suave en agua tibia.

NOTA: No use productos de limpieza abrasivos o ásperos, como aerosoles para ventanas, productos de limpieza para pulir, líquidos inflamables, ceras para limpieza, detergentes concentrados, blanqueadores o productos de limpieza que contengan productos de petróleo en las partes de plástico, revestimientos interiores y de la puerta o juntas.

3. Enchufe el refrigerador o reconecte el suministro de energía.

Limpeza del condensador

Una limpieza rutinaria del condensador no es necesaria en ambientes normales de operación en el hogar. Si el ambiente es particularmente grasoso o polvoriento, o si hay bastante tránsito de mascotas en el hogar, el condensador deberá limpiarse cada 2 ó 3 meses para asegurar la máxima eficacia.

Si necesita limpiar el condensador:

1. Desenchufe el refrigerador o desconecte el suministro de energía.
2. Quite la rejilla de la base.
3. Use una aspiradora con un cepillo suave para limpiar la rejilla, las áreas abiertas detrás de la rejilla y la superficie frontal del condensador.
4. Vuelva a colocar la rejilla de la base cuando termine.
5. Enchufe el refrigerador o reconecte el suministro de energía.

Luces

Las luces de los compartimientos del refrigerador y del congelador son del tipo LED y no necesitan ser reemplazadas. Si las luces no se encienden cuando se abre la puerta o el cajón, llame para solicitar ayuda o servicio técnico. En EE.UU., llame al **1-800-253-1301**. En Canadá, llame al **1-800-807-6777**.

Cuidado durante las vacaciones y mudanzas

Vacaciones

Si Ud. decide dejar el refrigerador funcionando mientras está ausente:

1. Use todos los artículos perecederos y congele el resto.
2. Si su refrigerador tiene una fábrica de hielo automática y está conectada al suministro de agua de la casa, cierre el suministro de agua al refrigerador. Si no se cierra el suministro de agua, pueden ocurrir daños a la propiedad.
3. Si usted tiene una fábrica de hielo automática, apáguela.

NOTA: Según el modelo, levante el brazo de control de alambre a la posición de OFF (Apagado - hacia arriba), o presione el interruptor hacia OFF (Apagado).
4. Vacíe el depósito de hielo.

Si Ud. decide apagar el refrigerador antes de irse:

1. Saque toda la comida del refrigerador.
2. Si su refrigerador tiene fábrica de hielo automática:
 - Cierre el suministro de agua a la fábrica de hielo por lo menos un día antes.
 - Cuando el último lote de hielo caiga, levante el brazo de control de alambre a la posición OFF (Apagado—hacia arriba) o mueva el interruptor a la posición OFF (Apagado), dependiendo del modelo.
3. Apague el (los) control(es) de temperatura. Vea “Uso del(de los) control(es)”.
4. Limpie el refrigerador, pásele un paño y séquelo bien.
5. Fije bloques de goma o de madera con cinta adhesiva a la parte superior de ambas puertas para que queden abiertas y el aire circule. Esto evita que se formen olores y que crezcan hongos.

Mudanza

Si Ud. muda su refrigerador a una casa nueva, siga los pasos a continuación para prepararse para la mudanza.

1. Si su refrigerador tiene fábrica de hielo automática:
 - Cierre el suministro de agua a la fábrica de hielo por lo menos un día antes.
 - Desconecte la tubería de agua que está atrás del refrigerador.
 - Cuando el último lote de hielo caiga, levante el brazo de control de alambre a la posición OFF (Apagado—hacia arriba) o mueva el interruptor a la posición OFF (Apagado), dependiendo del modelo.
2. Saque toda la comida del refrigerador y empaque todos los alimentos congelados en hielo seco.
3. Vacíe el depósito de hielo.
4. Apague el (los) control(es) de temperatura. Vea “Uso del(de los) control(es)”.
5. Desenchufe el refrigerador.
6. Limpie, pásele un paño y seque bien.
7. Saque todas las partes desmontables, envuélvalas bien y asegúrelas con cinta adhesiva para que no se muevan ni se sacudan durante la mudanza.
8. Según el modelo, levante la parte delantera del refrigerador para que ruede con facilidad O BIEN, levante los tornillos niveladores para no rayar el piso. Vea “Ajuste la(s) puerta(s)”.
9. Sostenga las puertas cerradas y el cable pegado a la parte posterior del refrigerador con cinta adhesiva.

Cuando llegue a la casa nueva, ponga todo de nuevo en su lugar y lea la sección “Instrucciones de instalación” para obtener instrucciones de preparación. Además, si su refrigerador tiene fábrica de hielo automática, recuerde volver a conectar el suministro de agua al refrigerador.


SOLUCIÓN DE PROBLEMAS

Pruebe primero las soluciones sugeridas aquí o visite nuestro sitio de internet y consulte “Preguntas que se hacen con frecuencia”, para evitar posiblemente el costo de una visita de servicio técnico.

En EE.UU., www.maytag.com En Canadá, www.maytag.ca

Funcionamiento

⚠ ADVERTENCIA



Peligro de Choque Eléctrico

Conecte a un contacto de pared de conexión a tierra de 3 terminales.

No quite la terminal de conexión a tierra.

No use un adaptador.

No use un cable eléctrico de extensión.

No seguir estas instrucciones puede ocasionar la muerte, incendio o choque eléctrico.

PROBLEMA	CAUSAS POSIBLES	SOLUCIONES
El refrigerador no funciona	Verifique el suministro eléctrico	Conecte el cable eléctrico a un contacto de pared de conexión a tierra de 3 terminales. No use un cable eléctrico de extensión. Asegúrese de que haya corriente en el contacto. Enchufe una lámpara para ver si funciona el enchufe. Reposicione el cortacircuitos si se ha disparado. Reemplace los fusibles que se hayan quemado. NOTA: Si los problemas continúan, contacte a un electricista.
	Revise los controles	Asegúrese de que los controles estén encendidos. Vea “Uso del (de los) control(es)”.
	Instalación nueva	Deje transcurrir 24 horas después de la instalación para que el refrigerador se enfríe por completo. NOTA: El ajustar los controles de temperatura en la posición más fría no enfría ningún compartimiento más rápido.
	El control del refrigerador está en el modo de sala de exposición (en algunos modelos)	Si el refrigerador está en el modo de sala de exposición, el enfriamiento estará apagado y se iluminará la palabra “Showroom” (Sala de exposición) en el panel de control. Para obtener más información, vea “Uso del (de los) control(es)”.

PROBLEMA	CAUSAS POSIBLES	SOLUCIONES
El motor parece funcionar excesivamente	Compresor y ventiladores de alto rendimiento	Los refrigeradores más grandes y eficaces funcionan a velocidades más bajas, con un ahorro más eficaz de energía.
	La temperatura ambiente o la temperatura exterior es elevada.	Es normal que el refrigerador funcione durante más tiempo bajo estas condiciones. Para un óptimo rendimiento, coloque el refrigerador en un ambiente interior con temperatura controlada. Vea “Requisitos de ubicación”.
	Se ha agregado recientemente una gran cantidad de alimentos calientes.	Los alimentos calientes harán que el refrigerador funcione por más tiempo hasta enfriar el aire a la temperatura deseada.
	Se abre(n) la(s) puerta(s) con demasiada frecuencia o por demasiado tiempo.	El aire caliente que entra en el refrigerador hace que éste funcione por más tiempo. Abra la puerta con menos frecuencia.
	Está entreabierta la puerta del refrigerador o el cajón del congelador.	Asegúrese de que el refrigerador esté nivelado. Vea “Cierre y alineamiento de las puertas”. Evite que los alimentos y los recipientes bloqueen la puerta.
	El control del refrigerador se ha fijado a una temperatura demasiado baja.	Regule el control del refrigerador hacia un ajuste menos frío hasta que la temperatura del mismo esté como se desea.
Las luces no funcionan	Está sucia, gastada o rajada la junta de la puerta o del cajón.	Limpie la junta o cámbiela. Las fugas en el sello de la puerta harán que el refrigerador funcione por más tiempo para mantener las temperaturas deseadas.
	Su refrigerador está equipado con luces LED que no necesitan ser reemplazadas.	Si hay suministro de corriente al refrigerador y las luces no se iluminan cuando se abre una puerta o un cajón, llame para solicitar servicio o asistencia.
	Se ha fijado la luz del despachador en OFF (Apagado)	En algunos modelos, la luz del despachador funcionará solamente cuando se presione una paleta del despachador. Si usted desea que la luz del despachador esté encendida continuamente, vea “Despachadores de agua y hielo”.
No está encendido/ No hay respuesta del control de temperatura de la despensa	Se han dejado las puertas abiertas por más de 10 minutos	Cierre las puertas y el cajón para que se reajusten y ábralos para reanudar la función indicada.
	El refrigerador está en el modo Cooling Off (Enfriamiento apagado)	Salga del modo Cooling Off (Enfriamiento apagado). Vea “Uso del (de los) control(es)”.
	No se ha completado con éxito el proceso de inicialización de los controles del refrigerador.	Desenchufe el refrigerador y espere 5 segundos. Enchufe el refrigerador y espere 30 segundos antes de abrir cualquiera de las puertas del refrigerador o de tocar el panel de control.

Ruido

Para escuchar los sonidos normales del refrigerador, vaya a la sección Asistencia con el producto/Preguntas que se hacen con frecuencia del sitio de internet de la marca y busque “sonidos normales”.

PROBLEMA	CAUSAS POSIBLES	SOLUCIONES
El refrigerador parece ser ruidoso A continuación se enumeran algunos sonidos normales con explicaciones.	El compresor de su nuevo refrigerador regula la temperatura con más eficacia, a la vez que usa menos energía y funciona silenciosamente. Debido a esta reducción en el ruido de funcionamiento, es posible que note ruidos extraños que son normales.	
El sonido del compresor dura más tiempo de lo que se esperaba	Compresor y ventiladores de alto rendimiento	Los refrigeradores más grandes y eficaces funcionan a velocidades más bajas, con un ahorro más eficaz de energía.
Pulsaciones/Runruneos	Los ventiladores/el compresor se ajustan para mejorar el rendimiento al máximo durante el funcionamiento normal del compresor	Esto es normal.
Estallido	Contracción/expansión de las paredes interiores, especialmente durante el enfriamiento inicial	Esto es normal.
Sonido sibilante/Goteos	Flujo de refrigerante o flujo de aceite en el compresor	Esto es normal.

PROBLEMA	CAUSAS POSIBLES	SOLUCIONES
Vibración	Es posible que el refrigerador no esté estable	Regule los tornillos niveladores y baje la pata niveladora con firmeza contra el piso. Vea “Cierre y alineamiento de las puertas”.
Traqueteo o golpeteo fuerte	Movimiento de las líneas de agua contra la carcasa del refrigerador o artículos colocados sobre la misma	Aleje el exceso de la línea de agua de la carcasa del refrigerador o sujete el exceso de tubería a la carcasa. Vea “Conexión del suministro de agua” o quite los artículos de la parte superior del refrigerador.
Chisporroteos	Agua goteando en el calentador durante el ciclo de descongelación	Esto es normal.
Agua corriendo/gorgoteos	Puede escucharse cuando el hielo se derrite durante el ciclo de descongelación y el agua corre hacia la bandeja recolectora	Esto es normal.
Zumbido y chasquidos	Se escuchan cuando la válvula de agua se abre y se cierra para despachar agua y/o llenar la fábrica de hielo	Si el refrigerador está conectado a una tubería de agua, esto es normal. Si el refrigerador no está conectado a una tubería de agua, APAGUE la fábrica de hielo.
Chasquido repetitivo	Válvula dual del evaporador que está regulando el funcionamiento del enfriamiento	Es posible que escuche sonidos repetitivos de chasquidos a medida que la unidad pasa de enfriar un compartimiento al otro. Este sonido es normal.
Chirridos/Crujidos/Molido	Pueden escucharse cuando el hielo es expulsado del molde de la fábrica de hielo	Esto es normal.
Golpe fuerte	Puede escucharse cuando el hielo cae en el depósito de hielo	Esto es normal.

Temperatura y humedad

PROBLEMA	CAUSAS POSIBLES	SOLUCIONES
La temperatura está demasiado elevada	El refrigerador se ha instalado recientemente.	Deje transcurrir 24 horas después de la instalación para que el refrigerador se enfríe por completo.
	Está apagado el enfriamiento.	Encienda el enfriamiento. Vea “Uso del (de los) control(es)”.
	No se han ajustado los controles correctamente de acuerdo con las condiciones circundantes.	Ajuste los controles un ajuste más frío. Fíjese en la temperatura en 24 horas. Vea “Uso del (de los) control(es)”.
	Se abre(n) la(s) puerta(s) a menudo o no se cierra(n) por completo.	Esto hace que entre aire tibio al refrigerador. Reduzca al mínimo el número de veces que abre la puerta y mantenga las puertas completamente cerradas.
	Se ha agregado recientemente una gran cantidad de alimentos.	Deje que transcurran varias horas para que el refrigerador vuelva a la temperatura normal.
La temperatura está demasiado baja en el refrigerador/cajón para verduras	Están bloqueados los orificios de aire del refrigerador.	Si el orificio de ventilación, ubicado en la esquina superior posterior izquierda del compartimiento del refrigerador, está obstruido con artículos colocados directamente en frente del mismo, la temperatura del refrigerador se pondrá demasiado baja. Aleje los artículos del orificio de ventilación de aire.
	No se han ajustado los controles correctamente de acuerdo con las condiciones circundantes.	Ajuste los controles en un ajuste más caliente. Fíjese en la temperatura en 24 horas. Vea “Uso del (de los) control(es)”.
	El depósito de hielo no está en la posición correcta.	Vea “Fábrica de hielo y depósito”.
La temperatura está demasiado baja en los cajones-despensa	El control no se ha fijado correctamente para los artículos guardados en el cajón.	Regule el ajuste de temperatura. Vea “Cajón con temperatura controlada” en la sección “Características del refrigerador”.

PROBLEMA	CAUSAS POSIBLES	SOLUCIONES
Hay acumulación de humedad en el interior NOTA: Cierta acumulación de humedad es normal.	La habitación está húmeda	Un ambiente húmedo contribuye a que se acumule la humedad.
	Se abre(n) la(s) puerta(s) a menudo o no se cierra(n) por completo.	Esto hace que entre aire húmedo al refrigerador. Reduzca al mínimo las veces que abre la puerta y cierre las puertas por completo.
	La puerta queda abierta debido a un bloqueo	Aleje los paquetes de alimentos de la puerta.
	Hay un recipiente o un estante bloqueando el paso	Empuje el recipiente o el estante nuevamente a la posición correcta.
	Se está guardando líquido en recipientes abiertos	Esto agrega humedad al interior del refrigerador. Mantenga todos los recipientes bien cerrados.
Hay acumulación de escarcha/hielo en el compartimiento del congelador	Se abre el cajón a menudo o se deja abierto	Reduzca al mínimo las veces que abre el cajón y ciérralo por completo después de usarlo.
	Puerta mal sellada	Cerciórese de que los sellos de la puerta hagan contacto por completo con la carcasa del refrigerador, para permitir que se selle por completo.
	Los controles de temperatura no están fijados correctamente	Consulte "Uso del (de los) control(es)" para ver los ajustes recomendados de temperatura.

Hielo y agua

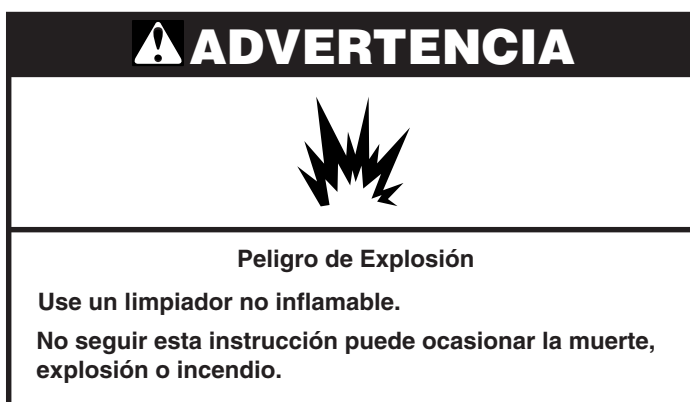
PROBLEMA	CAUSAS POSIBLES	SOLUCIONES
La fábrica de hielo no produce hielo o no produce suficiente hielo	No se ha conectado el refrigerador a un suministro de agua o no se ha abierto la válvula de suministro de agua.	Conecte el refrigerador al suministro de agua y abra completamente la válvula de cierre.
	Hay un estrechamiento en la tubería de agua de la casa.	Un estrechamiento en la tubería puede reducir el flujo de agua. Enderece la tubería de suministro de agua.
	No se ha encendido la fábrica de hielo.	Asegúrese de que la fábrica de hielo esté encendida. Vea "Fábrica de hielo y depósito de hielo".
	El refrigerador se ha instalado recientemente.	Espere 24 horas después de la instalación de la fábrica de hielo para que empiece a producir hielo. Deje transcurrir 3 días para la producción total de hielo.
	La puerta del refrigerador no está cerrada por completo.	Cierre la puerta con firmeza. Si no se cierra completamente, vea "Las puertas no cierran completamente".
	Se acaba de sacar una gran cantidad de hielo.	Deje transcurrir suficiente tiempo para que la fábrica de hielo produzca más hielo. Consulte "Fábrica de hielo y depósito de hielo" para ver los ritmos de producción de hielo.
	Se trabó un cubo de hielo en el brazo eyector de la fábrica de hielo.	Saque el hielo del brazo eyector con un utensilio de plástico.
	Hay un filtro de agua instalado en el refrigerador.	Saque el filtro de agua y ponga a funcionar la fábrica de hielo. Si el volumen de agua aumenta, el filtro puede estar obstruido o haberse instalado incorrectamente. Reemplace el filtro o vuelva a instalarlo correctamente.
	Se ha conectado un sistema de filtración de agua de ósmosis inversa al suministro de agua fría.	Esto puede hacer que disminuya la presión de agua. Vea "Requisitos del suministro de agua".

PROBLEMA	CAUSAS POSIBLES	SOLUCIONES
Los cubos de hielo son huecos o pequeños NOTA: Esto es una indicación de baja presión de agua.	La válvula de cierre de agua no está abierta por completo.	Abra completamente la válvula de cierre de agua.
	Hay un estrechamiento en la tubería de agua de la casa.	Un estrechamiento en la tubería puede reducir el flujo de agua. Enderece la tubería de suministro de agua.
	Hay un filtro de agua instalado en el refrigerador.	Saque el filtro y ponga a funcionar la fábrica de hielo. Si mejora la calidad de hielo, el filtro puede estar obstruido o haberse instalado incorrectamente. Reemplace el filtro o vuelva a instalarlo correctamente.
	Se ha conectado un sistema de filtración de agua de ósmosis inversa al suministro de agua fría.	Esto puede hacer que disminuya la presión de agua. Vea “Requisitos del suministro de agua”.
	Aún tiene preguntas acerca de la presión de agua.	Llame a un plomero competente autorizado.
El hielo o el agua tiene mal sabor, mal olor o un color grisáceo	Es necesario enjuagar el sistema de agua para un refrigerador que se haya instalado recientemente.	Enjuague el sistema de agua. Consulte “Despachadores de agua y hielo” para obtener instrucciones acerca de cómo enjuagar el sistema de agua.
	Se han instalado o reemplazado recientemente las conexiones de plomería. Las conexiones nuevas de plomería pueden producir hielo o agua descoloridos o de mal sabor.	Deseche el hielo y lave el depósito de hielo. Enjuague el sistema de agua con 3 gal (12 L) de agua. Deje que transcurran 24 horas para que la fábrica de hielo haga hielo nuevo y descarte las 3 primeras tandas de hielo producido.
	Se está usando un tipo de conexión de suministro de agua diferente de la recomendada.	Se recomienda usar tubería de cobre o una línea de suministro de Whirlpool, pieza número 8212547RP. Vea “Conexión a la línea de agua”.
	Se ha guardado el hielo por demasiado tiempo.	Deseche ese hielo. Lave el depósito de hielo. Deje transcurrir 24 horas para que la fábrica de hielo haga hielo nuevo.
	Se ha guardado el agua por demasiado tiempo.	Despache por lo menos 1 qt (1 L) de agua por semana para mantener un suministro fresco.
	Se ha transferido al hielo el olor de los alimentos guardados.	Use recipientes herméticos contra humedad para almacenar comida.
	El agua contiene minerales (como el azufre).	Podría ser necesario instalar un filtro de agua para eliminar los minerales.
	Hay un filtro de agua instalado en el refrigerador.	Un descoloramiento oscuro o un color gris del hielo pueden indicar que el sistema de filtrado de agua necesita enjuagarse más. Enjuague el sistema de agua después de la instalación y antes de usar un nuevo filtro de agua. Consulte “Despachadores de agua y hielo” para ver las instrucciones para enjuagar el filtro de agua.
	El filtro de agua debe ser reemplazado.	Reemplace el filtro de agua desechable por lo menos cada 6 meses o cuando se indique. Vea “Sistema de filtración de agua”.

PROBLEMA	CAUSAS POSIBLES	SOLUCIONES
El despachador de agua y hielo no funciona debidamente	No se ha conectado el refrigerador a un suministro de agua o no se ha abierto la válvula de suministro de agua.	Conecte el refrigerador al suministro de agua y abra completamente la válvula de cierre de agua.
	Hay un estrechamiento en la tubería de agua de la casa	Un estrechamiento en la tubería puede reducir el flujo de agua del despachador y hacer que el hielo quede hueco o tenga una forma irregular. Enderece la tubería de suministro de agua.
	El refrigerador se ha instalado recientemente.	Enjuague y llene el sistema de agua. Vea “Despachadores de agua y hielo”.
	La presión de agua a la casa no está al mínimo de 35 lb/pulg ² (241 kPa).	La presión de agua a la casa determina el flujo del despachador. Vea “Requisitos del suministro de agua”.
	Se ha conectado un sistema de filtración de agua de ósmosis inversa al suministro de agua fría.	Un sistema de filtración de agua por ósmosis inversa puede disminuir la presión de agua. Vea “Requisitos del suministro de agua”.
	Es posible que el filtro de agua esté bloqueado.	Saque el filtro de agua y ponga a funcionar el despachador. Si aumenta el flujo de agua, el filtro está obstruido y debe ser reemplazado. Vea “Sistema de filtración de agua”.
	Se ha instalado incorrectamente el filtro de agua.	Saque el filtro de agua y vuelva a instalarlo. Vea “Sistema de filtración de agua”.
	La puerta del refrigerador o del congelador no está cerrada por completo.	Cierre la puerta o el cajón con firmeza. Si no se cierra completamente, vea “Las puertas no cierran completamente”.
	Se han quitado recientemente las puertas del refrigerador.	Asegúrese de que el conjunto de tubería/alambre del despachador de agua se haya vuelto a conectar como es debido en la parte superior de la puerta del refrigerador. Vea “Puertas y cajón del refrigerador”.
Se ha atascado el hielo en el depósito de hielo o el mismo está bloqueando el conducto de salida de hielo.	Quite el hielo que esté atascado en el depósito y el conducto para hielo con un utensilio de plástico si es necesario. Limpie el conducto de salida de hielo y la base del depósito de hielo con un paño humedecido con agua tibia; luego seque ambos meticulosamente. Para evitar que se atasquen y mantener un suministro fresco de hielo, vacíe el depósito y limpie el depósito y el conducto de salida cada 2 semanas.	
El despachador de hielo se atasca mientras vierte el hielo picado	El hielo triturado está bloqueando el conducto de salida de hielo.	Cambie de hielo triturado a hielo en cubos para despejar el depósito de hielo. Después cambie nuevamente a hielo picado.
Hay fugas de agua o goteos en el sistema del despachador NOTA: Es normal que caigan unas pocas gotas de agua después de servir agua.	No se ha puesto el vaso debajo del despachador el tiempo suficiente.	Sostenga el vaso debajo del despachador por 2 a 3 segundos después de soltar la palanca del despachador.
Continúan saliendo gotas de agua del despachador después de las primeras gotas.	El refrigerador se ha instalado recientemente.	Si se enjuaga el sistema de agua, se saldrá el aire de las líneas, causante de que el agua se gotee. Enjuague el sistema de agua. Vea “Despachadores de agua y hielo”.
	Se ha instalado o reemplazado recientemente el filtro de agua.	Si se enjuaga el sistema de agua, se saldrá el aire de las líneas, causante de que el agua se gotee. Enjuague el sistema de agua. Vea “Despachadores de agua y hielo”.
Hay fugas de agua de la parte trasera del refrigerador	Las conexiones de la línea de agua no se ajustaron por completo.	Vea “Conexión del suministro de agua”.
	Se sacaron las puertas recientemente y no se ajustó por completo la conexión de la línea de agua	Vea “Puertas y cajón del refrigerador”.

PROBLEMA	CAUSAS POSIBLES	SOLUCIONES
El agua del despachador está tibia	El agua del despachador se enfría a 50 °F (10 °C).	Esto es normal.
	El refrigerador se ha instalado recientemente.	Deje transcurrir 24 horas después de la instalación para que el suministro de agua se enfríe completamente.
	Se acaba de sacar una gran cantidad de agua.	Deje transcurrir 3 horas para que el agua se enfríe completamente.
	No se ha usado el despachador de agua recientemente.	Puede ser que el primer vaso de agua no esté frío. Descarte el agua del primer vaso.
	El refrigerador no está conectado a una tubería de agua fría.	Asegúrese de que el refrigerador esté conectado a una tubería de agua fría. Vea "Requisitos del suministro de agua".

Puertas



Para ver una animación que le muestre cómo regular y alinear las puertas, consulte la sección Asistencia con el producto/Preguntas que se hacen con frecuencia del sitio de internet de la marca y busque "cierre y alineamiento de las puertas".

PROBLEMA	CAUSAS POSIBLES	SOLUCIONES
Las puertas no cierran completamente	La puerta queda abierta debido a un bloqueo.	Aleje los paquetes de alimentos de la puerta.
	Hay un recipiente o un estante bloqueando el paso.	Empuje el recipiente o el estante nuevamente a la posición correcta.
	Instalación reciente	Quite todos los materiales de empaque.
Es difícil abrir las puertas	Las juntas de la puerta están sucias o pegajosas.	Limpie las juntas y las superficies de contacto con jabón suave y agua tibia. Enjuague y seque con un paño suave.
Las puertas parecen estar desparejas	Se debe alinear las puertas o nivelarse el refrigerador.	Vea "Nivelación del refrigerador, cierre y alineamiento de las puertas".
El refrigerador está inestable o rueda hacia adelante cuando se abren y se cierran las puertas	Las patas con freno del refrigerador no están ajustadas contra el piso.	Quite la rejilla de la base. Gire hacia la derecha ambas patas con freno (una a cada lado) la misma cantidad de veces, hasta que queden ajustadas contra el piso. Vea "Nivelación del refrigerador, cierre y alineamiento de las puertas".

HOJA DE DATOS DEL RENDIMIENTO

Sistema de filtración de agua Modelo P6WB2L/P6RFWB2 Capacidad de 200 galones (757 litros) Modelo P6WB2NL/P6RFWB2 Capacidad de 200 galones (757 litros)



Sistema comprobado y certificado por NSF International, según la norma 42 NSF/ANSI para la reducción de cloro, sabor y olor, y clase de partículas I*; y según la norma 53 NSF/ANSI para la reducción de quistes vivos, asbestos, plomo, lindano, toxafeno, atrazina, y 2,4 - D.

Este sistema ha sido comprobado según las normas 42 y 53 NSF/ANSI para la reducción de las sustancias citadas a continuación. La concentración de las sustancias indicadas en agua entrando al sistema fue reducida a una concentración menor o igual al límite permitido para agua saliendo del sistema, tal como se especifica en las normas 42 y 53 NSF/ANSI.

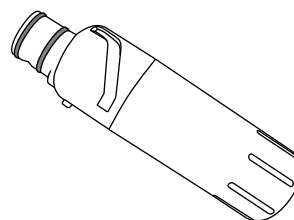
Reducción de sustancias Efectos estéticos	Requisitos de reducción de NSF	Promedio influente	Concentración en el agua a tratar	Máximo efluente	% Mínimo reducción	% Promedio reducción
Cloro, sabor/olor Clase de partículas I*	50% reducción 85% reducción	2,0 mg/L 7.300.000 #/mL	2,0 mg/L ± 10% Por lo menos 10.000 partículas/mL	0,20 mg/L 75.000 #/mL**	97 99	97,2 99,4
Reducción de contaminantes	Requisitos de reducción de NSF	Promedio influente	Concentración en el agua a tratar	Máximo efluente	% Mínimo reducción	% Promedio reducción
Quistes vivos†	99,95%	160.000/L	50.000/L min.	54/L†	99,97	99,99
Asbestos	99%	87 MFL	10 ⁷ a 10 ⁸ fibras/L††	0,17 MFL	99	99
Plomo: @ pH 6,5 Plomo: @ pH 8,5	0,010 mg/L 0,010 mg/L	0,160 mg/L 0,140 mg/L	0,15 mg/L ± 10% 0,15 mg/L ± 10%	0,001 mg/L 0,005 mg/L	99,4 98,6	99,4 98,6
Lindano	0,0002 mg/L	0,0019 mg/L	0,002 mg/L ± 10%	0,00002 mg/L	98,9	99
Toxafeno	0,003 mg/L	0,014 mg/L	0,015 mg/L ± 10%	0,001 mg/L	93	93
Atrazina	0,003 mg/L	0,0094 mg/L	0,009 mg/L ± 10%	0,0005 mg/L	94,5	94,7
2,4 - D	0,07 mg/L	0,220 mg/L	0,210 mg/L ± 10%	0,028 mg/L	87,5	96,1

Parámetros de la prueba: pH = 7,5 ± 0,5 si no se indica lo contrario. Flujo = 0,43 gpm (1,6 Lpm). Presión = 60 lbs/pulg² (413,7 kPa). Temp. = 68°F a 71,6°F (20°C a 22°C). Capacidad nominal de servicio = 200 galones (757 litros).

- Es importante que los requerimientos de operación, mantenimiento y reemplazo del filtro se lleven a cabo para que el producto se desempeñe tal como se ofrece en la publicidad. Pueden ocurrir daños a la propiedad si no se siguen todas las instrucciones.
- Use el filtro de repuesto P6RFWB2, pieza N° W10413645A. El precio sugerido de venta al por menor durante el año 2012 es de \$39,99 en EE.UU./\$49,99 en Canadá. Los precios están sujetos a cambio sin previo aviso.
- **Estilo 1** – Cuando la frase Order Filter (Pedir filtro) se ilumine de color amarillo, pida un nuevo filtro. Cuando la frase Replace Filter (Reemplazar filtro) se ilumine de rojo, se le recomienda reemplazar el filtro.
- **Estilo 2** – Presione OPTIONS (Opciones) y seleccione Filter Status (Estado del filtro) para revisar el estado del filtro de agua. Cuando el estado del filtro muestre que queda 10 %, pida un nuevo filtro. Cuando el estado del filtro muestre que queda 0 %, se le recomienda reemplazar el filtro.
- **Estilo 3** – Presione FILTER STATUS (Estado del filtro) para controlar el estado del filtro de agua. Cuando el estado del filtro muestre que queda 10 %, pida un nuevo filtro. Cuando el estado del filtro muestre que queda 0 %, se le recomienda reemplazar el filtro.
- Después de cambiar el filtro de agua, enjuague el sistema de agua. Vea “Despachadores de agua y hielo” o “Despachador de agua”.
- Estos contaminantes no se encuentran necesariamente en su suministro de agua. Si bien se realizaron las pruebas bajo condiciones de laboratorio estándares, el desempeño real puede variar.
- El producto es para uso con agua fría únicamente.
- El sistema de agua deberá instalarse conforme a las leyes y normas estatales y locales.
- No use con agua que no sea microbiológicamente segura o que sea de calidad desconocida sin desinfectarla adecuadamente antes o después del sistema. Pueden usarse sistemas certificados para la reducción de quistes en aguas desinfectadas que puedan contener quistes filtrables.
- Refiérase a la sección “Garantía” para obtener el nombre, dirección y número telefónico del fabricante.
- Refiérase a la sección “Garantía” para verificar la garantía limitada del fabricante.

Pautas de aplicación / Parámetros para el suministro de agua

Suministro de agua	Municipal o de pozo
Presión del agua	30 - 120 lbs/pulg ² (207 - 827 kPa)
Temperatura del agua	33° - 100°F (0,6° - 37,8°C)
Flujo nominal de servicio	0,43 gpm (1,6 Lpm) @ 60 lbs/pulg ²



*Tamaño de las partículas clase I: >0,5 a <1 um

**El requisito de prueba es de cuando menos 100.000 partículas/ml de Polvo Fino de prueba AC.

†Basado en la filtración de quistes de *Cryptosporidium parvum*

††Fibras mayores de 10 um de longitud

GARANTÍA LIMITADA DE LOS PRODUCTOS DE REFRIGERACIÓN MAYTAG®

GARANTÍA LIMITADA DURANTE EL PRIMER AÑO (PIEZAS Y MANO DE OBRA)

Durante un año a partir de la fecha de compra, siempre y cuando este electrodoméstico principal haya sido instalado, operado y mantenido de conformidad con las instrucciones adjuntas o provistas con el producto, la marca Maytag de Whirlpool Corporation o Whirlpool Canada, LP (en lo sucesivo denominada "Maytag") pagará por el costo de las piezas de repuesto especificadas de fábrica y del trabajo de reparación para corregir defectos en los materiales o en la mano de obra, existentes en el momento de la compra de este electrodoméstico principal.

GARANTÍA LIMITADA DEL SEGUNDO AL DÉCIMO AÑO (SÓLO PARA EL COMPRESOR - NO SE INCLUYE LA MANO DE OBRA)

Desde el segundo al décimo año desde la fecha de compra original, siempre y cuando este electrodoméstico principal haya sido instalado, operado y mantenido de conformidad con las instrucciones adjuntas o provistas con el producto, Maytag pagará por un compresor de repuesto especificado de fábrica para corregir defectos no estéticos en los materiales o en la mano de obra que tenga esta pieza, los cuales eviten el funcionamiento del refrigerador, y que hayan existido en el momento de la compra de este electrodoméstico principal. Esta garantía limitada de 10 años es solamente para el compresor y no incluye la mano de obra.

SU ÚNICO Y EXCLUSIVO RECURSO SEGÚN LOS TÉRMINOS DE LA GARANTÍA LIMITADA SERÁ EL DE REPARAR EL PRODUCTO SEGÚN SE ESTIPULA EN LA PRESENTE. El servicio deberá ser suministrado por una compañía de servicio designada por Maytag. Esta garantía limitada es válida en Estados Unidos o en Canadá y se aplica solamente cuando el electrodoméstico principal se use en el país en el que se ha comprado. Esta garantía limitada entrará en vigor a partir de la fecha de la compra del consumidor original. Se requiere una prueba de la fecha de compra original para obtener servicio bajo esta garantía limitada.

EXCLUSIONES DE LA GARANTÍA

Esta garantía limitada no cubre:

1. Piezas de repuesto o mano de obra si este electrodoméstico principal se usa de un modo diferente al doméstico normal de una familia, o cuando se use de un modo contrario a las instrucciones publicadas para el usuario u operador y/o las instrucciones de instalación.
2. Visitas de servicio técnico para corregir la instalación de su electrodoméstico principal, para enseñarle a usar su electrodoméstico principal, para cambiar o reparar fusibles domésticos o para corregir la instalación eléctrica o de la tubería de la casa.
3. Visitas de servicio técnico para reparar o reemplazar focos para electrodomésticos, filtros de aire o filtros de agua. Las piezas de consumo están excluidas de la cobertura de la garantía.
4. Daños causados por accidente, alteración, uso indebido, abuso, incendio, inundación, actos fortuitos, instalación incorrecta, instalación que no esté de acuerdo con los códigos eléctricos o de plomería, o el empleo de productos no aprobados por Maytag.
5. Daños estéticos, incluyendo rayaduras, abolladuras, desportilladuras u otro daño al acabado de su electrodoméstico principal, a menos que el mismo sea debido a defectos en los materiales o la mano de obra y se le informe a Maytag en un lapso de 30 días a partir de la fecha de compra.
6. Cualquier pérdida de comida o medicamentos debido a fallas del refrigerador o del congelador.
7. Recogida y entrega. Este electrodoméstico principal se ha destinado para ser reparado en el hogar.
8. Reparaciones de piezas o sistemas como resultado de modificaciones no autorizadas que se hayan efectuado en el electrodoméstico.
9. Gastos de viaje y transporte para obtener servicio para el producto, si su electrodoméstico principal está ubicado en un lugar remoto en el cual no haya disponible un técnico de servicio autorizado por Maytag.
10. La remoción y reinstalación de su electrodoméstico principal, si estuviera instalado en un lugar inaccesible o si no estuviera instalado de conformidad con las instrucciones de instalación publicadas por Maytag.
11. Piezas de repuesto o mano de obra en electrodomésticos principales con números de modelo/serie originales que se hayan removido, alterado o que no puedan ser identificados con facilidad.
12. Decoloración, herrumbre u oxidación de las superficies de acero inoxidable.

EXCLUSIÓN DE GARANTÍAS IMPLÍCITAS

LAS GARANTÍAS IMPLÍCITAS, INCLUYENDO CUALQUIER GARANTÍA IMPLÍCITA DE COMERCIABILIDAD O GARANTÍA IMPLÍCITA DE CAPACIDAD PARA UN PROPÓSITO PARTICULAR, SERÁN LIMITADAS A UN AÑO O AL PERÍODO MÁS CORTO PERMITIDO POR LEY. Algunos estados y provincias no permiten la limitación de la duración de garantías implícitas de comerciabilidad o aptitud, de modo que la limitación arriba indicada quizás no le corresponda. Esta garantía le otorga derechos legales específicos, y es posible que usted tenga también otros derechos que varían de un estado a otro o de una provincia a otra.

LIMITACIÓN DE RECURSOS; EXCLUSIÓN DE DAÑOS INCIDENTALES O CONSECUENTES

SU ÚNICO Y EXCLUSIVO RECURSO SEGÚN LOS TÉRMINOS DE ESTA GARANTÍA LIMITADA SERÁ EL DE REPARAR EL PRODUCTO SEGÚN SE ESTIPULA EN LA PRESENTE. MAYTAG NO SE RESPONSABILIZARÁ POR DAÑOS INCIDENTALES O CONSECUENTES. Algunos estados y provincias no permiten la exclusión o limitación de daños incidentales o consecuentes, de modo que estas limitaciones y exclusiones quizás no le correspondan. Esta garantía le otorga derechos legales específicos, y es posible que usted tenga también otros derechos que varían de un estado a otro o de una provincia a otra.

Si usted se encuentra fuera de los cincuenta Estados Unidos y Canadá, póngase en contacto con su distribuidor autorizado de Maytag para determinar si corresponde otra garantía.

Garantía



Réfrigérateur avec porte à double battant et congélateur en bas



Guide d'utilisation et d'entretien

www.maytag.com
U.S.: 1-800-688-9900

www.maytag.ca
Canada: 1-800-807-6777

TABLE DES MATIÈRES

Nous vous félicitons de votre achat et vous souhaitons la bienvenue dans la famille d'appareils de grande qualité de la marque Maytag. Votre nouveau réfrigérateur Maytag® avec porte à double battant associe technologie de refroidissement avancée et fonctionnement simple et haute efficacité.

SÉCURITÉ DU RÉFRIGÉRATEUR.....	78
Mise au rebut adéquate de votre vieux réfrigérateur.....	79
PIÈCES ET CARACTÉRISTIQUES	79
Quoi de neuf en coulisse?.....	80
INSTRUCTIONS D'INSTALLATION.....	80
Déballage du réfrigérateur.....	80
- Dépose des matériaux d'emballage.....	80
- Nettoyage avant l'utilisation.....	81
Exigences d'emplacement.....	81
Retrait et réinstallation des portes du réfrigérateur.....	82
- Retrait de la porte de droite du réfrigérateur.....	83
- Retrait de la porte de gauche du réfrigérateur.....	83
- Réinstallation de la porte de droite du réfrigérateur.....	84
- Réinstallation de la porte de gauche du réfrigérateur.....	84
- Étapes finales.....	84
Retrait et réinstallation de l'avant du tiroir de congélation.....	85
- Retrait de l'avant du tiroir.....	85
- Réinstallation de l'avant du tiroir.....	85
- Étapes finales.....	85
Spécifications électriques.....	86
Spécifications de l'alimentation en eau.....	86
Raccordement à la canalisation d'eau.....	86
- Raccordement à la canalisation d'eau.....	87
- Raccordement au réfrigérateur.....	87
- Achever l'installation.....	88
Installation et démontage des poignées.....	88
- Installation des poignées.....	88
- Démontage des poignées.....	89
Mise à niveau du réfrigérateur, fermeture et alignement des portes.....	89
FILTRES ET ACCESSOIRES.....	91
Système de filtration de l'eau.....	91
- Installation du filtre à eau.....	91
- Témoin lumineux du filtre à eau.....	91
- Remplacement du filtre à eau.....	92
Installation du filtre à air.....	92
- Installation du filtre à air.....	92
- Installation du témoin de statut de filtre.....	92
- Remplacement du filtre à air.....	93
Installation du conservateur pour produits frais.....	93
- Installation du conservateur pour produits frais.....	93
- Installation du témoin.....	94
- Remplacement du sachet de conservation pour produits frais.....	94
Accessoires.....	94
UTILISATION DU RÉFRIGÉRATEUR	95
Ouverture et fermeture des portes.....	95
Utilisation des commandes.....	95
- Visualisation et ajustement des points de réglage de température.....	95

Chaque appareil quittant notre usine est inspecté soigneusement pour s'assurer qu'il fonctionne correctement.

Lire les instructions d'installation de ce guide avant d'utiliser votre nouveau réfrigérateur. Comme tous les appareils ménagers, votre réfrigérateur nécessitera occasionnellement un entretien ou une réparation, mais vous pouvez contribuer à ce qu'il fonctionne avec fiabilité pendant de nombreuses années en suivant les instructions du présent guide.

- Mise en marche/arrêt du refroidissement.....	96
- Options.....	97
- Caractéristiques supplémentaires.....	97
Distributeurs d'eau et de glaçons.....	98
- Rinçage du circuit d'eau.....	98
- Distributeur d'eau.....	98
- Distributeur à glaçons.....	98
- Distribution.....	98
- Lumière du distributeur.....	99
- Dispositif de verrouillage du distributeur.....	99
Machine à glaçons et bac d'entreposage à glaçons.....	100
- Taux de production des glaçons.....	100
- Style 1 – Machine à glaçons dans le réfrigérateur.....	100
- Style 2 – Machine à glaçons dans le congélateur.....	101
CARACTÉRISTIQUES DU RÉFRIGÉRATEUR	101
Tablettes du réfrigérateur.....	101
- Tablettes et cadres de tablettes.....	101
Bac à légumes et couvercle du bac à légumes.....	102
Commande d'humidité dans le bac à légumes.....	102
Tiroir à température contrôlée.....	102
- Style 1 - Commande électronique.....	102
- Style 2 - Commande manuelle.....	103
- Dépose et réinstallation du tiroir.....	103
- Cloison de tiroir.....	103
- Guide d'entreposage des viandes.....	103
CARACTÉRISTIQUES DE LA PORTE	103
Balconnets de porte.....	103
CARACTÉRISTIQUES DU CONGÉLATEUR	104
Espace à pizza et cloison de tiroir.....	104
ENTRETIEN DU RÉFRIGÉRATEUR.....	104
Nettoyage.....	104
- Nettoyage des surfaces externes.....	104
- Nettoyage de l'intérieur.....	105
- Nettoyage du condensateur.....	105
Lampes.....	105
Entretien avant les vacances ou lors d'un déménagement.....	106
- Vacances.....	106
- Déménagement.....	106
DÉPANNAGE	107
Fonctionnement.....	107
Bruits.....	108
Température et humidité.....	109
Glaçons et eau.....	110
Portes.....	113
FEUILLE DE DONNÉES SUR LA PERFORMANCE.....	114
GARANTIE	115
NUMÉROS DE SERVICE	COUVERTURE ARRIÈRE

SÉCURITÉ DU RÉFRIGÉRATEUR

Votre sécurité et celle des autres est très importante.

Nous donnons de nombreux messages de sécurité importants dans ce manuel et sur votre appareil ménager. Assurez-vous de toujours lire tous les messages de sécurité et de vous y conformer.



Voici le symbole d'alerte de sécurité.

Ce symbole d'alerte de sécurité vous signale les dangers potentiels de décès et de blessures graves à vous et à d'autres.

Tous les messages de sécurité suivront le symbole d'alerte de sécurité et le mot "DANGER" ou "AVERTISSEMENT". Ces mots signifient :

⚠ DANGER

Risque possible de décès ou de blessure grave si vous ne suivez pas immédiatement les instructions.

⚠ AVERTISSEMENT

Risque possible de décès ou de blessure grave si vous ne suivez pas les instructions.

Tous les messages de sécurité vous diront quel est le danger potentiel et vous disent comment réduire le risque de blessure et ce qui peut se produire en cas de non-respect des instructions.

IMPORTANTES INSTRUCTIONS DE SÉCURITÉ

AVERTISSEMENT : Pour réduire les risques d'incendie, de choc électrique ou des blessures lors de l'utilisation du réfrigérateur, prendre quelques précautions fondamentales, y compris les suivantes :

- Brancher l'appareil sur une prise à 3 alvéoles reliée à la terre.
- Ne pas enlever la broche de liaison à la terre.
- Ne pas utiliser un adaptateur.
- Ne pas utiliser un câble de rallonge.
- Débrancher la source de courant électrique avant l'entretien.
- Replacer pièces et panneaux avant de faire la remise en marche.
- Enlever les portes de votre vieux réfrigérateur.
- Utiliser un produit de nettoyage ininflammable.
- Garder les matériaux et les vapeurs inflammables, telle que l'essence, loin du réfrigérateur.
- Utiliser deux ou plus de personnes pour déplacer et installer le réfrigérateur.
- Débrancher le réfrigérateur avant l'installation de la machine à glaçons (seulement pour modèles prêts à recevoir une machine à glaçons).
- Utiliser un verre robuste pour prendre des glaçons (sur certains modèles).
- Ne pas heurter les portes en verre du réfrigérateur (sur certains modèles).

CONSERVEZ CES INSTRUCTIONS

Avertissements de la proposition 65 de l'État de Californie :

AVERTISSEMENT : Ce produit contient au moins un produit chimique connu par l'État de Californie pour être à l'origine de cancers.

AVERTISSEMENT : Ce produit contient au moins un produit chimique connu par l'État de Californie pour être à l'origine de malformations et autres déficiences de naissance.

Mise au rebut adéquate de votre vieux réfrigérateur

⚠ AVERTISSEMENT

Risque de suffoquer

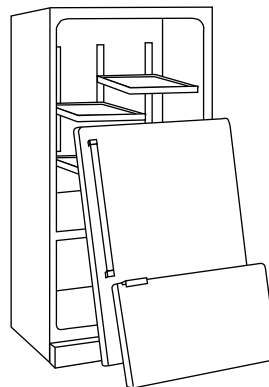
Enlever les portes de votre vieux réfrigérateur.

Le non-respect de cette instruction peut causer un décès ou des lésions cérébrales.

IMPORTANT : L'emprisonnement et l'étouffement des enfants ne sont pas un problème du passé. Les réfrigérateurs jetés ou abandonnés sont encore dangereux, même s'ils sont laissés abandonnés pendant "quelques jours seulement". Si vous vous débarrassez de votre vieux réfrigérateur, veuillez suivre les instructions suivantes pour aider à éviter les accidents.

Avant de jeter votre vieux réfrigérateur ou congélateur :

- Enlever les portes.
- Laisser les tablettes en place de sorte que les enfants ne puissent pas y pénétrer facilement.



Renseignements importants à propos de la mise au rebut des fluides réfrigérants :

Mettre le réfrigérateur au rebut conformément à la réglementation fédérale et locale. Les fluides réfrigérants doivent être évacués par un technicien certifié et agréé par l'EPA conformément aux procédures établies.

PIÈCES ET CARACTÉRISTIQUES



- A. Machine à glaçons
- B. Filtre à air
- C. Filtre à eau
- D. Balconnets de porte
- E. Bacs
- F. Garde-manger
- G. Tiroir du congélateur
- H. Rampe d'éclairage DEL
- I. Système de distribution de glace In-Door-Ice®

Quoi de neuf en coulisse?

Votre réfrigérateur Maytag® avec porte à double battant est équipé de plusieurs caractéristiques innovantes concernant l'entreposage et le niveau éconergique.

Consommation d'énergie et bruits de fonctionnement normaux

Votre nouveau réfrigérateur avec porte à double battant et congélateur en bas est conçu pour un niveau éconergique optimal et une régulation de la température plus efficace afin de pallier aux besoins de refroidissement. Vous remarquerez peut-être qu'il fonctionne différemment de votre réfrigérateur précédent. Il est normal que le compresseur haute efficacité fonctionne à vitesse variable pendant une durée prolongée afin de consommer uniquement le niveau d'énergie nécessaire à une efficacité maximale. D'autre part, au cours de différentes étapes du programme de refroidissement, vous entendrez peut-être des bruits de fonctionnement normaux qui ne vous sont pas familiers.

Plus d'espace de rangement

Le réfrigérateur avec congélateur en bas et porte à double battant présente l'espace de rangement alimentaire le plus vaste. Il comporte aussi un garde-manger pleine largeur à température contrôlée, idéal pour ranger les plateaux de légumes ou les plateaux de fête.

Système de distribution de glace In-Door-Ice®

Le bac d'entreposage à glaçons dans la porte offre tout un espace de rangement supplémentaire. Le bac d'entreposage à glaçons est également amovible pour un accès facile à la glace filtrée.

Évaporateur double (sur certains modèles)

Les compartiments du réfrigérateur et du congélateur comportent des évaporateurs distincts pour que les aliments frais et congelés restent dans deux environnements de conservation distincts. Le réfrigérateur reste froid et humide pour que les aliments frais soient conservés dans des conditions optimales tandis que le congélateur reste froid et sec. L'humidité du réfrigérateur ne se mélange jamais à l'air sec du congélateur de façon à contrôler le givre et réduire ainsi le risque de brûlure par le froid. L'air du réfrigérateur ne se mêlant pas à celui du congélateur, le goût et l'odeur des aliments du réfrigérateur ne se transfèrent pas au congélateur.

Filtre à eau

Le filtre certifié NSF® réduit le goût et l'odeur du chlore et la concentration des particules de classe I, du plomb et du mercure. En remplaçant le filtre à eau tous les 6 mois, vous êtes certain d'obtenir une eau potable filtrée et pure.

Filtre à air

Un filtre à air est 15 fois plus puissant que le bicarbonate de soude pour réduire les odeurs alimentaires régulières à l'intérieur du réfrigérateur.

Conservateur de produits frais (sur certains modèles)

L'éthylène est un gaz naturel produit par les fruits et les légumes pour favoriser le processus de maturation. Le conservateur pour produits frais absorbe l'éthylène, permettant ainsi un ralentissement du processus de maturation des produits frais. Ainsi, la fraîcheur de certains produits frais est prolongée.

Éclairage DEL

Les témoins DEL n'auront jamais besoin d'être remplacés.

Door Alarm (alarme de la porte)

Une alarme retentit lorsque la porte du réfrigérateur ou du tiroir du congélateur est laissée ouverte.

Témoin de coupure de courant (sur certains modèles)

Si le courant est interrompu alors que vous êtes loin de votre domicile, ce témoin vous avertit du fait que l'alimentation électrique du réfrigérateur a été interrompue.

INSTRUCTIONS D'INSTALLATION

Déballage du réfrigérateur

⚠ AVERTISSEMENT

Risque du poids excessif

Utiliser deux ou plus de personnes pour déplacer et installer le réfrigérateur.

Le non-respect de cette instruction peut causer une blessure au dos ou d'autre blessure.

Dépose des matériaux d'emballage

- Enlever tout résidu de ruban adhésif et de colle des surfaces du réfrigérateur avant de le mettre en marche. Frotter une petite quantité de savon liquide pour la vaisselle sur l'adhésif avec les doigts. Rincer à l'eau tiède et essuyer.
- Ne pas utiliser d'instruments coupants, d'alcool à friction, de liquides inflammables ou de nettoyants abrasifs pour enlever le ruban adhésif ou la colle. Ces produits peuvent endommager la surface de votre réfrigérateur. Pour plus de renseignements, voir "Sécurité du réfrigérateur".
- Jeter ou recycler tous les matériaux d'emballage.

Déplacement de votre réfrigérateur :

Votre réfrigérateur est lourd. Lors du déplacement de votre réfrigérateur pour le nettoyage ou un entretien ou réparation, veiller à recouvrir le plancher avec du carton ou un panneau de fibres dures pour éviter qu'il ne subisse tout dommage. Toujours tirer le réfrigérateur tout droit lors de son déplacement. Ne pas incliner le réfrigérateur d'un côté ou de l'autre ni le "faire marcher" en essayant de le déplacer car le plancher pourrait être endommagé.

Nettoyage avant l'utilisation

Après avoir enlevé tous les matériaux d'emballage, nettoyer l'intérieur du réfrigérateur avant de l'utiliser. Voir les instructions de nettoyage dans "Entretien du réfrigérateur".

Importants renseignements à savoir au sujet des tablettes et des couvercles en verre :

Ne pas nettoyer les tablettes ou couvercles en verre avec de l'eau tiède quand ils sont froids. Les tablettes et les couvercles peuvent se briser s'ils sont exposés à des changements soudains de température ou à un impact tel que coup brusque. Le verre trempé est conçu pour éclater en d'innombrables pièces minuscules. Ceci est normal. Les tablettes et les couvercles en verre sont lourds. Les saisir à deux mains lors de leur dépose afin d'éviter de les faire tomber.

Exigences d'emplacement

⚠ AVERTISSEMENT



Risque d'explosion

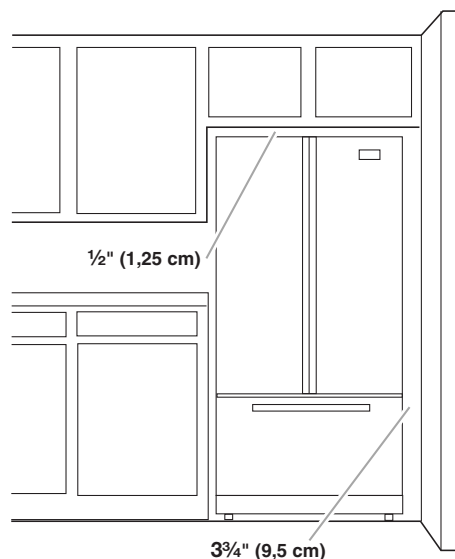
Garder les matériaux et les vapeurs inflammables, telle que l'essence, loin du réfrigérateur.

Le non-respect de cette instruction peut causer un décès, une explosion ou un incendie.

IMPORTANT : Ce réfrigérateur est conçu pour un usage domestique, à l'intérieur uniquement.

Pour assurer une ventilation convenable à votre réfrigérateur, laisser un espace de 1/2" (1,25 cm) au-dessus et de chaque côté du réfrigérateur. Laisser un espace de 1" (2,54 cm) derrière le réfrigérateur. Si votre réfrigérateur comporte une machine à glaçons, s'assurer qu'un espace additionnel est prévu à l'arrière pour permettre les connexions des conduites d'eau. En cas d'installation du réfrigérateur près d'un mur fixe, laisser un minimum de 3 3/4" (9,5 cm) entre le réfrigérateur et le mur pour permettre l'ouverture de la porte.

REMARQUE : Ce réfrigérateur est conçu pour être utilisé dans un endroit où la température est comprise entre un minimum de 55°F (13°C) et un maximum de 110°F (43°C). La plage de température ambiante idéale pour une performance optimale est comprise entre 60°F (15°C) et 90°F (32°C). Il est recommandé de ne pas installer le réfrigérateur près d'une quelconque source de chaleur, tel un four ou un radiateur.



Retrait et réinstallation des portes du réfrigérateur

REMARQUE : Mesurer la largeur de l'ouverture de la porte pour déterminer s'il faut retirer les portes du réfrigérateur pour pouvoir introduire le réfrigérateur dans le domicile. Si les portes doivent être retirées, voir les instructions suivantes.

IMPORTANT : Si le réfrigérateur était déjà installé et que vous souhaitez le déplacer hors de votre domicile, effectuez d'abord les opérations suivantes : tourner la commande du réfrigérateur sur OFF (arrêt). Débrancher le réfrigérateur ou déconnecter la source de courant électrique. Retirer les aliments et tout balconnet de porte (utilitaire ou réglable) du réfrigérateur.

Rassembler les outils nécessaires et lire toutes les instructions avant de retirer les portes.

OUTILLAGE REQUIS : Clé à tête hexagonale de $\frac{3}{16}$ " et un tournevis Phillips n° 2



⚠ AVERTISSEMENT

Risque de choc électrique

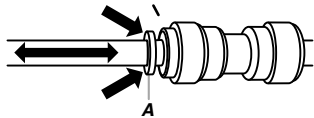
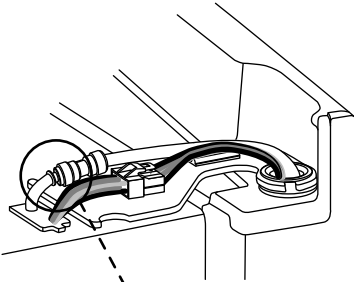
Déconnecter la source de courant électrique avant d'enlever les portes.

Le non-respect de cette instruction peut causer un décès ou un choc électrique.

Installation

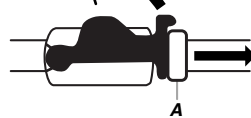
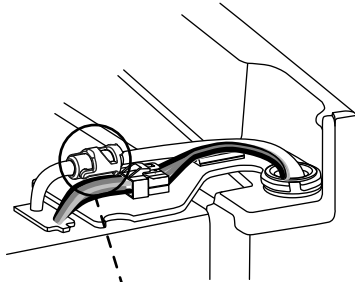
Retrait et réinstallation des portes

Style 1 – Distributeur d'eau Raccordement du tuyau



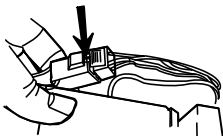
A. Bague externe

Style 2 – Distributeur d'eau Raccordement du tuyau

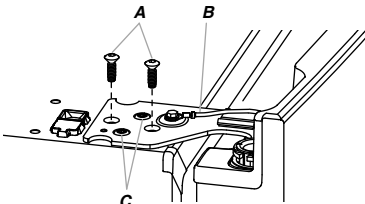


A. Bague externe

Fiche de câblage

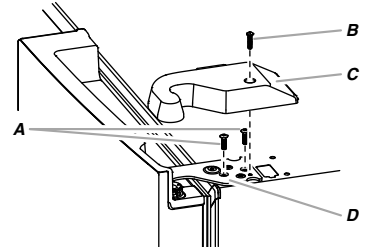


Charnière supérieure gauche

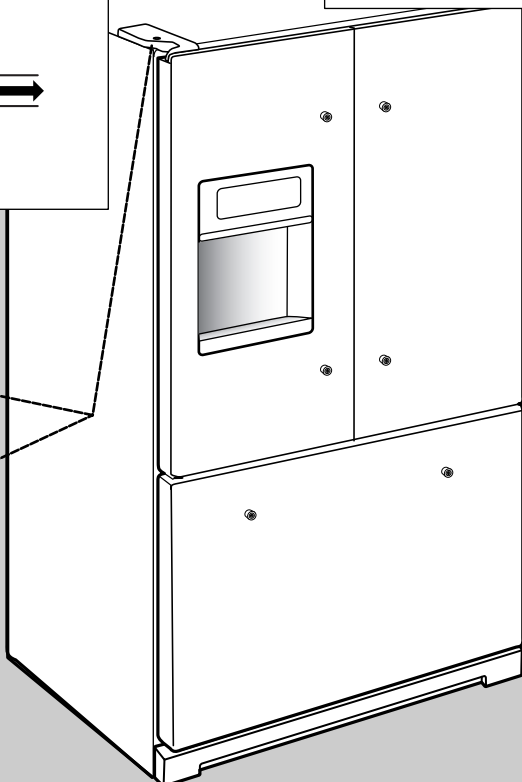


- A. Vis internes à tête hexagonale de $\frac{3}{16}$ "
- B. Conducteur de liaison à la terre (ne pas retirer)
- C. Ne pas retirer les vis

Charnière supérieure droite



- A. Vis internes à tête hexagonale de $\frac{3}{16}$ "
- B. Vis du couvre-charnière
- C. Couvre-charnière supérieur
- D. Charnière supérieure



Retrait de la porte de droite du réfrigérateur

⚠ AVERTISSEMENT



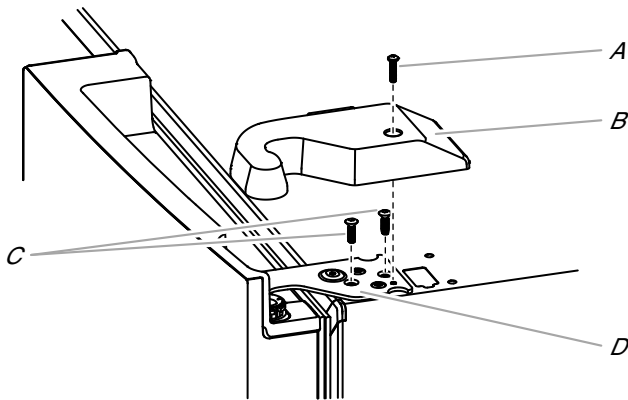
Risque de choc électrique

Déconnecter la source de courant électrique avant d'enlever les portes.

Le non-respect de cette instruction peut causer un décès ou un choc électrique.

1. Débrancher le réfrigérateur ou déconnecter la source de courant électrique.
2. Laisser les portes du réfrigérateur fermées jusqu'à ce vous soyez prêt à les détacher de la caisse.
REMARQUE : Prévoir un support supplémentaire pour la porte du réfrigérateur pendant le retrait des charnières. La force d'attraction des aimants de la porte ne suffit pas à la maintenir en place pendant la manutention.
3. À l'aide d'un tournevis Phillips, retirer le couvre-charnière de la charnière supérieure.
4. Utiliser la clé à tête hexagonale de $\frac{3}{16}$ " pour enlever les deux vis internes à tête hexagonale de la charnière supérieure et les mettre de côté.

REMARQUE : Ne pas retirer les deux vis de positionnement. Ces vis vous aideront à aligner la charnière lors de la réinstallation de la porte.



A. Vis du couvre-charnière supérieur

B. Couvre-charnière supérieur

C. Vis internes à tête hexagonale de $\frac{3}{16}$ "

D. Charnière supérieure

⚠ AVERTISSEMENT

Risque du poids excessif

Utiliser deux ou plus de personnes pour soulever la porte du réfrigérateur.

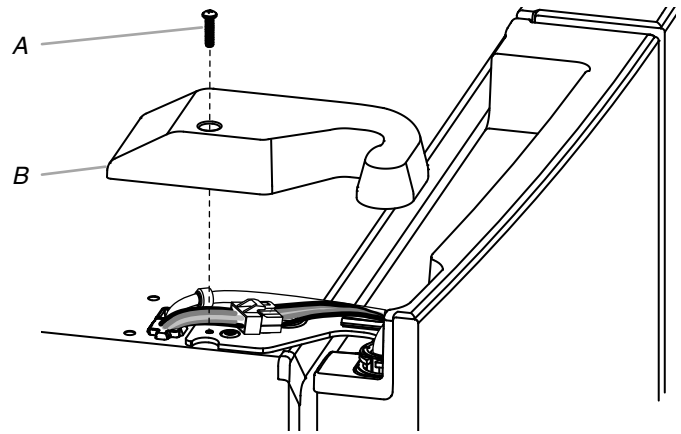
Le non-respect de cette instruction peut causer une blessure au dos ou d'autre blessure.

5. Soulever la porte du réfrigérateur de l'axe de la charnière inférieure. La charnière supérieure se dégage en même temps que la porte.

Retrait de la porte de gauche du réfrigérateur

IMPORTANT : Étant donné que le raccordement de l'eau et le câblage électrique du distributeur d'eau passent par la charnière externe de la porte de gauche, ils doivent être déconnectés avant de retirer la porte.

1. À l'aide d'un tournevis Phillips, retirer le couvre-charnière de la charnière supérieure.



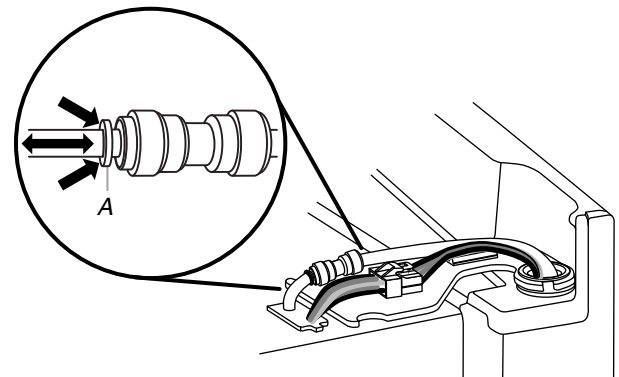
A. Vis du couvre-charnière supérieur

B. Couvre-charnière supérieur

2. Débrancher le tube du distributeur d'eau situé sur la charnière de la porte.

Style 1 - Presser l'anneau extérieur contre l'avant du raccord et tirer doucement sur le tuyau du distributeur pour le libérer.

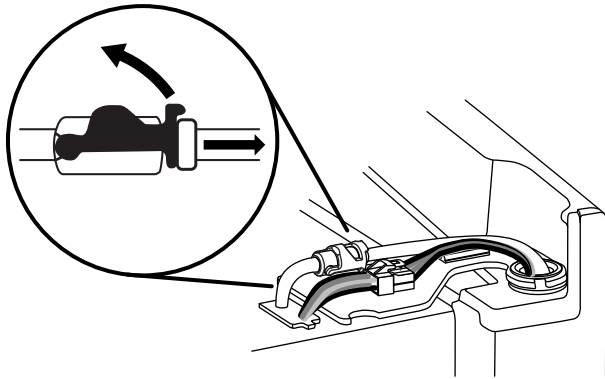
REMARQUE : Le tuyau du distributeur d'eau reste fixé à la porte de gauche du réfrigérateur.



A. Bague externe

Style 2 - Tirer fermement l'attache vers le haut et retirer le tuyau du raccord.

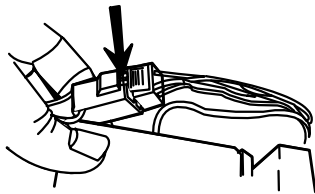
REMARQUE : Le tuyau du distributeur d'eau reste fixé à la porte de gauche du réfrigérateur.



3. Débrancher la fiche de câblage située sur la charnière de la porte.

- Saisir chaque côté de la fiche de câblage. Avec le pouce gauche, appuyer sur le loquet pour le dégager et écarter les deux sections de la fiche.

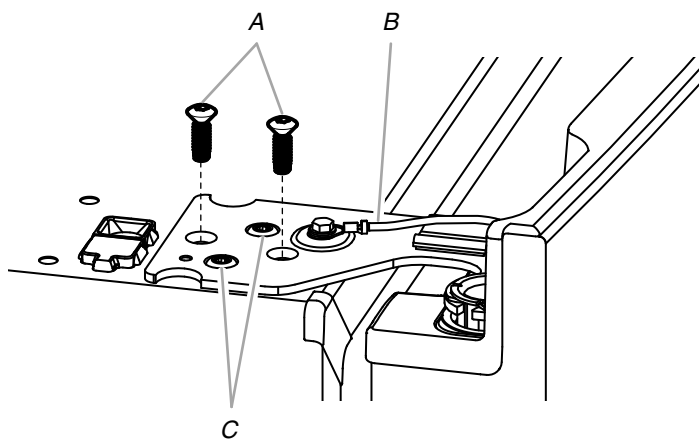
REMARQUE : Ne pas retirer le conducteur vert relié à la terre. Il doit rester fixé à la charnière de porte.



4. Utiliser la clé à tête hexagonale de 3/16" pour enlever les deux vis internes à tête hexagonale de la charnière supérieure et les mettre de côté.

REMARQUES :

- Prévoir un support supplémentaire pour la porte du réfrigérateur pendant le retrait des charnières. La force d'attraction des aimants de la porte ne suffit pas à la maintenir en place pendant la manutention.
- Ne pas retirer les deux vis de positionnement. Ces vis vous aideront à aligner la charnière lors de la réinstallation de la porte.



A. Vis internes à tête hexagonale de 3/16"

B. Conducteur de liaison à la terre (ne pas retirer)

C. Vis de positionnement (ne pas retirer)

5. Soulever la porte du réfrigérateur de l'axe de la charnière inférieure. La charnière supérieure se dégage en même temps que la porte.

REMARQUE : Il ne sera peut-être pas nécessaire d'enlever les charnières inférieures et les pieds de stabilisation pour faire passer le réfrigérateur dans un cadre de porte.

- Uniquement si cela s'avère nécessaire, retirer les charnières inférieures à l'aide d'un tourne-écrou avec une pointe carrée n° 2 et un tourne-écrou de 3/8" pour retirer les vis des pieds de stabilisation.

Réinstallation de la porte de droite du réfrigérateur

1. Placer la porte de droite sur l'axe de charnière inférieure.
2. Insérer l'axe de charnière supérieure dans le trou béant du sommet de la porte du réfrigérateur.
3. Fixer la charnière à la caisse à l'aide des deux vis internes à tête hexagonale de 3/16". Ne pas complètement serrer les vis.

Réinstallation de la porte de gauche du réfrigérateur

IMPORTANT : Ne pas emmêler le tuyau d'eau et les faisceaux de câblage en les reconnectant.

1. Placer la porte de gauche sur l'axe de charnière inférieure.
2. Fixer la charnière à la caisse à l'aide des deux vis internes à tête hexagonale de 3/16". Ne pas complètement serrer les vis.
3. Raccorder le tuyau du distributeur d'eau.

Style 1 - Enfoncer le tuyau dans le raccord jusqu'à la butée et jusqu'à ce que l'anneau externe soit en contact avec l'avant du raccord.

Style 2 - Enfoncer fermement le tuyau d'eau dans le raccord jusqu'à la butée. Fixer l'attache autour du tube. L'attache se fixe autour du raccord et du collier.

4. Rebrancher le câblage.
 - Remboîter les deux sections de la fiche de câblage.

Étapes finales

1. Serrer complètement les quatre vis internes à tête hexagonale (deux sur la charnière de la porte de droite et deux sur la charnière de la porte de gauche).
2. Réinstaller les deux couvre-charnières supérieurs.

Retrait et réinstallation de l'avant du tiroir de congélation

En fonction de la largeur de l'ouverture de la porte, il faudra peut-être retirer l'avant du tiroir de congélation pour pouvoir introduire le réfrigérateur dans le domicile.

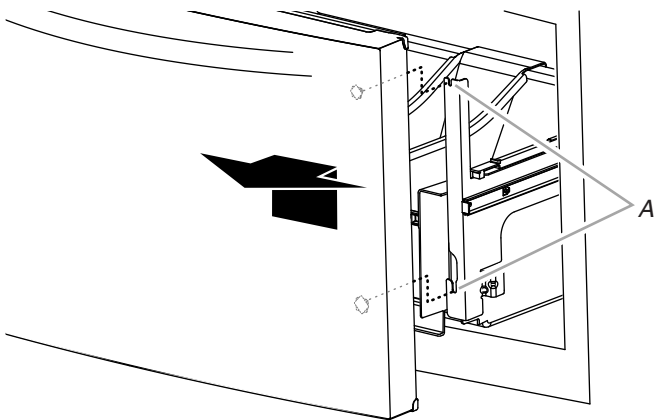
IMPORTANT :

- Si le réfrigérateur était déjà installé et que vous souhaitez le déplacer hors de votre domicile, effectuez d'abord les opérations suivantes : tourner la commande du réfrigérateur sur OFF (arrêt) et débrancher le réfrigérateur ou déconnecter la source de courant électrique. Retirer les aliments du tiroir de congélation.
- Il faudra peut-être deux personnes pour déplacer et réinstaller l'avant du tiroir de congélation.

Outils nécessaires : Tourne-écrou à tête hexagonale de 1/4"

Retrait de l'avant du tiroir

1. Ouvrir complètement le tiroir de congélation.
2. Retirer les deux vis situées au sommet, à l'intérieur de l'avant du tiroir (une à gauche et une à droite) qui fixent l'avant du tiroir aux glissières de tiroir.
3. Soulever l'avant du tiroir pour dégager les pitons en plastique des encoches de la patte de glissière du tiroir.



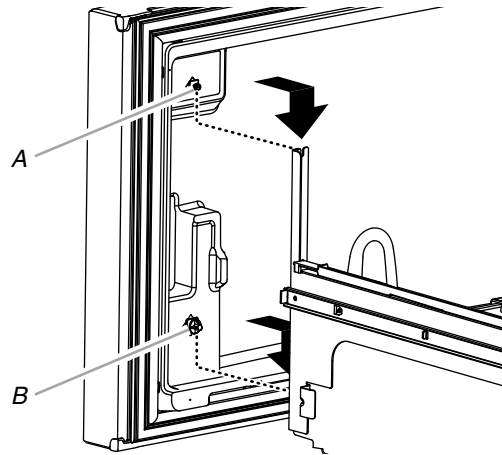
A. Encoches de la patte de glissière du tiroir

4. Réinsérer les glissières dans le congélateur.

Réinstallation de l'avant du tiroir

1. Déployer complètement les glissières de tiroir du congélateur.
2. Tout en saisissant l'avant du tiroir par les côtés, aligner les deux pitons en plastique (situés au fond, à l'intérieur de l'avant du tiroir) avec les encoches des pattes de glissière du tiroir.

REMARQUE : Pour faciliter l'opération, une personne peut maintenir les glissières de tiroir en place pendant qu'une autre aligne l'avant du tiroir et insère les pitons dans les encoches.



A. Vis de l'avant du tiroir

B. Pilon en plastique de l'avant du tiroir

3. Réinstaller et serrer les deux vis situées au sommet de l'avant du tiroir (une à gauche et une à droite).

Étapes finales

⚠ AVERTISSEMENT



Risque de choc électrique

Brancher sur une prise à 3 alvéoles reliée à la terre.

Ne pas enlever la broche de liaison à la terre.

Ne pas utiliser un adaptateur.

Ne pas utiliser un câble de rallonge.

Le non-respect de ces instructions peut causer un décès, un incendie ou un choc électrique.

1. Brancher la fiche sur une prise de courant à 3 alvéoles, reliée à la terre.
2. Réinitialiser les commandes. Voir "Utilisation des commandes".
3. Réinstaller l'ensemble des pièces amovibles dans les portes et les aliments dans le réfrigérateur.

Spécifications électriques

⚠ AVERTISSEMENT



Risque de choc électrique

Brancher sur une prise à 3 alvéoles reliée à la terre.

Ne pas enlever la broche de liaison à la terre.

Ne pas utiliser un adaptateur.

Ne pas utiliser un câble de rallonge.

Le non-respect de ces instructions peut causer un décès, un incendie ou un choc électrique.

Avant de placer le réfrigérateur à son emplacement final, il est important de vous assurer d'avoir la connexion électrique appropriée.

Méthode recommandée de mise à la terre

Une source d'alimentation de 115 volts, 60 Hz, type 15 ou 20 ampères CA seulement, protégée par fusibles et adéquatement mise à la terre est nécessaire. Il est recommandé d'utiliser un circuit distinct pour alimenter uniquement votre réfrigérateur. Utiliser une prise murale qui ne peut pas être mise hors circuit à l'aide d'un commutateur. Ne pas utiliser de câble de rallonge.

REMARQUE : Avant d'exécuter tout type d'installation, nettoyage ou remplacement d'une ampoule d'éclairage, désactiver le refroidissement, et déconnecter ensuite le réfrigérateur de la source d'alimentation électrique. Lorsque l'on a terminé, reconnecter le réfrigérateur à la source d'alimentation électrique et réactiver le refroidissement. Voir "Utilisation de la/ des commande(s)".

Spécifications de l'alimentation en eau

Une alimentation en eau froide avec une pression comprise entre 35 et 120 lb/po² (241 et 827 kPa) est nécessaire pour faire fonctionner le distributeur d'eau et la machine à glaçons. Si vous avez des questions au sujet de la pression de votre eau, faire appel à un plombier qualifié agréé.

REMARQUE : Si la pression en eau est inférieure aux critères minimaux, le débit du distributeur d'eau pourrait diminuer ou entraîner la formation de glaçons creux ou de forme irrégulière.

Alimentation en eau par osmose inverse

IMPORTANT : La pression de l'alimentation en eau sortant du système d'osmose inverse et entrant dans le robinet d'arrivée d'eau du réfrigérateur doit être comprise entre 35 et 120 psi (241 et 827 kPa).

Si un système de purification de l'eau par osmose inverse est raccordé à votre alimentation en eau froide, la pression de l'eau au système d'osmose inverse doit être d'un minimum de 40 à 60 lb/po² (276 à 414 kPa).

- Vérifier si le filtre à sédiment dans le système à osmose inverse est obstrué. Remplacer le filtre si nécessaire.
- Laisser le réservoir du système d'osmose inverse se remplir après une utilisation intense. La capacité du réservoir est peut-être trop faible pour répondre aux spécifications du réfrigérateur.

REMARQUE : Un système d'osmose inverse monté sur robinet est déconseillé.

- Si votre réfrigérateur comporte un filtre à eau, celui-ci peut réduire la pression de l'eau lorsqu'il est utilisé avec un système d'osmose inverse. Enlever le filtre à eau. Voir "Système de filtration de l'eau".

Si vous avez des questions au sujet de la pression de votre eau, faire appel à un plombier qualifié agréé.

Raccordement à la canalisation d'eau

Lire toutes les instructions avant de commencer.

IMPORTANT :

- Réaliser l'installation de plomberie conformément aux prescriptions du International Plumbing Code et des normes et codes locaux en vigueur.
- Afin d'éviter que les glaçons ou l'eau aient mauvais goût, il est recommandé d'utiliser un tube en cuivre ou le tube d'alimentation fourni par Whirlpool®, pièce numéro 8212547RP pour raccorder la canalisation d'alimentation en eau du domicile à la canalisation ou au raccord d'eau sortant de l'arrière du réfrigérateur. Vérifier qu'il n'y a pas de fuites.
- Installer des tuyaux seulement là où les températures resteront au-dessus du point de congélation.

OUTILLAGE NÉCESSAIRE :

Rassembler les outils et composants nécessaires avant d'entreprendre l'installation.

- Tournevis à lame plate
- Clés plates de 7/16" et 1/2" ou deux clés à molette
- Tourne-écrou de 1/4"

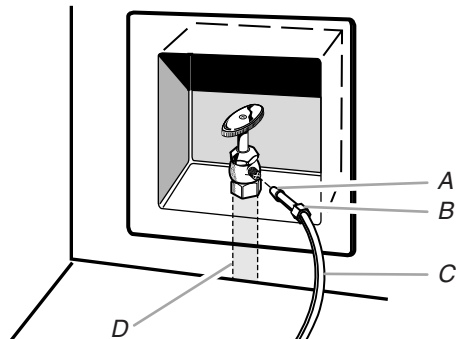
REMARQUE : Ne pas employer de robinet d'arrêt à étrier de 3/16" (4,76 mm) ou de type à percer, car cela réduit le débit d'eau et augmente le risque d'obstruction.

Raccordement à la canalisation d'eau

IMPORTANT : Si l'on doit mettre en marche le réfrigérateur avant de raccorder la canalisation d'eau, placer la machine à glaçons à OFF (arrêt).

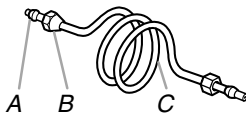
1. Débrancher le réfrigérateur ou déconnecter la source de courant électrique.
2. FERMER le robinet principal d'alimentation en eau. OUVRIR le robinet le plus proche pendant une période suffisante pour purger toute l'eau de la canalisation.
3. Utiliser un robinet d'arrêt quart de tour ou équivalent alimenté par une canalisation d'alimentation en eau domestique de 1/2".

REMARQUE : Pour que le réfrigérateur reçoive un débit d'eau suffisant, on recommande l'emploi d'une canalisation d'alimentation domestique de 1/2" minimum.



A. Bague
B. Écrou
C. Canalisation en cuivre (jusqu'au réfrigérateur)
D. Canalisation d'alimentation en eau du domicile (1/2" minimum)

4. On est maintenant prêt à connecter le tuyau en cuivre au robinet d'arrêt. Utiliser un conduit de cuivre flexible de 1/4" (6,35 mm) de diamètre extérieur pour raccorder le robinet d'arrêt au réfrigérateur.
 - S'assurer d'avoir la longueur nécessaire pour une installation correcte. Il faut s'assurer que les deux extrémités du tuyau en cuivre sont bien coupées à angle droit.
 - Installer la bague et l'écrou à compression sur le tuyau en cuivre tel qu'indiqué. Insérer l'extrémité du tuyau aussi profondément que possible dans l'extrémité de sortie et à l'équerre. Visser l'écrou de compression sur l'extrémité de sortie du raccord à l'aide d'une clé à molette. Ne pas serrer excessivement.



A. Bague de compression
B. Écrou de compression
C. Tube en cuivre

5. Placer l'extrémité libre de la canalisation dans un contenant ou un évier et rétablir l'alimentation principale en eau pour nettoyer le tuyau jusqu'à ce que l'eau soit limpide. Fermer le robinet d'arrêt de la canalisation d'eau.

REMARQUE : Toujours vidanger la canalisation d'eau avant de faire le raccordement final sur l'entrée du robinet pour éviter tout mauvais fonctionnement éventuel du robinet.

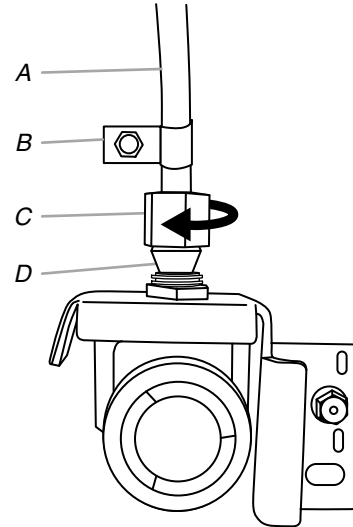
6. Courber le tuyau de cuivre de façon à faire un raccordement sur l'entrée du robinet situé à l'arrière de la caisse du réfrigérateur tel qu'illustré. Laisser une partie du tube en cuivre enroulée pour permettre de dégager le réfrigérateur du placard ou du mur en cas de dépannage.

Raccordement au réfrigérateur

Suivre les instructions relatives au modèle utilisé pour le raccordement.

Style 1

1. Ôter le capuchon de plastique de l'orifice d'entrée d'eau. Raccorder le tube de cuivre au robinet d'arrivée d'eau à l'aide d'un écrou et d'une bague de compression, tel qu'illustré. Serrer l'écrou de compression. Ne pas serrer excessivement. Vérifier la solidité du raccordement en tirant sur le tube en cuivre.
2. Créer une boucle de service avec le tube en cuivre. Éviter de déformer le tube de cuivre en l'enroulant. Fixer le tube en cuivre à la caisse du réfrigérateur à l'aide d'une bride en "P".



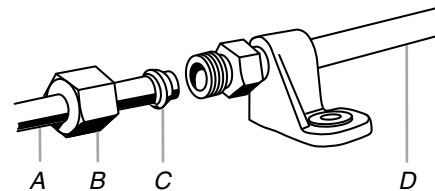
A. Tube en cuivre
B. Bride en "P"
C. Écrou de compression
D. Bague de compression

3. Ouvrir l'arrivée d'eau alimentant le réfrigérateur et vérifier l'absence de fuites. Éliminer toute fuite détectée.

Style 2

1. Débrancher le réfrigérateur ou déconnecter la source de courant électrique.
2. Retirer et jeter la courte pièce en plastique noire de l'extrémité du point d'entrée de la canalisation d'eau.
3. Enfiler l'écrou sur l'extrémité du tuyau. Serrer l'écrou manuellement. Ensuite le serrer deux tours de plus avec une clé. Ne pas serrer excessivement.

REMARQUE : Pour éviter les vibrations, veiller à ce que la canalisation en cuivre ne soit pas en contact avec les parois latérales de la caisse ou d'autres composants à l'intérieur de la caisse.



A. Canalisation au réfrigérateur
B. Écrou (à acheter)
C. Bague (à acheter)
D. Canalisation au réfrigérateur (fournie)

4. Installer la bride de la canalisation d'alimentation en eau bien autour de la canalisation pour réduire la pression sur le raccord.
5. OUVRIR le robinet d'arrêt.
6. Vérifier qu'il n'y a pas de fuites. Serrer tous les raccords (y compris les raccords du robinet) ou les écrous qui présentent des fuites.
7. Sur certains modèles, la machine à glaçons comporte un filtre à eau incorporé. Si les caractéristiques de l'eau requièrent un second filtre à eau, installer celui-ci dans la canalisation d'eau de 1/4" (6,35 mm) à l'une ou l'autre des extrémités du tube. Se procurer un filtre à eau auprès de votre marchand d'appareils ménagers.

Achever l'installation

⚠ AVERTISSEMENT



Risque de choc électrique

- Brancher sur une prise à 3 alvéoles reliée à la terre.**
- Ne pas enlever la broche de liaison à la terre.**
- Ne pas utiliser un adaptateur.**
- Ne pas utiliser un câble de rallonge.**
- Le non-respect de ces instructions peut causer un décès, un incendie ou un choc électrique.**

1. Brancher sur une prise à trois alvéoles reliée à la terre.
2. Rincer le système de distribution d'eau. Voir "Distributeurs d'eau et de glaçons".

REMARQUE : Prévoir un délai de 24 heures pour la production du premier lot de glaçons. Jeter les trois premiers lots de glaçons produits. Prévoir un délai de 3 jours pour le remplissage complet du bac d'entreposage à glaçons.

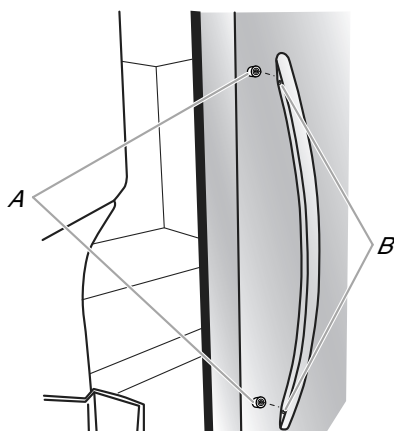
Installation et démontage des poignées

Pièces fournies : Poignées de porte du réfrigérateur (2), poignée du tiroir du congélateur (1), Clé à tête hexagonale de 1/8", vis de blocage (de rechange)

Installation des poignées

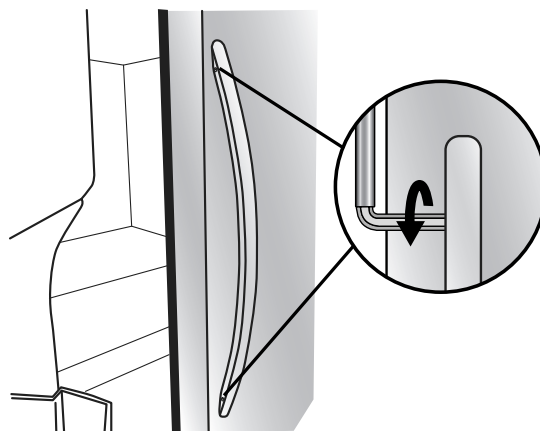
REMARQUE : Les vis de blocage des poignées sont préinstallées dans les poignées.

1. Retirer les poignées de l'emballage à l'intérieur du réfrigérateur et les placer sur une surface souple.
2. Ouvrir la porte du compartiment de réfrigération. Sur la porte fermée, placer une poignée sur les vis à épaulement de façon à ce que les vis de blocage soient orientées vers la porte adjacente.



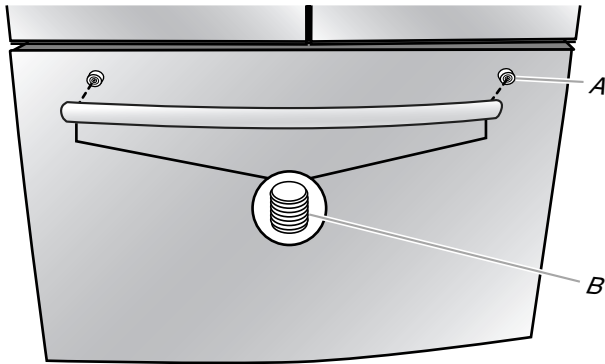
A. Vis à épaulement
B. Vis de blocage dans la poignée

3. Pousser fermement la poignée vers la porte jusqu'à mettre en contact sa surface d'appui avec la porte.
4. Tout en maintenant la poignée, introduire le côté court de la clé à tête hexagonale dans le trou supérieur, puis tourner légèrement la clé à tête hexagonale pour l'engager dans la vis de blocage.



5. Serrer la vis de blocage jusqu'à ce qu'elle commence à toucher la vis à épaulement en la tournant dans le sens horaire. Ne pas serrer complètement.
6. Répéter les étapes 4 et 5 pour fixer la vis de blocage inférieure.

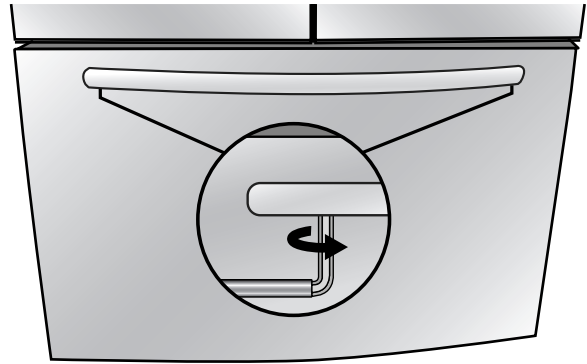
- Une fois que les deux vis de blocage ont été partiellement serrées tel que décrit dans les étapes précédentes, serrer complètement les deux vis de blocage.
IMPORTANT : Lorsque les vis sont serrées, les serrer d'un quart de tour supplémentaire. Sans ce serrage supplémentaire, la poignée ne sera pas correctement installée.
- Répéter les étapes 2 à 7 pour installer l'autre poignée sur la porte adjacente du réfrigérateur.
- Avec le tiroir du congélateur fermé, placer la poignée sur les vis à épaulement de façon à ce que les vis de blocage soient orientées vers le plancher.



A. Vis à épaulement
B. Vis de blocage dans la poignée

- Pousser fermement la poignée vers le tiroir jusqu'à mettre en contact sa surface d'appui avec le tiroir.

- Introduire le côté court de la clé à tête hexagonale dans le trou gauche, puis tourner légèrement la clé à tête hexagonale pour l'engager dans la vis de blocage.



- En tournant la clé de gauche à droite, serrer la vis de blocage d'un quart de tour à la fois, jusqu'à ce qu'elle commence à toucher la vis à épaulement. Ne pas serrer complètement.
- Répéter les étapes 11 et 12 pour fixer la vis de blocage de droite à la vis à épaulement.
- Une fois que les deux vis de blocage ont été partiellement serrées tel que décrit dans les étapes précédentes, serrer complètement les deux vis de blocage.
IMPORTANT : Lorsque les vis sont serrées, les serrer d'un quart de tour supplémentaire. Sans ce serrage supplémentaire, la poignée ne sera pas correctement installée.
- Conserver la clé à tête hexagonale et toutes les instructions.

Démontage des poignées

- Tout en maintenant la poignée, introduire le côté court de la clé à tête hexagonale dans le trou d'une vis de blocage, puis tourner légèrement la clé à tête hexagonale pour l'engager dans la vis de blocage.
- En tournant la clé de droite à gauche, desserrer la vis de blocage d'un quart de tour à la fois.
- Répéter les étapes 1 et 2 pour l'autre vis de blocage. Tirer doucement la poignée pour la retirer de la porte ou du tiroir.
- Si nécessaire, retirer les vis à épaulement de la porte avec un tournevis Phillips.

Mise à niveau du réfrigérateur, fermeture et alignement des portes

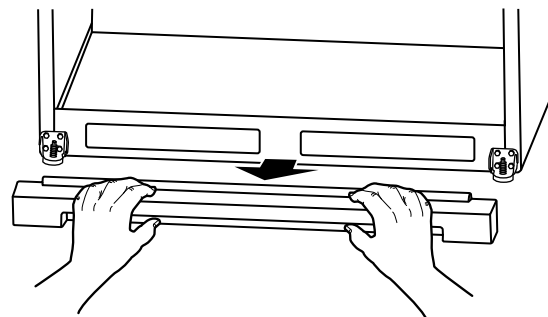
La grille de la base couvre les pieds de stabilisation réglables et les roulettes situés dans le bas du réfrigérateur sous le tiroir de congélation. Avant d'effectuer des réglages, retirer la grille de la base et déplacer le réfrigérateur jusqu'à sa position de service finale.

Outillage nécessaire : tourne-écrou à tête hexagonale de 1/4"

Outillage fourni : clé à tête hexagonale de 1/8"

- Retirer la grille de la base. Saisir la grille fermement et la tirer vers soi. Ouvrir le tiroir du congélateur pour accéder aux pieds de stabilisation.

REMARQUE : Afin que le réfrigérateur puisse rouler plus facilement, soulever les pieds de stabilisation en les tournant dans le sens antihoraire. Les roulettes avant toucheront le plancher.



- Déplacer le réfrigérateur jusqu'à sa position de service finale.

- Abaisser les pieds de stabilisation en les tournant dans le sens horaire jusqu'à ce que les roulettes ne touchent plus le plancher et que les deux pieds de stabilisation soient en contact ferme avec le plancher. Cela empêche le réfrigérateur de rouler vers l'avant lorsqu'on ouvre les portes du réfrigérateur ou le tiroir du congélateur.

IMPORTANT : Si vous avez besoin de faire des ajustements supplémentaires au niveau des pieds de stabilisation, tourner les deux pieds de façon égale pour conserver la mise à niveau du réfrigérateur.

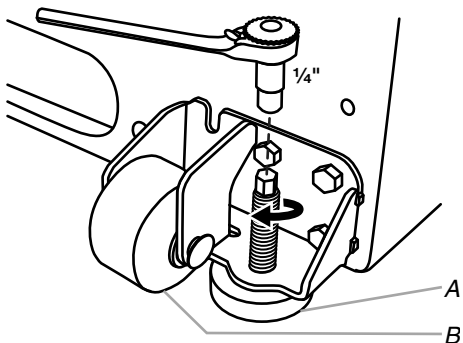
- S'assurer que les portes ferment facilement. Si vous êtes satisfait de l'ouverture et la fermeture des portes, passer à la section "Alignement des portes." En revanche, si les portes ne ferment pas facilement ou si elles s'ouvrent d'elles-mêmes, régler leur inclinaison.

Pour régler l'inclinaison du réfrigérateur :

- Ouvrir le tiroir du congélateur. Utiliser un tourne-écrou à tête hexagonale de 1/4" pour tourner les deux pieds de stabilisation dans le sens horaire de façon égale. Ce réglage soulèvera l'avant du réfrigérateur. Plusieurs tours peuvent être nécessaires pour permettre aux portes de fermer plus facilement.

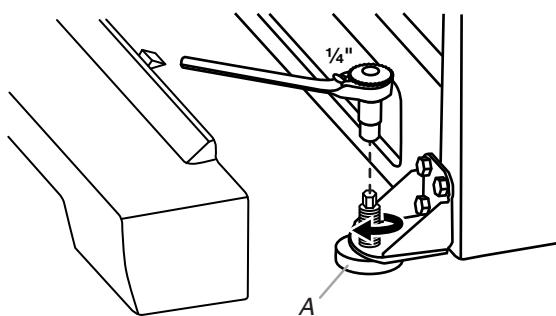
REMARQUE : Le fait de pousser contre le sommet du réfrigérateur permet de réduire le poids appliqué aux pieds de stabilisation et de faciliter ainsi leur vissage.

Style 1



A. Pied de stabilisation
B. Roulette avant

Style 2



A. Pied de stabilisation

- S'assurer que les portes sont de niveau en haut et que l'espace entre le bas des portes du réfrigérateur et le haut du tiroir du congélateur est de niveau. Si nécessaire, aligner les portes.

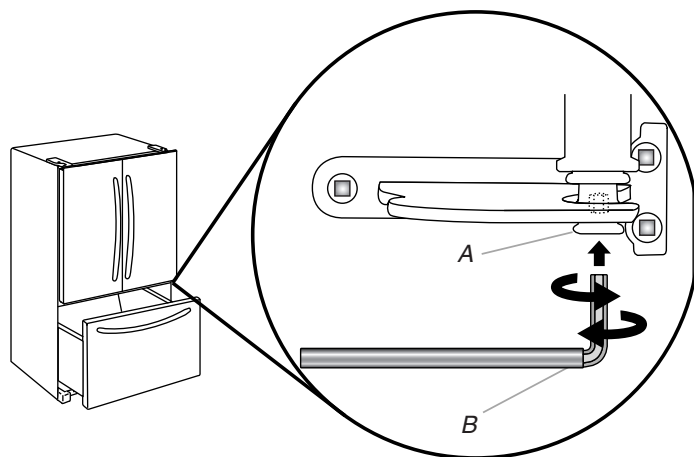
Alignement des portes :

- Tout en maintenant les portes du réfrigérateur fermées, ouvrir le tiroir du congélateur. Localiser l'axe de charnière inférieure de la porte de droite du réfrigérateur. La vis d'alignement est située dans l'axe de charnière inférieure.
- Glisser l'extrémité courte de la clé à tête hexagonale de 1/8" (livrée avec les Instructions d'installation de la poignée de la porte) dans l'axe de la charnière inférieure jusqu'à ce qu'elle soit complètement engagée dans la vis d'alignement.

Pour relever la porte du réfrigérateur, tourner la clé à tête hexagonale vers la droite.

Pour abaisser la porte, tourner la clé à tête hexagonale vers la gauche.

- Continuer à tourner la vis d'alignement jusqu'à ce que les portes soient alignées.



A. Axe de charnière inférieure
B. Clé à tête hexagonale de 1/8"

- S'assurer que le réfrigérateur est stable. Si le réfrigérateur semble instable ou qu'il roule vers l'avant lorsqu'on ouvre la porte ou le tiroir, ajuster les pieds de stabilisation.

Stabilisation du réfrigérateur :

- Ouvrir le tiroir du congélateur. À l'aide d'un tourne-écrou à tête hexagonale de 1/4", tourner les deux pieds de stabilisation de façon égale dans le sens horaire jusqu'à ce qu'ils soient en contact ferme avec le plancher. Vérifier de nouveau. Si vous n'êtes pas satisfait, continuer d'ajuster les pieds de stabilisation en tournant leurs vis respectives d'un demi-tour jusqu'à ce que le réfrigérateur ne roule pas vers l'avant lorsqu'on ouvre le tiroir.

REMARQUE : Le fait de pousser contre le sommet du réfrigérateur permet de réduire le poids appliqué aux pieds de stabilisation et de faciliter ainsi leur vissage.

- Réinstaller la grille de la base en alignant les extrémités de la grille avec les dispositifs de nivellement de chaque côté et emboîter la grille.

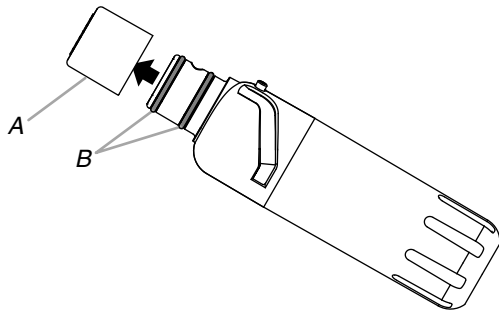
FILTRES ET ACCESSOIRES

Système de filtration de l'eau

Ne pas utiliser pour le filtrage d'une eau microbiologiquement polluée ou de qualité inconnue en l'absence d'un dispositif de désinfection adéquat avant ou après le système. Les systèmes certifiés pour la réduction de kyste peuvent être utilisés pour l'eau désinfectée qui peut contenir des kystes filtrables.

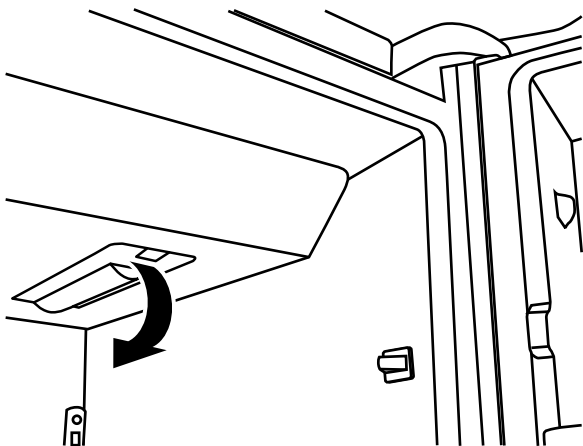
Installation du filtre à eau

1. Identifier le sachet d'accessoires à l'intérieur du réfrigérateur et retirer le filtre à eau.
2. Retirer le filtre à eau neuf de son emballage, puis retirer la protection des joints toriques. S'assurer que les joints toriques sont toujours en place une fois la protection retirée.



A. Protection de joint torique
B. Joints toriques

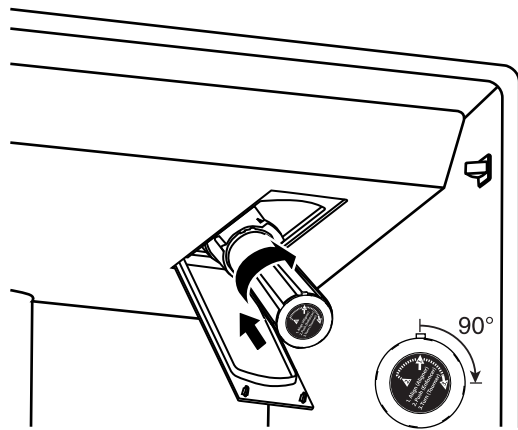
3. Le compartiment du filtre à eau se trouve du côté droit du plafond du réfrigérateur. Pousser la porte du compartiment vers le haut pour dégager le loquet puis abaisser la porte.



4. Aligner l'arête sur l'étiquette du filtre à eau avec l'encoche du logement du filtre et insérer le filtre dans le logement.

5. Tourner le filtre de 90 degrés (d'un quart de tour) dans le sens horaire jusqu'à ce qu'il s'emboîte dans le logement.

REMARQUE : Si le filtre n'est pas bien emboîté dans le logement, le distributeur d'eau ne fonctionnera pas. L'eau ne coulera pas du distributeur.



6. Tout en gardant le clapet du compartiment ouvert, soulever le filtre pour l'insérer dans le compartiment. Ensuite, fermer complètement le clapet du compartiment du filtre.
7. Rincer le système de distribution d'eau. Voir "Purge du filtre à eau" dans la section "Distributeurs d'eau et de glaçons".

IMPORTANT : Si l'on ne purge pas le circuit d'eau, on remarquera peut-être que le distributeur d'eau goutte et/ou une réduction du débit.

Témoin lumineux du filtre à eau

Appuyer sur WATER FILTER (filtre à eau) pour afficher le pourcentage d'utilisation restant du filtre (de 99 % à 0 %). Appuyer de nouveau sur WATER FILTER (filtre à eau) pour revenir à l'écran normal.

Les témoins lumineux de l'état du filtre à eau vous aideront à savoir quand changer le filtre à eau.

- ORDER (commander) (jaune) - Il est presque temps de changer le filtre à eau.
- REPLACE (remplacer) (rouge) - Remplacer le filtre à eau. Le mot "Replace" (remplacer) clignote tandis que l'on distribue de l'eau.

REMARQUE : Si aucun filtre à eau n'est installé ou s'il n'est pas détecté parce qu'il est mal installé (verrouillé), "Replace" (remplacer) et "--% remaining" (% restant) s'affiche sur le tableau de commande. Inspecter le filtre à eau.

- RÉINITIALISER la caractéristique de témoin du filtre à eau. Après avoir remplacé le filtre jetable par un filtre neuf et avoir refermé le clapet du compartiment du filtre, la caractéristique de suivi du statut du filtre se réinitialise automatiquement. Voir "Utilisation des commandes".

REMARQUE : "Replace" (remplacer) reste allumé si aucun filtre n'est installé ou si le filtre n'est pas bien installé.

Remplacement du filtre à eau

Pour acheter un filtre à eau de rechange, voir "Accessoires".

Remplacer le filtre à eau jetable lorsque l'écran d'affichage du témoin du filtre à eau l'indique ou au moins tous les 6 mois. Si le débit d'eau au distributeur d'eau ou à la machine à glaçons diminue de façon marquée, changer le filtre à eau plus tôt.

1. Repérer le compartiment du filtre à eau sur le côté droit du plafond du réfrigérateur. Appuyer sur la porte du compartiment pour la déverrouiller puis l'abaisser.

2. Tourner le filtre à eau dans le sens antihoraire (vers la gauche) et le retirer tout droit hors du compartiment.

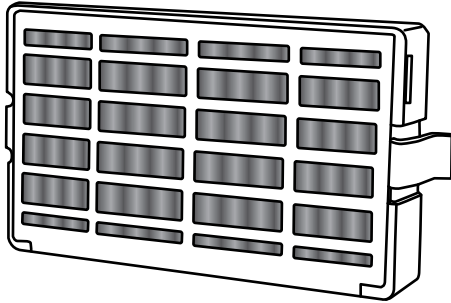
REMARQUE : Il y aura peut-être de l'eau dans le filtre. Il est possible qu'il y ait un déversement. Utiliser une serviette pour essuyer tout renversement.

3. Installer le filtre à eau de rechange en suivant les étapes 2 à 7 de la section "Installation du filtre à eau".

Installation du filtre à air (sur certains modèles)

Un filtre à air est 15 fois plus puissant que le bicarbonate de soude pour réduire les odeurs alimentaires ordinaires à l'intérieur du réfrigérateur.

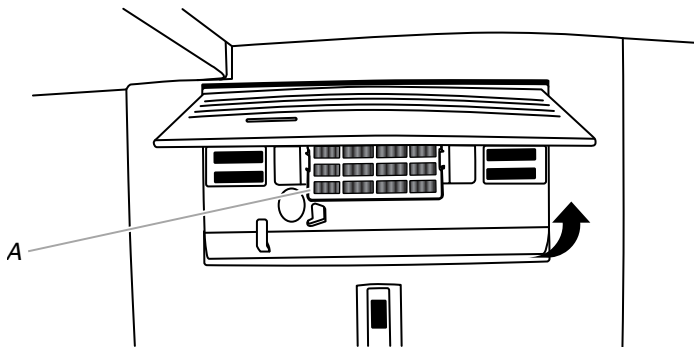
Sur certains modèles, le sachet d'accessoires du réfrigérateur comprend un filtre à air qui doit être installé avant d'utiliser le réfrigérateur.



Installation du filtre à air

Installer le filtre à air derrière la porte à aérations, le long de la paroi arrière, à proximité du sommet du compartiment de réfrigération.

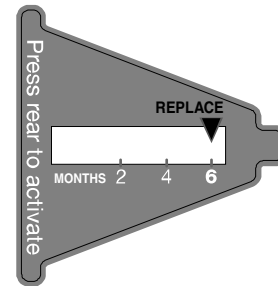
1. Retirer le filtre à air de son emballage.
2. Ouvrir la porte à aérations en la soulevant.
3. Emboîter le filtre pour le mettre en place.



A. Filtre à air

Installation du témoin de statut de filtre

Le filtre comporte un témoin de statut qui doit être activé et installé en même temps que le filtre à air.

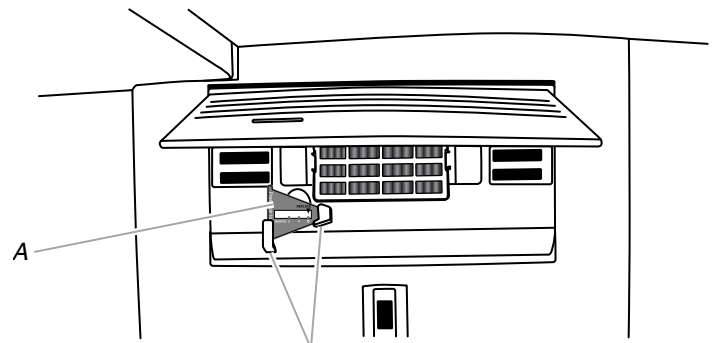


1. Placer le témoin orienté vers le bas sur une surface ferme et plane.
2. Appliquer une pression sur la bulle située à l'arrière du témoin jusqu'à ce que la bulle éclate – ceci active le témoin.
3. Ouvrir la porte du filtre à air à aérations en la soulevant. Sur certains modèles, l'arrière de la porte comporte des encoches.

Modèles avec encoches :

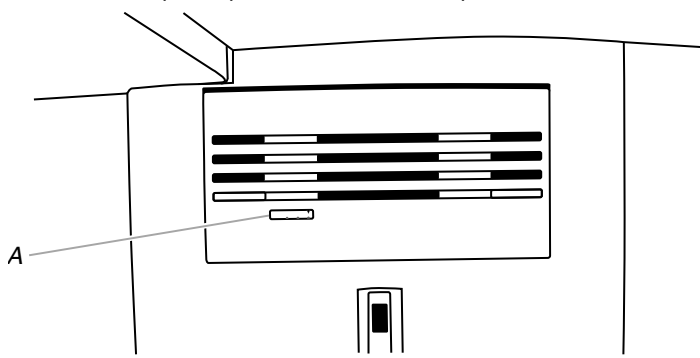
- Faire glisser le témoin vers le bas et l'insérer dans les encoches en orientant l'écran du témoin vers l'extérieur.

REMARQUE : Le témoin ne glissera pas facilement dans les encoches si la bulle n'a pas éclaté.



A. Indicateur du statut du filtre à air
B. Encoches

- Fermer la porte du filtre à air et vérifier que le témoin est visible par la petite fenêtre dans la porte.



A. Fenêtre du témoin

Modèles sans encoches :

- Placer le témoin dans un endroit visible - soit à l'intérieur du réfrigérateur, soit dans un autre endroit de la cuisine ou du domicile.

Remplacement du filtre à air

Le filtre à air jetable doit être remplacé tous les 6 mois, lorsque le témoin est entièrement passé du blanc au rouge.

Pour commander un filtre à air de rechange, nous contacter. Voir "Accessoires" pour des renseignements sur le processus de commande.

1. Retirer l'ancien filtre à air en serrant les onglets latéraux.
2. Retirer le témoin usagé.
3. Installer le filtre à air et le témoin neufs à l'aide des instructions des sections précédentes.

Installation du conservateur pour produits frais (sur certains modèles)

Le sachet de conservation pour produits frais absorbe l'éthylène, permettant ainsi un ralentissement du processus de maturation de nombreux produits frais. Ainsi, la fraîcheur de certains produits frais est prolongée.

La production d'éthylène et la sensibilité des produits à l'éthylène varient selon le type de fruit ou de légume. Afin de préserver la fraîcheur, il est préférable de séparer les produits frais sensibles à l'éthylène des fruits produisant des quantités d'éthylène modérées à élevées.

	Sensibilité à l'éthylène	Production d'éthylène
Pommes	Élevée	Très élevée
Asperges	Moy.	Très basse
Baies	Basse	Basse
Brocoli	Élevée	Très basse
Melon brodé	Moy.	Élevée
Carottes	Basse	Très basse
Agrumes	Moy.	Très basse
Raisin	Basse	Très basse
Laitue	Élevée	Très basse
Poires	Élevée	Très élevée
Épinards	Élevée	Très basse

Installation du conservateur pour produits frais

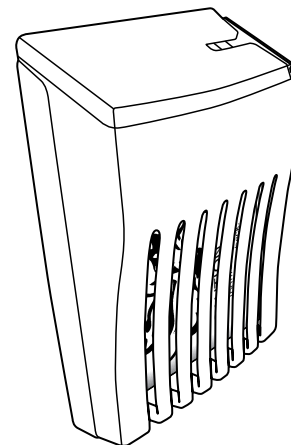
ATTENTION : IRRITANT

PEUT IRRITER LES YEUX ET LA PEAU. DÉGAGE DES ÉMANATIONS DANGEREUSES LORSQUE MÉLANGÉ AVEC D'AUTRES PRODUITS.

Ne pas mélanger avec d'autres agents de nettoyage tels que l'ammoniaque, un agent de blanchiment ou des acides. Éviter tout contact avec les yeux, la peau ou les vêtements. Ne pas respirer les poussières. Tenir hors de la portée des enfants.

PREMIERS SOINS : Contient du permanganate de potassium. En cas d'ingestion, appeler immédiatement un centre antipoison ou un médecin. Ne pas provoquer le vomissement. En cas de contact avec les yeux, rincer avec de l'eau pendant 15 minutes. En cas de contact avec la peau, bien rincer avec de l'eau.

1. Repérer le logement du conservateur pour produits frais à l'intérieur du réfrigérateur.

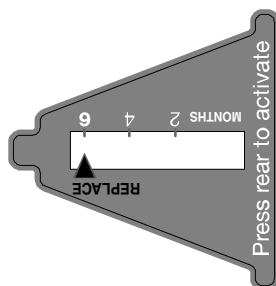


2. Ouvrir le logement en tirant l'arrière vers le haut puis vers l'extérieur.

- Retirer les sachets de conservation pour produits frais FreshFlow™ de leur emballage et les placer dans le logement.
- REMARQUE :** Pour une performance idéale, toujours utiliser deux sachets.
- Placer le logement du conservateur pour produits frais sur la languette située sur la paroi arrière du bac à légumes.

Installation du témoin

Le conservateur pour produits frais comporte un témoin qui doit être activé et installé en même temps que les sachets.



- Orienter le témoin vers le bas en le plaçant sur une surface ferme et plane.
- Appliquer une pression sur la bulle située à l'arrière du témoin jusqu'à ce que la bulle éclate – ceci active le témoin.

Accessoires

Les accessoires de réfrigérateur suivants sont disponibles. Pour commander, nous contacter et demander les numéros de pièces.

Aux É.-U., consulter notre page Web www.maytag.com/accessories ou composer le **1-800-901-2042**.

Au Canada, consulter notre page Web www.whirlpoolparts.ca ou composer le **1-800-807-6777**.

Nettoyant pour acier inoxydable affresh® :

Aux É.-U., commander la pièce numéro W10355016
Au Canada, commander la pièce numéro W10355016B

Lingettes pour acier inoxydable affresh® :

Aux É.-U., commander la pièce numéro W10355049
Au Canada, commander la pièce numéro W10355049B

- Ouvrir le couvercle au sommet du logement du sachet de conservation pour produits frais en le faisant coulisser.
- Placer le témoin sur le sommet du logement en l'orientant vers l'extérieur.
- Fermer le couvercle en le faisant coulisser et vérifier que le témoin est visible à travers le trou rectangulaire du couvercle.
- REMARQUE :** Le couvercle ne se fermera pas facilement si la bulle du témoin lumineux n'a pas éclaté.

Remplacement du sachet de conservation pour produits frais

Les sachets jetables doivent être remplacés tous les 6 mois ou, lorsque le témoin est entièrement passé du blanc au rouge.

Pour commander des sachets de rechange, nous contacter. Voir "Accessoires" pour des renseignements sur le processus de commande.

- Retirer les sachets usagés du logement du conservateur pour produits frais.
- Retirer le témoin usagé.
- Installer les sachets et le témoin de rechange en suivant les instructions des sections précédentes.

Nettoyant pour appareil ménager et cuisine affresh® :

Aux É.-U., commander la pièce numéro W10355010
Au Canada, commander la pièce numéro W10355010B

Filtre à eau :

Commander la pièce numéro W10413645A ou FILTER2

Filtre à air :

Commander la pièce numéro W10311524 ou AIR1

Conservateur pour produits frais :

Commander la pièce numéro W10346771A ou FRESH1

Lot filtre à eau, filtre à air et conservateur pour produits frais :

Commander la pièce numéro W10413643BL

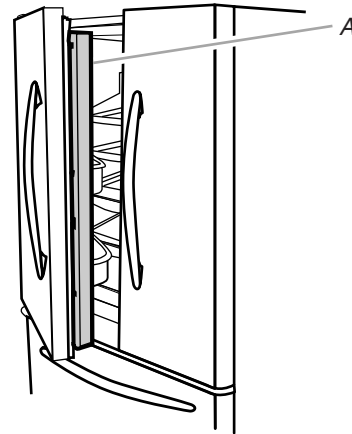
UTILISATION DU RÉFRIGÉRATEUR

Ouverture et fermeture des portes

Il y a deux portes pour le compartiment de réfrigération. Les portes peuvent être ouvertes et fermées séparément ou ensemble.

Il y a sur la porte de gauche du réfrigérateur un joint à charnière verticale.

- Lors de l'ouverture de la porte du côté gauche, le joint à charnière se replie automatiquement vers l'intérieur pour qu'il n'y ait pas d'interférence.
- Lorsque les deux portes sont fermées, le joint à charnière assure automatiquement l'étanchéité entre les deux portes.



A. Joint à charnière

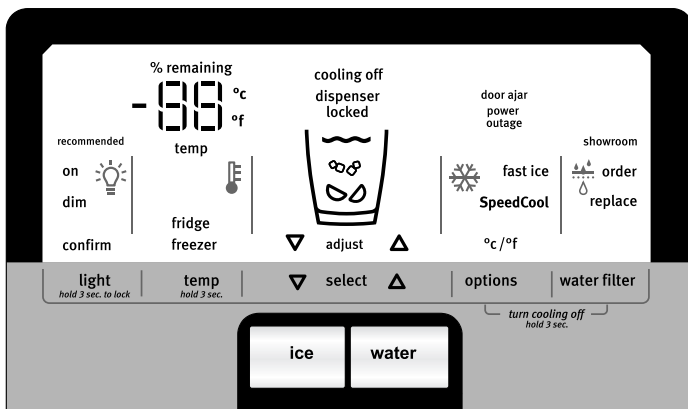
Utilisation des commandes

Les commandes se trouvent au-dessus du distributeur extérieur.

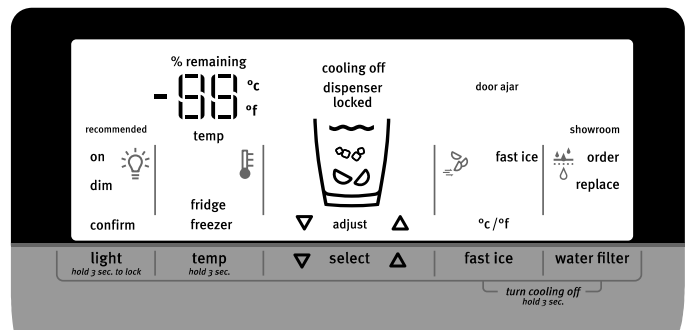
IMPORTANT :

- Selon le modèle, l'appareil peut être équipé de commandes de **Style 1** ou de **Style 2**. Suivre les instructions relatives au modèle utilisé.
- Les commandes de **Style 1** sont illustrées dans les images suivantes, sauf lorsqu'une note explicative indique le contraire.
- L'écran d'affichage du tableau de commande s'éteint automatiquement et entre au mode "veille" lorsque les boutons de commande et les leviers du distributeur n'ont pas été utilisés pendant au moins 2 minutes. Appuyer sur n'importe quel bouton de commande pour réactiver l'écran d'affichage.

Style 1



Style 2



Visualisation et ajustement des points de réglage de température

Pour votre commodité, les commandes de température du réfrigérateur et du congélateur sont réglées aux points de réglage recommandés et établis à l'usine.

Lors de l'installation initiale du réfrigérateur, s'assurer que les commandes de température sont encore pré-réglées aux points de réglage recommandés. Les points de réglage recommandés sont 37°F (3°C) pour le réfrigérateur et 0°F (-18°C) pour le congélateur.

IMPORTANT :

- Attendre 24 heures avant d'ajouter des aliments dans le réfrigérateur. Si on ajoute des aliments avant que le réfrigérateur ne soit complètement refroidi, les aliments risquent de s'abîmer.

REMARQUE : Ajuster les points de réglage à un réglage plus froid que celui qui est recommandé ne refroidira pas les compartiments plus rapidement.

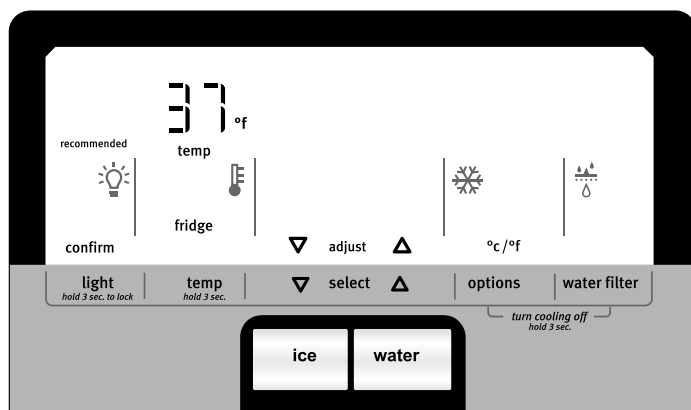
- Si la température est trop tiède ou trop froide dans le réfrigérateur ou le congélateur, vérifier d'abord les événements pour s'assurer qu'ils ne sont pas obstrués, avant de régler les commandes.
 - Les points de réglage recommandés doivent être adaptés à une utilisation domestique normale de l'appareil. Les réglages sont faits correctement lorsque le lait ou le jus sont aussi froids que vous l'aimez et lorsque la crème glacée est ferme.
- REMARQUE :** Dans des zones comme un garage ou un porche, la température peut être plus élevée ou plus basse que celle de votre domicile et le taux d'humidité supérieur. Il peut s'avérer nécessaire d'ajuster la température à d'autres réglages que les points de réglage recommandés afin de s'adapter à ces conditions.
 - Attendre au moins 24 heures entre chaque ajustement. Vérifier à nouveau les températures avant de procéder à d'autres ajustements.

Voir les points de réglage de température

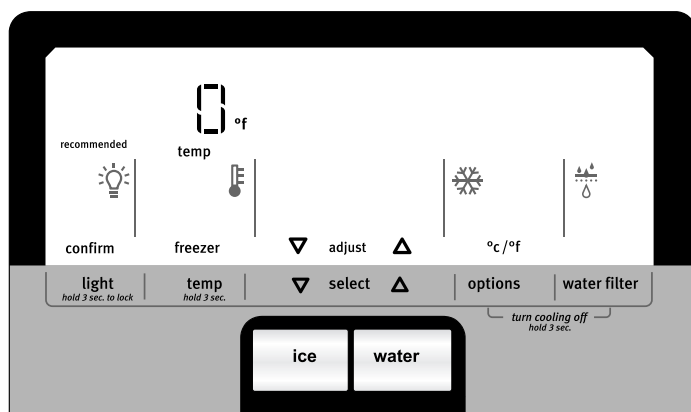
1. Appuyer sur TEMP (température) pendant 3 secondes pour activer le mode Temperature.
2. Lorsque le mode Temperature est activé, appuyer sur TEMP (température) pour alterner entre le réfrigérateur et le congélateur. L'affichage indique le point de réglage de température du compartiment sélectionné, tel qu'illustré.

REMARQUE : Pour voir les températures Celsius, appuyer sur OPTIONS. Pour ramener le réglage de l'affichage en degrés Fahrenheit, appuyer de nouveau sur OPTIONS.

Température recommandée du réfrigérateur



Température recommandée du congélateur



Ajustement des points de réglage de température

Échelle des points de réglage pour le réfrigérateur : 33°F à 45°F (0°C à 7°C).

Échelle des points de réglage pour le congélateur : -5°F à 5°F (-21°C à -15°C).

1. Appuyer sur TEMP (température) pendant 3 secondes pour activer le mode Temperature.
2. Lorsque le mode Temperature est activé, appuyer sur TEMP pour sélectionner la zone de réfrigération. L'affichage indique le point de réglage de température du compartiment sélectionné, tel qu'illustré.
3. Appuyer sur la FLÈCHE de réglage VERS LE HAUT pour augmenter le point de réglage de température, ou sur la FLÈCHE de réglage VERS LE BAS pour le réduire.
4. Après avoir fini d'ajuster le point de réglage du réfrigérateur, appuyer sur TEMP pour modifier l'affichage et faire apparaître le point de réglage du congélateur. Une fois le changement de zone effectué, "freezer" (congélateur) apparaît sur l'écran d'affichage.
5. Appuyer sur la FLÈCHE de réglage VERS LE HAUT pour augmenter le point de réglage de température, ou sur la FLÈCHE de réglage VERS LE BAS pour le réduire.
6. Appuyer sur LIGHT (éclairage) pour sauvegarder et confirmer les nouveaux points de réglages puis revenir à l'écran d'accueil.

REMARQUE : Pour sortir du mode Temp sans sauvegarder les modifications, laisser environ 60 secondes d'inactivité s'écouler. Le mode Temperature s'éteint automatiquement et l'affichage de l'écran redevient normal.

Pour l'ajustement des points de réglage de température, utiliser le tableau suivant comme guide :

CONDITION :	AJUSTEMENT DE LA TEMPÉRATURE :
RÉFRIGÉRATEUR trop froid	Réglage du RÉFRIGÉRATEUR 1° plus haut
RÉFRIGÉRATEUR trop tiède	RÉGLAGE DU RÉFRIGÉRATEUR 1° plus bas
CONGÉLATEUR trop froid	Réglage du CONGÉLATEUR 1° plus haut
CONGÉLATEUR trop tiède / trop peu de glace	RÉGLAGE DU CONGÉLATEUR 1° plus bas

Mise en marche/arrêt du refroidissement

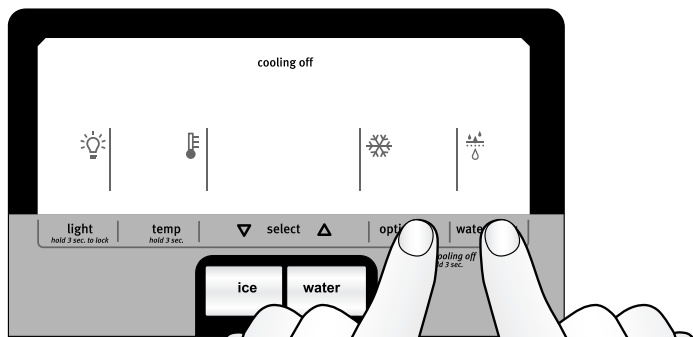
Ni le réfrigérateur, ni le congélateur ne refroidiront lorsque le refroidissement est désactivé. Lorsque le refroidissement est désactivé, "cooling Off" (refroidissement désactivé) apparaît sur l'écran d'affichage.

Désactivation/activation du refroidissement :

Style 1 - Appuyer simultanément sur OPTIONS et WATER FILTER (filtre à eau) pendant 3 secondes, tel qu'illustré.

Style 2 - Appuyer simultanément sur FAST ICE (glaçons rapides) et WATER FILTER (filtre à eau) pendant 3 secondes.

IMPORTANT : Afin d'éviter de modifier d'autres réglages involontairement, appuyer sur les deux boutons exactement au même moment.



Options

Style 1

Pour accéder aux caractéristiques disponibles, appuyer sur le bouton OPTIONS pour permuter entre les choix de caractéristiques suivants (répétés en boucle) :

- **Fast Ice (glaçons rapides)** - La caractéristique Fast Ice est utile en cas d'utilisation intense de glaçons en augmentant la production de glaçons sur une période de 24 heures. La caractéristique Fast Ice reste activée pendant 24 heures à moins d'être annulée manuellement.

REMARQUES :

- Fast Ice ne fonctionne que si la machine à glaçons est en marche. Voir "Machine à glaçons et bac d'entreposage".
- Si l'on désire une production accrue de glaçons en permanence, placer le point de réglage du congélateur à un réglage inférieur. Le réglage du congélateur à une température plus froide peut rendre certains aliments, comme la crème glacée, plus durs.
- **SpeedCool (refroidissement rapide)** - La caractéristique SpeedCool est utile lors de périodes d'utilisation intense du réfrigérateur, de l'ajout d'un grand nombre d'aliments ou d'une température ambiante temporairement élevée. La caractéristique SpeedCool (refroidissement rapide) reste activée pendant 24 heures à moins d'être annulée manuellement.

REMARQUE : Si l'on modifie le point de réglage de température du réfrigérateur, la caractéristique SpeedCool s'éteint.

- **Fast Ice and Speed Cool (glaçons rapides et refroidissement rapide)** - Indique que les deux caractéristiques sont activées.
- **Tout DÉACTIVER (réglage par défaut)** - Toutes les options sont désactivées.

Style 2

- **Fast Ice (glaçons rapides)** - La caractéristique Fast Ice est utile en cas d'utilisation intense de glaçons en augmentant la production de glaçons sur une période de 24 heures. La caractéristique Fast Ice reste activée pendant 24 heures à moins d'être annulée manuellement.

- Appuyer sur le bouton FAST ICE (glaçons rapides) pour activer la caractéristique Fast Ice.

REMARQUES :

- Fast Ice ne fonctionne que si la machine à glaçons est en marche. Voir "Machine à glaçons et bac d'entreposage".
- Si l'on désire une production accrue de glaçons en permanence, placer le point de réglage du congélateur à un réglage inférieur. Le réglage du congélateur à une température plus froide peut rendre certains aliments, comme la crème glacée, plus durs.

Caractéristiques supplémentaires

Statut du filtre à eau

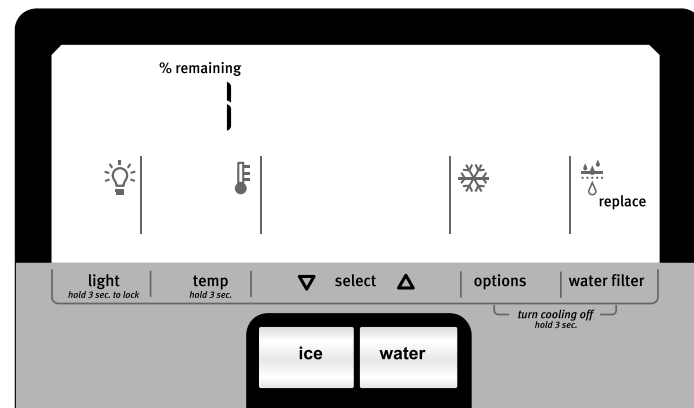
Appuyer sur WATER FILTER (filtre à eau) pour afficher le pourcentage d'utilisation restant du filtre à eau (de 99 % à 1 %).

À NOTER ÉGALEMENT

Les témoins lumineux du filtre à eau vous aideront à savoir quand changer le filtre à eau. Voir "Système de filtration de l'eau".

- **ORDER (commander)** (jaune) – Commander un filtre à eau de rechange.
- **REPLACE (remplacer)** (rouge) – Remplacer le filtre à eau.

REMARQUE : REPLACE (remplacer) reste allumé si aucun filtre n'est installé ou si le filtre n'est pas bien installé.



Alarme de porte entrouverte

L'alarme de porte ouverte avertit l'utilisateur lorsque la porte du réfrigérateur ou le tiroir du congélateur est ouvert depuis au moins 5 minutes et que le système de refroidissement est activé.

Les mots "Door Ajar" (porte ouverte) apparaissent sur l'affichage du tableau de commande et l'alarme de porte ouverte émet un signal sonore d'alerte. Le signal d'alerte retentira toutes les 2 minutes. Fermer les portes et le tiroir pour désactiver le signal sonore. La caractéristique se réinitialise - elle se réactive si on laisse de nouveau la porte ou le tiroir ouvert pendant 5 minutes.

REMARQUE : Pour que le signal d'alerte cesse de retentir tout en gardant les portes ouvertes, comme lors du nettoyage de l'intérieur du réfrigérateur, appuyer sur n'importe quel bouton du tableau de commande. Le signal d'alerte sera temporairement supprimé, mais l'icône de porte ouverte restera affichée sur le tableau de commande du distributeur.

Témoin de coupure de courant (sur certains modèles)

Le témoin de panne de courant indique à l'utilisateur que l'alimentation électrique du réfrigérateur a été interrompue et que la température du congélateur a atteint 18°F (-8°C) ou plus.

Les mots "Power Outage" (panne de courant) apparaissent sur l'affichage du tableau de commande et un signal d'alerte retentit trois fois. "Power Outage" (panne de courant) continue à clignoter jusqu'à ce que l'utilisateur confirme avoir connaissance de la coupure de courant.

- Appuyer sur n'importe quel bouton de commande pour confirmer. L'icône de panne de courant disparaît et le tableau de commande revient à l'écran d'accueil.

Désactivation des signaux sonores (sur certains modèles)

Lorsque le son du tableau de commande est désactivé, tous les signaux sonores - hormis les signaux d'alerte - sont désactivés.

- Pour activer/désactiver les signaux sonores du tableau de commande et du distributeur, appuyer simultanément sur LIGHT (éclairage) et WATER FILTER (filtre à eau) pendant 3 secondes.

Distributeurs d'eau et de glaçons

IMPORTANT :

- Attendre 3 heures pour que le réfrigérateur refroidisse et refroidisse l'eau.
- Prévoir un délai de 24 heures pour la production du premier lot de glaçons. Jeter les trois premiers lots de glaçons produits. Après l'installation, attendre 2 à 3 jours que le bac d'entreposage se remplisse complètement.
- Le système de distribution ne fonctionne pas lorsque la porte du réfrigérateur ou le tiroir du congélateur est ouvert.

Rinçage du circuit d'eau

De l'air piégé dans le système de distribution d'eau peut faire goutter le distributeur d'eau. Après avoir raccordé le réfrigérateur à une source d'alimentation en eau ou remplacé le filtre à eau, vidanger le circuit d'eau.

Le fait de rincer le système de distribution d'eau évacue l'air de la canalisation et du filtre, et conditionne le filtre à eau. Une vidange supplémentaire peut être nécessaire dans certains domiciles.

REMARQUE : Pendant l'évacuation de l'air, de l'eau peut gicler du distributeur.

1. Avec un récipient robuste, appuyer sur la plaque du distributeur d'eau pendant 5 secondes.
2. Relâcher la plaque du distributeur pendant 5 secondes. Répéter les étapes 1 et 2 jusqu'à ce que l'eau commence à couler.
3. Une fois que l'eau commence à couler, continuer d'appuyer puis de relâcher la plaque du distributeur (appui pendant 5 secondes, relâchement pendant 5 secondes) jusqu'à ce qu'un total de 3 gal. (12 L) ait été distribué.

Distributeur d'eau

IMPORTANT :

- Distribuer au moins 1 pte (1 L) d'eau chaque semaine pour maintenir un approvisionnement en eau fraîche.
- Si le débit en provenance du distributeur diminue, cela peut être dû à une faible pression en eau.

Contrôle de la pression de l'eau :

- Une fois le filtre à eau retiré, verser l'équivalent d'une tasse d'eau. Si l'équivalent d'une tasse d'eau est distribué en 8 secondes ou moins, cela signifie que la pression en eau alimentant le réfrigérateur répond au critère minimal.

Mode Showroom (exposition)

Ce mode est réservé au moment où le réfrigérateur est en exposition dans le magasin. Si l'on active involontairement le mode Showroom (exposition), "Showroom" (exposition) apparaît sur l'affichage. Toutes les lampes et les commandes du réfrigérateur seront activées, mais le réfrigérateur ne refroidira pas.

Pour quitter le mode d'exposition :

Style 1 - Appuyer simultanément sur TEMP et OPTIONS pendant 3 secondes

Style 2 - Appuyer simultanément sur TEMP et FAST ICE (glaçons rapides) pendant 3 secondes

- S'il faut plus de 8 secondes à la machine pour distribuer l'équivalent d'une tasse d'eau, cela signifie que la pression en eau alimentant le réfrigérateur est inférieure au niveau recommandé. Voir "Spécifications de l'alimentation en eau" et "Dépannage" pour des suggestions sur la marche à suivre.

Distributeur à glaçons

Les glaçons sont distribués à partir du bac d'entreposage à glaçons. Pour éteindre la machine à glaçons, voir "Machine à glaçons et bac d'entreposage".

Il est possible que le distributeur continue à faire du bruit et à distribuer des glaçons pendant plusieurs secondes après que l'on a relâché le bouton ou la plaque du distributeur.

IMPORTANT : Si les glaçons sont creux ou que leur forme est irrégulière, cela peut être dû à une faible pression en eau. Voir "Spécifications de l'alimentation en eau".

Nettoyage du goulet du distributeur à glaçons :

L'humidité entraîne l'agglomération des glaçons. Des particules de glace peuvent s'accumuler et obstruer le goulet du distributeur à glaçons.

Si l'on n'a pas besoin de distribuer des glaçons régulièrement, il peut s'avérer nécessaire de vider le bac d'entreposage à glaçons et de nettoyer à la fois le goulet de distribution des glaçons, le bac d'entreposage à glaçons et la zone située sous le bac d'entreposage toutes les 2 semaines.

- Si nécessaire, retirer les glaçons obstruant le bac d'entreposage et le goulet de distribution des glaçons à l'aide d'un ustensile en plastique.
- Nettoyer le goulet de distribution des glaçons et le fond du bac d'entreposage à l'aide d'un chiffon tiède et humide puis sécher soigneusement ces deux sections.

Distribution

IMPORTANT :

- Tenir le verre près de l'ouverture du distributeur pour que l'eau ou les glaçons tombent dans le verre.
- Il n'est pas nécessaire d'appliquer beaucoup de pression sur le bouton ou la plaque pour activer le distributeur. Une pression forte n'entraînera pas une distribution plus rapide ou plus importante de glaçons.

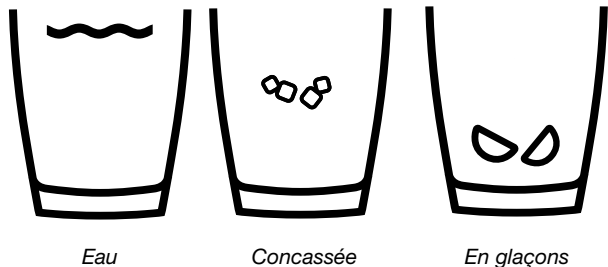
Appuyer sur SELECT (sélection) pour permuter entre les choix suivants (répétés en boucle). Les icônes de l'affichage indiquent la sélection effectuée.

- Eau (par défaut) - Distribue de l'eau
- Glace concassée - Distribue de la glace concassée

REMARQUE : Les glaçons sont concassés avant d'être distribués. Cette action peut causer un court délai lors de la distribution de glace concassée. Le bruit du broyeur de glaçons est normal et la dimension des morceaux de glace peut varier.

- Glaçons - Distribue des glaçons.

REMARQUE : Lorsqu'on passe du mode glace concassée au mode glaçons, quelques onces de glace concassée seront distribuées avec les premiers glaçons.



Distribution d'eau

1. Appuyer sans relâcher sur le bouton WATER (eau) pour lancer la distribution d'eau.
2. Relâcher le bouton pour arrêter la distribution.

OU

1. Appuyer un verre robuste contre la plaque du distributeur.
2. Retirer le verre pour arrêter la distribution.

⚠ AVERTISSEMENT



Risque de coupure

Utiliser un verre robuste pour prendre des glaçons.

Le non-respect de cette instruction peut causer des coupures.

Distribution de glace

1. Appuyer sur le bouton ICE (glaçons) pour lancer la distribution de glaçons.
2. Relâcher le bouton pour arrêter la distribution.

OU

1. Appuyer un verre robuste contre la plaque de distribution.
2. Retirer le verre pour arrêter la distribution.

Distribution d'eau et de glaçons

Deux types de distributeurs seront illustrés sur le tableau de commande. L'affichage indiquera soit le mode Eau et glace concassée, soit le mode Eau et glaçons.

1. Appuyer sur SELECT (sélection) pour choisir la glace concassée ou les glaçons.
2. Appuyer simultanément sur le bouton ICE (glaçons) et sur le bouton WATER (eau). Relâcher les boutons lorsqu'on souhaite arrêter la distribution.

OU

1. Appuyer sur SELECT (sélection) pour choisir la glace concassée ou les glaçons.
2. Appuyer simultanément sur le bouton WATER (eau) et sur la plaque du distributeur. Relâcher le bouton et la plaque lorsqu'on souhaite arrêter la distribution.

Lumière du distributeur

Lorsqu'on utilise le distributeur, l'éclairage s'allume automatiquement.

Pour allumer la lumière lorsque vous ne distribuez pas d'eau :

Appuyer sur LIGHT (éclairage) pour permuter entre les choix suivants (répétés en boucle) :

- OFF (arrêt) (par défaut) - L'éclairage du distributeur est éteint
- ON (marche) - L'éclairage du distributeur est allumé au niveau de luminosité maximal
- DIM (sombre) - L'éclairage du distributeur est allumé à 50 % de sa luminosité maximale

Les lampes du distributeur sont des DEL qui ne peuvent pas être remplacées. Si l'éclairage du distributeur ne semble pas fonctionner, voir "Dépannage" pour plus d'information.

Dispositif de verrouillage du distributeur

Le distributeur peut être arrêté pour un nettoyage facile ou pour éviter la distribution involontaire par de jeunes enfants ou des animaux de compagnie.

REMARQUE : La fonction de verrouillage n'interrompt pas l'alimentation électrique au réfrigérateur, à la machine à glaçons ou à la lampe du distributeur. Elle sert simplement à désactiver les commandes et leviers du distributeur. Pour éteindre la machine à glaçons, voir "Machine à glaçons et bac d'entreposage".

- Pour verrouiller/déverrouiller le distributeur, appuyer sur LIGHT (éclairage) pendant 3 secondes. "Dispenser Locked" (distributeur verrouillé) apparaît sur l'affichage.

Machine à glaçons et bac d'entreposage à glaçons (sur certains modèles)

IMPORTANT : Afin d'éviter une faible production de glaçons ou des glaçons de mauvaise qualité, vidanger le circuit d'eau avant de mettre en marche la machine à glaçons. Voir "Distributeur d'eau".

- Prévoir un délai de 24 heures pour la production du premier lot de glaçons. Jeter les trois premiers lots de glaçons produits. Prévoir un délai de 2 ou 3 jours pour le remplissage complet du bac d'entreposage à glaçons après l'installation.
- La qualité des glaçons dépend de la qualité de l'eau fournie à la machine à glaçons. Éviter de brancher la machine à glaçons à un approvisionnement d'eau adoucie. Les produits chimiques adoucisseurs d'eau (tels que le sel) peuvent endommager certaines pièces de la machine à glaçons et entraîner une mauvaise qualité de glaçons. Si une alimentation d'eau adoucie ne peut être évitée, s'assurer que l'adoucisseur d'eau fonctionne bien et qu'il est bien entretenu.
- Si la glace du bac d'entreposage est agglomérée, la casser à l'aide d'un ustensile en plastique et la jeter. Ne pas utiliser un objet pointu pour briser les glaçons qui se seraient agglomérés dans le bac d'entreposage. Ceci peut endommager le bac d'entreposage et le mécanisme du distributeur.
- Ne rien conserver à l'intérieur du bac à glaçons.

Taux de production des glaçons

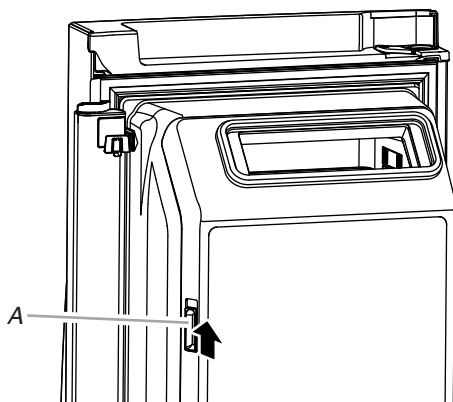
- La machine à glaçons devrait produire 3 lb (1,4 kg) de glaçons environ par jour dans des conditions de fonctionnement normales.
- Pour augmenter la production de glaçons, sélectionner la caractéristique d'augmentation de production de glaçons à partir du menu Options sur l'écran de commande. Voir "Utilisation des commandes".

Style 1 – Machine à glaçons dans le réfrigérateur (sur certains modèles)

La machine à glaçons se trouve sur le côté gauche du plafond du compartiment de réfrigération. Les glaçons sont éjectés dans le bac d'entreposage à glaçons situé sur la porte de gauche du réfrigérateur.

Mise en marche/arrêt de la machine à glaçons

1. Pousser le loquet sur le côté gauche du compartiment à glaçons pour ouvrir la porte.

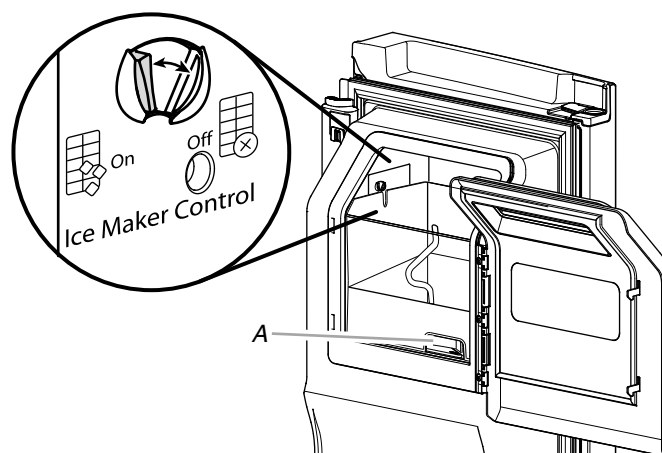


A. Loquet de porte du compartiment à glaçons

2. Mettre en marche la machine à glaçons en plaçant le commutateur à la position ON (marche) (vers la gauche).

REMARQUES :

- Pour arrêter la machine à glaçons manuellement, placer la commande à la position OFF (arrêt) (à droite).
- Votre machine à glaçons comporte un système d'arrêt automatique. Le détecteur arrête automatiquement la production de glaçons si le bac d'entreposage est plein, si la porte est ouverte ou si l'on retire le bac d'entreposage à glaçons. La commande restera en position ON (marche) (vers la gauche).



A. Loquet de déverrouillage du bac d'entreposage à glaçons

3. Fermer la porte du compartiment à glaçons.

Retrait et réinstallation du bac d'entreposage à glaçons

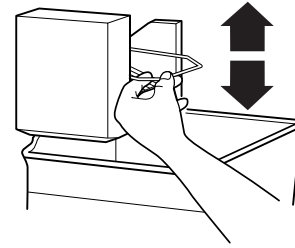
- Retirer le bac d'entreposage à glaçons en insérant les doigts dans le trou situé à la base du bac et serrer le loquet pour libérer le bac du compartiment. Soulever le bac d'entreposage à glaçons et le dégager en ligne droite.
- Réinstaller le bac d'entreposage dans le compartiment à glaçons et appuyer dessus pour s'assurer qu'il est bien en place.

Mise en marche/arrêt de la machine à glaçons

Pour mettre la machine à glaçons en marche, il suffit d'abaisser le bras de commande à broche métallique.

Pour éteindre manuellement la machine à glaçons, soulever le bras de commande à broche métallique à la position OFF (arrêt/ position haute) et attendre l'émission d'un clic.

REMARQUE : La machine à glaçons comporte un système d'arrêt automatique. Au fur et à mesure de la production de glace, les glaçons remplissent le bac d'entreposage à glaçons. Les glaçons soulèvent le bras de commande à broche métallique à la position OFF (position haute). Ne pas forcer le bras de commande à broche métallique vers le haut ou vers le bas.



REMARQUE : Éteindre la machine à glaçons avant de retirer le bac d'entreposage à glaçons pour servir des glaçons ou pour nettoyer le bac. Ceci empêchera les glaçons de tomber de la machine à glaçons et dans le compartiment de congélation. Après avoir réinstallé le bac d'entreposage, mettre en marche la machine à glaçons.

CARACTÉRISTIQUES DU RÉFRIGÉRATEUR

Importants renseignements à savoir au sujet des tablettes et des couvercles en verre :

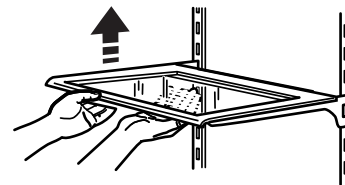
Ne pas nettoyer les tablettes ou couvercles en verre avec de l'eau tiède quand ils sont froids. Les tablettes et les couvercles peuvent se briser s'ils sont exposés à des changements soudains de température ou à un impact tel que coup brusque. Le verre trempé est conçu pour éclater en d'innombrables pièces minuscules. Ceci est normal. Les tablettes et les couvercles en verre sont lourds. Les saisir à deux mains lors de leur dépose afin d'éviter de les faire tomber.

Tablettes du réfrigérateur

Les tablettes de réfrigérateur sont réglables afin de s'adapter à vos besoins de rangement.

Afin de pouvoir trouver plus facilement l'article que l'on cherche, on peut remiser ensemble des aliments semblables dans le réfrigérateur et régler les tablettes pour les adapter aux différentes tailles d'articles. Ceci réduira également la durée d'ouverture de la porte du réfrigérateur et permettra d'économiser de l'énergie.

2. Replacer la tablette/le cadre en dirigeant les crochets arrière de la tablette dans les supports de tablette. Incliner l'avant de la tablette vers le haut jusqu'à ce que les crochets arrière de la tablette se placent dans les supports de tablette.
3. Abaisser l'avant de la tablette et s'assurer que la tablette est bien en position.



Tablettes et cadres de tablettes

Dépose et réinstallation d'une tablette/d'un cadre de tablette :

1. Enlever la tablette/le cadre en l'inclinant vers le haut à l'avant et en la/le soulevant hors des supports de tablette.

Bac à légumes et couvercle du bac à légumes

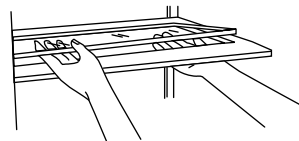
Dépose et réinstallation du/des bac(s) à légumes :

1. Glisser le ou les bacs à légumes en ligne droite vers l'extérieur jusqu'à la butée. Soulever le/les bac(s) à légumes des glissières et le(s) retirer complètement.
2. Réinstaller le(s) bac(s) à légumes en le(s) faisant glisser sur les glissières et en les repoussant au-delà de la butée pour les réinsérer complètement.



Dépose du couvercle du/des bac(s) à légumes :

1. Retirer le/les bac(s) à légumes.
2. En maintenant fermement l'encart de verre d'une main, appuyer sur le milieu de l'encart de verre jusqu'à ce qu'il s'élève au-dessus du cadre en plastique. Faire glisser doucement l'encart de verre vers l'avant pour le retirer.
3. Soulever le cadre du couvercle et le retirer.



Remise en place du couvercle du/des bac(s) à légumes :

1. Placer l'arrière du cadre du couvercle dans les supports des parois latérales du réfrigérateur et abaisser l'avant du cadre du couvercle pour le mettre en place.
2. Faire glisser l'arrière de l'encart de verre dans le cadre du couvercle et abaisser l'avant pour le mettre en place.

Commande d'humidité dans le bac à légumes

On peut contrôler le degré d'humidité dans le bac à légumes étanche. La commande peut être ajustée à n'importe quel réglage entre LOW (faible [ouvert]) et HIGH (élevé [fermé]).

LOW - Déplacer la commande complètement à gauche pour laisser l'air humide s'échapper du bac à légumes pour mieux conserver les fruits et légumes à pelure.

- Fruits : Laver, laisser sécher et garder au réfrigérateur dans un sac en plastique ou dans le bac à légumes. Ne pas laver ni équeuter les baies avant le moment de leur utilisation. Répartir et garder les baies dans leur contenant original dans le bac à légumes ou les conserver sur une tablette du réfrigérateur dans un sac en papier fermé sans être serré.
- Légumes à pelure : Placer dans un sac ou un contenant en plastique et ranger dans le bac à légumes.

HIGH - Déplacer la commande complètement à droite pour retenir l'air humide à l'intérieur du bac à légumes pour mieux conserver les légumes à feuilles frais.

- Légumes à feuilles : Laver à l'eau froide, égoutter et couper ou éliminer les sections endommagées et décolorées. Placer dans un sac ou un contenant en plastique et ranger dans le bac à légumes.

Moisture Control



Tiroir à température contrôlée

IMPORTANT : Cette commande règle la température de ce tiroir uniquement. Elle ne règle pas la température et ne désactive pas le refroidissement des compartiments de réfrigération ou de congélation.

Le tiroir pleine largeur à température contrôlée peut être utilisé pour remiser des grands plateaux de réception, de la viande fraîche, des boissons ou d'autres articles que l'on souhaite conserver à température idéale.

Selon le modèle, la commande peut être soit électronique, soit manuelle. Suivre les instructions relatives au modèle utilisé.

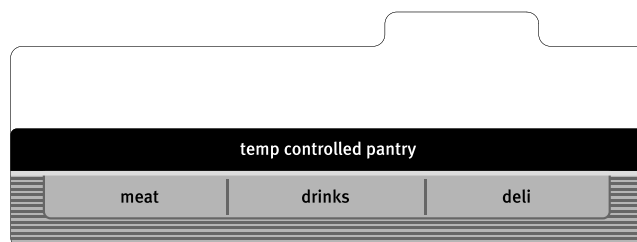
REMARQUE : Ne pas placer de légumes à feuilles dans le tiroir à température contrôlée. Des températures plus froides peuvent endommager les légumes à feuilles.

Style 1 – Commande électronique

Appuyer sur le bouton qui correspond aux articles entreposés dans le tiroir.

- Viande (réglage le plus froid)
- Boissons (par défaut)
- Produits de charcuterie (réglage le moins froid)

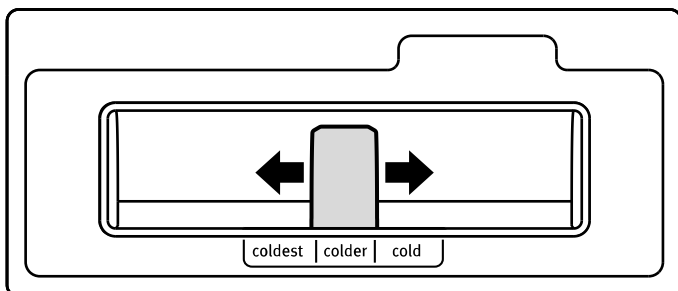
REMARQUE : Si l'on n'appuie sur aucun bouton, le module de commande retourne à DRINKS (boissons), c'est-à-dire le réglage par défaut.



Style 2 – Commande manuelle

Faire coulisser la commande au réglage de température qui correspond le mieux aux articles entreposés dans le tiroir.

- Coldest (Réglage le plus froid) - Viandes
- Colder (Réglage plus froid) - Boissons
- Cold (Réglage froid) - Produits de charcuterie



Dépose et réinstallation du tiroir

Dépose du tiroir :

1. Fermer complètement le tiroir.
2. Soulever l'avant du tiroir et le tirer tout droit pour le retirer.

Réinstallation du tiroir :

1. Pousser les glissières métalliques vers l'arrière du réfrigérateur.
2. Placer le tiroir sur les glissières. Tout en inclinant l'arrière du tiroir vers le haut, faire glisser le tiroir vers l'arrière du réfrigérateur.

Cloison de tiroir

Dépose de la cloison :

1. Tirer le tiroir pour l'ouvrir complètement.
2. Soulever l'avant de la cloison et la retirer.

Réinstallation de la cloison :

1. Positionner la cloison de façon à ce que les inscriptions au bas de la cloison soient alignées avec les inscriptions correspondantes du tiroir.
2. Abaisser la cloison pour la mettre en place.

Guide d'entreposage des viandes

Garder la plus grande partie des viandes dans leur emballage d'origine pourvu qu'il soit hermétique et à l'épreuve de l'humidité. Ré-emballer si nécessaire. Voir le tableau suivant pour les durées d'entreposage. Lorsque la viande doit être entreposée plus longtemps que les durées indiquées, congeler la viande.

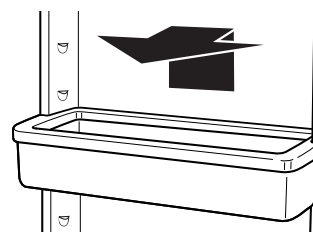
Poisson frais ou crustacés à consommer le jour même de l'achat
 Poulet, boeuf haché, abats comestibles (foie)1 à 2 jours
 Charcuteries, steaks/rôtis3 à 5 jours
 Viandes salaisonées.....7 à 10 jours
 Restes - Couvrir les restes avec une pellicule en plastique ou du papier d'aluminium ou utiliser des contenants en plastique avec couvercles hermétiques.

CARACTÉRISTIQUES DE LA PORTE

Balconnets de porte

Dépose et réinstallation des balconnets :

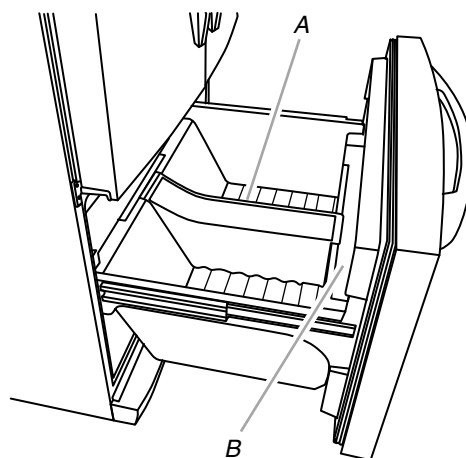
1. Retirer le bac en le soulevant et en le tirant tout droit pour l'extraire.
2. Réinstaller le bac en le faisant glisser au-dessus du support désiré et en l'enfonçant jusqu'à la butée.



CARACTÉRISTIQUES DU CONGÉLATEUR

Espace à pizza et cloison de tiroir

La cloison du tiroir n'est pas amovible. Pour une plus grande souplesse de rangement, on peut déplacer la cloison de quelques centimètres d'un côté ou de l'autre pour entreposer des articles plus gros dans une section donnée du congélateur.



A. Cloison de tiroir
B. Espace à pizza

ENTRETIEN DU RÉFRIGÉRATEUR

Nettoyage

AVERTISSEMENT



Risque d'explosion

Utiliser un produit de nettoyage ininflammable.

Le non-respect de cette instruction peut causer un décès, une explosion ou un incendie.

Les sections de réfrigération et de congélation se dégivrent automatiquement. Toutefois, nettoyer les deux compartiments environ une fois par mois afin d'éviter une accumulation d'odeurs. Essuyer les renversements immédiatement.

Nettoyage des surfaces externes

Consulter les instructions de nettoyage extérieur relatives à votre modèle.

Style 1 – Porte lisse

IMPORTANT : Les dommages au revêtement lisse en raison d'un mauvais usage des produits nettoyants ou de l'utilisation de produits nettoyants non recommandés, ne sont pas couverts par la garantie. Des instruments aiguisés ou coupants dépareront le revêtement.

UTILISER

- ✓ Chiffon doux et propre
- ✓ Eau tiède et savonneuse - utiliser un détergent doux

NE PAS UTILISER

- ✗ Chiffons abrasifs
- ✗ Essuie-tout ou papier journal
- ✗ Tampons de laine d'acier
- ✗ Poudres ou liquides abrasifs
- ✗ Nettoyants à vitre en vaporisateur
- ✗ Ammoniaque
- ✗ Nettoyants acides ou à base de vinaigre
- ✗ Produits nettoyants pour four
- ✗ Fluides inflammables

REMARQUE : Les essuie-tout peuvent érafler et ternir le revêtement transparent de la porte peinte. Afin d'éviter tout dommage éventuel, utiliser des chiffons en tissu doux pour polir et essuyer la porte.

Style 2 – Acier inoxydable

IMPORTANT :

- Les dommages au revêtement en acier inoxydable en raison d'un mauvais usage des produits nettoyants ou de l'utilisation de produits nettoyants non recommandés, ne sont pas couverts par la garantie.

UTILISER	NE PAS UTILISER
✓ Chiffon doux et propre	<ul style="list-style-type: none"> ✗ Chiffons abrasifs ✗ Essuie-tout ou papier journal ✗ Tampons de laine d'acier
✓ Eau tiède savonneuse	<ul style="list-style-type: none"> ✗ Poudres ou liquides abrasifs ✗ Ammoniaque ✗ Nettoyants à base d'agrumes ✗ Nettoyants acides ou à base de vinaigre ✗ Produits nettoyants pour four
✓ Pour les saletés importantes, UNIQUEMENT un nettoyant pour acier inoxydable conçu pour les appareils concernés. Pour commander le nettoyant, voir "Accessoires".	✗ Le nettoyant pour acier inoxydable doit être utilisé sur les pièces en acier inoxydable uniquement! Veiller à ce que le nettoyant et poli pour acier inoxydable n'entre pas en contact avec les pièces de plastique telles que garnitures, couvercles de distributeurs ou joints de porte.

REMARQUES :

- En cas de contact non intentionnel, nettoyer la pièce de plastique avec une éponge et un détergent doux dans de l'eau tiède. Sécher parfaitement avec un linge doux.
- Un nettoyant sous forme liquide ne signifie pas forcément qu'il n'est pas abrasif. Beaucoup de nettoyants liquides formulés pour nettoyer le carrelage et autres surfaces lisses en douceur peuvent tout de même endommager l'acier inoxydable.
- L'acide citrique décolore l'acier inoxydable de façon définitive. Afin d'éviter d'endommager le fini en acier inoxydable du réfrigérateur :

Ne pas laisser les produits suivants pendant une durée prolongée sur le revêtement

- | | |
|------------------|-----------------------------|
| ✗ Moutarde | ✗ Sauces à base d'agrumes |
| ✗ Jus de tomate | ✗ Produits à base d'agrumes |
| ✗ Sauce marinara | |

Lampes

Les lampes du réfrigérateur et du congélateur sont des DEL qui n'ont pas besoin d'être changées. Si les lampes ne s'allument pas lorsque les portes ou le tiroir sont ouverts, téléphoner pour obtenir assistance ou service. Aux É.-U., composer le **1-800-253-1301**. Au Canada, composer le **1-800-807-6777**.

Nettoyage de l'intérieur

1. Débrancher le réfrigérateur ou déconnecter la source de courant électrique.
2. Laver, rincer et sécher à la main les pièces amovibles et les surfaces internes soigneusement. Utiliser une éponge propre ou un linge doux et un détergent doux dans de l'eau tiède.

REMARQUE : Ne pas utiliser de nettoyants puissants ou abrasifs tels que les nettoyants à vitre en atomiseurs, nettoyants à récurer, liquides inflammables, cires nettoyantes, détergents concentrés, agents de blanchiment ou nettoyants contenant du pétrole sur les pièces en plastique, les garnitures intérieures et garnitures de portes ou sur les joints de portes.

3. Brancher le réfrigérateur ou reconnecter la source de courant électrique.

Nettoyage du condensateur

Le condensateur n'a pas besoin d'être nettoyé souvent dans des conditions de fonctionnement domestique normales. Si l'environnement est particulièrement gras, poussiéreux, ou s'il y a des animaux domestiques dans la maison, le condensateur devrait être nettoyé tous les 2 ou 3 mois pour assurer une efficacité maximale.

Si l'on doit nettoyer le condensateur :

1. Débrancher le réfrigérateur ou déconnecter la source de courant électrique.
2. Retirer la grille de la base.
3. Utiliser un aspirateur à brosse douce pour nettoyer la grille, les endroits ouverts derrière la grille et la surface à l'avant du condensateur.
4. Replacer la grille de la base une fois terminé.
5. Brancher le réfrigérateur ou reconnecter la source de courant électrique.

Entretien avant les vacances ou lors d'un déménagement

Vacances

Si vous choisissez de laisser le réfrigérateur en fonctionnement pendant votre absence :

1. Consommer tous les aliments périssables et congeler les autres.
2. Si le réfrigérateur comporte une machine à glaçons automatique et qu'il est raccordé à la source d'approvisionnement en eau du domicile, fermer la source d'approvisionnement en eau du réfrigérateur. Des dommages matériels peuvent subvenir si l'alimentation en eau n'est pas coupée.
3. Si votre machine à glaçons est automatique, éteindre la machine à glaçons.

REMARQUE : Selon votre modèle, soulever le bras de commande métallique à la position OFF (arrêt) (position élevée), ou placer le commutateur sur OFF.

4. Vider le bac à glaçons.

Si vous choisissez d'arrêter le fonctionnement du réfrigérateur avant votre départ :

1. Enlever tous les aliments du réfrigérateur.
2. Si votre réfrigérateur a une machine à glaçons automatique :
 - Fermer l'approvisionnement d'eau de la machine à glaçons au moins une journée à l'avance.
 - Selon le modèle, lorsque la dernière quantité de glaçons est déposée, soulever le bras de commande en broche à la position OFF (élevée) ou appuyer sur le commutateur à la position OFF (arrêt), selon le modèle.
3. Éteindre la/les commande(s) de température. Voir "Utilisation de la/des commande(s)".
4. Nettoyer le réfrigérateur, l'essuyer et bien le sécher.
5. À l'aide d'un ruban adhésif, placer des blocs de caoutchouc ou de bois dans la partie supérieure de chaque porte de façon à ce qu'elles soient suffisamment ouvertes pour permettre l'entrée d'air à l'intérieur, afin d'éviter l'accumulation d'odeurs ou de moisissure.

Déménagement

Lorsque vous déménagez votre réfrigérateur dans une nouvelle habitation, suivre ces étapes pour préparer le déménagement.

1. Si votre réfrigérateur a une machine à glaçons automatique :
 - Fermer l'approvisionnement d'eau de la machine à glaçons au moins une journée à l'avance.
 - Débrancher la canalisation d'eau de l'arrière du réfrigérateur.
 - Selon le modèle, lorsque la dernière quantité de glaçons est déposée, soulever le bras de commande en broche à la position OFF (élevée) ou appuyer sur le commutateur à la position OFF (arrêt).
2. Retirer tous les aliments du réfrigérateur et placer tous les aliments congelés dans de la neige carbonique.
3. Vider le bac à glaçons.
4. Éteindre la/les commande(s) de température. Voir "Utilisation des commandes".
5. Débrancher le réfrigérateur.
6. Nettoyer, essuyer et sécher à fond.
7. Retirer toutes les pièces amovibles, bien les envelopper et les attacher ensemble à l'aide de ruban adhésif pour qu'elles ne bougent pas ni ne s'entrechoquent durant le déménagement.
8. Selon le modèle, soulever le devant du réfrigérateur pour qu'il roule plus facilement OU soulever les vis de nivellement pour qu'elles n'égratignent pas le plancher. Voir "Ajustement de la/des porte(s)".
9. Fermer les portes à l'aide de ruban adhésif et fixer le cordon d'alimentation électrique au dos du réfrigérateur à l'aide de ruban adhésif.

Lorsque vous arriverez à votre nouvelle habitation, remettre tout en place et consulter la section "Instructions d'installation" pour les instructions de préparation. D'autre part, si votre réfrigérateur a une machine à glaçons automatique, rappelez-vous de raccorder l'approvisionnement d'eau au réfrigérateur.

DÉPANNAGE

Essayer d'abord les solutions suggérées ici ou visiter notre site Internet et la FAQ (foire aux questions) pour éviter le coût d'une intervention de dépannage.
Aux É.-U., www.maytag.com Au Canada, www.maytag.ca

Fonctionnement

⚠ AVERTISSEMENT



Risque de choc électrique

Brancher sur une prise à 3 alvéoles reliée à la terre.

Ne pas enlever la broche de liaison à la terre.

Ne pas utiliser un adaptateur.

Ne pas utiliser un câble de rallonge.

Le non-respect de ces instructions peut causer un décès, un incendie ou un choc électrique.

PROBLÈME	CAUSES POSSIBLES	SOLUTIONS
Le réfrigérateur ne fonctionne pas	Inspecter l'alimentation électrique	Brancher le cordon d'alimentation dans une prise à 3 alvéoles reliée à la terre. Ne pas utiliser de câble de rallonge. S'assurer que la prise est alimentée. Brancher une lampe pour voir si la prise fonctionne. Remettre un disjoncteur qui serait ouvert en marche. Remplacer tout fusible grillé. REMARQUE : Si le problème persiste, appeler un électricien.
	Inspecter les commandes	S'assurer que les commandes sont activées. Voir "Utilisation des commandes".
	Nouvelle installation	Accorder 24 heures après l'installation pour que le réfrigérateur se refroidisse complètement. REMARQUE : Ajuster les commandes de température au réglage le plus froid ne permettra pas aux compartiments de se refroidir plus vite.
	Commande du réfrigérateur au mode démonstration (sur certains modèles)	Si le réfrigérateur est au mode démonstration, le refroidissement est éteint et "Showroom" (démonstration) s'allume sur le tableau de commande. Voir "Utilisation des commandes" pour plus d'informations.

PROBLÈME	CAUSES POSSIBLES	SOLUTIONS
Le moteur semble fonctionner excessivement	Compresseur et ventilateurs haute efficacité	Un réfrigérateur éconergique de grande taille fonctionne à une vitesse inférieure, plus éconergique que pour d'autres appareils.
	La température de la pièce ou la température extérieure est élevée.	Il est normal que le réfrigérateur fonctionne pendant plus longtemps dans ces conditions. Pour une performance optimale, placer le réfrigérateur dans un environnement d'intérieur à température stable. Voir "Exigences d'emplacement".
	Une grande quantité d'aliments tièdes a été récemment ajoutée.	Lorsque l'on place des aliments tièdes dans le réfrigérateur, l'appareil fonctionne plus longtemps : jusqu'à ce que l'air soit refroidi à la température désirée.
	La/les portes sont ouvertes fréquemment ou pendant trop longtemps.	L'air tiède qui entre dans le réfrigérateur prolonge son fonctionnement. Ouvrir la porte moins souvent.
	La porte du réfrigérateur ou du tiroir du congélateur est entrouverte.	Vérifier que le réfrigérateur est de niveau. Voir "Fermeture et alignement de la porte". Empêcher les aliments et les récipients d'obstruer la porte.
	La commande du réfrigérateur est placée à un réglage trop froid.	Ajuster la commande du réfrigérateur à un réglage moins froid jusqu'à ce que la température du réfrigérateur souhaitée soit atteinte.
Les ampoules ne fonctionnent pas	Le joint de la porte ou du tiroir est sale, usagé ou craquelé.	Nettoyer ou remplacer le joint d'étanchéité. Si le joint de la porte présente des fuites, le réfrigérateur fonctionnera plus longtemps pour maintenir la température souhaitée.
	Votre réfrigérateur est équipé de lampes DEL qui n'ont pas besoin d'être changées.	Si le réfrigérateur est alimenté et que les lampes ne s'allument pas lorsque les portes ou le tiroir sont ouverts, téléphoner pour obtenir assistance ou service.
	La lumière du distributeur est réglée à OFF.	Sur certains modèles, la lumière du distributeur ne fonctionne que si l'on appuie sur un levier du distributeur. Si l'on souhaite que la lumière du distributeur reste allumée continuellement, voir "Distributeurs d'eau et de glaçons".
La commande de température du tiroir garde-manger ne s'allume pas/ne réagit pas	Les portes ont été laissées ouvertes pendant plus de 10 minutes.	Fermer les portes et le bac à réinitialiser puis les rouvrir pour reprendre la tâche surlignée.
	Le réfrigérateur est en mode Cooling Off (refroidissement désactivé)	Quitter le mode Cooling Off (refroidissement désactivé). Voir "Utilisation de la/des commande(s)".
	Le processus d'initialisation des commandes du réfrigérateur ne s'est pas exécuté parfaitement.	Débrancher le réfrigérateur et attendre 5 secondes. Brancher le réfrigérateur et attendre 30 secondes avant d'ouvrir l'une des portes du réfrigérateur ou de toucher le tableau de commande.

Bruits

Pour écouter des bruits qui font partie du fonctionnement normal du réfrigérateur, rendez-vous à la section Product Help/FAQ du site Web de notre marque et cherchez le paragraphe "Bruits normaux".

PROBLÈME	CAUSES POSSIBLES	SOLUTIONS
Le réfrigérateur semble bruyant Voici une liste de sons normaux, accompagnée d'explications.	Le compresseur de votre nouveau réfrigérateur régule la température plus efficacement tout en utilisant moins d'énergie; il fonctionne aussi plus silencieusement. Les bruits de fonctionnement étant réduits, vous remarquerez peut-être des bruits inconnus qui sont en réalité normaux.	
Le bruit du compresseur qui fonctionne plus longtemps que prévu.	Compresseur et ventilateurs haute efficacité	Un réfrigérateur éconergique de grande taille fonctionne à une vitesse inférieure, plus éconergique que d'autres appareils.
Pulsation/Bruissement	Les ventilateurs/le compresseur qui s'ajustent pour optimiser la performance durant le fonctionnement normal du compresseur	Ceci est normal.
Éclatement	Contraction/expansion des parois internes, surtout lors du refroidissement initial	Ceci est normal.

PROBLÈME	CAUSES POSSIBLES	SOLUTIONS
Sifflement/Égouttement	Écoulement de liquide réfrigérant ou d'huile dans le compresseur	Ceci est normal.
Vibration	Le réfrigérateur n'est peut-être pas stable	Ajuster les vis de nivellement et abaisser le pied de nivellement avant de façon à ce qu'il soit bien en contact avec le plancher. Voir "Fermeture et alignement de la porte".
Entrechoquement/martèlement	Mouvement des conduites d'eau contre la caisse du réfrigérateur ou d'objets posés sur le dessus de la caisse du réfrigérateur	Éloigner l'excédent de canalisation d'eau de la caisse du réfrigérateur ou la fixer dessus. Voir "Raccordement de l'eau" ou retirer les objets du sommet du réfrigérateur.
Grésillement	De l'eau goutte sur l'élément de chauffage durant le programme de dégivrage	Ceci est normal.
Écoulement d'eau/gargouillement	Peut se produire lorsque la glace fond lors du programme de dégivrage et que l'eau s'écoule dans le plateau de dégivrage	Ceci est normal.
Bourdonnement et déclic	Peut se produire lorsque le robinet d'eau s'ouvre et se referme pour remplir la machine à glaçons	Si le réfrigérateur est connecté à une canalisation d'eau, ceci est normal. Si le réfrigérateur n'est pas connecté à une canalisation d'eau, ARRÊTER la machine à glaçons.
Déclic répétitif	Électrovanne de l'évaporateur double régulant l'opération de refroidissement	Vous pouvez entendre des déclics répétitifs rapides lorsque l'appareil alterne entre l'un des compartiments de réfrigération et l'autre. Ceci est normal.
Craquement/Broyage	Peut se produire lorsque la glace est éjectée du moule à glaçons	Ceci est normal.
Patatras	Peut se produire lorsque les glaçons tombent dans le bac d'entreposage	Ceci est normal.

Température et humidité

PROBLÈME	CAUSES POSSIBLES	SOLUTIONS
La température est trop élevée	Le réfrigérateur vient d'être installé.	Accorder 24 heures après l'installation pour que le réfrigérateur se refroidisse complètement.
	Le refroidissement est désactivé.	Activer le refroidissement. Voir "Utilisation de la/des commande(s)".
	Le réglage des commandes n'est pas adapté à l'environnement de l'appareil.	Régler les commandes à un cran plus froid. Vérifier la température au bout de 24 heures. Voir "Utilisation des commandes".
	La/les portes sont ouvertes fréquemment ou ne sont pas complètement fermées.	Ceci permet à l'air chaud de pénétrer dans le réfrigérateur. Minimiser les ouvertures de porte et garder les portes complètement fermées.
	Une grande quantité d'aliments a été récemment ajoutée.	Attendre quelques heures pour permettre au réfrigérateur de revenir à une température normale.
La température est trop basse dans le réfrigérateur/bac à légumes	L'ouverture/les ouvertures d'évacuation du réfrigérateur est/sont obstruée(s).	Si l'ouverture d'évacuation située à l'angle supérieur arrière gauche du compartiment de réfrigération est obstruée par des articles placés directement devant, le réfrigérateur sera trop froid. Éloigner les objets de l'ouverture d'évacuation.
	Le réglage des commandes n'est pas adapté à l'environnement de l'appareil.	Régler les commandes à un réglage plus chaud. Vérifier la température au bout de 24 heures. Voir "Utilisation des commandes".
	Le bac d'entreposage à glaçons est mal installé.	Voir "Machine à glaçons et bac d'entreposage."

PROBLÈME	CAUSES POSSIBLES	SOLUTIONS
La température est trop basse dans les garde-manger	Le réglage des commandes n'est pas adapté aux articles entreposés dans le tiroir.	Ajuster le réglage de température. Voir "Tiroir à température contrôlée" dans la section "Caractéristiques du réfrigérateur".
Il y a accumulation d'humidité à l'intérieur. REMARQUE : Une certaine accumulation d'humidité est normale.	La pièce est humide	Un environnement humide contribue à l'accumulation d'humidité.
	La/les portes sont ouvertes fréquemment ou ne sont pas complètement fermées.	Cela permet à l'air humide de pénétrer dans le réfrigérateur. Minimiser les ouvertures de porte et garder les portes complètement fermées.
	La porte est bloquée en position ouverte	Déplacer les emballages d'aliments pour libérer la porte.
	Un compartiment ou une tablette bloque le passage	Replacer le compartiment ou la tablette en position correcte.
	Entreposage de liquides dans des récipients ouverts	Cela ajoute de l'humidité à l'intérieur du réfrigérateur. Bien fermer tous les récipients.
Du givre/de la glace s'est accumulé(e) dans le compartiment de congélation	On ouvre ou laisse ouvert souvent le tiroir	Minimiser les ouvertures du tiroir et fermer complètement le tiroir après utilisation.
	Joint de la porte en mauvais état	S'assurer que les joints de porte sont en parfait contact avec la caisse du réfrigérateur pour que l'étanchéité soit assurée.
	Les commandes de température ne sont pas correctement réglées	Voir "Utilisation des commandes" pour connaître les réglages de température recommandés.

Glaçons et eau

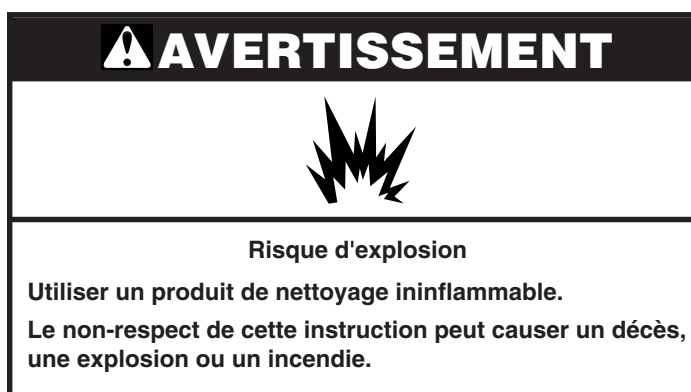
PROBLÈME	CAUSES POSSIBLES	SOLUTIONS
La machine à glaçons ne produit pas ou pas suffisamment de glaçons	Le réfrigérateur n'est pas raccordé à l'alimentation en eau ou le robinet d'arrêt d'eau n'est pas ouvert.	Brancher le réfrigérateur à l'alimentation en eau et ouvrir le robinet d'arrêt d'eau complètement.
	La canalisation de la source d'eau du domicile comporte une déformation.	Une déformation dans la canalisation peut réduire l'écoulement d'eau. Redresser la canalisation d'eau.
	La machine à glaçons n'est pas allumée.	S'assurer que la machine à glaçons est en marche. Voir "Machine à glaçons et bac d'entreposage."
	Le réfrigérateur vient d'être installé.	Attendre 24 heures après l'installation de la machine à glaçons pour que la production de glaçons commence. Attendre 3 jours pour que la production de glaçons soit complète.
	La porte du réfrigérateur n'est pas complètement fermée.	Bien fermer la porte. Si elle ne ferme pas complètement, voir "Les portes ne ferment pas complètement".
	Une grande quantité de glaçons a été récemment prélevée.	Accorder suffisamment de temps à la machine à glaçons pour produire plus de glace. Voir "Machine à glaçons et bac d'entreposage" pour les taux de production de glaçons.
	Un glaçon est coincé dans le bras éjecteur de la machine à glaçons.	Enlever le glaçon du bras éjecteur avec un ustensile en plastique.
	Un filtre à eau est installé sur le réfrigérateur.	Enlever le filtre à eau et faire fonctionner la machine à glaçons. Si le volume de glace augmente, le filtre est probablement obstrué ou mal installé. Remplacer le filtre ou le réinstaller correctement.
	Un système de filtration de l'eau par osmose inverse est raccordé à votre alimentation en eau froide.	Ceci peut réduire la pression de l'eau. Voir "Spécifications de l'alimentation en eau".

PROBLÈME	CAUSES POSSIBLES	SOLUTIONS
Les glaçons sont creux ou petits REMARQUE : Cela indique une faible pression de l'eau.	Le robinet d'arrêt de la canalisation d'eau n'est pas complètement ouvert.	Ouvrir le robinet d'arrêt complètement.
	La canalisation de la source d'eau du domicile comporte une déformation.	Une déformation dans la canalisation peut réduire l'écoulement d'eau. Redresser la canalisation d'eau.
	Un filtre à eau est installé sur le réfrigérateur.	Enlever le filtre et faire fonctionner la machine à glaçons. Si la qualité des glaçons s'améliore, le filtre est probablement obstrué ou mal installé. Remplacer le filtre ou le réinstaller correctement.
	Un système de filtration de l'eau par osmose inverse est raccordé à votre alimentation en eau froide.	Ceci peut réduire la pression de l'eau. Voir "Spécifications de l'alimentation en eau".
	D'autres questions concernant la pression de l'eau?	Appeler un plombier agréé et qualifié.
Mauvais goût, mauvaise odeur ou couleur grise des glaçons ou de l'eau	Lorsqu'on vient d'installer un réfrigérateur, le système de distribution d'eau doit être rincé.	Rincer le système de distribution d'eau. Voir "Distributeurs d'eau et de glaçons" pour des instructions sur le rinçage du système de distribution d'eau.
	Raccords de plomberie récemment installés ou remplacés. Des raccords de plomberie neufs peuvent entraîner une décoloration ou un mauvais goût des glaçons et de l'eau.	Jeter les glaçons et laver le bac d'entreposage à glaçons. Rincer le circuit d'eau avec 3 gal. (12 L) d'eau. Accorder 24 heures à la machine à glaçons pour produire des nouveaux glaçons et jeter les 3 premiers lots de glaçons produits.
	La canalisation d'alimentation en eau est différente de celle qui est recommandée.	L'utilisation d'une canalisation en cuivre ou d'une canalisation d'alimentation en eau Whirlpool est recommandée - pièce numéro 8212547RP. Voir "Raccordement à la canalisation d'eau".
	Les glaçons ont été conservés pendant trop longtemps.	Jeter les glaçons. Laver le bac d'entreposage à glaçons. Accorder 24 heures pour la fabrication de nouveaux glaçons.
	L'eau a été conservée pendant trop longtemps.	Distribuer au moins 1 pte (1 L) d'eau chaque semaine pour maintenir un approvisionnement en eau fraîche.
	Les glaçons ont pris l'odeur des aliments.	Utiliser des emballages hermétiques et à l'épreuve de l'humidité pour conserver les aliments.
	L'eau contient des minéraux (tels que le soufre).	L'installation d'un filtre à eau peut être requise afin d'enlever les minéraux.
	Un filtre à eau est installé sur le réfrigérateur.	Une décoloration grise ou foncée de la glace indique que le système de filtration de l'eau nécessite un rinçage supplémentaire. Rincer le circuit d'eau avant d'installer ou d'utiliser un nouveau filtre à eau. Voir "Distributeurs d'eau et de glaçons" pour des instructions sur le rinçage du filtre à eau.
	Le filtre à eau doit être remplacé.	Remplacer le filtre à eau jetable au moins tous les 6 mois ou lorsque signalé. Voir "Système de filtration de l'eau".

PROBLÈME	CAUSES POSSIBLES	SOLUTIONS
Le distributeur d'eau et de glaçons ne fonctionne pas correctement	Le réfrigérateur n'est pas raccordé à l'alimentation en eau ou le robinet d'arrêt d'eau n'est pas ouvert.	Brancher le réfrigérateur à l'alimentation en eau et ouvrir complètement le robinet d'arrêt d'eau.
	La canalisation de la source d'eau du domicile comporte une déformation	Une déformation dans la canalisation d'eau peut réduire le débit au distributeur d'eau et entraîner la formation de glaçons creux ou de forme irrégulière. Redresser la canalisation d'eau.
	Le réfrigérateur vient d'être installé.	Rincer et remplir le système de distribution d'eau. Voir "Distributeurs d'eau et de glaçons".
	La pression en eau du domicile est inférieure à 35 lb/po ² (241 kPa).	La pression en eau du domicile détermine le débit depuis le distributeur. Voir "Spécifications de l'alimentation en eau".
	Un système de filtration de l'eau par osmose inverse est raccordé à votre alimentation en eau froide.	Un système de filtration de l'eau par osmose inverse peut réduire la pression de l'eau. Voir "Spécifications de l'alimentation en eau".
	Le filtre à eau est peut-être obstrué.	Enlever le filtre à eau et faire fonctionner le distributeur. Si le débit d'eau augmente, cela signifie que votre filtre est obstrué et doit être remplacé. Voir "Système de filtration de l'eau".
	Le filtre à eau est mal installé	Enlever le filtre à eau et le réinstaller. Voir "Système de filtration de l'eau".
	La porte du réfrigérateur ou le tiroir du congélateur n'est pas complètement fermé(e).	Bien fermer la porte. Si elle ne ferme pas complètement, voir "Les portes ne ferment pas complètement".
	Les portes du réfrigérateur ont été récemment enlevées.	S'assurer que l'assemblage câble/tuyau du distributeur d'eau a été correctement reconnecté au sommet de la porte du réfrigérateur. Voir "Portes du réfrigérateur et du tiroir".
Des glaçons obstruent le bac d'entreposage ou le goulet de distribution des glaçons.	À l'aide d'un ustensile en plastique si nécessaire, retirer les glaçons obstruant le bac d'entreposage ou le goulet de distribution des glaçons. Nettoyer le goulet de distribution et le fond du bac d'entreposage à l'aide d'un chiffon tiède et humide puis sécher soigneusement ces deux sections. Pour éviter toute obstruction et maintenir un approvisionnement frais en glaçons, vider le bac d'entreposage et nettoyer à la fois le bac d'entreposage et le goulet de distribution toutes les 2 semaines.	
Le distributeur de glaçons se bloque lorsqu'il distribue de la glace "concassée"	De la glace concassée obstrue le goulet de distribution de glaçons.	Pour dégager le distributeur à glaçons, passer de la glace concassée au mode glaçons. Revenir ensuite à la glace concassée.
De l'eau suinte ou goutte du système de distribution REMARQUE : Il est normal que quelques gouttes s'écoulent de la machine après que l'on a distribué de l'eau.	Le verre n'a pas été maintenu sous le distributeur assez longtemps.	Maintenir le verre sous le distributeur pendant 2 à 3 secondes après avoir relâché le levier du distributeur.
De l'eau continue de goutter du distributeur - davantage que seulement quelques gouttes.	Le réfrigérateur vient d'être installé.	Le fait de rincer le circuit d'eau permet d'éliminer l'air retenu dans les canalisations, ce qui entraîne l'égouttement du distributeur. Rincer le système de distribution d'eau. Voir "Distributeurs d'eau et de glaçons".
	Le filtre à eau a été récemment installé ou changé.	Le fait de rincer le circuit d'eau permet d'éliminer l'air retenu dans les canalisations, ce qui entraîne l'égouttement du distributeur. Rincer le système de distribution d'eau. Voir "Distributeurs d'eau et de glaçons".
De l'eau fuit par l'arrière du réfrigérateur	Les raccords de la canalisation d'eau n'ont pas été complètement serrés	Voir "Raccordement de l'eau".
	Les portes ont été récemment retirées et le raccord de la canalisation en eau n'a pas été complètement serré	Voir "Portes du réfrigérateur et tiroir".

PROBLÈME	CAUSES POSSIBLES	SOLUTIONS
L'eau du distributeur est tiède	L'eau du distributeur est réfrigérée à 50°F (10°C).	Ceci est normal.
	Le réfrigérateur vient d'être installé.	Attendre 24 heures après l'installation pour que l'alimentation en eau refroidisse complètement.
	Une grande quantité d'eau a été récemment distribuée.	Accorder 3 heures pour que l'alimentation en eau se refroidisse complètement.
	On n'a pas distribué d'eau récemment.	Le premier verre d'eau peut ne pas être froid. Jeter le premier verre d'eau distribué.
	Le réfrigérateur n'est pas raccordé à une canalisation d'arrivée d'eau froide.	S'assurer que le réfrigérateur est raccordé à la canalisation d'arrivée d'eau froide. Voir "Spécifications de l'alimentation en eau".

Portes



Pour voir une vidéo détaillant l'ajustement et l'alignement des portes, consulter la section Product Help/FAQ du site Web de notre marque et chercher "fermeture et alignement des portes".

PROBLÈME	CAUSES POSSIBLES	SOLUTIONS
Les portes ne ferment pas complètement	La porte est bloquée en position ouverte.	Déplacer les emballages d'aliments pour libérer la porte.
	Un compartiment ou une tablette bloque le passage.	Replacer le compartiment ou la tablette en position correcte.
	Récemment installé	Enlever tous les matériaux d'emballage.
Les portes sont difficiles à ouvrir	Les joints de la porte sont collants ou sales.	Nettoyer les joints et les surfaces de contact au savon doux et à l'eau tiède. Rincer et sécher avec un linge doux.
Les portes semblent mal alignées	Les portes doivent être alignées ou l'aplomb du réfrigérateur effectué.	Voir "Mise à niveau du réfrigérateur, fermeture et alignement des portes".
Le réfrigérateur est instable ou roule vers l'avant lorsqu'on ouvre ou ferme les portes	Les pieds de nivellement sont fermement en appui sur le sol	Retirer la grille de la base. Tourner les deux pieds de stabilisation (un de chaque côté) du même nombre de tours dans le sens horaire, jusqu'à ce qu'ils soient fermement en appui sur le sol. Voir "Mise à niveau du réfrigérateur, fermeture et alignement des portes".

FEUILLE DE DONNÉES SUR LA PERFORMANCE

Système de filtration d'eau

Modèle P6WB2L/P6RFWB2 Capacité 200 gallons (757 litres)
Modèle P6WB2NL/P6RFWB2 Capacité 200 gallons (757 litres)



Produit testé et certifié par NSF International en vertu de la norme NSF/ANSI 42 (réduction du goût et de l'odeur du chlore, et particules de classe I*) et en vertu de la norme NSF/ANSI 53 (réduction de kystes actifs, amiante, plomb, lindane, toxaphène, atrazine et 2,4 - D).

Ce produit a été testé selon les normes NSF/ANSI 42 et 53 pour la réduction des substances énumérées ci-dessous. La concentration des substances indiquées dans l'eau entrant dans le système a été réduite à une concentration moindre ou égale à la limite permmissible pour l'eau qui quitte le système, tel que spécifié dans les normes NSF/ANSI 42 et 53.

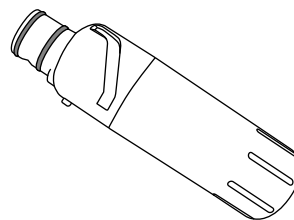
Réd. de substances Effets esthétiques	Critères de réduction NSF	Affluent moyen	Concentration dans l'eau à traiter	Effluent maximal	% de réd. minimale	% de réd. moyenne
Chlore goût/odeur Particules (classe I*)	réduction de 50 % réduction de 85 %	2,0 mg/L 7 300 000 #/mL	2,0 mg/L ± 10 % Au moins 10 000 particules/mL	0,20 mg/L 75 000 #/mL**	97 99	97,2 99,4
Réduction des contaminants	Critères de réduction NSF	Affluent moyen	Concentration dans l'eau à traiter	Effluent maximal	% de réd. minimale	% de réd. moyenne
Kystes actifs [†]	99,95 %	160 000/L	50 000/L min.	54/L [†]	99,97	99,99
Amiante	99 %	87 MFL	10 [†] à 10 ⁶ fibres/L ^{††}	0,17 MFL	99	99
Plomb : à pH 6,5	0,010 mg/L	0,160 mg/L	0,15 mg/L ± 10 %	0,001 mg/L	99,4	99,4
Plomb : à pH 8,5	0,010 mg/L	0,140 mg/L	0,15 mg/L ± 10 %	0,005 mg/L	98,6	98,6
Lindane	0,0002 mg/L	0,0019 mg/L	0,002 mg/L ± 10 %	0,00002 mg/L	98,9	99
Toxaphène	0,003 mg/L	0,014 mg/L	0,015 mg/L ± 10 %	0,001 mg/L	93	93
Atrazine	0,003 mg/L	0,0094 mg/L	0,009 mg/L ± 10 %	0,0005 mg/L	94,5	94,7
2,4 - D	0,07 mg/L	0,220 mg/L	0,210 mg/L ± 10 %	0,028 mg/L	87,5	96,1

Paramètres de test : pH = 7,5 ± 0,5 à moins d'indications contraires. Débit = 0,43 gpm (1,6 Lpm). Pression = 60 lb/po² (413,7 kPa). Temp. = 68°F à 71,6°F (20°C à 22°C). Capacité de service nominale = 200 gallons (757 litres).

- Il est important que les critères de fonctionnement, d'entretien et de remplacement du filtre soient respectés pour que le produit donne le rendement annoncé. Des dommages matériels peuvent survenir si toutes les instructions ne sont pas respectées.
- Utiliser la cartouche de remplacement P6RFWB2, pièce n° W10413645A. Prix au détail suggéré en 2012 de 39,99 \$US/49,99 \$CAN. Les prix sont sujets à modification sans préavis.
 - Style 1** – Lorsque Order Filter (commander filtre) s'illumine en jaune, commander un nouveau filtre. Lorsque Replace Filter (remplacer filtre) s'illumine en rouge, il est recommandé de remplacer le filtre.
 - Style 2** – Appuyer sur OPTIONS et sélectionner Filter Status (statut du filtre) pour vérifier le statut de votre filtre à eau. Lorsque le statut du filtre affiche 10 %, commander un nouveau filtre. Lorsque le statut du filtre affiche 0 %, il est recommandé de remplacer le filtre.
 - Style 3** – Appuyer sur FILTER STATUS (statut du filtre) pour vérifier le statut de votre filtre à eau. Lorsque le statut du filtre affiche 10 %, commander un nouveau filtre. Lorsque le statut du filtre affiche 0 %, il est recommandé de remplacer le filtre.
- Après avoir remplacé le filtre, vidanger le système d'eau. Voir "Distributeurs d'eau et de glaçons" ou "Distributeur d'eau".
- Ces contaminants ne sont pas nécessairement présents dans votre approvisionnement d'eau. Même si le test a été effectué dans des conditions de laboratoires standard, le rendement réel peut varier.
- Le produit doit être utilisé pour l'eau froide seulement.
- Le circuit d'eau doit être installé conformément aux lois et règlements locaux et à ceux de l'État concerné.
- Ne pas utiliser pour le filtrage d'une eau microbiologiquement polluée ou de qualité inconnue en l'absence d'un dispositif de désinfection adéquat avant ou après le système. Les systèmes certifiés pour la réduction de kyste peuvent être utilisés pour l'eau désinfectée qui peut contenir des kystes filtrables.
- Consulter la section "Garantie" pour obtenir le nom, l'adresse et le numéro de téléphone du fabricant.
- Consulter la section "Garantie" pour voir la garantie limitée du fabricant.

Directives d'application/ Paramètres d'approvisionnement en eau

Source d'eau	Collectivité ou puits
Pression de l'eau	30 - 120 lb/po ² (207 - 827 kPa)
Température de l'eau	33° - 100°F (0,6° - 37,8°C)
Débit nominal	0,43 gpm (1,6 L/min) à 60 lb/po ²



*Classe I - taille des particules : > 0,5 à <1 um

**Exigence de test : au moins 100 000 particules/mL (poussière de test fine AC).

[†]Cas de la filtration de kystes de *Cryptosporidium parvum*

^{††}Fibres de longueur supérieure à 10 um

GARANTIE LIMITÉE DES APPAREILS DE RÉFRIGÉRATION MAYTAG®

GARANTIE LIMITÉE DURANT LA PREMIÈRE ANNÉE (PIÈCES ET MAIN-D'ŒUVRE)

Pendant un an à compter de la date d'achat, lorsque ce gros appareil ménager est installé, utilisé et entretenu conformément aux instructions jointes au produit ou fournies avec, la marque Maytag de Whirlpool Corporation ou Whirlpool Canada, LP (ci-après désignées "Maytag") paiera pour les pièces de rechange spécifiées par l'usine et pour la main-d'œuvre pour corriger les vices de matériaux ou de fabrication qui existaient déjà lorsque ce gros appareil ménager a été acheté.

GARANTIE LIMITÉE DE LA DEUXIÈME À LA DIXIÈME ANNÉE (COMPRESSEUR UNIQUEMENT - MAIN-D'ŒUVRE NON COMPRISE)

De la deuxième à la dixième année inclusivement à compter de la date d'achat initiale, lorsque ce gros appareil ménager est installé, utilisé et entretenu conformément aux instructions jointes au produit ou fournies avec, Maytag paiera pour un compresseur de rechange spécifié par l'usine pour corriger les défauts non esthétiques de matériau ou de fabrication de ladite pièce qui empêchent le réfrigérateur de fonctionner et qui étaient déjà présents lorsque ce gros appareil ménager a été acheté. Cette garantie limitée de 10 ans s'applique uniquement au compresseur et ne comprend pas la main-d'œuvre.

LE SEUL ET EXCLUSIF RECOURS DU CLIENT DANS LE CADRE DE LA PRÉSENTE GARANTIE LIMITÉE CONSISTE EN LA RÉPARATION PRÉVUE PAR LA PRÉSENTE. Le service doit être fourni par une compagnie de service désignée par Maytag. Cette garantie limitée est valide uniquement aux États-Unis ou au Canada et s'applique exclusivement lorsque le gros appareil ménager est utilisé dans le pays où il a été acheté. La présente garantie limitée est valable à compter de la date d'achat initial par le consommateur. Une preuve de la date d'achat d'origine est exigée pour obtenir un service dans le cadre de la présente garantie limitée.

ÉLÉMENTS EXCLUS DE LA GARANTIE

La présente garantie limitée ne couvre pas :

1. Les pièces de rechange ou la main-d'œuvre lorsque ce gros appareil ménager est utilisé à des fins autres que l'usage domestique unifamilial normal ou lorsque les instructions d'installation et/ou les instructions de l'opérateur ou de l'utilisateur fournies ne sont pas respectées.
2. Les visites de service pour rectifier l'installation du gros appareil ménager, montrer à l'utilisateur comment utiliser le gros appareil ménager, remplacer ou réparer des fusibles du domicile ou rectifier le câblage ou la plomberie du domicile.
3. Les visites de service pour réparer ou remplacer les ampoules électriques, les filtres à air ou les filtres à eau de l'appareil. Les pièces consommables ne sont pas couvertes par la garantie.
4. Les dommages imputables à : accident, modification, usage impropre ou abusif, incendie, inondation, actes de Dieu, installation fautive ou installation non conforme aux codes d'électricité ou de plomberie, ou l'utilisation de produits non approuvés par Maytag.
5. Les défauts d'apparence, notamment les éraflures, traces de choc, fissures ou tout autre dommage subi par le fini du gros appareil ménager, à moins que ces dommages ne résultent de vices de matériaux ou de fabrication et ne soient signalés à Maytag dans les 30 jours suivant la date d'achat.
6. Toute perte d'aliments ou de médicaments due à une défaillance du réfrigérateur ou du congélateur.
7. Le ramassage et la livraison. Ce gros appareil ménager est conçu pour être réparé à domicile.
8. Les réparations aux pièces ou systèmes résultant d'une modification non autorisée faite à l'appareil.
9. Les frais de déplacement et de transport pour le service du produit si votre gros appareil ménager est situé dans une région éloignée où un fournisseur de services d'entretien ou de réparation Maytag autorisé n'est pas disponible.
10. L'enlèvement et la réinstallation du gros appareil ménager si celui-ci est installé dans un endroit inaccessible ou n'est pas installé conformément aux instructions d'installation fournies par Maytag.
11. Les pièces de rechange ou la main-d'œuvre pour les gros appareils ménagers dont les numéros de modèle/de série ont été enlevés, modifiés ou ne peuvent pas être facilement identifiés.
12. La décoloration ou l'oxydation des surfaces en acier inoxydable ou encore l'apparition de rouille sur ces surfaces.

CLAUSE D'EXONÉRATION DE RESPONSABILITÉ AU TITRE DES GARANTIES IMPLICITES

LES GARANTIES IMPLICITES, Y COMPRIS LES GARANTIES APPLICABLES DE QUALITÉ MARCHANDE OU D'APTITUDE À UN USAGE PARTICULIER, SONT LIMITÉES À UN AN OU À LA PLUS COURTE PÉRIODE AUTORISÉE PAR LA LOI. Certains États et provinces ne permettent pas de limitation sur la durée d'une garantie implicite de qualité marchande ou d'aptitude à un usage particulier, de sorte que la limitation ci-dessus peut ne pas être applicable dans votre cas. Cette garantie vous confère des droits juridiques spécifiques, et vous pouvez également jouir d'autres droits qui peuvent varier d'une juridiction à l'autre.

LIMITATION DES RECOURS; EXCLUSION DES DOMMAGES FORTUITS OU INDIRECTS

LE SEUL ET EXCLUSIF RECOURS DU CLIENT DANS LE CADRE DE LA PRÉSENTE GARANTIE LIMITÉE CONSISTE EN LA RÉPARATION PRÉVUE CI-DESSUS. MAYTAG N'ASSUME AUCUNE RESPONSABILITÉ POUR LES DOMMAGES FORTUITS OU INDIRECTS. Certains États et certaines provinces ne permettent pas l'exclusion ou la limitation des dommages fortuits ou indirects, de sorte que ces limitations et exclusions peuvent ne pas être applicables dans votre cas. Cette garantie vous confère des droits juridiques spécifiques, et vous pouvez également jouir d'autres droits qui peuvent varier d'une juridiction à l'autre.

Si vous résidez à l'extérieur des 50 États des États-Unis et du Canada, contactez votre marchand Maytag autorisé pour déterminer si une autre garantie s'applique.

5/10

Garantie



AT YOUR SERVICE

Serial Number _____ Model Number _____

Country	Call	or Visit Us Online At	Write
U.S.A.	1-800-688-9900	www.maytag.com	Maytag Brand Home Appliances Customer eXperience Center 553 Benson Rd. Benton Harbor, MI 49022-2692
Canada	1-800-807-6777	www.maytag.com	Maytag Brand Home Appliances Customer eXperience Center 200 – 6750 Century Ave. Mississauga, Ontario L5N 0B7



ESTAMOS A SU SERVICIO

Número de serie _____ Número de modelo _____

País	Llame al	o visítenos en internet en	Escriba a
En EE.UU.	1-800-688-9900	www.maytag.com	Maytag Brand Home Appliances Customer eXperience Center 553 Benson Rd. Benton Harbor, MI 49022-2692
En Canadá	1-800-807-6777	www.maytag.com	Maytag Brand Home Appliances Customer eXperience Center 200 – 6750 Century Ave. Mississauga, Ontario L5N 0B7

À VOTRE SERVICE

Numéro de série _____ Numéro de modèle _____

Pays	Composez le	Ou rejoignez-nous en ligne à l'adresse	Écrivez-nous
Canada	1-800-807-6777	www.maytag.ca	Maytag Brand Home Appliances Customer eXperience Center 200 – 6750 Century Ave. Mississauga, Ontario L5N 0B7