

PRODUCT MODEL NUMBERS

MGDE500V

Electrical: 120 Volt, 60 Hz., AC only, 15- or 20-amp fused electrical supply is required. A time-delay fuse or circuit breaker is recommended. It is also recommended that a separate circuit serving only this dryer be provided.

Exhaust venting: Exhaust your dryer to the outside. 4" (10.16 cm) diameter vent is required. Rigid or flexible heavy metal exhaust vent must be used. Do not use plastic or metal foil vent. Exhaust hood must be at least 12" (30.5 cm) from the ground or any object that may be in the path of the exhaust.

Gas supply: This dryer is equipped for use with Natural gas. It is design-certified by CSA International for LP (propane or butane) gases with appropriate conversion.

No attempt shall be made to convert the appliance from the gas specified on the model/serial rating plate for use with a different gas without consulting your gas company.

Must include 1/8" NPT minimum plugged tapping accessible for test gauge connection, immediately upstream of the gas connection to the dryer.

1/2" IPS pipe is recommended.

3/8" approved aluminum or copper tubing is acceptable for lengths under 20 ft (6.1 m) if local codes and gas supplier permit.

If you are using Natural gas, do not use copper tubing.

Lengths over 20 ft (6.1 m) should use larger tubing and a different size adapter fitting.

If your dryer has been converted to use LP gas, 3/8" LP compatible copper tubing can be used. If the total length of the supply line is more than 20 ft (6.1 m), use larger pipe.

NOTE: Pipe-joint compounds that resist the action of LP gas must be used. Do not use TEFLON® tape.*

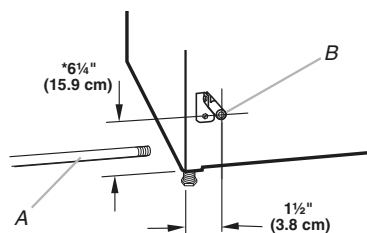
Use an elbow and a 3/8" flare x 3/8" NPT adapter fitting between the flexible gas connector and the dryer gas pipe, as needed to avoid kinking.

This dryer must be connected to the gas supply line with a listed flexible gas connector that complies with the standard for connectors for gas appliances, ANSI Z21.24 or CSA 6.10.

An individual manual shutoff valve must be installed within six (6) feet (1.8m) of the dryer in accordance with the National Fuel Gas Code, ANSI Z223.1. The location should be easy to reach for opening and closing.

*®TEFLON is a registered trademark of E.I. Dupont De Nemours and Company

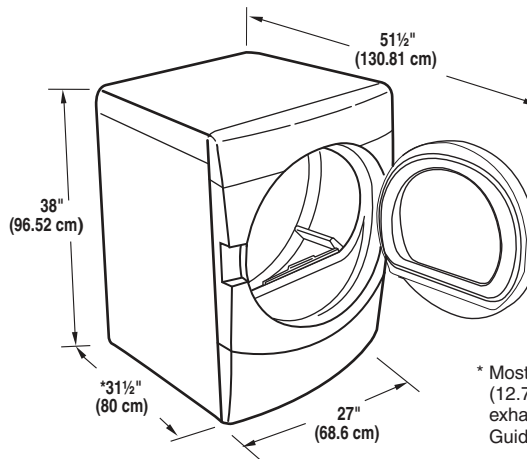
Dryer gas pipe: The gas pipe that comes out through the rear of your dryer has a 3/8" male thread.



A. 1/2" NPT gas supply line
B. 3/8" NPT dryer pipe

NOTE: If the dryer is mounted on a pedestal, the gas pipe height must be an additional 10" (25.4 cm) or 15.5" (39.4 cm) from the floor, depending on the pedestal model. For a garage installation, the gas pipe height must be an additional 18" (46 cm) from the floor.

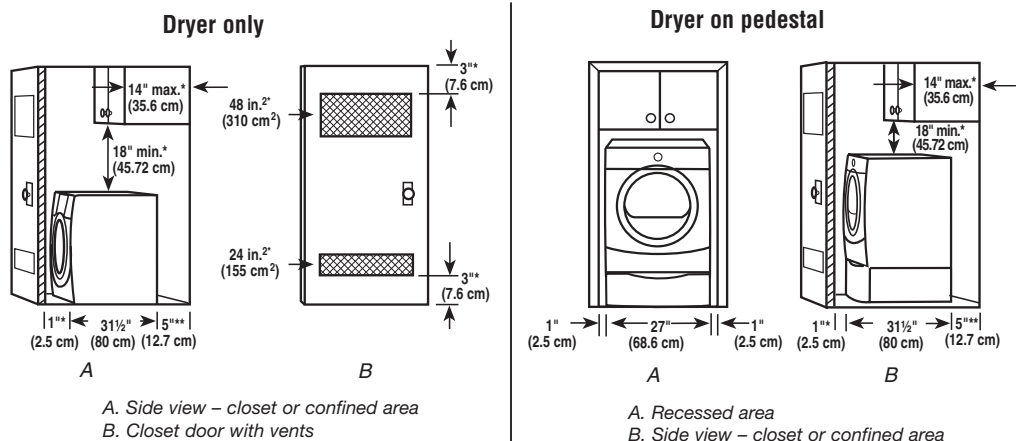
PRODUCT DIMENSIONS



* Most installations require a minimum 5" (12.7 cm) clearance behind the dryer for the exhaust vent with elbow. See Use and Care Guide, "Venting Requirements."

RECESSED AREA AND CLOSET INSTALLATION

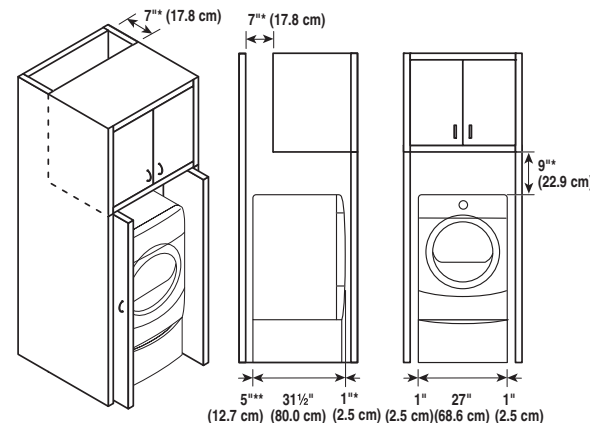
For closet installation, with a door, the minimum ventilation openings in the top and bottom of the door are required. Louvered doors with equivalent air ventilation openings in the top and bottom are acceptable.



* Required spacing
** Side or bottom venting - 0" (0 cm) spacing is allowed

* Required spacing
** Side or bottom venting - 0" (0 cm) spacing is allowed

RECOMMENDED INSTALLATION SPACING FOR CABINET INSTALLATION



For cabinet installation, with a door, the minimum ventilation openings in the top of the cabinet are required.

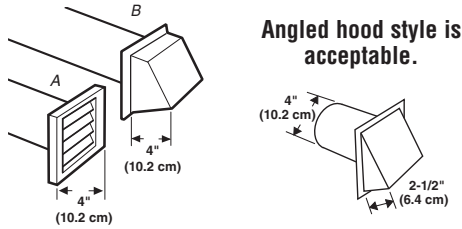
* Required spacing
** Side or bottom venting - 0" (0 cm) spacing is allowed

PRODUCT MODEL NUMBERS

MGDE500V

EXHAUST VENTING

Recommended hood styles



Angled hood style is acceptable.

A. Louvered hood style
B. Box hood style

Number of 90° turns or elbows	Type of vent	Box or Louvered hoods	Angled hoods
0	Rigid metal Flexible metal	64 ft (20 m) 36 ft (11 m)	58 ft (17.7 m) 28 ft (8.5 m)
1	Rigid metal Flexible metal	54 ft (16.5 m) 31 ft (9.4 m)	48 ft (14.6 m) 23 ft (7 m)
2	Rigid metal Flexible metal	44 ft (13.4 m) 27 ft (8.2 m)	38 ft (11.6 m) 19 ft (5.8 m)
3	Rigid metal Flexible metal	35 ft (10.7 m) 25 ft (7.6 m)	29 ft (8.8 m) 17 ft (5.2 m)
4	Rigid metal Flexible metal	27 ft (8.2 m) 23 ft (7 m)	21 ft (6.4 m) 15 ft (4.6 m)

NOTE: Side and bottom exhaust installations have a 90° turn inside the dryer. To determine maximum exhaust length, add one 90° turn to the chart.

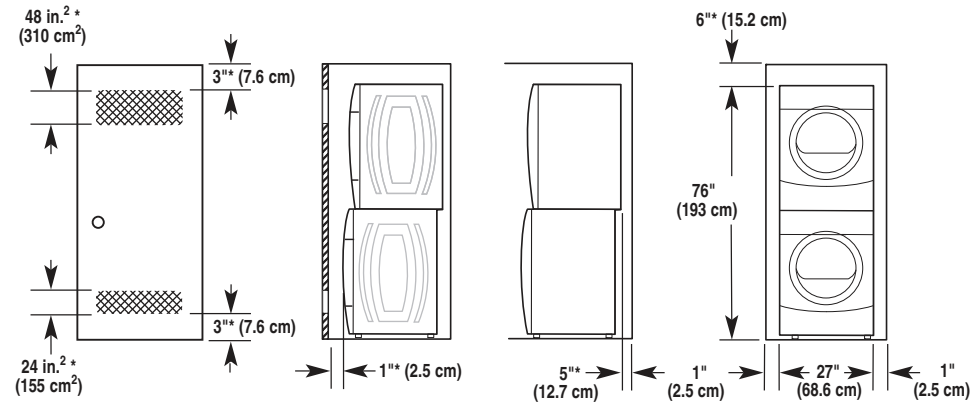
Select the route that will provide the straightest and most direct path outdoors. Plan the installation to use the fewest number of elbows and turns. Use the fewest 90° turns possible.

Do not use vent runs longer than specified in vent length chart.

Determine the number of elbows you will need.

RECOMMENDED INSTALLATION SPACING FOR RECESSED OR CLOSET INSTALLATION, WITH STACKED WASHER AND DRYER

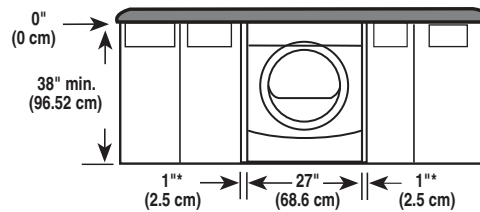
Dimensions shown are for recommended spacing.



* Required spacing

UNDERCOUNTER INSTALLATION

Dimensions shown are for minimum spacing.



* Required spacing