



ELECTRONIC DRYER USE AND CARE GUIDE

SÉCHEUSE ÉLECTRONIQUE GUIDE D'UTILISATION ET D'ENTRETIEN

Para una versión de estas instrucciones en español, visite www.maytag.com

Table of Contents

DRYER SAFETY	2
CHECK YOUR VENT SYSTEM FOR GOOD AIRFLOW	4
CONTROL PANEL AND FEATURES	5
CYCLE GUIDE	5
USING YOUR DRYER	6
DRYER CARE	7
TROUBLESHOOTING	9
ASSISTANCE OR SERVICE	BACK COVER

Table des matières

SÉCURITÉ DE LA SÉCHEUSE	11
VÉRIFICATION D'UNE CIRCULATION D'AIR ADÉQUATE POUR LE SYSTÈME D'ÉVACUATION....	13
TABLEAU DE COMMANDE ET CARACTÉRISTIQUES	14
GUIDE DES PROGRAMMES	14
UTILISATION DE LA SÉCHEUSE.....	15
ENTRETIEN DE LA SÉCHEUSE.....	16
DÉPANNAGE.....	18
ASSISTANCE OU SERVICE.....	COUVERTURE ARRIÈRE



DRYER SAFETY

Your safety and the safety of others are very important.

We have provided many important safety messages in this manual and on your appliance. Always read and obey all safety messages.



This is the safety alert symbol.

This symbol alerts you to potential hazards that can kill or hurt you and others.

All safety messages will follow the safety alert symbol and either the word “DANGER” or “WARNING.”

These words mean:

⚠ DANGER

You can be killed or seriously injured if you don't immediately follow instructions.

⚠ WARNING

You can be killed or seriously injured if you don't follow instructions.

All safety messages will tell you what the potential hazard is, tell you how to reduce the chance of injury, and tell you what can happen if the instructions are not followed.



WARNING - “Risk of Fire”

- Clothes dryer installation must be performed by a qualified installer.
- Install the clothes dryer according to the manufacturer's instructions and local codes.
- Do not install a clothes dryer with flexible plastic venting materials or flexible metal (foil type) duct. If flexible metal duct is installed, it must be of a specific type identified by the appliance manufacturer as suitable for use with clothes dryers. Flexible venting materials are known to collapse, be easily crushed, and trap lint. These conditions will obstruct clothes dryer airflow and increase the risk of fire.
- To reduce the risk of severe injury or death, follow all installation instructions.
- Save these instructions.

State of California Proposition 65 Warnings:

WARNING: This product contains one or more chemicals known to the State of California to cause cancer.

WARNING: This product contains one or more chemicals known to the State of California to cause birth defects or other reproductive harm.

IMPORTANT SAFETY INSTRUCTIONS

WARNING: To reduce the risk of fire, electric shock, or injury to persons when using the dryer, follow basic precautions, including the following:

- Read all instructions before using the dryer.
- Do not place items exposed to cooking oils in your dryer. Items contaminated with cooking oils may contribute to a chemical reaction that could cause a load to catch fire.
- Do not dry articles that have been previously cleaned in, washed in, soaked in, or spotted with gasoline, dry-cleaning solvents, or other flammable or explosive substances as they give off vapors that could ignite or explode.
- Do not allow children to play on or in the dryer. Close supervision of children is necessary when the dryer is used near children.
- Before the dryer is removed from service or discarded, remove the door to the drying compartment.
- Do not reach into the dryer if the drum is moving.
- Do not install or store the dryer where it will be exposed to the weather.
- Do not tamper with controls.
- Do not repair or replace any part of the dryer or attempt any servicing unless specifically recommended in this Use and Care Guide or in published user-repair instructions that you understand and have the skills to carry out.
- Do not use fabric softeners or products to eliminate static unless recommended by the manufacturer of the fabric softener or product.
- Do not use heat to dry articles containing foam rubber or similarly textured rubber-like materials.
- Clean lint screen before or after each load.
- Keep area around the exhaust opening and adjacent surrounding areas free from the accumulation of lint, dust, and dirt.
- The interior of the dryer and exhaust vent should be cleaned periodically by qualified service personnel.
- See “Electrical Requirements” located in the installation instructions for grounding instructions.

SAVE THESE INSTRUCTIONS



WARNING:

FIRE OR EXPLOSION HAZARD

Failure to follow safety warnings exactly could result in serious injury, death or property damage.

– Do not store or use gasoline or other flammable vapors and liquids in the vicinity of this or any other appliance.

– WHAT TO DO IF YOU SMELL GAS:

- Do not try to light any appliance.
- Do not touch any electrical switch; do not use any phone in your building.
- Clear the room, building, or area of all occupants.
- Immediately call your gas supplier from a neighbor's phone. Follow the gas supplier's instructions.
- If you cannot reach your gas supplier, call the fire department.

– Installation and service must be performed by a qualified installer, service agency, or the gas supplier.

WARNING: Gas leaks cannot always be detected by smell.

Gas suppliers recommend that you use a gas detector approved by UL or CSA.

For more information, contact your gas supplier.

If a gas leak is detected, follow the “What to do if you smell gas” instructions.

CHECK YOUR VENT SYSTEM FOR GOOD AIRFLOW

WARNING



Fire Hazard

Use a heavy metal vent.

Do not use a plastic vent.

Do not use a metal foil vent.

Failure to follow these instructions can result in death or fire.

Good Airflow

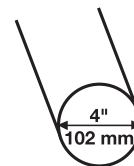
Along with heat, dryers require good airflow to efficiently dry laundry. Proper venting will reduce your drying times and improve your energy savings. See Installation Instructions.

The venting system attached to the dryer plays a big role in good airflow.

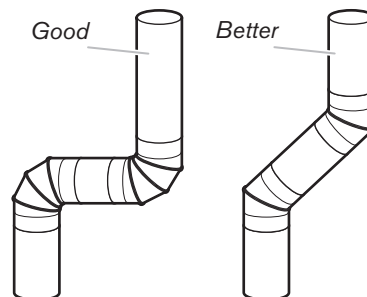
Service calls caused by improper venting are not covered by the warranty and will be paid by the customer, regardless of who installed the dryer.

Maintain good airflow by:

- Cleaning your lint screen before each load.
- Replace plastic or foil vent material with 4" (102 mm) diameter heavy, rigid vent material.

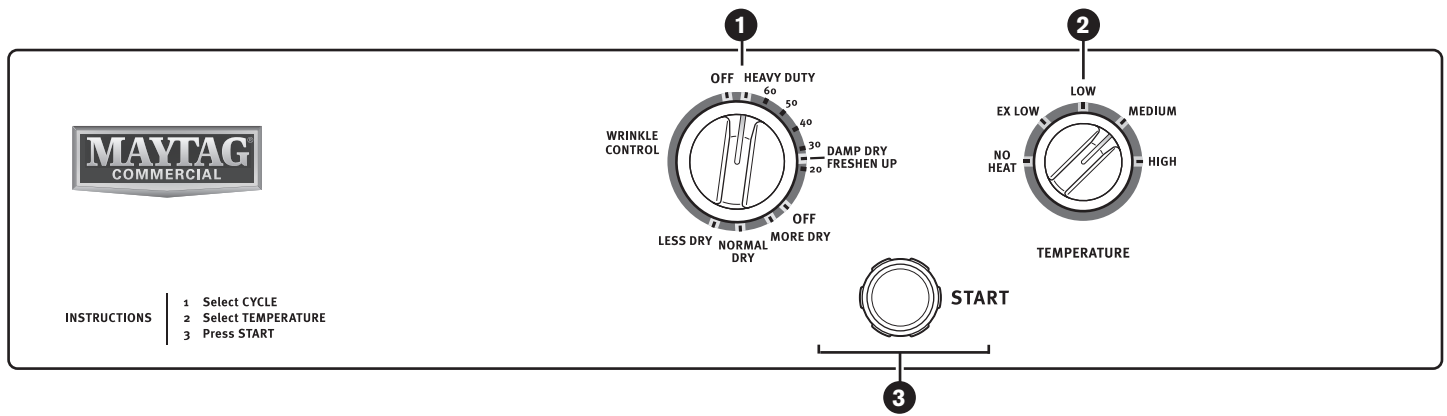


- Use the shortest length of vent possible.
- Use no more than four 90° elbows in a vent system; each bend and curve reduces airflow.



- Remove lint and debris from the exhaust hood.
- Remove lint from the entire length of the vent system at least every two years. When cleaning is complete, be sure to follow the Installation Instructions supplied with your dryer for final product check.
- Clear away items from the front the dryer.

CONTROL PANEL AND FEATURES



Not all features and options are available on all models.
Appearance may vary.

1 DRYER CYCLE KNOB

Use your Dryer Cycle knob to select available cycles on your dryer. Turn the knob to select a cycle for your laundry load. See the “Cycle Guide” chart for detailed descriptions of cycles.

TIMED DRY

Will run the dryer for the specified time on the control. On models with a selectable temperature knob, you may choose a setting based on the fabrics in your load. Drying time and temperature will depend on your dryer model.

SENSOR CYCLES/DRYNESS LEVEL

Senses moisture in the load and air temperature and shuts off when the load reaches the selected dryness level. This setting gives the best drying in the shortest time. Drying time will vary based on fabric type, load size, and dryness setting.

2 TEMPERATURE

Select a drying temperature based on the fabrics in your load. If you are unsure of the temperature to select for a load, select the lower setting rather than the higher setting.
NOTE: The No Heat Temperature feature is not available on the sensor cycles.

3 START BUTTON

Press to start a cycle.

CYCLE GUIDE—TIMED DRY

Not all cycles and settings are available on all models.

TIMED DRY—Will run the dryer for the specified time on the control. Depending on model, temperature may be selected on cycle knob or be a separate control.

Items to Dry:	Cycle:	Temperature:	Cycle Details:
Heavy or bulky items	Heavy Duty*	Any	Completes drying if items are still damp.
Any load	Timed Dry	Any	Dries items to a damp level for items that do not require an entire drying cycle. Select a drying temperature based on the fabrics in your load. If you are unsure of the temperature to select for a load, select the lower setting rather than the higher setting.
Rubber, plastic, heat-sensitive fabrics	Timed Dry	No Heat	Use a no-heat setting for foam, rubber, plastic, or heat-sensitive fabrics.
SPECIAL SETTING†:			
Any load	Wrinkle Control†	No Heat	After a cycle is complete, the load is periodically tumbled to avoid wrinkles until you are ready to remove it.

*Government energy certifications for this model were based on the Heavy Duty cycle with the Maximum temperature setting. The as-shipped default cycle of Normal Dry was not used.

†This setting is added at the end of certain cycles to reduce wrinkling.

CYCLE GUIDE—SENSOR CYCLES

Not all cycles and settings are available on all models.


SENSOR CYCLES—Sense moisture in the load or air temperature and shuts off when the load reaches the selected dryness level.

Depending on model, temperature may be selected on cycle knob or be a separate control.

Items to Dry:	Cycle:	Temperature:	Cycle Details:
Jeans, heavy work clothes, towels	More Dry	High	Gives fabric the best drying in the shortest time. Drying time varies based on fabric type, load size, and dryness setting. Select a drying temperature based on the fabrics in your load. If you are unsure of the temperature to select for a load, select the lower setting rather than the higher setting.
Work clothes, medium weight fabrics, sheets	Normal Dry	Medium	
Casual, shirts, pants, lightweight items, synthetics, delicates, athletic wear	Less Dry	Low	

USING YOUR DRYER

⚠ WARNING




Explosion Hazard

Keep flammable materials and vapors, such as gasoline, away from dryer.

Do not dry anything that has ever had anything flammable on it (even after washing).

Failure to follow these instructions can result in death, explosion, or fire.

⚠ WARNING



Fire Hazard

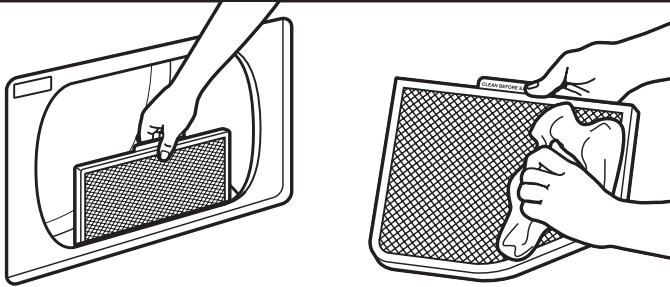
No washer can completely remove oil.

Do not dry anything that has ever had any type of oil on it (including cooking oils).

Items containing foam, rubber, or plastic must be dried on a clothesline or by using an Air Cycle.

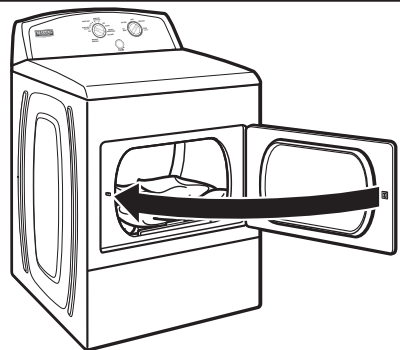
Failure to follow these instructions can result in death or fire.

1. Clean the lint screen



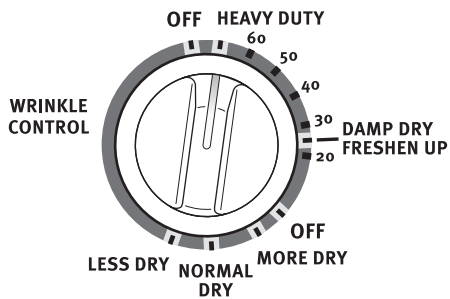
Clean the lint screen before each load. Pull the lint screen straight up. Roll lint off the screen with your fingers. Do not rinse or wash screen to remove lint. Push the lint screen firmly back into place. For additional cleaning information, see the “Dryer Care” section.

2. Load the dryer



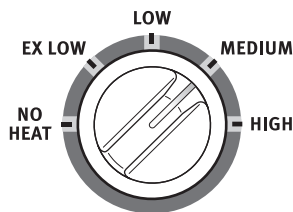
Place laundry in the dryer. Close the door. Do not overload the dryer; clothes should be able to tumble freely.

3. Select the desired cycle



Select the desired cycle for your load. See the "Cycle Guide" chart or the display for more information about each cycle.

4. Set drying temperature



Setting dryer temperature:

- The high heat setting may be used for drying heavyweight items such as towels and work clothes.
- The Low or Medium heat setting may be used for drying medium-weight items such as sheets, blouses, dresses, underwear, permanent press fabrics, and some knits.
- Use the No Heat (air dry) setting for foam, rubber, plastic, or heat-sensitive fabrics. Line dry bonded or laminated fabrics.

NOTE: If you have questions about drying temperatures for various loads, refer to the care label directions.

Wrinkle Control feature

- Add up to 90 minutes of heat-free, periodic tumbling at the end of a cycle.

5. Press START to begin cycle



Press the START button to begin the cycle.

Promptly remove garments after cycle has completed to reduce wrinkling.

DRYER CARE

Cleaning the dryer location

Keep dryer area clear and free from items that would block the airflow for proper dryer operation. This includes clearing piles of laundry in front of the dryer.

WARNING



Explosion Hazard

Keep flammable materials and vapors, such as gasoline, away from dryer.

Place dryer at least 18 inches (460 mm) above the floor for a garage installation.

Failure to do so can result in death, explosion, or fire.

Cleaning the dryer interior

To clean dryer drum:

1. Apply a liquid, nonflammable household cleaner to the stained area of the drum and rub with a soft cloth until stain is removed.
2. Wipe drum thoroughly with a damp cloth.
3. Tumble a load of clean cloths or towels to dry the drum.

NOTE: Garments that contain loose dyes, such as denim blue jeans or brightly colored cotton items, may discolor the dryer interior. These stains are not harmful to your dryer and will not stain future loads of clothes. Dry these items inside out to avoid drum staining.

Removing accumulated lint

From inside the dryer cabinet

Lint should be removed every two years, or more often, depending on dryer usage. Cleaning should be done by a qualified servicer.

From the exhaust vent

Lint should be removed every two years, or more often, depending on dryer usage.

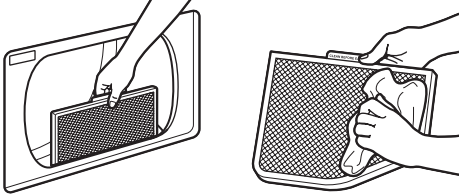
Cleaning the lint screen

Every load cleaning

The lint screen is located in the door opening of the dryer. A screen blocked by lint can increase drying time.

To clean:

1. Pull the lint screen straight up. Roll lint off the screen with your fingers. Do not rinse or wash screen to remove lint. Wet lint is hard to remove.



2. Push the lint screen firmly back into place.

IMPORTANT:

- Do not run the dryer with the lint screen loose, damaged, blocked, or missing. Doing so can cause overheating and damage to both the dryer and fabrics.
- If lint falls off the screen into the dryer during removal, check the exhaust hood and remove the lint. See the "Check Your Vent System for Good Airflow" section.

As-needed cleaning

Laundry detergent and fabric softener residue can build up on the lint screen. This buildup can cause longer drying times for your clothes or cause the dryer to stop before your load is completely dry. The screen is probably clogged if lint falls off while the screen is in the dryer.

Clean the lint screen with a nylon brush every six months, or more frequently, if it becomes clogged due to a residue buildup.

To wash:

1. Roll lint off the screen with your fingers.
2. Wet both sides of lint screen with hot water.
3. Wet a nylon brush with hot water and liquid detergent. Scrub lint screen with the brush to remove residue buildup.



4. Rinse screen with hot water.
5. Thoroughly dry lint screen with a clean towel. Reinstall screen in dryer.

Vacation, storage, and moving care

Non-Use or Storage Care

Operate your dryer only when you are at home. If you will be on vacation or not using your dryer for an extended period of time, you should:

1. Unplug dryer or disconnect power.
2. Clean lint screen. See the "Cleaning the Lint Screen" section.

Vacation, storage, and moving care (cont.)

Moving Care

For power supply cord-connected dryers:

1. Unplug the power supply cord.
2. Make sure leveling legs are secure in dryer base.
3. Use tape to secure dryer door.

⚠ WARNING



Electrical Shock Hazard

Disconnect power before servicing.

Replace all parts and panels before operating.

Failure to do so can result in death or electrical shock.

For direct-wired dryers:

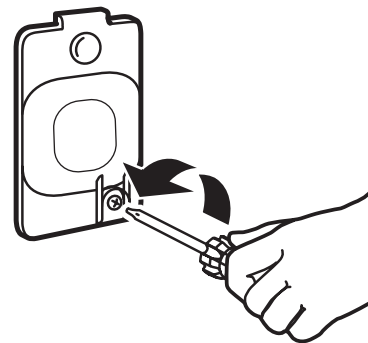
1. Disconnect power.
2. Disconnect wiring.
3. Make sure leveling legs are secure in dryer base.
4. Use tape to secure dryer door.

Reinstalling the Dryer

Follow the Installation Instructions to locate, level, and connect the dryer.

Changing the drum light (on some models)

1. Unplug dryer or disconnect power.
2. Open the dryer door. Locate the light bulb cover on the back wall of the dryer. Using a Phillips-head screwdriver, remove the screw located in the lower right-hand corner of the cover. Remove the cover.



3. Turn bulb counterclockwise. Replace the bulb with a 10-watt appliance bulb only. Replace the cover and secure with the screw.
4. Plug in dryer or reconnect power.

TROUBLESHOOTING

First try the solutions suggested here or visit our website at www.maytag.com/help.
In Canada, visit www.maytag.ca for assistance and to possibly avoid a service call.

If you experience	Possible Causes	Solution
Clothes are not drying satisfactorily, drying times are too long, or load is too hot	Lint screen clogged with lint.	Lint screen should be cleaned before each load.
	Load too large and heavy to dry quickly.	Separate the load so it tumbles freely.
	Exhaust vent or outside exhaust hood clogged with lint, restricting air movement.	Run the dryer for 5-10 minutes. Hold your hand under the outside exhaust hood to check air movement. If you do not feel air movement, clean exhaust system of lint or replace exhaust vent with heavy metal or flexible metal vent. See the Installation Instructions.
	Fabric softener sheets blocking the grille.	Use only one fabric softener sheet, and use it only once.
	Exhaust vent not the correct length.	Check that the exhaust vent is not too long or has too many turns. Long venting will increase drying times. See the Installation Instructions.
	Exhaust vent diameter not the correct size.	Use 4" (102 mm) diameter vent material.
	Dryer located in a room with temperature below 45°F (7°C).	Proper operation of dryer cycles requires temperatures above 45°F (7°C).
	Dryer located in a closet.	Closet doors must have ventilation openings at the top and bottom of the door. The front of the dryer requires a minimum of 1" (25 mm) of airspace, and, for most installations, the rear of the dryer requires 5" (127 mm). See the Installation Instructions.
Dryer will not run	Door not closed completely.	Make sure the dryer door is closed completely.
	Start button not pressed firmly or held long enough.	Press the START button until you hear the dryer drum moving.
	Household fuse is blown or circuit breaker has tripped.	Electric dryers use two household fuses or circuit breakers. The drum may be turning, but you may not have heat. Replace the fuse or reset the circuit breaker. If the problem continues, call a qualified electrician.
	Incorrect power supply.	Electric dryers require 240-volt power supply. Check with a qualified electrician.
	Wrong type of fuse.	Use a time-delay fuse.
Unusual sounds	Dryer had a period of non-use.	If the dryer hasn't been used for awhile, there may be a thumping sound during the first few minutes of operation.
	A coin, button, or paper clip is caught between the drum and front or rear of the dryer.	Check the front and rear edges of the drum for small objects. Clean out pockets before laundering garments.
	It is a gas dryer.	The gas valve clicking is a normal operating sound.
	The four legs are not installed, and the dryer is not level front to back and side to side.	The dryer may vibrate if not properly installed. See the Installation Instructions.
	Clothing knotted or balled up.	When balled up, the load will bounce, causing the dryer to vibrate. Separate the load items and restart the dryer.
No heat	Household fuse is blown or circuit breaker has tripped.	The drum may be turning, but you may not have heat. Electric dryers use two household fuses or circuit breakers. Replace both fuses or reset the circuit breaker. If the problem continues, call a qualified electrician.
	Supply line valve not open.	For gas dryers, ensure the valve is open on the supply line.
	Incorrect power supply.	Electric dryers require 240-volt power supply. Check with a qualified electrician.

TROUBLESHOOTING

First try the solutions suggested here or visit our website at www.maytag.com/help.
In Canada, visit www.maytag.ca for assistance and to possibly avoid a service call.

If you experience	Possible Causes	Solution
Cycle time too short	Sensor cycle ending early.	The load may not be contacting the sensor strips. Level the dryer. Use a timed dry for very small loads. Change the dryness level setting on sensor cycles. Increasing or decreasing the dryness level will change the amount of drying time in a cycle.
Lint on load	Lint screen clogged.	Lint screen should be cleaned before each load.
Stains on load or drum	Dryer fabric softener not properly used.	Add dryer fabric softener sheets at the beginning of the cycle. Fabric softener sheets added to a partially dried load can stain your garments. Drum stains are caused by dyes in clothing (usually blue jeans). These will not transfer to other clothing.
Loads are wrinkled	Load not removed from dryer at the end of the cycle.	Select Wrinkle Control cycle to tumble the load without heat to avoid wrinkling.
	Dryer tightly packed.	Dry smaller loads that can tumble freely to help prevent wrinkles from forming.
Odors	You have recently been painting, staining, or varnishing in the area where your dryer is located.	If so, ventilate the area. When the odors or fumes are gone from the area, rewash and dry the clothing.
	The electric dryer is being used for the first time.	The new electric heating element may have an odor. The odor will be gone after the first cycle.
Load is too hot	Laundry items removed from the dryer before the end of the cycle.	Allow the dryer to finish the cool-down cycle before removing laundry from dryer. All cycles are cooled slowly to reduce wrinkling and make items easier to handle. Items removed before cooldown may feel very warm.
	A high temperature cycle was used or the Temperature knob was set on High.	Select a lower temperature, and use a sensor drying cycle. These cycles sense the temperature or the moisture level in the load and shut off when the load reaches the selected dryness. This reduces overdrying.

SÉCURITÉ DE LA SÈCHEUSE

Votre sécurité et celle des autres est très importante.

Nous donnons de nombreux messages de sécurité importants dans ce manuel et sur votre appareil ménager. Assurez-vous de toujours lire tous les messages de sécurité et de vous y conformer.



Voici le symbole d'alerte de sécurité.

Ce symbole d'alerte de sécurité vous signale les dangers potentiels de décès et de blessures graves à vous et à d'autres.

Tous les messages de sécurité suivront le symbole d'alerte de sécurité et le mot "DANGER" ou "AVERTISSEMENT". Ces mots signifient :

 **DANGER**

Risque possible de décès ou de blessure grave si vous ne suivez pas immédiatement les instructions.

 **AVERTISSEMENT**

Risque possible de décès ou de blessure grave si vous ne suivez pas les instructions.

Tous les messages de sécurité vous diront quel est le danger potentiel et vous disent comment réduire le risque de blessure et ce qui peut se produire en cas de non-respect des instructions.



AVERTISSEMENT - "Risque d'incendie"

- L'installation de la sècheuse à linge doit être effectuée par un installateur qualifié.
- Installer la sècheuse conformément aux instructions du fabricant et aux codes locaux.
- Ne pas installer de sècheuse à linge avec des matériaux d'évacuation en plastique souple ou un conduit métallique souple (de type papier d'aluminium). Si un conduit métallique souple est installé, celui-ci doit être d'un type spécifique identifié par le fabricant de l'appareil et convenir à une utilisation avec les sècheuses à linge. Les matériaux d'évacuation souples sont connus pour s'affaisser, être facilement écrasés et bloquer la charpie. Ces situations obstrueront le débit d'air de la sècheuse à linge et augmenteront le risque d'incendie.
- Pour réduire le risque de blessure grave ou de décès, suivre toutes les instructions d'installation.
- Conserver ces instructions.

Avertissements de la proposition 65 de l'État de Californie :

AVERTISSEMENT : Ce produit contient au moins un produit chimique connu par l'État de Californie pour être à l'origine de cancers.

AVERTISSEMENT : Ce produit contient au moins un produit chimique connu par l'État de Californie pour être à l'origine de malformations et autres déficiences de naissance.

IMPORTANTES INSTRUCTIONS DE SÉCURITÉ

AVERTISSEMENT : Pour réduire le risque d'incendie, de choc électrique ou de blessure lors de l'utilisation de la sècheuse, il convient d'observer certaines précautions élémentaires dont les suivantes :

- Lire toutes les instructions avant d'utiliser la sècheuse.
- Ne pas placer des articles exposés aux huiles de cuisson dans votre sècheuse. Les articles contaminés par des huiles de cuisson peuvent contribuer à une réaction chimique qui pourrait causer à la charge de s'enflammer.
- Ne pas faire sécher dans la machine des articles qui ont déjà été nettoyés, lavés, imbibés, ou tachés d'essence, de solvants pour nettoyage à sec, d'autres substances inflammables, ou de substances explosives puisqu'elles dégagent des vapeurs qui peuvent provoquer un incendie ou une explosion.
- Ne pas permettre à des enfants de jouer sur ou à l'intérieur de la sècheuse. Une surveillance étroite est nécessaire lorsque la sècheuse est utilisée près d'eux.
- Avant d'enlever la sècheuse du service ou la jeter, enlever la porte du compartiment de séchage.
- Ne pas mettre la main dans la sècheuse si le tambour est en mouvement.
- Ne pas installer ni entreposer la sècheuse où elle sera exposée aux intempéries.
- Ne pas jouer avec les commandes.
- Ne pas réparer ni remplacer une pièce de la sècheuse ou essayer d'en faire l'entretien à moins d'une recommandation spécifique dans le guide d'utilisation et d'entretien, ou publiée dans les instructions de réparation par l'utilisateur que vous comprenez et pouvez exécuter avec compétence.
- Ne pas utiliser un produit assouplissant de tissu ou des produits pour éliminer la statique à moins qu'ils ne soient recommandés par le fabricant du produit assouplissant de tissu ou du produit.
- Ne pas utiliser la chaleur pour faire sécher des articles fabriqués avec du caoutchouc mousse ou des matériaux semblables.
- Nettoyer le filtre à charpie avant et après chaque charge.
- Ne pas laisser la charpie, la poussière, ou la saleté s'accumuler autour du système d'évacuation ou autour de l'appareil.
- Un nettoyage périodique de l'intérieur de la sècheuse et du conduit d'évacuation doit être effectué par une personne qualifiée.
- Pour les instructions de liaison à la terre, voir "Spécifications électriques" dans les instructions d'installation.

CONSERVEZ CES INSTRUCTIONS

AVERTISSEMENT :

RISQUE D'INCENDIE OU D'EXPLOSION

Le non-respect des avertissements de sécurité peut causer des dommages à la propriété, des blessures graves, voire la mort.

- **Ne pas entreposer ou utiliser de l'essence ou d'autres vapeurs ou liquides inflammables à proximité de cet appareil ou de tout autre appareil électroménager.**
- **QUE FAIRE DANS LE CAS D'UNE ODEUR DE GAZ :**
 - **Ne pas tenter d'allumer un appareil.**
 - **Ne pas toucher à un commutateur électrique; ne pas utiliser le téléphone se trouvant sur les lieux.**
 - **Évacuer tous les gens de la pièce, de l'édifice ou du quartier.**
 - **Appeler immédiatement le fournisseur de gaz d'un téléphone voisin. Suivre ses instructions.**
 - **À défaut de joindre votre fournisseur de gaz, appeler les pompiers.**
- **L'installation et l'entretien doivent être effectués par un installateur qualifié, une agence de service ou le fournisseur de gaz.**

AVERTISSEMENT : L'odorat ne permet pas toujours la détection d'une fuite de gaz.

Les distributeurs de gaz recommandent l'emploi d'un détecteur de gaz (homologation UL ou CSA).

Pour d'autre information, contacter le fournisseur de gaz local.

En cas de détection d'une fuite de gaz, exécuter les instructions "Que faire dans le cas d'une odeur de gaz".

VÉRIFICATION D'UNE CIRCULATION D'AIR ADÉQUATE POUR LE SYSTÈME D'ÉVACUATION

AVERTISSEMENT



Risque d'incendie

Utiliser un conduit d'évacuation en métal lourd.

Ne pas utiliser un conduit d'évacuation en plastique.

Ne pas utiliser un conduit d'évacuation en feuille de métal.

Le non-respect de ces instructions peut causer un décès ou un incendie.

Circulation d'air adéquate

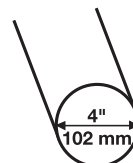
Une sècheuse a besoin de chaleur et d'une circulation d'air adéquate pour sécher efficacement le linge. Une ventilation adéquate réduit les durées de séchage et accroît les économies d'énergie. Voir les Instructions d'installation.

Le système d'évacuation fixé à la sècheuse joue un rôle important dans la circulation de l'air.

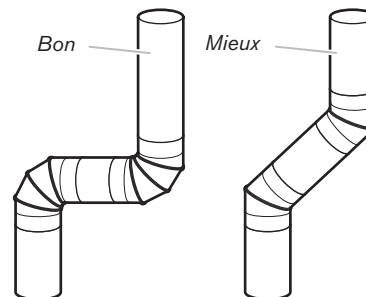
Les interventions de dépannage causées par une ventilation incorrecte ne sont pas couvertes par la garantie et seront à la charge du client, quel que soit l'installateur de la sècheuse.

Maintenir une bonne circulation d'air en effectuant les opérations suivantes :

- Nettoyer le filtre à charpie avant chaque charge.
- Remplacer le matériau de conduits d'évacuation en plastique ou en aluminium par des conduits d'évacuation lourds et rigides de 4" (102 mm) de diamètre.

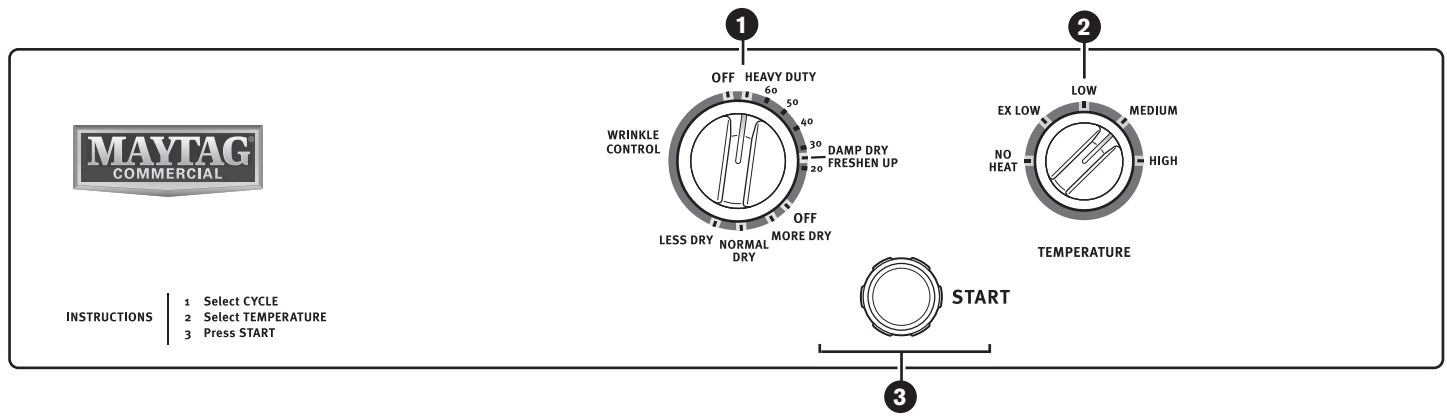


- Toujours employer les conduits d'évacuation les plus courts possible.
- Ne pas utiliser plus de quatre coudes à 90 ° dans un circuit d'évacuation car chaque inclinaison et courbe réduit le flux d'air.



- Retirer la charpie et les résidus du clapet d'évacuation.
- Retirer la charpie sur toute la longueur du circuit d'évacuation au moins tous les deux ans. Après le nettoyage, veuillez suivre les instructions d'installation fournies avec la sècheuse pour une vérification finale de l'appareil.
- Dégager tout article qui se trouverait devant la sècheuse.

TABLEAU DE COMMANDE ET CARACTÉRISTIQUES



Certains programmes et options ne sont pas disponibles sur certains modèles.
L'aspect des appareils peut varier.

1 BOUTON DE PROGRAMME DE LA SÈCHEUSE

Utiliser le bouton de programme de séchage pour sélectionner les programmes disponibles sur la sècheuse. Tourner le bouton de programme pour sélectionner un programme correspondant à la charge de linge. Voir le "Guide des programmes" pour des descriptions de programmes détaillées.

SÈCHAGE MINUTÉ

Fait fonctionner la sècheuse pendant le temps indiqué sur le tableau de commande. Sur les modèles à bouton de température réglable, il est possible de sélectionner un réglage selon les tissus de la charge. La durée et la température de séchage dépendront du modèle de votre sècheuse.

SENSOR CYCLES/DRYNESS LEVEL (programmes de détection/niveau de séchage)

Détecte l'humidité présente dans la charge et la température de l'air et s'éteint lorsque la charge atteint le niveau de séchage sélectionné. Fournit un séchage optimal en un minimum de temps. La durée de séchage varie en fonction du type de tissu, de la taille de la charge et du réglage de niveau de séchage.

2 TEMPERATURE

Choisir la température de séchage en fonction des tissus de la charge. Si l'on hésite sur la température à sélectionner pour une charge donnée, choisir un réglage inférieur plutôt qu'un réglage supérieur.

REMARQUE : La caractéristique No Heat Temperature (température sans chaleur) n'est pas disponible sur les programmes de détection.

3 BOUTON START (mise en marche)

Appuyer sur ce bouton pour démarrer un programme.

GUIDE DES PROGRAMMES—PROGRAMMES DE DÉTECTION

Certains programmes ne sont pas disponibles sur certains modèles.

PROGRAMMES DE DÉTECTION—Détecte l'humidité présente dans la charge ou la température de l'air et s'éteint lorsque la charge atteint le degré de séchage sélectionné.

Selon le modèle, la température peut soit être sélectionnée à partir du bouton de programme, soit constituer une commande séparée.

Articles à sécher :	Programme :	Température :	Détails du programme :
Jeans, vêtements de travail lourds, serviettes	More Dry (plus sec)	Élevée	Permet d'obtenir le meilleur rendement de séchage en un minimum de temps. Le temps de séchage variera en fonction du type de tissu, du volume de la charge et du réglage de séchage.
Vêtements de travail, articles moyennement lourds, draps	Normal Dry (normal sec)	Moyenne	Choisir une température de séchage en fonction des tissus de votre charge. Si vous hésitez sur la température à sélectionner pour une charge donnée, choisir le réglage plus bas plutôt que le réglage plus élevé.
Tout-aller, chemisiers, pantalons, articles légers, synthétiques, tissus délicats, vêtements de sport	Less Dry (moins sec)	Basse	

GUIDE DES PROGRAMMES—SÉCHAGE MINUTÉ

Certains programmes ne sont pas disponibles sur certains modèles.

TIMED DRY (séchage minuté)—Fait fonctionner la sècheuse pour la durée spécifiée sur le module de commande. Selon le modèle, la température peut soit être sélectionnée à partir du bouton de programme, soit constituer une commande séparée.

Articles à sécher :	Programme :	Température :	Détails du programme :
Articles lourds ou volumineux	Heavy Duty* (séchage intense)	Toute température	Termine le séchage des articles encore humides.
Tout type de charge	Timed Dry (séchage minuté)	Toute température	Sèche les articles à un degré de séchage humide pour les articles qui ne nécessitent pas un programme de séchage complet. Choisir une température de séchage en fonction des tissus de votre charge. Si vous hésitez sur la température à sélectionner pour une charge donnée, choisir le réglage plus bas plutôt que le réglage plus élevé.
Caoutchouc, plastique et tissus sensibles à la chaleur	Timed Dry (séchage minuté)	Sans chaleur	Utiliser un réglage sans chaleur pour la mousse, le caoutchouc, le plastique et les tissus sensibles à la chaleur.
RÉGLAGES SPÉCIAUX†:			
Tout type de charge	Wrinkle Control† (anti-froissement)	Sans chaleur	Une fois un programme terminé, la charge est périodiquement culbutée afin d'éviter les faux-plis jusqu'à ce que les vêtements puissent être retirés.

*Les certifications de performance énergétique du gouvernement pour ce modèle sont fondées sur le programme Heavy Duty (séchage intense) utilisant le réglage de température maximum. Le cycle Normal configuré par défaut lorsque vous recevez cet appareil n'a pas été utilisé.

†Ces réglages sont ajoutés à la fin de certains programmes afin de réduire le froissement.

UTILISATION DE LA SÈCHEUSE

⚠ AVERTISSEMENT



Risque d'explosion

Garder les matières et les vapeurs inflammables, telle que l'essence, loin de la sècheuse.

Ne pas faire sécher un article qui a déjà été touché par un produit inflammable (même après un lavage).

Le non-respect de ces instructions peut causer un décès, une explosion ou un incendie.

⚠ AVERTISSEMENT



Risque d'incendie

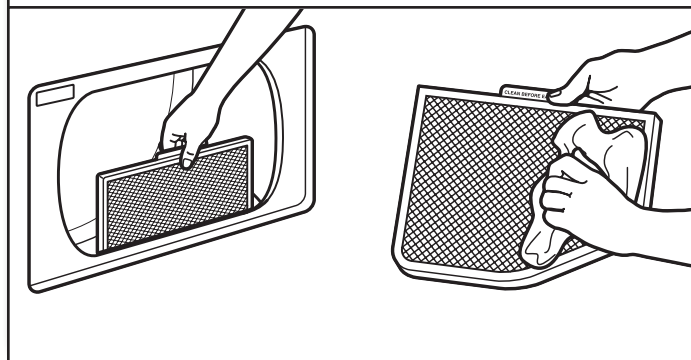
Aucune laveuse ne peut complètement enlever l'huile.

Ne pas faire sécher des articles qui ont été salis par tout genre d'huile (y compris les huiles de cuisson).

Les articles contenant mousse, caoutchouc ou plastique doivent être séchés sur une corde à linge ou par le programme de séchage à l'air.

Le non-respect de ces instructions peut causer un décès ou un incendie.

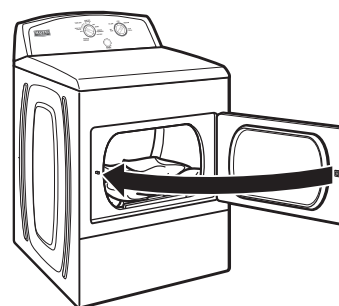
1. Nettoyer le filtre à charpie



Nettoyer le filtre à charpie avant chaque charge. Enlever le filtre à charpie en le tirant tout droit vers le haut. Enlever la charpie du filtre en la roulant avec les doigts. Ne pas rincer ni laver le filtre pour enlever la charpie. Remettre le filtre à charpie fermement en place.

Pour plus d'informations sur le nettoyage, voir "Entretien de la sècheuse."

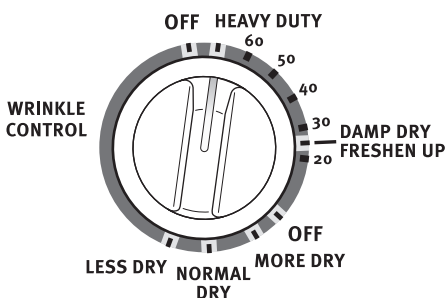
2. Charger la sècheuse



Placer le linge dans la sècheuse. Fermer la porte.

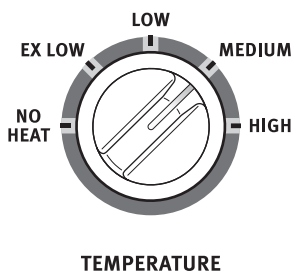
Ne pas surcharger la sècheuse; les vêtements doivent pouvoir culbuter librement.

3. Sélectionner le programme désiré



Sélectionner le programme souhaité pour la charge. Voir le "Guide des programmes" ou l'affichage pour plus d'informations sur chaque programme.

4. Sélectionner la température de séchage



Réglage de la température de séchage :

- On peut utiliser un réglage de chaleur High (élevée) pour sécher les articles lourds tels que les serviettes et les vêtements de travail.
- Un réglage de chaleur Low (faible) à Medium (moyenne) peut être utilisé pour sécher les articles moyennement lourds tels que draps, chemisiers, robes, sous-vêtements, tissus à pressage permanent et certains tricots.
- Utiliser un réglage No Heat (sans chaleur) (séchage à l'air) pour la mousse, le caoutchouc, le plastique ou les tissus sensibles à la chaleur. Sécher sur une corde à linge les tissus doublés ou multi-couches.

REMARQUE : Pour toute question concernant les températures de séchage pour diverses charges, consulter les instructions sur l'étiquette de soin.

Caractéristique Wrinkle Control (anti-froissement)

- Obtenez jusqu'à 90 minutes de culbutage périodique sans chaleur à la fin d'un programme.

5. Appuyer sur START (mise en marche) pour démarrer le programme



Appuyer sur le bouton START (mise en marche) pour démarrer le programme.

Retirer rapidement les vêtements une fois le programme terminé pour réduire le froissement.

ENTRETIEN DE LA SÈCHEUSE

Nettoyer l'emplacement de la sècheuse

Éviter de laisser autour de la sècheuse des éléments qui pourraient obstruer la circulation de l'air et empêcher le bon fonctionnement de la sècheuse. Ceci implique de dégager également les éventuelles piles de linge placées devant la sècheuse.

⚠ AVERTISSEMENT



Risque d'explosion

Garder les matières et les vapeurs inflammables, telle que l'essence, loin de la sècheuse.

Placer la sècheuse au moins 460 mm (18 po) au-dessus du plancher pour une installation dans un garage.

Le non-respect de ces instructions peut causer un décès, une explosion ou un incendie.

Nettoyage de l'intérieur de la sècheuse

Nettoyage du tambour de la sècheuse

1. Appliquer un nettoyant domestique liquide et ininflammable sur la surface tachée du tambour et frotter avec un linge doux jusqu'à ce que la tache soit supprimée.
2. Essuyer complètement le tambour avec un linge humide.
3. Faire culbuter une charge de linge ou de serviettes propres pour sécher le tambour.

REMARQUE : Les vêtements contenant des teintures instables, tels que jeans en denim ou articles en coton de couleur vive, peuvent décolorer l'intérieur de la sècheuse. Ces taches ne sont pas nocives pour votre sècheuse et ne tacheront pas les vêtements des charges futures. Sécher ces articles sur l'envers pour éviter de tacher le tambour.

Retirer la charpie accumulée

De l'intérieur de la caisse de la sécheuse

Retirer la charpie tous les deux ans, ou plus souvent, selon l'utilisation de la sécheuse. Le nettoyage doit être effectué par un personnel d'entretien qualifié.

Dans le conduit d'évacuation

Retirer la charpie tous les deux ans, ou plus souvent, selon l'utilisation de la sécheuse.

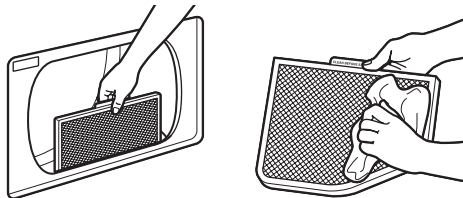
Nettoyer le filtre à charpie

Nettoyage avant chaque charge

Le filtre à charpie se trouve dans l'ouverture de la porte de la sécheuse. Un filtre obstrué de charpie peut augmenter la durée de séchage.

Nettoyage :

1. Enlever le filtre à charpie en le tirant tout droit vers le haut. Enlever la charpie du filtre en la roulant avec les doigts. Ne pas rincer ni laver le filtre pour enlever la charpie. La charpie mouillée s'enlève difficilement.



2. Remettre le filtre à charpie fermement en place.

IMPORTANT :

- Ne pas faire fonctionner la sécheuse avec un filtre à charpie déplacé, endommagé, bloqué ou manquant. Ceci peut entraîner une surchauffe et endommager la sécheuse et les tissus.
- Si de la charpie tombe dans la sécheuse au moment du retrait du filtre, vérifier le conduit d'évacuation et retirer la charpie. Voir "Vérification D'une Circulation D'air Adéquate pour le Système D'évacuation".

Nettoyage au besoin

Des résidus de détergent ou d'assouplisseur de tissu peuvent s'accumuler sur le filtre à charpie. Cette accumulation peut entraîner des temps de séchage plus longs, ou entraîner l'arrêt de la sécheuse avant que la charge ne soit complètement sèche. Si de la charpie tombe du filtre alors qu'il est dans la sécheuse, il est probablement obstrué.

Nettoyer le filtre à charpie avec une brosse de nylon tous les six mois ou plus fréquemment s'il se bouche en raison d'une accumulation de résidus.

Nettoyage :

1. Enlever la charpie du filtre en la roulant avec les doigts.
2. Mouiller les deux côtés du filtre à charpie avec de l'eau chaude.
3. Mouiller une brosse en nylon avec de l'eau chaude et du détergent liquide. Frotter le filtre avec la brosse pour enlever l'accumulation de résidus.



4. Rincer le filtre à l'eau chaude.
5. Bien sécher le filtre à charpie avec une serviette propre. Réinstaller le filtre dans la sécheuse.

Précautions à prendre avant les vacances, un entreposage ou un déménagement

Entretien en cas de non-utilisation ou d'entreposage

On ne doit faire fonctionner la sécheuse que lorsqu'on est présent. Si l'utilisateur doit partir en vacances ou n'utilise pas la sécheuse pendant une période prolongée, il convient d'exécuter les opérations suivantes :

1. Débrancher la sécheuse ou déconnecter la source de courant électrique.
2. Nettoyer le filtre à charpie. Voir "Nettoyer le filtre à charpie".

Précautions à prendre avant un déménagement

Sécheuses alimentées par cordon d'alimentation :

1. Débrancher le cordon d'alimentation électrique.
2. S'assurer que les pieds de nivellement sont solidement fixés à la base de la sécheuse.
3. Utiliser du ruban adhésif pour fixer la porte de la sécheuse.

⚠ AVERTISSEMENT



Risque de choc électrique

Déconnecter la source de courant électrique avant l'entretien.

Replacer pièces et panneaux avant de faire la remise en marche.

Le non-respect de ces instructions peut causer un décès ou un choc électrique.

Sécheuses avec raccordement direct :

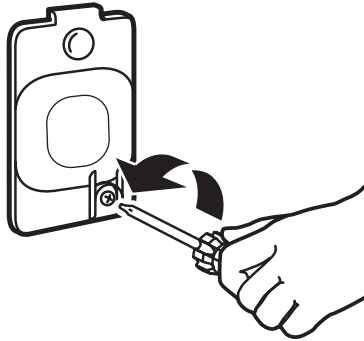
1. Déconnecter la source de courant électrique.
2. Déconnecter le câblage.
3. S'assurer que les pieds de nivellement sont solidement fixés à la base de la sécheuse.
4. Utiliser du ruban adhésif pour fixer la porte de la sécheuse.

Réinstallation de la sécheuse

Suivre les Instructions d'installation pour choisir l'emplacement, régler l'aplomb de la sécheuse et la raccorder.

Changement de la lampe du tambour (sur certain modèles)

1. Débrancher la sécheuse ou déconnecter la source de courant électrique.
2. Ouvrir la porte de la sécheuse. Trouver le couvercle de l'ampoule d'éclairage sur la paroi arrière de la sécheuse. À l'aide d'un tournevis Phillips, retirer la vis située à l'angle inférieur droit du couvercle. Enlever le couvercle.
3. Tourner l'ampoule dans le sens antihoraire. Remplacer l'ampoule uniquement par une ampoule de 10 watts pour appareil électroménager. Réinstaller le couvercle et le fixer avec la vis.
4. Brancher la sécheuse ou reconnecter la source de courant électrique.



DÉPANNAGE

Essayer d'abord les solutions suggérées ici ou consulter notre site Web www.maytag.com/help.
Au Canada, visitez www.maytag.ca pour obtenir de l'aide et éviter une intervention de réparation.

Si les phénomènes suivants se produisent	Causes possibles	Solution
Le séchage des vêtements n'est pas satisfaisant, les durées de séchage sont trop longues ou la charge est trop chaude	Le filtre à charpie est obstrué par de la charpie.	Le filtre à charpie doit être nettoyé avant chaque charge.
	La charge est trop grosse et trop lourde pour sécher rapidement.	Séparer la charge pour qu'elle culbute librement.
	Le conduit d'évacuation ou le clapet d'évacuation à l'extérieur est obstrué de charpie, restreignant le mouvement de l'air.	Faire fonctionner la sécheuse pendant 5 à 10 minutes. Tenir la main sous le clapet d'évacuation à l'extérieur pour vérifier le mouvement de l'air. Si aucun mouvement d'air n'est perceptible, ôter la charpie présente dans le système d'évacuation ou remplacer le conduit d'évacuation par un conduit en métal lourd ou flexible en métal. Voir les Instructions d'installation.
	Des feuilles d'assouplissant de tissu obstruent la grille.	Utiliser seulement une feuille d'assouplissant par charge et l'utiliser une seule fois.
	Le conduit d'évacuation ne possède pas la bonne longueur.	Vérifier que le conduit d'évacuation n'est pas trop long ou ne comporte pas trop de changements de direction. Un long conduit augmentera les durées de séchage. Voir les Instructions d'installation.
	Diamètre du conduit d'évacuation de taille correcte.	Utiliser un composant de 4" (102 mm) de diamètre.
	La sécheuse se trouve dans une pièce où la température ambiante est inférieure à 45 °F (7 °C).	Le bon fonctionnement des programmes de la sécheuse nécessite une température ambiante supérieure à 45 °F (7 °C).
La sécheuse ne fonctionne pas	Sécheuse placée dans un placard.	Les portes du placard doivent comporter des ouvertures d'aération au sommet et en bas de la porte. Un espace minimum de 1" (25 mm) est nécessaire à l'avant de la sécheuse et, pour la plupart des installations, un espace de 5" (127 mm) est nécessaire à l'arrière de la sécheuse. Voir les Instructions d'installation.
	La porte n'est pas bien fermée.	S'assurer que la porte de la sécheuse est complètement fermée.
	L'utilisateur n'a pas appuyé fermement sur le bouton Start (mise en marche) ou ne l'a pas maintenu appuyé pendant suffisamment longtemps.	Appuyer sans relâcher sur le bouton START (mise en marche) jusqu'à ce que le bruit du tambour de la sécheuse en mouvement se fasse entendre.
	Un fusible du domicile est grillé ou le disjoncteur est ouvert.	Les sécheuses électriques utilisent deux fusibles ou disjoncteurs. Le tambour peut tourner, mais sans chaleur. Remplacer le fusible ou réarmer le disjoncteur. Si le problème persiste, appeler un électricien qualifié.

DÉPANNAGE

Essayer d'abord les solutions suggérées ici ou consulter notre site Web www.maytag.com/help.
Au Canada, visitez www.maytag.ca pour obtenir de l'aide et éviter une intervention de réparation.

Si les phénomènes suivants se produisent	Causes possibles	Solution
La sècheuse ne fonctionne pas (suite)	Alimentation électrique incorrecte.	Les sècheuses électriques nécessitent une alimentation électrique de 240 V. Vérifier avec un électricien qualifié.
	Type de fusible incorrect.	Utiliser un fusible temporisé.
Sons inhabituels	Une sècheuse comporte une période de non-fonctionnement.	Si la sècheuse n'a pas été utilisée depuis quelque temps, il est possible qu'elle émette des bruits saccadés au cours des premières minutes de fonctionnement.
	Une pièce de monnaie, un bouton, un trombone sont coincés entre le tambour et l'avant ou l'arrière de la sècheuse.	Vérifier les bords avant et arrière du tambour pour voir si de petits objets y sont coincés. Vider les poches avant de faire la lessive.
	Il s'agit d'une sècheuse à gaz.	Le dé clic du robinet de gaz est un bruit de fonctionnement normal.
	Les quatre pieds ne sont pas installés et la sècheuse n'est pas d'aplomb de l'avant vers l'arrière et transversalement.	La sècheuse peut vibrer si elle n'est pas correctement installée. Voir les Instructions d'installation.
	Les vêtements sont emmêlés ou en boule.	Une charge en boule rebondit, ce qui fait vibrer la sècheuse. Séparer les articles dans la charge et remettre la sècheuse en marche.
Absence de chaleur	Un fusible du domicile est grillé ou le disjoncteur est ouvert.	Le tambour peut tourner, mais sans chaleur. Les sècheuses électriques utilisent deux fusibles ou disjoncteurs. Remplacer les deux fusibles ou réarmer le disjoncteur. Si le problème persiste, appeler un électricien qualifié.
	Robinet de la canalisation de gaz non ouvert.	Pour les sècheuses à gaz, le robinet de la canalisation d'alimentation est-il ouvert.
	Alimentation électrique incorrecte.	Les sècheuses électriques nécessitent une alimentation électrique de 240 V. Vérifier avec un électricien qualifié.
Temps de programme trop court	Un programme de détection se termine prématurément.	La charge n'est peut-être pas en contact avec les bandes de détection. Régler l'aplomb de la sècheuse. Utiliser le séchage minuté pour des charges de très petite taille. Modifier le réglage de degré de séchage pour les programmes de détection. L'augmentation ou la diminution du degré de séchage modifiera la durée de séchage d'un programme.
Charpie sur la charge	Filtre à charpie obstrué.	Le filtre à charpie doit être nettoyé avant chaque charge.
Taches sur la charge ou sur le tambour	Assouplissant de tissu pour sècheuse utilisé de manière incorrecte.	Ajouter les feuilles d'assouplissant de tissu au début du programme. Les feuilles d'assouplissant de tissu ajoutées à une charge partiellement sèche peuvent tacher les vêtements. Les taches sur le tambour sont dues aux teintures contenues dans les vêtements (les jeans en général). Elles ne se transmettront pas aux autres vêtements.
Charges froissées	Charge non retirée de la sècheuse à la fin du programme.	Sélectionner la caractéristique Wrinkle Control (antifroissement) pour faire culbuter la charge sans chaleur afin d'éviter le froissement.
	Les vêtements sont tassés dans la sècheuse.	Faire sécher de plus petites charges qui peuvent culbuter librement. Sécher des charges plus petites pouvant culbuter librement permet de réduire la formation de faux-plis.
Odeurs	Vous avez récemment employé de la peinture, de la teinture ou du vernis dans la pièce où votre sècheuse est installée.	Si c'est le cas, aérer la pièce. Une fois les odeurs ou émanations disparues, laver et sécher à nouveau les vêtements.
	La sècheuse électrique est utilisée pour la première fois.	Le nouvel élément d'émission de chaleur peut émettre une odeur. L'odeur disparaîtra après le premier programme.
La charge est trop chaude	Vous avez retiré des vêtements de la sècheuse avant la fin du programme.	Laisser le programme de refroidissement s'achever avant de retirer le linge de la sècheuse. Toutes les charges sont refroidies lentement pour réduire le froissement et faciliter leur manipulation. Des articles retirés avant la période de refroidissement peuvent sembler très chauds.
	Vous avez utilisé un programme à température élevée ou réglé l'option Dry Temperature (température de séchage) à une température élevée.	Sélectionner une température plus basse et utiliser un programme de séchage automatique. Ces programmes détectent la température ou le degré d'humidité de la charge, et l'appareil s'arrête lorsque la charge atteint le degré de séchage sélectionné. Ceci réduit le risque de séchage excessif.

Assistance or Service

Before calling for assistance or service, please check "Troubleshooting" or visit www.maytag.com/help. It may save you the cost of a service call. If you still need help, follow the instructions below. When calling, please know the purchase date and the complete model and serial number of your appliance. This information will help us to better respond to your request.

If you need replacement parts or to order accessories

We recommend that you use only FSP® Factory Specified Parts. These parts will fit right and work right because they are made with the same precision used to build every new MAYTAG® appliance.

To locate FSP® replacement parts or accessories go to www.maytagpartsonline.com.

Questions? Call us toll free at 1-800-344-1274 or in Canada call 1-800-688-2002.

Our consultants provide assistance with

In the U.S.A.

- Features and specifications on our full line of appliances.
- Installation information.
- Specialized customer assistance (Spanish speaking, hearing impaired, limited vision, etc.).

In the U.S.A. and Canada

- Use and maintenance procedures.
- Accessory and repair parts sales.
- Referrals to local dealers, repair parts distributors, and service companies. Maytag designated service technicians are trained to fulfill the product warranty and provide after-warranty service, anywhere in the United States and Canada.

You can write with any questions or concerns at:

Maytag Brand Appliances
Customer eXperience Center
553 Benson Road
Benton Harbor, MI 49022-2692
1-800-344-1274

Maytag Brand Appliances
Customer eXperience Centre
Unit 200-6750 Century Ave
Mississauga, Ontario L5N 0B7
1-800-688-2002

Please include a daytime phone number in your correspondence.

Assistance ou Service

Avant de faire un appel pour obtenir de l'assistance ou un entretien, vérifier la section "Dépannage" ou consulter www.maytag.com/help. Cette vérification peut vous faire économiser le coût d'une visite de réparation.

Si vous avez encore besoin d'aide, suivre les instructions ci-dessous.

Lors d'un appel, garder à portée de main la date d'achat et les numéros de modèle et de série de votre appareil. Ces renseignements nous aideront à mieux répondre à votre demande.

Pour commander des pièces de rechange ou des accessoires

Pour commander des pièces de rechange, nous vous recommandons d'utiliser seulement des pièces spécifiées par l'usine. Ces pièces conviendront et fonctionneront bien parce qu'elles sont fabriquées selon les mêmes spécifications précises utilisées pour construire chaque nouvel appareil MAYTAG®.

Pour trouver des pièces de rechange FSP® ou des accessoires, visiter le www.maytag.ca.

Des questions? Composer le numéro sans frais 1-800-688-2002.

Nos consultants fournissent l'assistance pour :

- Procédés d'utilisation et d'entretien.
- Vente d'accessoires et de pièces de rechange.
- Références aux concessionnaires, compagnies de service de réparation et distributeurs de pièces de rechange locaux. Les techniciens de service désignés par Maytag sont formés pour remplir la garantie des produits et fournir un service après la garantie, partout au Canada.

Pour plus d'assistance

Vous pouvez nous soumettre toute question ou tout problème en écrivant à l'adresse ci-dessous :

Maytag Brand Appliances
Centre pour l'eXpérience de la clientèle
Unit 200-6750 Century Ave
Mississauga, Ontario L5N 0B7
1-800-688-2002

Dans votre correspondance, veuillez indiquer un numéro de téléphone où nous pouvons vous joindre dans la journée.

