

ELECTRIC COOKTOP INSTALLATION INSTRUCTIONS

INSTRUCTIONS D'INSTALLATION DE LA TABLE DE CUISSON

Table of Contents / Table des matières

| | | | |
|--|---|--|----|
| COOKTOP SAFETY | 1 | SÉCURITÉ DE LA TABLE DE CUISSON | 7 |
| INSTALLATION REQUIREMENTS | 2 | EXIGENCES D'INSTALLATION | 7 |
| Tools and Parts..... | 2 | Outils et pièces | 7 |
| Location Requirements | 2 | Exigences d'emplacement | 7 |
| Electrical Requirements..... | 3 | Spécifications électriques..... | 8 |
| INSTALLATION INSTRUCTIONS | 4 | INSTRUCTIONS D'INSTALLATION | 9 |
| Prepare Cooktop for Installation | 4 | Préparation de la table de cuisson pour l'installation | 9 |
| Install Cooktop..... | 4 | Installation de la table de cuisson | 9 |
| Make Electrical Connection..... | 4 | Raccordement électrique | 9 |
| Complete Installation..... | 5 | Achever l'installation | 10 |

COOKTOP SAFETY

Your safety and the safety of others are very important.

We have provided many important safety messages in this manual and on your appliance. Always read and obey all safety messages.



This is the safety alert symbol.

This symbol alerts you to potential hazards that can kill or hurt you and others.

All safety messages will follow the safety alert symbol and either the word "DANGER" or "WARNING."

These words mean:

⚠ DANGER

You can be killed or seriously injured if you don't immediately follow instructions.

⚠ WARNING

You can be killed or seriously injured if you don't follow instructions.

All safety messages will tell you what the potential hazard is, tell you how to reduce the chance of injury, and tell you what can happen if the instructions are not followed.

IMPORTANT:

Save for local electrical inspector's use.

IMPORTANT :

À conserver pour consultation par l'inspecteur local des installations électriques.

INSTALLATION REQUIREMENTS

Tools and Parts

Gather the required tools and parts before starting installation. Read and follow the instructions provided with any tools listed here.

Tools needed

- Tape measure
- Marker or pencil
- ¼" (6.35 mm) nut driver
- Pliers
- Level

Parts supplied

- Foam strip

Parts needed

- A UL listed or CSA approved conduit connector
- UL listed wire connectors

Check local codes. Check existing electrical supply. See "Electrical Requirements."

It is recommended that all electrical connections be made by a licensed, qualified electrical installer.

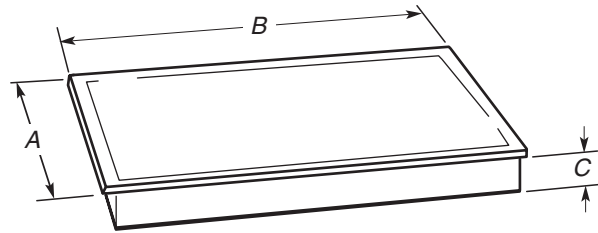
Location Requirements

IMPORTANT: Observe all governing codes and ordinances. When installing cooktop, use minimum dimensions given.

- To eliminate the risk of burns or fire by reaching over the heated surface units, cabinet storage space located above the surface units should be avoided. If cabinet storage is to be provided, the risk can be reduced by installing a range hood that projects horizontally a minimum of 5" (12.7 cm) beyond the bottom of the cabinets.
- The cooktop must be a specified cooktop that is approved to be installed either alone or over an undercounter built-in oven. Check the cooktop base for an approved installation label. If you do not find this label, contact your dealer to confirm that your cooktop is approved.
- Ovens approved for this type of installation will have an approval label located on the top of the oven. If you do not find this label, contact your dealer to confirm that your oven is approved. Refer to oven manufacturer's Installation Instructions for approval for built-in undercounter use and proper cutout dimensions.
- The cooktop should be installed away from strong draft areas, such as windows, doors, fans or strong heating vents. The cooktop should be located for convenient use in the kitchen.
- Use the countertop opening dimensions that are given with these Installation Instructions. Given dimensions are minimum clearances and provide 0" (0 cm) clearance.
- Grounded electrical supply is required. See "Electrical Requirements" section.

IMPORTANT: To avoid damage, check with your builder or cabinet supplier to make sure that the materials used will not discolor, delaminate or sustain other damage.

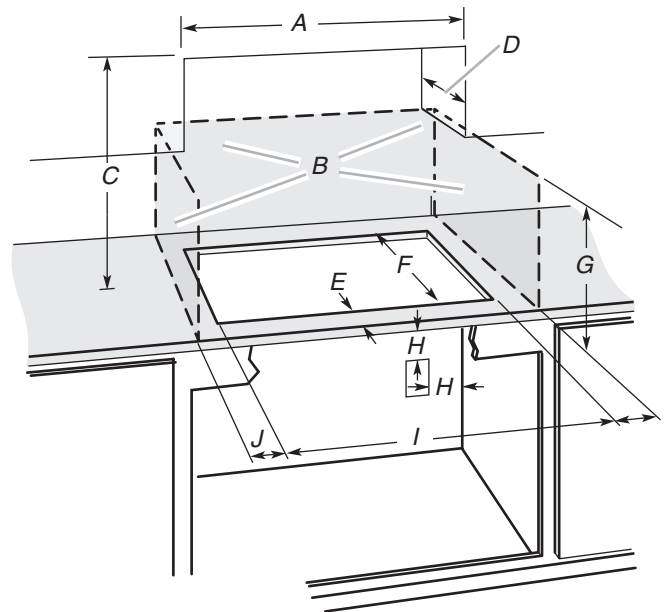
Product Dimensions



- A. 21½" (54.6 cm)
- B. 30" (76.2 cm) models - 30" (76.2 cm)
36" (91.4 cm) models - 35⅞" (89.7 cm)
- C. 3¾" (9.5 cm)

Cabinet Dimensions

IMPORTANT: If installing a range hood or microwave hood combination above the cooktop, follow the range hood or microwave hood combination installation instructions for dimensional clearances above the cooktop surface.



- A. 30" (76.2 cm) on 30" models; 36" (91.4 cm) on 36" models
- B. Combustible area above countertop (shown by dashed box above)
- C. 30" (76.2 cm) minimum clearance between top of cooktop platform and bottom of unprotected wood or metal cabinet (24" [61 cm] minimum clearance if bottom of wood or metal cabinet is protected by not less than ¼" [0.6 cm] flame retardant millboard covered with not less than No. 28 MSG sheet steel, 0.015" [0.04 cm] stainless steel, or 0.024" [0.06 cm] aluminum or 0.020" [0.05 cm] copper)
- D. 13" (33 cm) recommended upper cabinet depth
- E. 2⅝" (5.4 cm)
- F. 20⅜" +/- ⅛" (51.75 +/- 0.16 cm)
- G. 18" (45.7 cm) minimum clearance from upper cabinet to countertop within minimum horizontal clearances to cooktop
- H. Junction box or outlet: 6" (15.2 cm) minimum from top of countertop; 7" (17.8 cm) maximum from right side of cabinet
- I. 29⅞" +/- ⅛" (73.8 +/- 0.16 cm) on 30" (76.2 cm) models
34⅞" +/- ⅛" (87.8 +/- 0.16 cm) on 36" (91.4 cm) models
- J. 1" (2.5 cm) minimum distance to nearest left and right side combustible surface above cooktop

NOTES: After making the countertop cutout, some installations may require notching down the base cabinet side walls to clear the cooktop base. To avoid this modification, use a base cabinet with sidewalls wider than the cutout.

If cabinet has a drawer, a 4 1/8" (10.5 cm) depth clearance from the top of the countertop to the top of the drawer (or other obstruction) in base cabinet is required.

Electrical Requirements

⚠ WARNING



Electrical Shock Hazard

Disconnect power before servicing.

Use 8 gauge copper wire.

Electrically ground cooktop.

Failure to follow these instructions can result in death, fire, or electrical shock.

If codes permit and a separate ground wire is used, it is recommended that a qualified electrical installer determine that the ground path and wire gauge are in accordance with local codes.

Check with a qualified electrical installer if you are not sure the cooktop is properly grounded.

Make sure that the electrical connection and wire size are adequate and in conformance with the National Electrical Code, ANSI/NFPA 70-latest edition or CSA Standards C22.1-94, Canadian Electrical Code, Part 1 and C22.2 No. O-M91-latest edition, and all local codes and ordinances.

A copy of the above code standards can be obtained from:

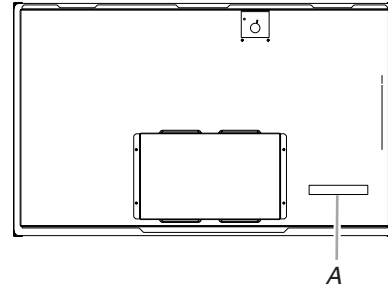
National Fire Protection Association
Batterymarch Park, Quincy, MA 02269

CSA International
8501 East Pleasant Valley Road
Cleveland, OH 44131-5575

Before You Make the Electrical Connection:

To properly install your cooktop, you must determine the type of electrical connection you will be using and follow the instructions provided for it here.

- A 3-wire or 4-wire, single phase, 240 volt, 60-Hz., AC only electrical supply is required on a separate, 40-amp circuit for 30" (76.2 cm) models or 50-amp circuit for 36" (91.4 cm) models, fused on both sides of the line. The model/serial number rating plate is located on the metal cabinet underneath the cooktop. See the following illustration.



A. Model/serial number plate

- The cooktop is rated 240 volt and does not have a neutral (white) wire.
- The cooktop should be connected directly to the junction box through flexible, armored or nonmetallic sheathed, copper cable. The flexible, armored cable extending from the fuse box or circuit breaker box should be connected directly to the junction box.
- Locate the junction box to allow as much slack as possible between the junction box and the cooktop so that the cooktop can be moved if servicing becomes necessary in the future.
- Do not cut the conduit. The length of conduit provided is for serviceability of the cooktop.
- A UL listed or CSA approved conduit connector must be provided at each end of the power supply cable (at the cooktop and at the junction box). A listed conduit connector is already provided at the cooktop.
- If the house has aluminum wiring follow the procedure below:
 1. Connect a section of solid copper wire to the pigtail leads.
 2. Connect the aluminum wiring to the added section of copper wire using special connectors and/or tools designed and UL listed for joining copper to aluminum.

Follow the electrical connector manufacturer's recommended procedure. Aluminum/copper connection must conform with local codes and industry accepted wiring practices.

INSTALLATION INSTRUCTIONS

Prepare Cooktop for Installation

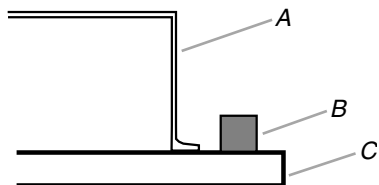
⚠ WARNING

Excessive Weight Hazard

Use two or more people to move and install cooktop.
Failure to do so can result in back or other injury.

1. Decide on the final location for the cooktop.
2. Using 2 or more people, place the cooktop upside down on a covered surface.
3. Remove foam strip from literature packing. Remove backing from foam strip. Apply foam strip adhesive-side down around bottom of cooktop, flush with edge.

NOTE: The foam strip keeps debris from the underside of the cooktop glass and helps the cooktop sit flat on uneven counters.



A. Cooktop base
B. Foam strip
C. Cooktop

Install Cooktop

1. Using 2 or more people, turn cooktop right side up.
2. Place cooktop in cutout.

NOTE: Make sure that the front edge of the cooktop is parallel to the front edge of the countertop. If repositioning is needed, lift entire cooktop up from cutout to avoid scratching the countertop.

Make Electrical Connection

⚠ WARNING



Electrical Shock Hazard

Disconnect power before servicing.

Use 8 gauge copper wire.

Electrically ground cooktop.

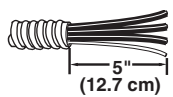
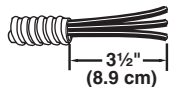
Failure to follow these instructions can result in death, fire, or electrical shock.

This cooktop is manufactured with the frame connected to the bare ground wire. Connect the cooktop cable to the junction box through the UL listed or CSA approved conduit connector.

1. Disconnect power.

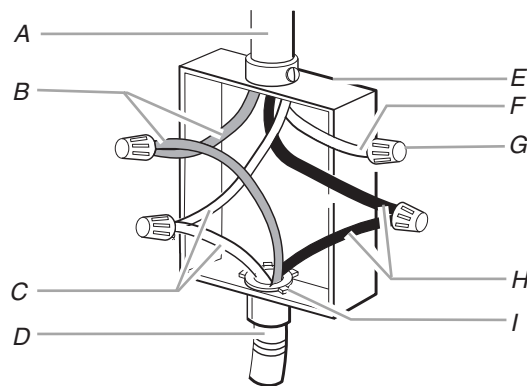
2. Remove junction box cover, if present.
3. Connect the flexible cable conduit from the cooktop to the junction box using a UL listed or CSA approved conduit connector.
4. Tighten screws on conduit connector if present.
5. See "Electrical Connection Options" chart to complete installation for your type of electrical connection.

Electrical Connection Options

| If your home has: | And you will be connecting to: | Go to Section: |
|--|---|-------------------------------------|
| 4-wire  | A fused disconnect or circuit breaker box | 4-Wire Cable from Home Power Supply |
| 3-wire  | A fused disconnect or circuit breaker box | 3-Wire Cable from Home Power Supply |

4-Wire Cable from Home Power Supply

IMPORTANT: Use the 4-wire cable from home power supply where local codes do not permit connecting the frame-ground conductor to the neutral (white) junction box wire:

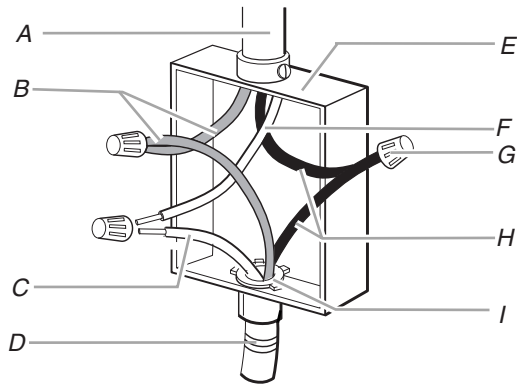


A. Cable from home power supply
B. Red wires
C. Green or bare ground wires
D. 3-wire cable from cooktop
E. Junction box
F. White wire (from home power supply)
G. UL listed wire connector
H. Black wires
I. UL listed or CSA approved conduit connector

1. Connect the 2 black wires together using the UL listed wire connectors.
2. Connect the 2 red wires together using the UL listed wire connectors.
3. Connect the green (or bare) ground wire from the cooktop cable to the green (or bare) ground wire (in the junction box) using the UL listed wire connectors.
4. Put a UL listed wire connector on the end of the white wire.
NOTE: Do not connect the bare ground wire to the neutral (white) wire in the junction box.
5. Install junction box cover.
6. Reconnect power.

3-Wire Cable from Home Power Supply

IMPORTANT: Use the 3-wire cable from power supply where local codes permit connecting the frame-ground conductor to the neutral (white) junction box wire.



- | | |
|---|--|
| A. Cable from home power supply | F. White wire (from home power supply) |
| B. Red wires | G. UL listed wire connector |
| C. Green (or bare) ground wire from cooktop | H. Black wires |
| D. 3-wire cable from cooktop | I. UL listed or CSA approved conduit connector |
| E. Junction box | |

1. Connect the 2 black wires together using the UL listed wire connectors.
2. Connect the 2 red wires together using the UL listed wire connectors.
3. Connect the green or bare cooktop cable wires to the white (neutral) wire in the junction box using the UL listed wire connectors.
4. Install junction box cover.
5. Reconnect power.

Complete Installation

1. Check that all parts are now installed. If there is an extra part, go back through the steps to see which step was skipped.
2. Check that you have all your tools.
3. Dispose of/recycle all packaging materials.
4. Use a mild solution of liquid household cleaner and warm water to clean cooktop before use. Dry thoroughly with a soft cloth. For more information, see the "Cooktop Care" section of the Use and Care Guide.
5. Read "Cooktop Use" in the cooktop Use and Care Guide.
6. Reconnect power.

NOTE: If the cooktop does not work after turning on the power, check that a circuit breaker has not tripped or a household fuse has not blown. See "Troubleshooting" section in the Use and Care Guide for further information.

If you need Assistance or Service:

Please reference the "Assistance or Service" section of the Use and Care Guide or contact the dealer from whom you purchased your cooktop.

Notes

SÉCURITÉ DE LA TABLE DE CUISSON

Votre sécurité et celle des autres est très importante.

Nous donnons de nombreux messages de sécurité importants dans ce manuel et sur votre appareil ménager. Assurez-vous de toujours lire tous les messages de sécurité et de vous y conformer.



Voici le symbole d'alerte de sécurité.

Ce symbole d'alerte de sécurité vous signale les dangers potentiels de décès et de blessures graves à vous et à d'autres.

Tous les messages de sécurité suivront le symbole d'alerte de sécurité et le mot "DANGER" ou "AVERTISSEMENT". Ces mots signifient :

⚠ DANGER

Risque possible de décès ou de blessure grave si vous ne suivez pas immédiatement les instructions.

⚠ AVERTISSEMENT

Risque possible de décès ou de blessure grave si vous ne suivez pas les instructions.

Tous les messages de sécurité vous diront quel est le danger potentiel et vous disent comment réduire le risque de blessure et ce qui peut se produire en cas de non-respect des instructions.

EXIGENCES D'INSTALLATION

Outils et pièces

Rassembler les outils et composants nécessaires avant d'entreprendre l'installation. Lire et observer les instructions fournies avec chacun des outils de la liste ci-dessous.

Outils nécessaires

- Mètre-ruban
- Marqueur ou crayon
- Tourne-écrou de ¼" (6,35 mm)
- Pince
- Niveau

Pièces fournies

- Bande de mousse

Pièces nécessaires

- Un connecteur de conduit (homologation UL ou CSA)
- Connecteurs de fils (homologation UL)

Consulter les codes locaux. Vérifier l'alimentation électrique existante. Voir "Spécifications électriques".

Il est recommandé de faire réaliser tous les raccordements électriques par un électricien qualifié agréé.

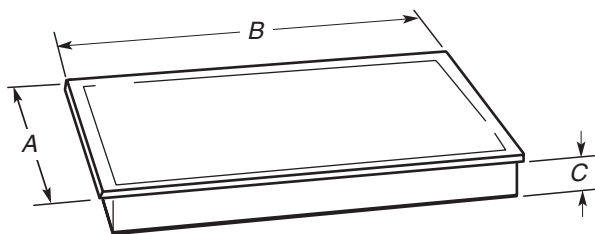
Exigences d'emplacement

IMPORTANT : Observer les dispositions de tous les codes et règlements en vigueur. Lors de l'installation de la table de cuisson, utiliser les dimensions minimums indiquées.

- Afin de supprimer le risque de brûlures ou d'incendie en se penchant au-dessus des unités de surface chauffées, le rangement en armoire au-dessus des unités de surface doit être évité. Si des placards de rangement sont envisagés, le risque peut être réduit par l'installation d'une hotte de cuisine dépassant le bas des placards d'au moins 5" (12,7 cm) horizontalement.
- La table de cuisson doit être spécifique, et son installation approuvée seule ou sur un four encastré sous comptoir. Vérifier que la base de la table de cuisson comporte une étiquette d'installation approuvée. Si vous ne trouvez pas cette étiquette, contactez votre vendeur pour confirmer que la table de cuisson est bien approuvée.
- Les fours approuvés pour ce type d'installation comportent une étiquette d'approbation située sur le dessus du four. Si vous ne trouvez pas cette étiquette, contactez votre vendeur pour confirmer que le four est bien approuvé. Consulter les Instructions d'installation du fabricant du four pour déterminer si l'utilisation en encastrement est approuvée et pour obtenir les dimensions correctes de l'ouverture.
- La table de cuisson doit être installée à l'écart des zones de forts courants d'air, telles que fenêtres, portes et événements ou ventilateurs de chauffage puissants. La table de cuisson doit être installée à un endroit pratique dans la cuisine.
- Utiliser les dimensions d'ouverture du plan de travail qui sont indiquées dans ces Instructions d'installation. Les dimensions données sont les espacements minimums et fournissent un dégagement de 0" (0 cm).
- Une source d'électricité avec liaison à la terre est nécessaire. Voir la section "Spécifications électriques".

IMPORTANT : Pour éviter tout dommage, consulter le constructeur de la maison ou le fabricant de placards pour déterminer si les matériaux utilisés peuvent subir un changement de couleur, une déstratification ou autres dommages.

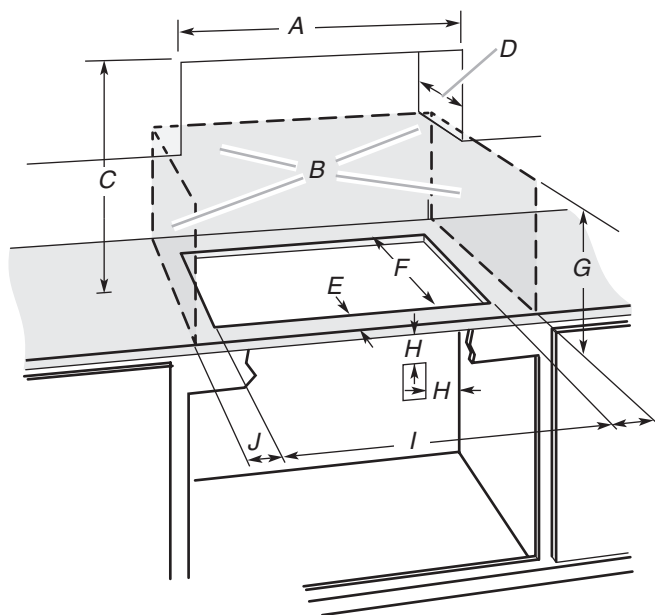
Dimensions du produit



- A. 21½" (54,6 cm)
- B. 30" (76,2 cm) sur les modèles de 30" (76,2 cm)
36" (91,4 cm) sur les modèles de 35⅞" (89,7 cm)
- C. 3¾" (9,5 cm)

Dimensions du placard

IMPORTANT : En cas d'installation d'une hotte ou d'un ensemble hotte/micro-ondes au-dessus de la cuisinière, suivre les instructions d'installation fournies avec la hotte concernant les dimensions de dégagement à respecter au-dessus de la surface de la table de cuisson.



- A. 30" (76,2 cm) sur modèles de 30"; 36" (91,4 cm) sur modèles de 36"
- B. Zone de matière combustible au-dessus du plan de travail (espace délimité par des lignes pointillées ci-dessus)
- C. Distance minimale de séparation de 30" (76,2 cm) entre le dessus de la table de cuisson et le fond d'un placard métallique ou de bois non couvert (distance de séparation minimale de 24" [61,0 cm] si le fond du placard de métal ou de bois est recouvert d'une plaque ignifugée d'au moins ¼" [0,6 cm], elle-même recouverte d'une feuille métallique d'une épaisseur correspondant à un calibre minimal de 28 pour l'acier, 0,015" [0,04 cm] pour l'acier inoxydable, 0,024" [0,06 cm] pour l'aluminium ou 0,020" [0,05 cm] pour le cuivre)
- D. Profondeur recommandée pour les placards supérieurs : 13" (33 cm)
- E. 2 ½" (5,4 cm)
- F. 20 ¾" +/- ⅛" (51,75 +/- 0,16 cm)
- G. Distance de séparation minimale de 18" (45,7 cm) entre le placard supérieur et le plan de travail avec distance minimale de séparation horizontale pour la table de cuisson
- H. Boîtier de connexion ou prise : 6" (15,2 cm) minimum à partir du dessus de la table de cuisson; 7" (17,8 cm) maximum à partir du côté droit du placard
- I. 29 ⅞" +/- ⅛" (73,8 +/- 0,16 cm) sur les modèles de 30" (76,2 cm)
34 ⅞" +/- ⅛" (87,8 +/- 0,16 cm) sur les modèles de 36" (91,4 cm)
- J. Distance de séparation minimale de 1" (2,5 cm) par rapport à la surface de matériau combustible la plus proche, à gauche ou à droite au-dessus de la table de cuisson

REMARQUES : Après le découpage de l'ouverture dans le plan de travail, il est possible que pour certaines configurations d'installation, il soit nécessaire d'entailler les parois latérales du placard inférieur pour permettre le passage de la base de la table de cuisson. Pour éviter cette modification, utiliser un placard inférieur dont la largeur des parois latérales est supérieure à celle de l'ouverture découpée.

Si le placard comporte un tiroir, on devra ménager une profondeur de 4 ⅞" (10,5 cm) ou plus entre le dessus du plan de travail et le sommet du tiroir (ou autre obstruction) dans le placard inférieur.

Spécifications électriques

⚠ AVERTISSEMENT



Risque de choc électrique

Déconnecter la source de courant électrique avant l'entretien.

Utiliser du fil en cuivre de calibre 8.

Relier la table de cuisson à la terre.

Le non-respect de ces instructions peut causer un décès, un incendie ou un choc électrique.

Si l'on utilise un conducteur distinct de liaison à la terre lorsque les codes le permettent, il est recommandé qu'un électricien qualifié vérifie que la liaison à la terre et la section des fils sont conformes aux codes locaux.

Vérifier avec un électricien qualifié si vous avez des doutes quant à la qualité de la liaison à la terre de la table de cuisson.

S'assurer que la connexion électrique et le calibre des fils sont appropriés et conformes au National Electrical Code, à la norme ANSI/NFPA 70 – dernière édition, ou à la norme CSA C22.1-94, au Code canadien de l'électricité, Partie 1 et C22.2 N° O-M91 – dernière édition, et à tous les codes et règlements locaux.

Pour obtenir un exemplaire des normes des codes ci-dessus, contacter :

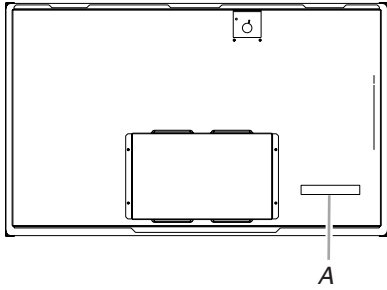
National Fire Protection Association
Batterymarch Park, Quincy, MA 02269

CSA International
8501 East Pleasant Valley Road
Cleveland, OH 44131-5575

Avant d'établir la connexion électrique :

Pour installer la table de cuisson correctement, il faut établir le type de raccords électriques que l'on utilisera et suivre les instructions indiquées ici.

- L'appareil doit être alimenté uniquement par un circuit monophasé en CA uniquement de 240 V et 60 Hz, à 4 fils ou 3 fils, sur un circuit séparé de 40 ampères pour les modèles de 30" (76,2 cm) ou un circuit de 50 A pour les modèles de 36" (91,4 cm), protégé par fusible à chaque extrémité du circuit. La plaque signalétique est située sur le placard métallique, sous la table de cuisson. Voir l'illustration ci-dessous.



A. Plaque signalétique

- La table de cuisson ne comporte pas de conducteur neutre (blanc) et sa capacité nominale est de 240 volts.
- La table de cuisson doit être raccordée directement au boîtier de connexion par l'intermédiaire d'un câble flexible à conducteur de cuivre (avec blindage ou gaine non métallique). Le câble blindé flexible sortant du boîtier de distribution (fusible ou disjoncteur) doit être raccordé directement au boîtier de connexion.

- Placer le boîtier de connexion pour laisser le plus de jeu possible entre celui-ci et la table de cuisson pour pouvoir déplacer la table de cuisson en cas de besoin de réparation à l'avenir.
- Ne pas couper le conduit. Utiliser toute la longueur du conduit fourni.
- Un connecteur de conduit homologué UL ou CSA doit être fourni à chaque extrémité du câble d'alimentation électrique (à la table de cuisson et au boîtier de connexion). Un connecteur de conduit homologué est déjà fourni à la table de cuisson.
- Si le domicile est équipé d'un câblage en aluminium, suivre les instructions suivantes :

1. Raccorder une section de câble en cuivre massif aux conducteurs en queue de cochon.
2. Connecter le câblage en aluminium à la section ajoutée de câblage en cuivre en utilisant des connecteurs et/ou des outils spécialement conçus et homologués UL pour fixer le cuivre à l'aluminium.

Suivre la procédure recommandée par le fabricant de connecteurs électriques. La connexion aluminium/cuivre doit être conforme aux codes locaux et aux pratiques de câblage acceptées par l'industrie.

INSTRUCTIONS D'INSTALLATION

Préparation de la table de cuisson pour l'installation

AVERTISSEMENT

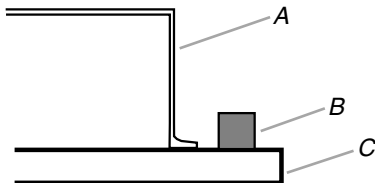
Risque du poids excessif

Utiliser deux ou plus de personnes pour déplacer et installer la table de cuisson.

Le non-respect de cette instruction peut causer une blessure au dos ou d'autre blessure.

1. Déterminer l'emplacement final de la table de cuisson.
2. À l'aide de deux personnes ou plus, placer la table de cuisson à l'envers sur une surface couverte.
3. Enlever la bande de mousse du sachet de documentation. Retirer l'endos de la bande de mousse. Appliquer le côté adhésif de la bande de mousse autour du fond de la table de cuisson, en affleurement avec le rebord.

REMARQUE : La bande de mousse protège la face inférieure du verre de la table de cuisson de tout résidu et permet à la table de cuisson de reposer à plat sur des plans de travail irréguliers.



A. Base de la table de cuisson
B. Bande de mousse
C. Table de cuisson

Installation de la table de cuisson

1. Tourner le côté droit de la table de cuisson vers le haut.
2. À l'aide d'au moins deux personnes, placer la table de cuisson dans l'encastrement.

REMARQUE : S'assurer que le bord avant de la table de cuisson est parallèle au bord avant du plan de travail. S'il est nécessaire de repositionner la table de cuisson, la soulever entièrement de l'ouverture pour éviter de rayer le plan de travail.

Raccordement électrique

AVERTISSEMENT



Risque de choc électrique

Déconnecter la source de courant électrique avant l'entretien.

Utiliser du fil en cuivre de calibre 8.

Relier la table de cuisson à la terre.

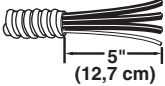
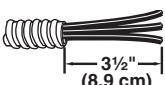
Le non-respect de ces instructions peut causer un décès, un incendie ou un choc électrique.

Cette table de cuisson est préconfigurée avec le châssis connecté au conducteur nu de liaison à la terre. Raccorder le câble de la table de cuisson au boîtier de connexion à l'aide du connecteur de conduit homologué UL ou CSA.

1. Déconnecter la source de courant électrique.
2. Enlever le couvercle du boîtier de connexion, le cas échéant.
3. Avec le connecteur de conduit (homologation UL ou CSA), connecter le conduit de câble flexible de la table de cuisson au boîtier de connexion.
4. Serrer les vis du connecteur de conduit, le cas échéant.

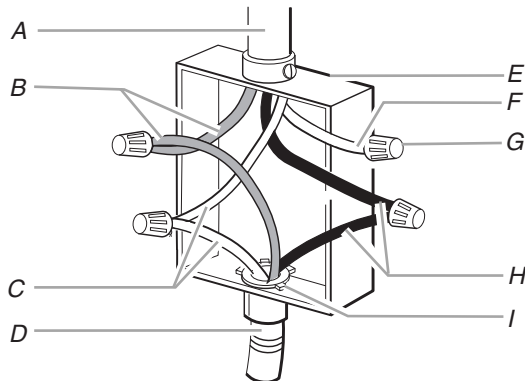
5. Voir le tableau “Options de raccordement électrique” pour terminer l’installation correspondant à votre type de raccordement électrique.

Options de raccordement électrique

| Si le domicile comporte : | Point de distribution : | Voir la section suivante : |
|--|---|--|
| 4 conducteurs  | Disjoncteur ou coupe-circuit avec fusible | Câble à 4 conducteurs depuis l’alimentation électrique du domicile |
| 3 conducteurs  | Disjoncteur ou coupe-circuit avec fusible | Câble à 3 conducteurs depuis l’alimentation électrique du domicile |

Câble à 4 conducteurs depuis l’alimentation électrique du domicile

IMPORTANT : Si les codes locaux ne permettent pas le raccordement du conducteur de liaison à la terre du châssis au conducteur neutre (blanc) dans le boîtier de connexion, utiliser le câble à 4 conducteurs provenant du point de distribution du domicile :



- | | |
|---|--|
| A. Câble depuis l’alimentation électrique du domicile | F. Conducteur blanc (depuis l’alimentation électrique du domicile) |
| B. Conducteurs rouges | G. Connecteur de fils (homologation UL) |
| C. Conducteurs verts ou nus de liaison à la terre | H. Conducteurs noirs |
| D. Câble à 3 conducteurs depuis la table de cuisson | I. Connecteur de conduit (homologation UL ou CSA) |
| E. Boîtier de connexion | |

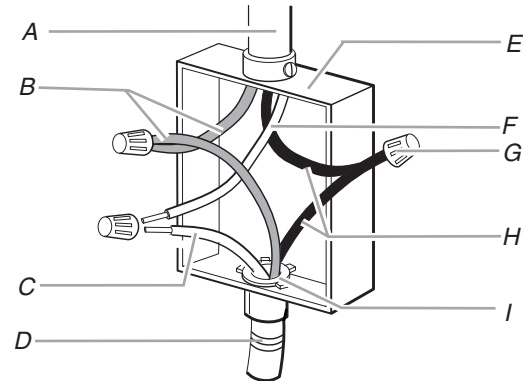
1. Connecter ensemble les 2 conducteurs noirs avec les connecteurs de fils (homologation UL).
2. Connecter ensemble les 2 conducteurs rouges avec les connecteurs de fils (homologation UL).
3. Connecter le conducteur vert (ou nu) de liaison à la terre du câble de la table de cuisson avec le conducteur vert (ou nu) de liaison à la terre (dans le boîtier de connexion) avec les connecteurs de fils (homologation UL).
4. Placer un connecteur de fils (homologation UL) à l’extrémité du conducteur blanc.

REMARQUE : Ne pas connecter le conducteur nu de liaison à la terre au conducteur neutre (blanc) dans le boîtier de connexion.

5. Installer le couvercle du boîtier de connexion.
6. Reconnecter la source de courant électrique.

Câble à 3 conducteurs depuis l’alimentation électrique du domicile

IMPORTANT : Utiliser le câble à 3 conducteurs depuis le point de distribution lorsque les codes locaux en vigueur permettent le raccordement entre le conducteur de liaison à la terre du châssis et le conducteur neutre (blanc) dans le boîtier de connexion.



- | | |
|---|--|
| A. Câble depuis l’alimentation électrique du domicile | F. Conducteur blanc (depuis l’alimentation électrique du domicile) |
| B. Conducteurs rouges | G. Connecteur de fils (homologation UL) |
| C. Conducteur vert (ou nu) de liaison à la terre depuis la table de cuisson | H. Conducteurs noirs |
| D. Câble à 3 conducteurs depuis la table de cuisson | I. Connecteur de conduit (homologation UL ou CSA) |
| E. Boîtier de connexion | |

1. Connecter ensemble les 2 conducteurs noirs avec les connecteurs de fils (homologation UL).
2. Connecter ensemble les 2 conducteurs rouges avec les connecteurs de fils (homologation UL).
3. Connecter le conducteur vert ou nu de la table de cuisson au conducteur blanc (neutre) dans le boîtier de connexion avec les connecteurs de fils (homologation UL).
4. Installer le couvercle du boîtier de connexion.
5. Reconnecter la source de courant électrique.

Achever l’installation

1. Vérifier que toutes les pièces sont maintenant installées. S’il reste une pièce, passer en revue les différentes étapes pour découvrir laquelle aurait été oubliée.
2. Vérifier la présence de tous les outils.
3. Éliminer/recycler les matériaux d’emballage.
4. Avant d’utiliser la table de cuisson, utiliser une solution douce de nettoyant domestique et d’eau tiède pour la nettoyer. Sécher parfaitement avec un linge doux. Pour plus de renseignements, voir la section “Entretien de la table de cuisson” du Guide d’utilisation et d’entretien.
5. Lire “Utilisation de la table de cuisson” dans le Guide d’utilisation et d’entretien de la table de cuisson.
6. Reconnecter la source de courant électrique.

REMARQUE : Si la table de cuisson ne fonctionne pas après la mise sous tension, vérifier que le disjoncteur ne s’est pas déclenché ou que les fusibles ne sont pas grillés. Voir la section “Dépannage” dans le Guide d’utilisation et d’entretien pour plus de renseignements.

Si vous avez besoin d’assistance ou de service :

Consulter la section “Assistance ou service” du Guide d’utilisation et d’entretien ou contacter le marchand auprès duquel la table de cuisson a été achetée.

Notes

