



Gas Built-in Cooktop

PRODUCT MODEL NUMBERS

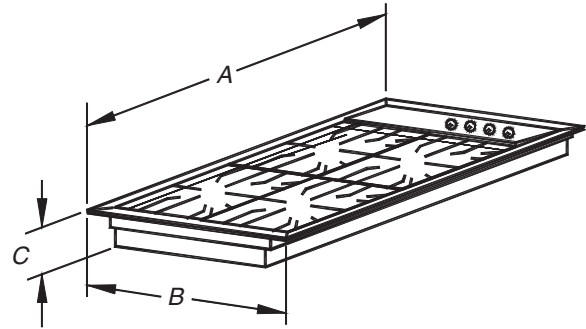
MGC8630W
MGC8636W

Gas Supply: This cooktop is factory set for use with Natural gas. Cooktop can be converted to LP gas. Provide a gas supply line of $\frac{3}{4}$ " (1.9 cm) rigid pipe to the cooktop location. A smaller size pipe on longer runs may result in insufficient gas supply. Pipe-joint compounds that resist the action of LP gas must be used. Do not use TEFLON® tape. With LP gas, piping or tubing size can be $\frac{1}{2}$ " minimum. Usually, LP gas suppliers determine the size and materials used in the system.

Electrical: A 120 volt, 60 Hz., AC only, 15-amp fused, electrical circuit is required. A time-delay fuse or circuit breaker is also recommended. It is recommended that a separate circuit serving only this cooktop be provided.

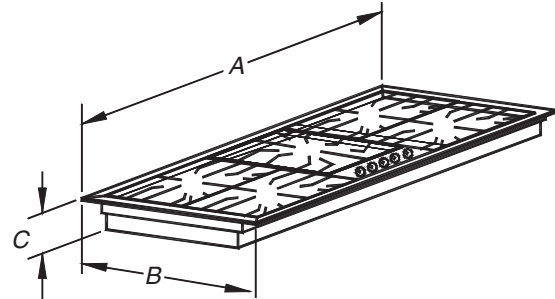
OVERALL DIMENSIONS

30" (76.2 cm) Model



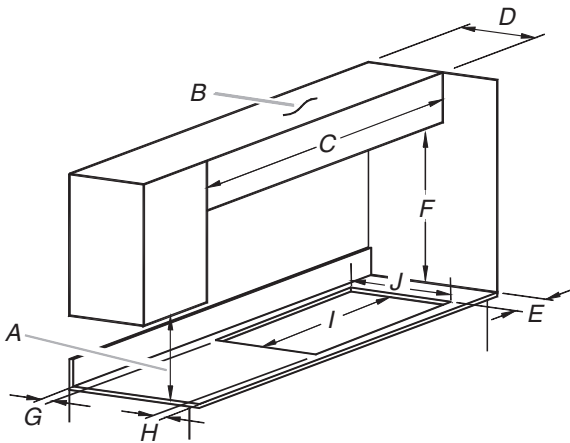
A. 30" (76.2 cm)
B. 20 $\frac{1}{8}$ " (51.1 cm)
C. 2 $\frac{27}{32}$ " (7.2 cm)

36" (91.4 cm) Model



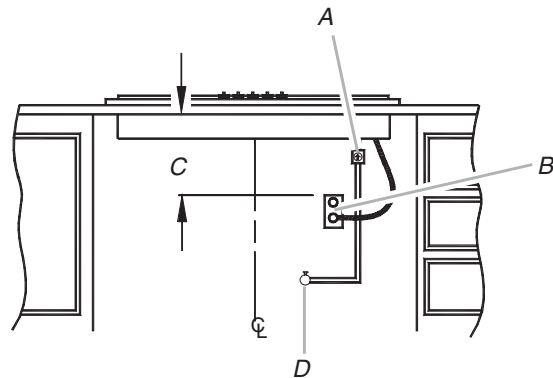
A. 36" (91.4 cm)
B. 20 $\frac{1}{8}$ " (51.1 cm)
C. 2 $\frac{27}{32}$ " (7.2 cm)

Installation Clearances



- A. 18" (45.7 cm) minimum clearance upper cabinet to countertop
- B. Cabinet
- C. 30" (76.2 cm) on 30" (76.2 cm) models
36" (91.4 cm) on 36" (91.4 cm) models
- D. 13" (33 cm) maximum recommended upper cabinet depth
- E. 6" (15.2 cm) minimum side wall clearance
- F. 30" (76.2 cm) minimum clearance between top of cooktop platform and bottom of unprotected wood or metal cabinet (24" [61 cm] minimum clearance if bottom of wood or metal cabinet is protected by not less than $\frac{1}{4}$ " [0.6 cm] flame retardant millboard covered with not less than No. 28 MSG sheet steel, 0.015" [0.04 cm] stainless steel, or 0.024" [0.06 cm] aluminum or 0.020" [0.05 cm] copper)
- G. 2 $\frac{5}{16}$ " (5.9 cm) minimum distance to rear combustible surface
- H. 3 $\frac{3}{16}$ " (8.1 cm) minimum distance to front countertop edge
- I. Cutout width - 29 $\frac{3}{8}$ " (74.6 cm) on 30" models; 35 $\frac{3}{8}$ " (89.9 cm) on 36" models
- J. Cutout depth - 19 $\frac{1}{2}$ " (49.5 cm)

Gas and Electric Connection Locations



- A. Gas pressure regulator (supplied) - arrow pointed toward cooktop
- B. 3 prong grounding type outlet with correct polarity
- C. 18" (45.7 cm) minimum
- D. Gas shutoff valve