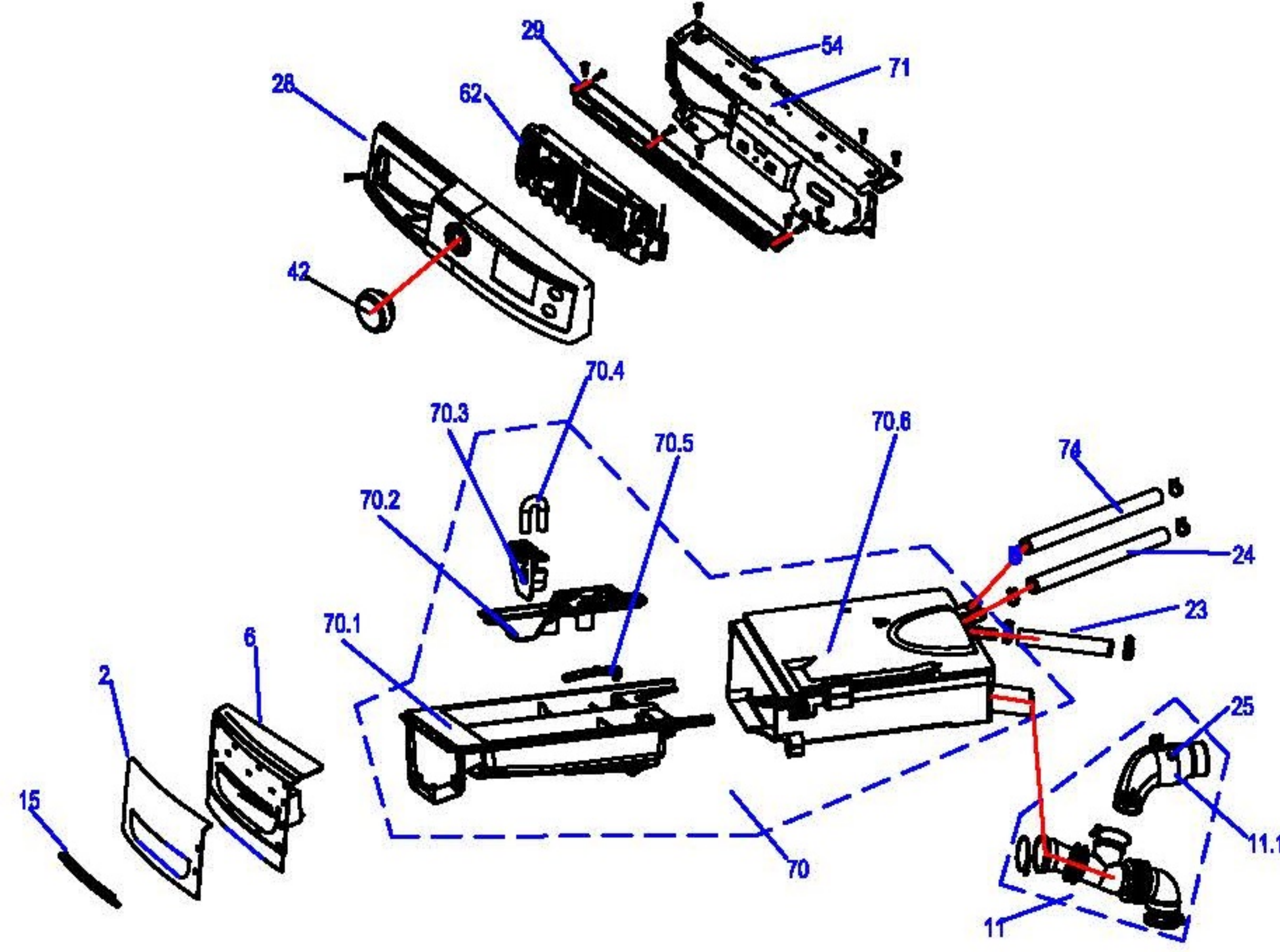
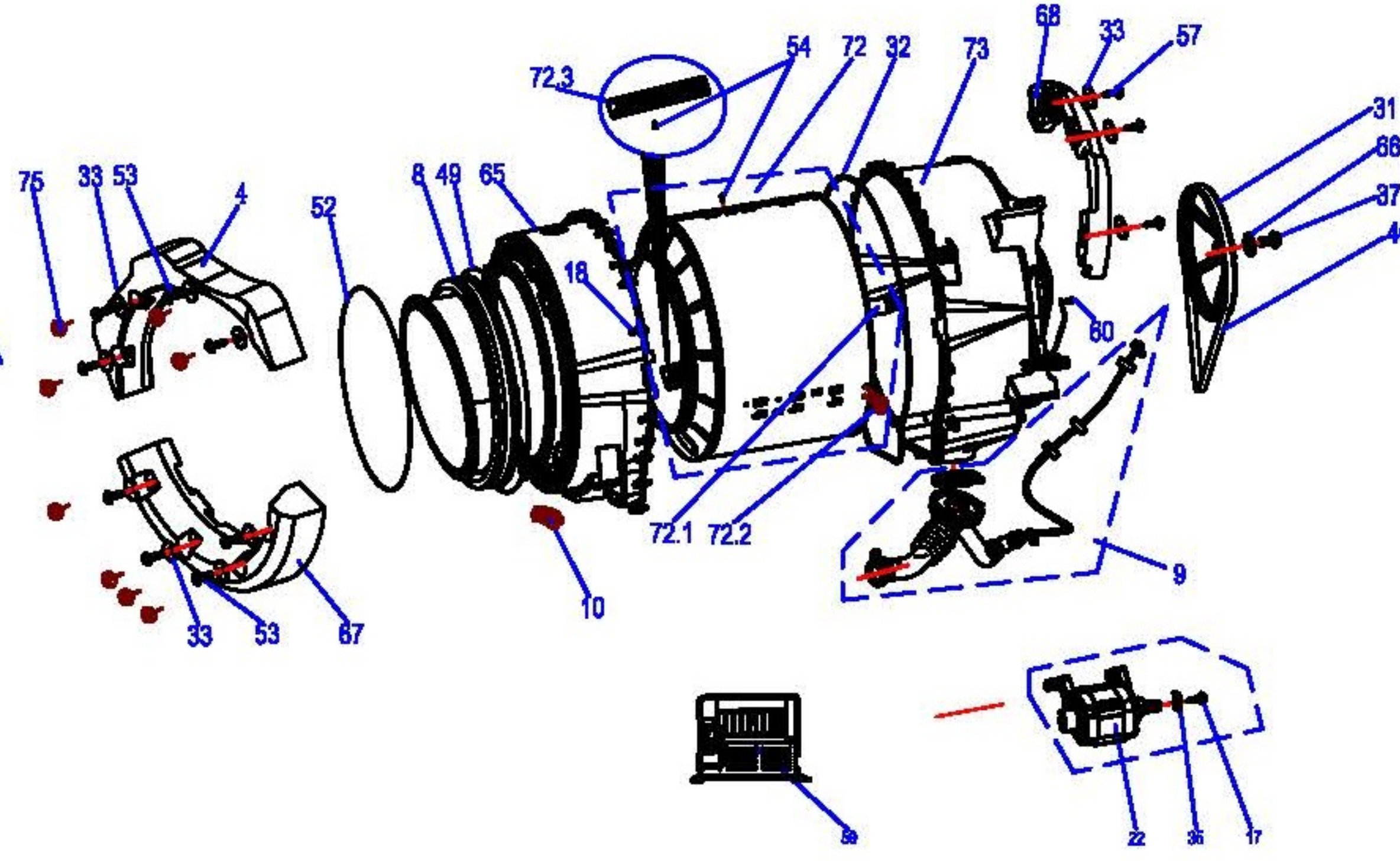


由 Autodesk 教育版产品制作

dispenser & control panel



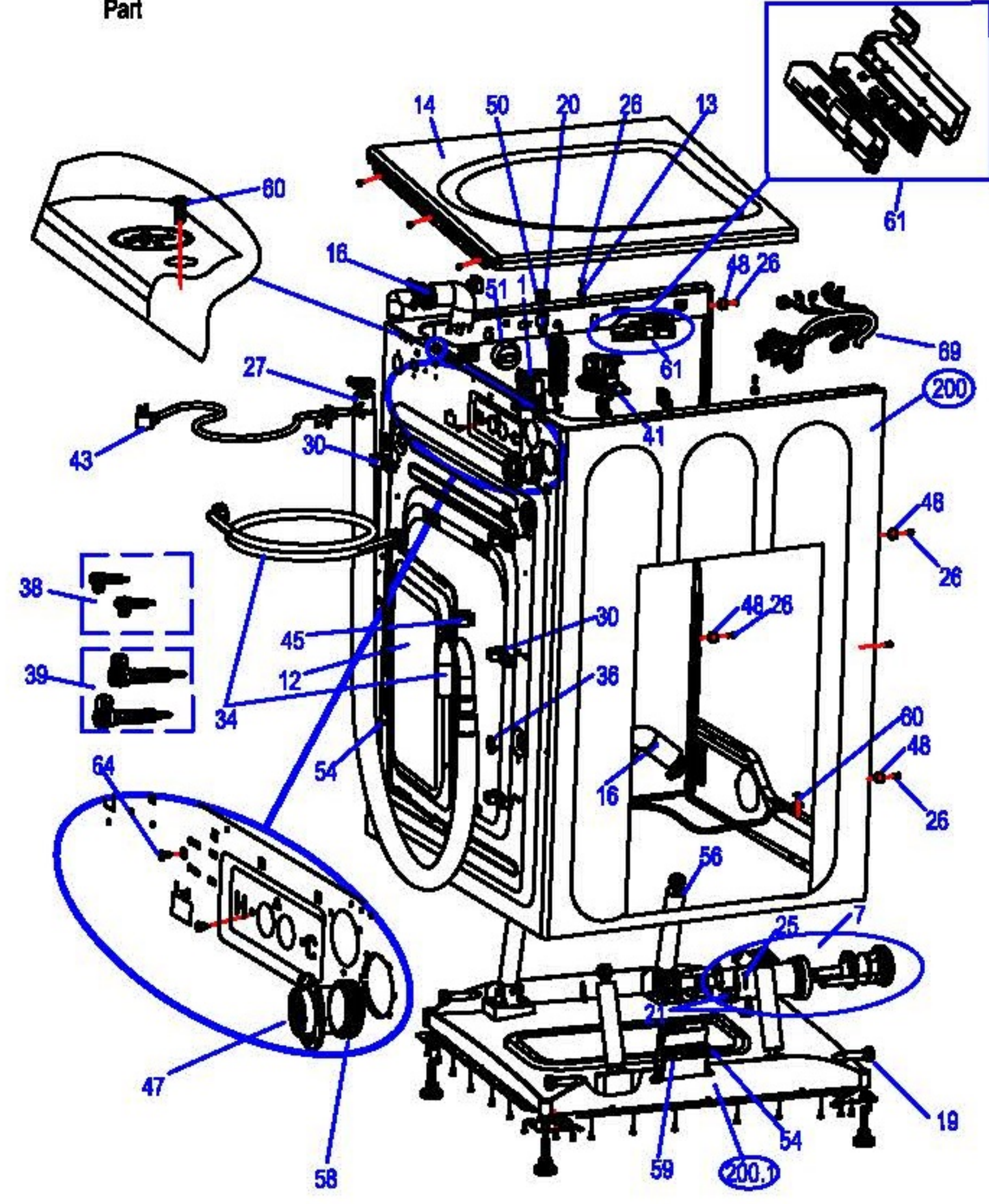
tub & motor & interver



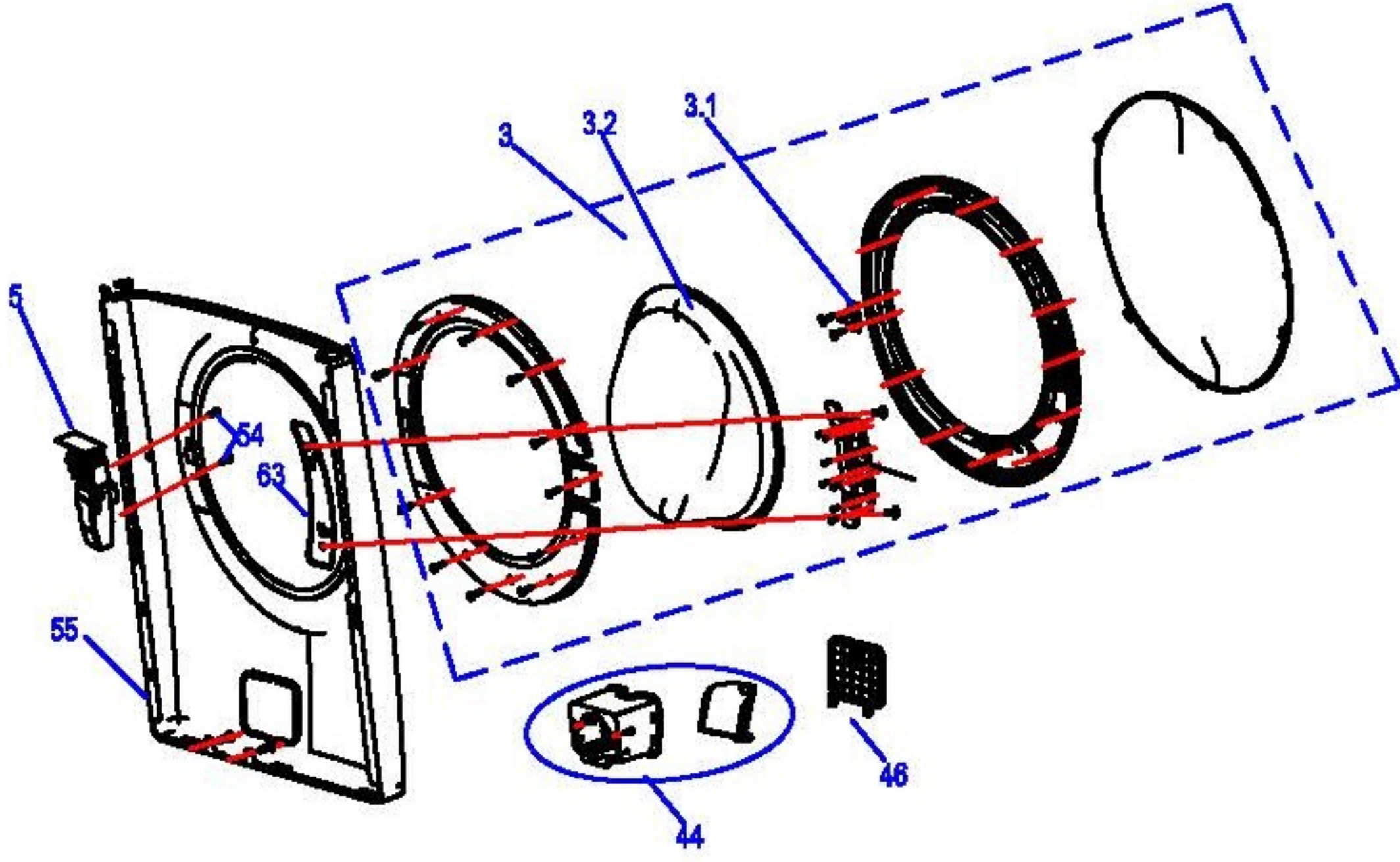
由 Autodesk 教育版产品制作

○ Non-Service Part

CABINET & TOP PANEL



FRONT PANEL & DOOR



由 Autodesk 教育版产品制作

由 Autodesk 教育版产品制作

Exploded View

产品编码(Product model) : 92038110Z01757
 客户编码(Customer No) : E0202601
 客户型号(Customer model) : MLH52N4AWW
 订单编号(Order Product Code) : 62381-F9235201

EX_ID	Spare Parts Code	Part Name(CN)	Part Name(EN)	Qty.	Remark2	Part Status	Drawing No	MIN_ORDER_QTY	Long Term Material(Y or N)	High Rate of Replacement(Y or N)	SB Type	Replace Type	Remarks
1	17438100001354	滤波器组件	Electric Filter Assembly	1		In Use	LBO-16A-25-CP-11	1					
2	12138100027891	分配器盒把手饰件	Drawer Handle Decoration	1		In Use	MFH210-G1301DS_F01E-US-001021	1					
3	12138100027086	门部架	Door Subassembly	1		In Use	MFH210-G1301DS_F01E-US-6	1					
3.1	12338100002201	门钩	Door Plunger	1		In Use	MFH210-G1303DS_F01E-KR-6049	1					
3.2	12538100000061	门玻璃	Door Glass	1		In Use	WDRLO2000000002	1					
4	12738100000582	上平衡块	Upper Counterweight	1		In Use	MFH180-G1302DS_F01E-US-3028	1					
5	17438100000466	门锁	Door Lock	1		In Use	WDKAO013000000	1					
6	12138100022516	拉手(无印刷)	Handle	1		In Use	MFH210-G1301DS_F01E-US-001011	1					
7	11001011000121	永磁同步泵	Permanent Magnet Synchronous Pump	1		In Use	TP-75-40-2-4L	1					
8	12638100003002	门密封胶	Door Gasket	1		In Use	MFH180-G1302DS_F01E-US-304017	1					
9	12638100003001	外桶排水管组件	Tab Drain Hose Assembly	1		In Use	MFH180-G1302DS_F01E-US-303	1					
10	11201007000152	液温传感器	Liquid Temperature Sensor	1		In Use	CGQ-WD'Y'W3760	1					
11	12638100003003	外桶进水管组件	Tab Water Inlet Hose Assembly	1		In Use	MFH180-G1302DS_F01E-US-302	1					
11.1	12138100003766	通风装置	Vent_hose	1		In Use	WPA0300000017	1					
12	12238100005581	后封门	Rear Cover	1		In Use	MFH210-G1301DS_F01E-US-0062	1					
13	12138100010017	顶盖定位销	Top Cover Pin	2		In Use	WMAA0100000002	1					
14	12238100008072	顶盖组件	Top Cover Assembly	1		In Use	MFH180-G1302DS_F01E-US-003	1					
15	12138100022518	拉手装饰条	Handle_Trim	1		In Use	MFH210-G1301DS_F01E-US-001031	1					
16	12138100003964	排水管	Drain Hose	1		In Use	WMAA00040000001	1					
17	113010020000028	六角头螺栓和弹簧垫圈及平垫圈组合件	Bolt and spring washer and plain washer	1		In Use	MJ16-00101	1					
18	11303220000025	十字槽六角头凸缘自攻螺钉	Tapping screw	23		In Use	MJ02-00511	1					
19	12138100003923	减震器销	Damper Pin	4		In Use	WMAA0000000009	1					
20	12138100003064	弹簧支架	Spring Support	2		In Use	WMAA0000000002	1					
21	12638100000316	排水泵减振垫	Pump_rubber_isolator	2		In Use	WMAA0000000020	1					
22	11002013001151	三相异步电机	Three Phase Asynchronous Motor	1		In Use	YXT-430-4-7L	1					
23	12638100000328	进水管	Water Inlet Pipe	1		In Use	WDA0A00300000021	1					
24	12038100000013	进水管	Water Inlet Pipe	1		In Use	WDA0A00300000031	1					
25	113010140000004	十字槽盘头自攻螺钉和垫圈组合件	Tapping screw and plain washer	3		In Use	MJ16-00002	1					
26	113032230000235	十字槽盘头自攻螺钉	Tapping screw	6		In Use	MJ02-00448	1					
27	12138100002976	排水管组件	Drain Hose Assembly	1		In Use	WMAA00050000001	1					
28	12138100027890	控制面板组件	Control Panel Assembly	1		In Use	MFH210-G1301DS_F01E-US-401	1					
29	12138100021908	控制面板后盖	Control_rear_cover	1		In Use	MFH210-G1301DS_F01E-US-4021	1					
30	12138100003954	外管卡	Wire_catch	2		In Use	WMAA0000000019	1					
31	12338100000146	皮带轮	Pulley	1		In Use	WDDA0300000010	1					
32	12638100000175	外桶密封条	Tab Seal	1		In Use	WDDA0300000007	1					
33	113004100000029	平垫圈	PlainWasher	11		In Use	MJ14-00107	1					
34	16338100001841	附件组件	Accessory Assembly	1		In Use	MFH210-G1301DS_F01E-US-016	1					
35	12238100000802	电机垫片	Motor_washer	1		In Use	WIBA03000000020	1					
36	12138100003906	运输螺钉孔盖	Shipping_screw_cover	4		In Use	WMAA0000000023	1					
37	113018060000007	六角头螺栓	Hexagon head bolt	1		In Use	MJ05-00008	20					
38	12138100003891	短运输螺栓组件	Shipping_bolt(short)_sub	2		In Use	WDMF0006020000	1					
39	12138100003903	长运输螺栓组件	Shipping_bolt_sub	2		In Use	WDMF0006010000	1					
40	12638100000246	皮带	Belt	1		In Use	WDDA0300000011	1					
41	17438100000417	进水管	Water Inlet Valve	1		In Use	WDA0008000000	1					
42	12138200004001	旋钮组件	Knob Assembly	1		In Use	MDH210-V012_B01EHS-US-6	1					
43	17438100001072	美标电源线	American standard power cord	1		In Use	MFG60-ES1002_A0748ED-LA20-DQ02-X	1					
44	12138100021909	防护罩组件	Access_door_shield_sub	1		In Use	MFH210-G1301DS_F01E-US-002	1					
45	12138100003956	内管卡	Wire_catch	2		In Use	WMAA0000000018	1					
46	12138100021906	服务板小门	Service Panel Door	1		In Use	MFH210-G1301DS_F01E-US-0051	1					
47	12138100003926	通气管接口	Vent_hose_coupling	1		In Use	WMAA0000000008	1					
48	12138100003774	前封门定位销	Front_panel_pin	4		In Use	WMAA0100000004	1					
49	12938100000021	门密封胶卡箍	Door Gasket Clamp	1		In Use	WDMF0307000000	1					
50	12900101002580	悬挂弹簧	Suspension Spring	2		In Use	MFH180-G1302DS_F01E-US-0019	1					
51	112010050000003	水位传感器	Water level sensor	1		In Use	CGQ-SW-316-02	1					
52	12938100000103	门密封胶卡箍	Gasket_outside_clamp	1		In Use	WDMF0000000014	1					
53	11301808000010	平衡块螺栓	Counterbalance bolt	8		In Use	MJ05-00132	10					
54	113032230000128	十字槽盘头自攻螺钉	Cross slotted self tapping screw	6		In Use	MJ02-00308	1					
55	12238100008074	前封门	Front Panel	1		In Use	MFH180-G1302DS_F01E-US-0042	1					
56	12938100001322	减震器	Damper	4		In Use	MFH210-G1301DS_F01E-US-0128	1					
57	113032020000007	六角头凸缘自攻螺钉	Tapping screw	3		In Use	MJ02-00022	1					

58	1263810000294	密封胶	Sealed Gasket	1		In Use	WPA0300000019	1					
59	17138100021372	变频器	Frequency-Converter	1		In Use	MFH180-G1302DS_F01E-US-DQ2	1					
60	11301225000094	十字槽六角头凸缘螺钉	Screw	3		In Use	MJ01-00428	1					
61	17138100023396	电路板	PCB	1		In Use	N/A	1					
62	17138100021244	显示屏	Display Panel	1		In Use	MFH180-G1301DS_F01E-ID-DK02	1					
63	12238100005585	加强板	Reinforcing Plate	1		In Use	MFH210-G1301DS_F01E-US-0112	1					
64	11301013000006	十字槽盘头螺钉和垫圈组合件	Crossboard screw and washer assembly	1		In Use	MJ16-00020	1					
65	12138100025466	前桶	Front Tub	1		In Use	MFH180-G1302DS_F01E-US-3051	1					
66	11300402000011	平垫圈	PlainWasher	1		In Use	MJ14-00091	1					
67	12738100000583	下平衡块	Lower Counterweight	1		In Use	MFH180-G1302DS_F01E-US-3018	1					
68	12738100000601	后平衡块	Rear Counterweight	1		In Use	MFH180-G1302DS_F01E-US-3038	1					
69	17438100006705	导线组件	Internal Wire Assembly	1		In Use	MFH180-G1304DS_F01E-US-DQ03	1					
70	12138100003770	料盒组件	Dispenser_sub	1		In Use	GFW400SCM1-501	1					
70.1	12138100003888	抽屉	Drawer	1		In Use	WDHA0400000001	1					
70.2	12138100000563	柔软剂盖	Softener Cover	1		In Use	WDA0400000002	1					
70.3	12138100003939	主洗涤剂	Insertor	1		In Use	WDA0400000003	1					
70.4	12138100002382	虹吸管	Siphon	1		In Use	WMA0400000005	1					
70.5	12138100003800	限位卡	Drawer_latch_level	1		In Use	WMA0400000010	1					
70.6	12138100003030	洗涤剂组件	Main_box_sub	1		In Use	WDHA0401000000	1					
71	12238100005595	前上加强板	Front_top_bracket	1		In Use	MFH210-G1301DS_F01E-US-0022	1					
72	12238200003114	内筒组件	Basket Assembly	1		In Use	MFH180-G1302DS_F01E-US-2	1					
72.1	12338100000094	三脚架组件	Spider Assembly	1		In Use	WDDA0302020000	1					
72.2	11301212000001	内六角花形槽半沉头螺钉	Screw	6		In Use	MJ01-00360	1					
72.3	12138100003761	提升筋	Baffle	3		In Use	WDDA0302010004	1					
73	12138100A50934	后桶组件	Rear Tub Assembly	1		In Use	N/A				SB000213	12138100025468	Rear Tub Assembly replacement
74	12038000000421	进水管组件	Water Inlet Hose Assembly	1		In Use	MFH180-G1302DS_F01E-US-305	1					
75	11301611000007	六角锁紧螺母	Hexagon locking nut	8		In Use	MJ13-00117	1					