



USER MANUAL

French-Door Bottom Mount Refrigerator

Power supply: 115 V-
Frequency: 60 Hz
Capacity: 22.5 cu.ft.



**Free 3 months
extension of the
original limited warranty
period!*** Simply text a
picture of your proof of
purchase to:

1-844-224-1614

*The warranty extension is for the three months immediately following the completion of the product's original warranty period. Individuals do not need to register the product in order to get all the rights and remedies of registered owners under the original limited warranty.

Warning:

Before using this product, please read this manual carefully and keep it for future reference. The design and specifications are subject to change without prior notice for product improvement. Consult with your dealer or manufacturer for details.

Dear user

Thank you for letting Midea help you **“make yourself at home.”**

This manual is part of our commitment to your total satisfaction. Please read this manual carefully before use and keep it in a convenient place for future reference.

To help us better serve you, please consider registering your product using our convenient Midea app MSmartlife, by visiting <http://www.midea.com>, or by texting a picture of your proof of purchase to **1-844-224-1614**.

By using the text option you will earn an additional **3 months** warranty extension immediately following the completion of the product’s original warranty.

REFRIGERATOR SAFETY	3
OPERATION REQUIREMENTS	7
Location Requirements.....	7
Electrical Requirements.....	8
Water Supply Requirements	9
PARTS AND FEATURES	10
INSTALLATION.....	11
Unpack.....	11
Door Removal (only if needed).....	11
Installing the Water Line.....	13
Move to Final Location	14
Align Doors (if needed)	15
Level Refrigerator.....	16
BEFORE USE.....	16
Waiting Period.....	16
Cleaning	16
REFRIGERATOR USE.....	17
General	17
Controls.....	18

REFRIGERATOR CARE.....	20
Cleaning	20
Moving	21
Storage	21
Replacing Lights	21
TROUBLESHOOTING	22
General	22
Error Codes.....	24
LIMITED WARRANTY.....	25

REFRIGERATOR SAFETY

YOUR SAFETY AND THE SAFETY OF OTHERS ARE VERY IMPORTANT

To prevent injury to the user or other people and property damage, the instructions shown here must be followed. Incorrect operation due to ignoring of instructions may cause harm or damage, including death.

The level of risk is shown by the following indications.



This symbol indicates the possibility of death or serious injury.



This symbol indicates the possibility of injury or damage to property.



This symbol indicates the possibility of dangerous voltage constituting a risk of electrical shock is present that could result in death or serious injury.

IMPORTANT SAFETY INSTRUCTIONS

WARNING

GENERAL APPLIANCE SAFETY

- Read all safety warnings, instructions, illustrations and specifications provided with this appliance. Failure to follow all instructions listed below may result in electric shock, fire and/or serious injury.
- Save all warnings and instructions for future reference.

ELECTRICAL SAFETY

- Plug into a grounded 3-prong outlet.
- Do not remove ground prong.
- Do not use an adapter.
- Unplug the power cord by holding the plug, never by pulling the cord.
- Do not turn the appliance on or off by plugging in or unplugging the power cord.
- Do not use an extension cord.
- Unplug the refrigerator before cleaning or defrosting.

NOTE: Power to the refrigerator cannot be disconnected by pressing a control on the control panel.

Grounding requirement

- This refrigerator must be grounded. This refrigerator is equipped with a grounding plug. The plug must be inserted into an outlet that is properly installed and grounded.
- Improper use of the grounding plug can result in a risk of electric shock. Consult a qualified electrician or service person if the grounding instructions are not completely understood or if doubt exists as to whether the refrigerator is properly grounded.

LOCATION SAFETY

- This refrigerator is intended to be used in household and similar environments.
- Install in accordance with the manufacturer's instructions.
- This refrigerator should not be recessed or built-in an enclosed cabinet. It is designed for freestanding installation only. **WARNING** - Keep ventilation openings, in the refrigerator, clear of obstruction.
- When moving the refrigerator, do not roll over or damage the power supply cord.
- Do not install near any heat sources, such as radiators, heat registers, stoves, other cooking appliances or in direct sunlight.
- Keep flammable materials and vapors, such as gasoline, away from refrigerator.

USE AND CARE SAFETY

- Flammable refrigerant used. Follow handling instructions carefully. Risk of fire or explosion due to puncture of refrigerant tubing.
- Flammable refrigerant used. Do not use mechanical devices to defrost freezer. Do not puncture refrigerant tubing.
- Do not store or use gasoline or any flammable liquids inside or in the vicinity of this refrigerator.
- Use two or more people to move and install refrigerator.
- Connect refrigerator to a potable water supply only for ice maker and dispenser use.
- This appliance is not intended for use by persons (including children) with reduced physical, sensory or mental capabilities, or lack of experience and knowledge, unless they have been given supervision or instruction concerning use of the appliance by a person responsible for their safety.
- Children should be supervised to ensure that they do not play with the appliance.
- Keep fingers out of the “pinch point” areas; clearances between the doors and between the doors and cabinet are necessarily small. Be careful closing doors when children are in the area.
- Do not use electrical appliances inside the food storage compartments of the appliance, unless they are of the type recommended by the manufacturer.
- Do not touch the interior of the freezer with wet hands. This could result in frostbite.
- Use nonflammable cleaner. Clean only with a damp cloth.
- In refrigerators with automatic icemakers, avoid contact with the moving parts of the ejector mechanism, or with the heating element that releases the cubes. Do not place fingers or hands on the automatic ice making mechanism while the refrigerator is plugged in.
- Do not use electrical appliances on the top of the refrigerator, unless they are of the type recommended by the manufacturer.
- Do not place heavy objects on the top of the refrigerator considering that objects may fall when doors are opened and closed.
- Do not store beer, beverages or other fluid contained in bottles or enclosed containers in the freezer. The bottles or containers may crack due to freezing.

SERVICE SAFETY


- Disconnect power before servicing.
- Flammable refrigerant used. To be repaired only by trained service personnel. Do not puncture refrigerant tubing.

- Refer all servicing to qualified service personnel. Do not repair or replace any part of this appliance unless specifically recommended in this manual. Servicing is required when the appliance has been damaged in any way, such as the power supply cord or plug is damaged, liquid has been spilled or objects have fallen into the appliance, the appliance has been exposed to rain or moisture, does not operate normally, or has been dropped.
- If the supply cord is damaged, it must be replaced by the manufacturer, its service agent, or similarly qualified person, in order to avoid a hazard.
- If component part is damaged, it must be replaced by the manufacturer, its service agent or similarly qualified persons in order to avoid a hazard.
- Replace all parts and panels before operating.

SAVE THESE INSTRUCTIONS

THIS APPLIANCE IS FOR HOUSEHOLD USE ONLY

State of California Proposition 65 Warnings:

 **WARNING:** Cancer and Reproductive Harm
-www.P65Warnings.ca.gov.

PROPER DISPOSAL

 **WARNING**

Suffocation Hazard

Before you throw away your old refrigerator:

- Remove the doors and drawers so that children cannot hide or get trapped inside your old appliance.
- Leave any shelves in place so that children may not easily climb inside.
- Failure to follow these instructions can result in death or brain damage.

IMPORTANT: Refrigerant and cyclopentane foaming material used for the appliance are flammable. It is the consumer's responsibility to comply with Federal and Local regulations when disposing of this product. Refrigerants must be evacuated by a licensed, EPA certified refrigerant technician in accordance with established procedures.

OPERATING REQUIREMENTS

LOCATION REQUIREMENTS

WARNING

Explosion and Fire Hazard

- Keep flammable materials and vapors, such as gasoline, away from appliance.
- Failure to do so, can result in death, explosion or fire.

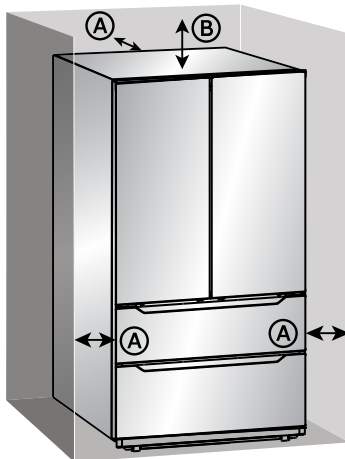
This refrigerator is designed to be freestanding only, and should not be recessed or built-in.

- Place your refrigerator on a floor that is level and strong enough to support the refrigerator when it is fully loaded.
- Place your refrigerator where there is access to the required electrical connection. See “Electrical Requirements.”
- Locate the refrigerator away from direct sunlight and sources of heat, such as a stove, heater or radiator.

NOTES:

- Direct sunlight may affect the acrylic coating and heat sources may increase electrical consumption.
- Extremely cold temperatures may also prevent the refrigerator from performing properly.
- Avoid locating the refrigerator in areas with high humidity.
- Adequate air circulation is required for efficient operation. Maintain the recommended clearance to ensure adequate air circulation.

RECOMMENDED CLEARANCE



- Ⓐ Back and sides:
3" (7.6 cm)
- Ⓑ Top: 3" (7.6 cm)

NOTE: If you place the refrigerator next to a fixed wall, allow sufficient space for the door to swing open.

ELECTRICAL REQUIREMENTS

WARNING

Electrical Shock Hazard

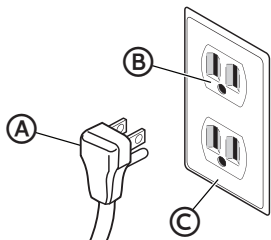
- Plug into a grounded 3-prong outlet.
- Do not remove the ground prong from the power cord plug.
- Do not use an adapter.
- Do not use an extension cord.
- Failure to do so can result in death, fire or electrical shock.

IMPORTANT: A 115 Volt, 60 Hz., AC only, 15-amp fused, grounded electrical supply is required.

- Use an electrical outlet that accepts the grounding prong.

NOTE: The power cord is equipped with a 3-prong (grounding) plug which mates with a standard 3-prong (grounding) electrical outlet.

- We recommend that the refrigerator be plugged into an electrical circuit serving ONLY this appliance.
- Use an electrical outlet that cannot be turned off with a switch or pull-chain.
- DO NOT use an extension cord.



- Ⓐ 3-prong plug
- Ⓑ 3-prong receptacle
- Ⓒ Receptacle box cover

WATER SUPPLY REQUIREMENTS

A cold water supply with water pressure between 30 and 100 psi (207 and 689 kPa) is required to operate the water dispenser and ice maker. If you have questions about your water pressure, call a licensed, qualified plumber.

IMPORTANT: Operation outside the water pressure range may cause malfunction and severe, damaging water leaks.

NOTE: If the water pressure is less than what is required, the flow of water from the water dispenser could decrease or ice cubes could be hollow or irregularly shaped.

Reverse Osmosis Water Supply (if applicable)

IMPORTANT: The pressure of the water supply coming out of a reverse osmosis system going to the water inlet valve of the refrigerator needs to be between 30 and 100 psi (207 and 689 kPa).

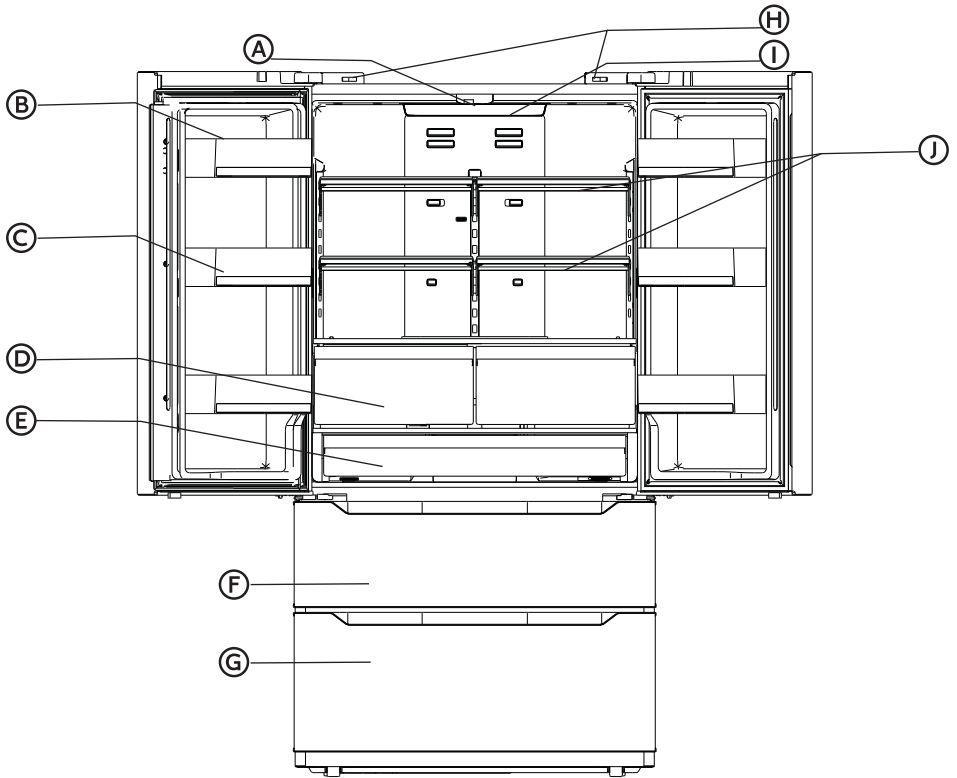
If water pressure is too low:

Check to see whether the sediment filter in the reverse osmosis system is blocked. Replace the filter if necessary.

Allow the storage tank on the reverse osmosis system to refill after heavy use. The tank capacity could be too small to keep up with the requirements of the refrigerator.

If your refrigerator has a water filter, it may further reduce the water pressure when used in conjunction with a reverse osmosis system. Remove the water filter.

PARTS AND FEATURES



- | | | |
|----------------|------------------------|-----------------------------|
| Ⓐ LED lighting | Ⓓ Crisper drawer | Ⓔ Lower freezer drawer |
| Ⓑ Dairy Bin | Ⓔ Big drawer | Ⓕ light switch |
| Ⓒ Door tray | Ⓕ Upper freezer drawer | Ⓖ Control and display panel |
| | | Ⓙ Shelf |

SPECIFICATIONS

Dimension (WxDxH)	35.8" x 29.0" x 69.9" (91.0 x 73.7 x 177.5 cm)
Width with door open 135°	62.8" (159.6 cm)
Power requirements	115 V ~ 60 Hz, 15A minimum requirement
Power cord length	66.9" (170 cm)

INSTALLATION

UNPACK

WARNING

Fire or Explosion Hazard

- Do not puncture refrigerant tubing.
- Follow handling instructions carefully.
- Flammable refrigerant used.
- Failure to do so can result in death, explosion or fire.

IMPORTANT: Remove ALL exterior and interior packing materials including the foam packing between the exterior condenser and the refrigerator cabinet.

DOOR REMOVAL (ONLY IF NEEDED)

Measure the refrigerator to make sure it will fit through the doorway. If the refrigerator cannot pass easily through the doorway, follow the instructions to remove the two refrigerator compartment doors and the front panels of the flex temperature and freezer drawers.

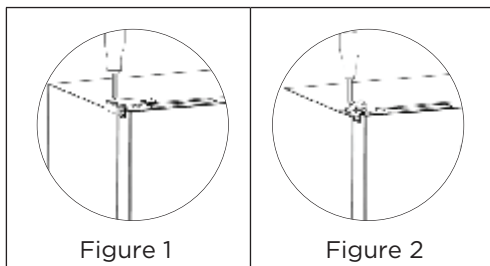
WARNING

Electrical Shock Hazard

- Disconnect power before removing doors.
- Reconnect ground wire before operating.
- Failure to do so could result in death or electric shock.

In some cases you need to remove the fridge doors and freezer drawers to move the refrigerator through a doorway. The doors and drawers can be removed by the following steps. If not necessary, DO NOT remove the doors and drawer.

1. Use screwdriver to remove the 2 pcs screws, and then remove the upper hinge cover of the Left door. See Figure 1.
2. Use the screwdriver to loosen the 3 screws and 1 earth screw fixing the upper hinge, then remove the plug terminal and then remove the Left door body. See Figure 2.
3. For the Right door, there is no earth screw. Follow the rest of the steps for the Left door.

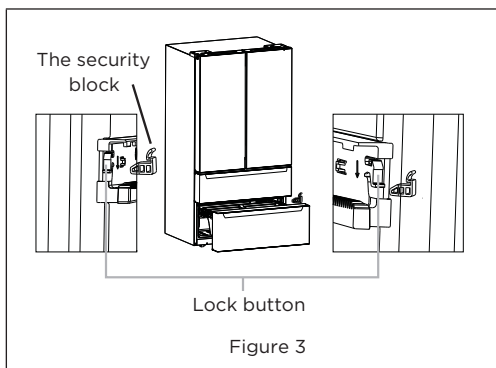


4. For a drawer, first remove the security block for the stopper by hand. See Figure 3.
5. Press the lock buttons of both the left and right glide rails and slowly pull the drawer out. See Figure 3.

Note:

To install the drawer in place, inserting the glide rails in the rail housing and slowly push the drawer toward the back.

Make sure that the rail assemblies are securely installed and put the security blocks on the lock buttons.



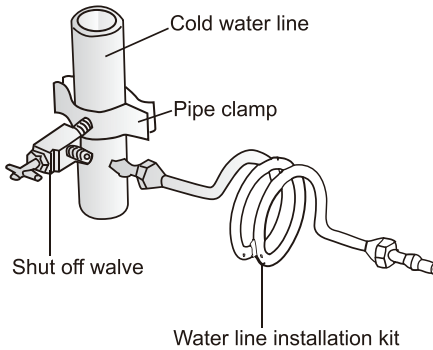
INSTALLING THE WATER LINE

Installing the Water Line

- Water line installation kits are available as an additional accessory from your dealer or at a local hardware store.

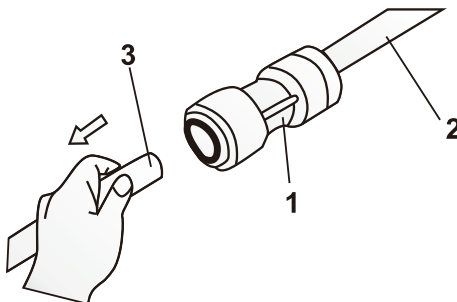
Connecting To The Water Supply Line

1. First, shut off the main water supply line and turn the ice-maker off.
2. Locate the nearest cold water supply valve.
3. After connecting the water supply to the water valve, turn your main water supply back on and flush several gallons of water to clear the water supply line.



Connecting the Water Line to The Refrigerator

- There are several items that you need to purchase to complete this connection.
- You will find these items sold as a kit at your local hardware store.



Complete the Installation

WARNING

Electrical Shock Hazard

- Plug into a grounded 3-prong outlet.
- Do not remove the ground prong from the power cord plug.
- Do not use an adapter.
- Do not use an extension cord.
- Failure to do so can result in death, fire or electrical shock.

1. Plug into a grounded 3-prong outlet.

NOTE: This refrigerator begins operating as soon as it is connected to the power supply.

2. Move the refrigerator into its final location, making sure to maintain the recommended clearance.

MOVE TO FINAL LOCATION

WARNING

Fire or Explosion Hazard

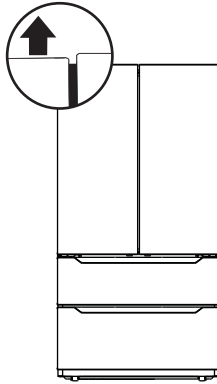
- Do not puncture refrigerant tubing.
- Follow handling instructions carefully.
- Flammable refrigerant used.
- Failure to do so can result in death, explosion or fire.

IMPORTANT:

- If the refrigerator has been in a horizontal position for any period of time, wait 24 hours to allow the refrigerant to settle before plugging in the refrigerator.
- When moving the refrigerator, DO NOT tilt it beyond 45° from upright.
NOTE: Tilting the refrigerator more than 45° could damage the compressor and the sealed system.
- Avoid placing excessive stress on the doors or top when moving the refrigerator.

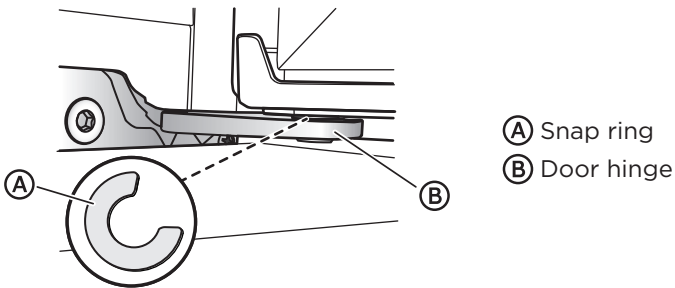
ALIGN DOORS (IF NEEDED)

If the top edges of the refrigerator doors are not aligned, adjust the height of the lower door.



1. Raise the lower door so that the top edge is level with the higher door.
2. Using pliers, insert a snap ring (provided) into the gap between the hinge-grommet and the lower door hinge.

NOTE: The number of snap rings used will depend on the size of the gap.



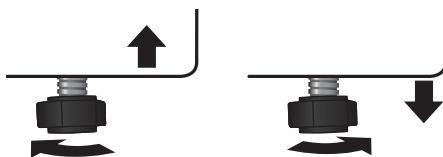
LEVEL REFRIGERATOR

IMPORTANT: Level the refrigerator for proper operation and to avoid cooling, frost and moisture problems that can occur if the doors do not close completely.

1. Move the refrigerator to its final location. See “Move to Final Location.”
2. Place a carpenter’s level on the top of the cabinet to check that the refrigerator is level from side to side and tilted slightly downward toward the back. If the refrigerator is not level, go to steps 3 and 4 to adjust.

NOTE: The doors will close easier when the front of the refrigerator is slightly higher than the back of the refrigerator.

3. Using two or more people, adjust the leveling feet (one foot located at each of the two front corners of the refrigerator cabinet).
4. With one person pressing against the top front of the refrigerator to take weight off the leveling feet, the other(s) can then turn the leveling feet to adjust the height of each side.
5. Use the carpenter’s level to check the level and tilt.



To Raise - Turn the leveling feet clockwise.

To Lower - Turn the leveling feet counterclockwise.

BEFORE USE

WAITING PERIOD

- Before plugging the refrigerator into a grounded 3-prong electrical outlet, allow it to stand upright for approximately 2 hours.

NOTE: This reduces the possibility of a malfunction in the cooling system caused by improper handling during transportation.

- Allow the refrigerator to cool for 2 to 3 hours before adding food.

CLEANING

1. Wash the refrigerator interior using a soft cloth dampened with a baking soda solution (2 tablespoons baking soda mixed with 1 quart of warm water).
2. Using a soft cloth, thoroughly dry all surfaces.

REFRIGERATOR USE

GENERAL

- The storage life of frozen foods varies and the recommended storage time should not be exceeded.
- Place frozen food into the freezer as quickly as possible after purchase.
- Do not refreeze frozen foods which have thawed completely.

WARNING

Electrical Shock Hazard

- Plug into a grounded 3-prong outlet.
 - Do not remove the ground prong from the power cord plug.
 - Do not use an adapter.
 - Do not use an extension cord.
 - Failure to do so can result in death, fire or electrical shock.
1. Plug refrigerator into a grounded 3-prong outlet.
 2. Wait 30 minutes, and then open the refrigerator door to determine if the refrigerator is cooling.
 3. Load items into the refrigerator and freezer compartments.

ENERGY SAVING TIPS

- Allow hot foods to cool to room temperature before placing them in the freezer. Foods that freeze too slowly may lose quality or spoil.
- Do not overload the refrigerator with a large amount of unfrozen food. Overloading forces the compressor to run longer, which decreases the cooling efficiency of the refrigerator.
- Wrap foods properly and wipe containers dry before placing them in the refrigerator. This decreases frost build-up inside the refrigerator.
- Do not line refrigerator storage shelves with aluminum foil, wax paper or paper toweling. Liners interfere with cold air circulation, making the refrigerator less efficient.
- Organize and label food to reduce the number of door openings, and length of time the door or drawer is open. Remove the items needed at one time, and then close the door as soon as possible.

CONTROLS



(The picture above is only for reference. The actual configuration will depend on the physical product or statement by the distributor)

1. Buttons

- | | |
|---|--|
| ① Ice-making button | ② Super cool button |
| ③ Temperature adjusting button of refrigerator room | ④ Temperature adjusting button of freezer room |
| ⑤ Super freeze button | ⑥ Lock/unlock button |

2. Display

a) When electrify the refrigerator, the display screen will totally display for 3 seconds, meanwhile the starting up bell rings, then the display screen enters the normal display of operation. (if power-on for first time, the default set temperature of the refrigerator room and the freezer room is 41°F / 0°F).

b) It will display the set temperature of both refrigerator and freezer rooms when there is no fault.

c) Under normal circumstances, the display light will go out after 30 seconds in lock state, button operation on display panel would wake up the display screen; if the opening door action wakes up the display screen, the display light would go out immediately when the door is closed; when the "fault code visible" type of fault occurs, the display screen lights up, and will go out after 30 seconds.

3. Lock/Unlock

a) In the unlock state, press and hold the lock/unlock button for 3 seconds to enter the lock state, and the buzzer sound rings.

b) In the lock state, press and hold the lock button for 3 seconds to enter the unlock state and the buzzer sound rings.

c) It will enter the lock state if there is no opening door action or any buttons operation within 30 seconds.

d) The alarm sound can be stopped by pressing any one button in lock state, but all other button operations need to be performed in unlock state. If you operate in the lock state, an error beep will be given.

4. Refrigerator temperature setting

Click the temperature adjusting button of refrigerator room to change the set temperature of refrigerator room, Each time click the button, the set temperature will drop 1°F. When the set temperature reaches the 34°F, click the button again, the set temperature will switch to 44°F. The temperature setting will take effect after the display panel is locked.


5. Freezer temperature setting

Click the temperature adjusting button of freezer room to change the set temperature of freezer room, Each time click the button, the set temperature will drop 1°F. When the set temperature reaches the -7°F, click the button again, the set temperature will switch to 7°F. The temperature setting will take effect after the display panel is locked.

6. Mode setting

1) Press the **SUPER COOL** button to start the super cool function. The refrigerator room is set at 34°F automatically, and the **SUPER COOL** icon shines. When exit the super cool mode, the set temperature of refrigerator room will go back to the set temperature before super cool mode.

2) Press the **SUPER FRZ** button to start the super freeze function. The freezer room is set at -7°F automatically, and the **SUPER FRZ** icon shines. When exit the super freeze mode, the set temperature of freezer room will go back to the set temperature before super freeze mode.

3) Press the **ICE MAKER** HOLD 5S ON/OFF button, the ice-making function could be switched between on/off. When the  icon is on, it indicates that the ice-making function is activated.

REFRIGERATOR CARE

Both the refrigerator and freezer compartments defrost automatically and require minimal cleaning and maintenance. To keep your refrigerator running efficiently and odor free, we recommend that you wipe up spills immediately and clean the refrigerator regularly.

CLEANING

WARNING

Electrical Shock Hazard

- Unplug your appliance or disconnect power before cleaning.
- Failure to do so can result in death, electric shock or personal injury.

WARNING

Explosion Hazard

- Use nonflammable cleaner.
- Failure to do so can result in death, explosion or fire.

IMPORTANT: To prevent damage to the finish, DO NOT use gasoline, benzene, thinner or other solvents, and DO NOT use abrasive cleaners.

1. Unplug the refrigerator from the electrical outlet.
2. Remove all food.
3. Remove and wash the shelves with a mild detergent solution.

4. Wash the refrigerator interior using a soft cloth dampened with a baking soda solution (2 tablespoons baking soda mixed with 1 quart of warm water).
5. Clean the gasket around the door. Gently wipe the gasket using a soft cloth dampened with a mild detergent solution.
NOTE: Gaskets must be kept clean and pliable to assure a proper seal.
6. Using a soft cloth, thoroughly dry all surfaces.
7. Plug in or reconnect power.

MOVING

IMPORTANT: When moving your refrigerator, DO NOT tilt it beyond 45° from upright.

1. Unplug your refrigerator from the wall outlet.
2. Remove all food.
3. Securely tape down all loose items inside your refrigerator.
4. Tape the door shut.

STORAGE

IMPORTANT: Do not store refrigerator in a location that is accessible to children.

1. Unplug your refrigerator from the electrical outlet.
2. Remove all food.
3. Clean the refrigerator.
4. Leave the door open slightly to avoid possible formation of condensation, mold or odor.

REPLACING LIGHTS

Any replacement or maintenance of the LED lights is intended to be made by the manufacturer, its service agent or similarly qualified person.

TROUBLESHOOTING

IMPORTANT: DO NOT try to repair your refrigerator yourself. Doing so invalidates the warranty.

GENERAL

PROBLEM	POSSIBLE CAUSE	SOLUTION
The refrigerator is not on or is not cooling	The refrigerator is unplugged.	Make sure that the refrigerator power cord is fully plugged into the electrical outlet.
	The fuse on the circuit is blown or the circuit breaker is tripped.	Check the house fuse / circuit breaker box and replace the fuse or reset the circuit breaker.
	Power failure.	If a power failure occurs, the refrigerator turns off. Wait until the power is restored.
	Temperature control is not set to correct temperature.	Adjust the temperature to a lower setting.
The refrigerator door does not close completely	The clearance between the refrigerator and surrounding cabinets or wall is insufficient.	Make sure there is adequate clearance around the refrigerator, and remove all items from the top of the refrigerator to maximize air circulation. See “Location Requirements.”
	Food packages are interfering with the door.	Move or remove some food items.
The LED lights do not come on	The door gaskets are dirty.	Clean the door gaskets.
	The refrigerator may not be level.	Level the refrigerator.
The LED lights do not come on	The refrigerator is unplugged.	Plug refrigerator into a grounded 3-prong outlet.
	LED light is burned out.	Contact a qualified technician to replace the burned out LED.

PROBLEM	POSSIBLE CAUSE	SOLUTION
Food in the refrigerator is not cold	The door has been opened too often or was not closed properly.	Make sure that the door is closed properly.
	A large amount of food was recently added.	Allow time for the recently added food to cool, and then check again.
	The door is not closed completely.	Check the door gasket and food distribution, and make sure that the door closes completely.
	The refrigerator has been disconnected for a period of time.	Allow 4 hours for the refrigerator to cool completely before adding food.
Items in the refrigerator compartment are freezing	The temperature control is set too warm.	Set the temperature control to a colder setting.
	The air vents are blocked.	Place large items on the sides of the top shelf so that they are not blocking the air circulating from the vent in the center.
The refrigerator makes unusual noises or vibrations	The refrigerator may not be level.	Adjust the leveling feet located on the front corners of the refrigerator until the refrigerator is level.
	The refrigerator cabinet is touching a wall.	Move the refrigerator away from the wall.
	Metal parts undergo expansion and contraction.	This is normal.
	Refrigerant is circulating throughout the system.	This is normal.
Moisture is building up in the interior of the refrigerator	The door has been opened too often or was not closed properly.	Make sure that the door is closed properly.
	The refrigerator is located in a humid area.	Move the refrigerator to a drier location.
	The weather is hot and humid.	This is normal.

PROBLEM	POSSIBLE CAUSE	SOLUTION
The compressor turns on and off frequently.	The room temperature is hotter than normal.	This is normal.
	A large amount of food was recently added.	Allow time for the recently added food to cool, and then check again.
	The door is not closed completely or was opened too often.	Check the door gasket and food distribution to make sure the door will close completely.
	The refrigerator has been disconnected for a period of time.	Allow 4 hours for the refrigerator to cool completely before adding food.
Refrigerator has an odor	The temperature control was not set correctly.	Set the temperature control to the correct setting.
	Refrigerator needs cleaning.	Clean the refrigerator. See, "Cleaning."
	Improperly wrapped food is giving off an odor.	Wrap food tightly or seal before storing it in the refrigerator.

ERROR CODES

When the following tips to appear on the display screen, it indicates a problem with the refrigerator. Although the refrigerator in the following fault case can still provide cool/freeze functions, but the user should contact maintenance personnel, ensure the normal use of refrigerator.

Error Code	Error Description
E1	Temperature sensor failure of refrigerator room
E2	Temperature sensor failure of freezer room
E5	Defrost error of freezer roomsensor
E6	Communication error
E7	Ambient temperature sensor error
EH	Humidity sensor error
E0	Ice maker error

MIDEA REFRIGERATOR LIMITED WARRANTY

ATTACH YOUR RECEIPT HERE. PROOF OF PURCHASE IS REQUIRED TO OBTAIN WARRANTY SERVICE.

Please have the following information available when you call the Customer Service Center:

- Name, address and telephone number
- Model number and serial number
- A clear, detailed description of the problem
- Proof of purchase including dealer or retailer name and address

IF YOU NEED SERVICE:

1. Before contacting us to arrange service, please determine whether your product requires repair. Some questions can be addressed without service. Please take a few minutes to review the Troubleshooting section of the User Manual, or visit <http://us.Midea.com/support>
2. All warranty service is provided exclusively by our authorized Midea Service Providers, in the U.S. and Canada.

Midea Customer Service

In the U.S.A. or Canada, call 1-866-646-4332.

If outside the 50 States of the United States or Canada, contact your authorized Midea dealer to determine whether another warranty applies.

1 YEAR PARTS AND LABOR

WHAT IS COVERED

FIRST YEAR LIMITED WARRANTY (PARTS AND LABOR)

Midea will repair or replace, without charge, any defects due to faulty materials or workmanship for one full year from the date of purchase. For further detail of warranty coverage and warranty repair information, visit www.midea.com or call **1-866-646-4332**.

Consumer will be responsible for:

- Diagnostics, removal, transportation and reinstallation cost required because of service.
- Costs of service calls that are a result of items listed under **NORMAL RESPONSIBILITIES OF THE CONSUMER****

NORMAL RESPONSIBILITIES OF THE CONSUMER**

This warranty applies only to products in ordinary household use, and the consumer is responsible for the items listed below:

1. Proper use of the appliance in accordance with the instructions provided with the product.
2. Routine maintenance and cleaning necessary to keep the good working condition.
3. Proper installation by an authorized service professional in accordance with instructions provided with the appliance and in accordance with all local plumbing, electrical and / or gas codes.
4. Proper connection to a grounded power supply of sufficient voltage, replacement of blown fuses, repair of loosened connections or defects in house wiring.
5. Expenses for making the appliance accessible for servicing.
6. Damages to finish after installation.

YOUR SOLE AND EXCLUSIVE REMEDY UNDER THIS LIMITED WARRANTY SHALL BE PRODUCT REPAIR OR REPLACEMENT AS PROVIDED HEREIN. Service must be provided by a Midea designated service company. This limited warranty is valid only in the 50 States of the United States or Canada and applies only when the major appliance is used in the country in which it was purchased. This limited warranty is effective from the date of original consumer purchase. Proof of original purchase date is required to obtain service under this limited warranty.

WHAT IS NOT COVERED

1. Failure caused by damage to the unit while in your possession (other than damage caused by defect or malfunction), by its improper installation, or by unreasonable use of the product, including without limitation, failure to provide reasonable and necessary maintenance or to follow the written Installation and Instruction Manual.
2. Products purchased “as-is” or refurbished are not covered by this warranty.
3. Food loss caused by refrigerator or freezer failure.
4. Service calls to repair or replace consumables such as water filters, light bulbs, air filters etc., or handles, knobs and other cosmetic parts.
5. Product that has been transferred from its original owner.
6. Interior or exterior rust on the unit.
7. Damages caused by services performed by persons other than authorized Midea servicers; use of parts other than Midea replacement parts; obtained from persons other than such Midea customer service; or external causes such as abuse, misuse, inadequate power supply or acts of God.
8. Service calls resulting from improper installation of your product.
9. Service calls to instruct you on the use of your product.
10. Surcharges including, but not limited to, any after hour, weekend, or holiday service calls, tolls, ferry trip charges, or mileage expense for service calls to remote areas, including the state of Alaska.
11. If the unit is put to commercial, business, rental, or other use or application other than for consumer use, we make no warranties, express or implied, including but not limited to, any implied warranty of merchantability or fitness for particular use or purpose.
12. Product that has been removed outside the USA or Canada.
13. Products without original serial numbers or products that have serial numbers which have been altered or cannot be readily determined.

NOTE: Some states do not allow the exclusion or limitation of incidental or consequential damages. So this limitation or exclusion may not apply to you.

The cost of repair or replacement under these excluded circumstances shall be borne by the customer.

DISCLAIMER OF IMPLIED WARRANTIES

IMPLIED WARRANTIES, INCLUDING ANY IMPLIED WARRANTY OF MERCHANTABILITY OR IMPLIED WARRANTY OF FITNESS FOR A PARTICULAR PURPOSE, ARE LIMITED TO ONE YEAR OR THE SHORTEST PERIOD ALLOWED BY LAW. Some states and provinces do not allow limitations on the duration of implied warranties of merchantability or fitness, so this limitation may not apply to you. This warranty gives you specific legal rights, and you also may have other rights that vary from state to state or province to province.

DISCLAIMER OF REPRESENTATIONS OUTSIDE OF WARRANTY

Midea makes no representations about the quality, durability, or need for service or repair of this major appliance other than the representations contained in this warranty. If you want a longer or more comprehensive warranty than the limited warranty that comes with this major appliance, you should ask Midea or your retailer about buying an extended warranty.

LIMITATION OF REMEDIES; EXCLUSION OF INCIDENTAL AND CONSEQUENTIAL DAMAGES

YOUR SOLE AND EXCLUSIVE REMEDY UNDER THIS LIMITED WARRANTY SHALL BE PRODUCT REPAIR AS PROVIDED HEREIN. MIDEA SHALL NOT BE LIABLE FOR INCIDENTAL OR CONSEQUENTIAL DAMAGES. Some states and provinces do not allow the exclusion or limitation of incidental or consequential damages, so these limitations and exclusions may not apply to you. This warranty gives you specific legal rights, and you also may have other rights that vary from state to state or province to province.

05/19

Réfrigérateur à double porte à congélateur inférieur

Alimentation en électricité :
115 V~
Fréquence : 60 Hz
Capacité : 636 L

Avertissement :
Avant d'utiliser ce produit, veuillez lire le présent guide avec soin et le conserver aux fins de consultation ultérieure. Le concept et les spécifications peuvent changer sans préavis à titre d'amélioration de produit. Consultez votre concessionnaire ou fabricant pour obtenir des précisions.

version B - 05 - 2022

GUIDE DE L'UTILISATEUR



Extension gratuite de 3 mois de la période de garantie limitée initiale!*
Envoyez simplement une photo de votre preuve d'achat par message texte au :

1-844-224-1614

*L'extension de garantie porte sur les trois mois suivant immédiatement la fin de la période de garantie initiale du produit. Les particuliers n'ont pas besoin d'enregistrer le produit pour obtenir tous les droits et recours des propriétaires enregistrés en vertu de la garantie limitée d'origine.

MODÈLE NUMÉRO MRQ23P4AST
www.midea.com

Cher utilisateur

Merci de laisser Midea vous aider à “ **vous sentir comme chez vous** ”. Ce manuel fait partie de notre engagement envers v faction. Veuillez lire le présent manuel attentivement avant d'utiliser le produit et le conserver dans un endroit pratique pour consultation ultérieure.

Pour nous aider à mieux vous servir, veuillez envisage d'enregistrer votre produit en utilisant notre application pratique MSmartlife de Midea, en consultant la page <http://www.midea.com>, ou en envoyant une photo de votre preuve d'achat par message texte au **1-844-224-1614**.

En utilisant l'option de texte, vous obtiendrez une prolongation de garantie supplémentaire de **trois mois** immédiatement après l'achèvement de la garantie originale du produit.

SÉCURITÉ DE RÉFRIGÉRATEUR	3
EXIGENCES EN MATIÈRE DE FONCTIONNEMENT	7
Exigences en matière d'emplacement	7
Exigences électriques.....	8
Exigences relatives à l'alimentation en eau.....	9
PARTIES ET CARACTÉRISTIQUES	10
INSTALLATION.....	11
Déballage.....	11
Dépose des portes (au besoin seulement).....	11
Installation de la conduite d'eau	13
Déplacez à sa destination finale	14
Aligner les portes (au besoin).....	15
Mettez le réfrigérateur de niveau.....	15
AVANT L'UTILISATION.....	16
Période d'attente	16
Nettoyage.....	16
UTILISATION DU RÉFRIGÉRATEUR.....	17
Généralités	17
Contrôles	18

ENTRETIEN DU RÉFRIGÉRATEUR	20
Nettoyage.....	20
Déplacement.....	21
Emplacement.....	21
Remplacement des ampoules.....	21
DÉPANNAGE	22
Généralités.....	22
Codes d'erreur.....	24
GARANTIE LIMITÉE	25

SÉCURITÉ DE RÉFRIGÉRATEUR

VOTRE SÉCURITÉ PERSONNELLE ET CELLE DES AUTRES PERSONNES SONT D'UNE IMPORTANCE CAPITALE

Pour éviter toutes blessures de l'utilisateur ou d'autres personnes et tous dommages matériels, il est impératif de suivre les instructions dans le présent guide. Une utilisation incorrecte de l'appareil en raison du non-respect des instructions peut causer des blessures ou des dommages, et même la mort.

Les indications suivantes illustrent le niveau de risque.



Ce symbole signale la possibilité de mort ou de blessure grave.



Ce symbole signale la possibilité de blessure ou de dommages matériels.



Ce symbole signale la possibilité d'une tension dangereuse constituant un risque de choc électrique susceptible d'entraîner la mort ou une blessure grave.

CONSIGNES DE SÉCURITÉ IMPORTANTES

AVERTISSEMENT

SÉCURITÉ EN MATIÈRE D'ÉLECTROMÉNAGERS

- Lisez tous les avertissements en matière de sécurité, les directives et les spécifications fournies avec cet appareil. Le défaut de lire toutes les directives pourrait entraîner une décharge électrique, un incendie et/ou une blessure grave.
- Conservez tous les avertissements et les directives pour référence future.

SÉCURITÉ ÉLECTRIQUE

- Branchez dans une prise à 3 fiches mise à la terre.
- Ne retirez pas la fiche de mise à la terre.
- N'utilisez pas d'adaptateur.
- Débranchez le cordon d'alimentation en tenant la prise, jamais en tirant sur le cordon.
- Ne jamais activer ou désactiver l'appareil en branchant ou en débranchant le cordon d'alimentation.
- Ne jamais utiliser de rallonge.
- Débranchez le réfrigérateur avant de le nettoyer ou de le dégivrer.

REMARQUE : La mise hors tension du réfrigérateur ne peut pas être effectuée à partir du panneau de commande.

Exigences de mise à la masse

- Ce réfrigérateur doit être mis à la masse. Ce réfrigérateur est doté d'une fiche de mise à la masse. La fiche doit être insérée dans une prise qui a été installée et mise à la masse de façon appropriée.
- L'utilisation inappropriée de la fiche de mise à la masse peut provoquer une décharge électrique. Consultez un électricien certifié ou un préposé à l'entretien si vous ne comprenez pas les directives de mise à la masse ou si vous croyez que le réfrigérateur ne fait pas l'objet d'une mise à la masse appropriée.

SÉCURITÉ DE L'EMPLACEMENT

- Ce réfrigérateur a été conçu pour une utilisation résidentielle ou l'équivalent.
- Installez-le en respectant les consignes du fabricant.
- Le réfrigérateur ne doit pas être encastré dans un endroit restreignant. Il est conçu pour se retrouver à aire ouverte seulement. AVERTISSEMENT — Gardez les ouvertures de ventilation du réfrigérateur à l'écart des obstructions.

- Lors du déplacement du réfrigérateur, veiller à ne pas rouler sur le cordon d'alimentation ou l'endommager.
- Ne jamais installer près d'une source de chaleur comme une plinthe, un radiateur, un poêle ou autre appareil de cuisson ou en plein soleil.
- Tenir les matériaux et vapeurs inflammables, comme l'essence, éloignés du réfrigérateur.

SÉCURITÉ – UTILISATION ET SOINS

- Fluide frigorigène inflammable utilisé. Suivez attentivement les directives de manutention. Risque d'incendie ou d'explosion si le tube de fluide frigorigène est perforé.
- Fluide frigorigène inflammable utilisé. N'utilisez pas de dispositif mécanique pour dégivrer le congélateur. Ne percez pas le tube du fluide frigorigène.
- Ne jamais remiser ou utiliser d'essence ou autre liquides inflammables près de ce réfrigérateur.
- Deux personnes ou plus sont nécessaires pour déplacer ou installer le réfrigérateur.
- Raccorder le réfrigérateur à une source d'alimentation en eau potable pour la machine à glaçons et le distributeur d'eau.
- Cet appareil n'est pas destiné à des personnes (y compris des enfants) à capacités réduites, tant physiques que sensorielles ou mentales, ou qui n'ont aucune expérience ou connaissance, à moins d'être sous la supervision ou d'avoir obtenu des directives d'une personne responsable et qualifiée.
- Les enfants doivent faire l'objet d'une supervision afin de s'assurer qu'ils ne tentent PAS de jouer avec l'appareil.
- Garder les doigts éloignés des zones avec "points de pincement". Les dégagements entre les portes et entre les portes et la caisse sont forcément petits. Attention lors de la fermeture des portes si des enfants se trouvent à proximité.
- Ne pas utiliser d'appareils électriques à l'intérieur des compartiments de l'appareil destinés aux denrées alimentaires, à moins qu'ils ne soient du type recommandé par le fabricant.
- NE JAMAIS toucher à l'intérieur du congélateur alors que vos mains sont mouillées. Ceci pourrait provoquer une engelure.
- Utilisez un nettoyant non inflammable. Nettoyez uniquement avec un linge humide.
- Pour tous les réfrigérateurs dotés d'une machine à glaçons, éviter tout contact avec les pièces mobiles du mécanisme d'éjection ou avec l'élément chauffant qui libère les glaçons. Ne pas mettre les doigts ou les mains sur le mécanisme de fabrication de glaçons lorsque le réfrigérateur est branché.
- Ne pas utiliser d'appareils électriques sur le dessus du réfrigérateur, à moins qu'ils ne soient du type recommandé par le fabricant.

- Ne pas placer d'objets lourds sur le dessus du réfrigérateur, sachant que ces objets peuvent tomber lorsque les portes sont ouvertes ou fermées.
- Ne pas stocker de bières, boissons ou autres liquides contenus dans des bouteilles ni de contenants fermés dans le congélateur. Les bouteilles et les contenants peuvent se briser en raison de la congélation.

SÉCURITÉ – ENTRETIEN

- Débranchez l'appareil avant d'effectuer l'entretien.
- Fluide frigorigène inflammable utilisé. Doit être réparé uniquement par une personne formée. Ne percez PAS le tube du fluide frigorigène.
- Faites appel à une personne d'entretien qualifiée. Ne réparez pas ou ne remplacez pas de pièces sur cet appareil à moins qu'il ne le soit recommandé dans le manuel. L'appareil doit faire l'objet d'un entretien s'il a été endommagé au niveau du cordon d'alimentation ou de la fiche, si le fluide s'est échappé ou si des objets sont tombés dans l'appareil, ou encore si ce dernier a été exposé à la pluie ou à l'humidité, ne fonctionne pas normalement ou a fait l'objet d'une chute.
- Si le cordon d'alimentation est endommagé, il doit être remplacé par le fabricant, l'agent responsable de son entretien, ou toute autre personne qualifiée, afin d'éviter tout danger.
- Si un composant est endommagé, il doit être remplacé par le fabricant, l'agent responsable de son entretien, ou toute autre personne qualifiée, afin d'éviter tout danger.
- Remplacez toutes les pièces et les panneaux avant de faire fonctionner.

CONSERVER CES CONSIGNES

**CET APPAREIL EST UNIQUEMENT DESTINÉ À
UN USAGE DOMESTIQUE**

Avertissement - Proposition 65 de l'État de Californie:



AVERTISSEMENT : Cancer et effets nocifs sur la reproduction
-www.P65Warnings.ca.gov.

MISE AU REBUT APPROPRIÉE

AVERTISSEMENT

Dangers de suffocation

Avant de mettre au rebut votre ancien réfrigérateur :

- Déposez les portes et les tiroirs de sorte que les enfants ne puissent se cacher ou s'emprisonner dans l'ancien appareil.
- Laissez les étagères en place, faisant en sorte que les enfants ne puissent y pénétrer.
- Le défaut de respecter ces directives peut entraîner la mort ou des dommages au cerveau.

IMPORTANT : Le réfrigérant et la mousse de cyclopentane utilisés pour l'appareil sont inflammables. Il en revient au consommateur de respecter les règlements fédéraux et municipaux lors de la mise au rebut de ce produit. Les fluides frigorigènes doivent être évacués par un technicien certifié et agréé de l'EPA en matière de fluide frigorigène, selon les procédures établies.

EXIGENCES EN MATIÈRE DE FONCTIONNEMENT

EXIGENCES EN MATIÈRE D'EMPLACEMENT

AVERTISSEMENT

Danger d'explosion et d'incendie

- Gardez les matériaux et vapeurs inflammables, comme de l'essence, à l'écart de cet appareil.
- Le non-respect de cette directive peut entraîner la mort, une explosion ou un incendie.

Le réfrigérateur est conçu pour se retrouver à aire ouverte et ne doit pas être encastré.

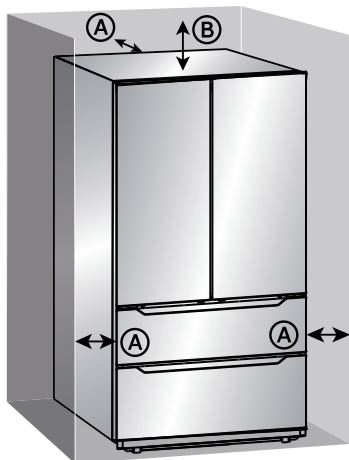
- Placez votre appareil sur un plancher de niveau, capable de supporter le réfrigérateur lorsqu'il est rempli.
- Placez votre réfrigérateur près d'une fiche électrique décrite dans les directives. Consultez "Exigences électriques."
- Placez le réfrigérateur à l'écart du soleil et autre source de chaleur, comme un poêle, un radiateur ou une plinthe.

REMARQUES :

- Le plein soleil peut endommager le revêtement en acrylique et les sources de chaleur peuvent augmenter la consommation électrique.
- Les températures extrêmement froides peuvent également affecter le fonctionnement du réfrigérateur.

- Évitez de placer le réfrigérateur dans un endroit à humidité élevée.
- On doit y retrouver une circulation d'air adéquate pour assurer un fonctionnement optimal. Respectez le dégagement recommandé pour assurer une circulation d'air appropriée.

DÉGAGEMENT RECOMMANDÉ



- Ⓐ Arrière et côtés :
3" (7.6 cm)
- Ⓑ Dessus : 3" (7.6 cm)

REMARQUE : Si vous placez le réfrigérateur près d'un mur fixe, laissez un espace suffisant du côté des charnières pour permettre l'ouverture de la porte.

EXIGENCES ÉLECTRIQUES

AVERTISSEMENT

Risque de choc électrique

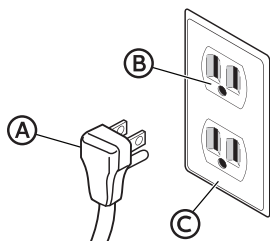
- Branchez dans une prise à 3 fiches mise à la masse.
- Ne retirez pas la fiche de mise à la masse sur le cordon d'alimentation.
- N'utilisez pas d'adaptateur.
- N'utilisez pas de rallonge.
- Le non-respect de cette directive peut entraîner la mort, un incendie ou une décharge électrique.

IMPORTANT : Utilisez un fusible 115 V, 60 Hz, c.a., 15 A comme source électrique mise à la masse.

- Utilisez une prise électrique compatible avec une fiche de mise à la masse.

REMARQUE : Le cordon d'alimentation est doté d'une prise à 3 fiches (mise à la masse) qui est compatible à toute prise électrique standard à 3 fiches.

- Nous recommandons que le réfrigérateur soit branché dans un circuit électrique réservé **UNIQUEMENT** pour cet appareil.
- Utilisez une prise électrique qui ne peut être fermée par un interrupteur ou une chaînette à tirer.
- **NE JAMAIS** utiliser de rallonge.



- (A) Prise à 3 fiches
- (B) Prise de charge à 3 fiches
- (C) Couvercle de boîtier de prise de charge

EXIGENCES RELATIVES À L'ALIMENTATION EN EAU

Une alimentation en eau froide avec une pression comprise entre 30 et 100 lb/po² (207 et 689 kPa) est nécessaire pour faire fonctionner le distributeur d'eau et la machine à glaçons. En cas de questions sur la pression de l'eau, contacter un plombier qualifié agréé.

IMPORTANT : Un fonctionnement en dehors de la plage de pressions de l'eau recommandée peut donner lieu à des défaillances et des fuites d'eau importantes pouvant provoquer des dégâts.

REMARQUE : Si la pression de l'eau est inférieure aux exigences, le débit de l'eau sortant du distributeur pourrait diminuer ou les glaçons pourraient être creux ou de forme irrégulière.

Alimentation en eau par osmose inverse (le cas échéant)

IMPORTANT : La pression de l'alimentation en eau entre le système d'osmose inverse et la vanne d'arrivée d'eau du réfrigérateur doit être comprise entre 30 et 100 lb/po² (207 et 689 kPa).

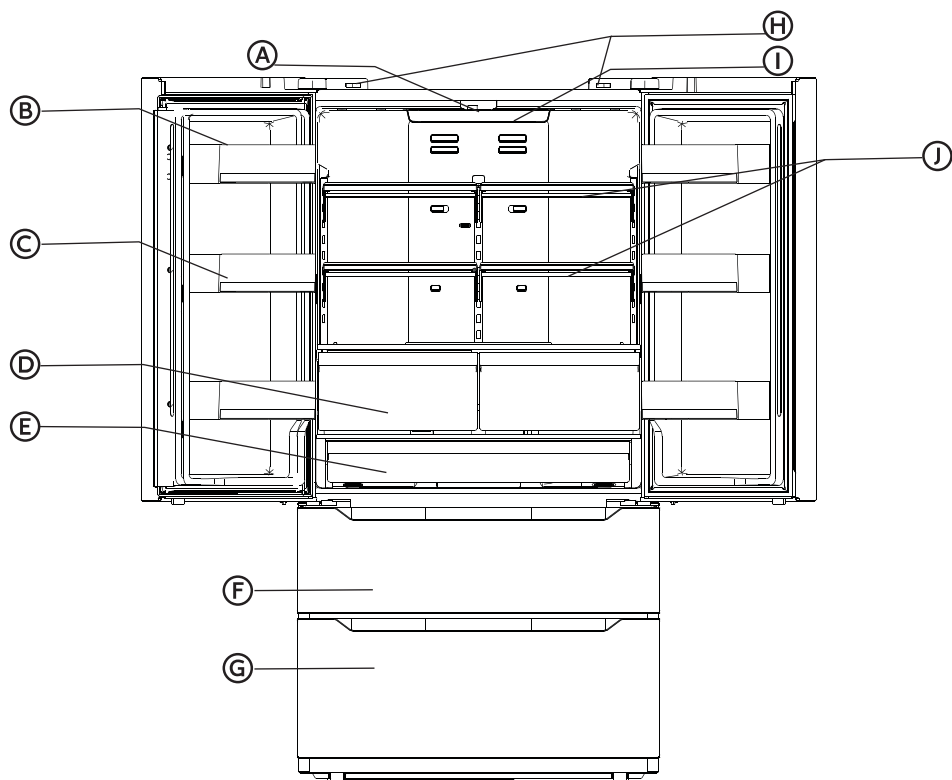
Si la pression d'eau est trop basse :

Vérifier pour voir si le filtre à sédiments du système d'osmose inverse est obstrué. Remplacer le filtre au besoin.

Après chaque utilisation, laisser le réservoir du système d'osmose inverse se remplir. La capacité du réservoir ne devrait pas être trop petite afin de satisfaire aux exigences du réfrigérateur.

Si le réfrigérateur est doté d'un filtre à eau, ce dernier peut alors réduire la pression de l'eau lorsqu'il est utilisé avec un système d'osmose inverse. Retirer le filtre à eau.

PARTIES ET CARACTÉRISTIQUES



(A) Voyant LED

(B) Bac à lait

(C) Plateau de la porte

(D) Tiroir à légumes

(E) Grand tiroir

(F) Tiroir supérieur de congélation

(G) Tiroir inférieur de congélation

(H) Interrupteur de lumière

(I) Panneau de contrôle et d'affichage

(J) Étagère

SPECIFICATIONS

Dimensions (LxPxH)	35,8 po x 29,0 po x 69,9 po (91,0 x 73,7 x 177,5 cm)
Largeur avec porte ouverte à 135°	62,8 po (159,6 cm)
Exigences d'alimentation	115 V ~ 60 Hz, 15A minimum requis
Longueur de cordon d'alimentation	66,9 po (170 cm)

INSTALLATION

DÉBALLAGE

AVERTISSEMENT

Incendie ou Risque d'explosion

- Ne percez pas le tube du fluide frigorigène.
- Suivez attentivement les directives de manutention.
- Fluide frigorigène inflammable utilisé.
- Le non-respect de cette directive peut entraîner la mort, une explosion ou un incendie.

IMPORTANT : Retirez TOUT le matériel d'emballage extérieur et intérieur, y compris l'emballage en mousse situé entre le condenseur extérieur et le réfrigérateur.

DÉPOSE DES PORTES (AU BESOIN SEULEMENT)

Mesurer le réfrigérateur pour s'assurer qu'il passera dans l'ouverture de la porte. Si le réfrigérateur ne passe pas facilement dans l'ouverture de la porte, suivre les instructions pour retirer les deux portes du compartiment de réfrigération et les panneaux avant des tiroirs du congélateur et du tiroir avec choix de températures pré réglées.

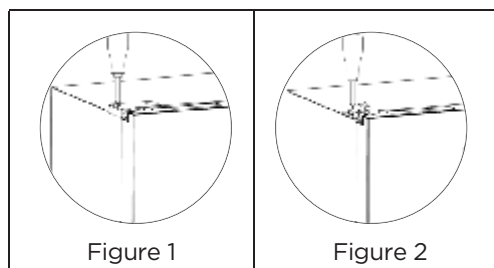
WARNING

Electrical Shock Hazard

- Débrancher l'appareil avant de retirer les portes.
- Rebrancher le fil de mise à terre avant utilisation.
- Le non-respect de ces instructions peut entraîner un décès ou un choc électrique.

Dans certains cas, vous devez retirer les portes du réfrigérateur et les tiroirs de congélation pour faire passer le réfrigérateur par une porte. Les portes et les tiroirs peuvent être retirés en suivant les étapes suivantes. Si ce n'est pas nécessaire, NE PAS retirer les portes et le tiroir.

1. Utilisez un tournevis pour retirer les 2 vis, puis retirez le couvercle de la charnière supérieure de la porte de gauche. Voir la Figure 1.
2. Utilisez le tournevis pour desserrer les 3 vis et 1 vis de terre qui fixent la charnière supérieure, puis retirez la borne de la fiche et ensuite retirez le corps de la porte à gauche. Voir la Figure 2.
3. Pour la porte à droite, il n'y a pas de vis de terre. Suivez les autres étapes pour la porte à gauche.

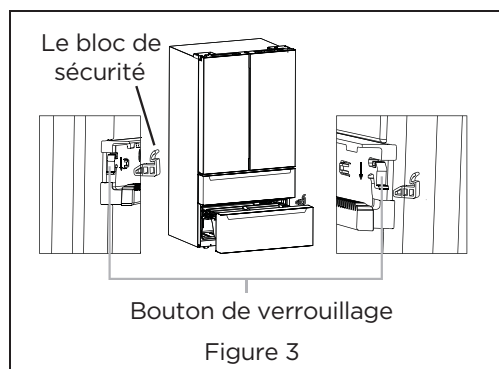


4. Pour un tiroir, il faut d'abord retirer à la main le bloc de sécurité du bouchon. Voir la Figure 3.
5. Appuyez sur les boutons de verrouillage des glissières gauche et droite et tirez lentement le tiroir vers l'extérieur. Voir la Figure 3.

Note :

Pour installer le tiroir en place, insérez les glissières dans le logement du rail et poussez lentement le tiroir vers l'arrière.

Assurez-vous que les assemblages de rails sont bien installés et placez les blocs de sécurité sur les boutons de verrouillage.



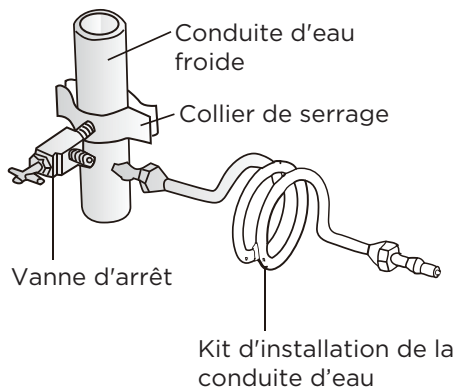
INSTALLATION DE LA CONDUITE D'EAU

Installation de la Conduite d'Eau

- Les conduites d'eau installées sur les kits sont disponibles comme accessoire supplémentaire chez votre revendeur ou dans une quincaillerie locale.

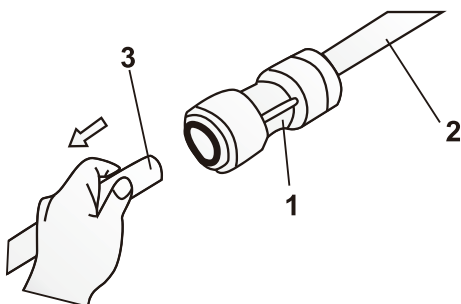
Connexion à la conduite d'alimentation en eau

1. Tout d'abord, coupez la conduite principale d'alimentation en eau et arrêtez la machine à glaçons.
2. Repérez la vanne d'alimentation en eau froide la plus proche.
3. Après avoir raccordé l'alimentation en eau à la vanne d'eau, remettez en marche votre alimentation principale en eau et tirez plusieurs gallons d'eau pour dégager la conduite d'alimentation en eau.



Raccordement de la conduite d'eau au réfrigérateur

- Il y a plusieurs articles que vous devez acheter pour compléter ce raccordement.
- Vous trouverez ces articles vendus en kit dans votre quincaillerie locale.



Achever l'installation

AVERTISSEMENT

Risque de choc électrique

- Branchez dans une prise à 3 fiches mise à la masse.
- Ne retirez pas la fiche de mise à la masse sur le cordon d'alimentation.
- N'utilisez pas d'adaptateur.
- N'utilisez pas de rallonge.
- Le non-respect de cette directive peut entraîner la mort, un incendie ou une décharge électrique.

1. Branchez dans une prise à 3 fiches mise à la masse.

REMARQUE : Le réfrigérateur commence à fonctionner dès qu'il est branché à la source d'alimentation électrique.

2. Déplacer le réfrigérateur à son emplacement définitif, en s'assurant de respecter les dégagements recommandés.

DÉPLACEZ À SA DESTINATION FINALE

AVERTISSEMENT

Incendie ou Risque d'explosion

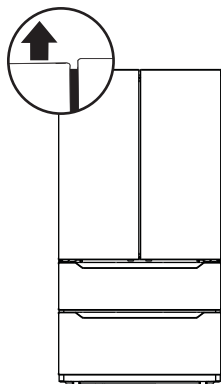
- Ne perforez pas le tube du fluide frigorigène.
- Suivez attentivement les directives de manutention.
- Fluide frigorigène inflammable utilisé.
- Le non-respect de cette directive peut entraîner la mort, une explosion ou un incendie.

IMPORTANT :

- Si le réfrigérateur se trouvait à l'horizontale pendant une certaine période, attendez 24 heures avant de brancher le réfrigérateur pour laisser le fluide frigorigène reprendre sa place.
- En déplaçant le réfrigérateur, n'inclinez PAS ce dernier plus de 45° de la position verticale.
REMARQUE : Ce faisant, vous pourriez endommager le compresseur et le système scellé.
- Éviter d'exercer trop de pression sur les portes ou le dessus de l'appareil lors du déplacement du réfrigérateur.

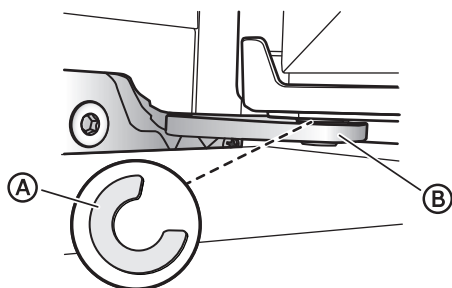
ALIGNER LES PORTES (AU BESOIN)

Si les bords supérieurs des portes du réfrigérateur ne sont pas alignés, régler la hauteur de la porte la plus basse.



1. Élever la porte la plus basse de sorte que le bord supérieur soit de niveau avec la porte plus relevée.
2. À l'aide d'une pince, insérer un circlip (fourni) dans l'espace entre l'œillet de la charnière et la charnière de la porte la plus basse.

REMARQUE : Le nombre de circlips utilisés dépendra de l'importance de l'écart.



- (A) Circlip
- (B) Charnière de porte

METTEZ LE RÉFRIGÉRATEUR DE NIVEAU

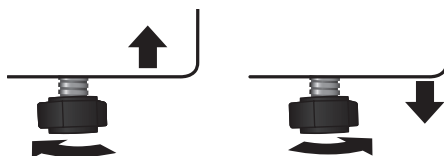
IMPORTANT: Mettez le réfrigérateur de niveau afin d'assurer son bon fonctionnement et éviter des problèmes de refroidissement, de givrage et d'humidité pouvant survenir si la porte ne se referme pas de façon appropriée.

1. Déplacez le réfrigérateur à sa destination finale. Consultez "Déplacez à sa destination finale."

2. Placez un niveau de menuisier sur le dessus de l'armoire pour vérifier que le réfrigérateur est de niveau d'un côté à l'autre et légèrement incliné vers le bas vers l'arrière. Si le réfrigérateur n'est pas de niveau, passez aux étapes 3 et 4 pour régler.

REMARQUE: Les portes se fermeront plus facilement lorsque l'avant du réfrigérateur est légèrement plus haut que l'arrière du réfrigérateur.

3. Réglez les deux pieds de réglage (un pied situé à chaque coin avant du réfrigérateur) jusqu'à ce qu'il soit de niveau.
4. Avec une personne appuyant contre l'avant supérieur du réfrigérateur pour enlever le poids des pieds de nivellement, l'autre ou les autres peuvent alors tourner les pieds de nivellement pour régler la hauteur de chaque côté.
5. Utilisez le niveau du menuisier pour vérifier le niveau et l'inclinaison.



Pour soulever - Tournez le pied de réglage dans le sens horaire.

Pour abaisser - Tournez le pied de réglage dans le sens antihoraire.

AVANT L'UTILISATION

PÉRIODE D'ATTENTE

- Avant de brancher le réfrigérateur dans la prise électrique à 3 fiches mises à la masse, laissez-le au repos dans sa position verticale pendant environ 2 heures.

REMARQUE : Ceci diminue les risques de défectuosité dans le système de refroidissement dans le cas d'une manutention inappropriée lors du transport.

- Laisser le réfrigérateur refroidir pendant 2 à 3 heures avant d'ajouter de la nourriture.

NETTOYAGE

1. lavez l'intérieur du réfrigérateur à l'aide d'un linge doux et humide et d'une solution de bicarbonate de soude (2 c. à table de bicarbonate de soude dans 1 pinte d'eau tiède).
2. Utilisez un linge doux pour essorer toutes les surfaces.

UTILISATION DU RÉFRIGÉRATEUR

GÉNÉRALITÉS

- La durée de vie des aliments surgelés peut varier et la durée recommandée ne doit pas être dépassée.
- Placer les aliments congelés dans le congélateur dès que possible après l'achat.
- Ne pas recongeler des aliments qui ont été complètement décongelés.

AVERTISSEMENT

Risque de choc électrique

- Branchez dans une prise à 3 fiches mise à la masse.
- Ne retirez pas la fiche de mise à la masse sur le cordon d'alimentation.
- N'utilisez pas d'adaptateur.
- N'utilisez pas de rallonge.
- Le non-respect de cette directive peut entraîner la mort, un incendie ou une décharge électrique.

1. Branchez le réfrigérateur dans une prise à 3 fiches mise à la masse.
2. Attendez 30 minutes, puis ouvrez la porte du réfrigérateur pour voir si ce dernier fonctionne de façon appropriée.
3. Ranger les aliments dans les compartiments de réfrigération et de congélation.

CONSEILS DE CONSERVATION D'ÉNERGIE

- Laissez les aliments chauds se refroidir à la température de la pièce avant de les placer dans le réfrigérateur. Les aliments mettant du temps à surgeler peuvent se dégrader ou se gâter.
- N'ajoutez PAS en même temps de grandes quantités d'aliments non surgelés dans le réfrigérateur. La surcharge du réfrigérateur fait en sorte que le compresseur fonctionne plus longtemps, ceci affectera l'efficacité de refroidissement du réfrigérateur.
- Emballez les aliments de façon appropriée et essuyez bien les récipients avant de les mettre dans le réfrigérateur. Ceci réduit l'accumulation de givre dans le réfrigérateur.
- Ne placez pas de papier aluminium, de papier ciré ou d'essuie-tout sur les étagères. Ces derniers nuisent à la circulation d'air froid, diminuant le rendement du réfrigérateur.
- Organisez et étiquetez vos aliments afin de diminuer les occasions d'ouverture de porte et la recherche sur une période prolongée. Sortez le plus d'articles possible, puis refermez la porte aussitôt.

CONTRÔLES



(L'image ci-dessus est donnée à titre indicatif. La configuration réelle dépendra du produit physique ou de la déclaration du distributeur)

1. Boutons

- ① Bouton de fabrication de glace
- ② Bouton super réfrigération
- ③ Bouton de réglage de la température de la chambre de réfrigération
- ④ Bouton de réglage de la température de la chambre de congélation
- ⑤ Bouton super congélation
- ⑥ Bouton de verrouillage/déverrouillage

2. Affichage

a) Lorsque le réfrigérateur est mis sous tension, l'écran d'affichage s'affiche totalement pendant 3 secondes, pendant que la cloche de démarrage sonne, puis l'écran d'affichage passe à l'affichage normal du fonctionnement. (lors de la première mise sous tension, la température fixée par défaut de la chambre de réfrigération et de la chambre de congélation est de 41 °F / 0 °F).

b) Il affichera la température de fixée des chambres de réfrigération et de congélation lorsqu'il n'y a pas de défaut.

c) Dans des circonstances normales, la lumière d'affichage s'éteint après 30 secondes en état de verrouillage, l'opération d'un bouton sur le panneau d'affichage peut réveiller l'écran d'affichage ; si l'action d'ouverture de la porte réveille l'écran d'affichage, la lumière d'affichage s'éteint immédiatement lorsque la porte est fermée ; lorsque le type de défaut « code de défaut visible » se produit, l'écran d'affichage s'allume et s'éteint après 30 secondes.

3. Verrouillage/déverrouillage

a) À l'état déverrouillé, appuyez sur le bouton de verrouillage/déverrouillage et maintenez-le enfoncé pendant 3 secondes pour passer à l'état verrouillé, et le buzzer sonne.

b) À l'état verrouillé, appuyez sur le bouton de verrouillage et maintenez-le enfoncé pendant 3 secondes pour passer à l'état déverrouillé et le buzzer sonne.

c) Il entre en état de verrouillage s'il n'y a pas d'ouverture de la porte ou si aucun bouton n'est actionné dans les 30 secondes.

d) Le son de l'alarme peut être arrêté en appuyant sur n'importe quel bouton en état de verrouillage, mais toutes les autres opérations sur le bouton doivent être effectuées en état de déverrouillage. Si vous opérez à l'état verrouillé, un bip d'erreur sera émis.

4. Réglage de la température du réfrigérateur

Cliquez sur le bouton de réglage de la température de la chambre de réfrigération pour modifier la température de fixée de la chambre de réfrigération. Chaque fois que vous cliquez sur ce bouton, la température de fixée baisse de 1°F. Lorsque la température de fixée atteint 34°F, cliquez à nouveau sur ce bouton, la température de fixée passe à 44°F. Le réglage de la température prendra effet après le verrouillage du panneau d'affichage.

5. Réglage de la température du congélateur

Cliquez sur le bouton de réglage de la température de la chambre de congélation pour modifier la température de fixée de la chambre de congélation. Chaque fois que vous cliquez sur ce bouton, la température de fixée baisse de 1°F. Lorsque la température de fixée atteint -7°F, cliquez à nouveau sur ce bouton, la température de fixée passe à 7 °F, cliquez à nouveau sur le bouton, la température réglée passera à 7°F, le réglage de la température prendra effet après le verrouillage du panneau d'affichage.

6. Réglage du mode

1) Appuyez sur le bouton **SUPER COOL** pour démarrer la fonction super réfrigération. La chambre de réfrigération est automatiquement réglée à 34°F et l'icône **SUPER COOL** s'allume. Lorsque le mode « super réfrigération » est désactivé, la température de fixée de la chambre de réfrigération revient à la température fixée avant l'activation du mode « super réfrigération ».

2) Appuyez sur le bouton pour démarrer la fonction super congélation. La chambre de congélation est automatiquement réglée à -7°F et l'icône **SUPER FRZ** s'allume. Lorsque le mode « super congélation » est désactivé, la température de fixée de la chambre de congélation revient à la température fixée avant l'activation du mode « super congélation ».

3) En appuyant sur le bouton **ICE MAKER HOLD 35 ON/OFF**, la fonction de fabrication de glace peut être activée ou désactivée. Lorsque l'icône  est allumée, elle indique que la fonction de fabrication de glace est activée.

ENTRETIEN DU RÉFRIGÉRATEUR

Votre réfrigérateur est conçu pour une utilisation soutenue et n'exige qu'un nettoyage et un entretien minimal. Pour assurer le bon fonctionnement de votre réfrigérateur, libre de toute odeur, nous recommandons un nettoyage régulier.

NETTOYAGE

AVERTISSEMENT

Risque de choc électrique

- Débranchez votre appareil ou coupez l'alimentation avant de procéder au nettoyage.
- Le non-respect de cette directive peut entraîner la mort, une décharge électrique ou des blessures corporelles.

AVERTISSEMENT

Risque d'explosion

- Utilisez un nettoyeur non inflammable.
- Le non-respect de cette directive peut entraîner la mort, une explosion ou un incendie.

IMPORTANT : Pour empêcher d'endommager le revêtement, n'utilisez PAS d'essence, de benzène, de diluant ou autre solvant, et n'utilisez PAS de nettoyeurs abrasifs.

1. Débranchez le réfrigérateur de la prise électrique.
2. Retirez tous les aliments.

3. Retirez et lavez toutes les étagères avec un détergent doux.
4. Lavez l'intérieur du réfrigérateur à l'aide d'un linge doux et humide et d'une solution de bicarbonate de soude (2 c. à table de bicarbonate de soude dans 1 pinte d'eau tiède).
5. Nettoyez le joint d'étanchéité autour de la porte. Essuyez délicatement le joint à l'aide d'un linge humide doux et d'une solution de détergent doux.

REMARQUE : Les joints doivent être propres et flexibles pour assurer une bonne étanchéité.

6. Utilisez un linge doux pour essorer toutes les surfaces.
7. Branchez de nouveau l'appareil.

DÉPLACEMENT

IMPORTANT : En déplaçant votre réfrigérateur, n'inclinez PAS ce dernier plus de 45° de la position verticale.

1. Débranchez le réfrigérateur de la prise électrique.
2. Retirez tous les aliments.
3. Fixez du ruban sur tous les articles amovibles à l'intérieur du réfrigérateur.
4. Fixez du ruban sur la porte.

EMPLACEMENT

IMPORTANT : Ne placez pas le réfrigérateur dans un endroit accessible aux enfants.

1. Débranchez le réfrigérateur de la prise électrique.
2. Retirez tous les aliments.
3. Nettoyez le réfrigérateur.
4. Laissez la porte entrouverte pour éviter la formation de condensation, de moisissure ou d'odeurs.

REMPACEMENT DES AMPOULES

Tout remplacement ou entretien des ampoules à DEL doit être effectué par le fabricant, son prestataire de services ou toute autre personne qualifiée.

DÉPANNAGE

IMPORTANT : NE TENTEZ PAS de réparer votre réfrigérateur vous-même. Ce faisant, vous annulerez votre garantie.

GÉNÉRALITÉS

PROBLÈME	CAUSE POSSIBLE	SOLUTION
Le réfrigérateur ne fonctionne pas	Le réfrigérateur est débranché.	Assurez-vous que le cordon d'alimentation soit bien inséré dans la prise électrique.
	Le fusible dans le circuit est brûlé ou le disjoncteur est déclenché. Panne électrique.	Vérifiez la boîte à fusible/ le disjoncteur et remplacez le fusible ou rétablissez le disjoncteur. Lors d'une panne électrique, le réfrigérateur se désactive. Attendez le retour du courant.
	Le contrôle de la température n'est pas réglé sur la température correcte.	Ajustez la température à un réglage plus bas.
	Le jeu entre le réfrigérateur et les armoires ou le mur environnants est insuffisant.	Assurez-vous qu'il y a suffisamment d'espace autour du réfrigérateur et retirez tous les articles du haut du réfrigérateur pour maximiser la circulation de l'air. Voir "Exigences relatives à l'emplacement".
La porte du réfrigérateur ne se referme pas complètement.	Des emballages obstruent la fermeture de la porte.	Déplacez ou retirez des aliments.
	Les joints d'étanchéité de la porte sont souillés.	Nettoyez les joints d'étanchéité de la porte.
	Le réfrigérateur n'est peut-être pas de niveau.	Mettez le réfrigérateur de niveau.
Les voyants LED ne s'allument pas	Le réfrigérateur est débranché.	Branchez dans une prise à 3 fiches mise à la masse.
	La lumière LED est grillée.	Contactez un technicien qualifié pour remplacer la LED grillée.

PROBLÈME	CAUSE POSSIBLE	SOLUTION
Les aliments dans le réfrigérateur ne sont pas froids	La porte a été ouverte trop souvent ou est mal fermée.	Assurez-vous que la porte soit fermée de façon appropriée.
	Une grande quantité d'aliments vient d'être ajoutée au réfrigérateur.	Allouez assez de temps pour permettre à ces nouveaux aliments de se refroidir, puis vérifiez de nouveau.
	La porte n'est pas fermée complètement.	Vérifiez le joint d'étanchéité de la porte et la disposition des aliments, et assurez-vous que la porte se referme correctement.
	Le réfrigérateur a été débranché sur une période prolongée.	Allouez 4 heures avant d'ajouter des aliments pour permettre au réfrigérateur de se refroidir.
	Le réglage de la température est trop chaud.	Réglez la température à un niveau plus froid.
Les articles dans le compartiment réfrigérateur gèlent	Les bouches d'aération sont obstruées.	Placez les gros articles sur les côtés de l'étagère supérieure de façon à ce qu'ils ne bloquent pas l'air circulant à partir de l'évent au centre.
Le réfrigérateur émet des bruits ou des vibrations inhabituels	Le réfrigérateur n'est peut-être pas de niveau.	Réglez les pieds de réglage situés à chaque coin avant du réfrigérateur, jusqu'à ce qu'il soit de niveau.
	Le réfrigérateur touche à un mur.	Éloignez le réfrigérateur du mur.
	Les pièces de métal font l'objet d'une expansion et d'une contraction.	Ceci est normal.
	Le fluide frigorigène circule dans tout le système.	Ceci est normal.
L'humidité s'accumule à l'intérieur du réfrigérateur	La porte a été ouverte trop souvent ou est mal fermée.	Assurez-vous que la porte soit fermée de façon appropriée.
	Le réfrigérateur est situé dans une zone humide.	Déplacez le réfrigérateur dans un endroit plus sec.
	La température est élevée et humide.	Ceci est normal.

PROBLÈME	CAUSE POSSIBLE	SOLUTION
Le compresseur s'active et se désactive fréquemment	La température de la pièce est plus élevée qu'en temps normal.	Ceci est normal.
	Une grande quantité d'aliments vient d'être ajoutée au réfrigérateur.	Allouez assez de temps pour permettre à ces nouveaux aliments de se refroidir, puis vérifiez de nouveau.
	La porte n'est pas fermée correctement ou a été ouverte trop souvent.	Vérifiez le joint d'étanchéité de la porte et la disposition des aliments, et assurez-vous que la porte se referme correctement.
	Le réfrigérateur a été débranché sur une période prolongée.	Allouez 4 heures avant d'ajouter des aliments pour permettre au réfrigérateur de se refroidir.
Le réfrigérateur dégage une odeur	La température n'a pas été réglée correctement.	Réglez la température au niveau approprié.
	Le réfrigérateur a besoin d'être nettoyé.	Nettoyez le réfrigérateur. Consultez "Nettoyage."
	Les aliments mal emballés dégagent une odeur.	Emballez les aliments de façon adéquate avant de les placer dans le réfrigérateur.

CODES D'ERREUR

Lorsque les conseils suivants apparaissent sur l'écran d'affichage, cela indique un problème avec le réfrigérateur. Bien que des fonctions de refroidissement/congélation du réfrigérateur peuvent être assurées toujours en cas des pannes suivantes, l'utilisateur doit contacter le personnel de maintenance pour garantir l'utilisation normale du réfrigérateur.

Code d'Erreur	Description d'Erreur
E1	Défaillance du capteur de température de la salle de réfrigération
E2	Défaillance du capteur de température de la salle de congélation
E5	Erreur de dégivrage du capteur de la chambre de congélation
E6	Erreur de communication
E7	Erreur du capteur de température ambiante
EH	Erreur du capteur d'humidité
E0	Erreur de fabrication de glace

GARANTIE LIMITÉE RÉFRIGÉRATEUR MIDEA

ATTACHEZ VOTRE REÇU AUX PRÉSENTES. UNE PREUVE D'ACHAT EST REQUISE POUR OBTENIR UN SERVICE TECHNIQUE COUVERT PAR LA GARANTIE.

Veuillez disposer des renseignements suivants lorsque vous appelez le Centre des services à la clientèle :

- Vos nom, adresse et numéro de téléphone
- Le numéro de modèle et le numéro de série de votre appareil
- Une description claire et détaillée du problème
- Une preuve d'achat, notamment le nom et l'adresse du concessionnaire ou du détaillant

SI VOUS AVEZ BESOIN D'UN SERVICE TECHNIQUE :

1. Avant de communiquer avec nous pour organiser un service technique, déterminez si votre produit doit être réparé. Quelques problèmes peuvent être résolus sans service technique. Prenez quelques minutes pour revoir la section du Diagnostic de pannes du guide de l'utilisateur, ou consultez <http://us.Midea.com/support>.
2. Tout service technique couvert par la garantie est assuré exclusivement par nos prestataires de service technique Midea autorisés, aux États-Unis et au Canada.

Services à la clientèle Midea

Aux États-Unis ou au Canada, appelez le 1-866-646-4332.

Si vous résidez hors des 50 États des États-Unis ou hors du Canada, communiquez avec votre concessionnaire Midea autorisé pour déterminer si une autre garantie s'applique.

1 AN PIÈCES ET SERVICE

CE QUE LA GARANTIE COUVRE

GARANTIE LIMITÉE POUR LA PREMIÈRE ANNÉE (PIÈCES ET MAIN-D'ŒUVRE)

Midea réparera ou remplacera, sans frais, toute défaillance provoquée par une fabrication ou des matériaux défectueux, pendant un an à compter de la date d'achat. Pour de plus amples renseignements sur la couverture de la garantie et les réparations sous garantie, visitez www.midea.com ou composez **1 866 646-4332**.

Le consommateur sera responsable des :

- Coûts associés aux diagnostics, à la dépose, au transport et à la réinstallation suite à l'entretien.
- Coûts d'entretien résultant des points figurant sous **RESPONSABILITÉS NORMALES DU CONSOMMATEUR****

RESPONSABILITÉS NORMALES DU CONSOMMATEUR**

Cette garantie s'applique uniquement aux produits faisant l'objet d'une utilisation résidentielle normale, et le consommateur est responsable des points suivants :

1. Utilisation appropriée de l'appareil, respectant les directives fournies avec le produit.
2. Entretien périodique et nettoyage requis pour maintenir l'appareil en bon état de fonctionnement.
3. Installation appropriée par un professionnel agréé, respectant les directives fournies avec l'appareil et les codes municipaux en matière de plomberie, électricité et/ou gaz.
4. Branchement approprié à une prise électrique mise à la masse, fournissant un courant suffisant; remplacement des fusibles brûlés; réparation des connexions desserrées ou des défauts au niveau des installations électriques.
5. Dépenses requises pour rendre l'appareil accessible pour l'entretien.
6. Dommages sur le revêtement suite à l'installation.

VOTRE REMÈDE UNIQUE ET EXCLUSIF EN VERTU DE LA PRÉSENTE GARANTIE LIMITÉE EST LA RÉPARATION OU LE REMPLACEMENT DU PRODUIT, COMME PRÉVU AUX PRÉSENTES. Le service technique doit être assuré par une entreprise d'entretien désignée par Midea. La garantie limitée est valide uniquement dans les 50 États des États-Unis ou au Canada et s'applique uniquement si l'appareil ménager est utilisé dans le pays où il a été acheté. La présente garantie limitée entre en vigueur à compter de la date de l'achat original de l'appareil ménager par le consommateur. Une preuve de la date de l'achat original doit être présentée pour obtenir un service technique en vertu de la présente garantie limitée.

CE QUE LA GARANTIE NE COUVRE PAS

1. Une défectuosité causée par un dommage survenu depuis que l'appareil est en votre possession (autre que les dommages causés par un défaut ou un mauvais fonctionnement), par une installation inadéquate, ou par une utilisation non raisonnable du produit, incluant et sans s'y limiter, le défaut d'assurer un entretien raisonnable et nécessaire ou de suivre les directives écrites et de lire le manuel d'instructions.
2. Les produits achetés "tels quels" ou les produits réusinés ne sont pas couverts par cette garantie.
3. La perte de nourriture suite à une défectuosité du réfrigérateur ou du congélateur.
4. Les visites d'entretien pour réparer ou remplacer les pièces consommables comme les filtres hydrauliques, les ampoules, les filtres pneumatiques, etc., ou les poignées, les boutons ou autres pièces cosmétiques.
5. Les produits ayant été transférés de leur propriétaire original.
6. La rouille à l'extérieur ou à l'intérieur de l'unité.
7. Les dommages causés par l'entretien effectué par une personne autre qu'un professionnel agréé Midea; l'utilisation de pièces autres que les pièces de rechange Midea ou obtenues par des personnes autres que le service à la clientèle Midea; les causes externes comme l'abus, la mauvaise utilisation, l'alimentation inadéquate ou tout événement de force majeure.
8. L'entretien résultant d'une installation inappropriée de votre produit.
9. La visite servant à vous enseigner l'utilisation de votre produit.
10. Les suppléments, incluant, mais sans s'y limiter, tout appel de service après les heures normales, les week-ends ou les jours fériés, les péages, les frais de transport, le kilométrage pour tout appel de service dans une région éloignée, y compris en Alaska.
11. Si cette unité est utilisée pour des raisons commerciales, locatives ou autre application qui n'est pas vouée à une utilisation résidentielle, nous ne formulons aucune garantie, explicite ou implicite de valeur marchande ou d'adéquation à un usage particulier.
12. Si le produit a été déplacé hors des États-Unis ou du Canada.
13. Si le produit n'affiche pas le numéro de série original ou si ce dernier a été altéré ou ne peut être facilement reconnu.

REMARQUE : Certains états n'acceptent pas l'exclusion ou la restriction des dommages indirects ou accessoires. Ainsi, cette exclusion ou restriction pourrait ne pas s'appliquer à vous.

Dans ces circonstances exclues, le coût des réparations ou du remplacement du produit sera assumé par le client.

DÉNÉGATION DE GARANTIES IMPLICITES

LES GARANTIES IMPLICITES, Y COMPRIS TOUTE GARANTIE IMPLICITE DE QUALITÉ MARCHANDE OU GARANTIE IMPLICITE D'APTITUDE À UN EMPLOI PARTICULIER, SONT LIMITÉES À UNE PÉRIODE D'UN AN OU À LA PÉRIODE LA PLUS COURTE PERMISE PAR LA LOI. Quelques états et provinces ne permettent pas l'imposition d'une limite à la durée des garanties implicites de qualité marchande ou d'aptitude à l'emploi et, par conséquent, il est possible que cette limitation ne vous concerne pas. La présente garantie vous confère certains droits légaux. Vous pouvez également jouir d'autres droits, lesquels varient d'un état à l'autre ou d'une province à l'autre.

DÉNÉGATION DE DÉCLARATIONS NE RELEVANT PAS DE LA GARANTIE

Midea ne fait aucune déclaration concernant la qualité ou la durabilité de cet appareil ménager, ni son besoin de service technique ou de réparation, à part les déclarations formulées dans la présente garantie. Si vous souhaitez une garantie plus longue ou plus complète que la garantie limitée qui accompagne cet appareil ménager, veuillez communiquer avec Midea ou votre détaillant au sujet de l'achat d'une prolongation de garantie.

LIMITATION DES REMÈDES; EXCLUSION DES DOMMAGES ACCESSOIRES ET DES DOMMAGES INDIRECTS

VOTRE REMÈDE UNIQUE ET EXCLUSIF EN VERTU DE LA PRÉSENTE GARANTIE LIMITÉE EST LA RÉPARATION DU PRODUIT PAR MIDEA, COMME PRÉVU AUX PRÉSENTES. MIDEA N'EST PAS RESPONSABLE DES DOMMAGES ACCESSOIRES ET INDIRECTS. Quelques états et provinces ne permettent pas l'exclusion ou la limitation de dommages accessoires ou indirects et, par conséquent, il est possible que ces limitations et ces exclusions ne vous concernent pas. La présente garantie vous confère certains droits légaux. Vous pouvez également jouir d'autres droits, lesquels varient d'un état à l'autre ou d'une province à l'autre.



Refrigerador de dos puertas de montaje inferior

Fuente de alimentación: 115 V-
Frecuencia: 60 Hz
Capacidad: 22.5 cu.ft.

Advertencia:
Antes de utilizar este producto, lea atentamente este manual y guárdelo para consultarlo posteriormente. El diseño y las especificaciones están sujetos a cambios sin previo aviso para mejoras de los productos. Consulte con su distribuidor o fabricante para obtener detalles.

version B - 05 - 2022

MANUAL DE USUARIO



¡Extensión gratuita de 3 meses del periodo original de la garantía limitada!* Simplemente envíe una foto de su comprobante de compra al:

1-844-224-1614

*La extensión de la garantía es por los tres meses inmediatamente posteriores a la finalización del periodo de la garantía original del producto.

No es necesario que las personas registren el producto para obtener todos los derechos y recursos de los propietarios registrados en virtud de la garantía limitada original.

NÚMERO DE MODELO MRQ23P4AST
www.midea.com

Estimado usuario

Gracias por permitir que Midea le ayude a “**hacer que se sienta en casa**”. Este manual es parte de nuestro compromiso con su satisfacción total. Lea detenidamente este manual antes de utilizar este producto, y guardelo en un lugar conveniente para su consulta futura.

Para ayudarnos a brindarle un mejor servicio, considere registrar su producto con nuestra práctica aplicación Midea MSmartlife, visitando **<http://www.midea.com>**, o enviando por mensaje de texto una foto de su comprobante de compra al **1-844-224-1614**.

Al utilizar la opción de texto, obtendrá una extensión de la garantía adicional de **3 meses** inmediatamente después de completar la garantía original del producto.

SEGURIDAD DEL REFRIGERADOR.....	3
REQUISITOS OPERATIVOS	7
Requisitos de Ubicación	7
Requisitos eléctricos	8
Requisitos del Suministro de Agua	9
COMPONENTES Y CARACTERÍSTICA.....	10
INSTALACIÓN	11
Desempacar.....	11
Desmontaje de la Puerta (solo si es necesario).....	11
Instalación de Línea de Agua.....	13
Mover a la ubicación final.....	14
Alineado de las puertas (en caso de necesitarlo).....	15
Nivelar el refrigerador.....	16
ANTES DE USAR.....	16
Período de espera.....	16
Limpieza.....	17
USO DEL REFRIGERADOR.....	17
General	17
Controles	18

CUIDADO DEL CONGELADOR	20
Limpieza.....	20
Mudanza.....	21
Almacenamiento.....	21
Reemplazo de luces	21
SOLUCIÓN DE PROBLEMAS	22
General	22
Códigos de fallo	25
GARANTÍA LIMITADA	26

SEGURIDAD DEL REFRIGERADOR

SU SEGURIDAD Y LA SEGURIDAD DE LOS DEMÁS SON MUY IMPORTANTES

Para prevenir lesiones del usuario y otras personas y daños materiales, se deben seguir las instrucciones que se muestran debajo. El funcionamiento incorrecto por ignorar las instrucciones puede causar daños o heridas, e incluso la muerte.

El nivel de riesgo se muestra según las siguientes indicaciones.



ADVERTENCIA

Este símbolo indica la posibilidad de muerte o heridas graves.



PRECAUCIÓN

Este símbolo indica la posibilidad de lesiones o daños a la propiedad.



ADVERTENCIA

Este símbolo indica que existe la posibilidad de voltaje peligroso con un riesgo de descarga eléctrica, lo que puede provocar la muerte o heridas graves.

INSTRUCCIONES IMPORTANTES DE SEGURIDAD



ADVERTENCIA

SEGURIDAD GENERAL DEL ELECTRODOMÉSTICO

- Lea todas las advertencias de seguridad, instrucciones, ilustraciones y especificaciones provistas con este electrodoméstico. El incumplimiento de todas las instrucciones que se enumeran a continuación puede provocar descargas eléctricas, incendios y/o lesiones graves.
- Guarde todas las advertencias e instrucciones para futuras referencias.

SEGURIDAD ELÉCTRICA

- Enchufe en un tomacorriente de 3 clavijas con conexión a tierra.
- No quite el enchufe de conexión a tierra.
- No use un adaptador.
- Desconecte el cable de alimentación sujetando el enchufe, nunca tirando del cable.
- No encienda ni apague el electrodoméstico enchufando o desenchufando el cable de alimentación.
- No utilice un cable de extensión.
- Desconecte el refrigerador antes de limpiarlo o descongelarlo.

NOTA: No es posible desconectar la alimentación del refrigerador a través de ninguno de los ajustes del panel de control.

Requisito de conexión a tierra

- Este refrigerador debe estar conectado a tierra. Este refrigerador está equipado con un enchufe de conexión a tierra. El enchufe debe insertarse en un tomacorriente que esté correctamente instalado y conectado a tierra.
- El uso incorrecto del enchufe de conexión a tierra puede provocar un riesgo de descarga eléctrica. Consulte a un electricista o técnico calificado si las instrucciones de conexión a tierra no se entienden completamente o si existen dudas sobre si el refrigerador está conectado a tierra correctamente.

SEGURIDAD DE LA UBICACIÓN

- Este refrigerador está diseñado para usarse en entornos domésticos y similares.
- Haga la instalación conforme a las instrucciones del fabricante.

- Este refrigerador no debe estar empotrado o incorporado en un gabinete cerrado. Está diseñado para la instalación independiente solamente.
ADVERTENCIA - Mantenga las aberturas de ventilación, en el refrigerador, libres de obstrucciones.
- Al mover el refrigerador, tenga cuidado de no enredar o dañar el cable de alimentación.
- No lo instale cerca de fuentes de calor, como radiadores, registradores de calor, estufas, otros aparatos de cocina o bajo la luz solar directa.
- Mantenga cualquier material y vapores inflamables, como gasolina, lejos del refrigerador.

SEGURIDAD SOBRE USO Y CUIDADO

- Se ha utilizado un refrigerante inflamable. Siga cuidadosamente las instrucciones de manejo. Existe riesgo de incendio o explosión debido a la perforación de la tubería del refrigerante.
- Se ha utilizado un refrigerante inflamable. No utilice dispositivos mecánicos para descongelar el congelador. No perforo la tubería del refrigerante.
- No almacene ni use gasolina ni ningún líquido inflamable dentro o cerca de este refrigerador.
- Sírvasse de dos o más personas para mover e instalar el refrigerador.
- Conecte el refrigerador a un suministro de agua potable para uso exclusivo del dispensador y la máquina de hielo.
- Este electrodoméstico no está destinado a ser utilizado por personas (incluidos niños) con capacidades físicas, sensoriales o mentales reducidas, o por falta de experiencia y conocimiento, a menos que hayan sido supervisados o instruidos sobre el uso del electrodoméstico por una persona responsable de su seguridad.
- Los niños deben ser supervisados para asegurarse que NO jueguen con el electrodoméstico.
- Mantenga los dedos fuera de los “punto de compresión”. Los espacios libres entre las puertas y entre las puertas y el armario son necesariamente estrechos. Tenga cuidado al cerrar las puertas cuando haya niños cerca.
- No utilice aparatos eléctricos dentro del compartimento donde se almacenan los alimentos, a menos que sean recomendados por el fabricante.
- No toque el interior del congelador con las manos mojadas. Esto podría dar lugar a una quemadura por congelación.
- Use un limpiador no inflamable. Limpie solo con un paño húmedo.
- En refrigeradores con máquina de hielos automáticas, evite el contacto con las partes móviles del mecanismo eyector o con el elemento calefactor que libera los cubitos. No coloque los dedos ni las manos sobre el mecanismo automático de la máquina de hielo mientras el refrigerador esté enchufado.

- No utilice aparatos eléctricos en la parte superior del refrigerador, a menos que sean del tipo recomendado por el fabricante.
- No coloque objetos pesados en la parte superior del refrigerador, ya que podrían caerse al abrir y cerrar las puertas.
- No almacene en el congelador cerveza, bebidas u otros líquidos contenidos en botellas o recipientes sellados. Las botellas o recipientes pueden agrietarse debido al congelamiento.

SEGURIDAD DE SERVICIO

- Desconecte la corriente antes de realizar el servicio.
- Se ha utilizado un refrigerante inflamable. Para ser reparado solo por personal de servicio capacitado. No perfore la tubería del refrigerante.
- Remita todo el servicio al personal de servicio calificado. No repare ni reemplace ninguna parte de este electrodoméstico a menos que se recomiende específicamente en este manual. El servicio se requiere cuando el electrodoméstico se ha dañado de alguna manera, por ejemplo: el cable de alimentación o el enchufe está dañado, se ha derramado líquido o han caído objetos dentro del dispositivo, el aparato ha estado expuesto a la lluvia o la humedad, no funciona normalmente, o se ha caído.
- Si el cable de alimentación está dañado, debe ser reemplazado por el fabricante, su agente de servicio o una persona con calificaciones similares, para evitar un peligro.
- Si la pieza del componente está dañada, debe ser reemplazada por el fabricante, su agente de servicio o personas con calificaciones similares para evitar un peligro.
- Reemplace todas las partes y paneles antes de poner en funcionamiento.

GUARDE ESTAS INSTRUCCIONES

ESTE ELECTRODOMÉSTICO ES SOLO PARA USO DOMÉSTICO

Advertencias de la “Proposition 65” del estado de California:



ADVERTENCIA: Riesgos de cáncer y daños al sistema reproductivo: www.P65Warnings.ca.gov.

ELIMINACIÓN ADECUADA

ADVERTENCIA

Peligro de asfixia

Antes de tirar su refrigerador viejo:

- Quite las puertas y los cajones para que los niños no puedan esconderse o quedar atrapados dentro de su viejo electrodoméstico.
- Deje los estantes en su lugar para que los niños no puedan entrar fácilmente.
- El incumplimiento de estas instrucciones puede provocar la muerte o daño cerebral.

IMPORTANTE: El refrigerante y el material espumoso de ciclopentano utilizado para el aparato son inflamables. Es responsabilidad del consumidor cumplir con las regulaciones federales y locales al desechar este producto. Los refrigerantes deben ser evacuados por un técnico de refrigerantes certificado y reconocido por la Agencia de Protección Ambiental (EPA por sus siglas en inglés), de acuerdo con los procedimientos establecidos.

REQUISITOS OPERATIVOS

REQUISITOS DE UBICACIÓN

ADVERTENCIA

Peligro de explosión e incendio

- Mantenga los materiales y vapores inflamables, como la gasolina, lejos del electrodoméstico.
- El incumplimiento de estas instrucciones puede provocar la muerte, explosión o incendio.

Este refrigerador está diseñado para para la instalación independiente, y no debe estar empotrado o incorporado.

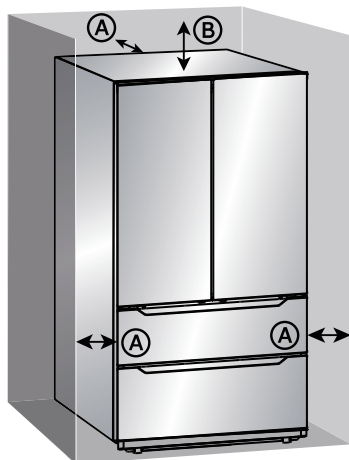
- Coloque el refrigerador en un piso que esté nivelado y lo suficientemente fuerte como para sostener el refrigerador cuando esté completamente cargado.
- Coloque el refrigerador donde haya acceso a la conexión eléctrica requerida. Consulte “Requisitos eléctricos”.
- Ubique el refrigerador lejos de la luz solar directa y las fuentes de calor, como una estufa, un calentador o un radiador.

NOTAS:

- La luz solar directa puede afectar el recubrimiento acrílico y las fuentes de calor pueden aumentar el consumo eléctrico.
- Las temperaturas extremadamente frías también pueden impedir que el refrigerador funcione correctamente.

- Evite ubicar el refrigerador en áreas con alta humedad.
- Se requiere una circulación de aire adecuada para una operación eficiente. Mantenga la separación recomendada para asegurar una circulación de aire adecuada.

ESPACIOS RECOMENDADOS



Ⓐ Área trasera y laterales: 3" (7.6 cm)

Ⓑ Área superior: 3" (7.6 cm)

NOTA: Si coloca el refrigerador junto a una pared fija, deje suficiente espacio en el lado de la bisagra para que la puerta se abra.

REQUISITOS ELÉCTRICOS

⚠ ADVERTENCIA

Peligro de choque eléctrico

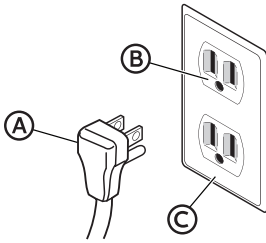
- Enchufe en un tomacorriente de 3 clavijas con conexión a tierra.
- No quite la clavija de conexión a tierra del enchufe del cable de alimentación.
- No use un adaptador.
- No utilice un cable de extensión.
- El incumplimiento de estas instrucciones puede provocar la muerte, incendio o descarga eléctrica.

IMPORTANTE: Se requiere una fuente de alimentación eléctrica de 115 voltios, 60 Hz, de CA solamente, con fusible de 15 amperios y con conexión a tierra.

- Use un tomacorriente que permita la clavija de conexión a tierra.

NOTA: El cable de alimentación está equipado con un enchufe de 3 clavijas (con conexión a tierra) que se acopla a un tomacorriente eléctrico estándar de 3 clavijas (con conexión a tierra).

- Recomendamos que el refrigerador esté enchufado a un circuito eléctrico que sirva SOLAMENTE a este aparato.
- Use un tomacorriente que no pueda apagarse con un interruptor o cadena de tiro.
- NO utilice un cable de extensión.



- (A) Enchufe de 3 clavijas
- (B) Receptáculo de 3 clavijas
- (C) Tapa de la caja del receptáculo

REQUISITOS DEL SUMINISTRO DE AGUA

Se requiere un suministro de agua fría con una presión de agua entre 30 y 100 psi (207 y 689 kPa) para operar la fábrica de hielo. Si tiene preguntas sobre la presión de agua, llame a un plomero calificado y con licencia.

IMPORTANTE: La operación fuera del rango de presión del agua puede causar un funcionamiento defectuoso y fugas de agua graves y perjudiciales.

NOTA: Si la presión del agua es menor que la requerida, los cubitos de hielo podrían tener forma hueca o irregular.

Abastecimiento de agua por ósmosis inversa (si es aplicable)

IMPORTANTE: La presión del suministro de agua que sale de un sistema de ósmosis inversa que va a la válvula de entrada de agua del refrigerador debe estar entre 30 y 100 psi (207 y 689 kPa).

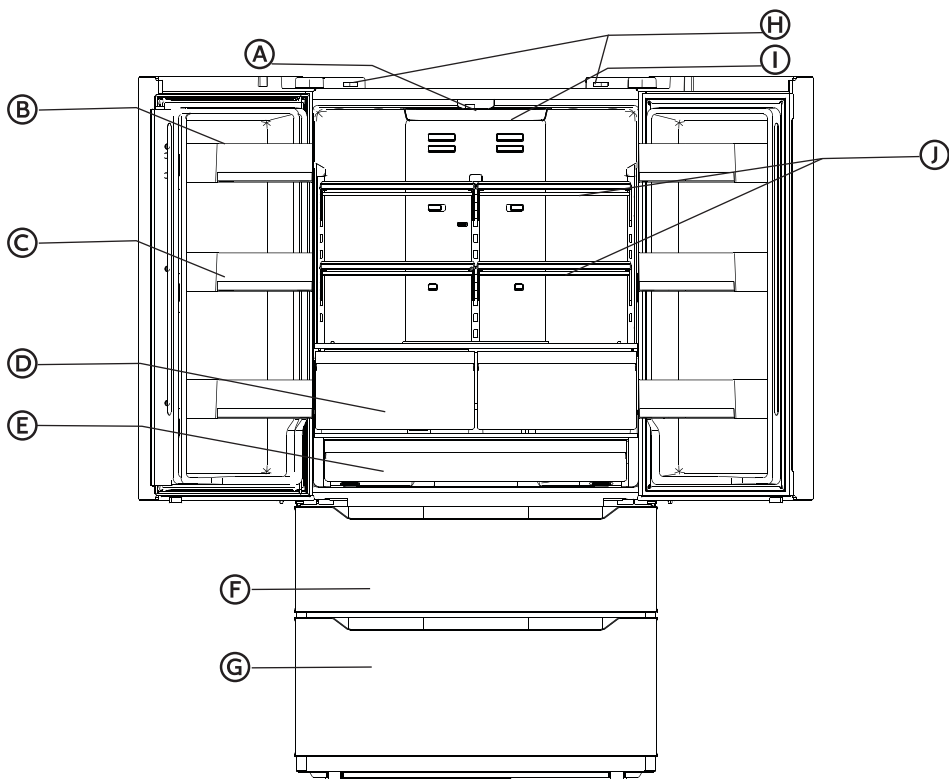
Si la presión del agua es demasiado baja:

Compruebe si el filtro de sedimentos en el sistema de ósmosis inversa está bloqueado. Reemplace el filtro si es necesario.

Permita que el tanque de almacenamiento en el sistema de ósmosis inversa se llene después de un uso intenso. La capacidad del tanque podría ser demasiado pequeña para cumplir con los requisitos del refrigerador.

Si su refrigerador tiene un filtro de agua, el filtro podría reducir aún más la presión del agua si lo usa junto con un sistema de ósmosis inversa. Retire el filtro de agua.

COMPONENTES Y CARACTERÍSTICA



- | | | |
|--|--|---|
| A Iluminación LED | D Cajón de verduras | G Cajón inferior del congelador |
| B Contenedor de Producto Lácteo | E Cajón grande | H Interruptor de luz |
| C Bandeja de puerta | F Cajón superior del congelador | I Control y panel de visualización |
| | | J Estante |

SPECIFICATIONS	
Dimensiones (An. x Prof. x Al.):	35,8" x 29,0" x 69,9" (91,0 x 73,7 x 177,5 cm)
Ancho con la puerta abierta 135°	62,8" (159,6 cm)
Requerimientos de energía	115 V ~ 60 Hz, 15A requerimiento mínimo
Longitud del cable de alimentación	66,9" (170 cm)

INSTALACIÓN

DESEMPACAR

ADVERTENCIA

Peligro de explosión o incendio

- No perforo la tubería del refrigerante.
- Siga cuidadosamente las instrucciones de manejo.
- Se ha utilizado un refrigerante inflamable.
- El incumplimiento de estas instrucciones puede provocar la muerte, explosión o incendio.

IMPORTANTE: Retire TODOS los materiales de empaque exterior e interior, incluido el empaque de espuma entre el condensador exterior y la carcasa del refrigerador.

DESMONTAJE DE LA PUERTA (SOLO SI ES NECESARIO)

Mida el refrigerador para asegurarse que pase por la puerta. Si el refrigerador no puede pasar fácilmente por la puerta, siga las instrucciones para quitar las dos puertas del compartimiento del refrigerador y los paneles frontales de los cajones de temperatura flexible y del congelador.

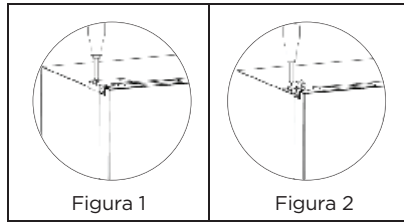
ADVERTENCIA

Peligro de Choque Eléctrico

- Desconecte el suministro de energía antes de sacar las puertas.
- Vuelva a conectar el cable de tierra antes de operar.
- No seguir esta instrucción puede ocasionar la muerte o choque eléctrico.

En algunas situaciones, usted tiene que quitar las puertas del refrigerador y los cajones del congelador para mover el refrigerador a través de la entrada. Las puertas y cajones se pueden ser quitados a través de los siguientes pasos. Si no es necesario, NO retire las puertas y cajones.

1. Quite los 2 tornillos con el destornillador, a continuación, retire la cubierta superior de la bisagra de la puerta izquierda. Ver Figura 1.
2. Afloje los 3 tornillos y 1 tornillo de tierra que fija la bisagra superior con el destornillador, a continuación, retire el borne de enchufe y, a continuación, retire el cuerpo de la puerta izquierda. Ver Figura 2.
3. No tiene tornillo de tierra en la puerta derecha. Siga los pasos restos para la puerta izquierda.

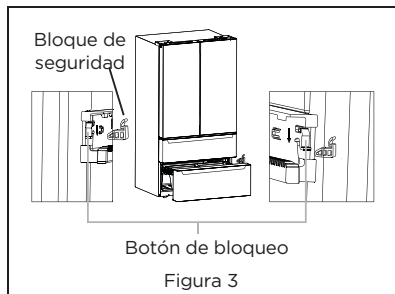


4. Para un cajón, lo primero, retire manualmente el bloque de seguridad del tope. Ver Figura 3.
5. Presione los botones de bloqueo de los rieles deslizantes izquierdo y derecho y empuje lentamente del cajón hacia fuera. Ver Figura 3.

Aviso:

Para la instalación del cajón en su lugar, hay que insertar los rieles deslizantes en la carcasa del riel y empuje lentamente el cajón hacia la parte posterior.

Asegúrese de que las ensamblas de riel están instaladas seguramente y coloque los bloques de seguridad en los botones de bloqueo.



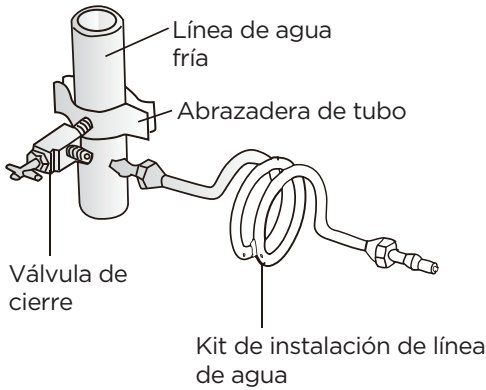
INSTALACIÓN DE LÍNEA DE AGUA

Instalación de Línea de Agua

- La instalación de kits de la línea de agua está disponible como accesorio adicional del distribuidor o en una ferretería local.

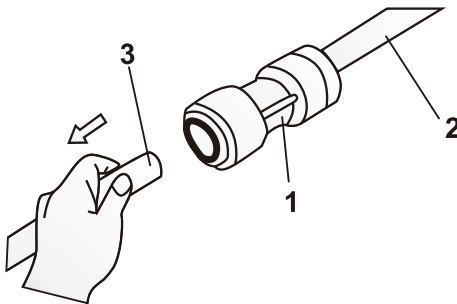
Conexión a La Línea de Suministro de Agua

1. Primero en todo, cierre la línea principal de suministro de agua y la máquina de hielo.
2. Encuentre la válvula de suministro de agua fría cercana.
3. Después de conectar el suministro de agua a la válvula de agua, encienda otra vez más el suministro de agua principal y limpie la línea de suministro de agua con unos galones de agua.



Conexión de La Línea de Agua al Refrigerador

- Existen varios ítems que tiene que comprar para completar esta conexión.
- Estos ítems vendidos como kits podrán encontrar en su ferretería local.



Complete la instalación

ADVERTENCIA

Peligro de Choque Eléctrico

- Conecte a un contacto de pared de conexión a tierra de 3 terminales.
- No quite el terminal de conexión a tierra del cable de alimentación.
- No use un adaptador.
- No use un cable eléctrico de extensión.
- No seguir estas instrucciones puede ocasionar la muerte, incendio o choque eléctrico.

1. Conecte a un contacto de pared de conexión a tierra de 3 terminales.
NOTA: Este refrigerador comienza a funcionar tan pronto como se conecta a la fuente de alimentación.
2. Mueva el refrigerador a su ubicación definitiva, asegurándose de mantener el espacio libre recomendado.

MOVER A LA UBICACIÓN FINAL

ADVERTENCIA

Peligro de explosión o Incendio

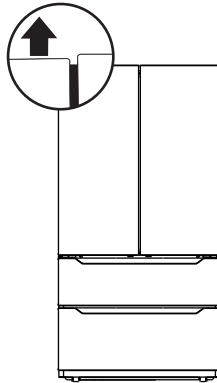
- No perfore la tubería del refrigerante.
- Siga cuidadosamente las instrucciones de manejo.
- Se ha utilizado un refrigerante inflamable.
- El incumplimiento de estas instrucciones puede provocar la muerte, explosión o incendio.

IMPORTANTE:

- Si el refrigerador ha estado en una posición horizontal durante un período de tiempo, espere 24 horas para permitir que el refrigerante se asiente antes de enchufarlo.
- Al mover el refrigerador, NO lo incline más allá de 45° desde la posición vertical.
NOTA: Si inclina el refrigerador más de 45°, podría dañar el compresor y el sistema sellado.
- Evite ejercer presión excesiva en las puertas o la parte superior cuando mueva el refrigerador.

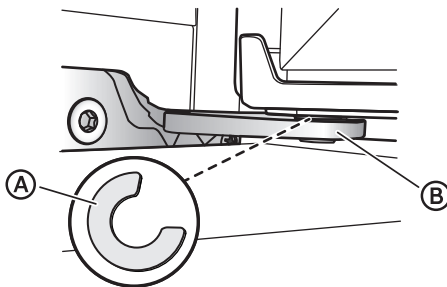
ALINEADO DE LAS PUERTAS (EN CASO DE NECESITARLO)

Si los bordes superiores de las puertas del refrigerador no están alineados, ajuste la altura de la puerta inferior.



1. Levante la puerta inferior de modo que el borde superior esté alineado a la puerta superior.
2. Con un alicate, inserte un aro de fijación (incluido) en el espacio entre la arandela de la bisagra y la bisagra inferior de la puerta.

NOTA: La cantidad de aros de fijación utilizados dependerá del tamaño del espacio.



- (A) Aro de fijación
- (B) Bisagra de la puerta

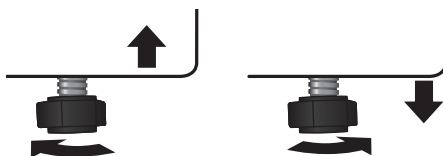
NIVELAR EL REFRIGERADOR

IMPORTANTE: Nivele el refrigerador para un funcionamiento correcto y para evitar problemas de enfriamiento, escarcha y humedad que pueden ocurrir cuando la puerta no cierra correctamente.

1. Mueva el refrigerador a su ubicación final. Consulte “Mover a la ubicación final”.
2. Coloque un nivel de carpintero en la parte superior del gabinete para verificar que el refrigerador esté nivelado de lado a lado y ligeramente inclinado hacia abajo, hacia atrás. Si el refrigerador no está nivelado, vaya a los pasos 3 y 4 para ajustar.

NOTA: Las puertas se cerrarán más fácilmente cuando el frente del refrigerador esté un poco más alto que la parte posterior del refrigerador.

3. Ajuste las dos patas niveladoras (una pata ubicada en cada una de las dos esquinas delanteras de la carcasa del refrigerador), hasta que el refrigerador esté nivelado.
4. Con una persona presionando contra la parte superior frontal del refrigerador para quitar peso de las patas niveladoras, la otra persona puede girar las patas niveladoras para ajustar la altura de cada lado.
5. Utilice el nivel del carpintero para comprobar el nivel y la inclinación.



Para levantar - Gire las patas niveladoras hacia la derecha.

Para bajar - Gire las patas niveladoras hacia la izquierda.

ANTES DE USAR

PERÍODO DE ESPERA

- Antes de enchufar el refrigerador a un tomacorriente eléctrico de 3 clavijas con conexión a tierra, déjelo en posición vertical durante aproximadamente 2 horas.

NOTA: Esto reduce la posibilidad de un mal funcionamiento en el sistema de enfriamiento por un manejo inadecuado durante la transportación.

- Permita que el refrigerador se enfríe durante 2 a 3 horas antes de almacenar alimentos.

LIMPIEZA

1. Lave el interior del refrigerador con un paño suave humedecido con una solución de bicarbonato de sodio (2 cucharadas de bicarbonato de sodio mezclado con 1 litro de agua tibia).
2. Usando un paño suave, seque bien todas las superficies.

USO DEL REFRIGERADOR

GENERAL

- La vida de almacenamiento de los alimentos congelados varía y no se debe exceder el tiempo de almacenamiento recomendado.
- Coloque los alimentos congelados en el refrigerador lo más rápido posible después de la compra.
- No vuelva a congelar alimentos congelados si se han descongelado por completo.



ADVERTENCIA

Peligro de choque eléctrico

- Enchufe en un tomacorriente de 3 clavijas con conexión a tierra.
 - No quite la clavija de conexión a tierra del enchufe del cable de alimentación.
 - No use un adaptador.
 - No utilice un cable de extensión.
 - El incumplimiento de estas instrucciones puede provocar la muerte, incendio o descarga eléctrica.
1. Enchufe el refrigerador en un tomacorriente de 3 clavijas con conexión a tierra
 2. Espere 30 minutos y luego abra la puerta del refrigerador para determinar si el refrigerador está funcionando correctamente.
 3. Coloque los artículos en los compartimentos del refrigerador y del congelador.

CONSEJOS PARA AHORRAR ENERGÍA

- Deje que los alimentos calientes se enfríen a temperatura ambiente antes de colocarlos en el refrigerador. Los alimentos que se congelan muy lentamente pueden perder calidad o echarse a perder.
- La sobrecarga del refrigerador obliga al compresor a funcionar durante más tiempo.
- Envuelva los alimentos adecuadamente y seque los recipientes antes de colocarlos en el refrigerador. Esto reduce la acumulación de escarcha dentro del refrigerador.

- No cubra los estantes del refrigerador con papel de aluminio, papel encerado o papel de toalla. Los revestimientos interfieren con la circulación de aire frío, lo que hace que el refrigerador sea menos eficiente.
- Organice y etiquete los alimentos para reducir las aperturas de las puertas y las búsquedas prolongadas. Retire tantos elementos como sea necesario a la vez, y luego cierre la puerta lo antes posible.
- NO agregue una gran cantidad de alimentos no congelados al refrigerador a la vez. Esto disminuirá la eficiencia de enfriamiento del refrigerador.

CONTROLES



(La figura de arriba es solo para referencia. La configuración real dependerá del producto físico o la declaración del distribuidor)

1. Botones

- | | |
|---|---|
| ① Botón de fabricación de hielo | ② Botón de super-enfriamiento |
| ③ Botón de ajuste de temperatura del compartimento del refrigerador | ④ Botón de ajuste de temperatura del compartimento del congelador |
| ⑤ Botón de super-congelación | ⑥ Botón de bloqueo / desbloqueo |

2. Visualización

a) Al energizar el refrigerador, la pantalla de visualización se muestra totalmente durante 3 segundos, mientras tanto suena la campana de encendido, a continuación, la pantalla de visualización entra en la visualización normal de operación. (Si se enciende por primera vez, la temperatura establecida por defecto del compartimento del refrigerador y el compartimento del congelador es de 41°F / 0°F).

b) Si no hay fallos, mostrará la temperatura establecida de los compartimentos del refrigerador y el congelador.

c) En casos normales, la luz de la pantalla se apaga después de 30 segundos en estado de bloqueo, el funcionamiento del botón en el panel de visualización puede activar la pantalla de visualización; si la acción de abrir la puerta activa la pantalla de visualización, la luz de la pantalla se apagará inmediatamente cuando la puerta esté cerrada. Cuando se ocurre fallos del tipo "código de error visible", la pantalla se iluminará y se apagará después de 30 segundos.

3. Bloqueo / Desbloqueo

- a) Bajo el estado de desbloqueo, mantenga pulsado el botón de bloqueo/desbloqueo durante 3 segundos para entrar en el estado de bloqueo y se suena el zumbador.
- b) Bajo el estado de bloqueo, mantenga pulsado el botón de bloqueo durante 3 segundos para entrar en el estado de desbloqueo y se suena el zumbador.
- c) Si no hay acción de abrir la puerta o cualquier operación de botones dentro de 30 segundos, entrará en el estado de bloqueo.
- d) El sonido de la alarma se puede detener a través de presionar cualquier botón bajo el estado de bloqueo, pero todas las demás operaciones de los botones deben realizarse en el estado de desbloqueo. Si usted realiza las operaciones en el estado de bloqueo, se emitirá un pitido de error.


4. Ajuste de temperatura del refrigerador

Haga clic en el botón de ajuste de temperatura del compartimento del refrigerador para cambiar la temperatura establecida de sí mismo, cada vez que haga clic en el botón, la temperatura establecida bajará 1 °F. En caso de que la temperatura establecida alcance los 34 °F, haga clic nuevamente en el botón, la temperatura establecida cambiará a 44 °F. El ajuste de temperatura entrará en efecto después de que se bloquee el panel de visualización.

5. Ajuste de temperatura del congelador

Haga clic en el botón de ajuste de temperatura del compartimento del congelador para cambiar la temperatura establecida de sí mismo, cada vez que haga clic en el botón, la temperatura establecida bajará 1°F. En caso de que la temperatura establecida alcance los -7°F, haga clic nuevamente en el botón, la temperatura establecida cambiará a 7 °F. El ajuste de temperatura entrará en efecto después de que se bloquee el panel de visualización.

6. Configuración de modo

- 1) Presione el botón **SUPER COOL** para iniciar la función super-enfriamiento. El compartimento del refrigerador se establece automáticamente a 34 °F y se ilumina el ícono **SUPER COOL**. Al salir del modo super-enfriamiento, la temperatura establecida del compartimento del refrigerador volverá a la temperatura establecida anteriormente.
- 2) Presione el botón **SUPER FRZ** para iniciar la función de super-congelación. el compartimento del congelador se establece automáticamente a -7°F y se ilumina el ícono **SUPER FRZ**. Al salir del modo de super-congelación, la temperatura establecida del compartimento del congelador volverá a la temperatura establecida anteriormente.
- 3) Presione el botón **ICE MAKER HOLD TO ON/OFF** para activar o desactivar la función de fabricación de hielo. Cuando el ícono  está encendido, indica que la función de fabricación de hielo está activada.

CUIDADO DEL CONGELADOR

El congelador está diseñado para usarlo durante todo el año y requiere una limpieza y un mantenimiento mínimos. Para mantener el congelador funcionando de manera eficiente y sin olores, le recomendamos que lo limpie regularmente.

LIMPIEZA

ADVERTENCIA

Peligro de choque eléctrico

- Desenchufe el aparato o desconecte la corriente antes de limpiarlo.
- El incumplimiento de estas instrucciones puede provocar la muerte, descargas eléctricas o lesiones personales.

ADVERTENCIA

Peligro de explosión

- Use un limpiador no inflamable.
- El incumplimiento de estas instrucciones puede provocar la muerte, explosión o incendio.

IMPORTANTE: Para evitar dañar el acabado, NO use gasolina, bencina, diluyentes u otros solventes, y NO use limpiadores abrasivos.

1. Desconecte el congelador del tomacorriente.
2. Retire toda la comida.
3. Quite y lave los estantes con una solución de detergente suave.
4. Lave el interior del congelador con un paño suave humedecido con una solución de bicarbonato de sodio (2 cucharadas de bicarbonato de sodio mezclado con 1 litro de agua tibia).
5. Limpie la junta alrededor de la puerta. Limpie suavemente la junta con un paño suave humedecido con una solución de detergente suave.

NOTA: Las juntas deben mantenerse limpias y flexibles para asegurar un sellado adecuado.

6. Usando un paño suave, seque bien todas las superficies.
7. Enchufe o vuelva a conectar la corriente.

MUDANZA

IMPORTANTE: Al mover el refrigerador, NO lo incline más allá de 45° desde la posición vertical.

1. Desconecte el refrigerador del tomacorriente.
2. Retire toda la comida.
3. Asegure con cinta adhesiva todos los artículos sueltos dentro del refrigerador.
4. Asegure con cinta adhesiva la puerta cerrada.

ALMACENAMIENTO

IMPORTANTE: No almacene el refrigerador en un lugar al que puedan acceder los niños.

1. Desconecte el refrigerador del tomacorriente.
2. Retire toda la comida.
3. Limpie el refrigerador.
4. Deje la puerta ligeramente abierta para evitar la posible formación de condensación, moho u olor.

REEMPLAZO DE LUCES

Cualquier sustitución o mantenimiento de las luces LED debe ser realizado por el fabricante, su agente de servicios o una persona con cualificación similar.

SOLUCIÓN DE PROBLEMAS

IMPORTANTE: NO intente reparar el refrigerador usted mismo. Hacerlo invalida la garantía.

GENERAL

PROBLEMA	CAUSA POSIBLE	SOLUCIÓN
El refrigerador no funciona	El refrigerador está desenchufado.	Asegúrese que el cable de alimentación del refrigerador esté completamente enchufado en el tomacorriente.
	El fusible en el circuito está fundido o el disyuntor se ha disparado.	Verifique la caja de fusibles / disyuntores de la casa y reemplace el fusible o reinicie el disyuntor.
	Fallo en el suministro eléctrico.	Si se produce un fallo en el suministro eléctrico, el refrigerador se apaga. Espere hasta que se restablezca la corriente.
	El control de temperatura no está ajustado a la temperatura correcta.	Ajuste la temperatura a un valor más bajo.
	El espacio libre entre el refrigerador y los gabinetes o la pared circundantes es insuficiente.	Asegúrese de que haya suficiente espacio libre alrededor del refrigerador y retire todos los elementos de la parte superior del refrigerador para maximizar la circulación de aire. Consulte "Requisitos de ubicación".
La puerta del refrigerador no cierra completamente	Los paquetes de alimentos están interfiriendo con la puerta.	Mueva o retire algunos alimentos.
	Las juntas de la puerta están sucias.	Limpie las juntas de la puerta.
	El refrigerador puede estar desnivelado.	Nivele el refrigerador.

PROBLEMA	CAUSA POSIBLE	SOLUCIÓN
Las luces LED no se encienden	El refrigerador está desenchufado.	Enchufe en un tomacorriente de 3 clavijas con conexión a tierra.
	La luz LED está fundida.	Comuníquese con un técnico calificado para reemplazar el LED quemado.
La comida en el refrigerador no está fría	La puerta se ha abierto con demasiada frecuencia o no se ha cerrado correctamente.	Asegúrese que la puerta esté cerrada correctamente.
	Una gran cantidad de comida fue añadida recientemente.	Deje que se enfríe la comida que acaba de agregar y luego verifique nuevamente.
	La puerta no está completamente cerrada.	Revise la junta de la puerta y la distribución de los alimentos, y asegúrese que la puerta se cierra completamente.
	El refrigerador ha sido desconectado por un período de tiempo.	Espere 4 horas para que el refrigerador se enfríe completamente antes de agregar alimentos.
	El control de temperatura está en un ajuste demasiado caliente.	Fije el control de temperatura a un ajuste más frío.
Los elementos del compartimento frigorífico se están congelando	Las salidas de aire están bloqueadas.	Coloque los artículos grandes a los lados del estante superior para que no bloqueen la circulación de aire desde el respiradero del centro.
El refrigerador hace ruidos o vibraciones inusuales	El refrigerador puede estar desnivelado.	Ajuste las patas niveladoras ubicadas en las esquinas delanteras del refrigerador hasta que el refrigerador esté nivelado.
	La carcasa del refrigerador está tocando una pared.	Aleje el refrigerador de la pared.
	Las piezas metálicas son sometidas a expansión y contracción.	Esto es normal.
	El refrigerante está circulando por todo el sistema.	Esto es normal.

PROBLEMA	CAUSA POSIBLE	SOLUCIÓN
Se acumula humedad en el interior del refrigerador	La puerta se ha abierto con demasiada frecuencia o no se ha cerrado correctamente.	Asegúrese que la puerta esté cerrada correctamente.
	El refrigerador se encuentra en un área húmeda.	Mueva el refrigerador a un lugar más seco.
	El clima es cálido y húmedo.	Esto es normal.
El compresor se enciende y apaga con frecuencia	La temperatura ambiente es más alta de lo normal.	Esto es normal.
	Una gran cantidad de comida fue añadida recientemente.	Deje que se enfríe la comida que acaba de agregar y luego verifique nuevamente.
	La puerta no está completamente cerrada o se abrió con demasiada frecuencia.	Revise la junta de la puerta y la distribución de los alimentos para asegurarse que la puerta se cierra completamente.
	El refrigerador ha sido desconectado por un período de tiempo.	Espere 4 horas para que el refrigerador se enfríe completamente antes de agregar alimentos.
	El control de temperatura no estaba configurado correctamente.	Fije el control de temperatura en la configuración correcta.
El refrigerador tiene un olor	El refrigerador necesita limpieza.	Limpie el refrigerador. Consulte "Limpieza".
	Los alimentos mal envueltos están desprendiendo un olor.	Envuelva bien los alimentos o séllelos antes de guardarlos en el refrigerador.

CÓDIGOS DE FALLO

Si aparece los consejos siguientes en la pantalla de visualización, indica que hay problemas sobre refrigerador. Aunque el refrigerador puede seguir funcionando las funciones de enfriamiento / congelación bajo el situación de tener los siguientes fallos, el usuario debe poner en contacto con el personal de mantenimiento para asegurar el uso normal del refrigerador.

Código de fallo	Descripción del error
E1	Fallo del sensor de temperatura del compartimento del refrigerador
E2	Fallo del sensor de temperatura del compartimento del congelador
E5	Fallo de descongelación del sensor del compartimento del congelador
E6	Error de comunicación
E7	Error del sensor de temperatura ambiente
EH	Fallo del sensor de humedad
E0	Fallo de fabricación de hielo

GARANTÍA LIMITADA DEL REFRIGERADOR MIDEA

ADJUNTE SU RECIBO AQUÍ. SE REQUIERE COMPROBANTE DE COMPRA PARA OBTENER UN SERVICIO DE GARANTÍA.

Tenga a disposición la siguiente información cuando llame al Centro de servicio al cliente:

- Nombre, domicilio y número de teléfono
- Número de modelo y número de serie
- Una descripción clara y detallada del problema
- Comprobante de compra, incluido el nombre y domicilio del distribuidor o vendedor

SI NECESITA SERVICIO TÉCNICO:

1. Antes de contactarnos para coordinar el servicio técnico, determine si su producto requiere reparación. Algunas preguntas pueden resolverse sin el servicio técnico. Dedique algunos minutos a revisar la sección de Solución de problemas del Manual de usuario, o visite <http://us.Midea.com/> support.
2. Todo servicio técnico de garantía se provee exclusivamente por parte de prestadores de servicio técnico autorizados de Midea, en los EE. UU. y Canadá.

Servicio al cliente de Midea

En EE. UU. o Canadá, llame al 1-866-646-4332.

Si se encuentra fuera de los 50 estados de los Estados Unidos o de Canadá, comuníquese con su distribuidor autorizado de Midea para corroborar si aplica una garantía distinta.

1 AÑO PARA PIEZAS Y MANO DE OBRA, 10 AÑOS PARA PIEZAS DEL COMPRESOR

LO QUE CUBRE

PRIMER AÑO DE GARANTÍA LIMITADA (PIEZAS Y MANO DE OBRA)

Midea reparará o reemplazará, sin cargo, cualquier defecto debido a materiales defectuosos o mano de obra por un año completo a partir de la fecha de compra. Para obtener más detalles sobre la cobertura de la garantía e información sobre reparación de la garantía, visite www.midea.com o llame al **1-866-646-4332**.

El consumidor será responsable de:

- Los costos de diagnóstico, traslado, transporte y reinstalación requeridos por el servicio.
- Los costos de las llamadas de servicio que sean resultado de los artículos enumerados bajo **RESPONSABILIDADES NORMALES DEL CONSUMIDOR****

RESPONSABILIDADES NORMALES DEL CONSUMIDOR**

Esta garantía se aplica solo a los productos de uso doméstico común, y el consumidor es responsable de los puntos que se enumeran a continuación:

1. El uso correcto del electrodoméstico de acuerdo con las instrucciones proporcionadas con el producto.
2. El mantenimiento de rutina y la limpieza necesaria para mantener las buenas condiciones de trabajo.
3. La instalación correcta por un profesional de servicio autorizado de acuerdo con las instrucciones provistas con el electrodoméstico y de acuerdo con todos los códigos locales de plomería, electricidad y/o gas.
4. La conexión adecuada a una fuente de alimentación con conexión a tierra de suficiente voltaje, reemplazo de fusibles quemados, reparación de conexiones flojas o defectos en el cableado de la casa.
5. Los gastos por hacer accesible el electrodoméstico para darle servicio.
6. Los daños al acabado después de la instalación.

SU ÚNICO RECURSO EXCLUSIVO CONFORME A ESTA GARANTÍA LIMITADA SERÁ LA REPARACIÓN O EL REEMPLAZO DEL PRODUCTO SEGÚN SE INDICA. El servicio técnico debe ser provisto por una empresa de servicio técnico designada por Midea. Esta garantía limitada es válida solamente en los 50 estados de los Estados Unidos o Canadá y aplica únicamente cuando el electrodoméstico se utiliza en el país en el que se adquirió. Esta garantía limitada entra en vigencia a partir de la fecha de compra original del consumidor. Se requiere comprobante de la fecha de compra original para obtener el servicio técnico conforme esta garantía.

LO QUE NO CUBRE

1. Fallo causado por daño a la unidad mientras se encuentra en su posesión (que no sea daño causado por un defecto o mal funcionamiento), por su instalación incorrecta o por un uso irrazonable del producto, incluyendo, entre otros, la falta de mantenimiento razonable y necesario o el cumplimiento del Manual de instrucciones e instalación.
2. Los productos comprados “como están” o restaurados no están cubiertos por esta garantía.
3. Pérdida de alimentos causada por falla del refrigerador o congelador.
4. Llamadas de servicio para reparar o reemplazar consumibles como filtros de agua, bombillas, filtros de aire, etc., manijas, perillas y otras partes cosméticas.
5. Un producto que haya sido transferido de su propietario original.
6. Óxido interior o exterior de la unidad.
7. Daños causados por servicios realizados por personas distintas de los servicios autorizados de Midea; uso de partes distintas a las de reemplazo de Midea; lo obtenido de personas que no sean del servicio al cliente de Midea; o causas externas tales como abuso, mal uso, suministro de energía inadecuado o desastres naturales.
8. Llamadas de servicio resultantes por la instalación incorrecta del producto.
9. Llamadas de servicio para darle instrucciones acerca del uso del producto.
10. Recargos que incluyen, entre otros, cualquier llamada de servicio después de hora, fin de semana o días festivos, peajes, cargos por viaje en ferry o gastos de millaje para llamadas de servicio a áreas remotas, incluido el estado de Alaska.
11. Si la unidad se destina a un uso comercial, de negocio, de alquiler u otro uso o aplicación que no sea para uso del consumidor, no ofrecemos ninguna garantía, expresa o implícita, incluida, entre otras, cualquier garantía implícita de comercialización o idoneidad para un uso o propósito particular.
12. Un producto que haya sido retirado fuera de los Estados Unidos o Canadá.
13. Productos sin números de serie originales o productos con números de serie que hayan sido alterados o no puedan determinarse fácilmente.

NOTA: Algunos estados no permiten la exclusión o limitación de daños incidentales o consecuentes. Por lo tanto, esta limitación o exclusión puede no aplicarse a su caso.

El costo de la reparación o reemplazo conforme a estas circunstancias excluidas correrá a cargo del cliente.

EXENCIÓN DE RESPONSABILIDAD DE LAS GARANTÍAS IMPLÍCITAS

LAS GARANTÍAS IMPLÍCITAS, INCLUIDA CUALQUIER GARANTÍA IMPLÍCITA DE COMERCIABILIDAD O GARANTÍA IMPLÍCITA DE IDONEIDAD PARA UN PROPÓSITO ESPECÍFICO, SE LIMITAN A UN AÑO O EL PERÍODO MÁS BREVE PERMITIDO POR LEY. Algunos estados y provincias no permiten limitaciones a la duración de las garantías implícitas de comerciabilidad o idoneidad, de manera que esta limitación podría no aplicar para usted. Esta garantía le otorga determinados derechos legales, y usted cuenta además con otros derechos que varían según el estado o la provincia.

EXENCIÓN DE RESPONSABILIDAD DE LAS DECLARACIONES AJENAS A LA GARANTÍA

Midea no hace ninguna declaración respecto de la calidad, durabilidad o necesidad de servicio técnico o reparaciones para este electrodoméstico, salvo las declaraciones incluidas en esta garantía. Si desea obtener una garantía más extensa o integral que la garantía limitada que se ofrece con este electrodoméstico, consulte con Midea o su vendedor sobre la posibilidad de adquirir una garantía extendida.

LIMITACIÓN DE RECURSOS; EXCLUSIÓN DE RESPONSABILIDAD POR DAÑOS OCASIONALES E INDIRECTOS

SU ÚNICO RECURSO EXCLUSIVO CONFORME A ESTA GARANTÍA LIMITADA SERÁ LA REPARACIÓN DEL PRODUCTO SEGÚN SE INDICA. MIDEA NO SERÁ RESPONSABLE POR DAÑOS OCASIONALES O INDIRECTOS. Algunos estados y provincias no permiten la exclusión o limitación de responsabilidad respecto de los daños ocasionales o indirectos, de manera que esta limitación podría no aplicar para usted. Esta garantía le otorga determinados derechos legales, y usted cuenta además con otros derechos que varían según el estado o la provincia.



make yourself at home