

Bottom Freezer Refrigerator

Safety Instructions..... 2, 3

Operating Instructions

Control Settings..... 4
Functions5, 6
Care and Cleaning7, 8

Installation Instructions

Advanced Planning..... 9
Refrigerator Features..... 10, 11
Preparation..... 12, 13
Refrigerator Compartment14
Freezer Compartment.....15
Ice Maker 16, 17
Door Handles18
Adjustments between Doors.....19
Installing the Water Line..... 20, 21

Troubleshooting Tips

Normal Operating Sounds 22
Problem Solver..... 23, 24

Consumer Support

Product Registration 25
Warranty 27
Consumer Support 28

**Owner's Manual and
Installation Instructions**

MWS21FSKSS

Réfrigérateurs

à congélateur inférieur

**Manuel d'utilisation
et d'installation**

La section française commence à la page 29

*Write the model and serial
numbers here:*

Model # _____

Serial # _____

You can find them on a label inside
the refrigerator.

IMPORTANT SAFETY INFORMATION. READ ALL INSTRUCTIONS BEFORE USING.


IMPORTANT SAFETY INFORMATION READ ALL INSTRUCTIONS BEFORE USING



Moffat Appliances website


For more information on your refrigerator's operation, visit www.moffatappliances.ca or call 800.561.3344

REFRIGERATOR SAFETY INFORMATION


 This is the safety alert symbol. This symbol alerts you to potential hazards that can kill or hurt you and others. All safety messages will follow the safety alert symbol and the word "DANGER", "WARNING", or "CAUTION". These words are defined as:

 **DANGER** Indicates a hazardous situation which, if not avoided, **will** result in death or serious injury.

 **WARNING** Indicates a hazardous situation which, if not avoided, **could** result in death or serious injury.

 **CAUTION** Indicates a hazardous situation which, if not avoided, **could** result in minor or moderate injury.

IMPORTANT SAFETY INSTRUCTIONS

 **WARNING** To reduce the risk of fire, explosion, electric shock, or injury when using your refrigerator follow these basic safety precautions:

- This refrigerator must be properly installed and located in accordance with the Installation Instructions before it is used.
 - Do not allow children to climb, stand or hang on the shelves in the refrigerator. They could damage the refrigerator and seriously injure themselves.
 - Do not touch the cold surfaces in the freezer compartment, particularly when hands are damp or wet. Skin may stick to these extremely cold surfaces.
 - Do not store or use gasoline or other flammable vapors and liquids in the vicinity of this or any other appliance.
 - In refrigerators with automatic ice makers, avoid contact with the moving parts of the ejector mechanism, or with the heating element that releases the cubes. Do not place fingers or hands on the automatic ice making mechanism while the refrigerator is plugged in.
 - Keep fingers out of the "pinch point" areas; clearances between the doors and between the doors and cabinet are necessarily small. Be careful closing doors when children are in the area.
 - Unplug the refrigerator before cleaning and making repairs.
- NOTE:** We strongly recommend that any servicing be performed by a qualified individual.
- Do not refreeze frozen foods which have thawed completely.
 - Do not attempt replacing a burned-out out light bulb. This shall be only completed by a service technician for this unit.

IMPORTANT SAFETY INFORMATION. READ ALL INSTRUCTIONS BEFORE USING.

moffatappliances.ca

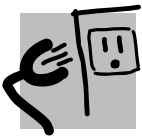
WARNING **Explosion Hazard.**

Keep flammable materials and vapors, such as gasoline, away from refrigerator. Failure to do so can result in fire, explosion, or death.

CONNECTING ELECTRICITY

WARNING **Electrical Shock Hazard.**

Plug into a grounded 3-prong outlet
Do not remove the ground prong
Do not use an adapter
Failure to follow these instructions can result in death, fire, or electrical shock.



Do not, under any circumstances, cut or remove the third (ground) prong from the power cord. For personal safety, this appliance must be properly grounded.

The power cord of this appliance is equipped with a 3-prong (grounding) plug which mates with a standard 3-prong (grounding) wall outlet to minimize the possibility of electric shock hazard from this appliance.

Have the wall outlet and circuit checked by a qualified electrician to make sure the outlet is properly grounded.

Where a standard 2-prong wall outlet is encountered, it is your personal responsibility and obligation to have it replaced with a properly grounded 3-prong wall outlet. Do not use an adapter.

The refrigerator should always be plugged into its own individual electrical outlet which has a voltage rating that matches the rating plate.

This provides the best performance and also prevents overloading house wiring circuits which could cause a fire hazard from overheated wires.

Never unplug your refrigerator by pulling on the power cord. Always grip plug firmly and pull straight out from the outlet.

Repair or replace immediately all power cords that have become frayed or otherwise damaged. Do not use a cord that shows cracks or abrasion damage along its length or at either end.

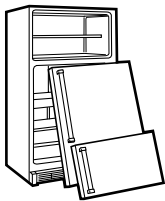
When moving the refrigerator away from the wall, be careful not to roll over or damage the power cord.

PROPER DISPOSAL OF YOUR OLD REFRIGERATOR

WARNING **Suffocation and child entrapment hazard.**

Remove fresh-food and freezer doors from the refrigerator, prior to disposal. Failure to do so can result in child entrapment which can lead to death or brain damage.

IMPORTANT:



Child entrapment and suffocation are not problems of the past. Junked or abandoned refrigerators are still dangerous even if they will sit for "just a few days." If you are getting rid of your old refrigerator, please follow the instructions below to help prevent accidents.

Before You Throw Away Your Old Refrigerator or Freezer:

- Take off the fresh food and freezer doors.
- Leave the shelves in place so that children may not easily climb inside.

Refrigerants

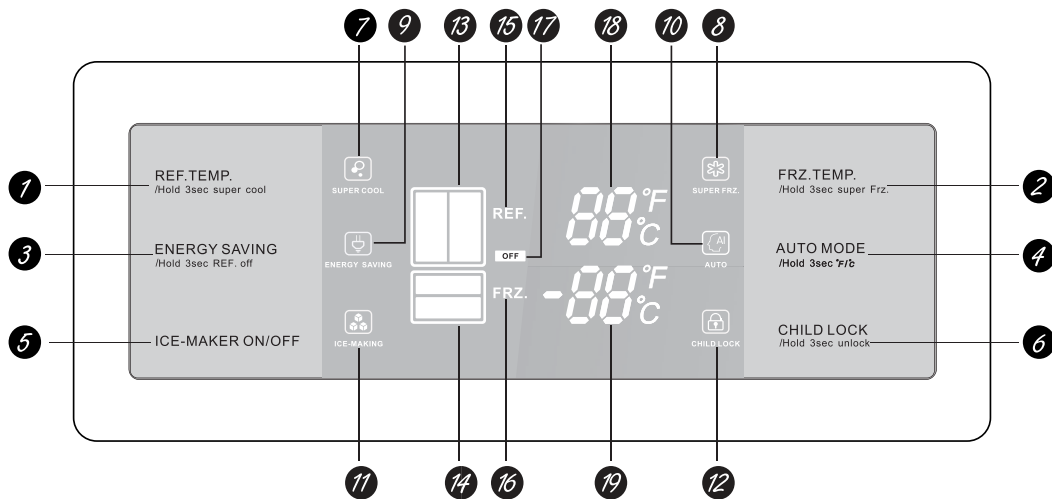
All refrigeration products contain refrigerants, which under federal law must be removed prior to product disposal. If you are getting rid of an old refrigeration product, check with the company handling the disposal about what to do.



READ AND FOLLOW THIS SAFETY INFORMATION CAREFULLY.

SAVE THESE INSTRUCTIONS

About the control on the refrigerator.




Control Buttons

- | | | |
|---|----------------------------|----------------------------|
| 1 Refrigerator temperature control | 3 Energy Saver Mode | 5 Ice-making Switch |
| 2 Freezer temperature control | 4 Auto Mode | 6 Child Lock |

Display Items

- | | | |
|-----------------------------|---|--|
| 7 Fast-Cooling Icon | 12 Locked Icon | 17 Off Icon: Turns off refrigerator |
| 8 Fast-Freezing Icon | 13 Refrigerator Compartment Icon | 18 Refrigerator Temperature |
| 9 Energy-Saving Icon | 14 Freezer Compartment Icon | 19 Freezer Temperature |
| 10 Auto Icon | 15 Refrigerator Indicate | |
| 11 Ice-making Icon | 16 Freezer Indicate | |


Locking & Unlocking

When the "Lock" icon  on the display screen is not illuminated, the door is not locked. In order to activate the child-proof lock, press the **CHILD LOCK** button. The "Lock" icon will illuminate and the door will be locked.

To unlock, press and hold the **CHILD LOCK** button for 3 seconds. The "Lock" icon will go out and the door will be unlocked. If no other keys are pressed with 25 seconds of the door being unlocked, it will automatically re-lock.

Energy Saver Mode

In order to save energy, this mode sets the temperature in the refrigerator at 7°C and the temperature in the freezer at -15°C. **AUTO** mode settings are 5°C and -18°C, respectively.

To activate the **ENERGY SAVING** mode, press the **ENERGY SAVING** mode button and the  icon will illuminate. Enabling the **ENERGY SAVING** mode for the refrigerator will automatically disable all other modes.

To activate the **ENERGY SAVING** mode, do any of the following:

1. Select another mode.
2. Press **REF. TEMP** or **FRZ. TEMP** to exit setup.
3. Press the **ENERGY SAVING** mode button to exit the **ENERGY SAVING** mode when any of the above situations occur.
4. Press **AUTO MODE** to exit the **ENERGY SAVING** mode when any of above situations occur.

Auto Mode

This function will set the temperature of the refrigerator to 5°C and the freezer compartment to -18°C. If the refrigerator compartment is turned off, the auto mode will still be in effect for the freezer compartment.

To activate Auto Mode: Press **AUTO MODE** and the "Auto" icon will illuminate, indicating the activation of **AUTO MODE**. Selecting **AUTO MODE** will automatically de-activate all other modes.

To toggle between Celsius and Fahrenheit display, press and hold the **AUTO MODE** button for 3 seconds.

To de-activate **AUTO MODE**:

1. Select another mode.
2. Press **REF. TEMP.** or **FRZ. TEMP.** to exit setup.

Fast-cooling mode

This mode is used to counteract a sudden rise in the temperature of the refrigerator compartment. The compressor will work for longer cycles to maintain the desired temperature.

To activate the mode, press **REF. TEMP.** for three seconds and the "Super Cool" icon will illuminate. When the fast-cooling mode is activated for the refrigerator compartment, all other modes are automatically de-activated.

The **FAST-COOLING** mode can be de-activated by doing any of the following:

1. Activate the **ENERGY SAVING** or **AUTO** mode.
2. Press **REF. TEMP.** to adjust the temperature.
3. Hold down **REF. TEMP.** for three seconds. When the temperature of the refrigerator compartment reaches the set temperature, **FAST-COOLING** mode will be automatically de-activated.

Fast-freezing mode

This function is used to counteract a sudden rise in the freezer compartment in order to preserve the nutritional content of the food. It is recommended that this mode be activated at least two hours before a large quantity of items is placed into the freezer.

To activate the **FAST-FREEZING** mode, press **FRZ. TEMP.** for three seconds and the "Super Frz." icon will illuminate. When the **FAST-FREEZING** mode is activated for the freezer compartment, and the **ENERGY SAVING** mode or **AUTO MODE** will automatically be de-activated.

The **FAST-FREEZING** mode can be de-activated by doing any of the following:

1. Activate the **ENERGY SAVING** or **AUTO MODE**,
2. Press **FRZ. TEMP.** to adjust the temperature,
3. Press and hold **FRZ. TEMP.** for three seconds. When the temperature of the freezer compartment reaches the set temperature, the **FAST-FREEZING** mode will be automatically de-activated.

About the refrigerator functions.

Turning off the refrigerator compartment

The refrigerator compartment can be independently turned off. When the refrigerator compartment is turned off, the freezer compartment will remain working. This function is recommended when the refrigerator compartment will remain empty for a long period of time.

To independently turn off the refrigerator compartment, press and hold the **ENERGY SAVING MODE** button for three seconds. The **"Refrigerator Compartment"** icon will go out and the **"Off"** icon will illuminate.

The **REFRIGERATOR TEMPERATURE** digital display will read **"—"**.

To turn the refrigerator compartment back on, press and hold the **ENERGY SAVING** button for three seconds. The **"Refrigerator Compartment"** icon will illuminate, the **"Off"** icon will go out, and the **REFRIGERATOR TEMPERATURE** digital display will return to normal.

To set the temperature of the refrigerator compartment

Press the **REF. TEMP.** button and the **REFRIGERATOR TEMPERATURE** digital display will illuminate. To change the temperature setting, press the **REF. TEMP.** button again, until the desired temperature is displayed.

The temperature of the refrigerator compartment can be adjusted between 8 and 2 degrees Celsius with a step of 1°C or between 36 and 46 degrees Fahrenheit with a step of 1°F.

To set the temperature of the freezer compartment

Press the **FRZ. TEMP.** button and the **FREEZER TEMPERATURE** digital display will illuminate. To change the temperature setting, press the **FRZ. TEMP.** button again, until the desired temperature is displayed.

The temperature of the freezer compartment can be adjusted between -13 and -22 degrees Celsius with a step of 1°C or between 9 and -8 degrees Fahrenheit with a step of 1°F.

Function of light-wave fresh-keeping lamp in the crispers

Use of the light-waves is designed to preserve and extend the life of fruits and vegetables.

The light-wave fresh-keeping lamp will turn off if the door is open for more than 60 seconds.

Once the door closes, this feature will cycle for a 15 minute period before turning off.

Ice-making switch

To activate the ice maker, press the **ICE-MAKING** button and the **"Ice Making"** icon will illuminate. The ice maker will begin to make ice.

To turn off the ice maker, press the **ICE-MAKER** button. The ice maker will stop making ice.

When the freezer temperature settles around -5°C the ice maker will take 1-2 hours depending on ambient temperature.

Backlight action

When the refrigerator/freezer door is open or any button is pressed, the **FUNCTION DISPLAY** screen will become illuminated. If no button is pressed and the refrigerator/freezer door has remained open for 30 seconds, the **FUNCTION DISPLAY** will turn off.

Cleaning the Outside

Keep the outside clean. Wipe with a clean cloth lightly dampened with mild liquid dish detergent. Dry with a clean, soft cloth.

Do not wipe the stainless steel door with a soiled dishcloth or wet towel. These may leave a residue that can erode the finish. Do not use scouring pads, powdered cleaners, bleach or cleaners containing bleach because these products can scratch and weaken the finish. Use only a liquid cleanser free of grit and rub in the direction of the brush lines.

The stainless steel door and door handle can be cleaned with a commercially available stainless steel cleaner. Cleaners with oxalic acid (e.g. Bar Keepers Friend Soft Cleanser) will remove rust, lime, and other tarnish. Do not use appliance wax or polish on the stainless steel.

Cleaning the Inside

To help prevent odors, leave an open box of baking soda in the fresh food and freezer compartments.

Unplug the refrigerator before cleaning.

If this is not practical, wring excess moisture out of sponge or cloth when cleaning around switches, lights or controls.

Use warm water and baking soda solution—about a tablespoon (15 ml) of baking soda to a quart (1 liter) of water. This both cleans and neutralizes odors. Rinse and wipe dry.

Other parts of the refrigerator—including door gaskets, fruit and vegetable drawers, and all plastic parts—can be cleaned the same way.

After cleaning the door gaskets, apply a thin layer of petroleum jelly to the door gaskets at the hinge side. This helps keep the gaskets from sticking and bending out of shape. Do not use cleansing powders or other abrasive cleaners.

Do not wash any plastic refrigerator parts in the dishwasher.

Avoid cleaning cold glass shelves (on some models) with hot water because the extreme temperature difference may cause them to break. Handle glass shelves carefully. Bumping tempered glass can cause it to shatter.

Care and cleaning of the refrigerator.

Replacing the Light Bulb

WARNING

*Light bulb may be hot.
Do not attempt to replace the light bulb for this unit. A burned-out light bulb may break if attempted to fix. Please contact your local Moffat Service Technician or contact 800.561.3344.*

CAUTION

Using a bulb rated higher than 40W may damage the control housing and light lens.

Preparing for Vacation

For long vacations or absences, remove food and unplug the refrigerator. Clean the interior with a baking soda solution of one tablespoon (15 ml) of baking soda to one quart (1 liter) of water. Leave the doors open.

Preparing to Move

Remove food and unplug the refrigerator. Secure all loose items such as shelves and drawers by taping them securely in place to prevent damage.

Be sure the refrigerator stays in an upright position during moving.

Installation Instructions

Refrigerator

Model MWS21FSKSS

*If you have questions, call 1.800.561.3344 or Visit our Website at:
www.moffatappliances.ca*

BEFORE YOU BEGIN

Read these instructions completely and carefully.

- **IMPORTANT** – Save these instructions for local inspector's use.
- **IMPORTANT** – Observe all governing codes and ordinances.
- **Note to Installer** – Be sure to leave these instructions with the Consumer.
- **Note to Consumer** – Keep these instructions for future reference.
- Skill level – Installation of this appliance requires basic mechanical skills.
- Completion time – Refrigerator Installation
15 minutes
- Proper installation is the responsibility of the installer.
- Product failure due to improper installation is not covered under the Warranty.

LOCATION REQUIREMENTS

- Do not install the refrigerator where the temperature will go below 55°F (13°C) because it will not run often enough to maintain proper temperatures.
- Install it on a floor strong enough to support it fully loaded.

CLEARANCES

- Free-standing installation only.
- If the refrigerator is being installed next to a wall, leave sufficient space on the hinge side to allow the door to swing open enough to access the clear bins in the refrigerator compartment.
- Do not install within 5" (13 cm) of the range.
- Minimum Clearances:

Back	2" from wall
Sides	3/4"
Top	3/4"

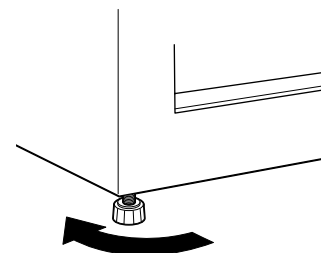
UNPACKING YOUR REFRIGERATOR

- Remove tape and any labels (except for the rating label) from your refrigerator. Tape or glue residue can also be removed by rubbing a small amount of liquid dish soap over the adhesive with your fingers. Wipe with warm water and dry.
- Do not use sharp instruments, rubbing alcohol, flammable fluids, or abrasive cleaners to remove tape or glue. These products can damage the surface of your refrigerator.
- When moving the refrigerator, do not tilt the refrigerator beyond 45° from upright position.

LEVELING LEGS

Adjustable legs at the front corners of the refrigerator should be set so the refrigerator is firmly positioned on the floor, and the front is raised just enough that the door closes easily when opened about halfway.

To adjust the leveling legs, turn the legs clockwise to raise the refrigerator, counterclockwise to lower it.



To raise the refrigerator

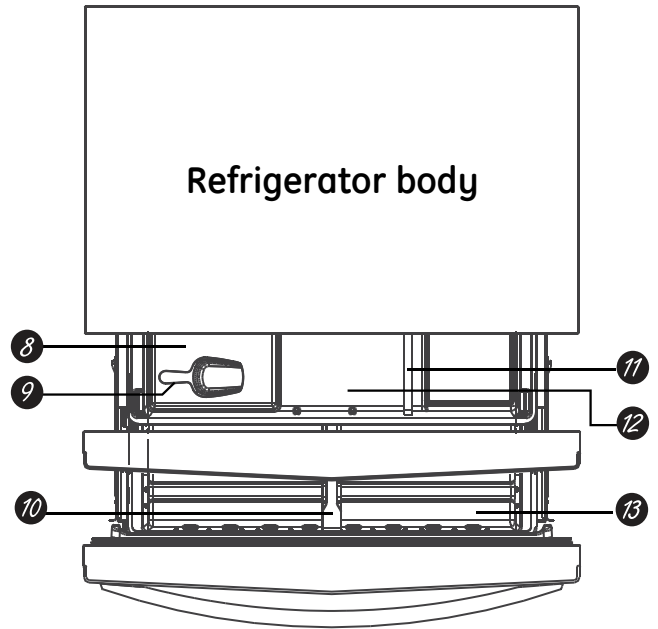
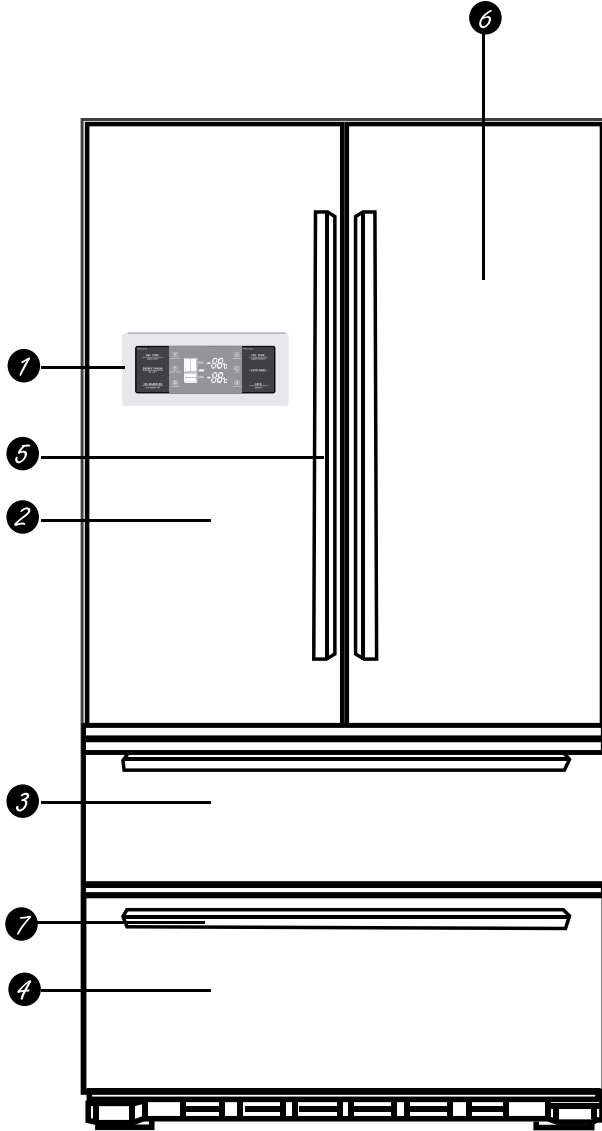
POWER CORD

- Plug the refrigerator power cord into its own properly grounded wall outlet with a voltage rating matching that on the refrigerator rating plate.
- Do not use an extension cord.
- Read all safety precautions on pages 2 and 3.

1" = 2.5 cm; 1' = 0.3 m

Installation Instructions

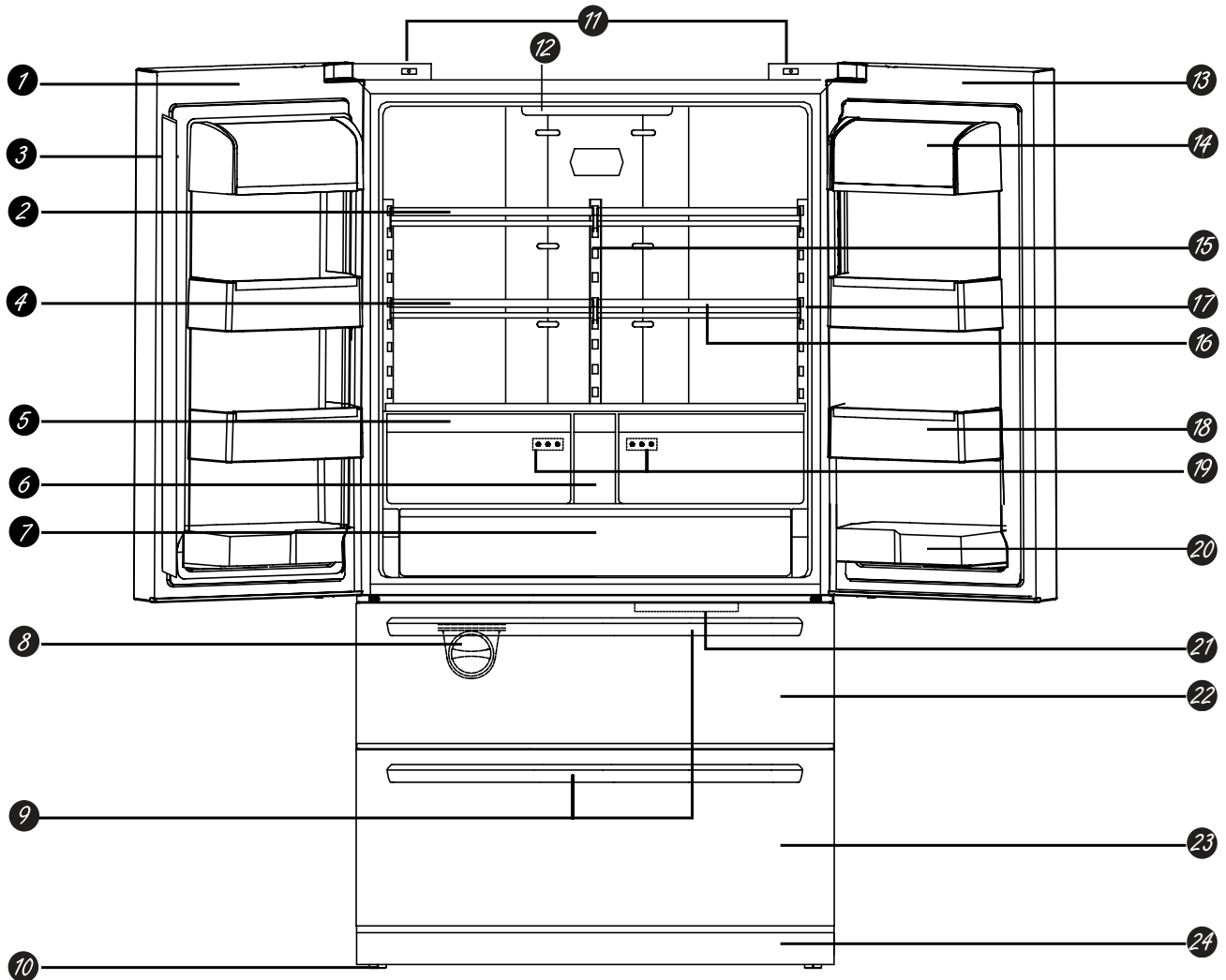
REFRIGERATOR FEATURES (appearance and features may vary)



- ① Display
- ② Left door for refrigerator compartment
- ③ Upper door for freezer compartment
- ④ Lower door for freezer compartment
- ⑤ Door handle
- ⑥ Right door for refrigerator compartment
- ⑦ Drawer Handle

- ⑧ Ice storage box
- ⑨ Ice scoop
- ⑩ Partition plate for lower freezer drawer
- ⑪ Partition plate for upper freezer drawer
- ⑫ Upper freezer drawer
- ⑬ Lower freezer drawer

Installation Instructions



① Left door for refrigerator compartment

② Cantilever rack

③ Turnover beam

④ Sliding cantilever rack

⑤ Fruit and vegetable drawer

⑥ Small drawer

⑦ Big drawer

⑧ Automatic ice maker

⑨ Drawer handle

⑩ Leveling leg

⑪ Switch for refrigerator compartment lamp

⑫ Top lamp for refrigerator compartment

⑬ Right door for refrigerator compartment

⑭ Butter box

⑮ Air duct cover plate

⑯ Folded cantilever rack

⑰ Side lamp for refrigerator compartment

⑱ Gallon bottle rack (With egg bracket)

⑲ Light-wave fresh-keeping lamp

⑳ Special-shaped bottle rack

㉑ Top lamp for freezer compartment

㉒ Upper door for freezer compartment

㉓ Lower door for freezer compartment

㉔ Decorative cover for bottom beam

Installation Instructions

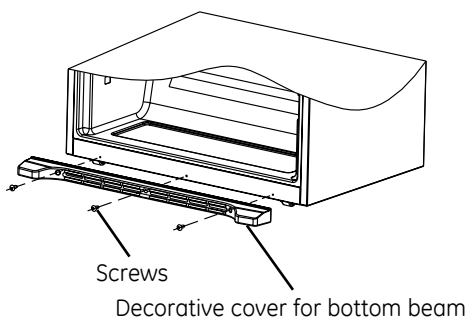
PREPARATION

1 GENERAL PREPARATION

1. Remove all packaging material before using your new refrigerator. This includes the foam base and all adhesive tape holding the refrigerator accessories inside and outside.
2. Clean both the inside and outside of the refrigerator with a wet cloth.
3. The power cord of this appliance is equipped with a 3-prong (grounding) plug which mates with a standard 3-prong (grounding) wall outlet to minimize the possibility of electric shock hazard from this appliance.

For your safety, please review pages 2-3 for more safety information.

4. Inside the refrigerator you will find a decorative accessory to be installed as shown below. The installation of this is purely a personal preference and will not effect the performance or conditions in any way.



2 TRANSPORT OF YOUR REFRIGERATOR

1. Keep upright and avoid squeezing or vibration during transport. Avoid a slant angle over 45 degree during handling.
2. Avoid the door or top cap from being under excessive stress when moving; otherwise, it may become deformed.

3 PLACING OF YOUR REFRIGERATOR

1. Place your refrigerator in a well vented location keeping it away from heat sources and/or direct sunlight. Also, avoid humidity and damp locations to protect the integrity of your appliance..
2. The refrigerator shall be placed on a flat and firm ground (if not flat, you can use the leveling legs for adjustment).

NOTE: Keep your refrigerator standing.

3. Make sure the power wire is not pinned by the refrigerator or other objects so as to avoid accidents arising from power wire faults. Please check the voltage scope of your refrigerator against the actual power supply before switching it on.

CAUTION

The refrigerator must be disconnected from the source of electrical supply before attempting the installation of accessory.

Don't use mechanical equipment or other methods to accelerate the defrosting process except the means recommended by the manufacturer.

Don't use any electrical appliances in the food storage compartments except the model recommended by the manufacture.

The R134a refrigerant and cyclopentane foaming material used in the refrigerator are inflammable.

PREPARATION (CONT.)

4 START TO USE

Prior to use, it is good practice to review all safety and precautionary warnings to ensure safe use of your appliance.

Unpacking

Please install the decorative cover for bottom beam onto your refrigerator after unpacking and adjust the front leveling legs to level your refrigerator.

Connecting Your Refrigerator to the Power Supply

Your refrigerator will enter a default factory state after connecting to the power supply and it will display target temperatures for the refrigerator compartment and freezer compartment.

Work Modes of Your Refrigerator

You can set your refrigerator in either of the following two ways:

AUTO MODE: This mode provides ideal temperatures where no adjustments are required. Temperature adjustments will occur automatically.

MANUAL MODE: This allows the user to manually adjust temperatures to specific preferences.

Storing Food in the Refrigerator

Once installation is complete, you may want to wait until the compartments have reached their required operating temperatures.

Tips: The interior temperature may require a certain period of time to reach balance if the setting temperature is changed or if additional items are added to the refrigerator. Such a period of time depends on the change to the setting temperature, the surrounding temperature, opening frequency, the amount of the stored food and etc.

Installation Instructions

REFRIGERATOR COMPARTMENT

Although the refrigerator compensates for temperature changes during use (maintains around 2 to 8 degrees) certain items may spoil over time. Thus, it is recommended to use the compartments for short term storage options.

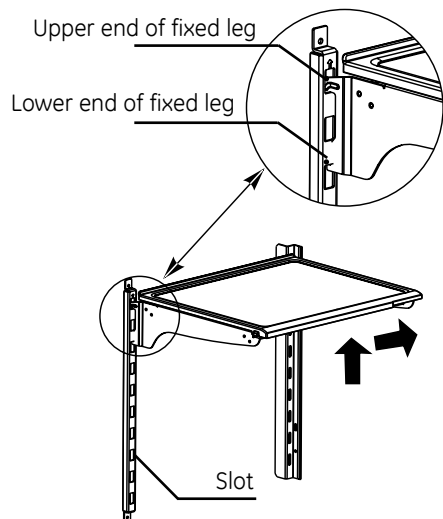
1 USE OF TURNOVER BEAM

Pay careful attention to warning labels regarding the turnover beam as it may generate a warm to hot surface at times. Surface residue or condensation is normal during peak summer days. Simply wipe away with a cloth to keep clean.

2 ADJUSTMENT OF CANTILEVER RACK

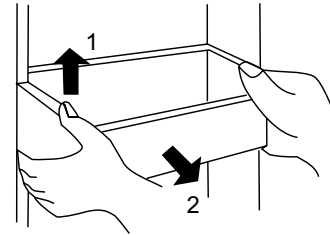
The cantilever rack can be adjusted to the proper height as necessary.

1. Please adjust the cantilever rack by following the arrows as shown in the diagram.
2. Raise it upward first and then take it out by tilting it upward.
3. During installation, match the upper and lower ends of the legs to the supporting structure as shown below.



3 HEIGHT ADJUSTMENT AND CLEANING OF DOOR-MOUNTED BOTTLE RACK

1. Raise the bottle rack in the direction (1).
2. Hold it with both hands and take it out in the direction (2).



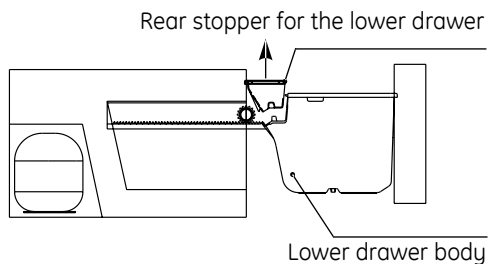
3. After cleaning, you can install the rack in the reverse order and you can also adjust the height of the rack.

Installation Instructions

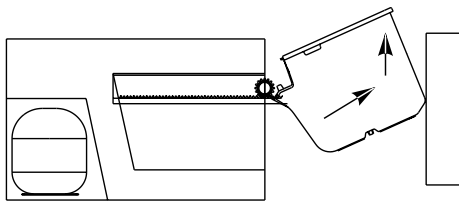
FREEZER COMPARTMENT

1 TAKING-OUT AND INSTALLATION OF THE LOWER FREEZER DRAWER

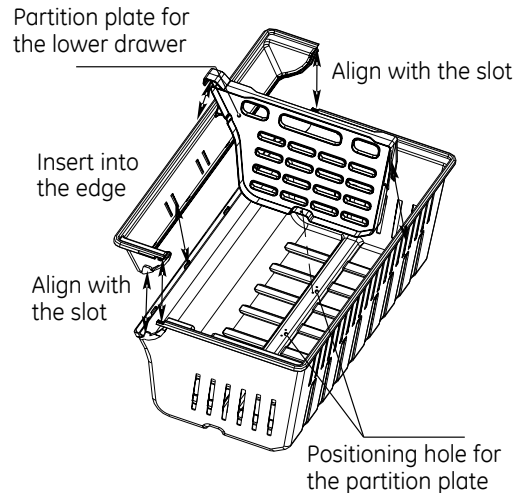
1. Pull out the lower freezer drawer first.
2. Take out the two fixed screws from the partition plate of the lower freezer drawer with a screw driver and then take off the partition plate.
3. Take off the rear stopper for the lower drawer as shown below.



4. Take out the lower drawer body with force as directed by the arrows in the figure below.



5. The installation of the lower drawer body is conducted in the reverse order. You should install the lower drawer body first and then install the rear stopper for the lower drawer as shown in the figure below. Finally, both sides of the drawer shall be connected to the position shown by the arrows respectively.



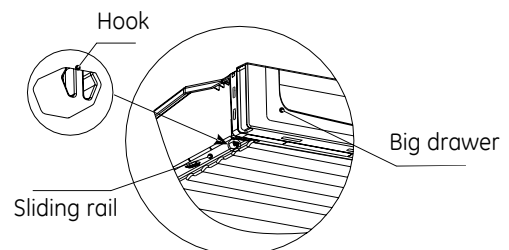
6. The partition plate is installed into the corresponding slots and then is fixed with screws. The position of the partition plate for the lower drawer could be adjusted according to your preference.

NOTE: Don't remove the lower freezer drawer if not necessary.

2 TAKING-OUT AND INSTALLATION OF THE BIG DRAWER

The big drawer has a maximum load of 10kg.

1. Pull out the big drawer.
2. Find the hook at the left and right sides at the drawer bottom (shown in the figure below).



3. Hold the hook at two sides with a nose pliers or tweezers and push it up and out of the groove of sliding rail, and take out the hook at the other side with the same method.
4. Take out the drawer.
5. Install the drawer by putting the hook into the right place.

Installation Instructions

ICE MAKER

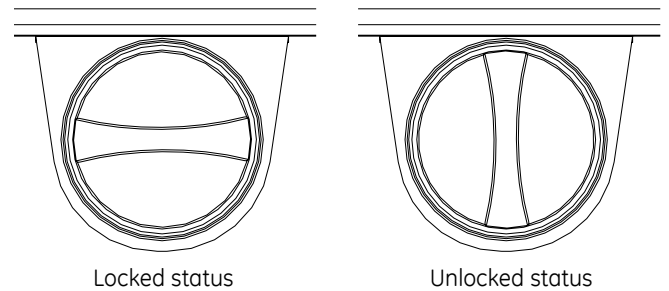
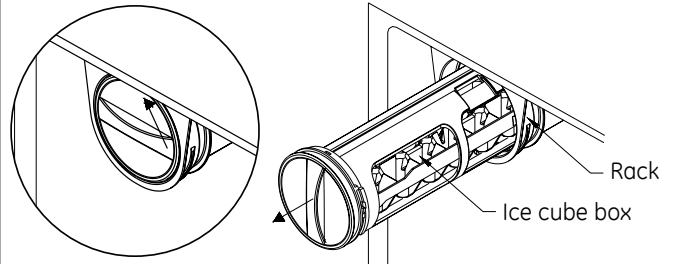
1 OPERATING INSTRUCTIONS ON THE ICE MAKER

1. When the refrigerator is used for the first time, start the ice-maker after 20 min. The ice-maker is capable of producing 1.0~1.1 Kg ice in 24 hours, depending on the temperature of the freezer compartment, surrounding temperature, times of door opening/closing and other working conditions.
2. If you do not intend to use the ice maker, you may switch off the the ice maker at the control panel of the refrigerator door. Ensure to clear the contents of the ice storage box.
3. When the ice marker starts again after a long period of power off, please ensure that ice cubes are not melted. Otherwise, please clear the ice cube box and ice storage box.
4. Ensure there is a constant supply of water to the refrigerator to ensure proper use of the ice maker.
5. It is normal that several ice cubes may stick together or get crushed.
6. When the refrigerator will be used for the first time, the ice maker will begin working after the freezer compartment reaches the correct temperature. The ice-maker could produce about 1.3 Kg ice cubes within 24 hours, which may vary depending on the temperature of freezer compartment, surrounding temperature, times of door opening/closing and other working conditions.
7. The ice-maker is capable of automatic water supply, ice-making and ice-removal. Please don't take out the ice cube box and add water by yourself.

NOTE: If you do not use the ice maker for a long period of time, ensure to inspect the unit, and clean prior to commencing usage.

2 TAKE OUT, CLEAN AND INSTALL THE ICE CUBE BOX

1. Open the upper drawer in the freezer compartment, rotate the knob of ice maker counterclockwise by 90°, turn the handle from the horizontal position to vertical position to release the lock, pull it out and take out the ice cube box, as shown below.



2. Rinse the ice cube box with warm water (below 60°C) and don't use detergent.
3. Dry the ice cube box completely in air in case that water droplets in the ice cube box might cause abnormal functioning of the ice maker.
4. When the ice maker can't move, separate the ice maker as shown above. Then install after ice cubes are melted.
5. Insert the ice cube box onto the rack according to original sequence and rotate to the locked position.

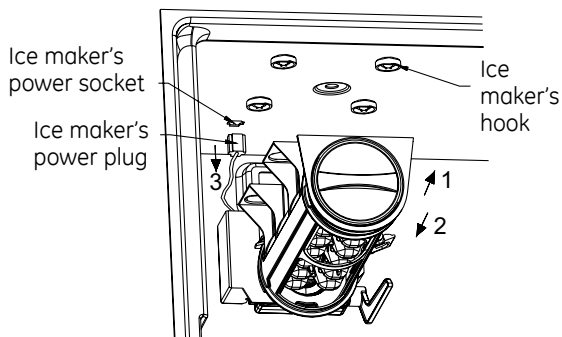
Installation Instructions

ICE MAKER (CONT.)

3 TAKE OUT AND INSTALL THE ICE MAKER

When the ice maker isn't being used, it could be taken out and the vacated space could be used as a part of the freezer compartment.

1. Push the Ice Maker button on the control panel at the refrigerator door and the icemaking sign disappears.
2. Open the door and take out the drawer.
3. Pull the ice-maker out as shown below (1), and then downwards, so that the ice maker is unhooked (2).
4. Pull down the ice maker's power plug so that it is detached from the icemaker's power socket (3).



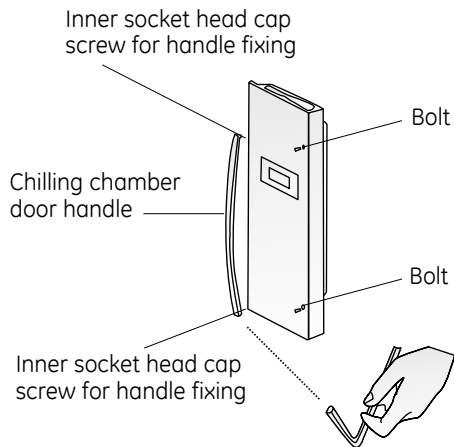
5. Install the ice maker into the original position, push the Ice Maker button, the ice-making symbol appears.
6. Close the door after the ice maker is installed to the proper place, otherwise, it might damage the ice maker.

Installation Instructions

DOOR HANDLES

1 UPPER DOOR HANDLE ASSEMBLY INSTRUCTIONS

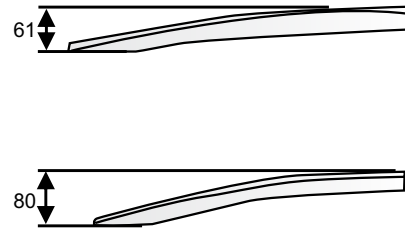
1. Take the handle set bolts out from the refrigerator, use a Phillips head screwdriver to set the bolt on the door. Fix it tight with all the screw thread twisted through the hole, as shown in the figure below.



2. After the first step is completed, take the door handle out from the box, place it as per the direction shown in the figure above.
3. Use the small hexagon spanner supplied in the box to set the handle fixing socket head cap screws into both the small screwed holes on the handle. After they are screwed down, gently shake the handle, so as to confirm that the handle is well erected.

2 DIFFERENCE BETWEEN THE CHILLING AND REFRIGERATION HANDLE

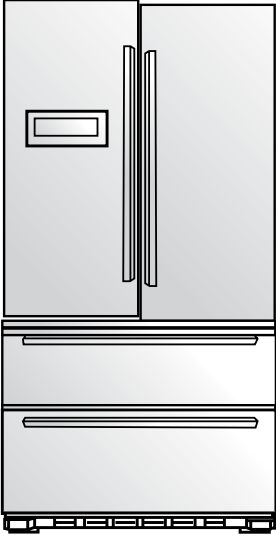
Lie them flat, the one with higher chordal height is the refrigeration handle



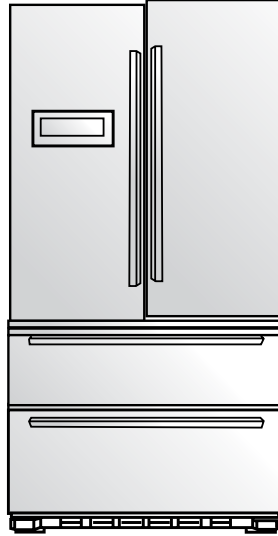
Installation Instructions

MAKING MINOR ADJUSTMENTS BETWEEN DOORS

Remember a level refrigerator is necessary for getting the doors perfectly even. If you need help, review the previous section on leveling the refrigerator.

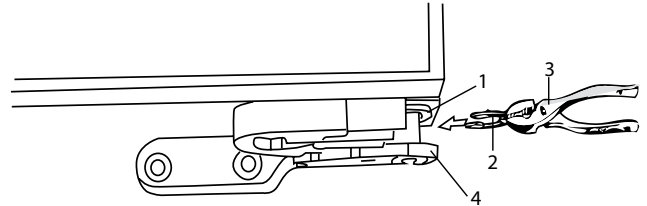


The right doors is lower than the left door.



The left door is lower than the right door.

1. Raise the left door or the right door.
2. Insert the supplied fastener-ring (2) using a pair of pliers (3) in the gap between the hinge-grommet (1) and the lower hinge (4). The number of fastenrings you will need to insert depends on the gap.



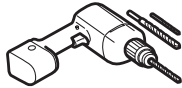
Installation Instructions

INSTALLING THE WATER LINE

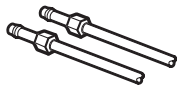
WHAT YOU WILL NEED

NOTE: Refer to your local home store for an approved supply line kit. Certain types of plastic will crack or rupture with age and cause water damage to your home.

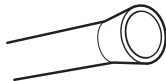
- A cold water supply. The water pressure must be between 20 and 120 p.s.i. (1.4–8.1 bar).



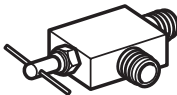
- Power drill.
- 1/2" or adjustable wrench.
- Straight and Phillips blade screwdriver.



- Two 1/4" outer diameter compression nuts and 2 ferrules (sleeves) to connect the copper tubing to the shutoff valve and the refrigerator water valve.
OR



- If your existing copper water line has a flared fitting at the end, you will need an adapter (available at plumbing supply stores) to connect the water line to the refrigerator OR you can cut off the flared fitting with a tube cutter and then use a compression fitting.



- Shutoff valve to connect to the cold water line. The shutoff valve should have a water inlet with a minimum inside diameter of 5/32" at the point of connection to the COLD WATER LINE. Saddle-type shutoff valves are included in many water supply kits. Before purchasing, make sure a saddle-type valve complies with your local plumbing codes.

1" = 2.5 cm; 1' = 0.3 m

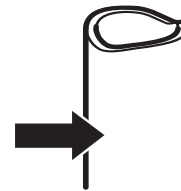
Install the shutoff valve on the nearest frequently used drinking water line.

1 SHUT OFF THE MAIN WATER SUPPLY

Turn on the nearest faucet long enough to clear the line of water.

2 CHOOSE THE VALVE LOCATION

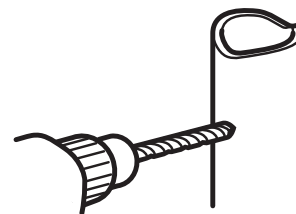
Choose a location for the valve that is easily accessible. It is best to connect into the side of a vertical water pipe. When it is necessary to connect into a horizontal water pipe, make the connection to the top or side, rather than at the bottom, to avoid drawing off any sediment from the water pipe.



3 CHOOSE THE VALVE LOCATION

Drill a 1/4" hole in the water pipe (even if using a self-piercing valve), using a sharp bit. Remove any burrs resulting from drilling the hole in the pipe.

Take care not to allow water to drain into the drill. Failure to drill a 1/4" hole may result in reduced ice production or smaller cubes.

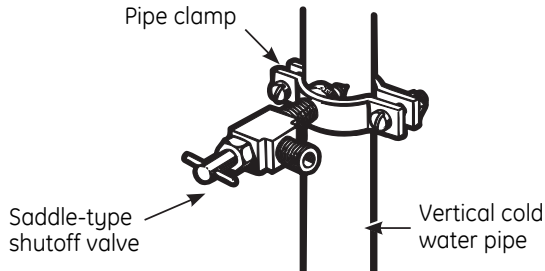


Installation Instructions

INSTALLING THE WATER LINE (CONT.)

4 FASTEN THE SHUTOFF VALVE

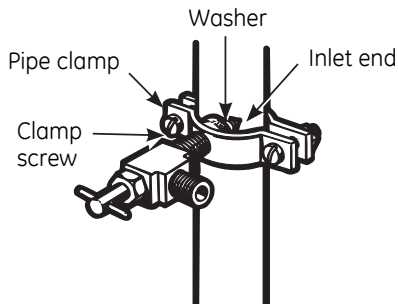
Fasten the shutoff valve to the cold water pipe with the pipe clamp.



5 TIGHTEN THE PIPE CLAMP

Tighten the clamp screws until the sealing washer begins to swell.

NOTE: Do not over tighten or you may crush the tubing.



6 ROUTE THE TUBING

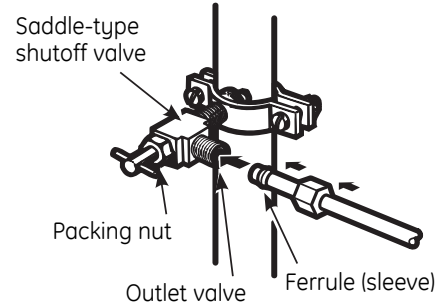
Route the tubing between the cold water line and the refrigerator.

Route the tubing through a hole drilled in the wall or floor (behind the refrigerator or adjacent base cabinet) as close to the wall as possible.

7 CONNECT THE TUBING TO THE VALVE

Place the compression nut and ferrule (sleeve) for copper tubing onto the end of the tubing and connect it to the shutoff valve.

Make sure the tubing is fully inserted into the valve. Tighten the compression nut securely.



8 FLUSH OUT THE TUBING

Turn the main water supply on and flush out the tubing until the water is clear.

Shut the water off at the water valve after about one quart (1 liter or 2 minutes) of water has been flushed through the tubing.



Normal operating sounds.



Newer refrigerators sound different from older refrigerators. Modern refrigerators have more features and use newer technology.

Do you hear what I hear? These sounds are normal.

HUMMM... WHOOSH...

- The new high efficiency compressor may run faster and longer than your old refrigerator and you may hear a high-pitched hum or pulsating sound while it is operating.
- You may hear a whooshing sound when the doors close. This is due to pressure equalizing within the refrigerator.



- You may hear the fans spinning at high speeds. This happens when the refrigerator is first plugged in, when the doors are opened frequently or when a large amount of food is added to the refrigerator or freezer compartments. The fans are helping to maintain the correct temperatures.

CLICKS, POPS, CRACKS and CHIRPS

- You may hear cracking or popping sounds when the refrigerator is first plugged in. This happens as the refrigerator cools to the correct temperature.
- The compressor may cause a clicking or chirping sound when attempting to restart (this could take up to 5 minutes).
- Expansion and contraction of cooling coils during and after defrost can cause a cracking or popping sound.
- On models with an ice maker, after an ice making cycle, you may hear the ice cubes dropping into the ice bucket.

WATER SOUNDS



- The flow of refrigerant through the freezer cooling coils may make a gurgling noise like boiling water.
- Water dropping on the defrost heater can cause a sizzling, popping or buzzing sound during the defrost cycle.
- A water dripping noise may occur during the defrost cycle as ice melts from the evaporator and flows into the drain pan.
- Closing the door may cause a gurgling sound due to pressure equalization.

Before you call for service...



*Troubleshooting Tips
Save time and money! Review the charts on the following pages first and you may not need to call for service.*

Problem	Possible Causes	What To Do
Refrigerator does not operate	Refrigerator in defrost cycle.	Wait about 30 minutes for defrost cycle to end.
	Refrigerator is unplugged.	Push the plug completely into the outlet.
	The fuse is blown/circuit breaker is tripped.	Replace fuse or reset the breaker.
Vibration or rattling (slight vibration is normal)	Front leveling legs need adjusting.	See <i>Leveling Legs</i> .
Motor operates for long periods or cycles on and off frequently. (Modern refrigerators with more storage space and a larger freezer require more operating time. They start and stop often to maintain even temperatures.)	Normal when refrigerator is first plugged in.	Wait 24 hours for the refrigerator to completely cool down.
	Often occurs when large amounts of food are placed in refrigerator.	This is normal.
	Door left open.	Check to see if a package is holding door open.
	Hot weather or frequent door openings.	This is normal.
	Temperature control set at the coldest setting.	See <i>About the Refrigerator Functions</i> .
Fresh food or freezer compartment too warm	Temperature control not set cold enough.	See <i>About the Refrigerator Functions</i> .
	Warm weather or frequent door openings.	Set the temperature control one step colder. See <i>About the Refrigerator Functions</i> .
	Door left open.	Check to see if a package is holding door open.
Frost or ice crystals on frozen food (frost within package is normal)	Door left open.	Check to see if a package is holding door open.
	Too frequent or too long door openings.	
Ice cubes have odor/taste	Food transmitting odor/taste to ice cubes.	Wrap foods well.
	Interior of refrigerator needs cleaning.	See <i>Care and Cleaning</i> .
Slow ice cube freezing	Door left open.	Check to see if package is holding door open.
	Temperature control not set cold enough.	See <i>About the Refrigerator Functions</i> .
Refrigerator has odor	Foods transmitting odor to refrigerator.	Foods with strong odors should be tightly wrapped. Keep an open box of baking soda in the refrigerator; replace every three months.
	Interior needs cleaning.	See <i>Care and Cleaning</i> .
Moisture forms on outside of refrigerator	Not unusual during periods of high humidity.	Wipe surface dry.
Moisture collects inside (in humid weather, air carries moisture into refrigerator when doors are opened)	Too frequent or too long door openings.	

Before you call for service...



Troubleshooting Tips
 Save time and money! Review the charts on the following pages first and you may not need to call for service.

Problem	Possible Causes	What To Do
Interior light does not work	No power at outlet.	Replace fuse or reset the breaker.
	Light bulb burned out.	See <i>Replacing the Light Bulb</i> .
Food is freezing in the refrigerator	Food too close to the air vent at the back of the refrigerator.	Move the food away from the air vent.
	Refrigerator control is set too cold.	Move the refrigerator control to a warmer temperature setting one increment at a time. See <i>About the Refrigerator Functions</i> .
Rust, tarnish, or grime on stainless steel doors	Moist environment or salt air.	Clean stainless steel with cleaners containing oxalic acid (e.g. Bar Keepers Friend Soft Cleanser) will remove rust, lime, and other tarnish. Do not wipe the refrigerator with a soiled dish cloth or wet towel. Do not use scouring pads, powdered cleaners, bleach or cleaners containing bleach because these products can scratch and ruin the brush finish of the stainless steel.

Please place in envelope and mail to:
Veuillez mettre dans une enveloppe et envoyez à :

**OWNERSHIP REGISTRATION
P.O. BOX 1780
MISSISSAUGA, ONTARIO
L4Y 4G1**

(FOR CANADIAN CONSUMERS ONLY)



For Canadian
Customers



Pour les
Consommateurs
Canadiens

CUT ALONG THIS LINE AND RETURN CARD — THANKS

OWNERSHIP REGISTRATION CERTIFICATE – FICHE D'INSCRIPTION DU PROPRIÉTAIRE

Please register your product to enable us to contact you in the remote event a safety notice is issued for this product and to allow for efficient communication under the terms of your warranty, should the need arise.
Veuillez enregistrer votre produit afin de nous permettre de communiquer avec vous si jamais un avis de sécurité concernant ce produit était émis et de communiquer facilement avec vous en vertu de votre garantie, si le besoin s'en fait sentir.

REGISTER ON-LINE: www.geappliances.ca MAIL TO: **P.O. BOX 1780, MISSISSAUGA**

ENREGISTREMENT SUR INTERNET À: www.electromenagersge.ca POSTER À: **ONTARIO, L4Y 4G1**

MR. / M MRS. / MME. FIRST NAME / PRÉNOM LAST NAME / NOM
 MISS/MILLE. MS.

STREET NO / N° RUE STREET NAME / RUE APT.NO/APP./RR#

CITY / VILLE PROVINCE POSTAL CODE POSTAL

AREA CODE / IND. REG. TELEPHONE E-MAIL

DID YOU PURCHASE A SERVICE CONTRACT FOR THIS APPLIANCE? YES/OUI IF YES/SI OUI : EXPIRATION
AVEZ-VOUS ACHETÉ UN CONTRAT DE SERVICE POUR CET APPAREIL ? NO/NON Y/A M DU

NAME OF SELLING DEALER / NOM DU MARCHAND MODEL / MODÈLE

INSTALLATION DATE / DATE D'INSTALLATION CORRESPONDENCE ENGLISH
Y/A M DU CORRESPONDANCE FRANÇAIS SERIAL / SÉRIE

I do not wish to receive any promotional offers regarding this product.
Je ne désire pas recevoir d'offres promotionnelles concernant ce produit.

Refrigerator Warranty.

All warranty service provided by our Factory Service Centers, or an authorized Customer Care® technician. To schedule service call 1-800-561-3344.

Please have serial number and model number available when calling for service.

Staple your receipt here.
Proof of the original purchase date is needed to obtain service under the warranty.

For The Period Of: MC Commercial Inc. Will Replace

One Year

From the date of the original purchase

Any part of the refrigerator which fails due to a defect in materials or workmanship.

During this **limited one-year warranty**, MC Commercial Inc. will also provide, **free of charge**, all labor and related service to replace the defective part.

What MC Commercial Inc. Will Not Cover:

- Service trips to your home to teach you how to use the product.
- Improper installation, delivery or maintenance.
- Failure of the product if it is abused, misused, or used for other than the intended purpose or used commercially.
- Loss of food due to spoilage.
- Replacement of house fuses or resetting of circuit breakers.
- Damage caused after delivery.
- Replacement of the water filter cartridge, if included, due to water pressure that is outside the specified operating range or due to excessive sediment in the water supply.
- Replacement of the light bulbs, if included, or water filter cartridge, if included, other than as noted above.
- Damage to the product caused by accident, fire, floods or acts of God.
- Incidental or consequential damage caused by possible defects with this appliance.
- Product not accessible to provide required service.

EXCLUSION OF IMPLIED WARRANTIES-Your sole and exclusive remedy is product repair as provided in this Limited Warranty. Any implied warranties, including the implied warranties of merchantability or fitness for a particular purpose, are limited to one year or the shortest period allowed by law.

This warranty is extended to the original purchaser and any succeeding owner for products purchased in Canada for home use within Canada.

In-home warrant service will be provided in areas where it is available and deemed reasonable by MC Commercial Inc. to provide.

Warrantor: MC Commercial Inc., Burlington, ON L7R 5B6

Consumer Support.



Schedule Service

Expert repair service is only one step away from your door.
Call 1.800.561.3344 during normal business hours.



Real Life Design Studio

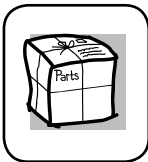
We support Universal Design concept-products, services and environments that can be used by people of all ages, sizes and capabilities. We recognize the need to design for a wide range of physical and mental abilities and impairments. For details of our Universal Design applications, including kitchen design ideas for people with disabilities, check out our Website today.

Write to us: Director, Customer Relations, MC Commercial Inc.
Bureau 310, 1 Factory Lane
Moncton, N.B. E1C 9M3



Extended Warranties

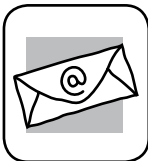
Please consult your local listings for extended warranty suppliers.



Parts and Accessories

Consult the yellow pages for the nearest authorized parts distributor, or call 1.800.661.1616.

Instructions contained in this manual cover procedures to be performed by any user.
Other servicing generally should be referred to qualified service personnel. Caution must be exercised, since improper servicing may cause unsafe operation.



Contact Us

If you are not satisfied with the service you receive, contact us on our Website with all the details including your phone number, or write to:

Director, Customer Relations, MC Commercial Inc.
Bureau 310, 1 Factory Lane
Moncton, N.B. E1C 9M3



Register Your Appliance

moffatappliances.ca

Register your new appliance on-line-at your convenience! Timely product registration will allow for enhanced communication and prompt service under the terms of your warranty, should the need arise.
You may also mail in the pre-printed registration card included in the packing material.