

MONOGRAM 36" BUILT-IN BOTTOM-FREEZER REFRIGERATOR ZIC360NNLH



FLUSH INSET INSTALLATION

Allows the refrigerator to be installed flush with adjacent cabinetry

CUSTOM APPEARANCE

Allows personalization with cabinet-compatible panels and custom handles

UPFRONT ELECTRONIC CONTROLS WITH DIGITAL READOUT

Allows precise temperature settings and are positioned for maximum ease of use

HUMIDITY CONTROLLED VEGETABLE COMPARTMENTS AND SEALED SNACK PANS

Help maintain freshness and help preserve foods longer

ADJUSTABLE, SPILL PROOF GLASS SHELVES

Make it easy to customize storage to handle foods and containers of various sizes

2 SEALED DELI PANS WITH FULL EXTENSION SLIDES

SIX ADJUSTABLE DOOR BINS

Offer added storage flexibility

GE WATER™ FILTRATION SYSTEM

Delivers clean, great tasting ice

SECTION 1

STANDARD INSTALLATION

1/4" FRAMED PANELS



3/4" OVERLAY PANELS



SECTION 2

FLUSH INSET INSTALLATION

REQUIRES ADDITIONAL TRIM KIT ZKFN





SPECIFICATIONS

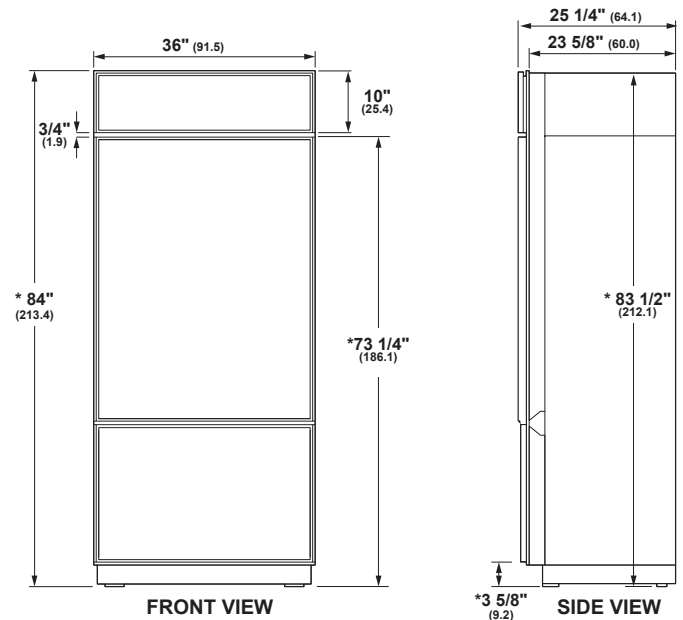
Overall Width	36" (91.4 cm)
Overall Height	84" (213.4 cm)
Overall Depth	25 1/4" (64.1 cm)
Door Clearance	36 1/2" (92.7 cm)
Cutout Width	35 1/2" (90.2cm)
Cutout Height	83 1/2" - 84 1/2" (212.1 - 214.6 cm)
Cutout Depth	24" (61 cm)
Plumbing Requirements	1/4" OD copper tubing or GE SmartConnect kit
Shipping Weight	640 lb (290 kg)

ATTENTION ELECTRICIAN:

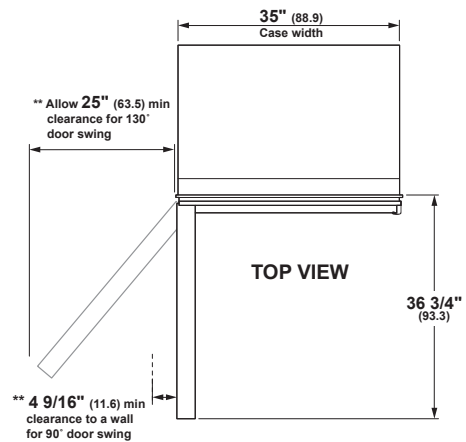
A 115 volt 60Hz., 15 or 20 amp power supply is required. An individual properly grounded branch circuit or circuit breaker is recommended. Install a properly grounded 3-prong electrical receptacle recessed into the back wall.

OVERALL DIMENSIONS

STANDARD INSTALLATION



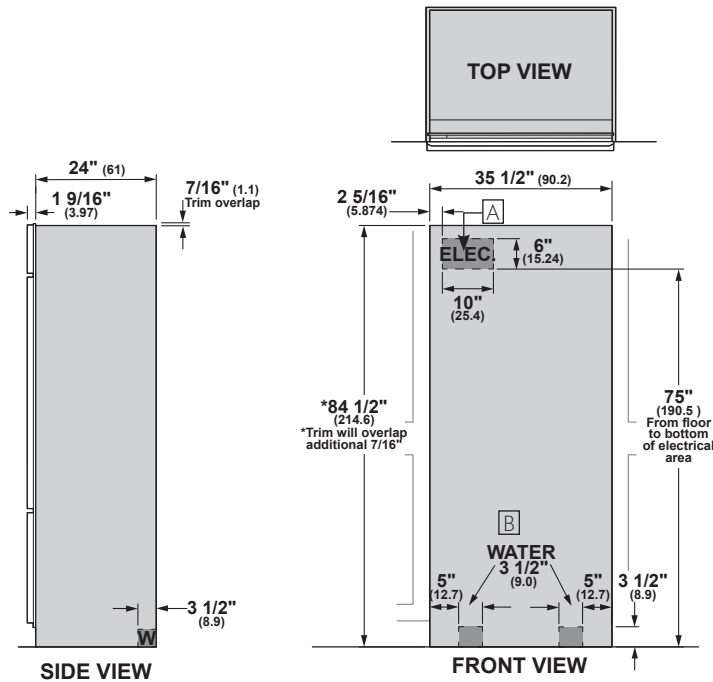
* Shipping height. Use leveling legs and wheels for maximum 1" height adjustment from shipping height.



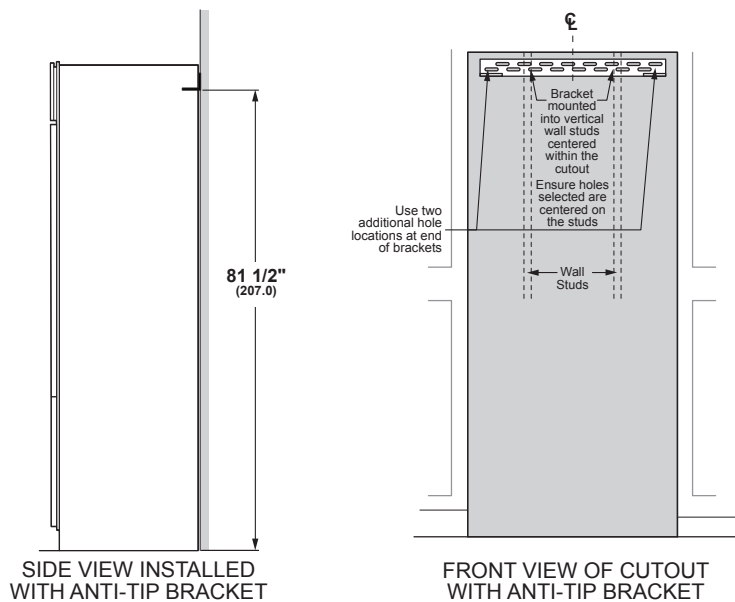
** Dimensions based on custom handle height of 2 9/16" (6.5).

Dimensions in parentheses are in centimeters unless otherwise noted. Actual product dimensions may vary due to manufacturing tolerances.

STANDARD INSTALLATION



ANTI-TIP BRACKET



STANDARD INSTALLATION

HELPFUL TIPS

- A** Mounting the junction box in this location will also allow for front accessibility through access panel.
- B** Water supply area.

⚠ WARNING:

The refrigerator is top heavy and must be secured to prevent the possibility of tipping forward. Failure to do so may result in death or serious injury.

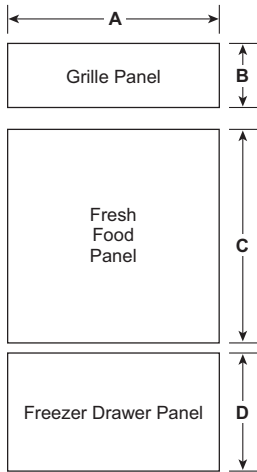
The information below is for cabinet design only. When installing the anti-tip system you must use the product installation instructions.

The information below applies to all installation constructions:

- A wall bracket, bolts and toggles will be supplied with the unit.
- The bolts will be used to attach bracket to wall in 4 locations. Two of the locations must penetrate the center of the wall studs.
- The toggles are used for stability in drywall and when metal studs are encountered. Lag bolts are used in wood studs.
- In installation opening, measure 81-1/2" from floor and draw a horizontal line.
- Locate and mark the wall studs on horizontal line. Verify at least two studs have their centerlines within the center 32-1/2" of installation opening to ensure 2 wall studs are penetrated.
- The bracket will be centered left to right in opening with bottom of bracket on the horizontal line.
- When unit is placed in opening, the bracket tabs will align with openings in back of the unit. The unit will be secured to the bracket using supplied "L" bolts.

See Installation Instructions for detailed instructions.

STANDARD 1/4" FRAMED PANEL DIMENSIONS SINGLE INSTALLATION



PANEL ASSEMBLY CROSS SECTION



PANEL DIMENSIONS

	A	B	C	D
1/4" Framed Panel	33 7/8"	8 7/8"	46 1/16"	21 7/8"

STANDARD INSTALLATION

HELPFUL TIPS

Trimmed refrigerators are designed to be customized with decorative panels. Field-installed custom door and grille panels are required.

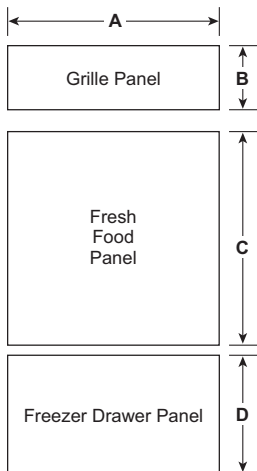
1/4" FRAMED PANELS:

For 1/4" thick custom panels ordered from your cabinet maker. The decorative panels slide into the trim.

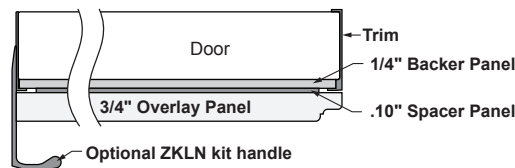
MAXIMUM TOTAL PANEL WEIGHT:

- Fresh food door panel – 58 lbs.
- Freezer drawer panel – 28 lbs.
- Grille panel – 11 lbs.

STANDARD 3/4" OVERLAY PANEL DIMENSIONS SINGLE INSTALLATION



PANEL ASSEMBLY CROSS SECTION



PANEL DIMENSIONS

	A	B	C	D
1/4" Backer Panel	33 7/8"	8 7/8"	46 1/16"	21 7/8"
.10" Spacer Panel	32 1/2"	7 5/8"	44 11/16"	20 1/2"
3/4" Overlay Panel	34 1/8"	9"	46 5/16"	22"

3/4" OVERLAY PANELS:

The decorative panels slide into the trim. The overlay panel must be secured to a 1/4"-thick backer panel which slides into the trim. A spacer panel 0.10" thick must be placed between the overlay and backer panels. Center each panel over the other. Assemble the panels with glue and screws. Screws must be countersunk into the backer panel.

NOTE: Left-to-right offset is not always equal to top-to-bottom offset.

MAXIMUM TOTAL PANEL WEIGHT:

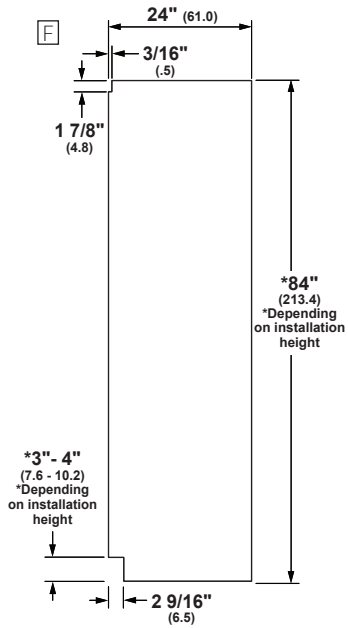
- Fresh food door panel – 58 lbs.
- Freezer drawer panel – 28 lbs.
- Grille panel – 11 lbs.

DOOR HANDLES:

Door handle not included. Custom handles supplied by your cabinet maker may be used.

Optional visor handle kit ZKLN available.

CUSTOM SIDE PANELS

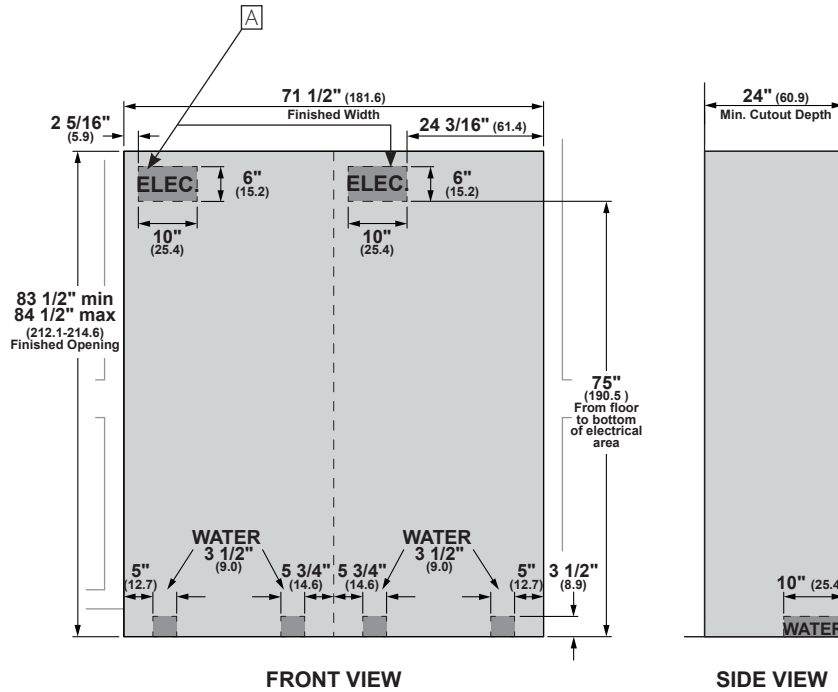


STANDARD INSTALLATION

HELPFUL TIPS

- Side panels must be used whenever the sides of the refrigerator will be exposed. The 1/4" side panels will slip into the side case trim. Secure the panels to the refrigerator with stick-on hook and loop fastener strips. Order the side panels from the cabinet manufacturer.

DUAL INSTALLATIONS

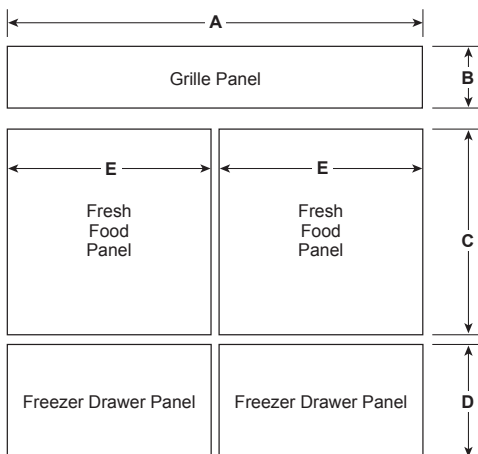


STANDARD INSTALLATION

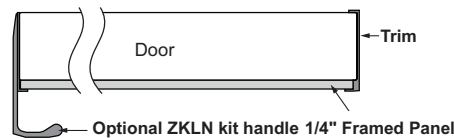
HELPFUL TIPS

A A separate 115V, 60Hz, 15- or 20-amp power supply is recommended for each product. Additional cutout width may be required when side panels are used.

STANDARD 1/4" FRAMED PANEL DIMENSIONS DUAL INSTALLATION



PANEL ASSEMBLY CROSS SECTION



Trimmed refrigerators are designed to be customized with decorative panels. Field-installed custom door and grille panels are required.

1/4" FRAMED PANELS: For 1/4" thick custom panels ordered from your cabinet maker. The decorative panels slide into the trim.

MAXIMUM TOTAL PANEL WEIGHT:

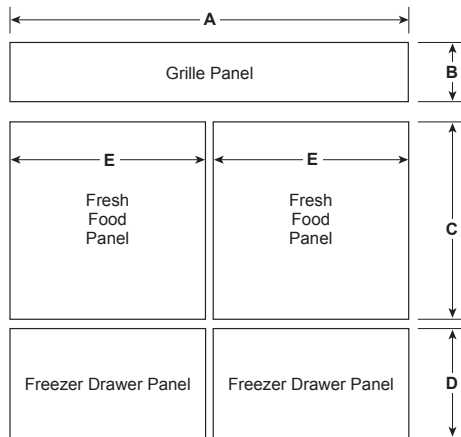
- Fresh food door panel – 58 lbs.
- Freezer drawer panel – 28 lbs.
- Grille panel – 25 lbs.

Order ZKBFN720NII unification kit for an integrated appearance on 2 custom panel models installed side-by-side.

PANEL DIMENSIONS

	A	B	C	D	E
1/4" Framed Panel	69 7/8"	8 7/8"	46 1/16"	21 7/8"	33 7/8"

STANDARD 3/4" OVERLAY PANEL DIMENSIONS DUAL INSTALLATION

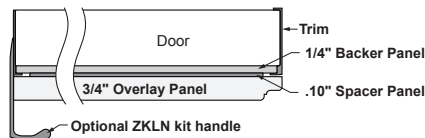


PANEL DIMENSIONS

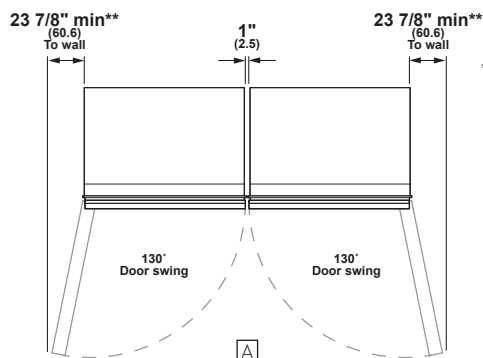
	1/4" Backer Panel	.10" Spacer Panel	3/4" Overlay Panel
A	69 7/8"	68 1/2"	70 1/8"
B	8 7/8"	7 5/8"	9"
C	46 1/16"	44 11/16"	46 5/16"
D	21 7/8"	20 1/2"	22"
E	33 7/8"	32 1/2"	34 1/8"

.25" + .10" + .75" = 1.10" Total Panel Thickness

PANEL ASSEMBLY CROSS SECTION



DUAL PRODUCT CLEARANCES



** Dimensions based on custom height of 2 9/16" (6.5)

STANDARD INSTALLATION

HELPFUL TIPS

3/4" OVERLAY PANELS:

The decorative panels slide into the trim. The overlay panel must be secured to a 1/4"-thick backer panel which slides into the trim. A spacer panel 0.10" thick must be placed between the overlay and backer panels. Center each panel over the other. Assemble the panels with glue and screws. Screws must be countersunk into the backer panel.

NOTE: Left-to-right offset is not always equal to top-to-bottom offset.

MAXIMUM TOTAL PANEL WEIGHT:

- Fresh food door panel – 58 lbs.
- Freezer drawer panel – 28 lbs.
- Grille panel – 25 lbs.

Order ZKBFN720NII unification kit for an integrated appearance on 2 custom panel models installed side-by-side.

DOOR HANDLES:

Door handles not included. Custom handles supplied by your cabinet maker may be used.

Optional visor handle kit ZKLN available.

A In a side-by-side installation of a left-and-right-hand door swing product, 1" clearance between the units is required.



SPECIFICATIONS

Overall Width	38" (96.5 cm) ^t
Overall Height	84 1/2" (214.6 cm) ^t
Overall Depth	25 15/16" (65.9 cm) ^t
Door Clearance	38 3/4" (98.4 cm)
Cutout Width	39" (99.1 cm)
Cutout Height	85" (215.9 cm)
Cutout Depth	26 3/16" (66.5 cm)
Plumbing Requirements	1/4" OD copper tubing or GE SmartConnect kit
Shipping Weight	640 lb (290 kg)

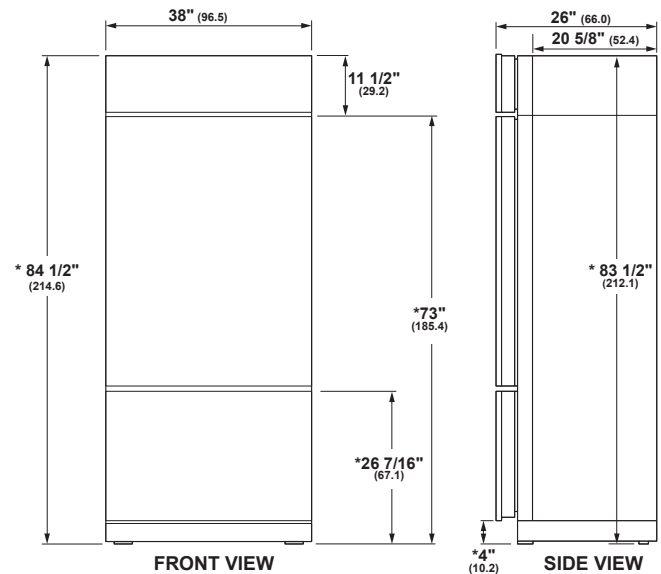
^t Dimensions include 3/4" custom cabinet panel

ATTENTION ELECTRICIAN:

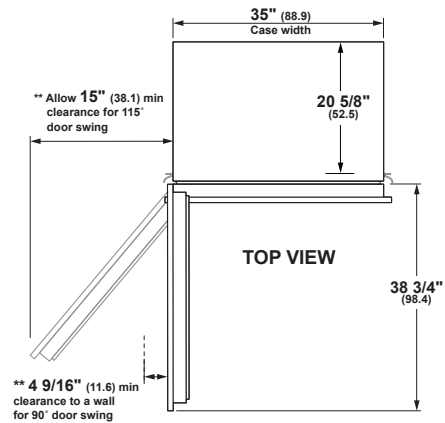
A 115 volt 60Hz., 15 or 20 amp power supply is required. An individual properly grounded branch circuit or circuit breaker is recommended. Install a properly grounded 3-prong electrical receptacle recessed into the back wall.

OVERALL DIMENSIONS AFTER PANEL INSTALL

FLUSH INSET INSTALLATION



* Shipping height. Use leveling legs and wheels for maximum 1" height adjustment from shipping height. Nominal installation height is 84"

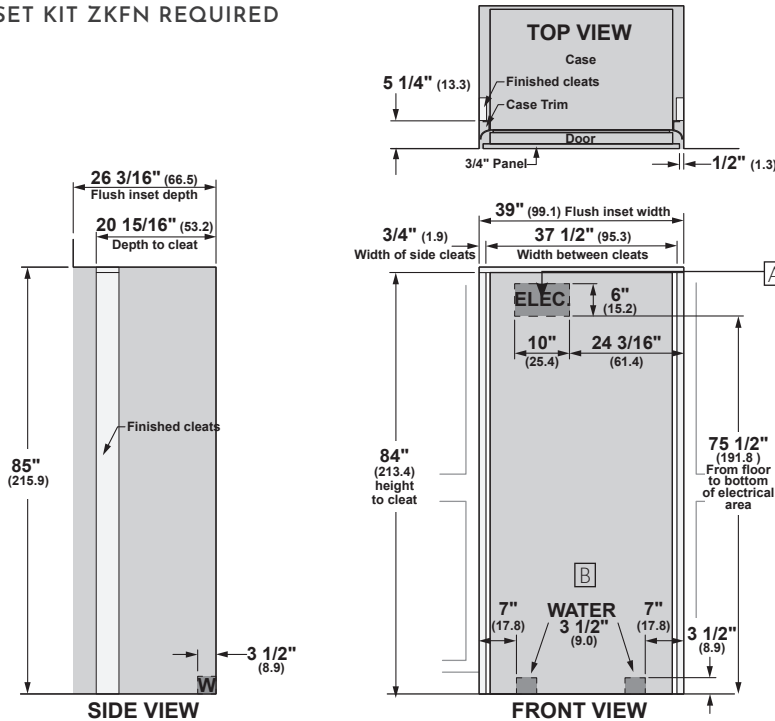


** Dimensions based on custom handle height of 2 9/16" (6.5).

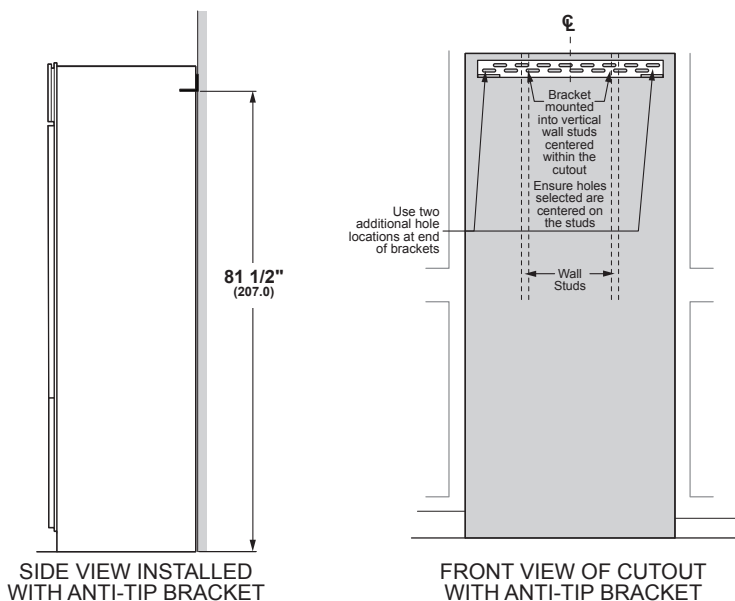
Dimensions in parentheses are in centimeters unless otherwise noted. Actual product dimensions may vary due to manufacturing tolerances.

FLUSH INSET INSTALLATION 3/4" PANELS

FLUSH INSET KIT ZKFN REQUIRED



ANTI-TIP BRACKET



FLUSH INSET INSTALLATION

HELPFUL TIPS

- A** Mounting the junction box in this location will also allow for front accessibility through access panel.
- B** Water supply area.

⚠ WARNING:

The refrigerator is top heavy and must be secured to prevent the possibility of tipping forward. Failure to do so may result in death or serious injury.

The information below is for cabinet design only. When installing the anti-tip system you must use the product installation instructions.

The information below applies to all installation constructions:

- A wall bracket, bolts and toggles will be supplied with the unit.
- The bolts will be used to attach bracket to wall in 4 locations. Two of the locations must penetrate the center of the wall studs.
- The toggles are used for stability in drywall and when metal studs are encountered. Lag bolts are used in wood studs.
- In installation opening, measure 82" from floor and draw a horizontal line.
- Locate and mark the wall studs on horizontal line. Verify at least two studs have their centerlines within the center 32-1/2" of installation opening to ensure 2 wall studs are penetrated.
- The bracket will be centered left to right in opening with bottom of bracket on the horizontal line.
- When unit is placed in opening, the bracket tabs will align with openings in back of the unit. The unit will be secured to the bracket using supplied "L" bolts.

See Installation Instructions for detailed instructions.

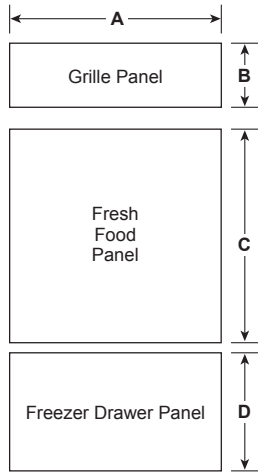
⚠ WARNING:

Door Trim Pinch Point Hazard



Improper installation can lead to a finger pinch point hazard between the side door trim and the cabinets when operating the door, especially with children. To minimize this risk you must follow the installation instructions for cabinet dimensions, trim assembly and door stop angle.

FLUSH INSET 3/4" PANEL DIMENSIONS SINGLE INSTALLATION



PANEL DIMENSIONS

A	B	C	D
38"	10 11/16"	46 9/16"	22 7/16"

FLUSH INSET INSTALLATION

HELPFUL TIPS

Trimmed refrigerators are designed to be customized with decorative panels. Field-installed 1/2" or 3/4" custom door, drawer and grille panels are required. For 3/4" raised panels, routing is required. The router depth is 1/4" all the way around the panel's backs. Additional panel width reductions are required per the diagrams shown. This will create "picture frame" routing allowing the panels to slide into the attached door, drawer and grille trims.

MAXIMUM TOTAL PANEL WEIGHT:

- Fresh food door panels – 58 lbs.
- Freezer drawer panel – 28 lbs.
- Grille panel – 11 lbs

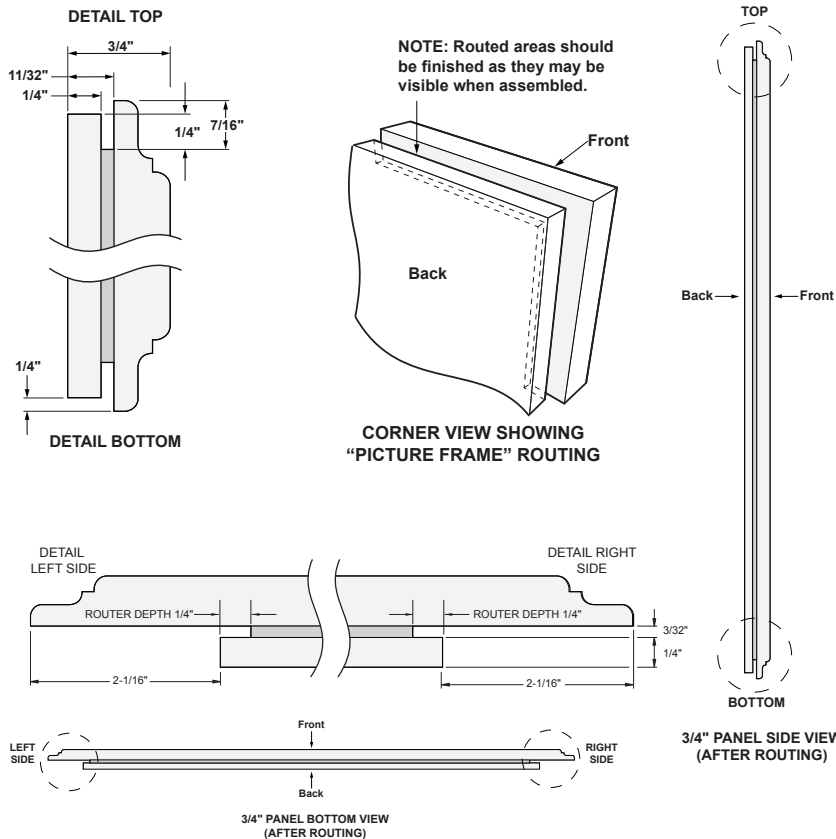
NOTE: For panels constructed with rails and stiles (5-panel), the rails must be a minimum of 3" wide and stiles must be a minimum of 4" wide.

DOOR HANDLES

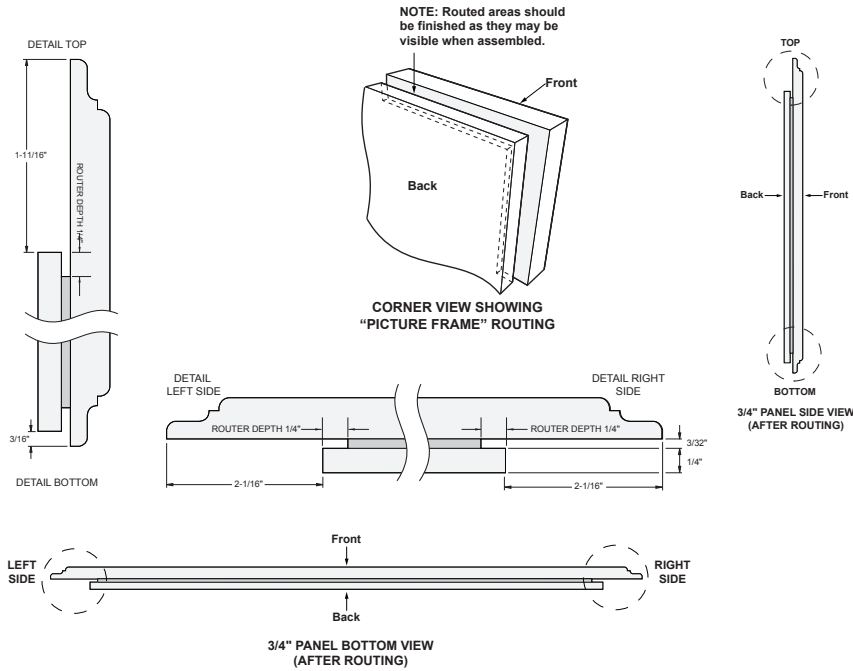
Door handles not included. Custom handles supplied by your cabinet maker may be used.

Order ZKBFN720NII unification kit for an integrated appearance on 2 custom panel models installed side-by-side.

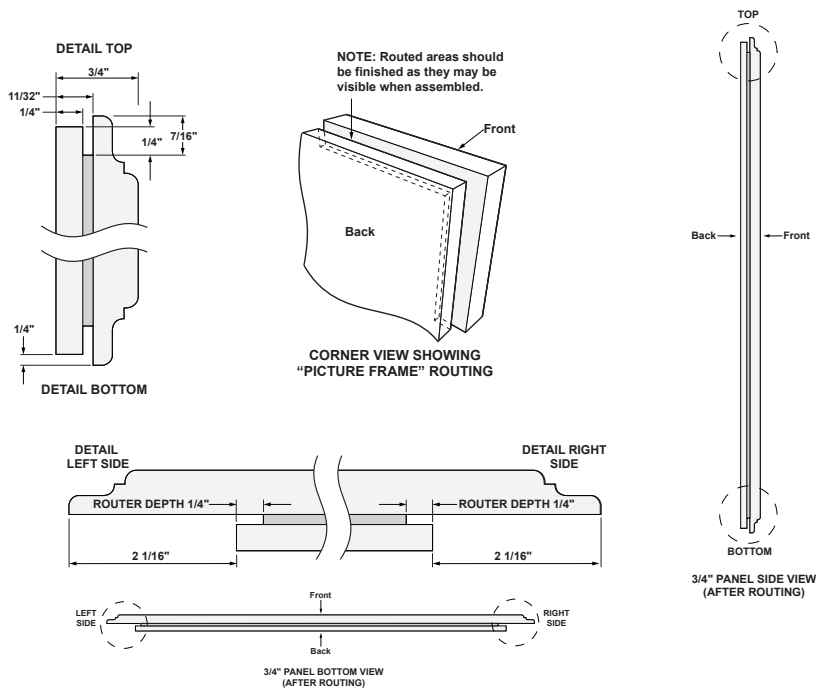
3/4" RAISED DOOR PANEL ROUTING



3/4" RAISED GRILL PANEL ROUTING



3/4" RAISED DRAWER PANEL ROUTING



FLUSH INSET INSTALLATION

HELPFUL TIPS

Trimmed refrigerators are designed to be customized with decorative panels. Field-installed 1/2" or 3/4" custom door, drawer and grille panels are required. For 3/4" raised panels, routing is required. The router depth is 1/4" all the way around the panel's backs. Additional panel width reductions are required per the diagrams shown. This will create "picture frame" routing allowing the panels to slide into the attached door, drawer and grille trims.

MAXIMUM TOTAL PANEL WEIGHT:

- Fresh food door panels – 58 lbs.
- Freezer drawer panel – 28 lbs.
- Grille panel – 11 lbs

NOTE: For panels constructed with rails and stiles (5-panel), the rails must be a minimum of 3" wide and stiles must be a minimum of 4" wide.

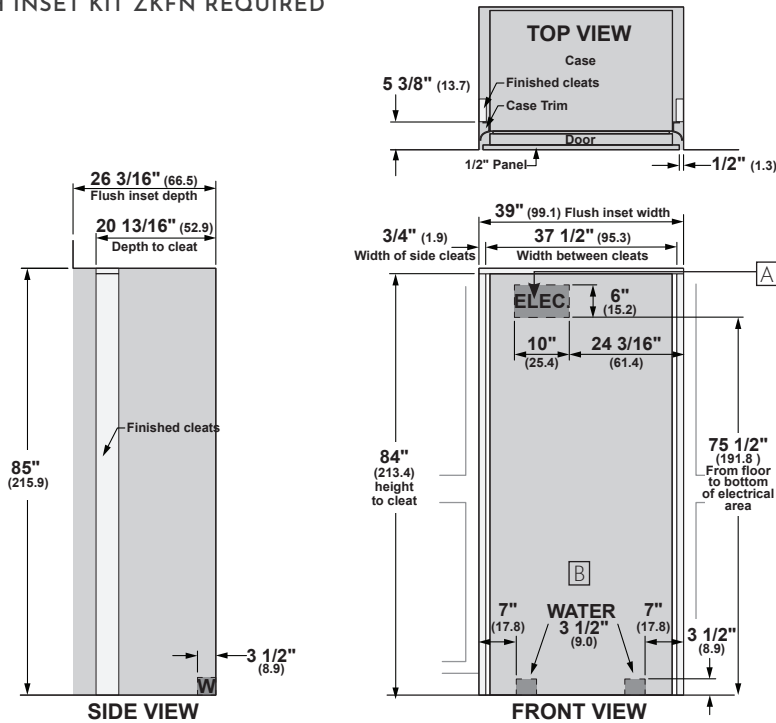
DOOR HANDLES

Door handles not included. Custom handles supplied by your cabinet maker may be used.

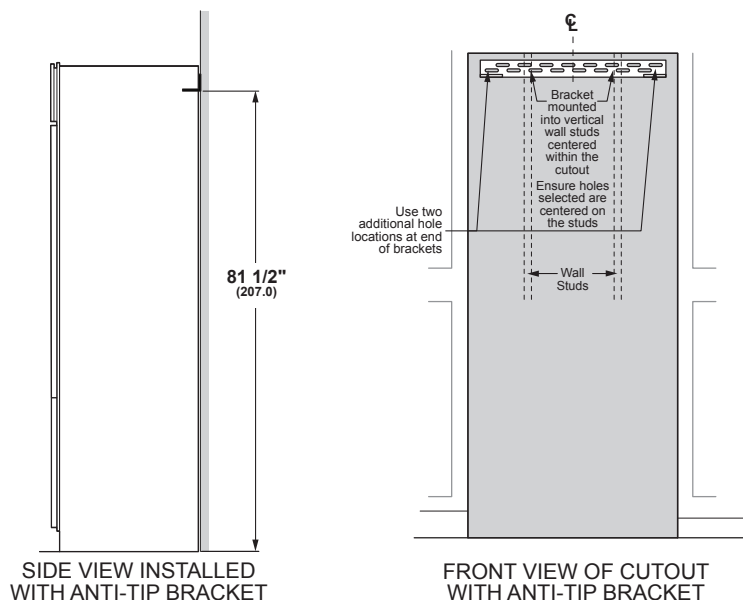
Order ZKBFN720NII unification kit for an integrated appearance on 2 custom panel models installed side-by-side.

FLUSH INSET INSTALLATION 1/2" PANELS

FLUSH INSET KIT ZKFN REQUIRED



ANTI-TIP BRACKET



FLUSH INSET INSTALLATION

HELPFUL TIPS

A Mounting the junction box in this location will also allow for front accessibility through access panel.

B Water supply area.

⚠ WARNING:

The refrigerator is top heavy and must be secured to prevent the possibility of tipping forward. Failure to do so may result in death or serious injury.

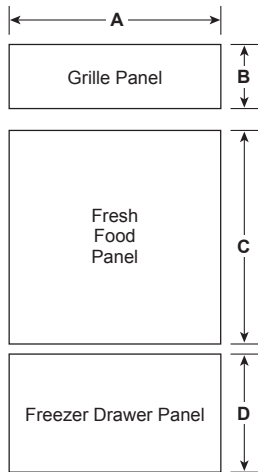
The information below is for cabinet design only. When installing the anti-tip system you must use the product installation instructions.

The information below applies to all installation constructions:

- A wall bracket, bolts and toggles will be supplied with the unit.
- The bolts will be used to attach bracket to wall in 4 locations. Two of the locations must penetrate the center of the wall studs.
- The toggles are used for stability in drywall and when metal studs are encountered. Lag bolts are used in wood studs.
- In installation opening, measure 82" from floor and draw a horizontal line.
- Locate and mark the wall studs on horizontal line. Verify at least two studs have their centerlines within the center 32-1/2" of installation opening to ensure 2 wall studs are penetrated.
- The bracket will be centered left to right in opening with bottom of bracket on the horizontal line.
- When unit is placed in opening, the bracket tabs will align with openings in back of the unit. The unit will be secured to the bracket using supplied "L" bolts.

See Installation Instructions for detailed instructions.

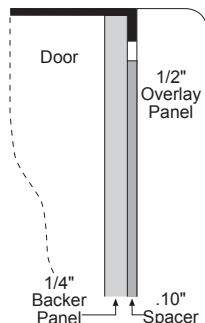
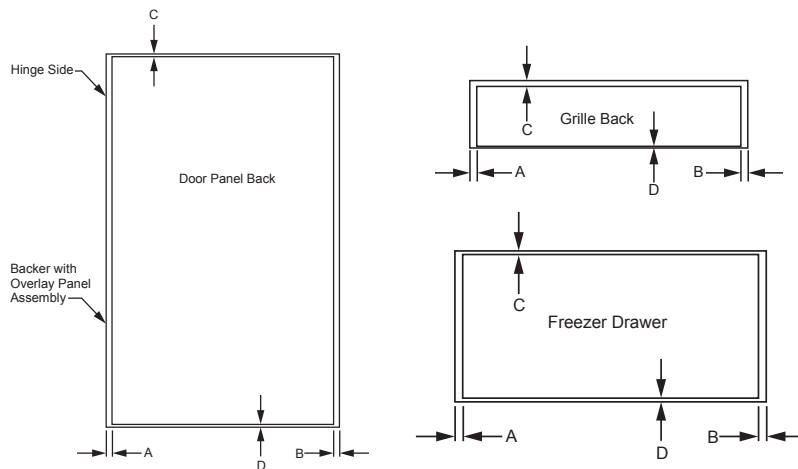
FLUSH INSET 1/2" PANEL DIMENSIONS



PANEL DIMENSIONS

	A	B	C	D
1/4" Backer Panel	33 7/8"	8 7/8"	46 1/16"	21 7/8"
.10" Spacer Panel	32 1/2"	7 5/8"	44 11/16"	20 1/2"
1/2" Overlay Panel	38"	10 11/16"	46 9/16"	22 7/16"

1/2" OVERLAY PANEL ROUTING DIMENSIONS



PANEL DIMENSIONS

	A	B	C	D
Fresh Food Panel	2 1/16"	2 1/16"	5/16"	3/16"
Freezer Panel	2 1/16"	2 1/16"	5/16"	3/16"
Grille Panel	2 1/16"	2 1/16"	1 11/16"	3/16"

FLUSH INSET INSTALLATION

HELPFUL TIPS

The 1/2" overlay panel must be secured to a .10" spacer panel and a 1/4" thick backer panel, which slides into the trim.

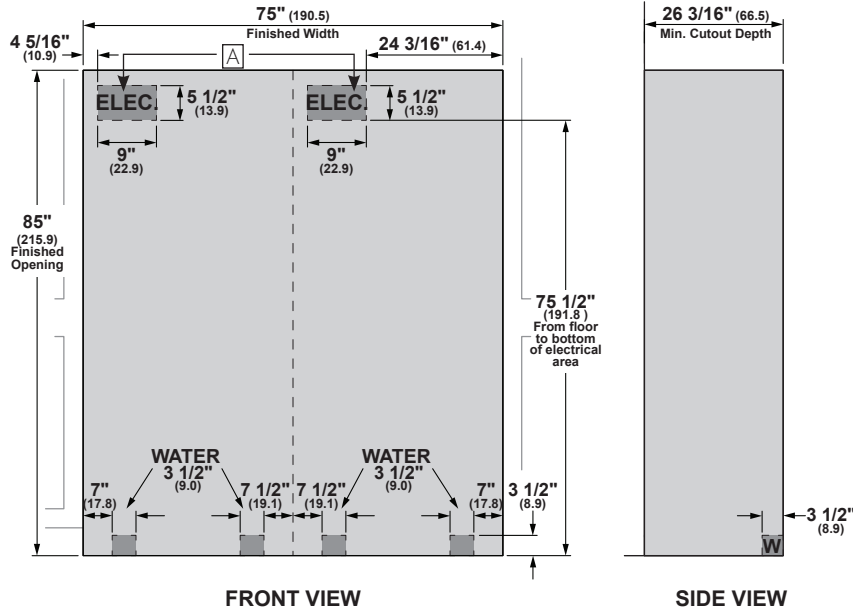
ASSEMBLE THE PANELS WITH GLUE AND SCREWS:

- Center the spacer panel on the backer panel, left to right and top to bottom. Secure the panels with glue.
- Refer to the chart for locating the backer panel to the overlay panel. Secure the overlay panel to the backer panel with glue and screws. Screws must be countersunk into the backer panel

Order ZKBFN720NII unification kit for an integrated appearance on 2 custom panel models installed side-by-side.

NOTE: For panels constructed with rails and stiles (5-panel), the rails must be a minimum of 3" wide and stiles must be a minimum of 4" wide.

3/4" OR 1/2" DUAL INSTALLATIONS



FLUSH INSET INSTALLATION

HELPFUL TIPS

Trimmed refrigerators are designed to be customized with decorative panels. Field-installed 1/2" or 3/4" custom door, drawer and grille panels are required. For 3/4" raised panels, routing is required. The router depth is 1/4" all the way around the panel's backs. Additional panel width reductions are required per the diagrams shown. This will create "picture frame" routing allowing the panels to slide into the attached door, drawer and grille trims.

A A separate 115V, 60Hz, 15- or 20-amp power supply is recommended for each product.

MAXIMUM TOTAL PANEL WEIGHT:

- Fresh food door panels – 58 lbs.
- Freezer drawer panel – 28 lbs.
- Unified grille panel – 25 lbs

DOOR HANDLES

Door handles not included. Custom handles supplied by your cabinet maker may be used.

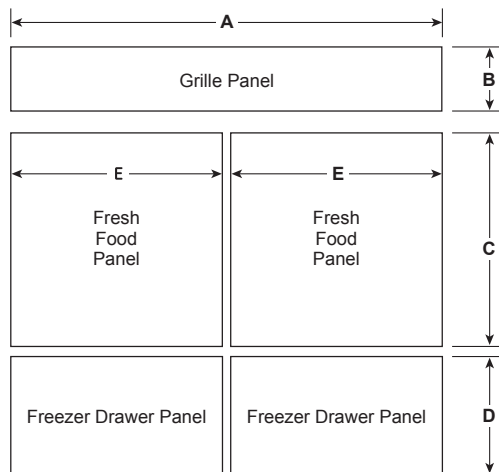
Order ZKBFN720NII unification kit for an integrated appearance on 2 custom panel models installed side-by-side.

The 1/2" overlay panel must be secured to a .10" spacer panel and a 1/4" thick backer panel, which slides into the trim.

ASSEMBLE THE PANELS WITH GLUE AND SCREWS:

- Center the spacer panel on the backer panel, left to right and top to bottom. Secure the panels with glue.
- Refer to the chart for locating the backer panel to the overlay panel. Secure the overlay panel to the backer panel with glue and screws. Screws must be countersunk into the backer panel

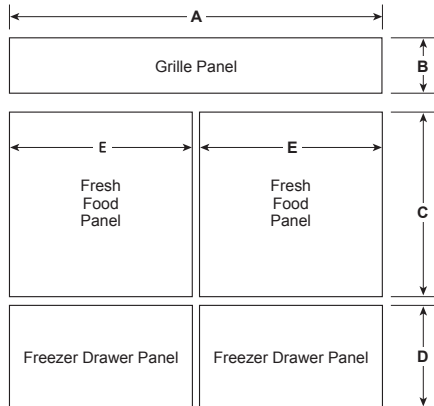
FLUSH INSET 1/2" PANEL DIMENSIONS DUAL INSTALLATION



PANEL DIMENSIONS

	A	B	C	D	E
1/4" Backer Panel	69 7/8"	8 7/8"	46 1/16"	21 7/8"	33 7/8"
.10" Space Panel	68 1/2"	7 5/8"	44 11/16"	20 1/2"	32 1/2"
1/2" Overlay Panel	74 1/2"	10 11/16"	46 9/16"	22 7/16"	36 7/8"

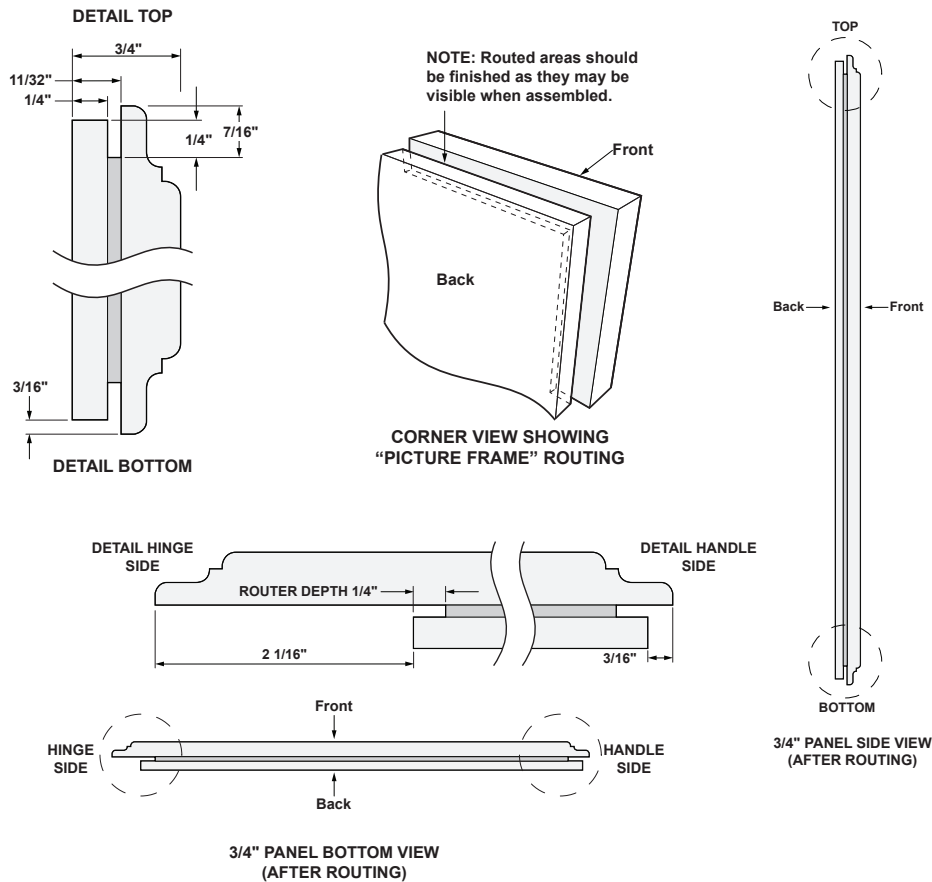
FLUSH INSET 3/4" PANEL DIMENSIONS DUAL INSTALLATION



PANEL DIMENSIONS

A	B	C	D	E
74 1/2"	10 11/16"	46 9/16"	22 7/16"	36 7/8"

3/4" RAISED DOOR AND DRAWER PANEL ROUTING -
(SEE PAGE 11 FOR 3/4" GRILLE PANEL ROUTING DIAGRAMS)



FLUSH INSET INSTALLATION

HELPFUL TIPS

Trimmed refrigerators are designed to be customized with decorative panels. Field-installed 1/2" or 3/4" custom door, drawer and grille panels are required. For 3/4" raised panels, routing is required. The router depth is 1/4" all the way around the panel's backs. Additional panel width reductions are required per the diagrams shown. This will create "picture frame" routing allowing the panels to slide into the attached door, drawer and grille trims.

MAXIMUM TOTAL PANEL WEIGHT:

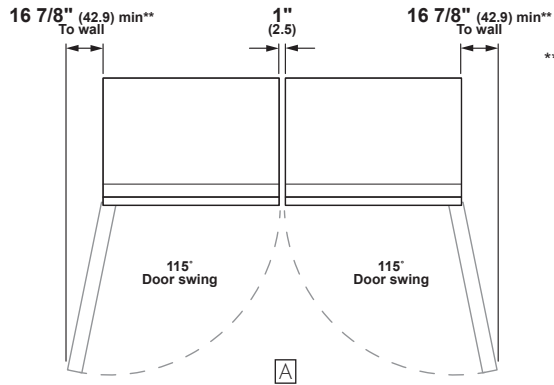
- Fresh food door panels – 58 lbs.
- Freezer drawer panel – 28 lbs.
- Unified grille panel – 25 lbs

DOOR HANDLES

Door handles not included. Custom handles supplied by your cabinet maker may be used.

Order ZKBFN720NII unification kit for an integrated appearance on 2 custom panel models installed side-by-side.

3/4" OR 1/2" DUAL PRODUCT CLEARANCES



** Dimensions based on custom handle height of 2 9/16"

FLUSH INSET INSTALLATION

HELPFUL TIPS

- A In a side-by-side installation of a left-and-right-hand door swing product, 1" clearance between the units is required. Order ZKBFN720NII unification kit for an integrated appearance on 2 custom panel models installed side-by-side.