



INSTALLATION INSTRUCTIONS

with Design Guide **36" Built-In Bottom-Freezer Refrigerators**

Pour obtenir une version française de ce manuel d'instructions,
visitez notre site monogram.com.

Para consultar una versión en español de este manual de instrucciones,
visite nuestro sitio de internet monogram.com.

Safety Information

BEFORE YOU BEGIN

Read these instructions completely and carefully.

- **IMPORTANT** – Save these instructions for local inspector's use. Observe all governing codes and ordinances.
- **Note to Installer** – Be sure to leave these instructions with the Consumer.
- **Note to Consumer** – Keep these instructions with your Owner's Manual for future reference.

If you received a damaged unit, you should immediately contact your dealer or builder.

Skill Level – Installation of this unit requires basic mechanical, carpentry and plumbing skills. Proper installation is the responsibility of the installer. Product failure due to improper installation is not covered under the Monogram Warranty. See the Owner's Manual for warranty information.

WARNING Electrical Shock Hazard.

Plug into a grounded 3-prong outlet.

Do not remove the ground prong.

Do not use an adapter.

Immediately discontinue use of a damaged supply cord.

If the supply cord is damaged it must be replaced by a qualified service professional with an authorized service part from the manufacturer.

Do not use an extension cord with this appliance.

Failure to follow these instructions can result in death, fire, or electrical shock.

Follow the instructions in the section Grounding the unit.

This appliance must be installed with a means in the fixed house wiring or circuit breaker for disconnecting the appliance from the electrical supply after installation.

WARNING Tip Over Hazard.

These appliances are top heavy, especially with any doors open, and must be secured to prevent tipping forward which could result in death or serious injury. Read and follow the entire installation instructions for securing the appliance with the anti-tip system.

WARNING Fire or Explosion Hazard.

Keep flammable materials and vapors away from appliance. Failure to do so can result in fire, explosion, or death.

WARNING To reduce the risk associated with choking, do not allow children under 3 years of age to have access to small parts during the installation of this product.

CAUTION Lifting Hazard

This unit is very heavy. To reduce the risk of person injury during maneuvering and installing this appliance, 3 people are required for proper installation.

CAUTION Keep fingers out of the "pinch point" areas; clearances between the doors and between the doors and cabinet are necessarily small. Be careful closing doors when children are in the area.

For Monogram local service in your area, visit monogram.com

For Monogram service in Canada, visit monogram.ca

For Monogram Parts and Accessories, visit monogram.com/use-and-care/parts

Consignes de sécurité

AVANT DE COMMENCER

Veillez lire toutes ces instructions attentivement.

- **IMPORTANT** – Conservez ces instructions à l'usage de l'inspecteur local. Observez tous les codes et décrets en vigueur.
- **Note à l'installateur** – Assurez-vous de laisser ces instructions au consommateur.
- **Note au consommateur** - Conservez ces instructions avec votre manuel d'utilisation pour consultation ultérieure.

Si vous avez reçu un appareil endommagé, veuillez communiquer immédiatement avec votre revendeur ou votre entrepreneur.

Niveau de compétence – L'installation de cet appareil exige des compétences de base en mécanique, menuiserie et plomberie. La responsabilité d'une installation adéquate relève de l'installateur. La garantie Monogram ne couvre pas les défauts du produit causés par une installation inadéquate. Consultez le manuel d'utilisation pour des renseignements sur la garantie.

⚠ AVERTISSEMENT **Risque d'électrocution.**

Branchez l'appareil dans une prise à 3 broches mise à la terre. N'enlevez pas la broche de mise à la terre. N'utilisez pas un adaptateur.

Cessez immédiatement l'utilisation d'un cordon électrique endommagé. Si le cordon électrique est endommagé, son remplacement doit être exécuté par un technicien en réparation qualifié au moyen d'un cordon de rechange autorisé par le fabricant.

N'utilisez pas un cordon de rallonge avec cet électroménager. Le non-respect de ces instructions peut occasionner un décès, un incendie ou un choc électrique. Suivez les instructions de la section Mise à la terre de l'appareil. Le circuit électrique auquel cet électroménager sera raccordé doit comporter un disjoncteur ou un autre dispositif permettant de couper l'alimentation électrique à l'appareil après l'installation.

⚠ AVERTISSEMENT **Risque de basculement.**

Ces électroménagers sont lourds du haut, notamment lorsqu'une porte est ouverte, de sorte qu'ils doivent être fixés pour prévenir un basculement vers l'avant susceptible d'occasionner des blessures graves ou la mort. Lisez et observez la totalité des instructions d'installation pour connaître la façon de fixer l'électroménager sur le dispositif antibasculement.

⚠ AVERTISSEMENT **Risque d'incendie ou d'explosion.**

Gardez les matériaux et les vapeurs inflammables à l'écart de l'appareil. L'omission de prendre cette précaution peut entraîner un incendie, une explosion ou la mort.

⚠ AVERTISSEMENT Pour réduire le risque d'étouffement pendant l'installation de ce produit, ne pas laisser les petites pièces à la portée des enfants âgés de moins de 3 ans.

⚠ AVERTISSEMENT **Risque lié à la manipulation d'un objet lourd**

Cet appareil est très lourd. Afin de réduire le risque de blessure pendant la manipulation et l'installation de cet électroménager, la participation de 3 personnes est nécessaire à l'exécution d'une installation correcte.

⚠ AVERTISSEMENT Gardez vos doigts éloignés des points de pincement. Les espaces entre les portes et ceux entre les portes et l'armoire sont particulièrement restreints. Soyez prudent lorsque vous fermez les portes en présence d'enfants.

Pour joindre le service Monogram de votre région, visitez monogram.com

Pour le service Monogram au Canada, visitez monogram.ca

Pour le service des Pièces et accessoires Monogram, visitez monogram.com/use-and-care/parts.

Información sobre Seguridad

ANTES DE COMENZAR

Lea estas instrucciones en su totalidad y atentamente.

- **IMPORTANTE** – Conserve estas instrucciones para uso del inspector local. Cumpla con todos los códigos y ordenanzas gubernamentales.
- **Nota para el Instalador** – Asegúrese de entregarle estas instrucciones al Comprador.
- **Nota para el Consumidor** – Guarde estas instrucciones con su Manual del Propietario para referencia futura.

Si la unidad que recibió está dañada, se deberá comunicar de inmediato con su vendedor o fabricante.

Nivel de habilidad – La instalación de esta unidad requiere un nivel básico de habilidades mecánicas, de carpintería y plomería. La correcta instalación del producto es responsabilidad del instalador. Si se producen fallas en el producto debido a una instalación inadecuada, la Garantía de Monogram no cubrirá las mismas. Para obtener información sobre la garantía, consulte el Manual del Propietario.

⚠ ADVERTENCIA **Riesgo de Descarga Eléctrica**

Enchufe en un tomacorriente con conexión a tierra de 3 cables.

No elimine el cable de conexión a tierra.

No use un adaptador.

Inmediatamente interrumpa el uso de un cable de suministro de corriente dañado. Si el cable de corriente se encuentra dañado, su reemplazo deberá ser realizado por un profesional calificado del servicio técnico, utilizando una pieza del servicio técnico autorizada por el fabricante.

No use prolongadores con este electrodoméstico.

Si no se siguen estas instrucciones, se podrá producir la muerte, incendios o descargas eléctricas.

Siga las instrucciones que figuran en la sección de Conexión de Tierra de la unidad.

Este electrodoméstico deberá ser instalado por algún medio en el cableado fijo del hogar o en un disyuntor para desconectar el electrodoméstico del suministro eléctrico luego de la instalación.

⚠ ADVERTENCIA **Riesgo de Caídas**

Estos electrodomésticos son inestables, especialmente cuando una puerta se encuentre abierta, y deben estar asegurados a fin de evitar caídas hacia adelante que podrían resultar en la muerte o en lesiones graves. Lea y siga las instrucciones de instalación en su totalidad para asegurar el electrodoméstico con el sistema anti volcaduras.

⚠ ADVERTENCIA **Peligro de Incendio o Explosión**

Mantenga cualquier material y vapores inflamables alejados del electrodoméstico. Si no se cumple con esto, se podrá producir una explosión, un incendio o la muerte.

⚠ ADVERTENCIA A fin de reducir el riesgo asociado con descargas, no permita que los niños menores de 3 años de edad tengan acceso a las partes pequeñas durante la instalación de este producto.

⚠ PRECAUCIÓN **Riesgo al levantar la puerta**

Este refrigerador es muy pesado. A fin de reducir el riesgo de lesiones personales durante la maniobra e instalación de este refrigerador, se requiere contar con 3 personas para una correcta instalación del modelo de 36" de ancho y con 4 personas para una correcta instalación del modelo de 42" o 48".

⚠ PRECAUCIÓN Mantenga los dedos fuera de los espacios de "riesgo de lastimaduras"; los espacios entre las puertas y entre las puertas y el gabinete son necesariamente pequeños. Tenga el cuidado de cerrar las puertas cuando se encuentren niños en el área.

Para acceder al servicio local de Monogram en su área, visite monogram.com

Para acceder al servicio de Monogram en Canadá, visite monogram.ca

Para acceder a Piezas y Accesorios de Monogram, visite monogram.com/use-and-care/parts

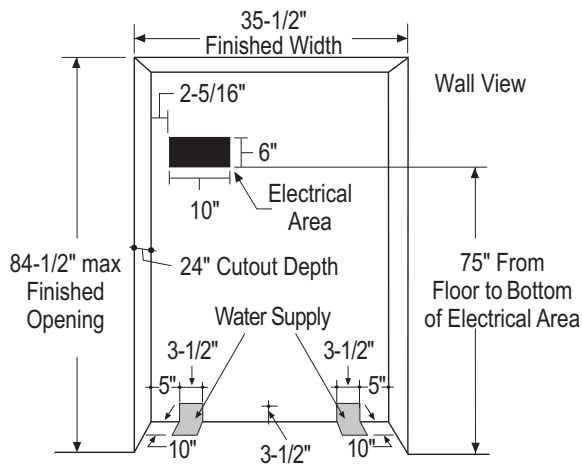
Contents

Safety	2	Instructions for Flush Installation	23
Instructions for Standard Installation	6	Instructions for Stainless Steel Installation	24
Planning Guide		Planning Guide	
The Installation Space	7	The Installation Space	25
Dimensions and Clearances	7	Dimensions and Clearances	25
Dual Installation	7	Customization Basics	26
Customization Basics	8	Side Panels	26
Refrigerator Location	8	Optional Accessory Kits	26
Optional Accessory Kits	8	Refrigerator Location	26
1/4" Framed Panel Dimensions	9	130° Door Swing	27
3/4" Overlay Panel Dimensions	9	Installation Instructions	
Side Panels	10	Tools, Hardware, Materials	28
ZKBFN720NII Grille Panel Dimensions	10	Grounding the Refrigerator	28
130° Door Swing	11	Step 1. Remove Packaging	29
Installation Instructions		Step 2. Install Water Line	30
Tools, Hardware, Materials	12	Step 2A. Water Line with Reverse	
Grounding the Unit	12	Osmosis System or other household	
Step 1. Remove Packaging	13	filtration system	31
Step 2. Install Water Line	14	Step 3. Install Side Panels	31
Step 2A. Water Line with Reverse Osmosis System		Step 4. Anti-Tip Procedure	31
or other household filtration system	15	Step 5. Level Refrigerator	33
Step 3. Install Side Panels	15	Step 6. Secure Unit to Wall	33
Step 4. Anti-Tip Procedures	15	Step 7. Alternate Anti-Tip Procedure	34
Step 5. Level Unit	17	Step 8. Adjust Door Swing	34
Step 6. Secure Unit to Wall	17	Step 9. Connect Water Supply	35
Step 7. Alternate Anti-Tip Procedure	18	Step 10. Connect Power	35
Step 8. Adjust Door Swing	18	Step 11. Start Icemaker	36
Step 9. Install Grille Panel	19	Step 12. Install Toekick	36
Step 10. Install 1/4" Framed Panels	19		
Step 10A. Install Overlay Panels	20		
Step 11. Connect Water Supply	21		
Step 12. Connect Power	21		
Step 13. Start Icemaker	22		
Step 14. Install Toekick	22		

Instructions for Standard Installation

Design Guide - Standard Installation

THE INSTALLATION SPACE



Water And Electrical Locations

Electrical and water supply must be located as shown.

The Cutout Depth Must Be 24" (60.96 cm)

The refrigerator will project forward, slightly beyond adjacent cabinetry, depending on your installation. Allow minimum 1/8" (0.32 cm) air gap between case back & wall.

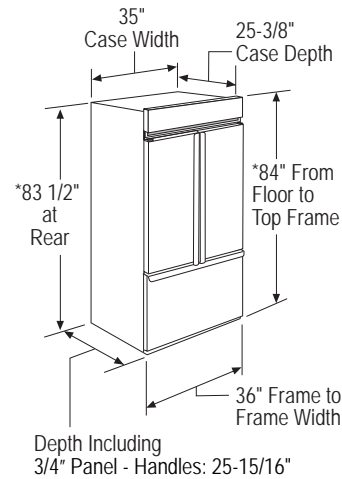
Cutout depth beneath a soffit:

When installed beneath a soffit, the soffit cannot exceed the 24" (60.96 cm) installation depth shown. The top case trim overlaps the bottom of the soffit.

Additional Specifications

- A 115 volt 60Hz., 15 or 20 amp power supply is required. An individual properly grounded branch circuit or circuit breaker is recommended. Install a properly grounded 3-prong electrical receptacle recessed into the back wall. Electrical must be located on rear wall as shown.
- Water line can enter the opening through the floor or back wall. Route SmartConnect™ kit or 1/4" O.D. copper tubing between the cold water line and the water connection location. The tubing should be long enough to extend to the front of the refrigerator. Installation of an easily accessible shut-off valve in the water line is required.

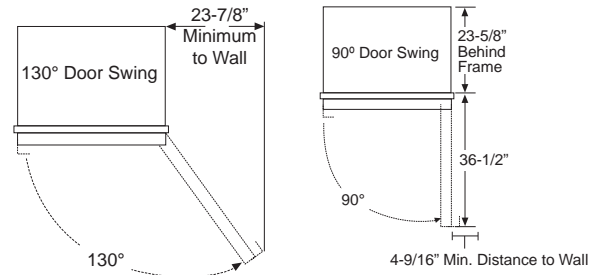
DIMENSIONS AND CLEARANCES



* Shipping height. The refrigerator can be adjusted to fit into a cutout that is 84-1/2" (214.63 cm) max. height. Note that the top case trim at the front is 1/2" (1.27 cm) higher and will overlap upper cabinetry or soffit. Use leveling legs and wheels for a maximum 1" (2.54 cm) height adjustment.

Product Clearances

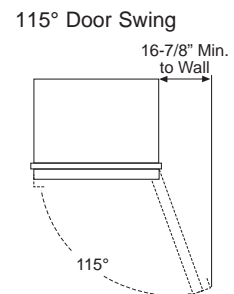
These refrigerators are equipped with a 3-position door stop. The factory set 115° door swing can be adjusted to 90° if clearance to adjacent cabinets or walls is restricted.



Allow 23 7/8" (60.64 cm) minimum clearance for a full 130° door swing. Allow 15" (38.1 cm) for pan removal.

For a 90° door swing, allow 4 9/16" min. (11.59 cm) clearance to a wall. If the 90° door stop position is used, pan access is maintained, but pan removal is restricted.

See illustration on page 11 to determine door swing interaction with adjacent cabinets or countertops.



For Dual Installation

- If you are installing two refrigerators, side by side, the installation space must be 71-1/2" (181.61 cm) wide.

NOTE: Additional cutout width may be required when side panels are used. Add side panel thickness to the finished cutout to calculate rough-in width.

- The water and electrical locations for each product must be located as shown.
- A separate 115V, 60Hz., 15 or 20 amp power supply is recommended for each product.

Design Guide - Standard Installation

CUSTOMIZATION BASICS: Framed Or Overlay Panels, Custom Handles and Accessory Kits

These refrigerators are designed to be customized with decorative panels. Field installed custom door and grille panels are required.

Side Panels

Side panels must be used whenever the sides of the refrigerator will be exposed.

REFRIGERATOR LOCATION

- Do not install the refrigerator where the temperature will go below 55°F (13°C). It will not run often enough to maintain proper temperatures.
- Do not install the refrigerator where temperatures will go above 100°F (37°C). It will not perform properly.
- Do not install the refrigerator in a location exposed to water (rain, etc.) or direct sunlight.
- Install it on a floor strong enough to support it fully loaded.

OPTIONAL ACCESSORY KITS

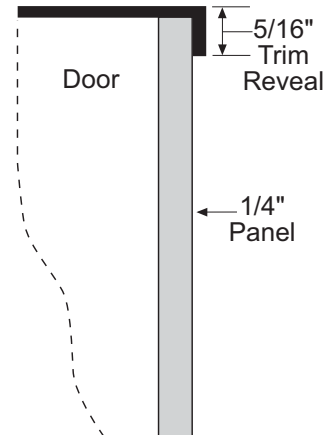
- **ZKBSN720SS:** Unification kit for an integrated appearance on 2 stainless steel models installed side-by-side.
- **ZKBFN720NII:** Unification kit for an intergraded appearance on 2 custom panel models installed side-by-side.
- **ZKLN:** Visor handle kit for use on custom panel models in a standard installation. Kit includes two handles.
- **ZKFN:** Flush inset installation kit required for all flush installations. Includes modified toe kicks, case trim, and other required components.

Design Guide - Standard Installation

1/4" (0.63 cm) FRAMED PANEL DIMENSIONS

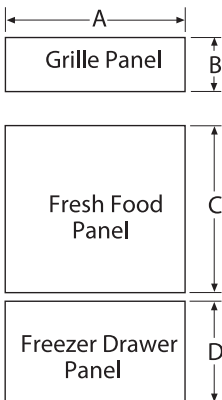
If you choose to install framed panels, they must be cut to the dimensions shown. The panels will slide into the frame on the door, drawer and grille.

If the custom panel is less than 1/4" thick and if it fits loosely in the door frame, it can be backed up with a piece of filler material or foam tape to improve the fit.



IMPORTANT NOTE: Maximum total panel weight:

- Fresh food door panel – 58 lbs. (26.31 kg)
- Freezer drawer panel – 28 lbs. (12.70 kg)
- Grille Panel – 11 lbs. (4.99 kg)



Framed Panel Dimensions				
	A (Width)	B (Grille Height)	C (FF Height)	D (FZ Height)
1/4" (0.63 cm) Framed Panel	33-7/8" (86.04 cm)	8-7/8" (22.54 cm)	46-1/16" (101.76 cm)	21-7/8" (55.56 cm)

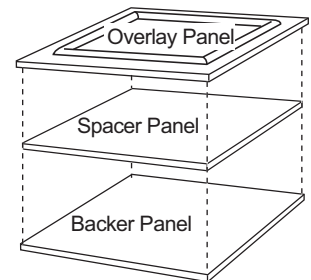
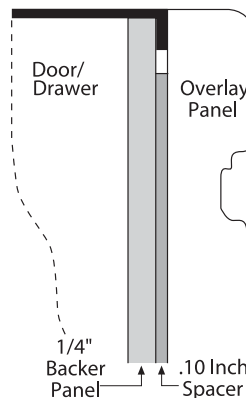
Overlay Panel Dimensions				
	A (Width)	B (Grille Height)	C (FF Height)	D (FZ Height)
1/4" (0.63 cm) Backer Panel	33-7/8" (86.04 cm)	8-7/8" (22.54 cm)	46-1/16" (116.99 cm)	21-7/8" (55.56 cm)
0.10" (0.25 cm) Spacer Panel	32-1/2" (82.55 cm)	7-5/8" (20 cm)	44-11/16" (113.51 cm)	20-1/2" (52.07 cm)
3/4" (1.9 cm) Overlay Panel	34-1/8" (96.67 cm)	9" (22.86 cm)	46-5/16" (117.63 cm)	22" (55.88 cm)

3/4" OVERLAY PANEL DIMENSIONS

For a more custom appearance, overlay panels may be installed on trimmed models. The overlay panel must be secured to a 1/4" (0.63 cm) thick backer panel which slides into the trim. A spacer panel 0.10" (0.25 cm) thick must be placed between the overlay and backer panel.

Assemble the panels with glue and screws.

- Center the spacer panel on the backer panel, left to right and top to bottom. Secure the panels with glue.
- Center the spacer and backer panel on the overlay panel and secure with glue and screws. Screws must be countersunk into the backer panel.



- IMPORTANT NOTE:** Maximum total weight for the assembled panels:
- Fresh food door panel – 58 lbs. (26 kg)
 - Freezer drawer panel – 28 lbs. (13 kg)
 - Grille Panel – 11 lbs. (5 kg)

NOTE: Left-to-right offset is not always equal to top-to-bottom offset.

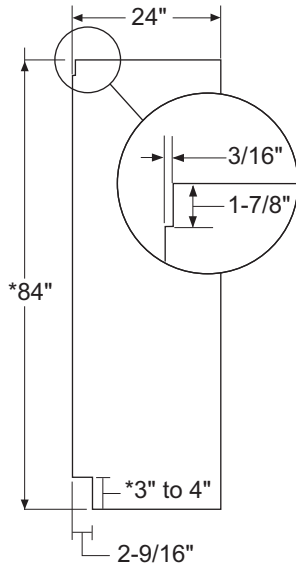
Design Guide - Standard Installation

SIDE PANELS

Side panels must be used whenever the sides of the refrigerator will be exposed. The 1/4" (0.63 cm) side panels will slip into the side case trim. Secure the panels to the refrigerator with stick-on hook and loop fastener strips. Order the side panels from the cabinet manufacturer.

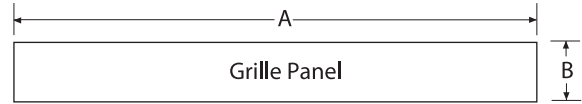
- Cut a notch in the top front corner as shown to allow clearance for corner keys in the front side trim.

* Depending on installation height.



ZKBFN720NII GRILLE PANEL DIMENSIONS

The ZKBFN720NII unification kit provides for the installation of a framed or overlay grille panel.



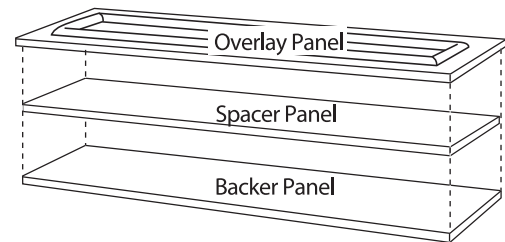
Framed Panel Dimensions

1/4" (0.63 cm)	A (Width)	B (Height)
Framed Panel	69-7/8" (177.48 cm)	8-7/8" (22.54 cm)

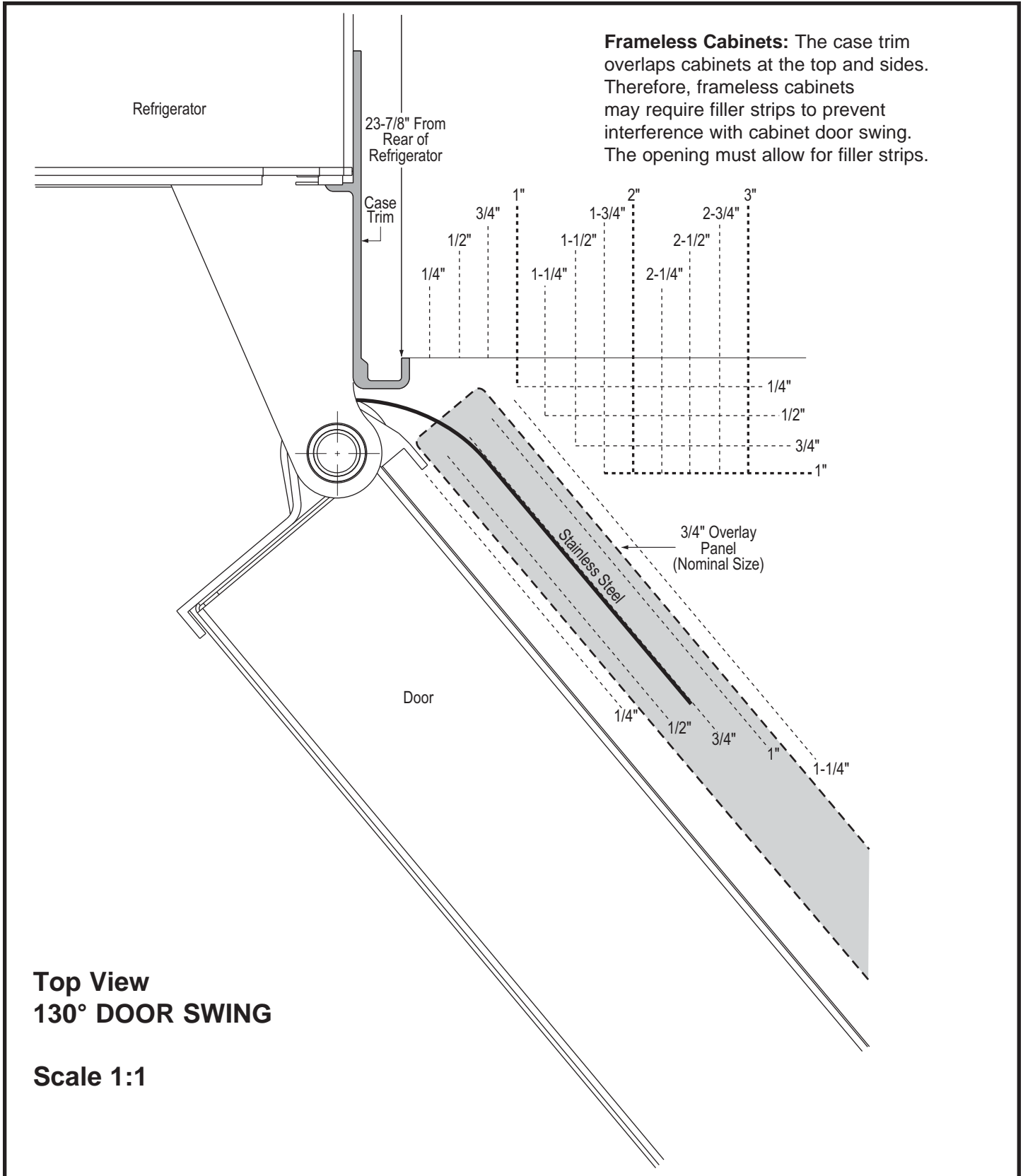
Overlay Panel Dimensions

1/4" (0.63 cm)	A (Width)	B (Height)
Backer Panel	69-7/8" (177.48 cm)	8-7/8" (22.54 cm)
0.10" (0.25 cm)	68-1/2" (97.79 cm)	7-5/8" (20 cm)
Spacer Panel		
3/4" (1.9 cm)	70-1/8" (178.12 cm)	9" (22.86 cm)
Overlay Panel		

Assemble the overlay panels in the same manner as the door and drawer panels.



Design Guide - Standard Installation



**Top View
130° DOOR SWING**

Scale 1:1

Installation Instructions - Standard Installation

TOOLS REQUIRED

- Tinsnips to cut banding
- Stepladder
- Bucket
- Level
- Appliance Hand Truck
- Tubing cutter
- 7/16" open-end wrench
- #2 Phillips screwdriver
- Drill and appropriate bits
- 5/16", 7/16" socket
- Safety glasses
- 1-1/4" open end wrench
- Pliers
- 1/4" ratchet

HARDWARE SUPPLIED

- Water filter bypass plug
- Anti-Tip brackets
- 1/4" nut and ferrule

MATERIALS REQUIRED

- 35" long 2x4 for Anti-Tip support
- 1/4" copper water line tubing or SmartConnect™ Refrigerator Tubing kits
- Water shut-off valve
- Custom panels for fresh food door, freezer drawer and grille panel
- Screws to secure refrigerator to cabinetry.
- Stick-on hook and loop fastener strips for 1/4" (0.63 cm) side panels

FLOORING

For proper installation, this refrigerator must be placed on a level surface of hard material that is at the same height as the rest of the flooring. This surface should be strong enough to support a fully loaded refrigerator, or approximately 1,200 lbs. (544.31 kg).

NOTE: Protect the finish of the flooring. Cut a large section of the cardboard carton and place under the refrigerator where you are working.

GROUNDING THE REFRIGERATOR

⚠ WARNING  **Electrical Shock Hazard.**

Failure to follow these instructions can result in death, fire, or electrical shock.

The power cord of this appliance is equipped with a 3-prong (grounding) plug which mates with a standard 3-prong (grounding) wall receptacle to minimize the possibility of electric shock hazard from this appliance.

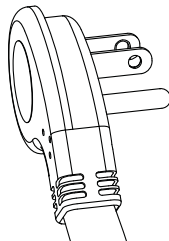
Have the wall outlet and circuit checked by a qualified electrician to make sure the outlet is properly grounded.

Where a standard 2-prong wall outlet is encountered, it is your personal responsibility and obligation to have it replaced with a properly grounded 3-prong wall outlet.

DO NOT, UNDER ANY CIRCUMSTANCES, CUT OR REMOVE THE THIRD (GROUND) PRONG FROM THE POWER CORD.

DO NOT USE AN ADAPTER PLUG TO CONNECT THE REFRIGERATOR TO A 2-PRONG OUTLET.

DO NOT USE AN EXTENSION CORD WITH THIS APPLIANCE.



MISE À LA TERRE DU RÉFRIGÉRATEUR

⚠ AVERTISSEMENT  **Risque de choc électrique.**

Le non-respect de ces instructions peut entraîner des risques d'incendies, des chocs électriques ou la mort.

Le cordon d'alimentation de cet appareil est équipé d'une fiche à trois broches (pour une mise à la terre) qui s'adapte à la prise de courant standard à 3 broches (pour une mise à la terre) pour minimiser les risques de chocs électriques par cet appareil.

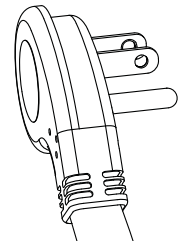
Faites vérifier la prise murale et le circuit électrique par un électricien qualifié pour s'assurer que le système est correctement mis à la terre.

Dans le cas d'une prise biphasee, l'installateur a la responsabilité et l'obligation de la remplacer par une prise triphasée correctement mise à la terre.

NE COUPEZ PAS OU N'ENLEVEZ PAS, SOUS AUCUN PRÉTEXTE, LA TROISIÈME BROCHE DE MISE À LA TERRE DU CORDON D'ALIMENTATION.

N'UTILISEZ PAS D'ADAPTATEUR POUR BRANCHER LE RÉFRIGÉRATEUR À UNE PRISE BIPHASÉE.

N'UTILISEZ PAS DE RALLONGE AVEC CET APPAREIL.



Installation Instructions - Standard Installation

CONEXIÓN A TIERRA DEL REFRIGERADOR

⚠ ADVERTENCIA



Riesgo de Descarga

Eléctrica

Si no se siguen estas instrucciones, se podrá producir la muerte, incendios o descargas eléctricas.

El cable de corriente de este electrodoméstico cuenta con un enchufe de 3 cables (conexión a tierra) que se conecta a un tomacorriente de pared estándar de 3 cables (conexión a tierra) para minimizar el riesgo de posibles descargas eléctricas por parte del mismo.

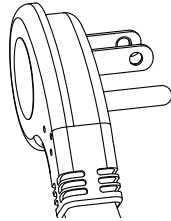
Contrate a un electricista calificado para que controle el tomacorriente y el circuito eléctrico, a fin de asegurar que el enchufe esté correctamente conectado a tierra.

En caso de contar con un tomacorriente de pared de 2 cables, es su responsabilidad y obligación reemplazarlo por un tomacorriente de pared de 3 cables correctamente conectado a tierra.

NUNCA, BAJO NINGUNA CIRCUNSTANCIA, CORTE NI ELIMINE EL TERCER CABLE (TIERRA) DEL CABLE DE CORRIENTE.

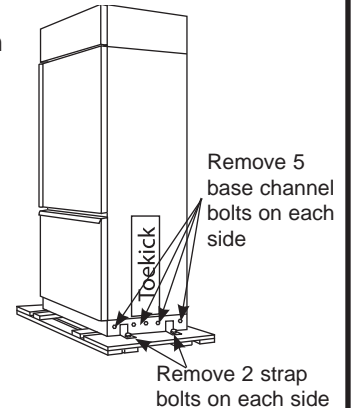
NO USE UN ENCHUFE ADAPTADOR PARA CONECTAR EL REFRIGERADOR A UN TOMACORRIENTE DE 2 PATAS.

NO USE UN PROLONGADOR CON ESTE ELECTRODOMÉSTICO.



STEP 1 REMOVE PACKAGING (Cont.)

- The unit is secured to the skid with 4 slotted tie-down straps. Remove the six 7/16" bolts from the base channels in the tie-downs.
- Remove the six 7/16" bolts securing the straps to the skid.



NOTE: DO NOT ATTEMPT TO ROLL UNIT OFF SKID.

- The support blocks on the bottom of the refrigeration case must be removed before the refrigerator is taken off the skid or damage will occur. Carefully tilt the refrigerator and slide the blocks out from beneath.
- Remove the toekick and set aside for final installation.
- Lift the refrigerator off the skid with an appliance dolly. Handle from the sides.

STEP 1 REMOVE PACKAGING

⚠ WARNING



Tip Over Hazard.

The refrigerator is much heavier at the top than at the bottom—be careful when moving. When using a hand truck, handle from the side only.

⚠ AVERTISSEMENT



Risque de

basculement Le réfrigérateur est beaucoup plus lourd en haut qu'en bas. Il faut être prudent lors des déplacements. Si un diable est utilisé, il faut soulever le réfrigérateur sur le côté seulement.

⚠ ADVERTENCIA



Riesgo de Caídas

El refrigerador es mucho más pesado en su parte superior que en su parte inferior – tenga cuidado al moverlo. Al usar un carro manual, sosténgalo de costado únicamente.

- Carefully cut banding at the top and bottom, remove the outer carton.
- Slide out the back corner posts (2).
- Slide the carton off the top of the cabinet.

NOTE: IT IS NOT NECESSARY TO LAY THE CABINET DOWN IN ORDER TO REMOVE THE SKID!

Installation Instructions - Standard Installation

STEP 2 INSTALL WATER LINE

⚠ WARNING Connect to potable water supply only. A cold water supply is required for automatic icemaker operation. The water pressure must be between 40 and 120 psi (275-827 kilopascals).

⚠ WARNING  **ELECTRIC SHOCK HAZARD**

Attach tubing clamp using existing hole only. DO NOT drill into the refrigerator.

⚠ AVERTISSEMENT Raccordez l'appareil à une alimentation d'eau potable seulement. Une alimentation d'eau froide est requise pour faire fonctionner la machine à glaçons et le pichet à remplissage automatique. La pression d'eau doit se situer entre 40 et 120 psi. (275 à 827 kPa).

⚠ AVERTISSEMENT  **RISQUE DE DÉCHARGE ÉLECTRIQUE**

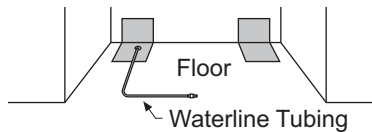
Fixez le collier de serrage dans le trou présent seulement. NE PERCEZ PAS dans le réfrigérateur.

⚠ ADVERTENCIA Realice la conexión a un suministro de agua potable únicamente. Se requiere un suministro de agua fría para el funcionamiento de la máquina de hielos automática y de la jarra de llenado automático. La presión del agua deberá estar entre 40 y 120 p.s.i. (275 – 827 kPa).

⚠ ADVERTENCIA  **PELIGRO DE DESCARGA ELÉCTRICA**

Adhiera la abrazadera de la tubería usando el agujero existente únicamente. NO perforo el refrigerador.

- A cold water supply is required for automatic icemaker operation. The water pressure must be between 40 and 120 p.s.i. (275-827 kPa).
- Route 1/4" OD copper or SmartConnect™ plastic tubing between house cold water line and the water connection location.
- Tubing should be long enough to extend to the front of the refrigerator. Allow enough tubing to accommodate bend leading into the water line connection.



STEP 2 INSTALL WATER LINE (Cont.)

NOTE: The only Monogram-approved plastic tubing is supplied in the SmartConnect™ Refrigerator Tubing kits. Do not use any other plastic water supply line because the line is under pressure at all times. Other types of plastic may crack or rupture with age and cause water damage to your home.

SmartConnect™ Refrigerator Tubing Kits are available in the following lengths:

2' (.6 m) - WX08X10002 8' (2.4 m) - WX08X10006
15' (4.6 m) - WX08X1 0015 25' (7.6 m) - WX08X10025

Shut off the main water supply.

Turn on the nearest faucet long enough to clear the line of water.

- Install a shut-off valve between the icemaker water valve and cold water pipe in a basement or cabinet. The shut-off valve should be located where it will be easily accessible.
- Turn on the main water supply and flush debris. Run about a quart of water through the tubing into a bucket. Shut off water supply at the shut-off valve.

NOTE: Saddle type shut-off valves are included in many water supply kits, but are not recommended for this application.

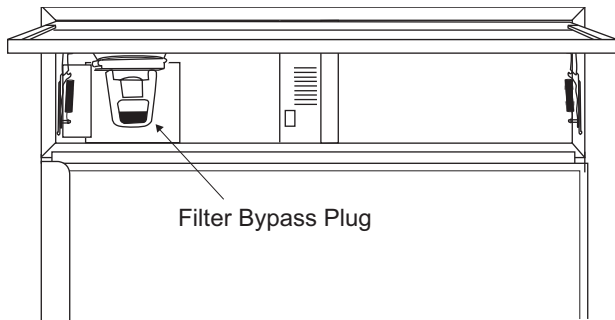
NOTE: Commonwealth of Massachusetts Plumbing Codes 248CMR shall be adhered to. Saddle valves are illegal and use is not permitted in Massachusetts. Consult with your licensed plumber.

Installation Instructions - Standard Installation

STEP 2A WATER LINE INSTALLATION WITH A REVERSE OSMOSIS SYSTEM OR OTHER HOUSEHOLD FILTRATION SYSTEM

Skip this step when not using an RO System or other household filtration system

If the water supply to the refrigerator is from a household filtration system, use the refrigerator's filter bypass plug. Using the refrigerator's water filtration cartridge with the RO filter can result in hollow ice cubes.



STEP 3 INSTALL SIDE PANELS

Skip this step when not using side panels. If you are using 1/4" (0.63 cm) side panels, they should be inserted into the case trim. Fasten the panels to the refrigerator with stick-on hook and loop fastener strips before setting refrigerator in place.

STEP 4 ANTI-TIP PROCEDURE

⚠ WARNING



Tip Over Hazard.

These refrigerators are top heavy, especially with any doors open, and must be secured to prevent tipping forward which could result in death or serious injury. Read and follow the entire installation instructions for securing the refrigerator with the anti-tip system.

⚠ AVERTISSEMENT



Risque de

basculement Ces réfrigérateurs présentent une partie supérieure lourde, en particulier avec une porte ouverte; ils doivent donc être fixés pour prévenir le basculement vers l'avant et le risque concomitant de blessure grave ou fatale. Lisez et suivez les instructions d'installation complètes pour l'installation du système anti-basculement.

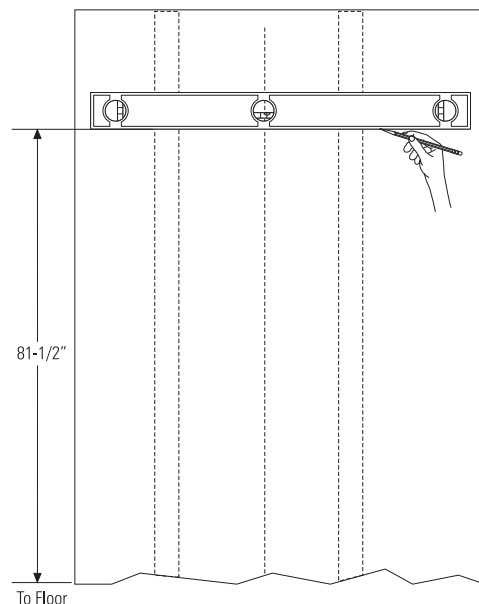
⚠ ADVERTENCIA



Riesgo de Caídas

Estos refrigeradores son inestables, especialmente cuando una puerta se encuentre abierta, y deberán estar asegurados a fin de evitar caídas hacia adelante que podrían resultar en la muerte o en lesiones graves. Lea y siga las instrucciones de instalación en su totalidad para asegurar el refrigerador con el sistema anti volcaduras.

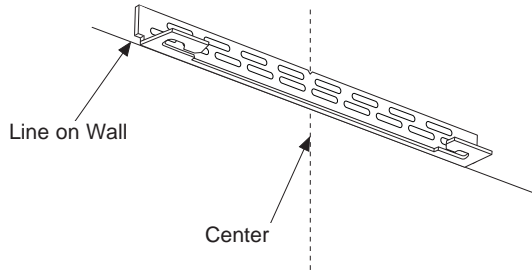
- The kit supplied with the unit contains 2 lag bolts and 4 toggles with bolts. The wall bracket will be attached to the wall in 4 places.
- Measure the opening where the unit is to be installed. Mark the center with a vertical line.



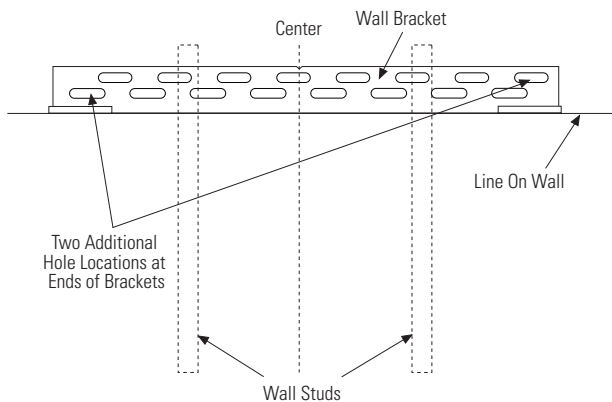
Installation Instructions - Standard Installation

STEP 4 ANTI-TIP PROCEDURE (CONT)

- Measure up 81 1/2" (207.01 cm) from the floor. Mark this point on the wall.
- Using a level, draw a horizontal line on the wall at this height.
- Locate at least 2 studs on the back wall. Mark these points on the horizontal line.
- Place the bottom of the wall bracket with tabs on the horizontal line. Align the center notch on the bracket with the center line on the wall.



- The anti-tip wall bracket has a series of holes. Select 2 holes that match with the located studs. Make sure the holes selected are on the center of the studs. Mark the wall at these points.
- Mark an additional hole at each end of the bracket. If one of the studs is closer to the end of the bracket, mark an additional hole towards the center of the bracket.

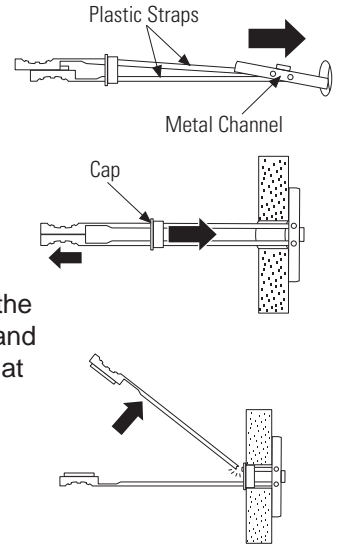


- Drill 1/2" (1.27 cm) holes into the wall board at the locations marked for the toggles to be mounted (not the stud markings).
- Drill 3/16" (0.47 cm) holes into wooden studs where marked. If steel stud construction, drill 1/2" holes into the studs where marked. You will use 2 toggles with the metal studs.

Install Wall Toggles:

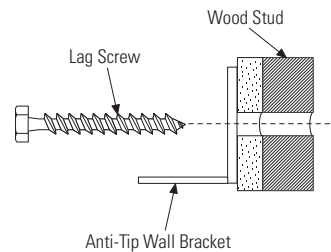
The wall toggles and bolts can be ordered as Service Kit #WR49X10193. Wall toggles are installed in the drywall and metal studs for stability. Install the wall toggles as follows:

- Drill 1/2" (1.27 cm) holes at the wall markings made in the holes at the ends of the wall bracket.
- Hold the metal channel flat against the plastic straps and slide the channel through the hole.
- Gently pull back at the ends of the plastic straps to make the channel rest flush behind the wall.
- Hold the ends of the straps in one hand and slide the plastic cap along the straps until the flange of the cap is flush with the wall.
- Place your thumb between the plastic straps and bend up and down to snap the straps off at the wall.

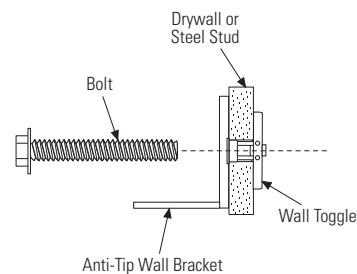


Install Screws and Bolts:

- Have someone hold the wall bracket centered in place with each of the holes aligned with the correct opening in the bracket and level with the horizontal line.
- Insert the lag screws through the bracket and into the stud. Tighten with a wrench.



- Insert the bolts into the toggle by hand until snug. Tighten with a wrench.



Installation Instructions - Standard Installation

STEP 4 ANTI-TIP PROCEDURE (Cont)

CONNECT POWER CORD:

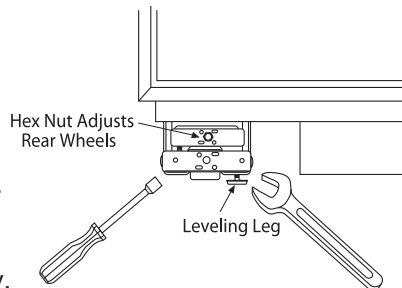
- Before pushing the refrigerator into the opening, plug the power cord into the receptacle. Open the grille panel on the left and reach into the opening at the back to grasp the power cord. Pull the power cord into the opening as you push the refrigerator back.
- Gently push refrigerator into the opening with hands against front corners.

IMPORTANT: When the refrigerator is installed under a soffit or if there is not enough height for this method of security, brackets cannot be used. Proceed to step 6 to level the refrigerator and then to step 8 to secure refrigerator to cabinets. See step 9 if you have metal wall studs. The refrigerator must be secured to prevent tipping.

STEP 5 LEVEL REFRIGERATOR

All models have 4-point leveling. The front is supported by leveling legs, the rear is supported by adjustable wheels. Both are accessible from the front of the refrigerator.

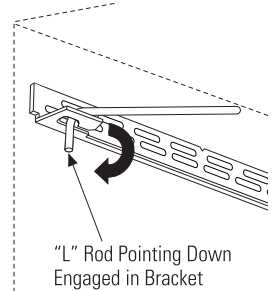
- To level the back of the refrigerator, turn the 7/16" hex nut located above the front wheels. Turn clockwise to raise or counterclockwise to lower the refrigerator.
- For front leveling, use a 1-1/4" (3.175 cm) open-end wrench.
- Adjust height of refrigerator to match installation cutout opening 83-1/2" (212.09 cm) to 84-1/2" (214.63 cm). The refrigerator should be level and plumb with cabinetry.



The rear leveling wheels and front leveling legs are limited to a maximum height adjustment of 1". If the installation requires more than 84-1/2" (214.63 cm) height, the installer should elevate the refrigerator on a sheet of plywood or runners. Cabinetry trim could also be added across the top of the opening to shorten the opening. If you attempt to raise the refrigerator more than 1" (2.54 cm), you will damage the front leveling legs and the rear leveling wheels.

STEP 6 SECURE UNIT TO WALL

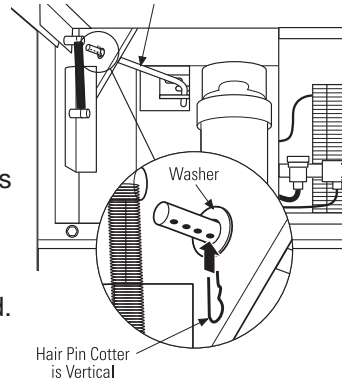
- The "L" rod can be found in the upper left corner of the unit in the access compartment. Look through the access compartment to make sure the rod lines up with the anti-tip bracket.
- There are 2 washers and a hair pin cotter with the rod. Remove the washers and hair pin cotter from the end of the rod.
- Rotate and move the "L" rod into the slot in the anti-tip bracket tab. Once it is in the slot, rotate the "L" rod so the hook portion is pointing down. The holes at the front end of the rod should be in a vertical position.



- Pull out on the end of the rod to make sure it is secure in the bracket.
- Locate the hole on the rod that is closest to the unit. A hair pin cotter will be put through this hole to secure the rod. If this hole appears to be too far away for a snug fit against the unit, add the washers one at a time until the pin will fit tightly into the hole.
- Align the straight section of the pin with the hole from the underside of the rod. Push the pin up until it snaps into position. Pliers may be used.

NOTE: The hair pin cotter must be vertical when this step is completed to ensure the "L" rod is engaged in the bracket.

- Check the rod for tightness by pulling forward. If the rod moves, remove the hair pin cotter and place another washer on the rod. Reinsert the pin.



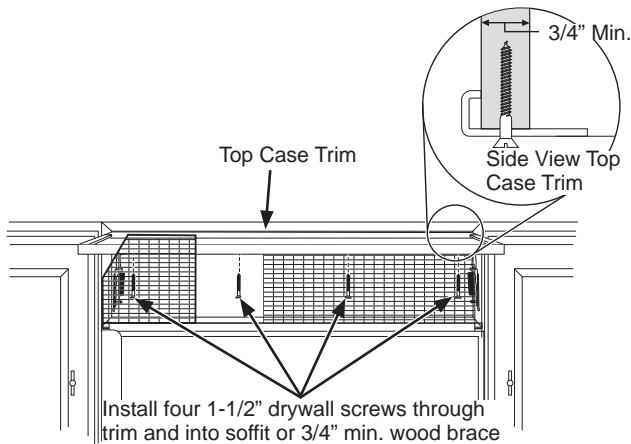
Installation Instructions - Standard Installation

STEP 7 ALTERNATE ANTI-TIP PROCEDURE

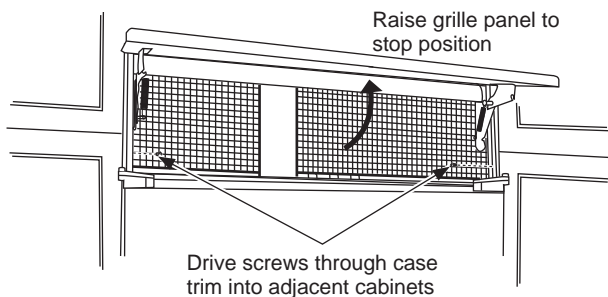
The refrigerator must be secured to prevent tipping.

If the anti-tip bracket cannot be used, this alternate procedure may be used to secure the refrigerator against tip-over

- Raise the grille panel to access case trim.
- Use a 3/16" bit to drill four evenly spaced clearance holes through the metal top case trim.



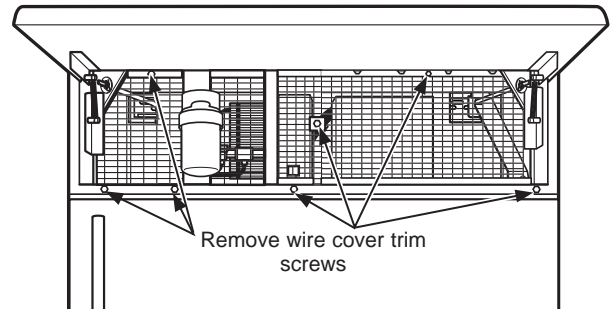
- Use a 1/16" bit to drill to pilot holes through the metal clearance holes and into the wood soffit. The holes should be centered in the soffit or a 3/4" min. wood brace. The brace spanning the enclosure must be securely fastened to cabinets on both sides.
- Install four, 1-1/2" (3.81 cm) drywall screws into the pilot holes.
- If no soffit above the unit, drill screws into adjacent cabinets through the side case trim.



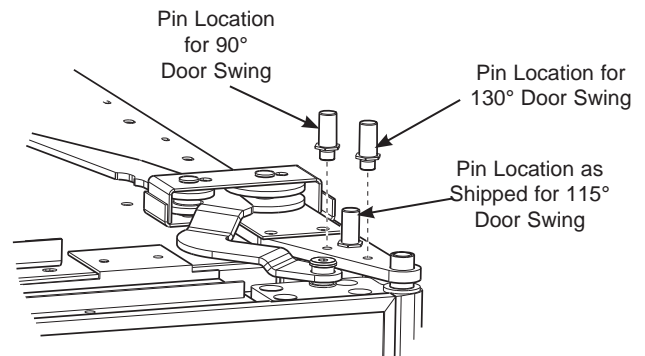
STEP 8 ADJUST DOOR SWING

NOTE: This refrigerator has a 3-position door stop. When space does not allow the door to swing open fully to 115°, you may change the door swing to a 90° opening. A 130° door swing is available for standard installation only. If used for flush installation, damage will occur to wood panels. **Skip this step if door opening is satisfactory for your installation situation.**

- Lift the grille panel to access the wire cover trim.
- Remove screws on both sides of the wire cover trim and rotate off.



- Use pliers to unscrew door stop and reinstall into the 90° or 130° position.

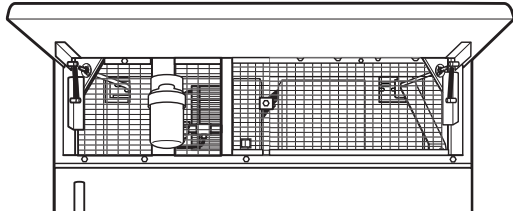


- Reinstall the wire cover trim.

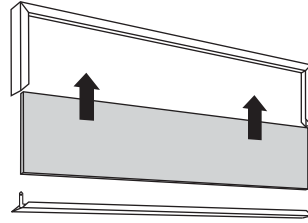
Installation Instructions - Standard Installation

STEP 9 INSTALL GRILLE PANEL

- Raise the access panel to the stop position.



- If necessary, tap with a wood block until the panel slips under the top trim piece.

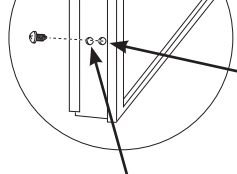
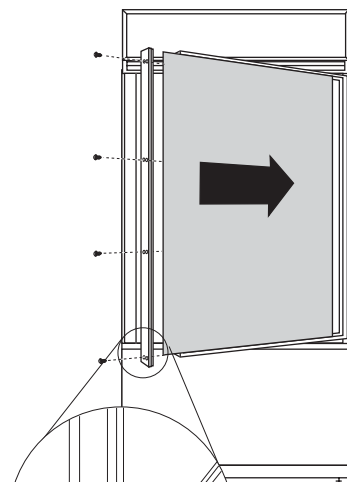


- Loosen the screws on the side trim behind the frame. Remove the bottom trim.
- Slide the panel over the metal baker panel and into the trim.

- Reassemble the bottom trim. Tighten the screws.
- Adjust the hinge spring to accommodate the panel weight, if necessary.

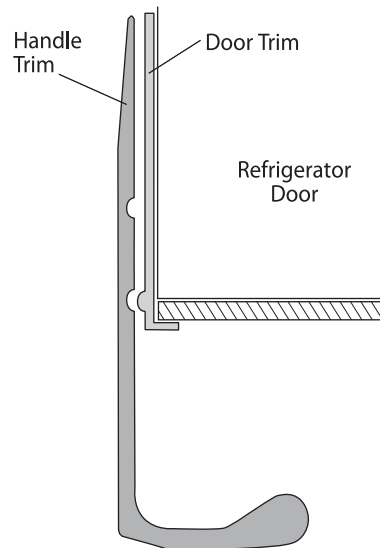
STEP 10 INSTALL 1/4" (0.63 cm) FRAMED PANELS

Right hand models shown. Use the same instructions for left hand models.
IF YOU ARE INSTALLING OVERLAY PANELS, GO TO STEP 10A.

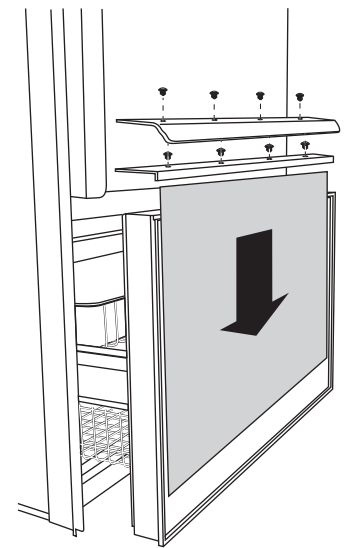


Use front holes to secure trim

Use rear holes to secure optional ZKLN kit handle (not shown)



Optional visor handle shown from kit ZKLN



Install door and drawer panels:

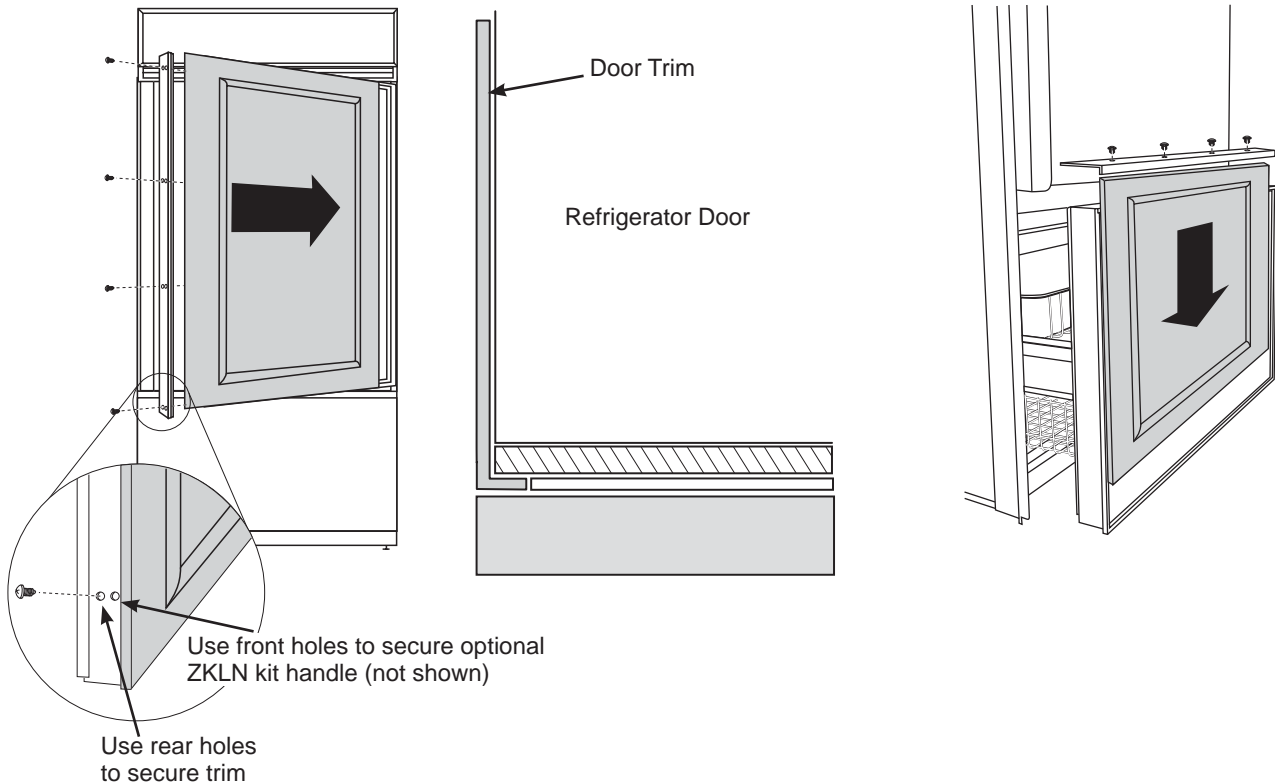
- Open door to 90°.
- Remove 4 screws holding trim, lift off trim. Retain screws.
- Slide framed panel into the door trim.

- There are two sets of holes in the handle side trim. Replace handle side trim by installing the original screws in the FRONT screw holes.
- Follow the same procedures to install the drawer panel.

Installation Instructions - Standard Installation

STEP 10A INSTALL OVERLAY PANELS

Right hand models shown. Use the same instructions for left hand models.



Install door and drawer panels:

- Open door to 90°.
- Remove 4 screws holding trim, lift off trim. Retain screws.
- Slide overlay panel into the door trim.
- There are two sets of holes in the handle side trim. Replace handle side trim by installing the original screws in the REAR screw holes.
- Follow the same procedures to install the drawer panel.

Custom handles


If you are using custom handles, the handle must be properly secured to the panel before sliding the panel into the trim.

- The cabinet manufacturer will supply the custom handle and hardware.
- Secure the door/drawer trim using both the FRONT and REAR screw holes.

Installation Instructions - Standard Installation

STEP 11 CONNECT WATER SUPPLY


⚠ WARNING Connect to potable water supply only. A cold water supply is required for automatic icemaker operation. The water pressure must be between 40 and 120 psi (275-827 kilopascals).

⚠ WARNING  **ELECTRIC SHOCK HAZARD**
Attach tubing clamp using existing hole only. DO NOT drill into the refrigerator.

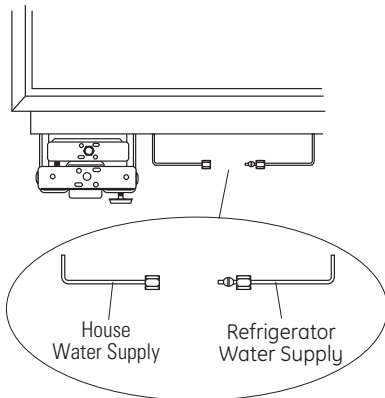
⚠ AVERTISSEMENT **Raccordez l'appareil à une alimentation d'eau potable seulement. Une alimentation d'eau froide est requise pour faire fonctionner la machine à glaçons et le pichet à remplissage automatique. La pression d'eau doit se situer entre 40 et 120 psi. (275 à 827 kPa).**

⚠ AVERTISSEMENT  **RISQUE DE DÉCHARGE ÉLECTRIQUE**
Fixez le collier de serrage dans le trou présent seulement. NE PERCEZ PAS dans le réfrigérateur.

⚠ ADVERTENCIA **Realice la conexión a un suministro de agua potable únicamente. Se requiere un suministro de agua fría para el funcionamiento de la máquina de helos automática y de la jarra de llenado automático. La presión del agua deberá estar entre 40 y 120 p.s.i. (275 – 827 kPa).**

⚠ ADVERTENCIA  **PELIGRO DE DESCARGA ELÉCTRICA**
Adhiera la abrazadera de la tubería usando el agujero existente únicamente. NO perforo el refrigerador.

- Locate and bring tubing to the front of the cabinet.
- Turn the water on to flush debris from line. Run about a quart of water through tubing into a bucket, then shut off water.



Copper Tubing:

- Slip a 1/4" nut and ferrule (provided) over both ends of the copper tubing. Insert tube into the union fitting on the unit and tighten nut to union.
- Turn on the water to check for leaks.

STEP 11 CONNECT WATER SUPPLY (Cont.)

SmartConnect™ Tubing:

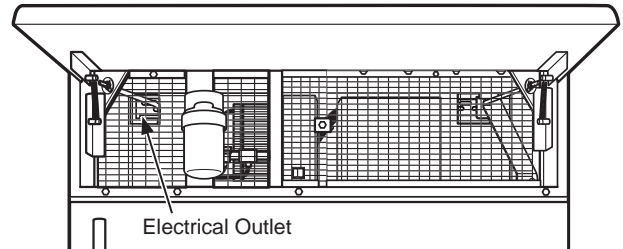
NOTE: The only Monogram-approved plastic tubing is supplied in the SmartConnect™ Refrigerator Tubing kits. Do not use any other plastic water supply line because the line is under pressure at all times. Other types of plastic may crack or rupture with age and cause water damage to your home.

- Insert the molded end of the tubing into the refrigerator connection. Tighten the compression nut until it is just hand tight.
- Tighten one additional turn with a wrench. Overtightening can cause leaks!
- Turn on the water to check for leaks.

NOTE: Make sure excess tubing length does not interfere with drawer closing or toekick installation.

STEP 12 CONNECT POWER

- Check to be sure the power cord is plugged into the receptacle.




- Check to make sure power to refrigerator is on by opening refrigerator door to see if interior lights are on.
- The temperature controls are preset at 37°F (2.78°C) for the fresh food section and 0°F (-17.78°C) for the freezer.
- Allow 24 hours to stabilize before making adjustments.

Installation Instructions - Standard Installation

STEP 13 START ICEMAKER


⚠ WARNING Connect to potable water supply only. A cold water supply is required for automatic icemaker operation. The water pressure must be between 40 and 120 psi (275-827 kilopascals).

⚠ WARNING  **ELECTRIC SHOCK HAZARD**
Attach tubing clamp using existing hole only. DO NOT drill into the refrigerator.

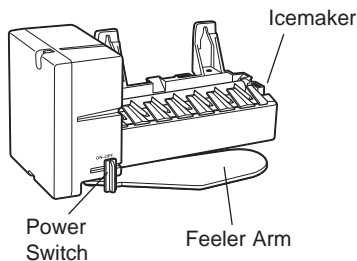
⚠ AVERTISSEMENT **Raccordez l'appareil à une alimentation d'eau potable seulement. Une alimentation d'eau froide est requise pour faire fonctionner la machine à glaçons et le pichet à remplissage automatique. La pression d'eau doit se situer entre 40 et 120 psi. (275 à 827 kPa).**

⚠ AVERTISSEMENT  **RISQUE DE DÉCHARGE ÉLECTRIQUE**
Fixez le collier de serrage dans le trou présent seulement. NE PERCEZ PAS dans le réfrigérateur.

⚠ ADVERTENCIA **Realice la conexión a un suministro de agua potable únicamente. Se requiere un suministro de agua fría para el funcionamiento de la máquina de hielos automática y de la jarra de llenado automático. La presión del agua deberá estar entre 40 y 120 p.s.i. (275 – 827 kPa).**

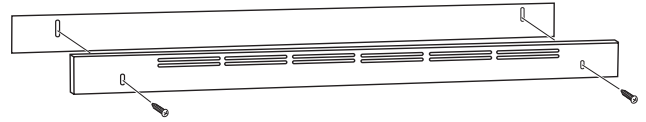
⚠ ADVERTENCIA  **PELIGRO DE DESCARGA ELÉCTRICA**
Adhiera la abrazadera de la tubería usando el agujero existente únicamente. NO perfore el refrigerador.

- The icemaker will begin operation automatically.
- Be sure nothing interferes with the sweep of the feeler arm.
- Discard the first full bucket of ice cubes.
- To turn the icemaker off, slide the switch to O (OFF).



STEP 14 INSTALL TOEKICK

- Locate the supplied toekicks (shipped taped to the side of the refrigerator).
- Install the toekick assembly with the 2 screws provided, adjust to the desired height and tighten the screws.



IMPORTANT: A custom toekick can be installed to match or complement the surrounding cabinetry but can NOT cover the horizontal vent slots of the factory toekick.

Instructions for Flush Installation

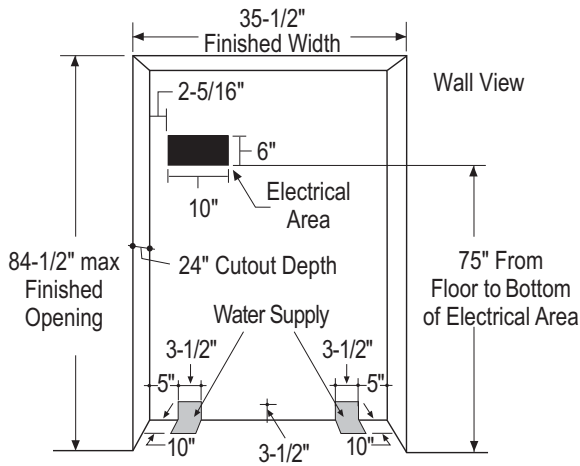
FLUSH INSET KIT ZKFN REQUIRED

The flush inset kit includes installation instructions, modified toe kicks, case assembly, and other required components.

Instructions for Stainless Steel Installation

Design Guide - Stainless Steel Installation

THE INSTALLATION SPACE



Water And Electrical Locations

Electrical and water supply must be located as shown.

The Cutout Depth Must Be 24" (60.96 cm)

The refrigerator will project forward, slightly beyond adjacent cabinetry, depending on your installation. Allow minimum 1/8" (0.32 cm) air gap between case back & wall.

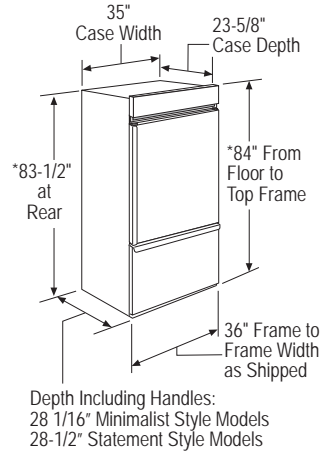
Cutout depth beneath a soffit:

When installed beneath a soffit, the soffit cannot exceed the 24" (60.96 cm) installation depth shown. The top case trim overlaps the bottom of the soffit.

Additional Specifications

- A 115 volt 60Hz., 15 or 20 amp power supply is required. An individual properly grounded branch circuit or circuit breaker is recommended. Install a properly grounded 3-prong electrical receptacle recessed into the back wall. Electrical must be located on rear wall as shown.
- Water line can enter the opening through the floor or back wall. Route SmartConnect™ kit or 1/4" O.D. copper tubing between the cold water line and the water connection location. The tubing should be long enough to extend to the front of the refrigerator. Installation of an easily accessible shut-off valve in the water line is required.

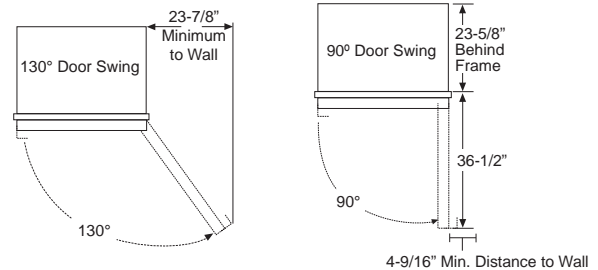
DIMENSIONS AND CLEARANCES



* Shipping height. The refrigerator can be adjusted to fit into a cutout that is 84-1/2" (214.63 cm) max. height. Note that the top case trim at the front is 1/2" (1.27 cm) higher and will overlap upper cabinetry or soffit. Use leveling legs and wheels for a maximum 1" (2.54 cm) height adjustment.

Product Clearances

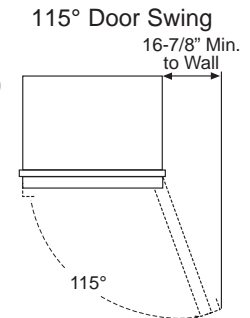
These refrigerators are equipped with a 3-position door stop. The factory set 115° door swing can be adjusted to 90° if clearance to adjacent cabinets or walls is restricted.



Allow 23 7/8" (60.64 cm) minimum clearance for a full 130° door swing. Allow 15" (38.0 cm) for pan removal.

For a 90° door swing, allow 4 9/16" (11.59 cm) min. clearance to a wall. If the 90° door stop position is used, pan access is maintained, but pan removal is restricted.

See illustration on page 27 to determine door swing interaction with adjacent cabinets or countertops.



Design Guide - Stainless Steel Installation

CUSTOMIZATION BASICS:

Stainless Steel Wrapped Refrigerators

Stainless Steel wrapped refrigerators have wrapped doors and grille panel, beveled edges, and tubular stainless steel handles that coordinate with other Monogram appliances. These models are shipped ready for installation. These models do not include handles.



Statement Handle
ZKSB2H2PNSS



Minimalist Handle
ZKSB2H2CNSS

*Optional Handles - When ordering this product, be sure to use the model number associated with the chosen handle.

OPTIONAL ACCESSORY KITS

ZKBSN720SS: Unification kit for an integrated appearance on 2 stainless steel models installed side-by-side.

REFRIGERATOR LOCATION

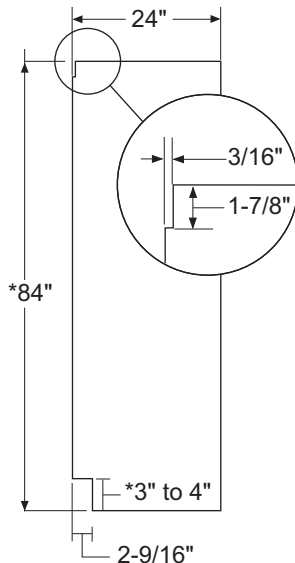
- Do not install the refrigerator where the temperature will go below 55°F (13°C). It will not run often enough to maintain proper temperatures.
- Do not install the refrigerator where temperatures will go above 100°F (37°C). It will not perform properly.
- Do not install the refrigerator in a location exposed to water (rain, etc.) or direct sunlight.
- Install it on a floor strong enough to support it fully loaded.

SIDE PANELS

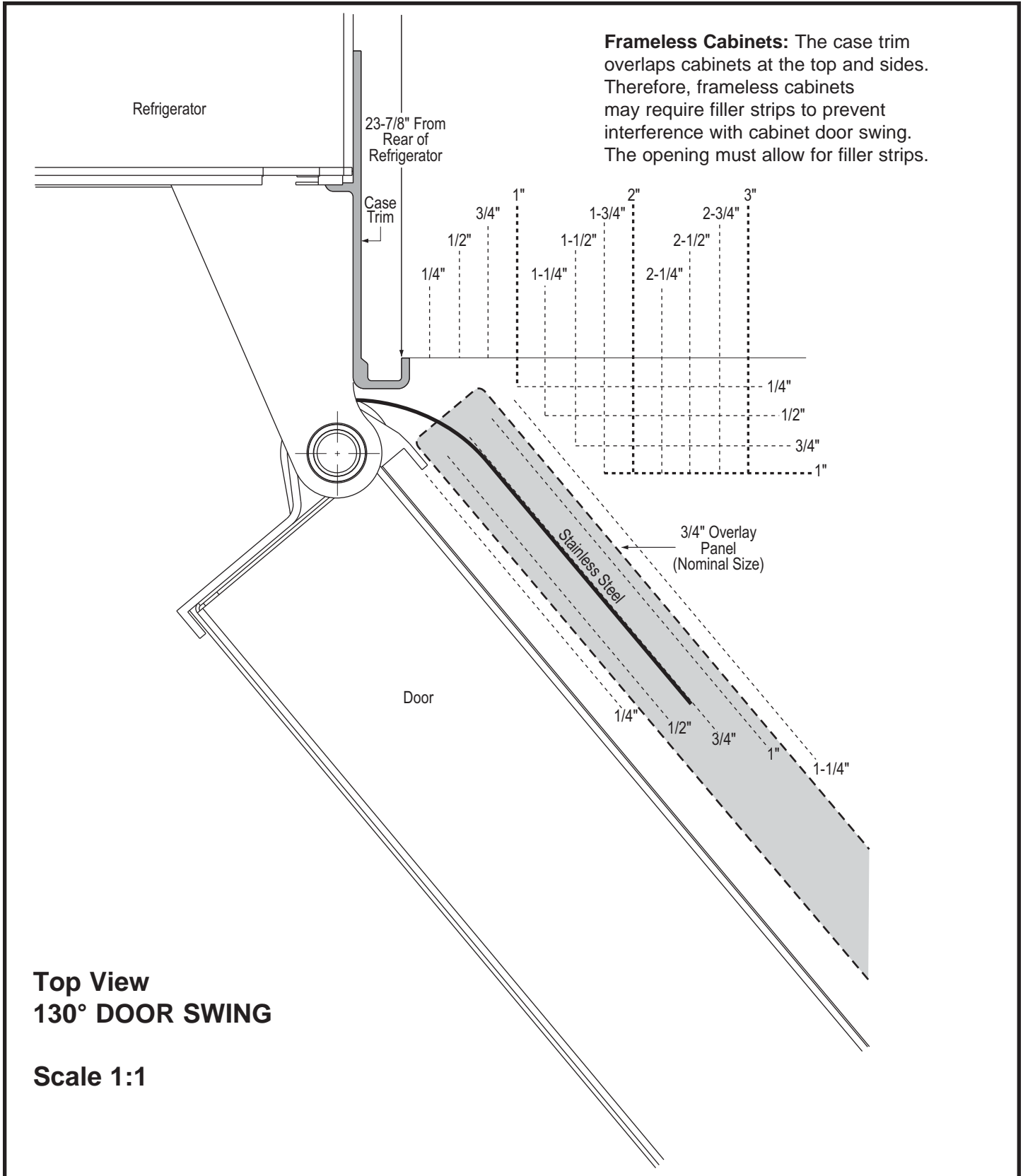
Side panels must be used whenever the sides of the refrigerator will be exposed. The 1/4" (0.63 cm) side panels will slip into the side case trim. Secure the panels to the refrigerator with stick-on hook and loop fastener strips. Order the side panels from the cabinet manufacturer.

- Cut a notch in the top front corner as shown to allow clearance for corner keys in the front side trim.

* Depending on installation height.



Design Guide - Stainless Steel Installation



Installation Instructions - Stainless Steel Installation

TOOLS REQUIRED

- Tinsnips to cut banding
- Stepladder
- Bucket
- Level
- Appliance Hand Truck
- Tubing cutter
- 7/16" open-end wrench
- #2 Phillips screwdriver
- Drill and appropriate bits
- 5/16", 7/16" socket
- Safety glasses
- 1-1/4" open end wrench
- Pliers
- 1/4" ratchet

HARDWARE SUPPLIED

- Water filter bypass plug
- Anti-Tip brackets
- 1/4" nut and ferrule

MATERIALS REQUIRED

- 35" (88.9 cm) long 2x4 for Anti-Tip support
- 1/4" copper water line tubing or SmartConnect™ Refrigerator Tubing kits
- Water shut-off valve
- Custom panels for fresh food door, freezer drawer and grille panel
- Screws to secure refrigerator to cabinetry.
- Stick-on hook and loop fastener strips for 1/4" side panels

FLOORING

For proper installation, this refrigerator must be placed on a level surface of hard material that is at the same height as the rest of the flooring. This surface should be strong enough to support a fully loaded refrigerator, or approximately 1,200 lbs. (544.31 cm).

NOTE: Protect the finish of the flooring. Cut a large section of the cardboard carton and place under the refrigerator where you are working.

GROUNDING THE REFRIGERATOR

⚠ WARNING  **Electrical Shock Hazard.**

Failure to follow these instructions can result in death, fire, or electrical shock.

The power cord of this appliance is equipped with a 3-prong (grounding) plug which mates with a standard 3-prong (grounding) wall receptacle to minimize the possibility of electric shock hazard from this appliance.

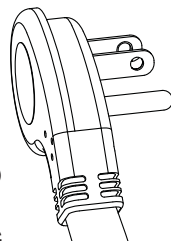
Have the wall outlet and circuit checked by a qualified electrician to make sure the outlet is properly grounded.

Where a standard 2-prong wall outlet is encountered, it is your personal responsibility and obligation to have it replaced with a properly grounded 3-prong wall outlet.

DO NOT, UNDER ANY CIRCUMSTANCES, CUT OR REMOVE THE THIRD (GROUND) PRONG FROM THE POWER CORD.

DO NOT USE AN ADAPTER PLUG TO CONNECT THE REFRIGERATOR TO A 2-PRONG OUTLET.

DO NOT USE AN EXTENSION CORD WITH THIS APPLIANCE.



MISE À LA TERRE DU RÉFRIGÉRATEUR

⚠ AVERTISSEMENT  **Risque de choc électrique.**

Le non-respect de ces instructions peut entraîner des risques d'incendies, des chocs électriques ou la mort.

Le cordon d'alimentation de cet appareil est équipé d'une fiche à trois broches (pour une mise à la terre) qui s'adapte à la prise de courant standard à 3 broches (pour une mise à la terre) pour minimiser les risques de chocs électriques par cet appareil.

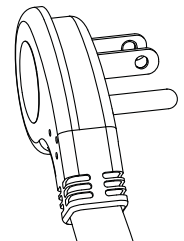
Faites vérifier la prise murale et le circuit électrique par un électricien qualifié pour s'assurer que le système est correctement mis à la terre.

Dans le cas d'une prise biphasée, l'installateur a la responsabilité et l'obligation de la remplacer par une prise triphasée correctement mise à la terre.

NE COUPEZ PAS OU N'ENLEVEZ PAS, SOUS AUCUN PRÉTEXTE, LA TROISIÈME BROCHE DE MISE À LA TERRE DU CORDON D'ALIMENTATION.

N'UTILISEZ PAS D'ADAPTATEUR POUR BRANCHER LE RÉFRIGÉRATEUR À UNE PRISE BIPHASÉE.

N'UTILISEZ PAS DE RALLONGE AVEC CET APPAREIL.



Installation Instructions - Stainless Steel Installation

CONEXIÓN A TIERRA DEL REFRIGERADOR

⚠ ADVERTENCIA



Riesgo de Descarga

Eléctrica

Si no se siguen estas instrucciones, se podrá producir la muerte, incendios o descargas eléctricas.

El cable de corriente de este electrodoméstico cuenta con un enchufe de 3 cables (conexión a tierra) que se conecta a un tomacorriente de pared estándar de 3 cables (conexión a tierra) para minimizar el riesgo de posibles descargas eléctricas por parte del mismo.

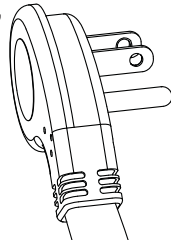
Contrate a un electricista calificado para que controle el tomacorriente y el circuito eléctrico, a fin de asegurar que el enchufe esté correctamente conectado a tierra.

En caso de contar con un tomacorriente de pared de 2 cables, es su responsabilidad y obligación reemplazarlo por un tomacorriente de pared de 3 cables correctamente conectado a tierra.

NUNCA, BAJO NINGUNA CIRCUNSTANCIA, CORTE NI ELIMINE EL TERCER CABLE (TIERRA) DEL CABLE DE CORRIENTE.

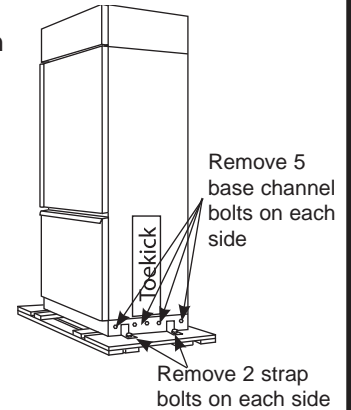
NO USE UN ENCHUFE ADAPTADOR PARA CONECTAR EL REFRIGERADOR A UN TOMACORRIENTE DE 2 PATAS.

NO USE UN PROLONGADOR CON ESTE ELECTRODOMÉSTICO.



STEP 1 REMOVE PACKAGING (Cont.)

- The unit is secured to the skid with 4 slotted tie-down straps. Remove the six 7/16" bolts from the base channels in the tie-downs.
- Remove the six 7/16" bolts securing the straps to the skid.



NOTE: DO NOT ATTEMPT TO ROLL UNIT OFF SKID.

- The support blocks on the bottom of the refrigeration case must be removed before the refrigerator is taken off the skid or damage will occur. Carefully tilt the refrigerator and slide the blocks out from beneath.
- Remove the toekick and set aside for final installation.
- Lift the refrigerator off the skid with an appliance dolly. Handle from the sides.

STEP 1 REMOVE PACKAGING

⚠ WARNING



Tip Over Hazard.

The refrigerator is much heavier at the top than at the bottom—be careful when moving. When using a hand truck, handle from the side only.

⚠ AVERTISSEMENT



Risque de

basculement Le réfrigérateur est beaucoup plus lourd en haut qu'en bas. Il faut être prudent lors des déplacements. Si un diable est utilisé, il faut soulever le réfrigérateur sur le côté seulement.

⚠ ADVERTENCIA



Riesgo de Caídas

El refrigerador es mucho más pesado en su parte superior que en su parte inferior – tenga cuidado al moverlo. Al usar un carro manual, sosténgalo de costado únicamente.

- Carefully cut banding at the top and bottom, remove the outer carton.
- Slide out the back corner posts (2).
- Slide the carton off the top of the cabinet.

NOTE: IT IS NOT NECESSARY TO LAY THE CABINET DOWN IN ORDER TO REMOVE THE SKID!

Installation Instructions - Stainless Steel Installation

STEP 2 INSTALL WATER LINE

⚠ WARNING Connect to potable water supply only. A cold water supply is required for automatic icemaker operation. The water pressure must be between 40 and 120 psi (275-827 kilopascals).

⚠ WARNING  **ELECTRIC SHOCK HAZARD**

Attach tubing clamp using existing hole only. DO NOT drill into the refrigerator.

⚠ AVERTISSEMENT Raccordez l'appareil à une alimentation d'eau potable seulement. Une alimentation d'eau froide est requise pour faire fonctionner la machine à glaçons et le pichet à remplissage automatique. La pression d'eau doit se situer entre 40 et 120 psi. (275 à 827 kPa).

⚠ AVERTISSEMENT  **RISQUE DE DÉCHARGE ÉLECTRIQUE**

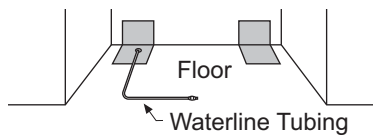
Fixez le collier de serrage dans le trou présent seulement. NE PERCEZ PAS dans le réfrigérateur.

⚠ ADVERTENCIA Realice la conexión a un suministro de agua potable únicamente. Se requiere un suministro de agua fría para el funcionamiento de la máquina de hielos automática y de la jarra de llenado automático. La presión del agua deberá estar entre 40 y 120 p.s.i. (275 – 827 kPa).

⚠ ADVERTENCIA  **PELIGRO DE DESCARGA ELÉCTRICA**

Adhiera la abrazadera de la tubería usando el agujero existente únicamente. NO perforo el refrigerador.

- A cold water supply is required for automatic icemaker operation. The water pressure must be between 40 and 120 p.s.i. (275-827 kPa).
- Route 1/4" OD copper or SmartConnect™ plastic tubing between house cold water line and the water connection location.
- Tubing should be long enough to extend to the front of the refrigerator. Allow enough tubing to accommodate bend leading into the water line connection.



NOTE: The only Monogram-approved plastic tubing is supplied in the SmartConnect™ Refrigerator Tubing kits. Do not use any other plastic water supply line because the line is under pressure at all times. Other types of plastic may crack or rupture with age and cause water damage to your home.

SmartConnect™ Refrigerator Tubing Kits are available in the following lengths:

2' (.6 m) - WX08X10002 8' (2.4 m) - WX08X10006
15' (4.6 m) - WX08X1 0015 25' (7.6 m) - WX08X10025

STEP 2 INSTALL WATER LINE (Cont.)

Shut off the main water supply.

Turn on the nearest faucet long enough to clear the line of water.

- Install a shut-off valve between the icemaker water valve and cold water pipe in a basement or cabinet. The shut-off valve should be located where it will be easily accessible.
- Turn on the main water supply and flush debris. Run about a quart of water through the tubing into a bucket. Shut off water supply at the shut-off valve.

NOTE: Saddle type shut-off valves are included in many water supply kits, but are not recommended for this application.

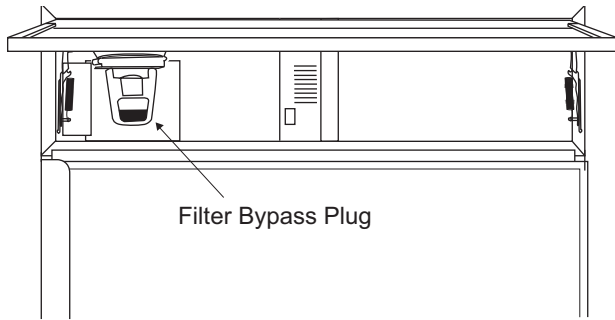
NOTE: Commonwealth of Massachusetts Plumbing Codes 248CMR shall be adhered to. Saddle valves are illegal and use is not permitted in Massachusetts. Consult with your licensed plumber.

Installation Instructions - Stainless Steel Installation

STEP 2A WATER LINE INSTALLATION WITH A REVERSE OSMOSIS SYSTEM OR OTHER HOUSEHOLD FILTRATION SYSTEM

Skip this step when not using an RO System or other household filtration system

If the water supply to the refrigerator is from a household filtration system, use the refrigerator's filter bypass plug. Using the refrigerator's water filtration cartridge with the RO filter can result in hollow ice cubes.



STEP 3 INSTALL SIDE PANELS

Skip this step when not using side panels. If you are using 1/4" (0.63 cm) side panels, they should be inserted into the case trim. Fasten the panels to the refrigerator with stick-on hook and loop fastener strips before setting refrigerator in place.

STEP 4 ANTI-TIP PROCEDURE

⚠ WARNING



Tip Over Hazard.

These refrigerators are top heavy, especially with any doors open, and must be secured to prevent tipping forward which could result in death or serious injury. Read and follow the entire installation instructions for securing the refrigerator with the anti-tip system.

⚠ AVERTISSEMENT



Risque de basculement

Ces réfrigérateurs présentent une partie supérieure lourde, en particulier avec une porte ouverte; ils doivent donc être fixés pour prévenir le basculement vers l'avant et le risque concomitant de blessure grave ou fatale. Lisez et suivez les instructions d'installation complètes pour l'installation du système anti-basculement.

⚠ ADVERTENCIA

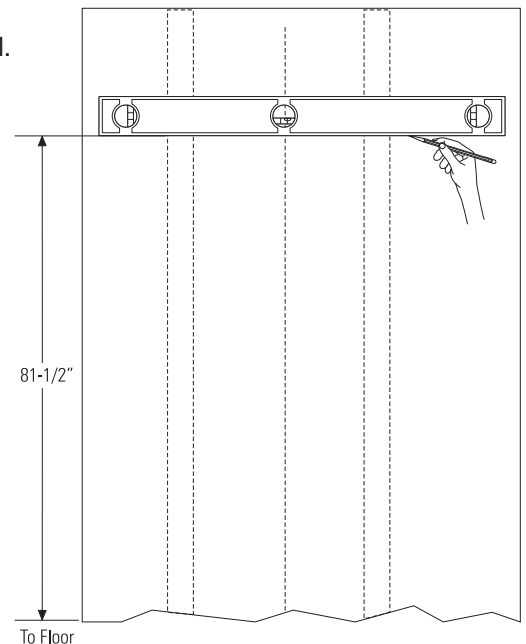


Riesgo de Caídas

Estos refrigeradores son inestables, especialmente cuando una puerta se encuentre abierta, y deberán estar asegurados a fin de evitar caídas hacia adelante que podrían resultar en la muerte o en lesiones graves. Lea y siga las instrucciones de instalación en su totalidad para asegurar el refrigerador con el sistema anti volcaduras.

- The kit supplied with the unit contains 2 lag bolts and 4 toggles with bolts. The wall bracket will be attached to the wall in 4 places.
- Measure the opening where the unit is to be installed. Mark the center with a vertical line.
- Measure up 81 1/2" (207.01 cm) from the floor. Mark this point on the wall.

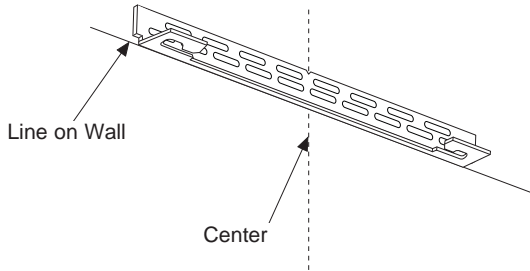
- Using a level, draw a horizontal line on the wall at this height.
- Locate at least 2 studs on the back wall. Mark these points on the horizontal line.



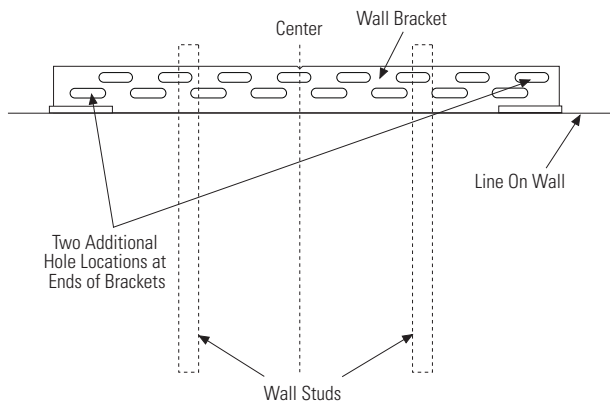
Installation Instructions - Stainless Steel Installation

STEP 4 ANTI-TIP PROCEDURE (CONT)

- Place the bottom of the wall bracket with tabs on the horizontal line. Align the center notch on the bracket with the center line on the wall.



- The anti-tip wall bracket has a series of holes. Select 2 holes that match with the located studs. Make sure the holes selected are on the center of the studs. Mark the wall at these points.
- Mark an additional hole at each end of the bracket. If one of the studs is closer to the end of the bracket, mark an additional hole towards the center of the bracket.



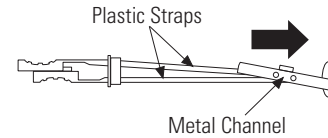
- Drill 1/2" (1.27 cm) holes into the wall board at the locations marked for the toggles to be mounted (not the stud markings).
- Drill 3/16" (0.47 cm) holes into wooden studs where marked. If steel stud construction, drill 1/2" (1.27 cm) holes into the studs where marked. You will use 2 toggles with the metal studs.

Install Wall Toggles:

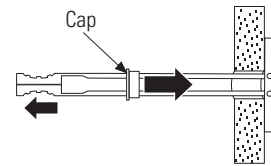
The wall toggles and bolts can be ordered as Service Kit #WR49X10193. Wall toggles are installed in the drywall and metal studs for stability. Install the wall toggles as follows:

- Drill 1/2" (1.27 cm) holes at the wall markings made in the holes at the ends of the wall bracket.

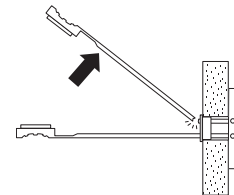
- Hold the metal channel flat against the plastic straps and slide the channel through the hole.



- Gently pull back at the ends of the plastic straps to make the channel rest flush behind the wall.
- Hold the ends of the straps in one hand and slide the plastic cap along the straps until the flange of the cap is flush with the wall.

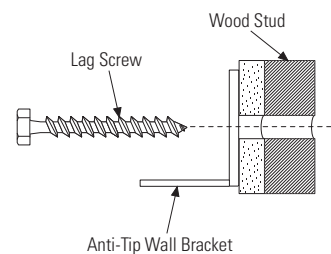


- Place your thumb between the plastic straps and bend up and down to snap the straps off at the wall.

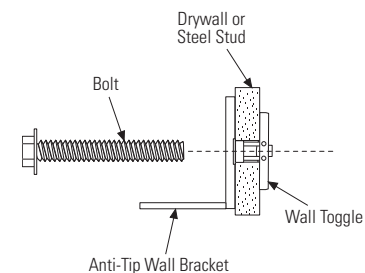


Install Screws and Bolts:

- Have someone hold the wall bracket centered in place with each of the holes aligned with the correct opening in the bracket and level with the horizontal line.
- Insert the lag screws through the bracket and into the stud. Tighten with a wrench.



- Insert the bolts into the toggle by hand until snug. Tighten with a wrench.



Installation Instructions - Stainless Steel Installation

STEP 4 ANTI-TIP PROCEDURE (CONT)

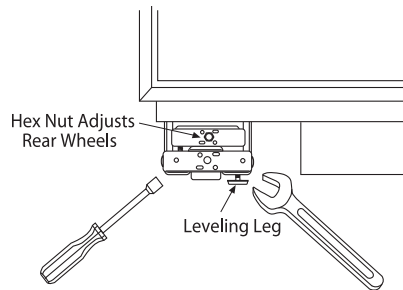
Connect Power Cord:

- Before pushing the refrigerator into the opening, plug the power cord into the receptacle. Open the grille panel and reach into the opening at the back to grasp the power cord. Pull the power cord into the opening as you push the refrigerator back.
- Gently push refrigerator into the opening with hands against front corners.

STEP 5 LEVEL REFRIGERATOR

All models have 4-point leveling. The front is supported by leveling legs, the rear is supported by adjustable wheels. Both are accessible from the front of the refrigerator.

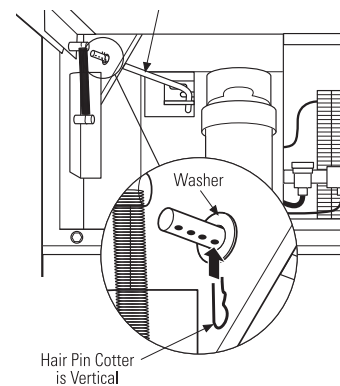
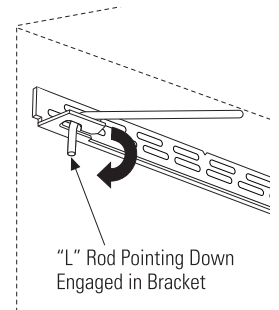
- To level the back of the refrigerator, turn the 7/16" hex nut located above the rear wheels. Turn clockwise to raise or counterclockwise to lower the refrigerator.
- For front leveling, use a 1-1/4" open-end wrench.
- Adjust height of refrigerator to match installation cutout opening 83-1/2" (212.09 cm) to 84-1/2" (10.16 cm). The refrigerator should be level and plumb with cabinetry.



The rear leveling wheels and front leveling legs are limited to a maximum height adjustment of 1" (2.54 cm). If the installation requires more than 84-1/2" (214.63 cm) height, the installer should elevate the refrigerator on a sheet of plywood or runners. Cabinetry trim could also be added across the top of the opening to shorten the opening. If you attempt to raise the refrigerator more than 1" (2.54 cm), you will damage the front leveling legs and the rear leveling wheels.

STEP 6 SECURE UNIT TO WALL

- The "L" rod can be found in the upper left corner of the unit in the access compartment. Look through the access compartment to make sure the rod lines up with the anti-tip bracket.
 - There are 2 washers and a hair pin cotter with the rod. Remove the washers and hair pin cotter from the end of the rod.
 - Rotate and move the "L" rod into the slot in the anti-tip bracket tab. Once it is in the slot, rotate the "L" rod so the hook portion is pointing down. The holes at the front end of the rod should be in a vertical position.
 - Pull out on the end of the rod to make sure it is secure in the bracket.
 - Locate the hole on the rod that is closest to the unit. A hair pin cotter will be put through this hole to secure the rod. If this hole appears to be too far away for a snug fit against the unit, add the washers one at a time until the pin will fit tightly into the hole.
 - Align the straight section of the pin with the hole from the underside of the rod. Push the pin up until it snaps into position. Pliers may be used.
- NOTE:** The hair pin cotter must be vertical when this step is completed to ensure the "L" rod is engaged in the bracket.
- Check the rod for tightness by pulling forward. If the rod moves, remove the hair pin cotter and place another washer on the rod. Reinsert the pin.

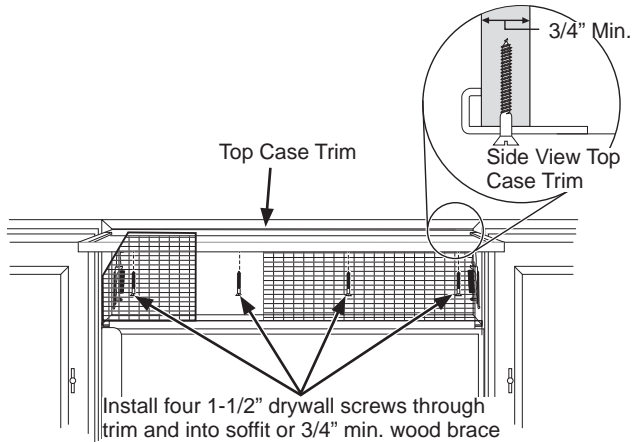


Installation Instructions - Stainless Steel Installation

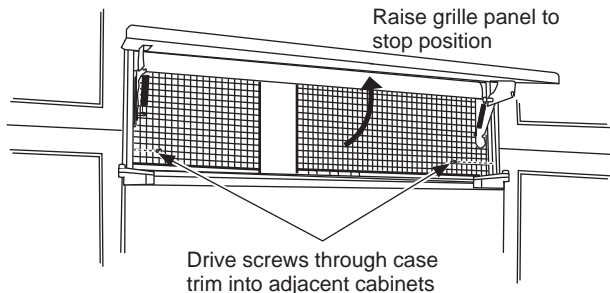
STEP 7 ALTERNATE ANTI-TIP PROCEDURE

The refrigerator must be secured to prevent tipping. When the anti-tip bracket cannot be used, this alternate method can be used to prevent the refrigerator from tipping.

- Raise the grille panel to access case trim.
- Use a 3/16" bit to drill four evenly spaced clearance holes through the metal top case trim.



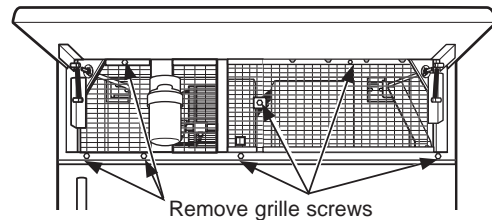
- Use a 1/16" bit to drill to pilot holes through the metal clearance holes and into the wood soffit. The holes should be centered in the soffit or a 3/4" (1.90 cm) min. wood brace. The brace spanning the enclosure must be securely fastened to cabinets on both sides.
- Install four, 1-1/2" (3.81 cm) drywall screws into the pilot holes.
- If no soffit above the unit, drill screws into adjacent cabinets through the side case trim.



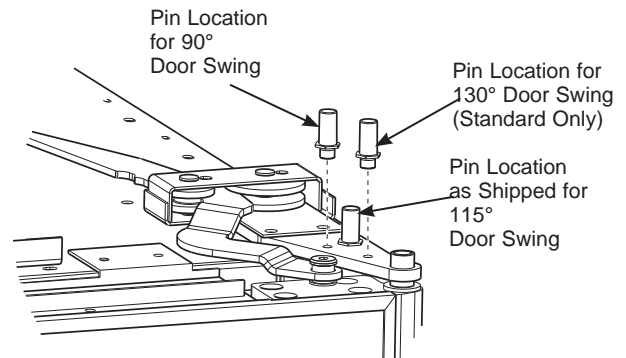
STEP 8 ADJUST DOOR SWING

NOTE: This refrigerator has a 3-position door stop. When space does not allow the door to swing open fully to 115°, you may change the door swing to a 90° opening. A 130° door swing is available for standard installation only. If used for flush installation, damage will occur to wood panels. **Skip this step if door opening is satisfactory for your installation situation.**

- Lift the grille panel to access the wire cover trim.
- Remove screws on both sides of the wire cover trim and rotate off.




- Use pliers to unscrew door stop and reinstall into the 90° or 130° (standard only) position.
- Reinstall the wire cover trim.



Installation Instructions - Stainless Steel Installation

STEP 9 CONNECT WATER SUPPLY

▲ WARNING Connect to potable water supply only. A cold water supply is required for automatic icemaker operation. The water pressure must be between 40 and 120 psi (275-827 kilopascals).

▲ WARNING  **ELECTRIC SHOCK HAZARD**
Attach tubing clamp using existing hole only. DO NOT drill into the refrigerator.

▲ AVERTISSEMENT Raccordez l'appareil à une alimentation d'eau potable seulement. Une alimentation d'eau froide est requise pour faire fonctionner la machine à glaçons et le pichet à remplissage automatique. La pression d'eau doit se situer entre 40 et 120 psi. (275 à 827 kPa).

▲ AVERTISSEMENT  **RISQUE DE DÉCHARGE ÉLECTRIQUE**
Fixez le collier de serrage dans le trou présent seulement. NE PERCEZ PAS dans le réfrigérateur.

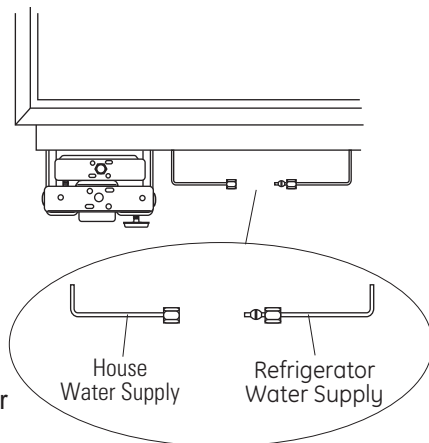
▲ ADVERTENCIA Realice la conexión a un suministro de agua potable únicamente. Se requiere un suministro de agua fría para el funcionamiento de la máquina de hielos automática y de la jarra de llenado automático. La presión del agua deberá estar entre 40 y 120 p.s.i. (275 – 827 kPa).

▲ ADVERTENCIA  **PELIGRO DE DESCARGA ELÉCTRICA**
Adhiera la abrazadera de la tubería usando el agujero existente únicamente. NO perforo el refrigerador.

- Locate and bring tubing to the front of the cabinet.
- Turn the water on to flush debris from line. Run about a quart of water through tubing into a bucket, then shut off water.

Copper Tubing:

- Slip a 1/4" nut and ferrule (provided) over both ends of the copper tubing. Insert tube into the union fitting on the unit and tighten nut to union.
- Turn on the water to check for leaks.



STEP 9 CONNECT WATER SUPPLY (Cont.)

SmartConnect™ Tubing:

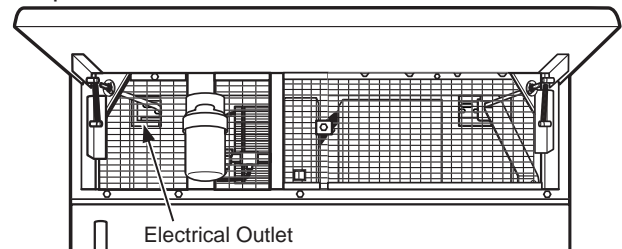
NOTE: The only Monogram-approved plastic tubing is supplied in the SmartConnect™ Refrigerator Tubing kits. Do not use any other plastic water supply line because the line is under pressure at all times. Other types of plastic may crack or rupture with age and cause water damage to your home.

- Insert the molded end of the tubing into the refrigerator connection. Tighten the compression nut until it is just hand tight.
- Tighten one additional turn with a wrench. Overtightening can cause leaks!
- Turn on the water to check for leaks.

NOTE: Make sure excess tubing length does not interfere with drawer closing or toekick installation.

STEP 10 CONNECT POWER

- Check to be sure the power cord is plugged into the receptacle.





- Check to make sure power to refrigerator is on by opening refrigerator door to see if interior lights are on.
- The temperature controls are preset at 37°F for the fresh food section and 0°F for the freezer.
- Allow 24 hours to stabilize before making adjustments.

Installation Instructions - Stainless Steel Installation

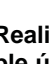
STEP 11 START ICEMAKER

⚠ WARNING Connect to potable water supply only. A cold water supply is required for automatic icemaker operation. The water pressure must be between 40 and 120 psi (275-827 kilopascals).

⚠ WARNING  **ELECTRIC SHOCK HAZARD**
Attach tubing clamp using existing hole only. DO NOT drill into the refrigerator.

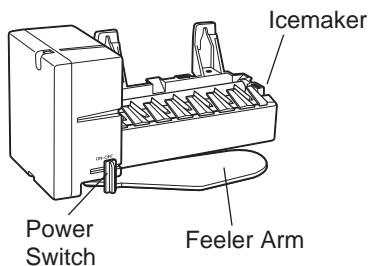
⚠ AVERTISSEMENT  **Raccordez l'appareil à une alimentation d'eau potable seulement. Une alimentation d'eau froide est requise pour faire fonctionner la machine à glaçons et le pichet à remplissage automatique. La pression d'eau doit se situer entre 40 et 120 psi. (275 à 827 kPa).**

⚠ AVERTISSEMENT  **RISQUE DE DÉCHARGE ÉLECTRIQUE**
Fixez le collier de serrage dans le trou présent seulement. NE PERCEZ PAS dans le réfrigérateur.

⚠ ADVERTENCIA  **Realice la conexión a un suministro de agua potable únicamente. Se requiere un suministro de agua fría para el funcionamiento de la máquina de hielos automática y de la jarra de llenado automático. La presión del agua deberá estar entre 40 y 120 p.s.i. (275 – 827 kPa).**

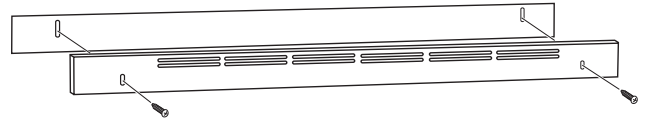
⚠ ADVERTENCIA  **PELIGRO DE DESCARGA ELÉCTRICA**
Adhiera la abrazadera de la tubería usando el agujero existente únicamente. NO perfore el refrigerador.

- The icemaker will begin operation automatically.
- Be sure nothing interferes with the sweep of the feeler arm.
- Discard the first full bucket of ice cubes.
- To turn the icemaker off, slide the switch to O (OFF).



STEP 12 INSTALL TOEKICK

- Locate the supplied toekick (shipped taped to the side of the refrigerator). Install the toekick assembly with the 2 screws provided, adjust to the desired height and tighten the screws.



IMPORTANT: A custom toekick can be installed to match or complement the surrounding cabinetry but can NOT cover the horizontal vent slots of the factory toe kick.

Notes

Notes

Notes

Installation Instructions back page.

NOTE: While performing installations described in this book, safety glasses or goggles should be worn.

NOTE: Product improvement is a continuing endeavor at Monogram. Therefore, materials, appearance and specifications are subject to change without notice.



MONOGRAM



INSTRUCTIONS D'INSTALLATION

**Réfrigérateur encastré à congélateur en bas
36 po avec guide de conception**

FRANÇAIS

MONOGRAM.COM

Consignes de sécurité

AVANT DE COMMENCER

Veillez lire toutes ces instructions attentivement.

- **IMPORTANT** – Conservez ces instructions à l'usage de l'inspecteur local. Observez tous les codes et décrets en vigueur.
- **Note à l'installateur** – Assurez-vous de laisser ces instructions au consommateur.
- **Note au consommateur** - Conservez ces instructions avec votre manuel d'utilisation pour consultation ultérieure.

Si vous avez reçu un appareil endommagé, veuillez communiquer immédiatement avec votre revendeur ou votre entrepreneur.

Niveau de compétence – L'installation de cet appareil exige des compétences de base en mécanique, menuiserie et plomberie. La responsabilité d'une installation adéquate relève de l'installateur. La garantie Monogram ne couvre pas les défauts du produit causés par une installation inadéquate. Consultez le manuel d'utilisation pour des renseignements sur la garantie.

AVERTISSEMENT



Risque d'électrocution.

Branchez l'appareil dans une prise à 3 broches mise à la terre. N'enlevez pas la broche de mise à la terre. N'utilisez pas un adaptateur.

Cessez immédiatement l'utilisation d'un cordon électrique endommagé. Si le cordon électrique est endommagé, son remplacement doit être exécuté par un technicien en réparation qualifié au moyen d'un cordon de rechange autorisé par le fabricant.

N'utilisez pas un cordon de rallonge avec cet électroménager.

Le non-respect de ces instructions peut occasionner un décès, un incendie ou un choc électrique

Suivez les instructions de la section Mise à la terre de l'appareil.

Le circuit électrique auquel cet électroménager sera raccordé doit comporter un disjoncteur ou un autre dispositif permettant de couper l'alimentation électrique à l'appareil après l'installation.

AVERTISSEMENT



Risque de basculement.

Ces électroménagers sont lourds du haut, notamment lorsqu'une porte est ouverte, de sorte qu'ils doivent être fixés pour prévenir un basculement vers l'avant susceptible d'occasionner des blessures graves ou la mort. Lisez et observez la totalité des instructions d'installation pour connaître la façon de fixer l'électroménager sur le dispositif antibasculement.

AVERTISSEMENT



Risque d'incendie ou d'explosion.

Gardez les matériaux et les vapeurs inflammables à l'écart de l'appareil. L'omission de prendre cette précaution peut entraîner un incendie, une explosion ou la mort.

AVERTISSEMENT

Pour réduire le risque d'étouffement pendant l'installation de ce produit, ne pas laisser les petites pièces à la portée des enfants âgés de moins de 3 ans.

AVERTISSEMENT

Risque lié à la manipulation d'un objet lourd

Cet appareil est très lourd. Afin de réduire le risque de blessure pendant la manipulation et l'installation de cet électroménager, la participation de 3 personnes est nécessaire à l'exécution d'une installation correcte.

AVERTISSEMENT

Gardez vos doigts éloignés des points de pincement. Les espaces entre les portes et ceux entre les portes et l'armoire sont particulièrement restreints. Soyez prudent lorsque vous fermez les portes en présence d'enfants.

Pour joindre le service Monogram de votre région, visitez monogram.com

Pour le service Monogram au Canada, visitez monogram.ca

Pour le service des Pièces et accessoires Monogram, visitez monogram.com/use-and-care/parts.

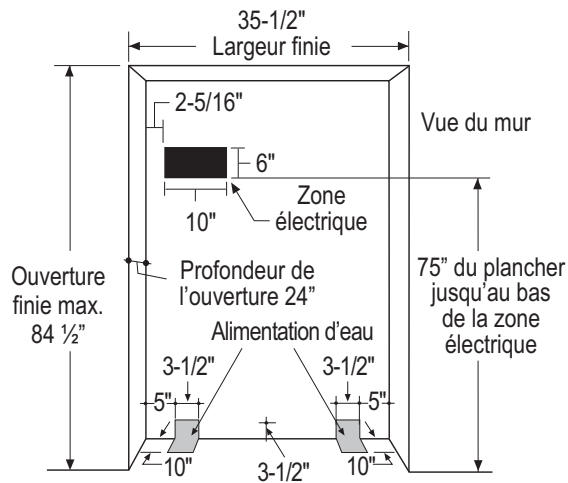
Table des matières

Sécurité	2	Instructions pour une installation affleurante	18
Instructions pour une installation standard	4	Instructions pour une installation en acier inoxydable	19
Guide de planification		Guide de planification	
L'espace d'installation	5	L'espace d'installation	20
Dimensions et dégagements	5	Dimensions et dégagements	20
Installation double	5	Renseignements essentiels sur la personnalisation	21
Renseignements essentiels sur la personnalisation	6	Panneaux latéraux	21
Emplacement du réfrigérateur	6	Trousse d'accessoires en option	21
Trousse d'accessoires en option	6	Emplacement du réfrigérateur	21
Dimensions du panneau encadré 1/4 po	7	Ouverture de porte à 130°	22
Dimensions du panneau de recouvrement 3/4 po	7	Instructions d'installation	
Panneaux latéraux	8	Outils, quincaillerie, matériaux	23
Dimensions du panneau de grille ZKBFN720NII	8	Mise à la terre de l'appareil	23
Ouverture de porte à 130°	9	Étape 1. Retirer l'emballage	23
Instructions d'installation		Étape 2. Installer la conduite d'eau	24
Outils, quincaillerie, matériaux	10	Étape 2A. Installation de la conduite d'eau avec système d'osmose inverse ou autre système de filtration domestique	24
Mise à la terre de l'appareil	10	Étape 3. Installer les panneaux latéraux	24
Étape 1. Retirer l'emballage	10	Étape 4. Dispositifs antibasculement	25
Étape 2. Installer la conduite d'eau	11	Étape 5. Mettre le réfrigérateur de niveau	26
Étape 2A. Installation de la conduite d'eau avec système d'osmose inverse ou autre système de filtration domestique	11	Étape 6. Fixer l'appareil au mur	26
Étape 3. Installer les panneaux latéraux	11	Étape 7. Autres dispositifs antibasculement	27
Étape 4. Dispositifs antibasculement	12	Étape 8. Ajustement de l'ouverture de porte	27
Étape 5. Mettre le réfrigérateur de niveau	13	Étape 9. Raccorder l'alimentation d'eau	28
Étape 6. Fixer l'appareil au mur	13	Étape 10. Brancher l'alimentation	28
Étape 7. Autres dispositifs antibasculement	14	Étape 11. Démarrer la machine à glaçons	28
Étape 8. Ajustement de l'ouverture de porte	14	Étape 12. Installer le coup-de-pied	28
Étape 9. Installer le panneau de grille	15		
Étape 10. Installer les panneaux encadrés 1/4	15		
Étape 10A. Installer les panneaux de recouvrement	16		
Étape 11. Raccorder l'alimentation d'eau	17		
Étape 12. Brancher l'alimentation	17		
Étape 13. Démarrer la machine à glaçons	17		
Étape 14. Installer le coup-de-pied	17		

Instructions pour une installation standard

Guide de conception – Installation standard

L'ESPACE D'INSTALLATION



Emplacements des alimentations d'eau et électrique

Les alimentations d'eau et électrique doivent se situer comme illustré.

La profondeur de l'ouverture doit mesurer 24 po (60,96 cm)

Le réfrigérateur se projettera vers l'avant, légèrement au-delà des armoires adjacentes, selon le type de votre installation. Allouez un espace d'air minimal de 1/8 po (0,32 cm) entre l'arrière du caisson et le mur.

Profondeur de l'ouverture en dessous d'un soffite :

Si l'installation s'effectue sous un soffite, celui-ci ne peut dépasser la profondeur de l'installation de 24 po (60,96 cm) illustrée. La garniture de caisson supérieure chevauche le bas du soffite.

Spécifications supplémentaires

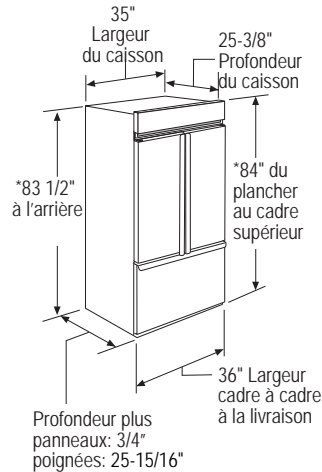
- Une alimentation électrique de 115 volts, 60Hz, 15 ou 20 ampères est requise. Un circuit de dérivation ou un disjoncteur distinct correctement mis à la terre sont recommandés. Installez une prise électrique à trois alvéoles correctement mise à la terre encastrée dans le mur arrière. Le câblage électrique doit se situer sur le mur arrière comme illustré.
- La conduite d'eau peut pénétrer dans l'ouverture à travers le plancher ou le mur arrière. Acheminez la trousse SmartConnect™ ou un tuyau de cuivre de 1/4 po (D.E.) entre la conduite d'eau froide et le lieu du raccord d'eau. Le tuyau doit être suffisamment long pour atteindre le devant de l'appareil. L'installation d'un robinet de sectionnement aisément accessible est requise.

Installation double

- Si vous installez deux réfrigérateurs côte-à-côte, l'espace d'installation doit mesurer 71 1/2 po (181,61 cm) en largeur.

REMARQUE : Une largeur d'ouverture supplémentaire peut être nécessaire lorsque des panneaux latéraux sont utilisés. Ajoutez l'épaisseur des panneaux latéraux à l'ouverture finie pour calculer la largeur brute.

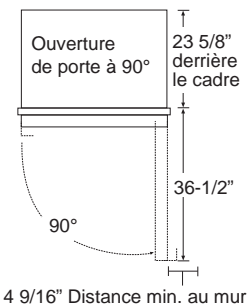
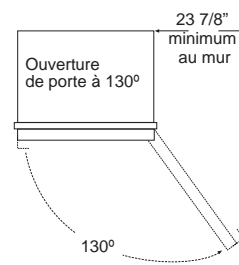
DIMENSIONS ET DÉGAGEMENTS



* Hauteur à la livraison. On peut ajuster le réfrigérateur pour le placer dans une ouverture de 84 1/2 po (214,63 cm) de hauteur max. Notez que la garniture de caisson supérieure sur le devant est plus haute de 1/2 po (1,27 cm) et qu'elle chevauchera l'armoire supérieure ou le soffite. Utilisez les pieds de nivellement et les roulettes pour un ajustement maximal en hauteur de 1 po (2,54 cm).

Dégagements du produit

Ces réfrigérateurs sont dotés d'une butée à 3 positions. L'ouverture de porte de 115° réglée à l'usine peut s'ajuster à 90° si le dégagement aux armoires ou aux murs adjacents est restreint.

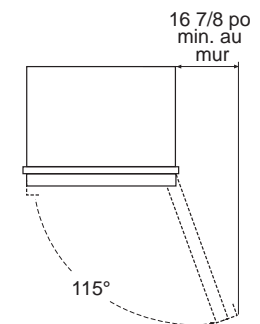


Allouez un dégagement minimal de 23 7/8 po (60,64 cm) pour une ouverture complète à 130°. Allouez 15 po (38,1 cm) pour le retrait du plateau.

Pour une ouverture de porte à 90°, allouez un dégagement minimal de 4 9/16 po (11,59 cm) à un mur. Si l'on utilise la position à 90°, l'accès au plateau est maintenu mais son retrait est restreint.

Voyez l'illustration à la page 9 pour déterminer l'impact de l'ouverture de porte sur les armoires ou les comptoirs adjacents.

Ouverture de porte à 115°



Guide de conception – Installation standard

RENSEIGNEMENTS SUR LA PERSONNALISATION : Panneaux encadrés ou de recouvrement, poignées personnalisées et trousse d'accessoires

Ces réfrigérateurs sont conçus pour être personnalisés à l'aide de panneaux décoratifs. Il faut donc se procurer des panneaux de porte et de grille personnalisés dans le marché.

Panneaux latéraux

On doit utiliser des panneaux latéraux si les côtés du réfrigérateur sont exposés.

EMPLACEMENT DU RÉFRIGÉRATEUR

- N'installez pas le réfrigérateur à un endroit où la température peut descendre en dessous de 55 °F (13 °C). L'appareil ne fonctionnera pas suffisamment souvent pour maintenir les températures appropriées.
- N'installez pas le réfrigérateur/congélateur à un endroit où la température monter au-delà de 100 °F (37 °C). L'appareil ne fonctionnera pas correctement.
- N'installez pas le réfrigérateur dans un endroit exposé à l'eau (pluie, etc.) ou aux rayons directs du soleil.
À cet endroit, le plancher doit pouvoir supporter le poids du réfrigérateur pleinement chargé.

TROUSSES D'ACCESSOIRES EN OPTION

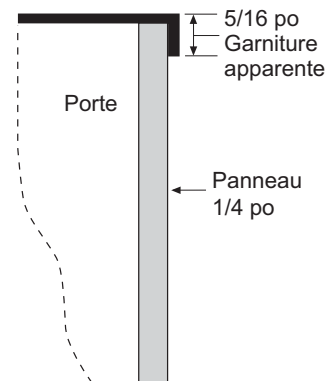
- **ZKBSN720SS** : Ensemble d'agencement pour l'intégration de deux modèles en acier inoxydable installés côte-à-côte.
- **ZKBFN720NII** : Ensemble d'agencement pour l'intégration de deux modèles de panneaux personnalisés installés côte-à-côte.
- **ZKLN** : Ensemble de poignée à visière pour les modèles à panneau personnalisé d'une installation standard. Cet ensemble comprend deux poignées.
- **ZKFN** : L'ensemble d'installation d'encadrement est requis pour toutes les installations encastrées. L'ensemble d'encadrement comprend les instructions d'installation, les coup-de-pieds modifiés, l'assemblage de boîtier et d'autres composants requis.

Guide de conception – Installation standard

DIMENSIONS DU PANNEAU ENCADRÉ 1/4 po (0,63 cm)

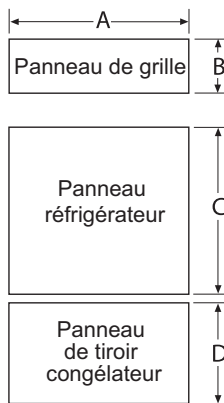
Si vous choisissez d'installer des panneaux encadrés, ils doivent être coupés aux dimensions illustrées. Les panneaux glissent dans le cadre de la porte, du tiroir et de la grille.

Si le panneau personnalisé mesure moins de 1/4 po (0,63 cm) d'épaisseur et qu'il présente du jeu dans le cadre de porte, on peut le souffler avec un matériau de remplissage ou du ruban de mousse afin d'améliorer son ajustement.



REMARQUE IMPORTANTE : Poids total maximal du panneau :

- Panneau de porte réfrigérateur – 58 lbs. (26.31 kg)
- Panneau de tiroir congélateur – 28 lbs. (12.70 kg)
- Panneau de grille – 11 lbs. (4.99 kg)



Dimensions du panneau encadré				
	A (Larg.)	B (Haut. grille)	C (Haut. FF)	D (Haut. FZ)
Panneau encadré 1/4 po (0,63 cm)	33-7/8" (86.04 cm)	8-7/8" (22.54 cm)	46-1/16" (101.76 cm)	21-7/8" (55.56 cm)

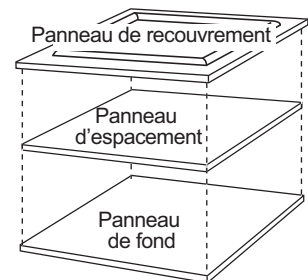
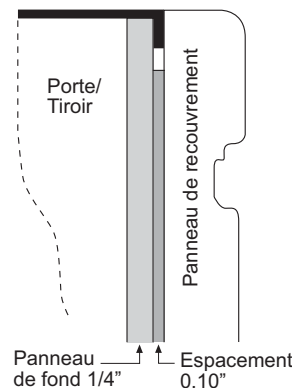
Dimensions du panneau de recouvrement				
	A (Larg.)	B (Haut. grille)	C (Haut. FF)	D (Haut. FZ)
Panneau de fond 1/4 po (0,63 cm)	33-7/8" (86.04 cm)	8-7/8" (22.54 cm)	46-1/16" (116.99 cm)	21-7/8" (55.56 cm)
Panneau d'espacement 0,10 po (0,25 cm)	32-1/2" (82.55 cm)	7-5/8" (20 cm)	44-11/16" (113.51 cm)	20-1/2" (52.07 cm)
Panneau de recouvrement 3/4 po (1,9 cm)	34-1/8" (96.67 cm)	9" (22.86 cm)	46-5/16" (117.63 cm)	22" (55.88 cm)

DIMENSIONS DU PANNEAU DE RECOUVREMENT 3/4 po

Pour une apparence davantage personnalisée, on peut installer des panneaux de recouvrement sur les modèles avec garnitures. Il faut poser le panneau de recouvrement sur un panneau de fond de 1/4 po (0,63 cm) qui glissera dans la garniture. Un panneau d'espacement de 0,10 po (0,25 cm) d'épaisseur doit être placé entre les panneaux de recouvrement et de fond.

Assemblez les panneaux avec de la colle et des vis.

- Centrez le panneau d'espacement sur le panneau de fond, horizontalement et verticalement. Fixez les panneaux avec de la colle.
- Centrez les panneaux d'espacement et de fond sur le panneau de recouvrement et fixez avec de la colle et des vis. Il faut noyer les vis dans le panneau de fond.



REMARQUE IMPORTANTE :

Poids total maximal des panneaux assemblés :

- Panneau de porte réfrigérateur – 58 lb (26 kg)
- Panneau de tiroir congélateur – 28 lb (13 kg)
- Panneau de grille – 11 lb (5 kg)

REMARQUE : Le décalage horizontal n'égal pas toujours le décalage vertical.

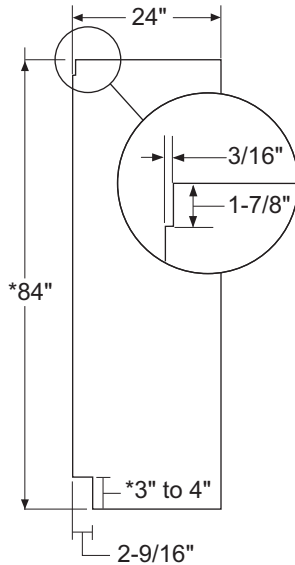
Guide de conception – Installation standard

PANNEAUX LATÉRAUX

On doit utiliser des panneaux latéraux si les côtés du réfrigérateur sont exposés. Les panneaux latéraux de 1/4 po (0,63 cm) vont glisser dans la garniture latérale de caisson. Attachez les panneaux sur le réfrigérateur à l'aide de ruban autoagrippant (velcro). Commandez les panneaux latéraux auprès du fabricant d'armoires.

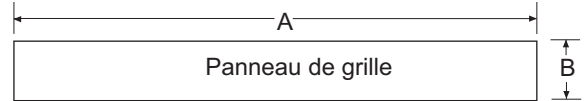
- Découpez une encoche dans le coin supérieur avant comme illustré pour le dégagement des clavettes d'angle dans la garniture latérale avant.

* Selon la hauteur de l'installation.



DIMENSIONS DU PANNEAU DE GRILLE ZKBFN720NII

L'ensemble d'agencement ZKBFN720NII permet l'installation d'un panneau de grille encadré ou de recouvrement.



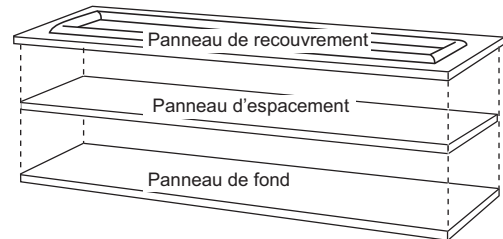
Dimensions du panneau encadré

Panneau encadré 1/4 po (0,63 cm)	A (Larg.)	B (Haut.)
	69-7/8" (177.48 cm)	8-7/8" (22.54 cm)

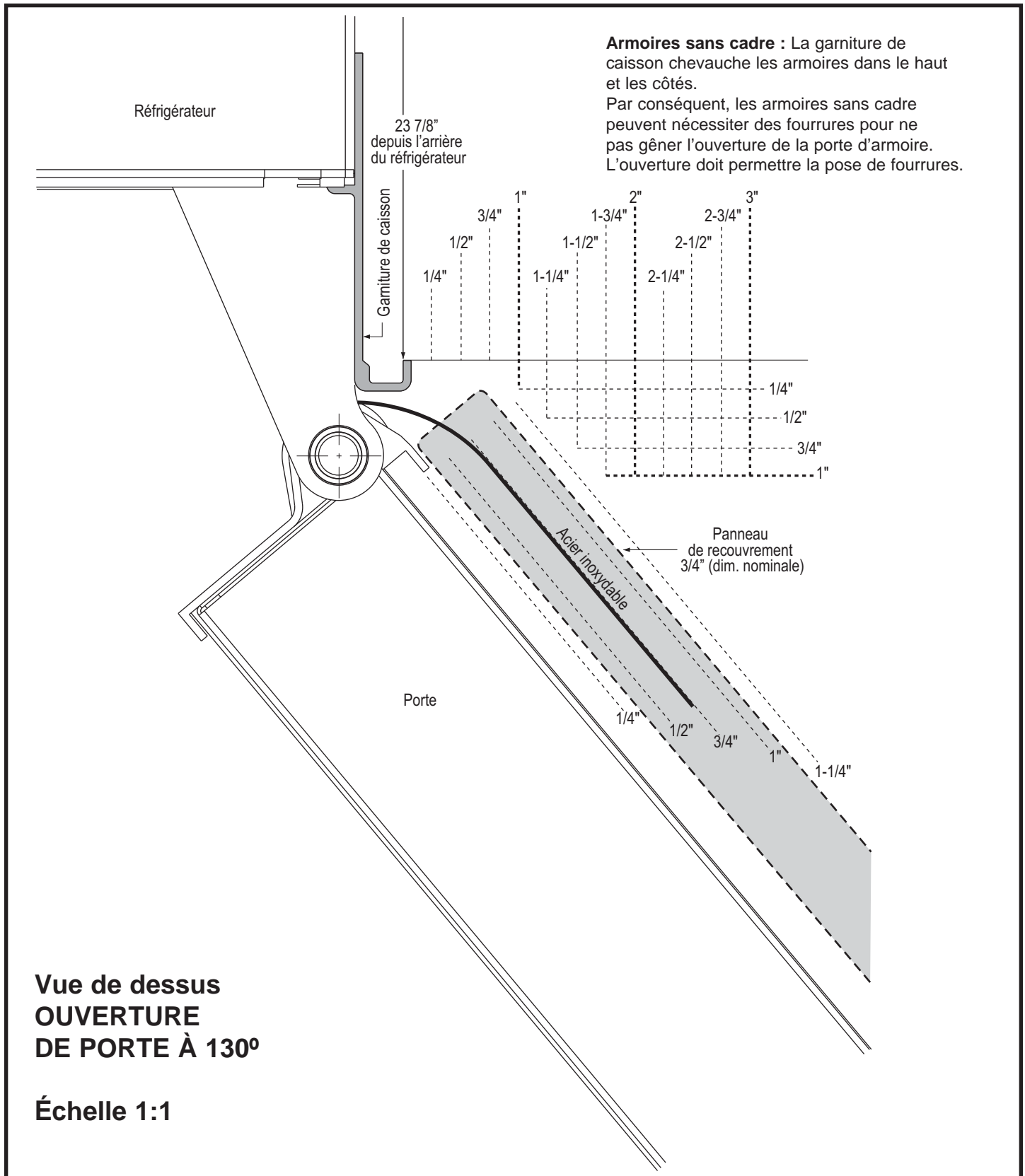
Dimensions du panneau de recouvrement

Panneau de fond 1/4 po (0,63 cm)	A (Larg.)	B (Haut.)
	69-7/8" (177.48 cm)	8-7/8" (22.54 cm)
0,10 po (0,25 cm) Panneau d'espacement	68-1/2" (97.79 cm)	7-5/8" (20 cm)
3/4 po (1,9 cm) Panneau de recouvrement	70-1/8" (178.12 cm)	9" (22.86 cm)

Assemblez les panneaux de recouvrement à la manière des panneaux de porte et de tiroir.



Guide de conception – Installation standard



Instructions d'installation - Standard Installation

OUTILS REQUIS

- Cisaille pour couper le cerclage
- Escabeau
- Seau
- Niveau
- Diable pour électroménagers
- Coupe-tuyau
- Clé ouverte 7/16 po
- Tournevis à tête cruciforme no 2
- Perceuse et forets appropriés
- Douille 5/16, 7/16 po
- Lunettes de protection
- Clé ouverte 1 1/4 po
- Pince
- Cliquet 1/4 po

QUINCAILLERIE FOURNIE

- Bouchon de dérivation de filtre
- Ferrures antibasculement
- Écrou et bague 1/4 po

MATÉRIEL REQUIS

- Support antibasculement 2x4, 35 po long
- Tuyau de cuivre 1/4 po pour conduite d'eau ou trousse SmartConnect™ pour réfrigérateur
- Robinet de sectionnement
- Panneaux personnalisés, panneaux de tiroir congélateur et de grille
- Vis pour fixer le réfrigérateur aux armoires
- Ruban autoagrippant adhésif pour panneaux latéraux 1/4 po (0,63 cm)

PLANCHER

Une installation correcte exige que le réfrigérateur soit placé sur la surface d'un matériau dur de niveau et de la même hauteur que le reste du plancher. Cette surface doit être suffisamment robuste pour supporter un réfrigérateur pleinement chargé, ou environ 1200 lb. (544,31 kg)

REMARQUE : Protégez le fini du plancher. Découpez une grande section de carton et placez-la sous le réfrigérateur à l'endroit où vous travaillez.

MISE À LA TERRE DU RÉFRIGÉRATEUR

⚠ AVERTISSEMENT  **Risque de choc électrique.**

Le non-respect de ces instructions peut entraîner des risques d'incendies, des chocs électriques ou la mort.

Le cordon d'alimentation de cet appareil est équipé d'une fiche à trois broches (pour une mise à la terre) qui s'adapte à la prise de courant standard à 3 broches (pour une mise à la terre) pour minimiser les risques de chocs électriques par cet appareil.

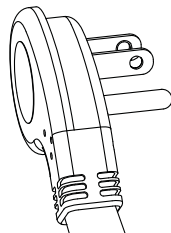
Faites vérifier la prise murale et le circuit électrique par un électricien qualifié pour s'assurer que le système est correctement mis à la terre.

Dans le cas d'une prise biphasée, l'installateur a la responsabilité et l'obligation de la remplacer par une prise triphasée correctement mise à la terre.

NE COUPEZ PAS OU N'ENLEVEZ PAS, SOUS AUCUN PRÉTEXTE, LA TROISIÈME BROCHE DE MISE À LA TERRE DU CORDON D'ALIMENTATION.

N'UTILISEZ PAS D'ADAPTATEUR POUR BRANCHER LE RÉFRIGÉRATEUR À UNE PRISE BIPHASÉE.

N'UTILISEZ PAS DE RALLONGE AVEC CET APPAREIL.



ÉTAPE 1 RETIRER L'EMBALLAGE

⚠ AVERTISSEMENT



Risque de

basculement Le réfrigérateur est beaucoup plus lourd en haut qu'en bas. Il faut être prudent lors des déplacements. Si un diable est utilisé, il faut soulever le réfrigérateur sur le côté seulement.

- Couper avec précaution le cerclage dans le haut et le bas, retirez le carton extérieur.
- Retirez les montants d'angle arrière (2) en les glissant.
- En le glissant, retirez le carton du haut de l'appareil.

REMARQUE : IL N'EST PAS NÉCESSAIRE DE DÉPOSER L'APPAREIL POUR RETIRER LE PATIN!

- L'appareil est fixé sur le patin à l'aide de 4 brides d'arrimage à fente. Retirez les six boulons 7/16 po des profilés de base dans les brides.

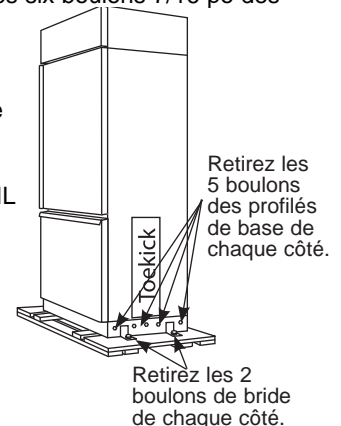
- Retirez les six boulons 7/16 po qui fixent les brides sur le patin.

REMARQUE : NE TENTEZ PAS DE ROULER L'APPAREIL HORS DU PATIN.

- Les blocs de support dans le bas du compartiment de réfrigération doivent être retirés avant que le réfrigérateur puisse être dégagé du patin, sinon il y a risque d'endommagement.

Penchez avec précaution le réfrigérateur et glissez les blocs vers l'extérieur depuis le dessous.

- Retirez le coup-de-pied et mettez-le de côté pour l'installation finale.
- Soulevez le réfrigérateur du patin à l'aide d'un diable pour électroménager. Manipulez depuis les côtés.



Instructions d'installation - Standard Installation

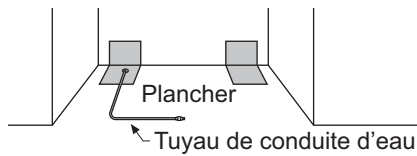
ÉTAPE 2 INSTALLER LA CONDUITE D'EAU

⚠ AVERTISSEMENT Raccordez l'appareil à une alimentation d'eau potable seulement. Une alimentation d'eau froide est requise pour faire fonctionner la machine à glaçons et le pichet à remplissage automatique. La pression d'eau doit se situer entre 40 et 120 psi. (275 à 827 kPa).

⚠ AVERTISSEMENT  **RISQUE DE DÉCHARGE ÉLECTRIQUE**

Fixez le collier de serrage dans le trou présent seulement. NE PERCEZ PAS dans le réfrigérateur.

- Une alimentation d'eau froide est requise pour faire fonctionner la machine à glaçons automatique. La pression d'eau doit se situer entre 40 et 120 psi (275 à 827 kPa).
- Acheminez le tuyau de cuivre 1/4 po (D.E.) ou le tuyau plastique SmartConnect™ entre la conduite d'eau froide du domicile et le raccord d'eau.
- Le tuyau doit être suffisamment long pour atteindre le devant de l'appareil. Prévoyez une longueur de tuyau suffisante pour la courbe menant au raccord de la conduite d'eau.



REMARQUE : Les seuls tuyaux en plastique approuvés par Monogram sont ceux inclus dans les trousse de tuyaux pour réfrigérateur SmartConnect™. N'utilisez pas d'autres tuyaux d'alimentation d'eau en plastique car ils seront sous pression constamment. D'autres types de plastique peuvent se fissurer ou se rompre avec le temps et occasionner des dégâts d'eau dans votre domicile.

Les trousse de tuyau pour réfrigérateur SmartConnect™ sont offertes dans les longueurs suivantes :

- 2' (.6 m) - WX08X10002
- 8' (2.4 m) - WX08X10006
- 15' (4.6 m) - WX08X1 0015
- 25' (7.6 m) - WX08X10025

Fermez l'alimentation d'eau principale.

Ouvrez le robinet le plus près suffisamment longtemps pour nettoyer la conduite d'eau.

- Installez un robinet de sectionnement entre le robinet d'eau de la machine à glaçons et le tuyau d'eau froide dans le sous-sol ou une armoire. Le robinet de sectionnement doit être situé à un endroit aisément accessible.
- Ouvrez l'alimentation d'eau principale et rincez les débris. Faites couler environ un litre d'eau à travers le tuyau aboutissant dans un seau. Coupez l'alimentation d'eau au robinet de sectionnement.

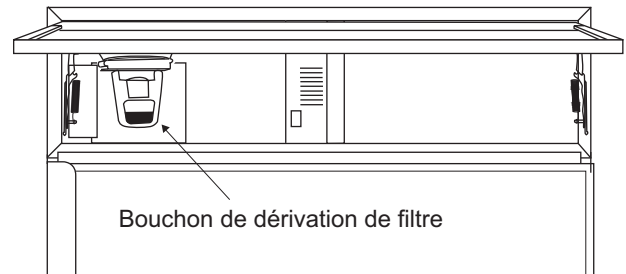
REMARQUE : Des robinet de sectionnement à étrier sont inclus dans plusieurs trousse d'alimentation d'eau, mais ils ne sont pas recommandés pour cette application.

REMARQUE : Les codes de plomberie 248CMR du Commonwealth du Massachusetts doivent être satisfaits. Les robinets à étrier sont illégaux et leur utilisation prohibée dans le Massachusetts. Consultez votre plombier agréé.

ÉTAPE 2A INSTALLATION DE LA CONDUITE D'EAU AVEC SYSTÈME D'OSMOSE INVERSE OU AUTRE SYSTÈME DE FILTRATION DOMESTIQUE

Passez cette étape si vous n'utilisez pas de système d'osmose inverse ou de système de filtration domestique

Si l'alimentation en eau de votre réfrigérateur provient du système de filtration domestique, utilisez le bouchon de dérivation de filtre du réfrigérateur. L'utilisation de la cartouche de filtrage d'eau du réfrigérateur avec un osmoseur peut produire des glaçons creux.



ÉTAPE 3 INSTALLER LES PANNEAUX LATÉRAUX

Sautez cette étape si vous n'utilisez pas de panneaux latéraux. Si vous utilisez des panneaux latéraux 1/4 po (0,63 cm), il faut les insérer dans la garniture de caisson. Fixez les panneaux sur le réfrigérateur à l'aide de ruban autoagrippant adhésif avant de mettre le réfrigérateur en place.

Instructions d'installation - Standard Installation

ÉTAPE 4 DISPOSITIF ANTIBASCULEMENT

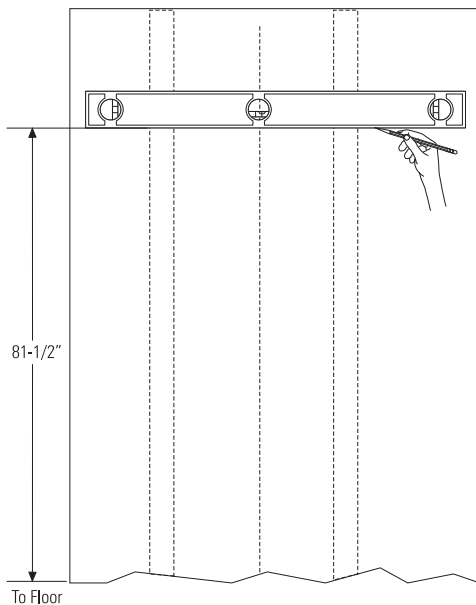
⚠ AVERTISSEMENT



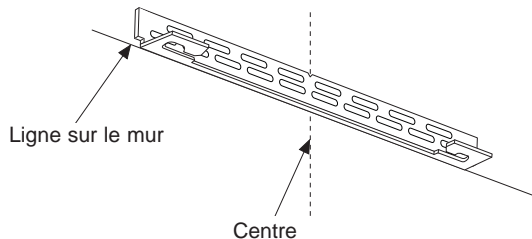
Risque de

basculement Ces réfrigérateurs présentent une partie supérieure lourde, en particulier avec une porte ouverte; ils doivent donc être fixés pour prévenir le basculement vers l'avant et le risque concomitant de blessure grave ou fatale. Lisez et suivez les instructions d'installation complètes pour l'installation du système anti-basculement.

- La trousse fournie avec l'appareil contient 2 tirefonds et 4 orifices filetés à ailettes avec boulons. Le support mural sera fixé au mur à 4 endroits.
- Mesurez l'ouverture où l'appareil sera installé. Marquez une ligne verticale au centre.

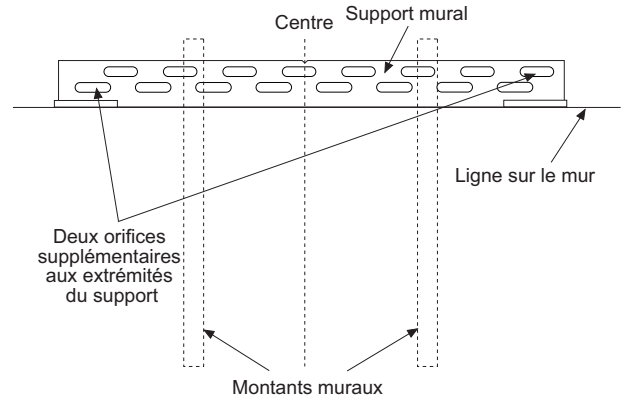


- Mesurez 81 1/2 po (207,01 cm) depuis le plancher. Marquez ce point sur le mur.
- À l'aide d'un niveau, tracez une ligne horizontale sur le mur à cette hauteur.
- Repérez au moins 2 montants sur le mur arrière. Marquez ces points sur la ligne horizontale.
- Placez le bas du support mural avec ses languettes sur la ligne horizontale. Alignez l'encoche centrale du support sur la ligne de centre sur le mur.



- Le support mural antibasculement est doté d'une série de trous. Identifiez 2 trous vis-à-vis les montants repérés. Assurez-vous que les trous identifiés se situent au centre des montants.

- Marquez un trou supplémentaire à chaque extrémité du support. Si l'un des montants se trouve plus près de l'extrémité du support, marquez un trou supplémentaire vers le centre.

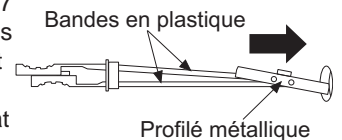


- Percez des trous de 1/2 po (1,27 cm) dans le panneau mural aux marques des points de montage des orifices à ailettes (et non aux marques des montants muraux).
- Percez des trous 3/16 po (0,47 cm) dans les montants en bois aux marques. Si les montants sont en métal, percez des trous de 1/2 po dans les montants aux marques. Vous utiliserez 2 orifices à ailettes pour boulons avec les montants métalliques.

Posez les orifices à ailettes :

Pour se procurer les orifices à ailettes avec leurs boulons, on peut commander la trousse de réparation no WR49X10193. Les orifices à ailettes sont posés dans la cloison sèche et les montants métalliques à des fins de stabilité. Posez les orifices à ailettes comme suit :

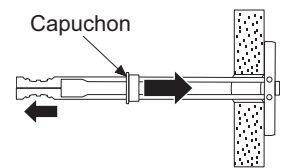
- Percez des trous de 1/2 po (1,27 cm) aux marques faites dans les trous aux extrémités du support mural.



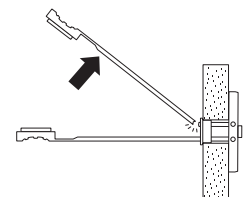
- Tenez le profilé métallique à plat contre les bandes en plastique et glissez le profilé dans le trou.

- Tirez délicatement les extrémités des bandes en plastique pour appuyer le profilé à plat derrière le mur

- Tenez les extrémités des bandes avec une main et glissez le capuchon en plastique le long des bandes jusqu'à ce que le rebord du capuchon soit à égalité avec le mur.



- Placez votre pouce entre les bandes en plastique et pliez vers le haut et le bas pour sectionner les bandes hors du mur.

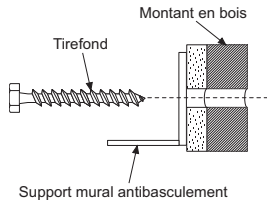


Instructions d'installation - Standard Installation

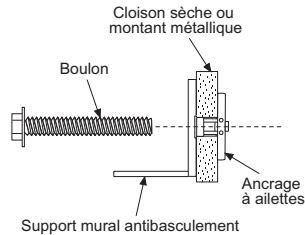
ÉTAPE 4 DISPOSITIF ANTIBASCULEMENT (suite)

Poser les vis et les boulons :

- Demandez à une personne de tenir le support mural centré et bien en place, chaque trou aligné sur la fente appropriée du support, de niveau avec la ligne horizontale.



- Insérez les tirefonds à travers le support et le montant. Serrez avec une clé.



BRANCHER LE CORDON D'ALIMENTATION :

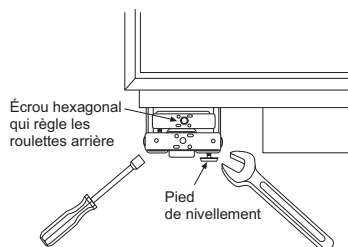
- Avant de pousser le réfrigérateur dans l'ouverture, branchez le cordon électrique dans la prise. Ouvrez le panneau de grille sur la gauche et prenez le cordon électrique à l'arrière de l'ouverture. Tirez le cordon dans l'ouverture à mesure que vous repoussez le réfrigérateur.
- Poussez avec soin le réfrigérateur dans l'ouverture avec les mains sur les coins frontaux.

IMPORTANT : Lorsque le réfrigérateur est installé en-dessous d'un soffite, ou si la hauteur n'est pas suffisante pour cette méthode de sécurité, on ne peut pas utiliser de supports. Allez à l'étape 6 pour mettre le réfrigérateur de niveau puis à l'étape 8 pour le fixer aux armoires. Voyez l'étape 9 en présence de montants muraux métalliques. Le réfrigérateur doit être fixé afin de prévenir le basculement.

ÉTAPE 5 METTRE LE RÉFRIGÉRATEUR DE NIVEAU

Tous les modèles sont dotés de 4 points de nivellement. Le devant est supporté par des pieds de nivellement; l'arrière par des roulettes réglables. Les deux types sont accessibles depuis le devant du réfrigérateur.

- Pour niveler l'arrière du réfrigérateur, tournez l'écrou hexagonal 7/16 po situé au dessus des roulettes avant. Tournez dans le sens des aiguilles pour lever l'appareil, dans le sens inverse pour le baisser.



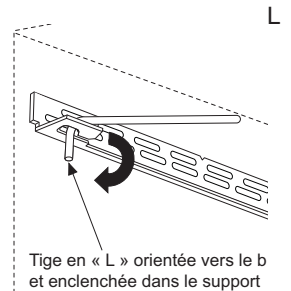
ÉTAPE 5 DISPOSITIF ANTIBASCULEMENT (suite)

- Pour niveler le devant, utilisez une clé ouverte 1 1/4 po (3,175 cm).
- Ajustez la hauteur du réfrigérateur pour l'adapter à l'ouverture de 83 1/2 po (212,09 cm) à 84 1/2 po (214,63 cm). Le réfrigérateur doit être de niveau et aplombé aux armoires.

Les roulettes de nivellement arrière et les pieds de nivellement avant sont limités à une hauteur de réglage maximale de 1 po. Si l'installation exige une hauteur supérieure à 84 1/2 po, l'installateur doit surélever l'appareil sur une feuille de contreplaqué ou des rails. On peut aussi ajouter une garniture d'armoire dans le haut de l'ouverture pour raccourcir celle-ci. Une tentative de lever le réfrigérateur de plus de 1 po (2,54 cm) endommagera les pieds de nivellement avant et les roulettes de nivellement arrière.

ÉTAPE 6 FIXER L'APPAREIL AU MUR

- La tige en « L » se trouve dans le coin supérieur gauche de l'appareil dans le compartiment d'accès. Regardez dans le compartiment d'accès pour vous assurer que la tige s'aligne sur le support antibasculement.
- Deux rondelles et une goupille bêta accompagnent la tige. Retirez les rondelles et la goupille de l'extrémité de la tige.
- Tournez et déplacez la tige en « L » dans la fente de la languette du support antibasculement. Une fois dans la fente, tournez la tige en « L » de façon que son crochet pointe vers le bas. Les trous à l'extrémité avant de la tige doivent être en position verticale.
- Tirez sur l'extrémité de la tige pour vous assurer qu'elle est bien fixée dans le support.
- Repérez le trou dans la tige qui se trouve au plus près de l'appareil. Une goupille bêta sera insérée dans ce trou pour verrouiller la tige. Si ce trou semble trop loin pour assurer un bon ajustement contre l'appareil, ajoutez une rondelle à la fois jusqu'à ce que la goupille soit bien ajustée dans le trou.

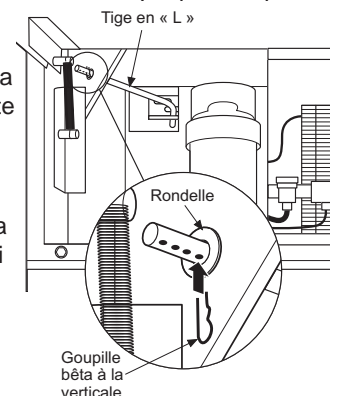


- Alignez la section droite de la goupille sur le trou du dessous de la tige. Poussez la goupille vers le haut jusqu'à ce qu'elle s'enclenche en position.

Une pince peut être utilisée.

REMARQUE : La goupille bêta doit être verticale une fois cette étape achevée pour s'assurer que la tige en « L » est bien enclenchée dans le support.

- Vérifiez le bon ajustement de la tige en la tirant vers l'avant. Si elle bouge, retirez la goupille bêta et placez une autre rondelle sur la tige. Réinsérez la goupille.



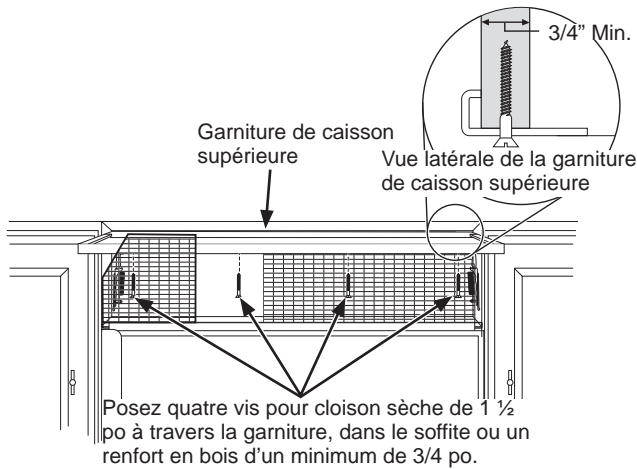
Instructions d'installation - Standard Installation

ÉTAPE 7 AUTRES DISPOSITIFS ANTIBASCULEMENT

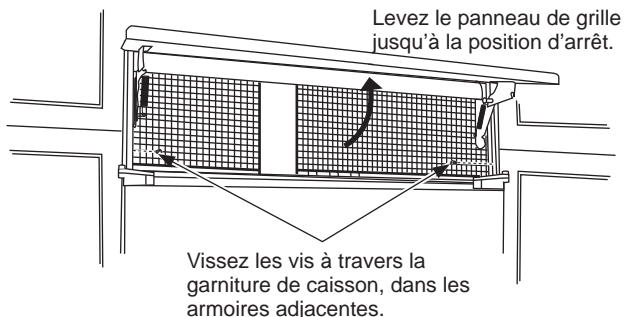
Le réfrigérateur doit être fixé afin de prévenir le basculement.

S'il est impossible d'utiliser le support antibasculement, on peut recourir à cette autre méthode pour empêcher le réfrigérateur de basculer.

- Soulevez le panneau de grille pour accéder à la garniture de caisson.
- Utilisez un foret 3/16 po pour percer quatre trous de dégagement uniformément espacés à travers la garniture de caisson supérieure.



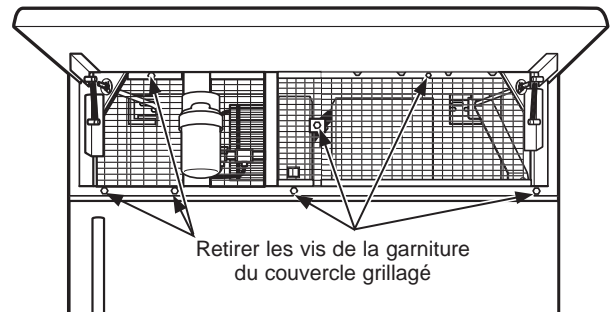
- Utilisez un foret 1/16 po pour percer des trous de guidage à travers les trous de dégagement métalliques, dans le soffite en bois. Les trous doivent être centrés dans le soffite ou un renfort en bois d'un minimum de 3/4 po. Le renfort sur la largeur de l'ouverture doit être fixé solidement dans les armoires des deux côtés.
- Posez quatre vis pour cloison sèche de 1 1/2 po (3,81 cm) dans les trous de guidage.
- En l'absence de soffite au dessus de l'appareil, vissez des vis dans les armoires adjacentes, à travers la garniture de caisson latérale.



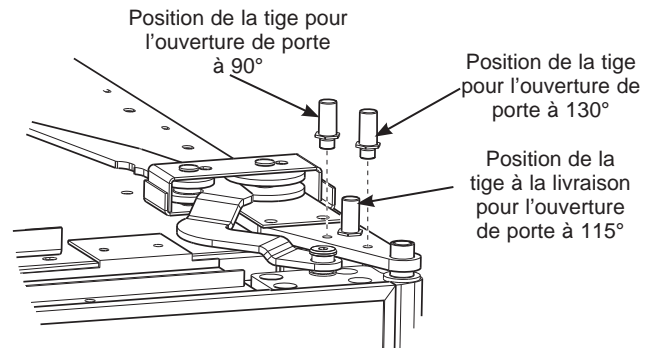
ÉTAPE 8 AJUSTER L'OUVERTURE DE PORTE

REMARQUE : Ce réfrigérateur est doté d'une butée de porte à 3 positions. Lorsque l'espace est insuffisant pour une ouverture de porte complète à 115°, on peut ramener l'ouverture à 90°. Une ouverture à 130° est offerte pour l'installation standard seulement. Si elle est utilisée pour une installation affleurante, les panneaux en bois seront endommagés. **Sautez cette étape si l'ouverture de porte est satisfaisante pour votre installation.**

- Soulevez le panneau de grille pour accéder à la garniture du couvercle grillagé.



- Retirez les vis des deux côtés de la garniture du couvercle grillagé et faites pivoter pour dégager.

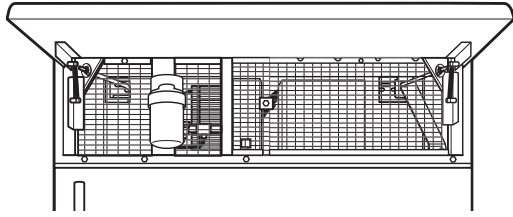


- Utilisez une pince pour dévisser la butée de porte puis réinstallez à la position 90° ou 130°.
- Réinstallez la garniture de couvercle grillagé.

Instructions d'installation - Standard Installation

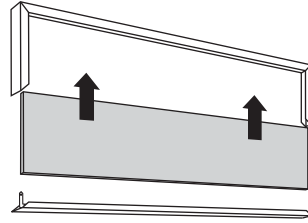
ÉTAPE 9 INSTALLER LE PANNEAU DE GRILLE

- Levez le panneau d'accès jusqu'à la position d'arrêt.



- Desserrez les vis sur la garniture latérale derrière le cadre. Retirez la garniture inférieure.
- Glissez le panneau par-dessus le panneau de fond métallique et dans la garniture.

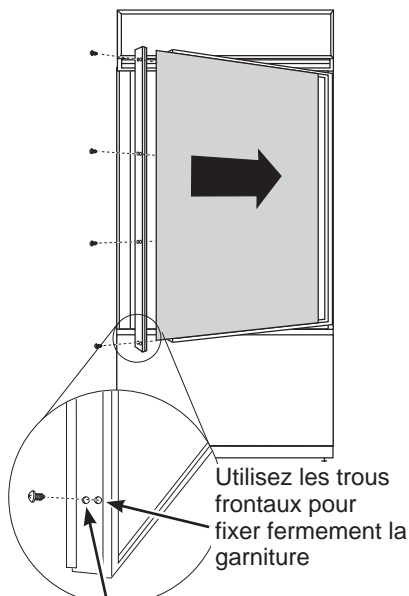
- Si nécessaire, tapotez avec un bloc de bois jusqu'à ce que le panneau glisse sous la garniture supérieure.



- Réassemblez la garniture inférieure. Serrez les vis.
- Réglez le ressort de charnière selon le poids du panneau, si nécessaire.

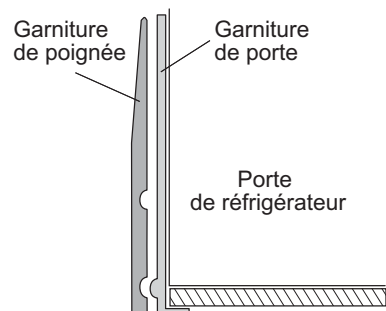
ÉTAPE 10 INSTALLER LES PANNEAUX ENCADRÉS 1/4 po (0,63 cm)

Modèles à ouverture à droite illustrés. Utilisez les mêmes instructions pour les modèles à ouverture vers la gauche.
SI VOUS INSTALLEZ DES PANNEAUX DE RECOUVREMENT, ALLEZ À L'ÉTAPE 10A.

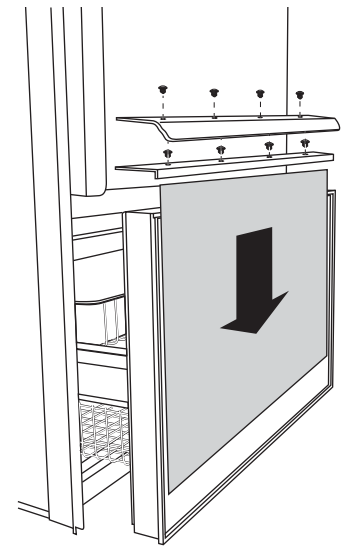


Utilisez les trous frontaux pour fixer fermement la garniture

Utilisez les trous arrière pour fixer fermement l'ensemble de poignée facultative SKLN (non montré)



Poignée à visière facultative de l'ensemble ZKLN montrée



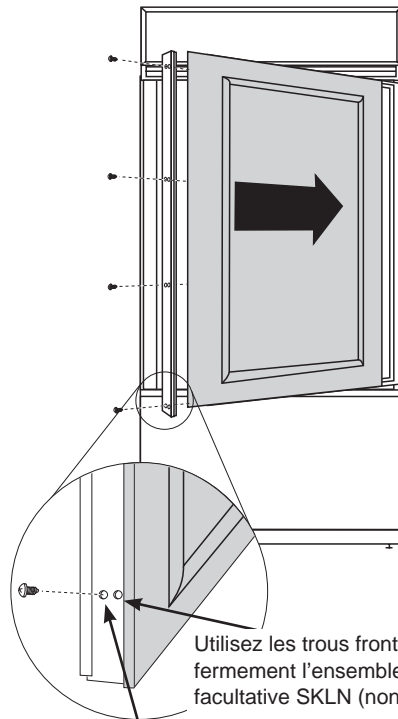
Installer les panneaux de porte et de tiroir :

- Ouvrez la porte à 90°.
- Retirez les 4 vis qui fixent la garniture, soulevez la garniture pour la dégager. Conservez les vis.
- Glissez le panneau encadré dans la garniture de porte.
- La garniture côté poignée comporte deux ensembles de trous. Remplacez la garniture côté poignée en posant les vis d'origine dans les trous de vis AVANT.
- Suivez la même procédure pour installer le panneau de tiroir.

Instructions d'installation - Standard Installation

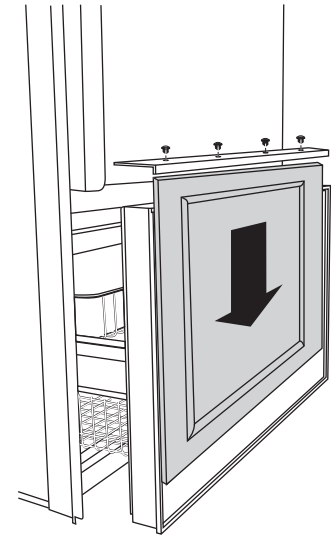
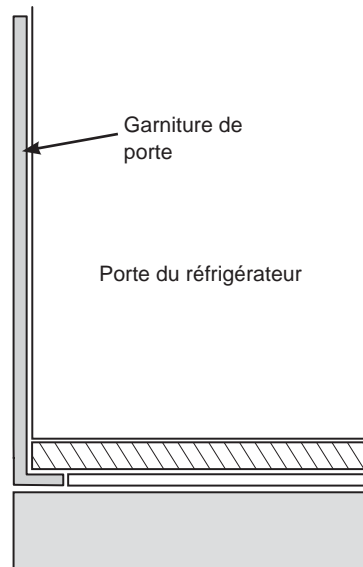
ÉTAPE 10A INSTALLER LES PANNEAUX DE RECOUVREMENT

Modèles à ouverture à droite illustrés. Utilisez les mêmes instructions pour les modèles à ouverture vers la gauche.



Utilisez les trous arrière pour fixer fermement la garniture

Utilisez les trous frontaux pour fixer fermement l'ensemble de poignée facultative SKLN (non montré)



Installer les panneaux de porte et de tiroir :

- Ouvrez la porte à 90°.
- Retirez les 4 vis qui fixent la garniture, soulevez la garniture pour la dégager. Conservez les vis.
- Glissez le panneau de recouvrement dans la garniture de porte.

- La garniture côté poignée comporte deux ensembles de trous. Remplacez la garniture côté poignée en posant les vis d'origine dans les trous de vis ARRIÈRE.
- Suivez la même procédure pour installer le panneau de tiroir.

Poignées personnalisées

Si vous utilisez des poignées personnalisées, la poignée doit être fixée correctement sur le panneau avant de glisser le panneau dans la garniture.

- Le fabricant d'armoire fournira la poignée personnalisée et sa visserie.
- Fixez la garniture de porte/tiroir en utilisant les trous de vis AVANT et ARRIÈRE. Vous pouvez vous départir de la poignée fournie.

Instructions d'installation - Standard Installation

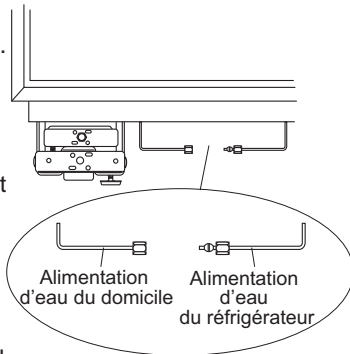
ÉTAPE 11 RACCORDEMENT DE L'ALIMENTATION D'EAU

⚠ AVERTISSEMENT Raccordez l'appareil à une alimentation d'eau potable seulement. Une alimentation d'eau froide est requise pour faire fonctionner la machine à glaçons et le pichet à remplissage automatique. La pression d'eau doit se situer entre 40 et 120 psi. (275 à 827 kPa).

⚠ AVERTISSEMENT  RISQUE DE DÉCHARGE ÉLECTRIQUE

Fixez le collier de serrage dans le trou présent seulement. NE PERCEZ PAS dans le réfrigérateur.

- Repérez et acheminez le tuyau à l'avant de l'armoire.
- Ouvrez l'alimentation d'eau pour rincer les débris de la conduite. Faites couler environ un litre d'eau à travers le tuyau aboutissant dans un seau, puis fermez l'alimentation d'eau.



Tuyau de cuivre :

- Enfilez un écrou 1/4 po et une bague d'extrémité (fournis) aux deux bouts du tuyau de cuivre. Insérez le tuyau dans le raccord union sur l'appareil et serrez l'écrou sur le raccord union.
- Ouvrez l'alimentation d'eau pour vérifier l'absence de fuites.

Tuyau SmartConnect™ :

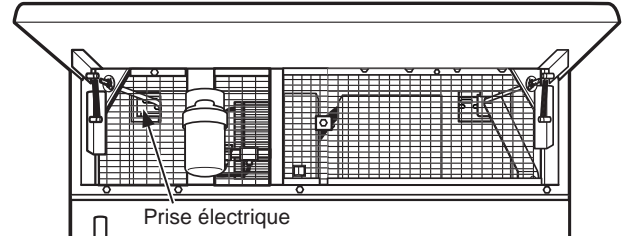
REMARQUE : Les seuls tuyaux en plastique approuvés par Monogram sont ceux inclus dans les trousse de tuyaux pour réfrigérateur SmartConnect™. N'utilisez pas d'autres tuyaux d'alimentation d'eau en plastique car ils seront sous pression constamment. D'autres types de plastique peuvent se fissurer ou se rompre avec le temps et occasionner des dégâts d'eau dans votre domicile.

- Insérez l'extrémité moulée du tube dans le raccord du réfrigérateur. Serrez l'écrou à compression à la main.
- Serrez ensuite d'un tour supplémentaire avec une clé. Un serrage excessif peut causer des fuites!
- Ouvrez l'alimentation d'eau pour vérifier l'absence de fuites.

REMARQUE : Assurez-vous que la longueur de tuyau excédentaire ne gêne pas la fermeture du tiroir ou l'installation du coup-de-pied.

ÉTAPE 12 BRANCHER L'ALIMENTATION ÉLECTRIQUE

- Assurez-vous que le cordon électrique est branché dans la prise.



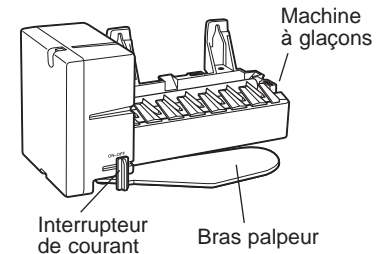
- Assurez-vous que l'électricité alimente le réfrigérateur en ouvrant la porte pour voir si les lampes sont allumées.
- Les commandes de température sont pré réglées à 37 °F (2,78 °C) pour le compartiment réfrigérateur et 0 °F (-17,78 °C) pour le congélateur.
- Allouez 24 heures pour stabiliser la température avant de faire des réglages.

ÉTAPE 13 DÉMARRER LA MACHINE À GLAÇONS

⚠ ATTENTION

Évitez tout contact avec les pièces mobiles du mécanisme d'éjection, ou l'élément chauffant (situé dans le bas de la machine à glaçons) qui libère les glaçons. Ne placez pas les doigts ou les mains sur le mécanisme de production de glace automatique lorsque le congélateur est branché dans la prise électrique.

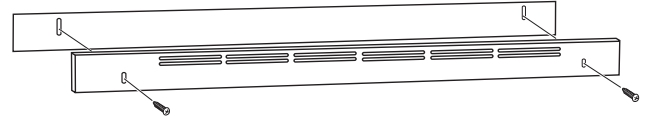
- La machine à glaçons commencera à fonctionner automatiquement. Assurez-vous que rien ne gêne le mouvement du bras palpeur.



- Jetez le premier seau plein de glaçons.
- Pour mettre la machine à glaçons hors tension, glissez l'interrupteur à la position O (OFF).

ÉTAPE 14 INSTALLER LE COUP-DE-PIED

- Repérez les coups-de-pied fournis (fixés au côté du réfrigérateur à la livraison).
- Installez l'assemblage de coups-de-pied à l'aide des 2 vis fournies, ajustez à la hauteur désirée et serrez les vis.



IMPORTANT : On peut installer un coup-de-pied personnalisé pour s'agencer avec les armoires environnantes mais il ne peut PAS recouvrir les orifices de ventilation horizontaux du coup-de-pied installé à l'usine.

Instructions pour une installation affleurante

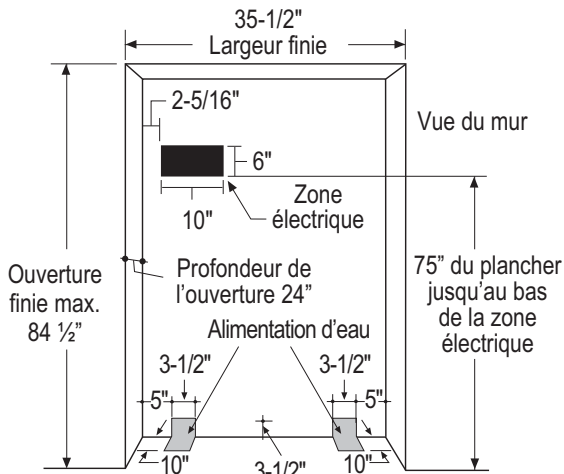
ENSEMBLE D'ENCADREMENT ZKFN REQUIS

L'ensemble d'encadrement comprend les instructions d'installation, les coup-de-pieds modifiés, l'assemblage de boîtier et d'autres composants requis .

Instructions pour une installation en acier inoxydable

Guide de conception – Installation en acier inoxydable

L'ESPACE D'INSTALLATION



Emplacements des alimentations d'eau et électrique.

Les alimentations d'eau et électrique doivent se situer comme illustré.

La profondeur de l'ouverture doit mesurer 24 po (60,96 cm)

Le réfrigérateur se projettera vers l'avant, légèrement au-delà des armoires adjacentes, selon le type de votre installation. Allouez un espace d'air minimal de 1/8 po (0,32 cm) entre l'arrière du caisson et le mur.

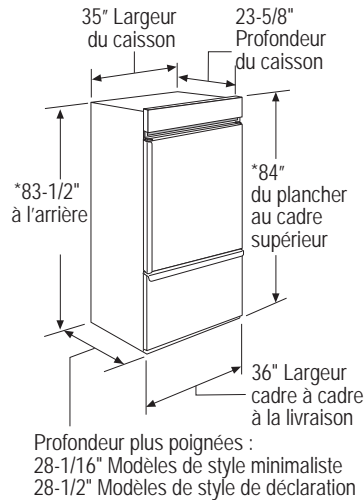
Profondeur de l'ouverture en dessous d'un soffite :

Si l'installation s'effectue sous un soffite, celui-ci ne peut dépasser la profondeur de l'installation de 24" (60,96 cm) illustrée. La garniture de caisson supérieure chevauche le bas du soffite.

Spécifications supplémentaires

- Une alimentation électrique de 115 volts, 60Hz, 15 ou 20 ampères est requise. Un circuit de dérivation ou un disjoncteur distinct correctement mis à la terre sont recommandés. Installez une prise électrique à trois alvéoles correctement mise à la terre encastrée dans le mur arrière. Le câblage électrique doit se situer sur le mur arrière comme illustré.
- La conduite d'eau peut pénétrer dans l'ouverture à travers le plancher ou le mur arrière. Acheminez la trousse SmartConnect™ ou un tuyau de cuivre de 1/4 po (D.E.) entre la conduite d'eau froide et le lieu du raccord d'eau. Le tuyau doit être suffisamment long pour atteindre le devant de l'appareil. L'installation d'un robinet de sectionnement aisément accessible est requise.

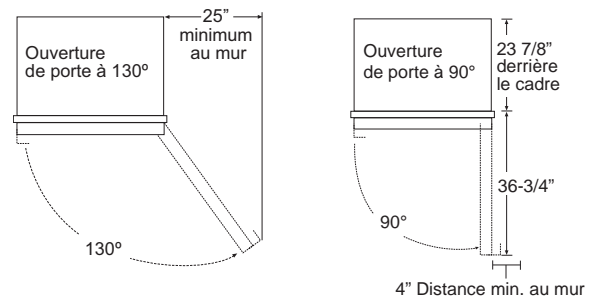
DIMENSIONS ET DÉGAGEMENTS



* Hauteur à la livraison. On peut ajuster le réfrigérateur pour le placer dans une ouverture de 84 1/2 po (214,63 cm) de hauteur max. Notez que la garniture de caisson supérieure sur le devant est plus haute de 1/2 po (1,27 cm) et qu'elle chevauchera l'armoire supérieure ou le soffite. Utilisez les pieds de nivellement et les roulettes pour un ajustement maximal en hauteur de 1 po (2,54 cm).

Dégagements du produit

Ces réfrigérateurs sont dotés d'une butée à 3 positions. L'ouverture de porte de 115° réglée à l'usine peut s'ajuster à 90° si le dégagement aux armoires ou aux murs adjacents est restreint.

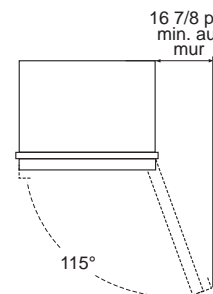


Allouez un dégagement minimal de 23 7/8 po (60,64 cm) pour une ouverture complète à 130°. Allouez 15 po (38,1 cm) pour le retrait du plateau.

Dans le cas d'une ouverture de porte à 90°, allouez un dégagement minimal de 4 9/16 po (11,59 cm) jusqu'au mur. Si l'on utilise la position à 90°, l'accès au plateau est maintenu mais son retrait est restreint.

Voyez l'illustration à la page 22 pour déterminer l'impact de l'ouverture de porte sur les armoires ou les comptoirs adjacents.

Ouverture de porte à 115°



Guide de conception – Installation en acier inoxydable

RENSEIGNEMENTS SUR LA PERSONNALISATION :

Réfrigérateurs enveloppés d'acier inoxydable

Ces réfrigérateurs sont dotés de portes, d'un panneau de grille, de bords biseautés et de poignées tubulaires en acier inoxydable qui s'agencent avec les autres électroménagers Monogram. Ces modèles sont prêts pour l'installation à la livraison. Ces modèles ne comprennent pas les poignées.



Statement Handle
ZKSB2H2PNSS



Minimalist Handle
ZKSB2H2CNSS

*Poignées en option – Lors de la commande de ce produit, assurez-vous d'utiliser le numéro de modèle associé à la poignée choisie.

TROUSSES D'ACCESSOIRES EN OPTION

- ZKBSN720SS : Ensemble d'agencement pour l'intégration de deux modèles en acier inoxydable installés côte-à-côte.

EMPLACEMENT DU RÉFRIGÉRATEUR

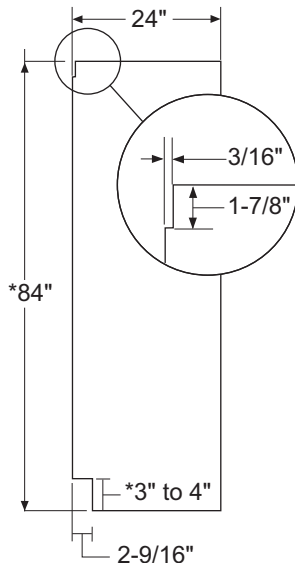
- N'installez pas le réfrigérateur à un endroit où la température peut descendre en dessous de 55 °F (13 °C). L'appareil ne fonctionnera pas suffisamment souvent pour maintenir les températures appropriées.
- N'installez pas le réfrigérateur/congélateur à un endroit où la température monter au-delà de 100 °F (37 °C). L'appareil ne fonctionnera pas correctement.
- N'installez pas le réfrigérateur dans un endroit exposé à l'eau (pluie, etc.) ou aux rayons directs du soleil.
- À cet endroit, le plancher doit pouvoir supporter le poids du réfrigérateur pleinement chargé.

PANNEAUX LATÉRAUX

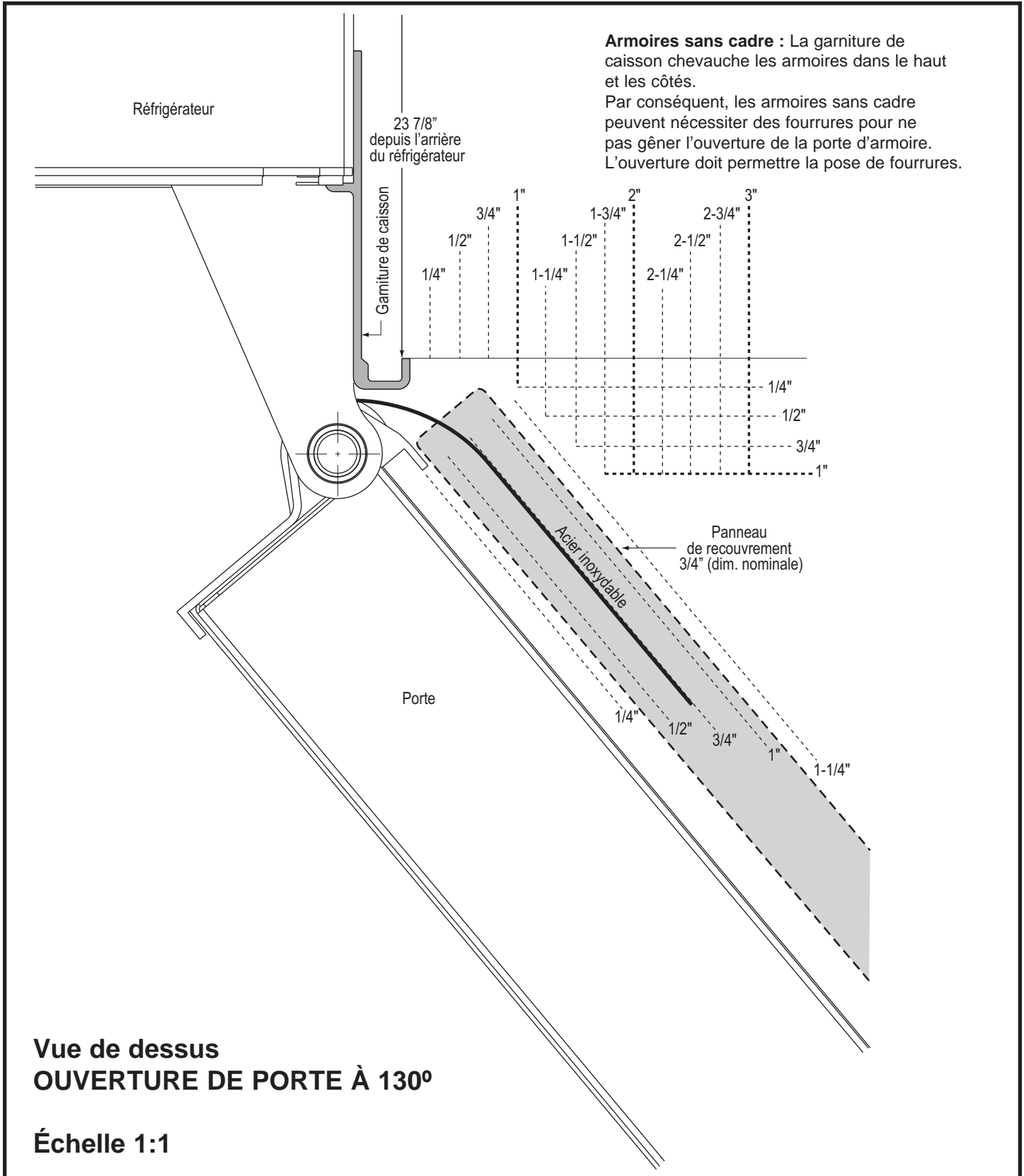
On doit utiliser des panneaux latéraux si les côtés du réfrigérateur sont exposés. Les panneaux latéraux de 1/4 po (0,63 cm) vont glisser dans la garniture latérale de caisson. Attachez les panneaux sur le réfrigérateur à l'aide de ruban autoagrippant (velcro). Commandez les panneaux latéraux auprès du fabricant d'armoires.

- Découpez une encoche dans le coin supérieur avant comme illustré pour le dégagement des clavettes d'angle dans la garniture latérale avant.

* Selon la hauteur de l'installation.



Guide de conception – Installation en acier inoxydable



Instructions d'installation - Installation en acier inoxydable

OUTILS REQUIS

- Cisaille pour couper le cerclage
- Escabeau
- Seau
- Niveau
- Diable pour électroménagers
- Coupe-tuyau
- Clé ouverte 7/16 po
- Tournevis à tête cruciforme no 2
- Perceuse et forets appropriés
- Douille 5/16, 7/16 po
- Lunettes de protection
- Clé ouverte 1 1/4 po
- Pince
- Cliquet 1/4 po

QUINCAILLERIE FOURNIE

- Bouchon de dérivation de filtre
- Ferrures antibasculement
- Écrou et bague 1/4 po

MATÉRIEL REQUIS

- Support antibasculement 2x4, 35 po long
- Tuyau de cuivre 1/4 po pour conduite d'eau ou trousse SmartConnect™ pour réfrigérateur
- Robinet de sectionnement
- Panneaux personnalisés, panneaux de tiroir congélateur et de grille
- Vis pour fixer le réfrigérateur aux armoires
- Ruban autoagrippant adhésif pour panneaux latéraux 1/4 po (0,63 cm)

PLANCHER

Une installation correcte exige que le réfrigérateur soit placé sur la surface d'un matériau dur de niveau et de la même hauteur que le reste du plancher. Cette surface doit être suffisamment robuste pour supporter un réfrigérateur pleinement chargé, ou environ 1200 lb. (544,31 kg)

REMARQUE : Protégez le fini du plancher. Découpez une grande section de carton et placez-la sous le réfrigérateur à l'endroit où vous travaillez.

MISE À LA TERRE DU RÉFRIGÉRATEUR

⚠ AVERTISSEMENT



Risque de choc électrique.

Le non-respect de ces instructions peut entraîner des risques d'incendies, des chocs électriques ou la mort.

Le cordon d'alimentation de cet appareil est équipé d'une fiche à trois broches (pour une mise à la terre) qui s'adapte à la prise de courant standard à 3 broches (pour une mise à la terre) pour minimiser les risques de chocs électriques par cet appareil.

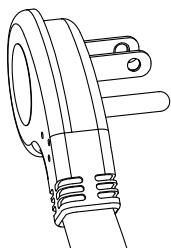
Faites vérifier la prise murale et le circuit électrique par un électricien qualifié pour s'assurer que le système est correctement mis à la terre.

Dans le cas d'une prise biphasée, l'installateur a la responsabilité et l'obligation de la remplacer par une prise triphasée correctement mise à la terre.

NE COUPEZ PAS OU N'ENLEVEZ PAS, SOUS AUCUN PRÉTEXTE, LA TROISIÈME BROCHE DE MISE À LA TERRE DU CORDON D'ALIMENTATION.

N'UTILISEZ PAS D'ADAPTATEUR POUR BRANCHER LE RÉFRIGÉRATEUR À UNE PRISE BIPHASÉE.

N'UTILISEZ PAS DE RALLONGE AVEC CET APPAREIL.



ÉTAPE 1 RETRAIT DE L'EMBALLAGE

⚠ AVERTISSEMENT



Risque de basculement

Le réfrigérateur est beaucoup plus lourd en haut qu'en bas. Il faut être prudent lors des déplacements. Si un diable est utilisé, il faut soulever le réfrigérateur sur le côté seulement.

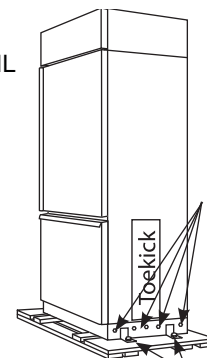
- Couper avec précaution le cerclage dans le haut et le bas, retirez le carton extérieur.
- Retirez les montants d'angle arrière (2) en les glissant.
- En le glissant, retirez le carton du haut de l'appareil.

REMARQUE : IL N'EST PAS NÉCESSAIRE DE DÉPOSER L'APPAREIL POUR RETIRER LE PATIN!

- L'appareil est fixé sur le patin à l'aide de 4 brides d'arrimage à fente. Retirez les six boulons 7/16 po des profilés de base dans les brides.
- Retirez les six boulons 7/16 po qui fixent les brides sur le patin.

REMARQUE : NE TENTEZ PAS DE ROULER L'APPAREIL HORS DU PATIN.

- Les blocs de support dans le bas du compartiment de réfrigération doivent être retirés avant que le réfrigérateur puisse être dégagé du patin, sinon il y a un risque d'endommagement. Penchez avec précaution le réfrigérateur et glissez les blocs vers l'extérieur depuis le dessous.



Retirez les 5 boulons des profilés de base de chaque côté.

Retirez les 2 boulons de bride de chaque côté.

- Retirez le coup-de-pied et mettez-le de côté pour l'installation finale.
- Soulevez le réfrigérateur du patin à l'aide d'un diable pour électroménager. Manipulez depuis les côtés.

Instructions d'installation - Installation en acier inoxydable

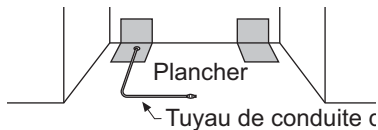
ÉTAPE 2 INSTALLER LA CONDUITE D'EAU

⚠ AVERTISSEMENT Raccordez l'appareil à une alimentation d'eau potable seulement. Une alimentation d'eau froide est requise pour faire fonctionner la machine à glaçons et le pichet à remplissage automatique. La pression d'eau doit se situer entre 40 et 120 psi. (275 à 827 kPa).

⚠ AVERTISSEMENT  RISQUE DE DÉCHARGE ÉLECTRIQUE

Fixez le collier de serrage dans le trou présent seulement. NE PERCEZ PAS dans le réfrigérateur.

- Une alimentation d'eau froide est requise pour faire fonctionner la machine à glaçons automatique. La pression d'eau doit se situer entre 40 et 120 psi (275 à 827 kPa).
- Acheminez le tuyau de cuivre 1/4 po (D.E.) ou le tuyau plastique SmartConnect™ entre la conduite d'eau froide du domicile et le raccord d'eau.
- Le tuyau doit être suffisamment long pour atteindre le devant de l'appareil. Prévoyez une longueur de tuyau suffisante pour la courbe menant au raccord de la conduite d'eau.



REMARQUE : Les seuls tuyaux en plastique approuvés par Monogram sont ceux inclus dans les trousse de tuyaux pour réfrigérateur SmartConnect™. N'utilisez pas d'autres tuyaux d'alimentation d'eau en plastique car ils seront sous pression constamment. D'autres types de plastique peuvent se fissurer ou se rompre avec le temps et occasionner des dégâts d'eau dans votre domicile.

Les trousse de tuyau pour réfrigérateur SmartConnect™ sont offertes dans les longueurs suivantes :

2' (.6 m) - WX08X10002

8' (2.4 m) - WX08X10006

15' (4.6 m) - WX08X1 0015

25' (7.6 m) - WX08X10025

Fermez l'alimentation d'eau principale.

Ouvrez le robinet le plus près suffisamment longtemps pour nettoyer la conduite d'eau.

- Installez un robinet de sectionnement entre le robinet d'eau de la machine à glaçons et le tuyau d'eau froide dans le sous-sol ou une armoire. Le robinet de sectionnement doit être situé à un endroit aisément accessible.
- Ouvrez l'alimentation d'eau principale et rincez les débris. Faites couler environ un litre d'eau à travers le tuyau aboutissant dans un seau. Coupez l'alimentation d'eau au robinet de sectionnement.

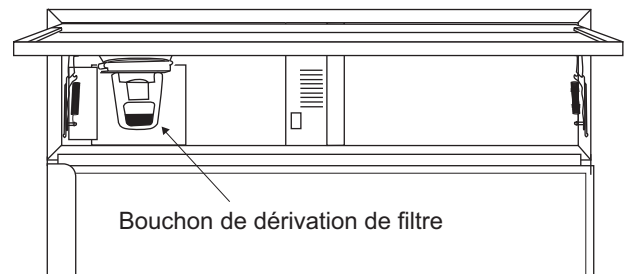
REMARQUE : Des robinet de sectionnement à étrier sont inclus dans plusieurs trousse d'alimentation d'eau, mais ils ne sont pas recommandés pour cette application.

REMARQUE : Les codes de plomberie 248CMR du Commonwealth du Massachusetts doivent être satisfaits. Les robinets à étrier sont illégaux et leur utilisation prohibée dans le Massachusetts. Consultez votre plombier agréé.

ÉTAPE 2A INSTALLATION DE LA CONDUITE D'EAU AVEC SYSTÈME D'OSMOSE INVERSE OU AUTRE SYSTÈME DE FILTRATION DOMESTIQUE

Passez cette étape si vous n'utilisez pas de système d'osmose inverse ou de système de filtration domestique

Si l'alimentation en eau de votre réfrigérateur provient du système de filtration domestique, utilisez le bouchon de dérivation de filtre du réfrigérateur. L'utilisation de la cartouche de filtrage d'eau du réfrigérateur avec un système d'osmose inverse peut produire des glaçons creux.



ÉTAPE 3 INSTALLER LES PANNEAUX LATÉRAUX

Sautez cette étape si vous n'utilisez pas de panneaux latéraux. Si vous utilisez des panneaux latéraux 1/4 po (0,63 cm), il faut les insérer dans la garniture de caisson. Fixez les panneaux sur le réfrigérateur à l'aide de ruban autoagrippant adhésif avant de mettre le réfrigérateur en place.

Instructions d'installation - Installation en acier inoxydable

ÉTAPE 4 DISPOSITIF ANTIBASCULEMENT

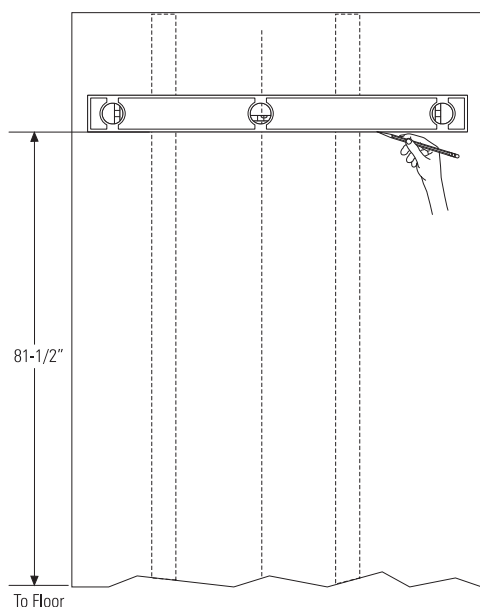
⚠ AVERTISSEMENT



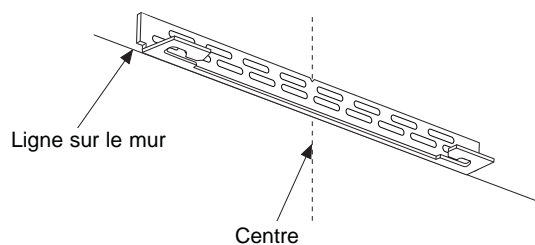
Risque de

basculement Ces réfrigérateurs présentent une partie supérieure lourde, en particulier avec une porte ouverte; ils doivent donc être fixés pour prévenir le basculement vers l'avant et le risque concomitant de blessure grave ou fatale. Lisez et suivez les instructions d'installation complètes pour l'installation du système anti-basculement.

- La trousse fournie avec l'appareil contient 2 tirefonds et 4 orifices filetés à ailettes avec boulons. Le support mural sera fixé au mur à 4 endroits.
- Mesurez l'ouverture où l'appareil sera installé. Marquez une ligne verticale au centre.

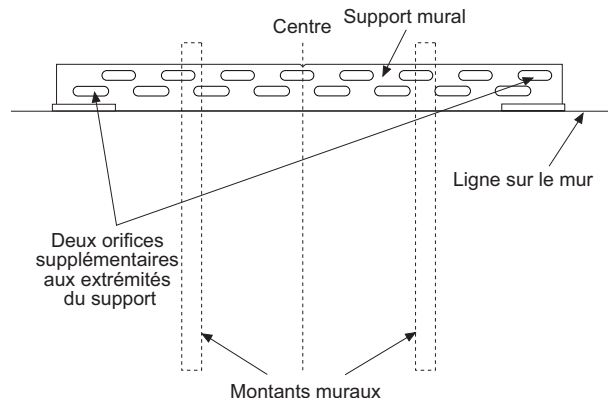


- Mesurez 81 1/2 po (207,01 cm) depuis le plancher. Marquez ce point sur le mur.
- À l'aide d'un niveau, tracez une ligne horizontale sur le mur à cette hauteur.
- Repérez au moins 2 montants sur le mur arrière. Marquez ces points sur la ligne horizontale.
- Placez le bas du support mural avec ses languettes sur la ligne horizontale. Alignez l'encoche centrale du support sur la ligne de centre sur le mur.



- Le support mural antibasculement est doté d'une série de trous. Identifiez 2 trous vis-à-vis les montants repérés. Assurez-vous que les trous identifiés se situent au centre des montants. Marquez ces points sur le mur.

- Marquez un trou supplémentaire à chaque extrémité du support. Si l'un des montants se trouve plus près de l'extrémité du support, marquez un trou supplémentaire vers le centre.

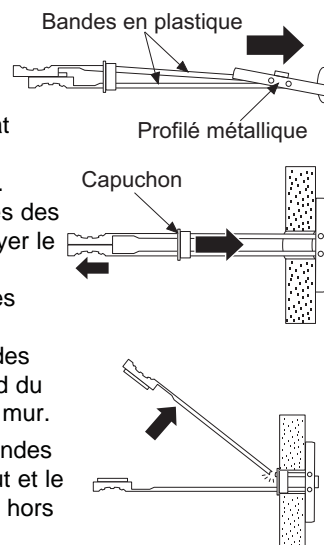


- Percez des trous de 1/2 po (1,27 cm) dans le panneau mural aux marques des points de montage des orifices à ailettes (et non aux marques des montants muraux).
- Percez des trous 3/16 po (0,47 cm) dans les montants en bois aux marques. Si les montants sont en métal, percez des trous de 1/2 po dans les montants aux marques. Vous utiliserez 2 orifices à ailettes pour boulons avec les montants métalliques.

Posez les orifices à ailettes :

Pour se procurer les orifices à ailettes avec leurs boulons, on peut commander la trousse de réparation no WR49X10193. Les orifices à ailettes sont posés dans la cloison sèche et les montants métalliques à des fins de stabilité. Posez les orifices à ailettes comme suit :

- Percez des trous de 1/2 po (1,27 cm) aux marques faites dans les trous aux extrémités du support mural.
- Tenez le profilé métallique à plat contre les bandes en plastique et glissez le profilé dans le trou.
- Tirez délicatement les extrémités des bandes en plastique pour appuyer le profilé à plat derrière le mur.
- Tenez les extrémités des bandes avec une main et glissez le capuchon en plastique le long des bandes jusqu'à ce que le rebord du capuchon soit à égalité avec le mur.
- Placez votre pouce entre les bandes en plastique et pliez vers le haut et le bas pour sectionner les bandes hors du mur.



Instructions d'installation - Installation en acier inoxydable

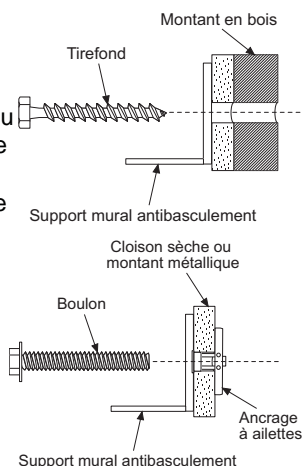
ÉTAPE 4 DISPOSITIF ANTIBASCULEMENT (suite)

Poser les vis et les boulons :

- Demandez à une personne de tenir le support mural centré et bien en place, chaque trou aligné sur la fente appropriée du support, de niveau avec la ligne horizontale.
- Insérez les tirefonds à travers le support et le montant. Serrez avec une clé.

Brancher le cordon d'alimentation :

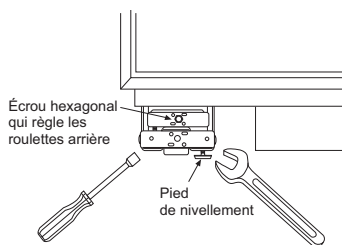
- Avant de pousser le réfrigérateur dans l'ouverture, branchez le cordon électrique dans la prise. Ouvrez le panneau de grille sur la gauche et prenez le cordon électrique à l'arrière de l'ouverture. Tirez le cordon dans l'ouverture à mesure que vous repoussez le réfrigérateur.
- Poussez avec soin le réfrigérateur dans l'ouverture avec les mains sur les coins frontaux.



ÉTAPE 5 METTRE LE RÉFRIGÉRATEUR DE NIVEAU

Tous les modèles sont dotés de 4 points de nivellement. Le devant est supporté par des pieds de nivellement; l'arrière par des roulettes réglables. Les deux types sont accessibles depuis le devant du réfrigérateur.

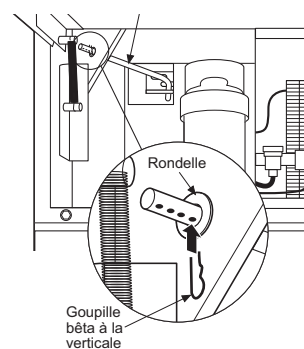
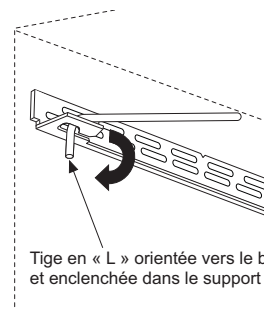
- Pour niveler l'arrière du réfrigérateur, tournez l'écrou hexagonal 7/16 po situé au dessus des roulettes avant. Tournez dans le sens des aiguilles d'horloge pour lever l'appareil, dans le sens inverse pour le baisser.
- Pour niveler le devant, utilisez une clé ouverte 1 1/4 po (3,175 cm).
- Ajustez la hauteur du réfrigérateur pour l'adapter à l'ouverture de 83 1/2 po (212,09 cm) à 84 1/2 po (214,63 cm). Le réfrigérateur doit être de niveau et aplombé aux armoires.



NOTICE: Les roulettes de nivellement arrière et les pieds de nivellement avant sont limités à une hauteur de réglage maximale de 1 po. Si l'installation exige une hauteur supérieure à 84 1/2 po, l'installateur doit surélever l'appareil sur une feuille de contreplaqué ou des rails. On peut aussi ajouter une garniture d'armoire dans le haut de l'ouverture pour raccourcir celle-ci. **Une tentative de lever le réfrigérateur de plus de 1 po (2,54 cm) endommagera les pieds de nivellement avant et les roulettes de nivellement arrière.**

ÉTAPE 6 FIXER L'APPAREIL AU MUR

- La tige en « L » se trouve dans le coin supérieur gauche de l'appareil dans le compartiment d'accès. Regardez dans le compartiment d'accès pour vous assurer que la tige s'aligne sur le support antibasculement.
 - Deux rondelles et une goupille bêta accompagnent la tige. Retirez les rondelles et la goupille de l'extrémité de la tige.
 - Tournez et déplacez la tige en « L » dans la fente de la languette du support antibasculement. Une fois dans la fente, tournez la tige en « L » de façon que son crochet pointe vers le bas. Les trous à l'extrémité avant de la tige doivent être en position verticale.
 - Tirez sur l'extrémité de la tige pour vous assurer qu'elle est bien fixée dans le support
 - Repérez le trou dans la tige qui se trouve au plus près de l'appareil. Une goupille bêta sera insérée dans ce trou pour verrouiller la tige. Si ce trou semble trop loin pour assurer un bon ajustement contre l'appareil, ajoutez une rondelle à la fois jusqu'à ce que la goupille soit bien ajustée dans le trou.
 - Alignez la section droite de la goupille sur le trou du dessous de la tige. Poussez la goupille vers le haut jusqu'à ce qu'elle s'enclenche en position. Une pince peut être utilisée.
- REMARQUE :** La goupille bêta doit être verticale une fois cette étape achevée pour s'assurer que la tige en « L » est bien enclenchée dans le support.
- Vérifiez le bon ajustement de la tige en la tirant vers l'avant. Si elle bouge, retirez la goupille bêta et placez une autre rondelle sur la tige. Réinsérez la goupille.

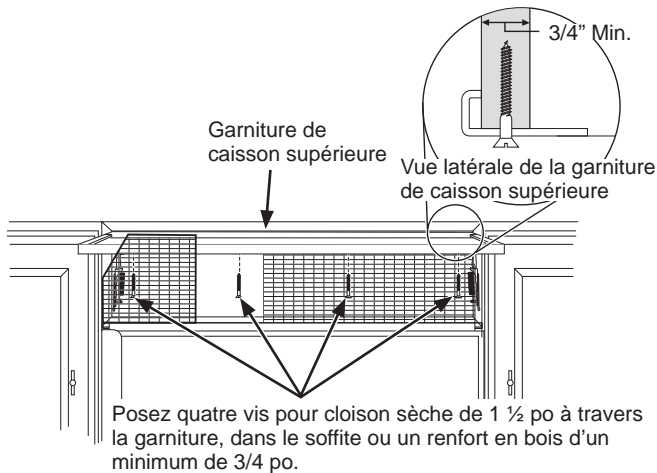


Instructions d'installation - Installation en acier inoxydable

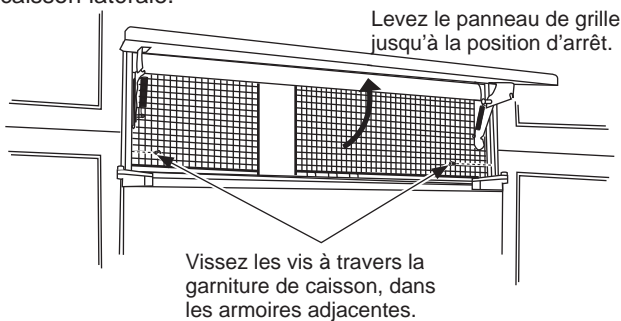
ÉTAPE 7 AUTRES DISPOSITIFS ANTIBASCULEMENT

Le réfrigérateur doit être fixé afin de prévenir le basculement. S'il est impossible d'utiliser le support antibasculement, on peut recourir à cette autre méthode pour empêcher le réfrigérateur de basculer.

- Soulevez le panneau de grille pour accéder à la garniture de caisson.
- Utilisez un foret 3/16 po pour percer quatre trous de dégagement uniformément espacés à travers la garniture de caisson supérieure.



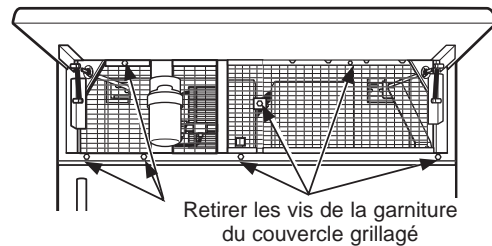
- Utilisez un foret 1/16 po pour percer des trous de guidage à travers les trous de dégagement métalliques, dans le soffite en bois. Les trous doivent être centrés dans le soffite ou un renfort en bois d'un minimum de 3/4 po. Le renfort sur la largeur de l'ouverture doit être fixé solidement dans les armoires des deux côtés.
- Posez quatre vis pour cloison sèche de 1 1/2 po (3,81 cm) dans les trous de guidage.
- En l'absence de soffite au dessus de l'appareil, vissez des vis dans les armoires adjacentes, à travers la garniture de caisson latérale.



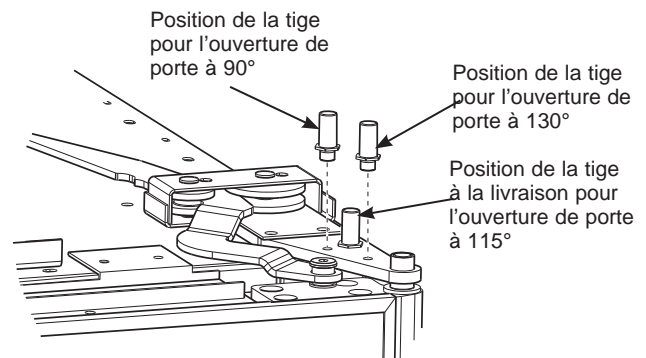
ÉTAPE 8 AJUSTER L'OUVERTURE DE PORTE

REMARQUE : Ce réfrigérateur est doté d'une butée de porte à 3 positions. Lorsque l'espace est insuffisant pour une ouverture de porte complète à 115°, on peut ramener l'ouverture à 90°. Une ouverture à 130° est offerte pour l'installation standard seulement. Si elle est utilisée pour une installation affleurante, les panneaux en bois seront endommagés. **Sautez cette étape si l'ouverture de porte est satisfaisante pour votre installation.**

- Soulevez le panneau de grille pour accéder à la garniture du couvercle grillagé.
- Retirez les vis des deux côtés de la garniture du couvercle grillagé et faites pivoter pour dégager.



- Utilisez une pince pour dévisser la butée de porte puis réinstallez à la position 90° ou 130° (pour l'installation standard).



- Réinstallez la garniture de couvercle grillagé.

ÉTAPE 9 RACCORDEMENT DE L'ALIMENTATION D'EAU

⚠ AVERTISSEMENT Raccordez l'appareil à une alimentation d'eau potable seulement. Une alimentation d'eau froide est requise pour faire fonctionner la machine à glaçons et le pichet à remplissage automatique. La pression d'eau doit se situer entre 40 et 120 psi. (275 à 827 kPa).

⚠ AVERTISSEMENT  RISQUE DE DÉCHARGE ÉLECTRIQUE

Fixez le collier de serrage dans le trou présent seulement. **NE PERCEZ PAS** dans le réfrigérateur.

- Repérez et acheminez le tuyau à l'avant de l'armoire.

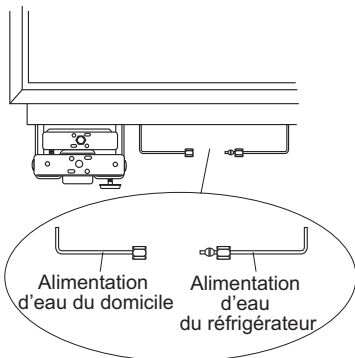
Instructions d'installation - Installation en acier inoxydable

ÉTAPE 9 RACCORDEMENT DE L'ALIMENTATION D'EAU (Cont.)

- Ouvrez l'alimentation d'eau pour rincer les débris de la conduite. Faites couler environ un litre d'eau à travers le tuyau aboutissant dans un seau, puis fermez l'alimentation d'eau.

Tuyau de cuivre :

- Enfilez un écrou 1/4 po et une bague d'extrémité (fournis) aux deux bouts du tuyau de cuivre. Insérez le tuyau dans le raccord union sur l'appareil et serrez l'écrou sur le raccord union.
- Ouvrez l'alimentation d'eau pour vérifier l'absence de fuites.



Tuyau SmartConnect™ :

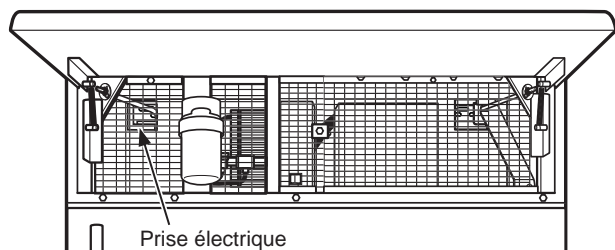
REMARQUE : Les seuls tuyaux en plastique approuvés par Monogram sont ceux inclus dans les trousse de tuyaux pour réfrigérateur SmartConnect™. N'utilisez pas d'autres tuyaux d'alimentation d'eau en plastique car ils seront sous pression constamment. D'autres types de plastique peuvent se fissurer ou se rompre avec le temps et occasionner des dégâts d'eau dans votre domicile.

- Insérez l'extrémité moulée du tube dans le raccord du réfrigérateur. Serrez l'écrou à compression à la main.
- Serrez ensuite d'un tour supplémentaire avec une clé. Un serrage excessif peut causer des fuites!
- Ouvrez l'alimentation d'eau pour vérifier l'absence de fuites.

REMARQUE : Assurez-vous que la longueur de tuyau excédentaire ne gêne pas la fermeture du tiroir ou l'installation du coup-de-pied.

ÉTAPE 10 BRANCHER L'ALIMENTATION ÉLECTRIQUE

- Assurez-vous que le cordon électrique est branché dans la prise.



- Assurez-vous que l'électricité alimente le réfrigérateur en ouvrant la porte pour voir si les lampes sont allumées.
- Les commandes de température sont pré-réglées à 37 °F (2,78 °C) pour le compartiment réfrigérateur et 0 °F (-17,78 °C) pour le congélateur.
- Allouez 24 heures pour stabiliser la température avant de faire des réglages.

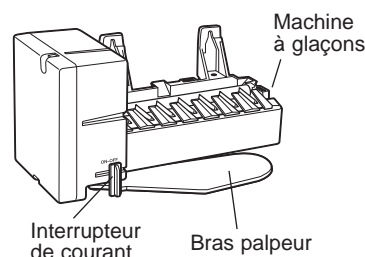
ÉTAPE 11 DÉMARRER LA MACHINE À GLAÇONS

⚠ AVERTISSEMENT Raccordez l'appareil à une alimentation d'eau potable seulement. Une alimentation d'eau froide est requise pour faire fonctionner la machine à glaçons et le pichet à remplissage automatique. La pression d'eau doit se situer entre 40 et 120 psi. (275 à 827 kPa).

⚠ AVERTISSEMENT  RISQUE DE DÉCHARGE ÉLECTRIQUE

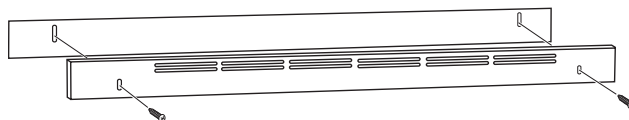
Fixez le collier de serrage dans le trou présent seulement. NE PERCEZ PAS dans le réfrigérateur.

- La machine à glaçons commencera à fonctionner automatiquement.
- Assurez-vous que rien ne gêne le mouvement du bras palpeur.
- Jetez le premier seau plein de glaçons.
- Pour mettre la machine à glaçons hors tension, glissez l'interrupteur à la position O (OFF).



ÉTAPE 12 INSTALLER LE COUP-DE-PIED

- Repérez les coups-de-pied fournis (fixés au côté du réfrigérateur à la livraison). Installer l'assemblage du coup-de-pied à l'aide des 2 vis fournies, ajustez à la hauteur désirée et serrez les vis.



IMPORTANT : On peut installer un coup-de-pied personnalisé pour s'agencer avec les armoires environnantes mais il ne peut PAS recouvrir les orifices de ventilation horizontaux du coup-de-pied installé à l'usine.

Instructions d'installation en dernière page

REMARQUE : Veuillez porter des lunettes de protection en procédant aux installations décrites dans ce manuel.

REMARQUE : L'amélioration des produits constitue un effort constant chez Monogram. Par conséquent, les matières, l'apparence et les caractéristiques techniques sont sujettes à modification sans préavis.



MONOGRAM



INSTRUCCIONES DE INSTALACIÓN

**Refrigeradores con Freezer Inferior
Incorporado de 36" con Guía de Diseño"**

ESPAÑOL.

MONOGRAM.COM

Información sobre Seguridad

ANTES DE COMENZAR

Lea estas instrucciones en su totalidad y atentamente.

- **IMPORTANTE** – Conserve estas instrucciones para uso del inspector local. Cumpla con todos los códigos y ordenanzas gubernamentales.
- **Nota para el Instalador** – Asegúrese de entregarle estas instrucciones al Comprador.
- **Nota para el Consumidor** – Guarde estas instrucciones con su Manual del Propietario para referencia futura.

Si la unidad que recibió está dañada, se deberá comunicar de inmediato con su vendedor o fabricante.

Nivel de habilidad – La instalación de esta unidad requiere un nivel básico de habilidades mecánicas, de carpintería y plomería. La correcta instalación del producto es responsabilidad del instalador. Si se producen fallas en el producto debido a una instalación inadecuada, la Garantía de Monogram no cubrirá las mismas. Para obtener información sobre la garantía, consulte el Manual del Propietario.

⚠ ADVERTENCIA **Riesgo de Descarga Eléctrica**

Enchufe en un tomacorriente con conexión a tierra de 3 cables.

No elimine el cable de conexión a tierra.

No use un adaptador.

Inmediatamente interrumpa el uso de un cable de suministro de corriente dañado. Si el cable de corriente se encuentra dañado, su reemplazo deberá ser realizado por un profesional calificado del servicio técnico, utilizando una pieza del servicio técnico autorizada por el fabricante.

No use prolongadores con este electrodoméstico.

Si no se siguen estas instrucciones, se podrá producir la muerte, incendios o descargas eléctricas.

Siga las instrucciones que figuran en la sección de Conexión de Tierra de la unidad.

Este electrodoméstico deberá ser instalado por algún medio en el cableado fijo del hogar o en un disyuntor para desconectar el electrodoméstico del suministro eléctrico luego de la instalación.

⚠ ADVERTENCIA **Riesgo de Caídas**

Estos electrodomésticos son inestables, especialmente cuando una puerta se encuentre abierta, y deben estar asegurados a fin de evitar caídas hacia adelante que podrían resultar en la muerte o en lesiones graves. Lea y siga las instrucciones de instalación en su totalidad para asegurar el electrodoméstico con el sistema anti volcaduras.

⚠ ADVERTENCIA **Peligro de Incendio o Explosión**

Mantenga cualquier material y vapores inflamables alejados del electrodoméstico. Si no se cumple con esto, se podrá producir una explosión, un incendio o la muerte.

⚠ ADVERTENCIA A fin de reducir el riesgo asociado con descargas, no permita que los niños menores de 3 años de edad tengan acceso a las partes pequeñas durante la instalación de este producto.

⚠ PRECAUCIÓN **Riesgo al levantar la puerta**

Este refrigerador es muy pesado. A fin de reducir el riesgo de lesiones personales durante la maniobra e instalación de este refrigerador, se requiere contar con 3 personas para una correcta instalación del modelo de 36" de ancho y con 4 personas para una correcta instalación del modelo de 42" o 48".

⚠ PRECAUCIÓN Mantenga los dedos fuera de los espacios de "riesgo de lastimaduras"; los espacios entre las puertas y entre las puertas y el gabinete son necesariamente pequeños. Tenga el cuidado de cerrar las puertas cuando se encuentren niños en el área.

Para acceder al servicio local de Monogram en su área, visite monogram.com

Para acceder al servicio de Monogram en Canadá, visite monogram.ca

Para acceder a Piezas y Accesorios de Monogram, visite monogram.com/use-and-care/parts

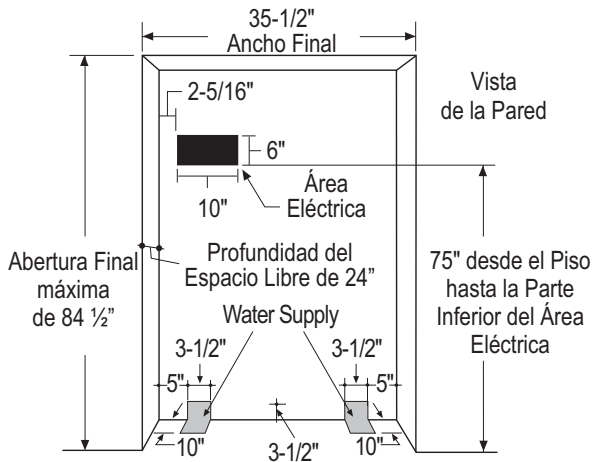
Contenidos

Seguridad	2	Instrucciones para una Instalación Nivelada	18
Instrucciones para la Instalación Estándar	4	Instrucciones para la Instalación de Acero Inoxidable	19
Guía de Planificación		Guía de Planificación	
El Espacio de Instalación	5	El Espacio de Instalación	20
Dimensiones y Espacios Libres Para la Instalación Dual	5	Dimensiones y Espacios Libres	20
Instrucciones Básicas de Personalización	6	Instrucciones Básicas de Personalización	21
Ubicación del Refrigerador	6	Paneles Laterales	21
Kits de Accesorios Opcionales	6	Kits de Accesorios Opcionales	21
Dimensiones del Panel con Marco de 1/4"	7	Ubicación del Refrigerador	21
Dimensiones del Panel Revestido de 3/4"	7	Giro de puerta de 130°	22
Paneles Laterales	8	Instrucciones de Instalación	
Dimensiones del Panel con Rejilla ZKBFN720NII	8	Herramientas y Materiales Necesarios	23
Giro de puerta de 130°	9	Conexión a Tierra del Refrigerador	23
Instrucciones de Instalación		Paso 1. Retire el Embalaje	23
Herramientas y Materiales Necesarios	10	Paso 2. Instale la Tubería de Agua	24
Conexión a Tierra de la Unidad	10	Paso 2A. Tubería de Agua con Sistema de Ósmosis Inversa u otro Sistema de Filtración Hogareño	24
Paso 1. Conexión a Tierra de la Unidad	10	Paso 3. Instale los Paneles Laterales	24
Paso 2. Instale la Tubería de Agua	11	Paso 4. Procedimiento Anti Volcaduras	25
Paso 2A. Tubería de Agua con Sistema de Ósmosis Inversa u otro Sistema de Filtración Hogareño	11	Paso 5. Nivele el Refrigerador	26
Paso 3. Instale los Paneles Laterales	11	Paso 6. Asegure la Unidad a la Pared	26
Paso 4. Procedimientos Anti Volcaduras	12	Paso 7. Procedimiento Anti Volcaduras Alternativo	27
Paso 5. Nivele la Unidad	13	Paso 8. Ajuste el Giro de la Puerta	27
Paso 6. Asegure la Unidad a la Pared	13	Paso 9. Conecte el Suministro de Agua	27
Paso 7. Procedimiento Anti Volcaduras Alternativo	14	Paso 10. Conecte la Corriente	28
Paso 8. Ajuste el Giro de la Puerta	14	Paso 11. Inicie la Máquina de Hielo	28
Paso 9. Instale el Panel con Rejilla	15	Paso 12. Instale el Zócalo	28
Paso 10. Instale los Paneles con Marco de 1/4"	15		
Paso 10A. Instale los Paneles Revestidos	16		
Paso 11. Conecte el Suministro de Agua	17		
Paso 12. Conecte la Corriente	17		
Paso 13. Inicie la Máquina de Hielo	17		
Paso 14. Instale el Zócalo	17		

Instrucciones para la Instalación Estándar

Guía de Diseño – Instalación Estándar

EL ESPACIO DE INSTALACIÓN



Ubicaciones de Agua y Electricidad

Los suministros eléctricos y de agua deberán ser ubicados como se muestra.

La Profundidad del Recorte Deberá Ser de 24" (60.96 cm)

El refrigerador se inclinará hacia adelante, levemente más allá del gabinete adyacente, dependiendo de su instalación. Deje un espacio mínimo de 1/8" (0.32 cm) de aire entre la parte trasera de la carcasa y la pared.

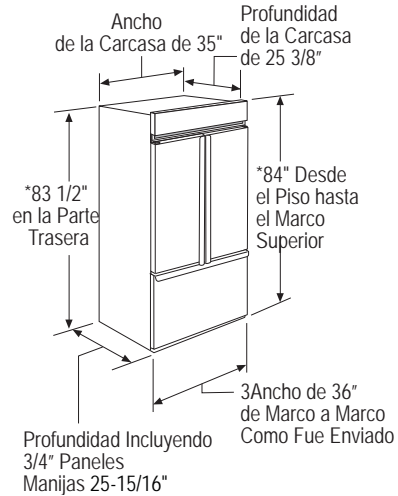
Profundidad del espacio libre debajo de un sofito:

Cuando se instale debajo de un sofito, este último no podrá exceder la profundidad de instalación de 24" (60.96 cm) mostrada. El marco de la carcasa superior se superpone con la parte inferior del sofito.

Especificaciones adicionales

- Se requiere un suministro de corriente de 115 voltios, 60Hz., y 15 o 20 amperes. Se recomienda el uso de un circuito individual derivado o un disyuntor correctamente conectado a tierra. Instale un receptáculo eléctrico de 3 patas correctamente conectado a tierra en la pared trasera. El receptáculo eléctrico deberá estar ubicado en la pared trasera como se muestra.
- El suministro de agua puede ingresar a la abertura a través del piso o la pared trasera. Haga circular el kit de SmartConnect™ o una tubería de cobre con un diámetro externo de 1/4" entre la tubería de agua fría y la ubicación de la conexión de agua. La tubería deberá poseer una extensión suficiente como para llegar hasta el frente del refrigerador. Se requiere la instalación de una válvula de cierre fácilmente accesible en la tubería de agua.

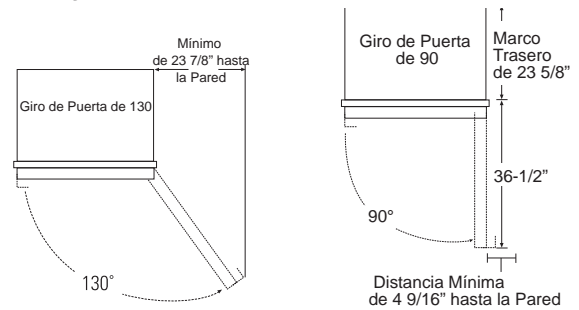
DIMENSIONES Y ESPACIOS LIBRES



*Altura del embalaje. El refrigerador puede ser ajustado para caber en un espacio libre de una altura máxima de 84 1/2" (214.63 cm). Se debe observar que el marco de la carcasa superior es 1/2" (1.27 cm) más alto en su parte superior y se superpondrá con los gabinetes o el sofito superior. Use las patas niveladoras y las ruedas para un ajuste de altura máxima de 1" (2.54 cm).

Espacios Libres del Producto

Estos refrigeradores están equipados con un dispositivo de detención de la puerta de 3 posiciones. El giro de la puerta de 115° original de fábrica se podrá ajustar a 90° si el espacio libre hasta los gabinetes adyacentes o las paredes es restringido.

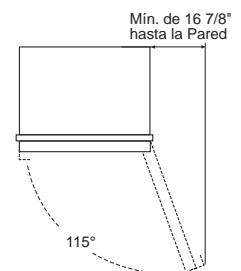


Cuente con un espacio libre mínimo de 23 7/8" (60.64 cm) para un giro de puerta completo de 130°. Deje 15" (38.1 cm) para el retiro de bandejas.

Para un giro de puerta de 90°, deje un espacio libre mínimo de 4 9/16" (11.59 cm) hasta una pared. Si se usa la detención de puerta en 90°, se mantendrá el acceso a las bandejas pero su retiro estará restringido.

Consulte la ilustración en la página 11 para determinar la interacción del balanceo de la puerta con los gabinetes o mesadas adyacentes.

Giro de Puerta de 115



Para la Instalación Dual

- Si se instalarán dos refrigeradores, lado a lado, el espacio de instalación deberá poseer 71 1/2" (181.61 cm) de ancho.

NOTA: Se podrá requerir un ancho adicional de la abertura cuando se usen paneles laterales. Agregue el grosor del panel lateral al espacio final para calcular el ancho de la instalación.

- El agua y las ubicaciones eléctricas para cada producto deberán ser ubicadas como se muestra.
- Se recomienda un suministro de corriente aparte de 115 voltios, 60Hz., y 15 o 20 amperes para cada producto.

Guía de Diseño – Instalación Estándar

INSTRUCCIONES BÁSICAS DE PERSONALIZACIÓN: Paneles con Marco o Revestidos, Manijas a Medida y Kits de Accesorios

Estos refrigeradores fueron diseñados para la personalización con paneles decorativos. Se requiere una puerta a medida y paneles con rejilla para instalación en el espacio.

Paneles Laterales

Los paneles laterales deberán ser usados siempre que los laterales del refrigerador queden expuestos.

KITS DE ACCESORIOS OPCIONALES

- ZKBSN720SS: Kit unificado para un aspecto integrado en los 2 modelos de acero inoxidable instalados uno al lado del otro.
- ZKBFN720NII: Kit unificado para un aspecto integrado en los 2 modelos a medida instalados uno al lado del otro.
- ZKLN: Kit de la manija con visor para uso en modelos de paneles a medida en una instalación estándar. El kit incluye dos manijas.
- ZKFN: Kit de instalación integrado y nivelado para todas las instalaciones niveladas. Incluye zócalos modificados, marco de la carcasa y otros componentes requeridos.

UBICACIÓN DEL REFRIGERADOR

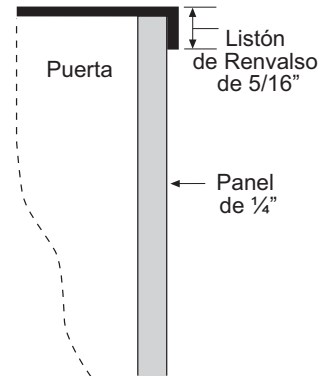
- No instale el refrigerador en lugares donde la temperatura sea inferior a los 55°F (13°C). Éste no funcionará con la frecuencia suficiente como para mantener las temperaturas apropiadas.
- No instale el refrigerador en lugares donde la temperatura sea superior a los 100°F (37°C). Éste no funcionará correctamente.
- No instale el refrigerador en una ubicación expuesta al agua (lluvia, etc.) o en contacto directo con la luz solar.
- Instale el mismo en un piso lo suficientemente fuerte como para soportarlo completamente cargado.

Guía de Diseño – Instalación Estándar

DIMENSIONES DEL PANEL A MEDIDA DE ¼” (0.63 cm)

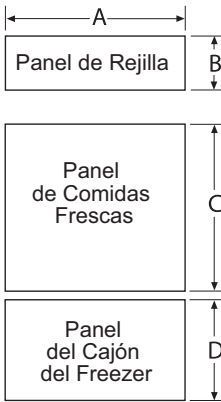
Si decide instalar paneles a medida, se deberán cortar en las dimensiones que se muestran. Los paneles se deslizarán en el marco en la parte de la puerta, el cajón y la rejilla.

Si el grosor del panel a medida es inferior a ¼” y si queda suelto en el marco de la puerta, podrá ser afirmado con una pieza de material de relleno o con cinta de gomaespuma para mejorar su posicionamiento.



NOTA IMPORTANTE: Peso máximo total del panel:

- Panel de la puerta de comidas frescas – 58 libras. (26.31 kg)
- Panel de la puerta del Freezer – 28 libras (12.70 kg)
- Panel de Rejilla – 11 libras (4.99 kg)



Dimensiones del Panel con Marco				
	A (Ancho)	B (Altura de la Rejilla)	C (Altura FF)	D (Altura FZ)
Panel con Marco de ¼” (0.63 cm)	33-7/8” (86.04 cm)	8-7/8” (22.54 cm)	46-1/16” (101.76 cm)	21-7/8” (55.56 cm)

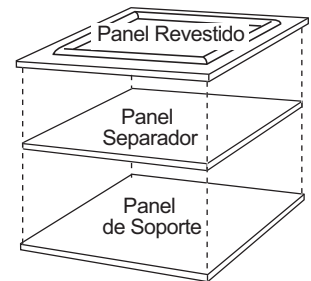
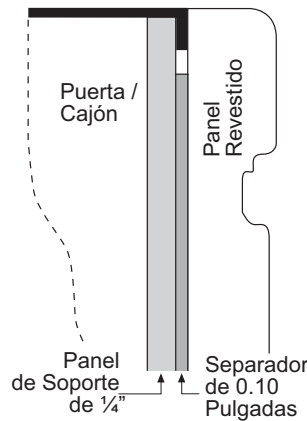
Dimensiones del Panel Revestido				
	A (Ancho)	B (Altura de la Rejilla)	C (Altura FF)	D (Altura FZ)
Panel de Soporte de ¼” (0.63 cm)	33-7/8” (86.04 cm)	8-7/8” (22.54 cm)	46-1/16” (116.99 cm)	21-7/8” (55.56 cm)
Panel Separador de 0.10” (0.25 cm)	32-1/2” (82.55 cm)	7-5/8” (20 cm)	44-11/16” (113.51 cm)	20-1/2” (52.07 cm)
Panel Revestido de ¾” (1.9 cm)	34-1/8” (96.67 cm)	9” (22.86 cm)	46-5/16” (117.63 cm)	22” (55.88 cm)

DIMENSIONES DEL PANEL REVESTIDO DE ¾”

Para un aspecto más personalizado, los paneles revestidos podrán ser instalados en modelos con marco. El panel revestido deberá ser asegurado sobre un panel de soporte de un grosor de ¼” (0.63 cm), que se deslice sobre el marco. Se deberá colocar un panel separador de un grosor de 0.10” (0.25 cm) entre el panel revestido y el panel de soporte.

Ensamble los paneles con pegamento y tornillos.

- Centre el panel separador sobre el panel de soporte, de izquierda a derecha y de arriba hacia abajo. Asegure los paneles con pegamento.
- Centre el panel separador y el panel de soporte sobre el panel revestido y asegure los mismos con pegamento y tornillos. Los tornillos deberán ser encastrados en el panel de soporte.



NOTA IMPORTANTE: El peso máximo total para los paneles ensamblados:

- Panel de la puerta de comidas frescas – 58 libras (26 kg).
- Panel de la puerta del Freezer – 28 libras (13 kg)
- Panel de Rejilla – 11 libras (5 kg)

NOTA: El ajuste de izquierda a derecha no siempre es igual al ajuste de arriba hasta abajo

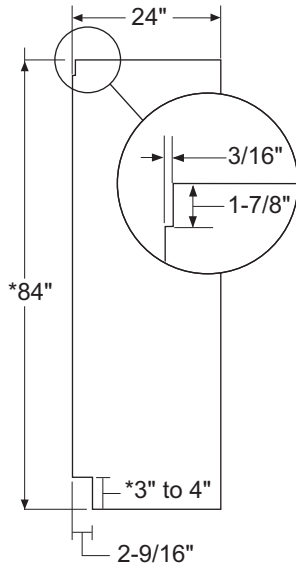
Guía de Diseño – Instalación Estándar

PANELES LATERALES

Los paneles laterales deberán ser usados siempre que los laterales del refrigerador queden expuestos. Los paneles laterales de ¼" (0.63 cm) se deslizarán por el marco de la carcasa lateral. Asegure los paneles al refrigerador con cinta de sujeción de vecro. Ordene los paneles laterales al fabricante de gabinetes.

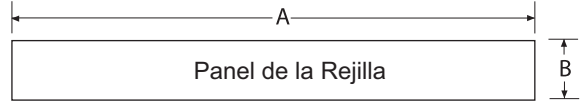
- Haga un agujero en la esquina frontal derecha como se muestra, a fin de dejar espacio para las teclas de la esquina frente al marco lateral.

* Dependiendo de la altura de la instalación.



DIMENSIONES DEL PANEL DE REJILLA ZKBFN720NII

El kit unificado ZKBFN720NII brinda la instalación de un panel con rejilla con marco o revestido.



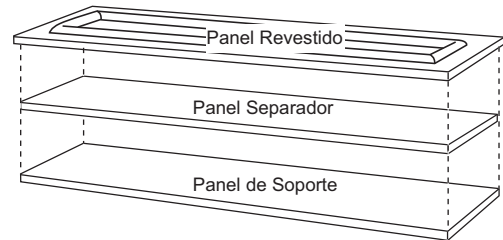
Dimensiones del Panel con Marco

Panel con Marco de ¼" (0.63 cm)	A (Ancho)	B (Altura)
	69-7/8" (177.48 cm)	8-7/8" (22.54 cm)

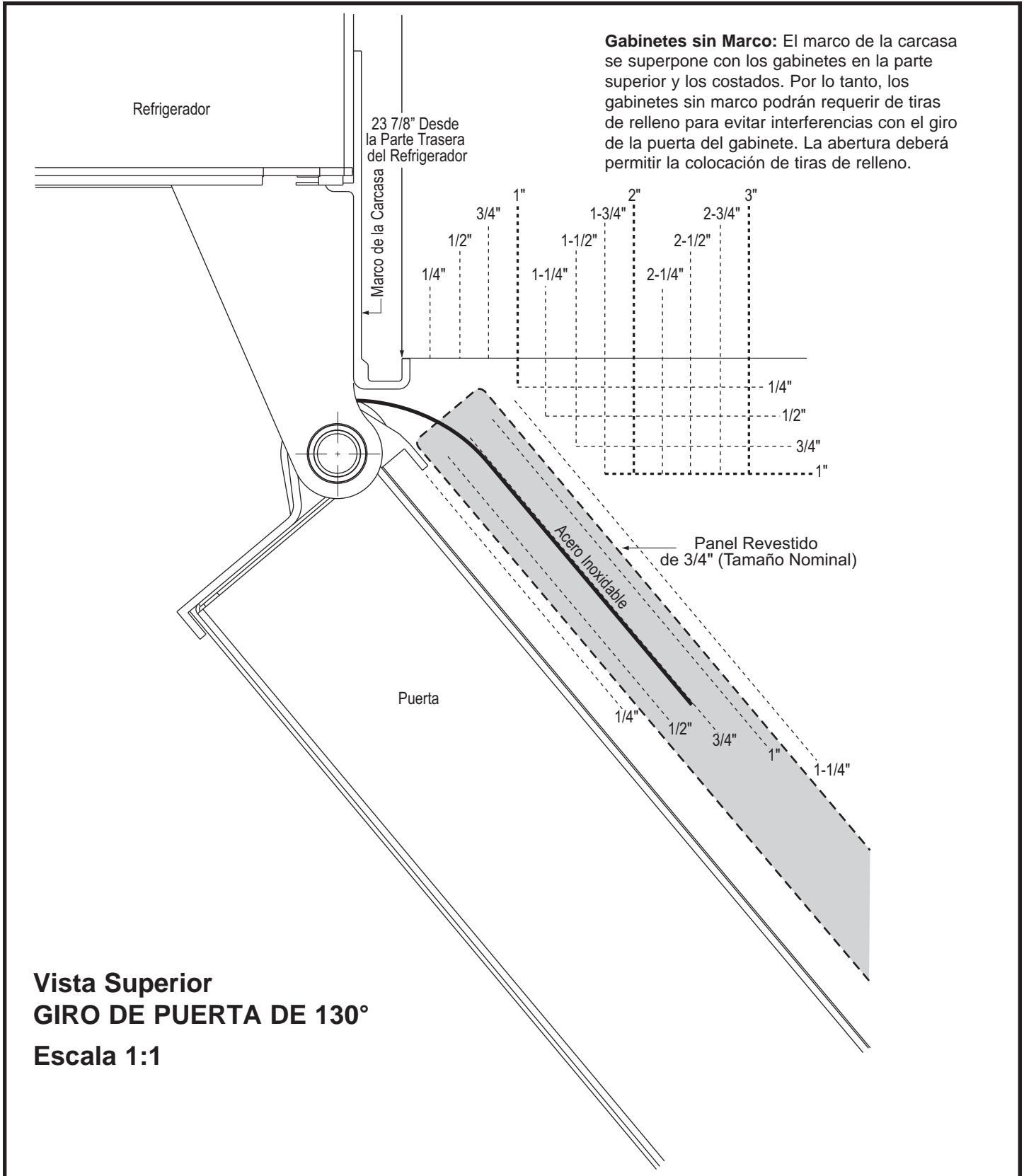
Dimensiones del Panel Revestido

Panel de Soporte de ¼" (0.63 cm)	A (Ancho)	B (Altura)
	69-7/8" (177.48 cm)	8-7/8" (22.54 cm)
Panel Separador de 0.10" (0.25 cm)	68-1/2" (97.79 cm)	7-5/8" (20 cm)
Panel Revestido de ¾" (1.9 cm)	70-1/8" (178.12 cm)	9" (22.86 cm)

Ensamble los paneles revestidos del mismo modo que los paneles de la puerta y del cajón.



Guía de Diseño – Instalación Estándar



Instrucciones de Instalación – Instalación Estándar

HERRAMIENTAS REQUERIDAS

- Tijeras cortachapa para cortar bandas
- Escalera de dos hojas
- Balde
- Nivel
- Carro Manual para Electrodomésticos
- Cortatubos
- Llave de tuercas de 7/16"
- Destornillador Phillips nº2
- Taladro y brocas apropiadas
- Enchufe de 5/16", 7/16"
- Gafas de seguridad
- Llave de tuercas de 1 ¼"
- Pinzas
- Trinquete de 1/4"

MATERIALES SUMINISTRADOS

- Tapón del bypass del filtro de agua
- Soportes anti volcaduras
- Tuerca y abrazadera de refuerzo de 1/4"

MATERIALES REQUERIDOS

- Soporte anti volcaduras de 2 x 4 de 35" de longitud
- Tubería de cobre para suministro de agua de ¼" o kits de Tuberías para Refrigerator SmartConnect™.
- Válvula de cierre de agua
- Paneles a medida para la puerta de comidas frescas, el cajón del freezer y el panel de rejilla.
- Tornillos para asegurar el refrigerador a los gabinetes.
- Cintas de ajuste de velcro para paneles laterales de 1/4" (0.63 cm)

PISO

Para una instalación correcta, el refrigerador se deberá ubicar en una superficie nivelada de material duro que posea la misma altura en el resto del piso. Esta superficie deberá ser lo suficientemente fuerte como para resistir el peso de un refrigerador totalmente cargado o aproximadamente 1200 libras (544.31 kg).

NOTA: Proteja el acabado del piso. Corte una sección amplia de cartón y coloque la misma debajo del refrigerador donde se encuentra trabajando.

CONEXIÓN A TIERRA DEL REFRIGERADOR

⚠ ADVERTENCIA Riesgo de Descarga Eléctrica

Si no se siguen estas instrucciones, se podrá producir la muerte, incendios o descargas eléctricas.

El cable de corriente de este electrodoméstico cuenta con un enchufe de 3 cables (conexión a tierra) que se conecta a un tomacorriente de pared estándar de 3 cables (conexión a tierra) para minimizar el riesgo de posibles descargas eléctricas por parte del mismo.

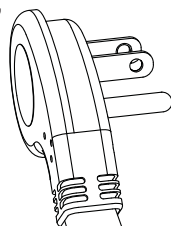
Contrate a un electricista calificado para que controle el tomacorriente y el circuito eléctrico, a fin de asegurar que el enchufe esté correctamente conectado a tierra.

En caso de contar con un tomacorriente de pared de 2 cables, es su responsabilidad y obligación reemplazarlo por un tomacorriente de pared de 3 cables correctamente conectado a tierra.

NUNCA, BAJO NINGUNA CIRCUNSTANCIA, CORTE NI ELIMINE EL TERCER CABLE (TIERRA) DEL CABLE DE CORRIENTE.

NO USE UN ENCHUFE ADAPTADOR PARA CONECTAR EL REFRIGERADOR A UN TOMACORRIENTE DE 2 PATAS.

NO USE UN PROLONGADOR CON ESTE ELECTRODOMÉSTICO.



PASO 1 RETIRE EL EMBALAJE

⚠ ADVERTENCIA Riesgo de Caídas

El refrigerador es mucho más pesado en su parte superior que en su parte inferior – tenga cuidado al moverlo. Al usar un carro manual, sosténgalo de costado únicamente.

- De forma cuidadosa, corte las bandas en la parte superior e inferior, y retire el cartón externo.
- Deslice hacia afuera los postes de las esquinas traseras (2).
- Deslice el cartón fuera de la parte superior del gabinete.

NOTA: ¡NO ES NECESARIO APOYAR EL GABINETE PARA RETIRAR EL ANTIDESLIZANTE!

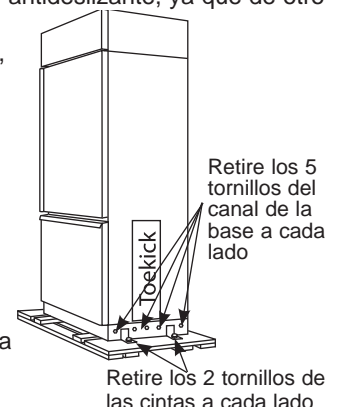
- La unidad se encuentra asegurada al antideslizante por 4 cintas de amarre ranuradas. Retire los seis tornillos de 7/16" de los canales de la base en los amarres.
- Retire los seis tornillos de 7/16" que aseguran las cintas al antideslizante.

NOTA: NO INTENTE HACER RODAR LA UNIDAD FUERA DEL ANTIDESLIZANTE.

- Los bloques de soporte de la parte inferior de la carcasa de refrigeración deberán ser retirados antes de que el refrigerador sea retirado del antideslizante, ya que de otro modo se podrán producir daños. De forma cuidadosa, incline el refrigerador y deslice los bloques hacia afuera desde abajo.

- Retire el zócalo y guarde el mismo para la instalación final.

- Levante el refrigerador fuera del antideslizante con un carro para electrodomésticos. Sostenga el electrodoméstico de los costados.



Instrucciones de Instalación – Instalación Estándar

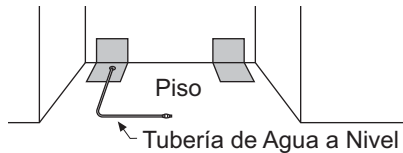
PASO 2 INSTALE EL SUMINISTRO DE AGUA

⚠ ADVERTENCIA Realice la conexión a un suministro de agua potable únicamente. Se requiere un suministro de agua fría para el funcionamiento de la máquina de helos automática y de la jarra de llenado automático. La presión del agua deberá estar entre 40 y 120 p.s.i. (275 – 827 kPa).

⚠ ADVERTENCIA  PELIGRO DE DESCARGA ELÉCTRICA

Adhiera la abrazadera de la tubería usando el agujero existente únicamente. NO perforo el refrigerador.

- Se requiere un suministro de agua fría para el funcionamiento de la máquina de hielo automática. La presión del agua deberá ser de entre 40 y 120 p.s.i. (275-827 kPa).
- Haga circular una tubería de cobre con un diámetro externo de 1/4" o una tubería de plástico SmartConnect™ entre la tubería de agua fría del hogar y la ubicación de la conexión de agua.
- La tubería deberá ser de una extensión suficiente como para llegar hasta el frente del refrigerador. Deje una cantidad de tubería suficiente como para hacer una inclinación que llegue hasta la conexión de la tubería de agua.



NOTA: La única tubería de plástico aprobada por Monogram es suministrada en los Kits de Tuberías para Refrigerador de SmartConnect™. No use ninguna otra tubería de suministro de agua plástica, ya que la tubería se encuentra bajo presión en todo momento. Otros tipos de plásticos podrán sufrir fisuras o roturas con el paso del tiempo y ocasionar problemas con el agua en su hogar.

Los Kits de Tuberías para Refrigerador de SmartConnect™ están disponibles en las siguientes longitudes:

- 2' (.6 m) - WX08X10002
- 8' (2.4 m) - WX08X10006
- 15' (4.6 m) - WX08X1 0015
- 25' (7.6 m) - WX08X10025

Cierre el suministro principal de agua.

Abra el grifo más cercano durante un tiempo suficiente como para despejar la tubería de agua.

- Instale una válvula de cierre entre la válvula de agua de la máquina de hielo y la tubería de agua fría en un punto bajo o en un gabinete. La válvula de cierre deberá ser ubicada donde sea de fácil acceso.
- Abra el suministro de agua principal y deje correr la suciedad. Deje correr aproximadamente un cuarto de galón de agua a través de la tubería a un balde. Cierre el suministro de agua desde la válvula de cierre

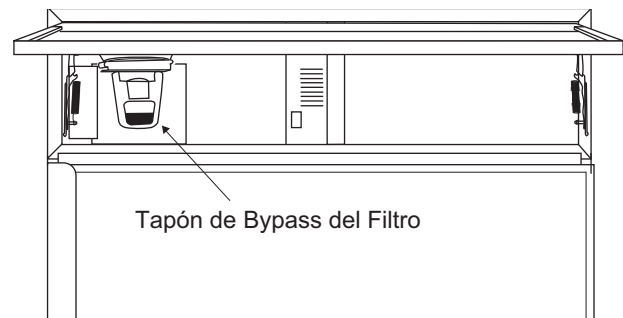
NOTA: Muchos kits de suministro de agua incluyen válvulas de cierre tipo montura, pero no se recomiendan para esta aplicación.

NOTA: Se deberá cumplir con los Códigos de Plomería del Commonwealth de Massachusetts 248CMR. Las válvulas tipo montura son ilegales y su uso está prohibido en Massachusetts. Consulte a un plomero matriculado.

PASO 2A INSTALACIÓN DE LA TUBERÍA DE AGUA CON SISTEMA DE ÓSMOSIS INVERSA U OTRO SISTEMA DE FILTRACIÓN HOGAREÑO

Saltee este paso si no usará un sistema RO u otro sistema de filtración hogareño.

Si el suministro de agua al refrigerador es desde un sistema de filtración hogareño, utilice el tapón del bypass del filtro del refrigerador. El uso del cartucho de filtración de agua del refrigerador junto con el filtro RO podrá producir cubos de hielo huecos.



PASO 3 INSTALE LOS PANELES LATERALES

Saltee este paso cuando no use los paneles laterales.

Si usará paneles laterales de 1/4" (0.63), deberán ser insertados en el marco de la carcasa. Ajuste los paneles al refrigerador con cintas de sujeción de velcro, antes de establecer el refrigerador en su posición.

Instrucciones de Instalación – Instalación Estándar

PASO 4 PROCEDIMIENTO ANTI-VOLCADURAS

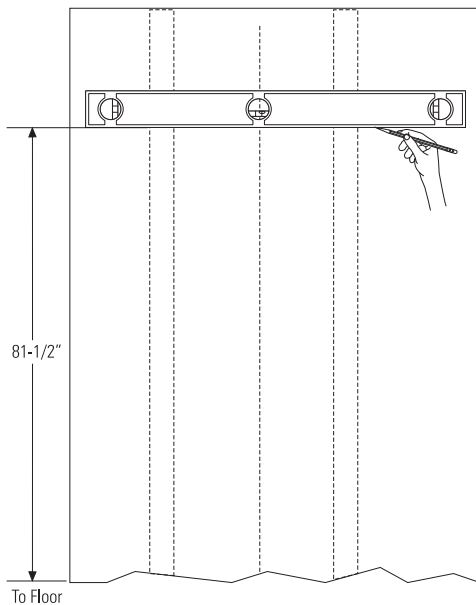
⚠ ADVERTENCIA



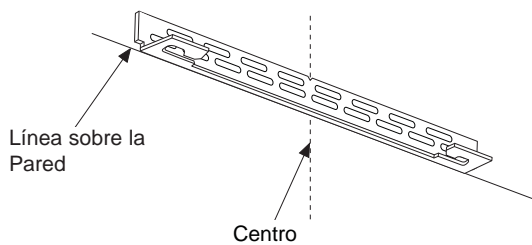
Riesgo de Caídas

Estos refrigeradores son inestables, especialmente cuando una puerta se encuentre abierta, y deberán estar asegurados a fin de evitar caídas hacia adelante que podrían resultar en la muerte o en lesiones graves. Lea y siga las instrucciones de instalación en su totalidad para asegurar el refrigerador con el sistema anti volcaduras.

- El kit suministrado con la unidad cuenta con 2 tornillos tirafondo y tornillos con resortes. El soporte de pared será adherido a la pared en 4 posiciones.
- Mida la abertura donde la unidad será instalada. Marque el centro con una línea vertical.

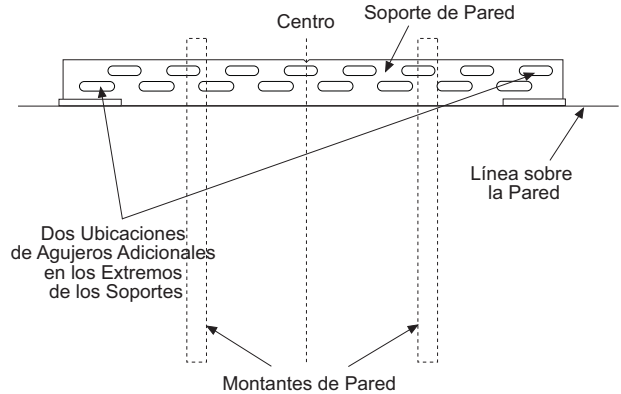


- Mida 81 1/2" (207.01 cm) desde el piso. Marque este punto sobre la pared.
- Con un nivel, dibuje una línea horizontal sobre la pared a esta altura.
- Ubique por lo menos 2 montajes en la pared trasera. Marque estos puntos sobre la línea horizontal.
- Coloque la parte inferior del soporte de pared con las lengüetas en la línea horizontal. Alinee la abertura central sobre el soporte con la línea central sobre la pared.



- El soporte de pared anti volcaduras cuenta con una serie de agujeros. Seleccione 2 agujeros que coincidan con los montajes ubicados. Asegúrese de que los agujeros seleccionados se encuentren en el centro de los montajes. Marque la pared en estos puntos.

- Marque un agujero adicional en cada extremo del soporte. Si uno de los montajes se encuentra más cerca del extremo del soporte, marque un agujero adicional hacia el centro del soporte.

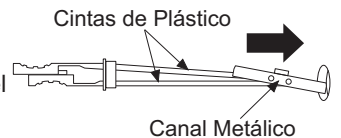


- Realice agujeros de 1/2" (1.27 cm) en el tablero de pared, en las ubicaciones marcadas para el montaje de los resortes (no las marcas de los montajes).
- Realice agujeros de 3/16" (0.47 cm) en los montajes de madera donde se realizaron las marcas. Si se trata de una construcción de montajes de acero, realice agujeros de 1/2" en los montajes donde se realizaron las marcas. Se deberán usar 2 resortes con los montajes metálicos.

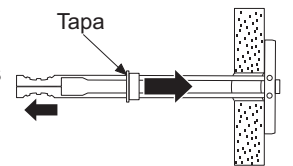
Instale los Resortes de Pared:

Los resortes de pared y los tornillos pueden ser ordenados como el Kit de Servicio n° WR49X10193. Los tornillos con resortes de pared se instalan sobre el panel de yeso y los montajes metálicos para lograr estabilidad. Instale los tornillos con resortes de pared del siguiente modo:

- Realice agujeros de 1/2" (1.27 cm) sobre las marcas de la pared realizadas en los agujeros sobre los extremos del soporte de pared.

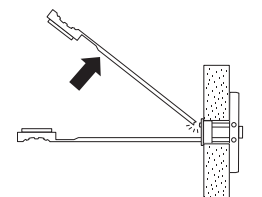


- Sostenga el canal metálico de forma plana contra las cintas de plástico y deslice el canal a través del agujero.



- De forma suave, empuje hacia atrás sobre los extremos de las cintas de plástico para hacer que el canal descansa de forma nivelada detrás de la pared.

- Sostenga los extremos de las tiras con una mano y deslice la tapa de plástico a lo largo de las cintas, hasta que el reborde de la tapa quede nivelado con la pared.



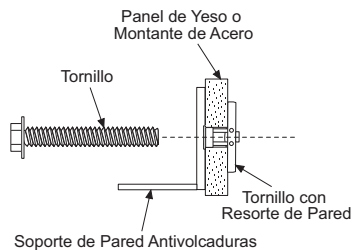
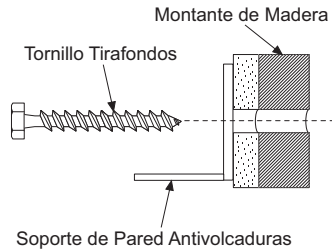
- Coloque el pulgar entre las cintas de plástico e incline las mismas hacia arriba y abajo para desenganchar las mismas de la pared.

Instrucciones de Instalación – Instalación Estándar

PASO 4 PROCEDIMIENTO ANTI-VOLCADURAS (Cont.)

Instale los Tornillos y Pernos:

- Solicite a alguien que sostenga el soporte de pared centrado en su posición con cada uno de los agujeros alineados con la abertura correcta en el soporte y realice la nivelación con la línea horizontal.



- Inserte los tornillos tirafondo a través del soporte y en el montante. Ajuste con una llave.

CONECTE EL CABLE DE CORRIENTE:

- Antes de empujar el refrigerador hasta la abertura, enchufe el cable de corriente en el receptáculo. Abra el panel con la rejilla sobre la izquierda y alcance la abertura en la parte trasera para tomar el cable de corriente. Empuje el cable de corriente sobre la abertura a medida que empuja el refrigerador hacia atrás.
- De forma suave, empuje el refrigerador sobre la abertura con las manos contra las esquinas frontales.

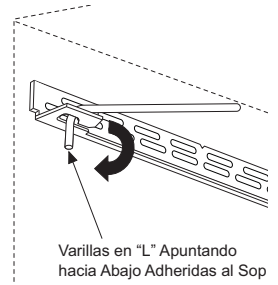
IMPORTANTE: Cuando el refrigerador sea instalado debajo de un soffito o si no se cuenta con suficiente altura para este método de seguridad, no se podrán usar soportes. Proceda al paso 6 para nivelar el refrigerador y luego al paso 8 para asegurar el refrigerador a los gabinetes. Si posee montantes de pared metálicos, consulte el paso 9. El refrigerador deberá quedar asegurado a fin de evitar volcaduras.

PASO 5 NIVEL EL REFRIGERADOR (Cont.)

- Ajuste la altura del refrigerador para que coincida con la abertura del espacio libre de la instalación de 83 ½" (212.09 cm) a 84 ½" (214.63 cm). El refrigerador deberá estar nivelado y correctamente instalado entre los muebles de cocina.
- Las ruedas niveladoras traseras y las patas niveladoras frontales cuentan con un límite de ajuste de altura máxima de 1". Si en la instalación se requiere una altura superior a 84 1/2" (214.63 cm), el instalador deberá elevar el refrigerador sobre una lámina de contrachapado o correderas. También se podrá agregar un marco para gabinetes a través de la parte superior de la abertura, a fin de acortar esta última. Si intenta elevar el refrigerador más de 1" (2.54 cm), dañará las patas niveladoras frontales y las ruedas niveladoras traseras.

PASO 6 ASEGURE LA UNIDAD A LA PARED

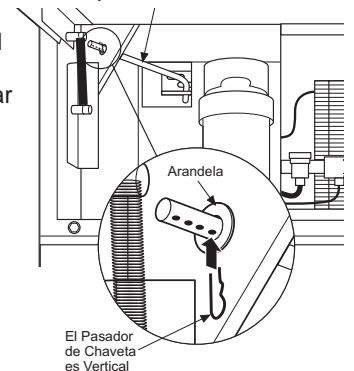
- La varilla en "L" se podrá encontrar en la esquina superior izquierda de la unidad, en el compartimiento de acceso. Observe el compartimiento de acceso para asegurarse de que la varilla esté alineada con el soporte anti volcaduras.
- Hay 2 arandelas y un pasador de chaveta por varilla. Retire las arandelas y el pasador de chaveta del extremo de la varilla.
- Gire y mueva la varilla en "L" en la ranura de la lengüeta del soporte anti volcaduras. Una vez que se encuentre en la ranura, gire la varilla en "L" de modo que la parte del gancho apunte hacia abajo. Los agujeros del extremo frontal de la varilla se deberán encontrar en posición vertical.
- Empuje hacia afuera el extremo de la varilla para constatar que esté bien asegurada al soporte.
- Ubique el agujero de la varilla que se encuentre más cerca de la unidad. Se deberá colocar un pasador de chaveta a través de este agujero para asegurar la varilla. Si este agujero parece estar demasiado alejado para un ajuste perfecto contra la unidad, agregue las arandelas una por vez hasta que el perno calce de forma ajustada en el agujero.



- Alinee la sección recta del perno con el agujero del lado inferior de la varilla. Empuje el perno hacia arriba hasta que calce en su posición. Se podrán usar pinzas.

NOTA: El pasador de chaveta deberá estar vertical cuando este paso sea completado, a fin de asegurar que la varilla en "L" esté adherida al soporte.

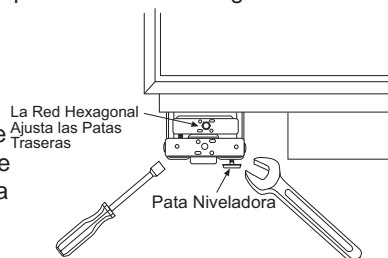
- Controle que la varilla se encuentre ajustada empujando hacia adelante. Si la varilla se mueve, retire el pasador de chaveta y coloque otra arandela en la varilla. Vuelva a insertar el perno.



PASO 5 NIVEL EL REFRIGERADOR

Todos los modelos cuentan con 4 puntos de nivelación. La parte frontal está apoyada sobre patas niveladoras; la parte trasera está apoyada sobre ruedas ajustables. Es posible acceder a ambas desde la parte frontal del refrigerador.

- A fin de nivelar la parte trasera del refrigerador, gire la tuerca hexagonal de 7/16" que se encuentra ubicada sobre las ruedas frontales. Gire en dirección horaria para elevar el refrigerador, y en dirección antihoraria para bajar el mismo.
- Para nivelar la parte frontal, use una llave de boca de 1 ¼" (3.175 cm).



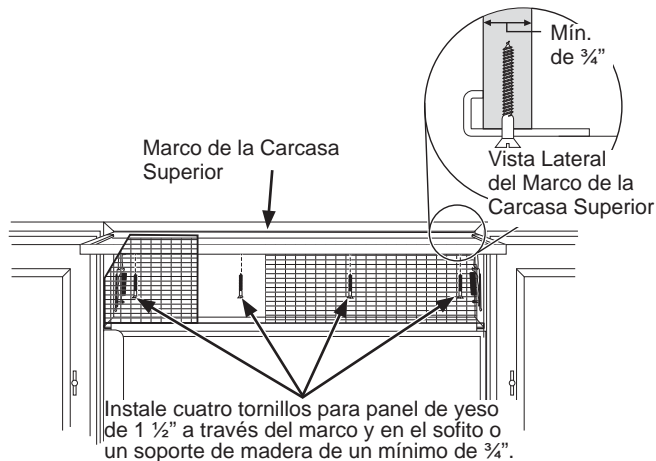
Instrucciones de Instalación – Instalación Estándar

PASO 7 PROCEDIMIENTO ANTI-VOLCADURAS ALTERNATIVO

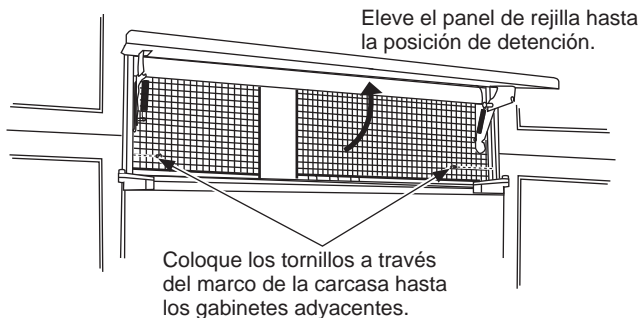
El refrigerador deberá quedar asegurado a fin de evitar volcaduras.

Si no es posible usar el soporte anti volcaduras, se podrá usar este procedimiento alternativo para asegurar que el refrigerador no sufra una caída.

- Eleve el panel de rejilla para acceder al marco de la carcasa.
- Use una broca de 3/16" para perforar cuatro agujeros en el espacio libre espaciado de forma pareja a través del marco de la carcasa metálica superior.



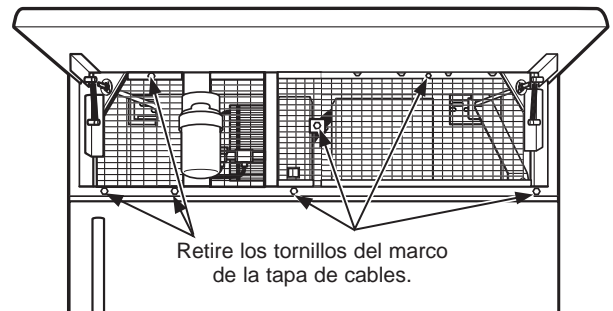
- Use una broca de 1/16" para perforar agujeros piloto a través de los agujeros metálicos en el espacio libre y en el soffito de madera. Los agujeros deberán estar centrados en el soffito o en un soporte de madera de un mínimo de 3/4. El soporte que abarca el cercado deberá estar ajustado de forma segura a los gabinetes sobre ambos lados.
- Instale cuatro tornillos para panel de yeso de 1 1/2" (3.81 cm) en los agujeros piloto.
- Si no se cuenta con un soffito sobre la unidad, perforo tornillos en los gabinetes adyacentes a través del marco de la carcasa lateral.



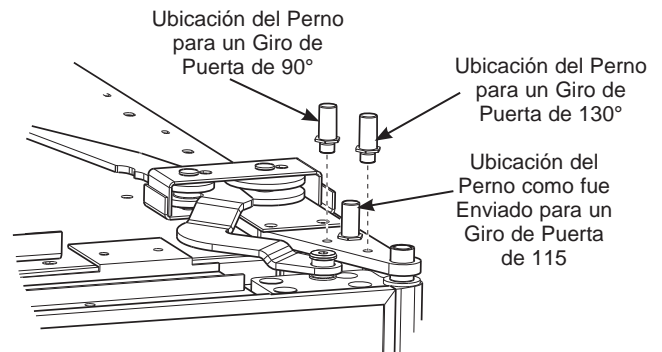
PASO 8 AJUSTE EL GIRO DE LA PUERTA

NOTA: El refrigerador cuenta con una detención de la puerta de 3 posiciones. Cuando el espacio no permita que la puerta gire completamente hasta los 115°, podrá cambiar el giro de puerta a una apertura de 90°. Un giro de puerta de 130° está disponible para la instalación estándar únicamente. Si se usa para una instalación nivelada, se dañarán los paneles de madera. **Si la apertura de la puerta es satisfactoria para su situación durante la instalación, saltee este paso.**

- Levante el panel de rejilla para acceder al marco de la tapa de cables.



- Retire los tornillos que se encuentran a ambos lados del marco de la tapa de cables y gire hacia afuera.
- Use una pinza para desenroscar la detención de la puerta y vuelva a instalar la misma en una posición de 90° o 130°.

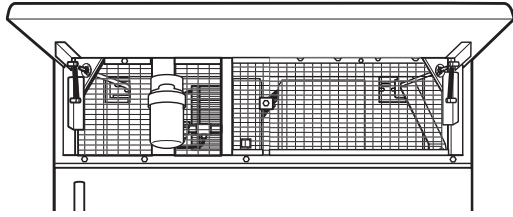


- Vuelva a instalar el marco de la tapa de cables.

Instrucciones de Instalación – Instalación Estándar

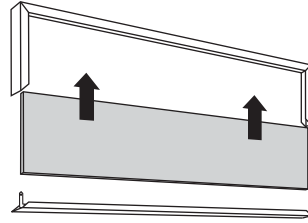
PASO 9 INSTALE EL PANEL DE REJILLA

- Eleve el panel de acceso hasta la posición de detención.



- Afloje los tornillos sobre el borde lateral detrás del marco. Retire el marco inferior.
- Deslice el panel sobre el panel de soporte metálico y en el marco.

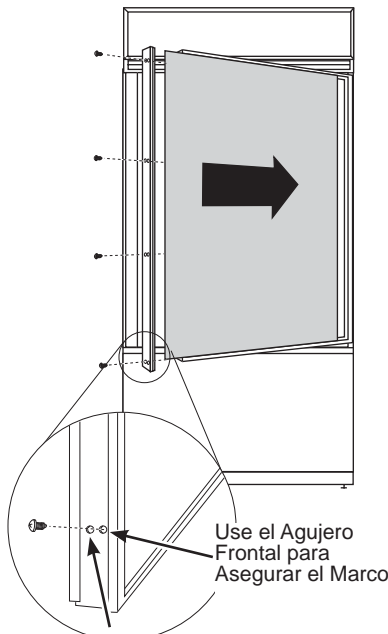
- De ser necesario, golpee con un bloque de madera hasta que el panel se deslice por debajo de la pieza del marco superior.



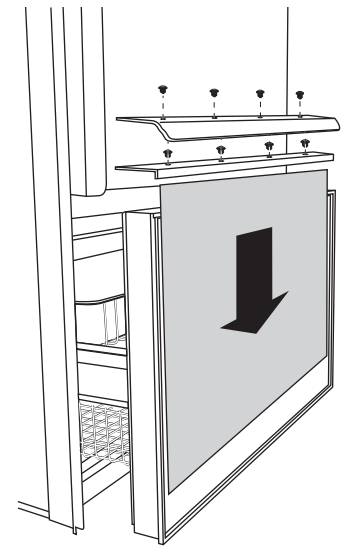
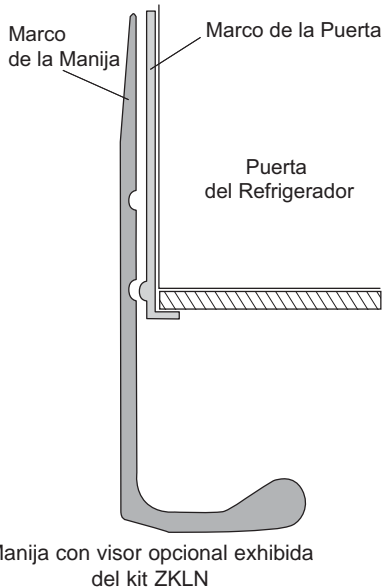
- Vuelva a ensamblar el marco inferior. Ajuste los tornillos.
- Ajuste el resorte de la bisagra para acomodar el peso del panel, de ser necesario.

PASO 10 INSTALE LOS PANELES CON MARCO DE ¼" (0.63 cm)

Se muestran los modelos del lado derecho. Siga las mismas instrucciones para los modelos del lado izquierdo. SI INSTALARÁ PANELES REVESTIDOS, VAYA AL PASO 10A.



Utilice los agujeros traseros para asegurar la manija del kit ZKLN opcional (no se muestra).



Instale los paneles de puerta y cajón:

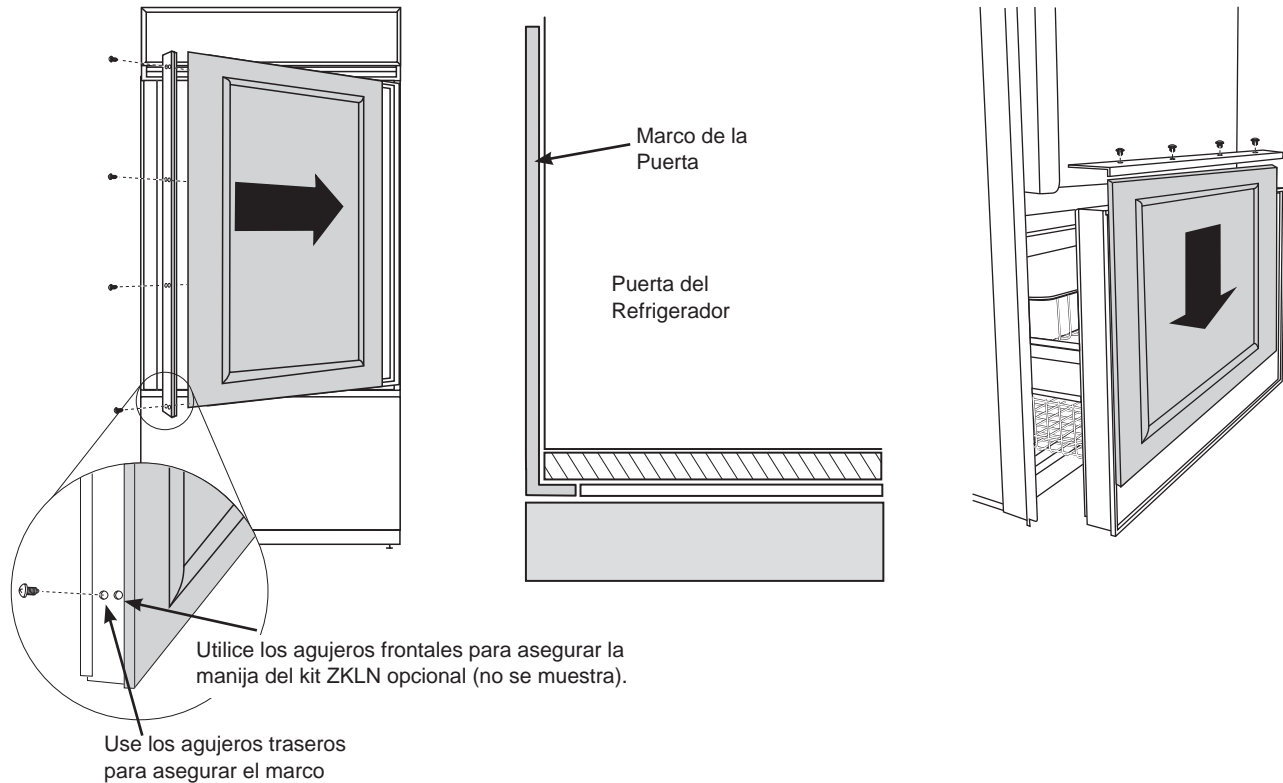
- Abra la puerta hasta 90°.
- Retire los 4 tornillos que sostienen el marco, y levante y retire el marco. Conserve los tornillos.
- Deslice el panel con marco dentro del marco de la puerta.

- Hay dos conjuntos de agujeros en el marco lateral de la manija. Reemplace el marco lateral de la manija instalando los tornillos originales en los agujeros de los tornillos FRONTALES.
- Siga los mismos procedimientos para instalar el panel del cajón.

Instrucciones de Instalación – Instalación Estándar

PASO 10A INSTALE LOS PANELES REVESTIDOS

Se muestran los modelos del lado derecho. Siga las mismas instrucciones para los modelos del lado izquierdo.



Instale los paneles de puerta y cajón:

- Abra la puerta hasta 90°.
- Retire los 4 tornillos que sostienen el marco, y levante y retire el marco. Conserve los tornillos.
- Deslice el panel revestido dentro del marco de la puerta.
- Hay dos conjuntos de agujeros en el marco lateral de la manija. Reemplace el marco lateral de la manija instalando los tornillos originales en los agujeros de los tornillos TRASEROS.
- Siga los mismos procedimientos para instalar el panel del cajón.

Manijas a Medida

- Si usará manijas a medida, la manija deberá estar correctamente asegurada al panel antes de deslizar el panel en el marco.
- El fabricante del gabinete suministrará la manija a medida y los materiales.
 - Asegure el marco de la puerta/ cajón usando tanto los agujeros de los tornillos FRONTALES como los TRASEROS.

Instrucciones de Instalación – Instalación Estándar

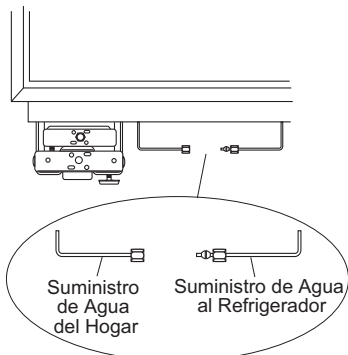
PASO 11 REALICE LA CONEXIÓN AL SUMINISTRO DE AGUA

⚠ ADVERTENCIA Realice la conexión a un suministro de agua potable únicamente. Se requiere un suministro de agua fría para el funcionamiento de la máquina de helos automática y de la jarra de llenado automático. La presión del agua deberá estar entre 40 y 120 p.s.i. (275 – 827 kPa).

⚠ ADVERTENCIA PELIGRO DE DESCARGA ELÉCTRICA

Adhiera la abrazadera de la tubería usando el agujero existente únicamente. NO perforo el refrigerador.

- Encuentre y traiga la tubería al frente del gabinete.
- Abra y deje correr el agua a fin de eliminar desechos del suministro. Deje correr alrededor de un cuarto de galón de agua por la tubería a un balde; luego cierre el suministro de agua.



Tubería de Cobre:

- Coloque una tuerca de 1/4" y una abrazadera de refuerzo (provista) sobre ambos extremos de la tubería de cobre. Inserte la tubería en la unión con la unidad y ajuste la tuerca a la unión.
- Abra el suministro de agua para controlar que no haya pérdidas.

Tubería SmartConnect™:

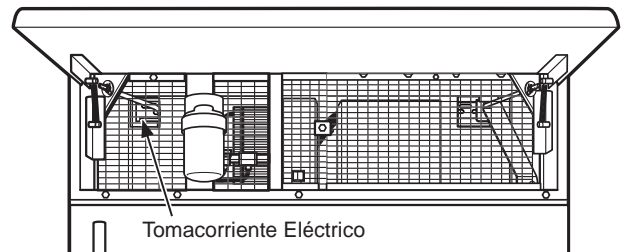
NOTA: La única tubería de plástico aprobada por Monogram es suministrada en los Kits de Tuberías para Refrigerador de SmartConnect™. No use ninguna otra tubería de suministro de agua plástica, ya que la tubería se encuentra bajo presión en todo momento. Otros tipos de plásticos podrán sufrir fisuras o roturas con el paso del tiempo y ocasionar problemas con el agua en su hogar.

- Inserte el extremo moldeado de la tubería en la conexión del refrigerador. Ajuste la tuerca de compresión hasta que quede fijada sólo con la presión manual.
- Realice un ajuste adicional con un giro de llave. ¡Un ajuste excesivo podrá ocasionar pérdidas!
- Abra el suministro de agua para controlar que no haya pérdidas.

NOTA: Asegúrese de que un exceso de la longitud de la tubería no interfiera con el cierre del cajón o con la instalación del zócalo.

PASO 12 CONECTE LA CORRIENTE

- Asegúrese de que el cable de corriente esté enchufado en el receptáculo.



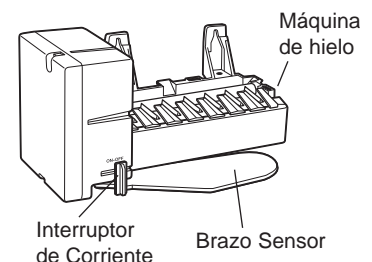
- Asegúrese de que la corriente que va al refrigerador está activada, abriendo la puerta del refrigerador para ver si las luces interiores están encendidas.
- Los controles de temperatura están preconfigurados en 37°F (2.78°C) para la sección de comidas frescas y en 0°F (-17.78°C) para el freezer.
- Permita que se establezca durante 24 horas antes de realizar ajustes.

PASO 13 ENCIENDA LA MÁQUINA DE HIELO

⚠ PRECAUCIÓN

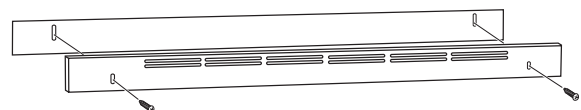
Evite el contacto con las partes en movimiento del mecanismo expulsor o con el elemento de calefacción (ubicado en la parte inferior de la máquina de hielo) que expulsa los cubos. No coloque los dedos ni las manos en el mecanismo de la máquina de hielo automática mientras el freezer se encuentre enchufado.

- La máquina de hielo comenzará a funcionar automáticamente.
- Asegúrese de que nada interfiera con la extensión del interruptor de energía.
- Descarte el primer balde lleno de cubos de hielo.
- Para apagar la máquina de hielo, deslice el interruptor a OFF (Apagado).



PASO 14 INSTALE EL ZÓCALO

- Ubique los zócalos suministrados (encintados en el embalaje al costado del refrigerador).
- Instale el ensamble del zócalo con los 2 tornillos provistos, ajuste hasta la altura deseada y ajuste los tornillos



IMPORTANTE: Se podrá instalar un zócalo a medida que coincida con o complemente los gabinetes circundantes, pero NO podrá cubrir las ranuras de ventilación horizontales del zócalo de fábrica.

Instrucciones para una Instalación Nivelada

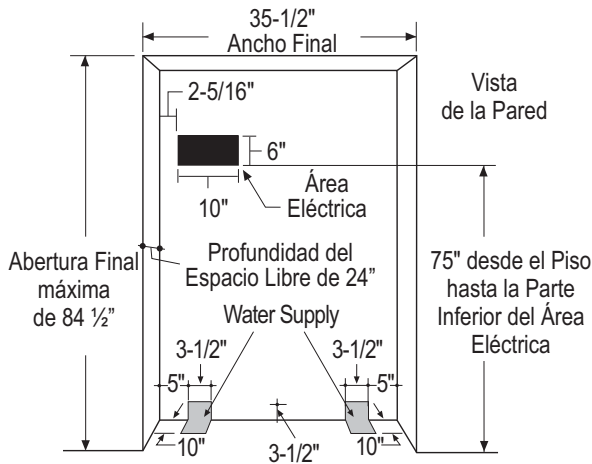
NIVELE EL KIT INTEGRADO ZKFN REQUERIDO

El kit integrado nivelado incluye instrucciones de instalación, zócalos modificados, ensamble de la carcasa y otros componentes requeridos.

Instrucciones para la Instalación de Acero Inoxidable

Guía de Diseño - Instalación de Acero Inoxidable

EL ESPACIO DE INSTALACIÓN



Ubicaciones de Agua y Electricidad

Los suministros eléctricos y de agua deberán ser ubicados como se muestra.

La Profundidad del Recorte Deberá Ser de 24" (60.96 cm)

El refrigerador se inclinará hacia adelante, levemente más allá del gabinete adyacente, dependiendo de su instalación. Deje un espacio mínimo de 1/8" (0.32 cm) de aire entre la parte trasera de la carcasa y la pared.

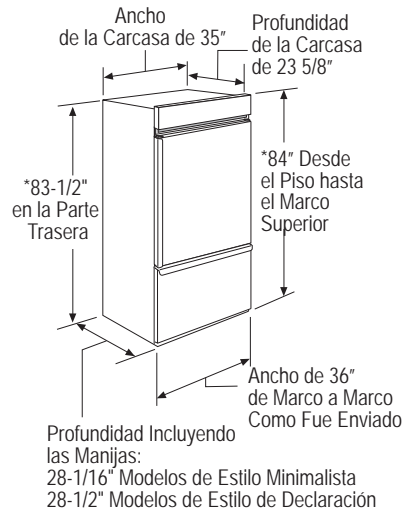
Profundidad del espacio libre debajo de un soffito:

Cuando se instale debajo de un soffito, este último no podrá exceder la profundidad de instalación de 24" (60.96 cm) mostrada. El marco de la carcasa superior se superpone con la parte inferior del soffito.

Especificaciones adicionales

- Se requiere un suministro de corriente de 115 voltios, 60Hz., y 15 o 20 amperes. Se recomienda el uso de un circuito individual derivado o un disyuntor correctamente conectado a tierra. Instale un receptáculo eléctrico de 3 patas correctamente conectado a tierra en la pared trasera. El receptáculo eléctrico deberá estar ubicado en la pared trasera como se muestra.
- El suministro de agua puede ingresar a la abertura a través del piso o la pared trasera. Haga circular el kit de SmartConnect™ o una tubería de cobre con un diámetro externo de 1/4" entre la tubería de agua fría y la ubicación de la conexión de agua. La tubería deberá poseer una extensión suficiente como para llegar hasta el frente del refrigerador. Se requiere la instalación de una válvula de cierre fácilmente accesible en la tubería de agua.

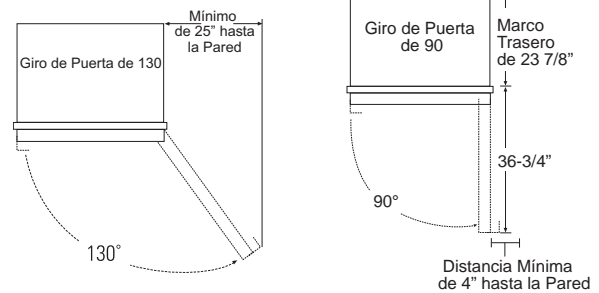
DIMENSIONES Y ESPACIOS LIBRES



*Altura del embalaje. El refrigerador puede ser ajustado para caber en un espacio libre de una altura máxima de 84 1/2" (214.63 cm). Se debe observar que el marco de la carcasa superior es 1/2" (1.27 cm) más alto en su parte superior y se superpondrá con los gabinetes o el soffito superior. Use las patas niveladoras y las ruedas para un ajuste de altura máxima de 1" (2.54 cm).

Espacios Libres del Producto

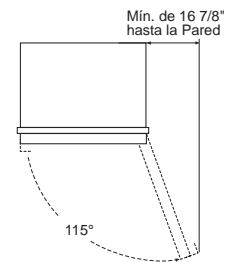
Estos refrigeradores están equipados con un dispositivo de detención de la puerta de 3 posiciones. El giro de la puerta de 115° original de fábrica se podrá ajustar a 90° si el espacio libre hasta los gabinetes adyacentes o las paredes es restringido.



Cuente con un espacio libre mínimo de 23 7/8" (60.64 cm) para un giro de puerta completo de 130°. Deje 15" (38.1 cm) para el retiro de bandejas.

Para un giro de puerta de 90°, deje un espacio libre mínimo de 4 9/16" (11.59 cm) hasta una pared. Si se usa la detención de puerta en 90°, se mantendrá el acceso a las bandejas pero su retiro estará restringido.

Consulte la ilustración en la página 22 para determinar la interacción del balanceo de la puerta con los gabinetes o mesadas adyacentes.



Guía de Diseño - Instalación de Acero Inoxidable

INSTRUCCIONES BÁSICAS DE PERSONALIZACIÓN:

Refrigeradores recubiertos de Acero Inoxidable

Los refrigeradores recubiertos de acero inoxidable cuentan con puertas recubiertas y un panel con rejilla, extremos biselados, y manijas tubulares de acero inoxidable que se coordinan con otros electrodomésticos de Monogram. Estos modelos son enviados ya listos para su instalación. Estos modelos no incluyen manijas.



Statement Handle
ZKSB2H2PNSS



Minimalist Handle
ZKSB2H2CNSS

*Manijas Opcionales – Al ordenar este producto, asegúrese de usar el número de modelo asociado con la manija elegida.

KITS DE ACCESORIOS OPCIONALES

- ZKBSN720SS: Kit unificado para un aspecto integrado en los 2 modelos de acero inoxidable instalados uno al lado del otro.

UBICACIÓN DEL REFRIGERADOR

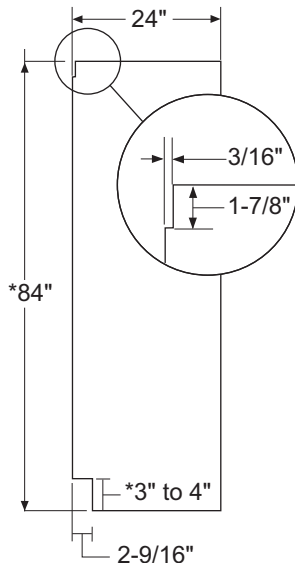
- No instale el refrigerador en lugares donde la temperatura sea inferior a los 55°F (13°C). Éste no funcionará con la frecuencia suficiente como para mantener las temperaturas apropiadas.
- No instale el refrigerador en lugares donde la temperatura sea superior a los 100°F (37°C). Éste no funcionará correctamente.
- No instale el refrigerador en una ubicación expuesta al agua (lluvia, etc.) o en contacto directo con la luz solar.
- Instale el mismo en un piso lo suficientemente fuerte como para soportarlo completamente cargado.

PANELES LATERALES

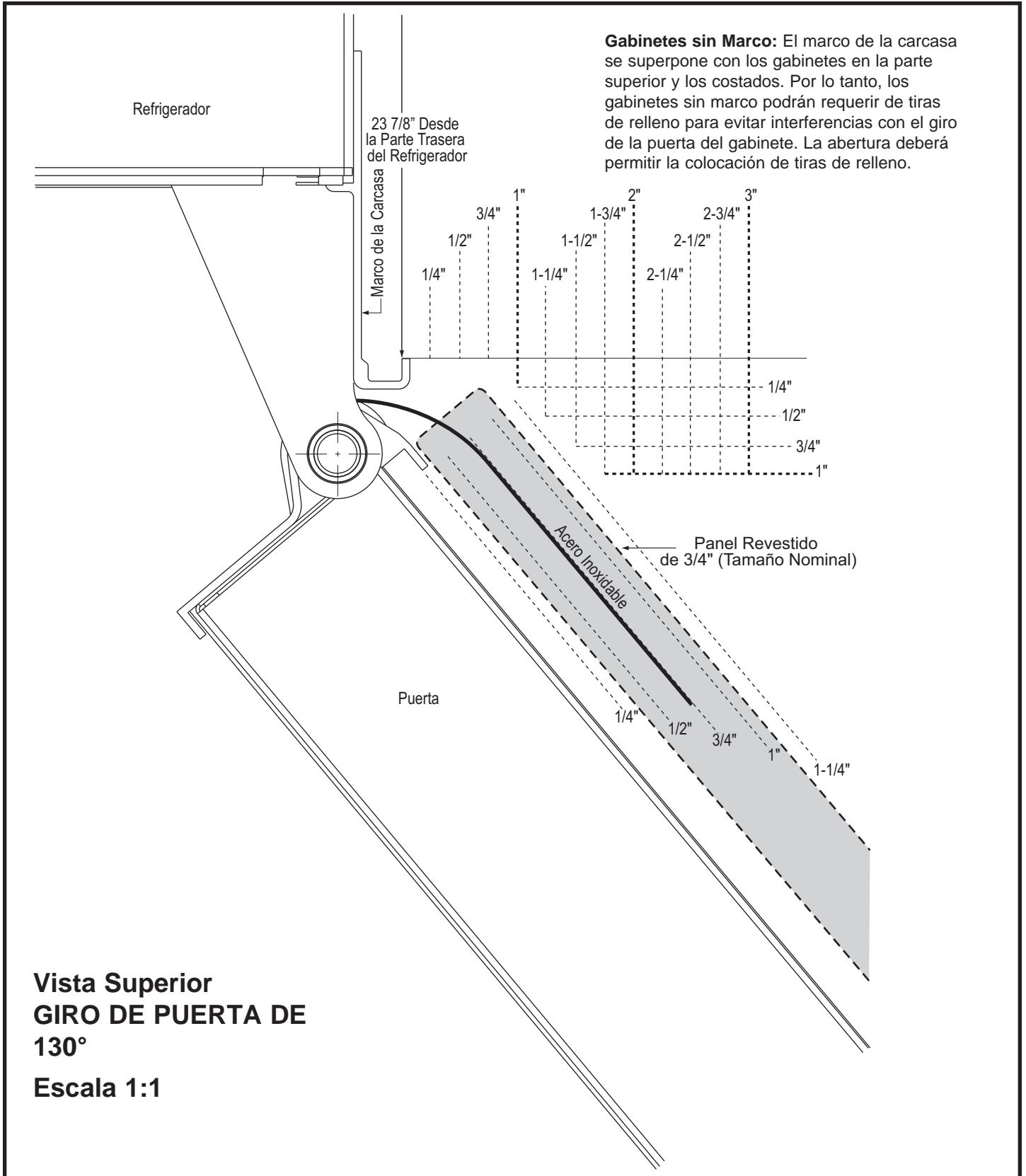
Los paneles laterales deberán ser usados siempre que los laterales del refrigerador queden expuestos. Los paneles laterales de ¼" (0.63 cm) se deslizarán por el marco de la carcasa lateral. Asegure los paneles al refrigerador con cinta de sujeción de vecro. Ordene los paneles laterales al fabricante de gabinetes.

- Haga un agujero en la esquina frontal derecha como se muestra, a fin de dejar espacio para las teclas de la esquina frente al marco lateral.

* Dependiendo de la altura de la instalación.



Guía de Diseño - Instalación de Acero Inoxidable



Instrucciones de instalación - Instalación de Acero Inoxidable

HERRAMIENTAS REQUERIDAS

- Tijeras cortachapa para cortar bandas
- Escalera de dos hojas
- Balde
- Nivel
- Carro Manual para Electrodomésticos
- Cortatubos
- Llave de tuercas de 7/16"
- Destornillador Phillips nº2
- Taladro y brocas apropiadas
- Enchufe de 5/16", 7/16"
- Gafas de seguridad
- Llave de tuercas de 1 ¼"
- Pinzas
- Trinquete de 1/4"

MATERIALES SUMINISTRADOS

- Tapón del bypass del filtro de agua
- Soportes anti volcaduras
- Tuerca y abrazadera de refuerzo de 1/4"

MATERIALES REQUERIDOS

- Soporte anti volcaduras de 2 x 4 de 35" de longitud
- Tubería de cobre para suministro de agua de ¼" o kits de Tuberías para Refrigerator SmartConnect™.
- Válvula de cierre de agua
- Paneles a medida para la puerta de comidas frescas, el cajón del freezer y el panel de rejilla.
- Tornillos para asegurar el refrigerador a los gabinetes.
- Cintas de ajuste de velcro para paneles laterales de 1/4" (0.63 cm)

PISO

Para una instalación correcta, el refrigerador se deberá ubicar en una superficie nivelada de material duro que posea la misma altura en el resto del piso. Esta superficie deberá ser lo suficientemente fuerte como para resistir el peso de un refrigerador totalmente cargado o aproximadamente 1200 libras (544.31 kg).

NOTA: Proteja el acabado del piso. Corte una sección amplia de cartón y coloque la misma debajo del refrigerador donde se encuentra trabajando.

CONEXIÓN A TIERRA DEL REFRIGERADOR

⚠ ADVERTENCIA Riesgo de Descarga Eléctrica

Si no se siguen estas instrucciones, se podrá producir la muerte, incendios o descargas eléctricas.

El cable de corriente de este electrodoméstico cuenta con un enchufe de 3 cables (conexión a tierra) que se conecta a un tomacorriente de pared estándar de 3 cables (conexión a tierra) para minimizar el riesgo de posibles descargas eléctricas por parte del mismo.

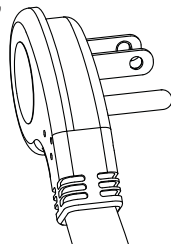
Contrate a un electricista calificado para que controle el tomacorriente y el circuito eléctrico, a fin de asegurar que el enchufe esté correctamente conectado a tierra.

En caso de contar con un tomacorriente de pared de 2 cables, es su responsabilidad y obligación reemplazarlo por un tomacorriente de pared de 3 cables correctamente conectado a tierra.

NUNCA, BAJO NINGUNA CIRCUNSTANCIA, CORTE NI ELIMINE EL TERCER CABLE (TIERRA) DEL CABLE DE CORRIENTE.

NO USE UN ENCHUFE ADAPTADOR PARA CONECTAR EL REFRIGERADOR A UN TOMACORRIENTE DE 2 PATAS.

NO USE UN PROLONGADOR CON ESTE ELECTRODOMÉSTICO.



PASO 1 RETIRE EL EMBALAJE

⚠ ADVERTENCIA Riesgo de Caídas

El refrigerador es mucho más pesado en su parte superior que en su parte inferior – tenga cuidado al moverlo. Al usar un carro manual, sosténgalo de costado únicamente.

- De forma cuidadosa, corte las bandas en la parte superior e inferior, y retire el cartón externo.

- Deslice hacia afuera los postes de las esquinas traseras (2).
- Deslice el cartón fuera de la parte superior del gabinete.

NOTA: ¡NO ES NECESARIO APOYAR EL GABINETE PARA RETIRAR EL ANTIDESLIZANTE!

- La unidad se encuentra asegurada al antideslizante por 4 cintas de amarre ranuradas. Retire los seis tornillos de 7/16" de los canales de la base en los amarres.

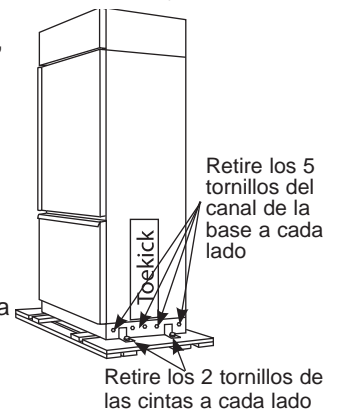
- Retire los seis tornillos de 7/16" que aseguran las cintas al antideslizante.

NOTA: NO INTENTE HACER RODAR LA UNIDAD FUERA DEL ANTIDESLIZANTE.

- Los bloques de soporte de la parte inferior de la carcasa de refrigeración deberán ser retirados antes de que el refrigerador sea retirado del antideslizante, ya que de otro modo se podrán producir daños. De forma cuidadosa, incline el refrigerador y deslice los bloques hacia afuera desde abajo.

- Retire el zócalo y guarde el mismo para la instalación final.

- Levante el refrigerador fuera del antideslizante con un carro para electrodomésticos. Sostenga el electrodoméstico de los costados.



Instrucciones de instalación - Instalación de Acero Inoxidable

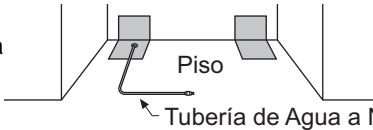
PASO 2 INSTALE EL SUMINISTRO DE AGUA

⚠ADVERTENCIA Realice la conexión a un suministro de agua potable únicamente. Se requiere un suministro de agua fría para el funcionamiento de la máquina de hielos automática y de la jarra de llenado automático. La presión del agua deberá estar entre 40 y 120 p.s.i. (275 – 827 kPa).

⚠ADVERTENCIA  PELIGRO DE DESCARGA ELÉCTRICA

Adhiera la abrazadera de la tubería usando el agujero existente únicamente. NO perforo el refrigerador.

- Se requiere un suministro de agua fría para el funcionamiento de la máquina de hielo automática. La presión del agua deberá ser de entre 40 y 120 p.s.i. (275-827 kPa).
- Haga circular una tubería de cobre con un diámetro externo de 1/4" o una tubería de plástico SmartConnect™ entre la tubería de agua fría del hogar y la ubicación de la conexión de agua.
- La tubería deberá ser de una extensión suficiente como para llegar hasta el frente del refrigerador. Deje una cantidad de tubería suficiente como para hacer una inclinación que llegue hasta la conexión de la tubería de agua.



NOTA: La única tubería de plástico aprobada por Monogram es suministrada en los Kits de Tuberías para Refrigerador de SmartConnect™. No use ninguna otra tubería de suministro de agua plástica, ya que la tubería se encuentra bajo presión en todo momento. Otros tipos de plásticos podrán sufrir fisuras o roturas con el paso del tiempo y ocasionar problemas con el agua en su hogar.

Los Kits de Tuberías para Refrigerador de SmartConnect™ están disponibles en las siguientes longitudes:

- 2' (.6 m) - WX08X10002
- 8' (2.4 m) - WX08X10006
- 15' (4.6 m) - WX08X1 0015
- 25' (7.6 m) - WX08X10025

Cierre el suministro principal de agua.

Abra el grifo más cercano durante un tiempo suficiente como para despejar la tubería de agua.

- Instale una válvula de cierre entre la válvula de agua de la máquina de hielo y la tubería de agua fría en un punto bajo o en un gabinete. La válvula de cierre deberá ser ubicada donde sea de fácil acceso.
- Abra el suministro de agua principal y deje correr la suciedad. Deje correr aproximadamente un cuarto de galón de agua a través de la tubería a un balde. Cierre el suministro de agua desde la válvula de cierre.

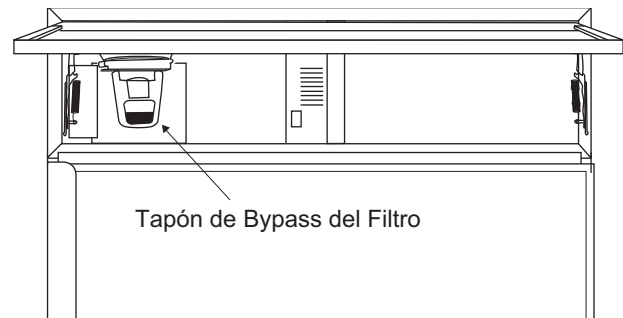
NOTA: Muchos kits de suministro de agua incluyen válvulas de cierre tipo montura, pero no se recomiendan para esta aplicación.

NOTA: Se deberá cumplir con los Códigos de Plomería del Commonwealth de Massachusetts 248CMR. Las válvulas tipo montura son ilegales y su uso está prohibido en Massachusetts. Consulte a un plomero matriculado.

PASO 2A INSTALACIÓN DE LA TUBERÍA DE AGUA CON SISTEMA DE ÓSMOSIS INVERSA U OTRO SISTEMA DE FILTRACIÓN HOGAREÑO

Saltee este paso si no usará un sistema RO u otro sistema de filtración hogareño.

Si el suministro de agua al refrigerador es desde un sistema de filtración hogareño, utilice el tapón del bypass del filtro del refrigerador. El uso del cartucho de filtración de agua del refrigerador junto con el filtro RO podrá producir cubos de hielo huecos.



PASO 3 INSTALE LOS PANELES LATERALES

Saltee este paso cuando no use los paneles laterales.

Si usará paneles laterales de 1/4" (0.63), deberán ser insertados en el marco de la carcasa. Ajuste los paneles al refrigerador con cintas de sujeción de velcro, antes de establecer el refrigerador en su posición.

Installation Instructions - Stainless Steel Installation

PASO 4 PROCEDIMIENTO ANTI-VOLCADURAS

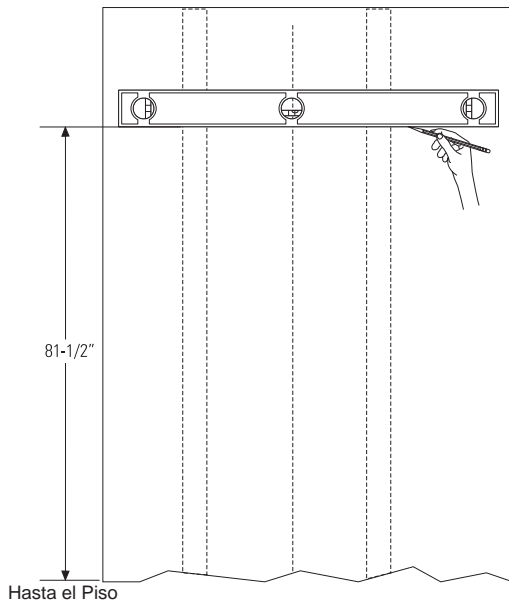
⚠ ADVERTENCIA



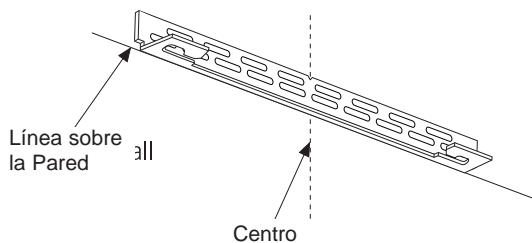
Riesgo de Caídas

Estos refrigeradores son inestables, especialmente cuando una puerta se encuentre abierta, y deberán estar asegurados a fin de evitar caídas hacia adelante que podrían resultar en la muerte o en lesiones graves. Lea y siga las instrucciones de instalación en su totalidad para asegurar el refrigerador con el sistema anti volcaduras.

- El kit suministrado con la unidad cuenta con 2 tornillos tirafondo y tornillos con resortes. El soporte de pared será adherido a la pared en 4 posiciones.

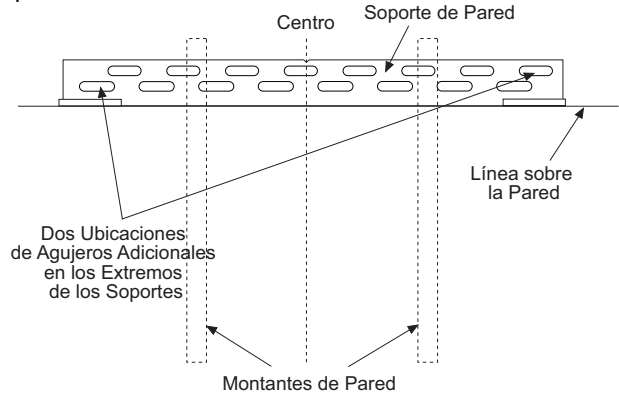


- Mida la abertura donde la unidad será instalada. Marque el centro con una línea vertical.
- Mida 81 1/2" (207.01 cm) desde el piso. Marque este punto sobre la pared.
- Con un nivel, dibuje una línea horizontal sobre la pared a esta altura.
- Ubique por lo menos 2 montajes en la pared trasera. Marque estos puntos sobre la línea horizontal.
- Coloque la parte inferior del soporte de pared con las lengüetas en la línea horizontal. Alinee la abertura central sobre el soporte con la línea central sobre la pared.



- El soporte de pared anti volcaduras cuenta con una serie de agujeros. Seleccione 2 agujeros que coincidan con los montajes ubicados. Asegúrese de que los agujeros seleccionados se encuentren en el centro de los montajes. Marque la pared en estos puntos.

- Marque un agujero adicional en cada extremo del soporte. Si uno de los montajes se encuentra más cerca del extremo del soporte, marque un agujero adicional hacia el centro del soporte.

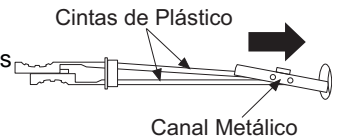


- Realice agujeros de 1/2" (1.27 cm) en el tablero de pared, en las ubicaciones marcadas para el montaje de los resortes (no las marcas de los montajes).
- Realice agujeros de 3/16" (0.47 cm) en los montajes de madera donde se realizaron las marcas. Si se trata de una construcción de montajes de acero, realice agujeros de 1/2" en los montajes donde se realizaron las marcas. Se deberán usar 2 resortes con los montajes metálicos.

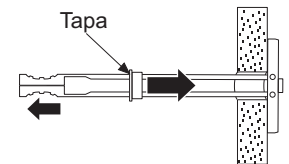
Instale los Resortes de Pared:

Los resortes de pared y los tornillos pueden ser ordenados como el Kit de Servicio n° WR49X10193. Los tornillos con resortes de pared se instalan sobre el panel de yeso y los montajes metálicos para lograr estabilidad. Instale los tornillos con resortes de pared del siguiente modo:

- Realice agujeros de 1/2" (1.27 cm) sobre las marcas de la pared realizadas en los agujeros sobre los extremos del soporte de pared.

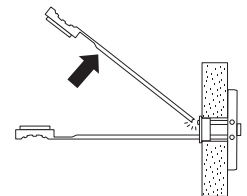


- Sostenga el canal metálico de forma plana contra las cintas de plástico y deslice el canal a través del agujero.



- De forma suave, empuje hacia atrás sobre los extremos de las cintas de plástico para hacer que el canal descansa de forma nivelada detrás de la pared.

- Sostenga los extremos de las tiras con una mano y deslice la tapa de plástico a lo largo de las cintas, hasta que el reborde de la tapa quede nivelado con la pared.



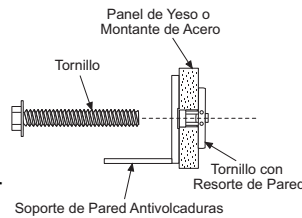
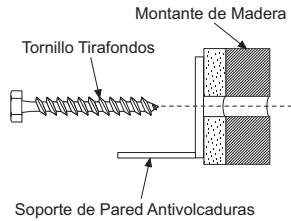
- Coloque el pulgar entre las cintas de plástico e incline las mismas hacia arriba y abajo para desenganchar las mismas de la pared.

Installation Instructions - Stainless Steel Installation

PASO 4 PROCEDIMIENTO ANTI-VOLCADURAS (Cont)

Instale los Tornillos y Pernos:

- Solicite a alguien que sostenga el soporte de pared centrado en su posición con cada uno de los agujeros alineados con la abertura correcta en el soporte y realice la nivelación con la línea horizontal.
- Inserte los tornillos tirafondo a través del soporte y en el montante. Ajuste con una llave.



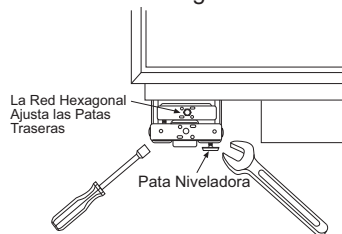
CONECTE EL CABLE DE CORRIENTE:

- Antes de empujar el refrigerador hasta la abertura, enchufe el cable de corriente en el receptáculo. Abra el panel con la rejilla sobre la izquierda y alcance la abertura en la parte trasera para tomar el cable de corriente. Empuje el cable de corriente sobre la abertura a medida que empuja el refrigerador hacia atrás.
- De forma suave, empuje el refrigerador sobre la abertura con las manos contra las esquinas frontales.

PASO 5 NIVELE EL REFRIGERADOR

Todos los modelos cuentan con 4 puntos de nivelación. La parte frontal está apoyada sobre patas niveladoras; la parte trasera está apoyada sobre ruedas ajustables. Es posible acceder a ambas desde la parte frontal del refrigerador.

- A fin de nivelar la parte trasera del refrigerador, gire la tuerca hexagonal de 7/16" que se encuentra ubicada sobre las ruedas frontales. Gire en dirección horaria para elevar el refrigerador, y en dirección antihoraria para bajar el mismo.

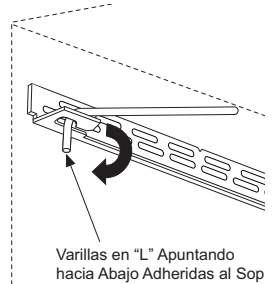


- Para nivelar la parte frontal, use una llave de boca de 1 1/4" (3.175 cm).
- Ajuste la altura del refrigerador para que coincida con la abertura del espacio libre de la instalación de 83 1/2" (212.09 cm) a 84 1/2" (214.63 cm). El refrigerador deberá estar nivelado y correctamente instalado entre los muebles de cocina.

Las ruedas niveladoras traseras y las patas niveladoras frontales cuentan con un límite de ajuste de altura máxima de 1". Si en la instalación se requiere una altura superior a 84 1/2" (214.63 cm), el instalador deberá elevar el refrigerador sobre una lámina de contrachapado o correderas. También se podrá agregar un marco para gabinetes a través de la parte superior de la abertura, a fin de acortar esta última. Si intenta elevar el refrigerador más de 1" (2.54 cm), dañará las patas niveladoras frontales y las ruedas niveladoras traseras.

PASO 6 ASEGURE LA UNIDAD A LA PARED

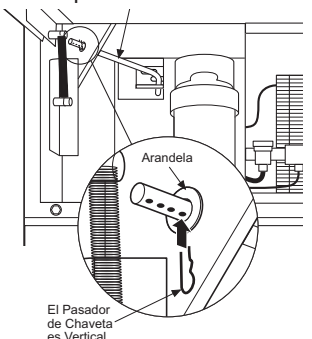
- La varilla en "L" se podrá encontrar en la esquina superior izquierda de la unidad, en el compartimiento de acceso. Observe el compartimiento de acceso para asegurarse de que la varilla esté alineada con el soporte anti volcaduras.
- Hay 2 arandelas y un pasador de chaveta por varilla. Retire las arandelas y el pasador de chaveta del extremo de la varilla.
- Gire y mueva la varilla en "L" en la ranura de la lengüeta del soporte anti volcaduras. Una vez que se encuentre en la ranura, gire la varilla en "L" de modo que la parte del gancho apunte hacia abajo. Los agujeros del extremo frontal de la varilla se deberán encontrar en posición vertical.



- Empuje hacia afuera el extremo de la varilla para constatar que esté bien asegurada al soporte.
- Ubique el agujero de la varilla que se encuentre más cerca de la unidad. Se deberá colocar un pasador de chaveta a través de este agujero para asegurar la varilla. Si este agujero parece estar demasiado alejado para un ajuste perfecto contra la unidad, agregue las arandelas una por vez hasta que el perno calce de forma ajustada en el agujero.
- Alinee la sección recta del perno con el agujero del lado inferior de la varilla. Empuje el perno hacia arriba hasta que calce en su posición. Se podrán usar pinzas.

NOTA: El pasador de chaveta deberá estar vertical cuando este paso sea completado, a fin de asegurar que la varilla en "L" esté adherida al soporte.

- Controle que la varilla se encuentre ajustada empujando hacia adelante. Si la varilla se mueve, retire el pasador de chaveta y coloque otra arandela en la varilla. Vuelva a insertar el perno.

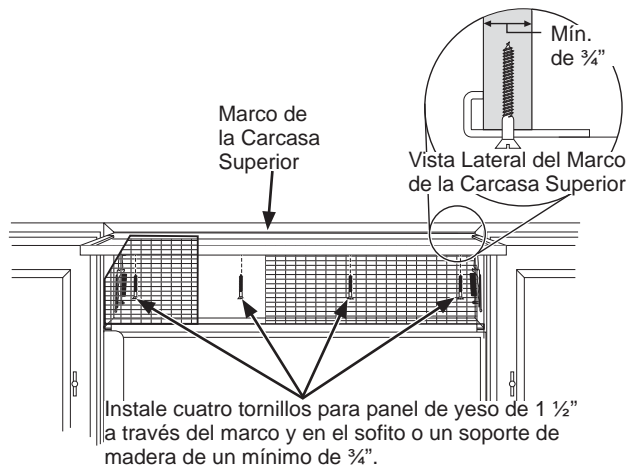


Installation Instructions - Stainless Steel Installation

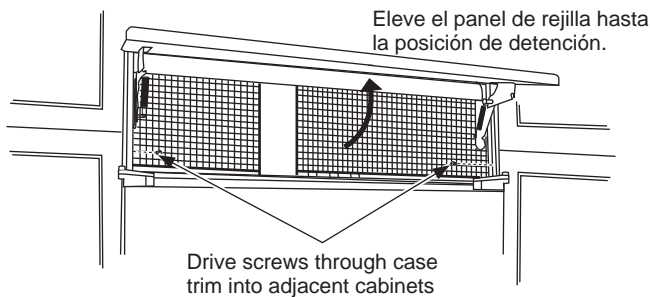
PASO 7 PROCEDIMIENTO ANTI-VOLCADURAS ALTERNATIVO

El refrigerador deberá quedar asegurado a fin de evitar volcaduras. Si no es posible usar el soporte anti volcaduras, se podrá usar este método alternativo para evitar que el refrigerador sufra una caída.

- Eleve el panel de rejilla para acceder al marco de la carcasa.
- Use una broca de 1/16" para perforar cuatro agujeros en el espacio libre espaciado de forma pareja a través del marco de la carcasa metálica superior.



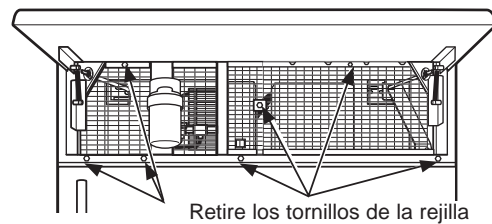
- Instale cuatro tornillos para panel de yeso de 1 1/2" a través del marco y en el soffito o un soporte de madera de un mínimo de 3/4".
- Use una broca de 1/16" para perforar agujeros piloto a través de los agujeros metálicos en el espacio libre y en el soffito de madera. Los agujeros deberán estar centrados en el soffito o en un soporte de madera de un mínimo de 3/4. El soporte que abarca el cercado deberá estar ajustado de forma segura a los gabinetes sobre ambos lados.
- Instale cuatro tornillos para panel de yeso de 1 1/2" (3.81 cm) en los agujeros piloto.
- Si no se cuenta con un soffito sobre la unidad, perfore tornillos en los gabinetes adyacentes a través del marco de la carcasa lateral.



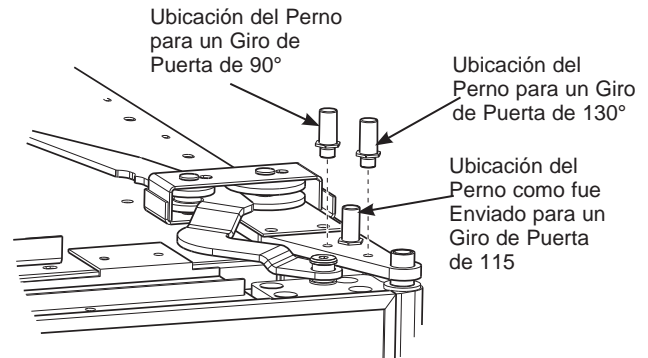
PASO 8 AJUSTE EL GIRO DE LA PUERTA

NOTA: El refrigerador cuenta con una detención de la puerta de 3 posiciones. Cuando el espacio no permita que la puerta gire completamente hasta los 115°, podrá cambiar el giro de puerta a una apertura de 90°. Un giro de puerta de 130° está disponible para la instalación estándar únicamente. Si se usa para una instalación nivelada, se dañarán los paneles de madera. **Si la apertura de la puerta es satisfactoria para su situación durante la instalación, saltee este paso.**

- Levante el panel de rejilla para acceder al marco de la tapa de cables.
- Retire los tornillos que se encuentran a ambos lados del marco de la tapa de cables y gire hacia afuera.



- Use una pinza para desenroscar la detención de la puerta y vuelva a instalar la misma en una posición de 90° o 130°.
- Vuelva a instalar el marco de la tapa de cables.



PASO 9 REALICE LA CONEXIÓN AL SUMINISTRO DE AGUA

⚠ADVERTENCIA Realice la conexión a un suministro de agua potable únicamente. Se requiere un suministro de agua fría para el funcionamiento de la máquina de hielos automática y de la jarra de llenado automático. La presión del agua deberá estar entre 40 y 120 p.s.i. (275 – 827 kPa).

⚠ADVERTENCIA PELIGRO DE DESCARGA ELÉCTRICA

Adhiera la abrazadera de la tubería usando el agujero existente únicamente. NO perfore el refrigerador.

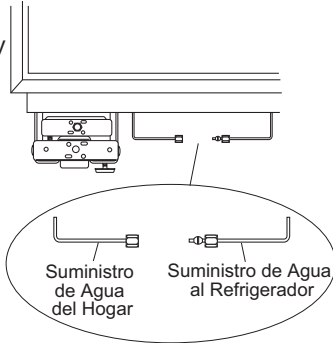
- Encuentre y traiga la tubería al frente del gabinete.
- Abra y deje correr el agua a fin de eliminar desechos del suministro. Deje correr alrededor de un cuarto de galón de agua por la tubería a un balde; luego cierre el suministro de agua.

Installation Instructions - Stainless Steel Installation

PASO 9 REALICE LA CONEXIÓN AL SUMINISTRO DE AGUA (Cont.)

Tubería de Cobre:

- Coloque una tuerca de 1/4" y una abrazadera de refuerzo (provista) sobre ambos extremos de la tubería de cobre. Inserte la tubería en la unión con la unidad y ajuste la tuerca a la unión.
- Abra el suministro de agua para controlar que no haya pérdidas.



Tubería SmartConnect™:

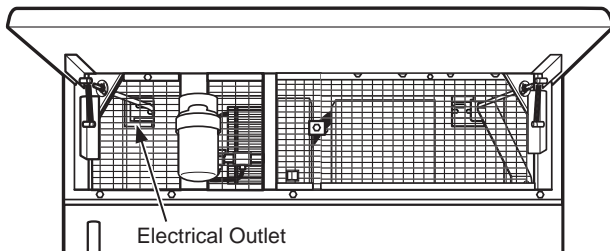
NOTA: La única tubería de plástico aprobada por Monogram es suministrada en los Kits de Tuberías para Refrigerador de SmartConnect™. No use ninguna otra tubería de suministro de agua plástica, ya que la tubería se encuentra bajo presión en todo momento. Otros tipos de plásticos podrán sufrir fisuras o roturas con el paso del tiempo y ocasionar problemas con el agua en su hogar.

- Inserte el extremo moldeado de la tubería en la conexión del refrigerador. Ajuste la tuerca de compresión hasta que quede fijada sólo con la presión manual.
- Realice un ajuste adicional con un giro de llave. ¡Un ajuste excesivo podrá ocasionar pérdidas!
- Abra el suministro de agua para controlar que no haya pérdidas.

NOTA: Asegúrese de que un exceso de la longitud de la tubería no interfiera con el cierre del cajón o con la instalación del zócalo.

PASO 10 CONECTE LA CORRIENTE

- Asegúrese de que el cable de corriente esté enchufado en el receptáculo.



- Asegúrese de que la corriente que va al refrigerador está activada, abriendo la puerta del refrigerador para ver si las luces interiores están encendidas.
- Los controles de temperatura están preconfigurados en 37°F (2.78°C) para la sección de comidas frescas y en 0°F (-17.78°C) para el freezer.
- Permita que se establezca durante 24 horas antes de realizar ajustes.

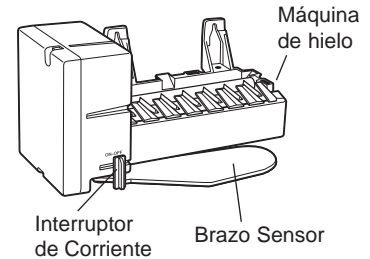
PASO 11 ENCIENDA LA MÁQUINA DE HIELO

⚠ ADVERTENCIA Realice la conexión a un suministro de agua potable únicamente. Se requiere un suministro de agua fría para el funcionamiento de la máquina de hielos automática y de la jarra de llenado automático. La presión del agua deberá estar entre 40 y 120 p.s.i. (275 – 827 kPa).

⚠ ADVERTENCIA PELIGRO DE DESCARGA ELÉCTRICA

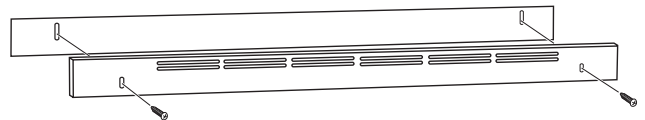
Adhiera la abrazadera de la tubería usando el agujero existente únicamente. NO perforo el refrigerador.

- La máquina de hielo comenzará a funcionar automáticamente.
- Asegúrese de que nada interfiera con la extensión del interruptor de energía.
- Descarte el primer balde lleno de cubos de hielo.
- Para apagar la máquina de hielo, deslice el interruptor a OFF (Apagado).



PASO 12 INSTALE EL ZÓCALO

- Ubique los zócalos suministrados (encintados en el embalaje al costado del refrigerador). Instale el ensamble del zócalo con los 2 tornillos provistos, ajuste hasta la altura deseada y ajuste los tornillos.



IMPORTANTE: Se podrá instalar un zócalo a medida que coincida con o complemente los gabinetes circundantes, pero NO podrá cubrir las ranuras de ventilación horizontales del zócalo de fábrica.

Instrucciones de instalación en la página posterior.

NOTA: Al realizar las instalaciones descritas en este libro, se deberán usar anteojos o gafas de seguridad.

NOTA: Monogram se esfuerza de forma constante para mejorar sus productos. Por lo tanto, los materiales, el aspecto y las especificaciones están sujetos a cambios sin aviso previo.



MONOGRAM